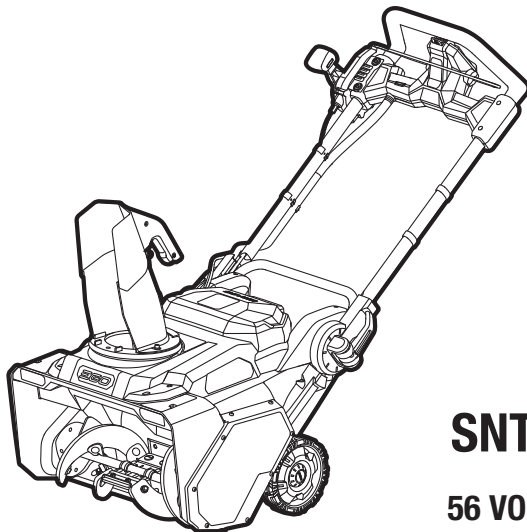


EGO™

POWER⁺ SNOW BLOWER

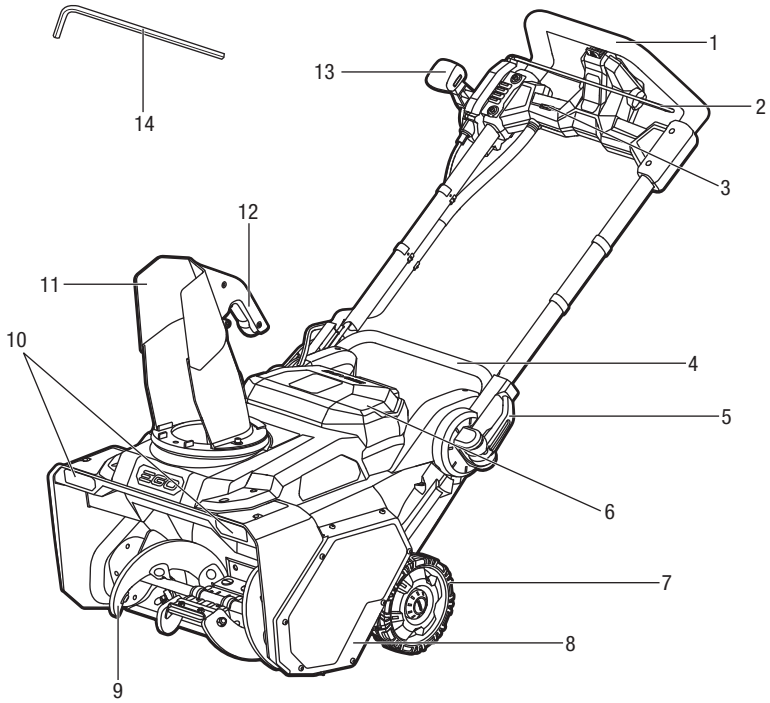


SNT2120E-AP

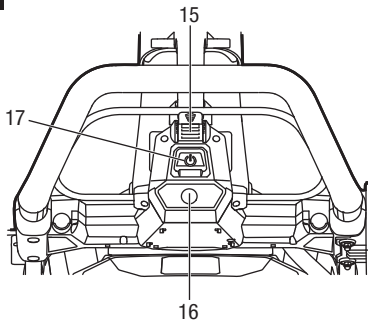
56 VOLT LITHIUM-ION CORDLESS SNOW BLOWER

EN	56 volt lithium-ion cordless snow blower	7	SL	56-voltna litij-ionska brezžična snežna freza	147
DE	Kabellose schneefräse mit 56 v lithium-ionen-akku	15	LT	Akumulatorinis sniego pūstuvus su 56 voltų ličio jonų baterija	155
FR	Fraise à neige sans fil lithium-ion 56 v	24	LV	56 voltu litija jonu bezvadu sniega pūtējs	163
ES	Soplador de nieve inalámbrico con batería de iones de litio de 56 voltios	33	GR	Ασύρματος φουσητήρας χιονίου ιοντών λιθίου 56 volt 171	171
PT	Soprador de neve sem fios de ião de lítio de 56 volts	42	TR	56 volt lityum lyan akülü kar püskürtme makinesi	180
IT	Sgombraneve cordless li-ion 56 volt	50	ET	56-voldise liitiumioonkuga juhtmeta lumepuhur	187
NL	56 volt lithium-ion snoerflose sneeuwblazer	58	UK	56-вольтний літій-іонний акумуляторний снігоочисник	194
DK	Batteridrevet sneblæser med 56 volt litium-ion-batteri	66	BG	56 волта литиево-йонна безкабелна машина за почистване на сняг	203
SE	56 volts litium-jon sladdlös snöslunga	74	HR	Bežični otpuhivač snijega s 56-voltnom litij-ionskom baterijom	212
FI	Akkukäyttöinen lumilinko 56 voltin litiumioniakulla	82	KA	56ვოლტის ლითონ-იონის უსადენო თოვლის საბერველა	219
NO	56 volt lithium-ion trådløs snøfreser	90	SR	Bežični duvač za sneg sa litijum-jonskom baterijom od 56 volti	229
RU	Беспроводной снегоочиститель с литий-ионным аккумулятором 56 в	98	BS	Bežični čistač snijega s litijum-jonskom baterijom od 56 v	236
PL	Odśnieżarka z akumulatorem litowo-jonowym 56 woltów	107	HE	מפוח שלג אלחוטי עם סוללת ליתיום-יון 56 וולט	259
CZ	56 v lithium-iontová akumulátorová sněhová fréza	116	AR	منفاخ تلح لاسلكي ببطارية الليثيوم-أيون 56 فولت	252
SK	56 v litium-iónová akumulátorová snehová fréza	123			
HU	56 voltos lítium-ion akkumulátoros hómaró	131			
RO	Sufiantă pentru zăpadă fără fir cu acumulator de litiu ion de 56 volți	139			

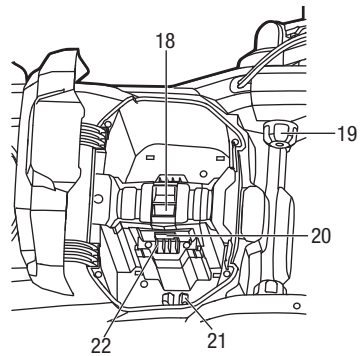
A1



A2

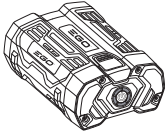


A3

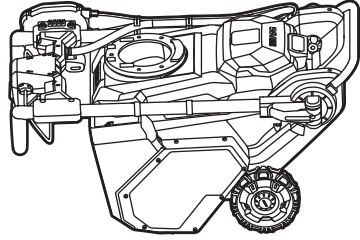
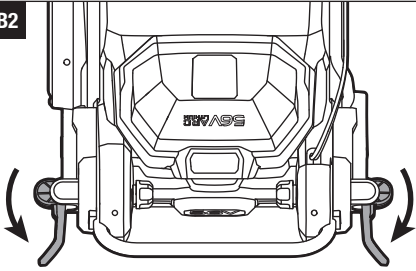
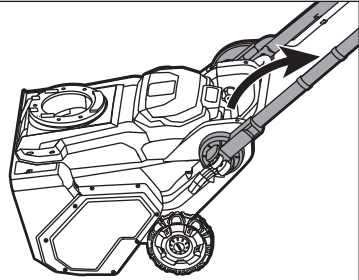
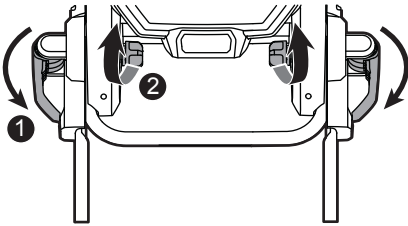
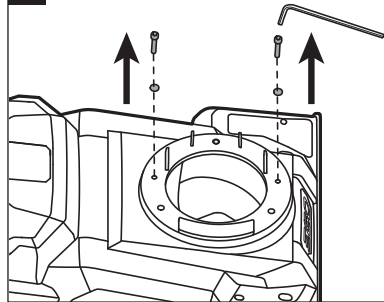
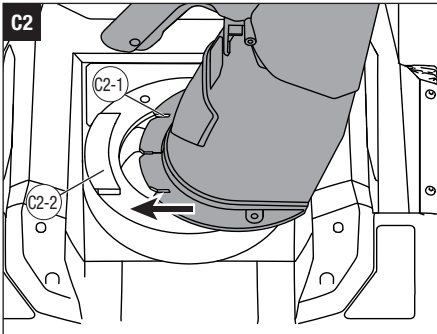
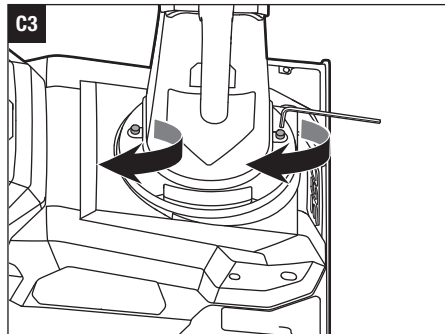


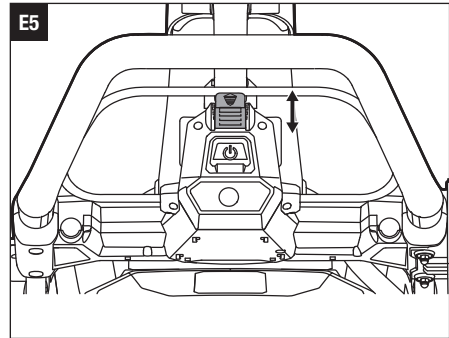
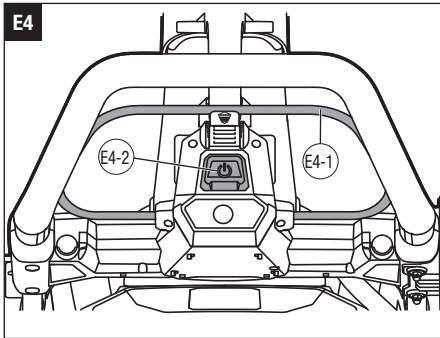
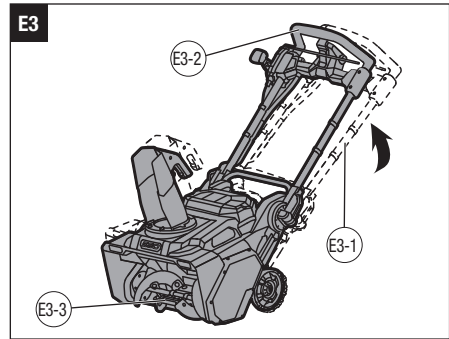
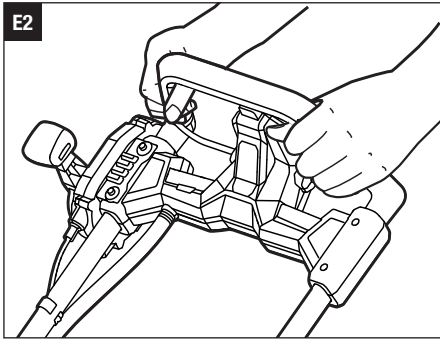
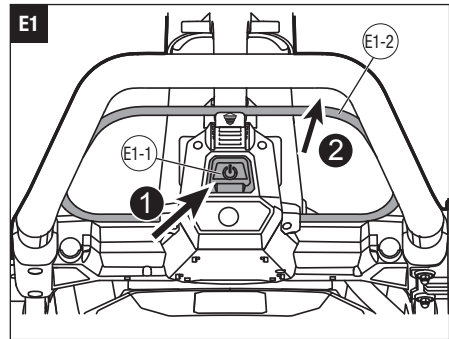
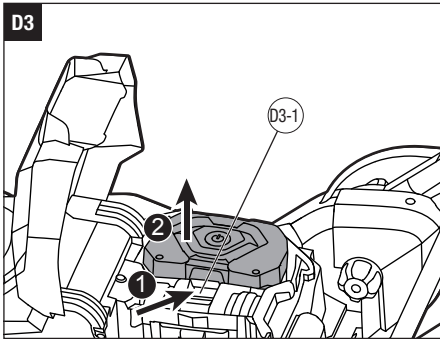
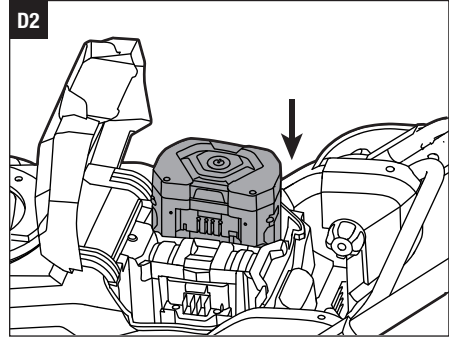
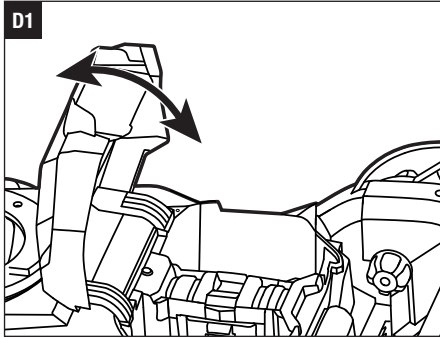
A4

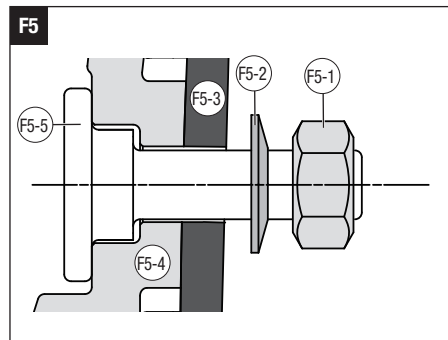
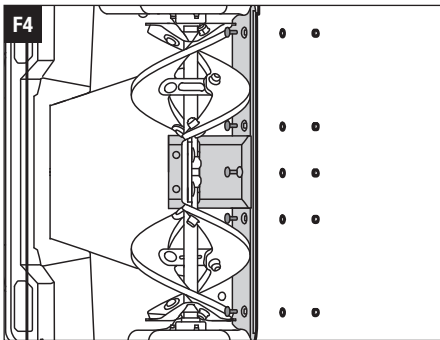
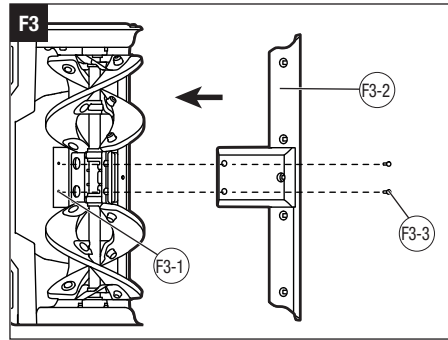
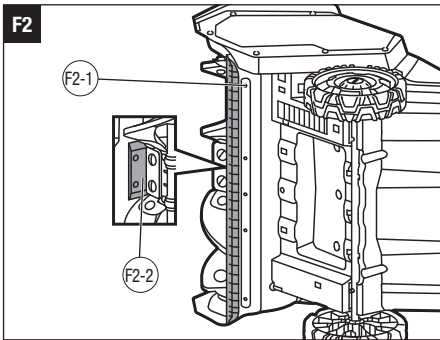
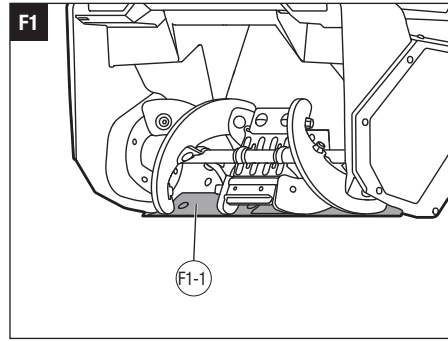
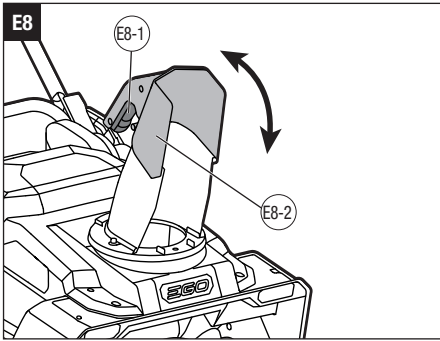
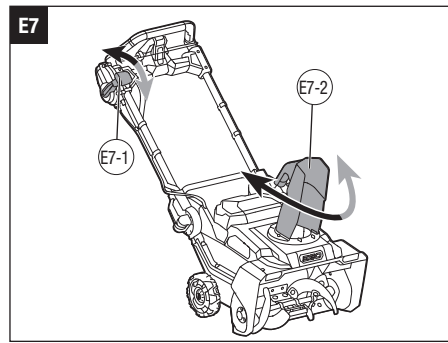
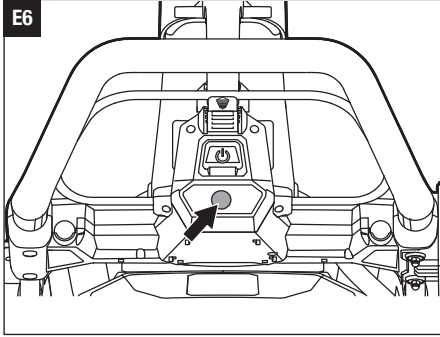
BA1400, BA1400T, BA2240T,
BA2242T, BA2800, BA2800T,
BA4200, BA4200T, BA5600T,
BA6720T, BA3360T

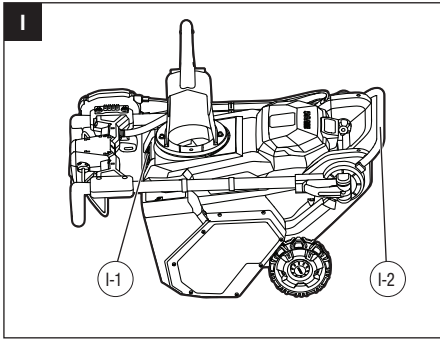
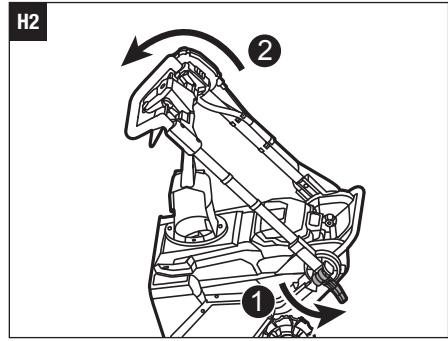
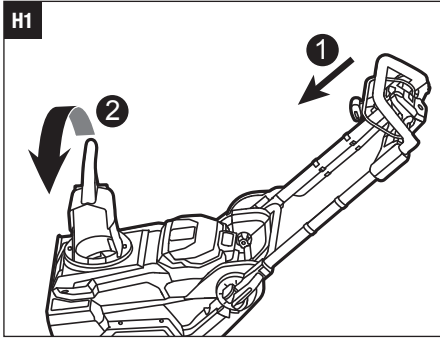
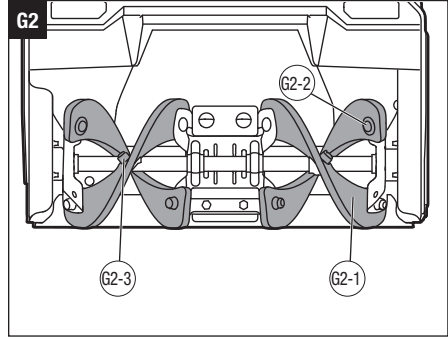
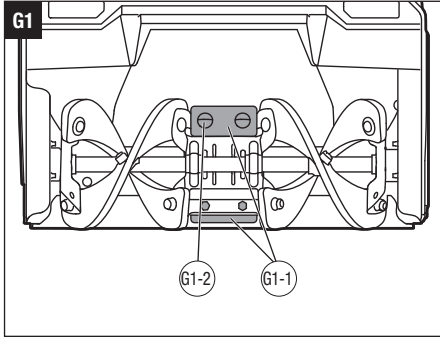


CH2100E, CH3200E,
CH5500E, CH7000E

**B1****B2****B3****B4****C1****C2****C3**







READ ALL INSTRUCTIONS!



READ OPERATOR'S MANUAL

SAFETY SYMBOL

The operation of any power tools can result in foreign objects being thrown into your eyes, which can result in severe eye damage. Before beginning power tool operation, always wear safety goggles or safety glasses with side shields and a full face shield when needed. We recommend a Wide Vision Safety Mask for use over eyeglasses or standard safety glasses with side shields.



Safety Alert



To reduce the risk of injury, user must read and understand operator's manual before using this product.



Always wear safety goggles or safety glasses with side shields and a full face shield when operating this product.



Do not use hands to unclog the chute.



CAUTION: Do not stare at operating lamp.



Keep feet & hand away



Keep feet away from rotating impeller



Guaranteed sound power level. Noise emission to the environment according to the European community's Directive.



Waste electrical products should not be disposed of with household waste. Take to an authorized recycler.



This product is in accordance with applicable EC directives.



Direct Currents



This product is in accordance with applicable UK legislation.

IPX4 Degree of protection against ingress of water

V Volt

cm Centimeters

m Meter

kg Kilogram

SPECIFICATIONS

Voltage	56 V	
Clearing Width	520 mm	
Intake Height	330 mm	
Throwing Distance	Up to 14 m	
Wheel Size	178 mm	
Recommended Operating Temperature	-20°C - 10°C	
Storage Temperature	-20°C - 70°C	
Weight (without battery pack)	27 kg	
Measured sound power level L_{WA}	96 dB(A) K=1.8 dB(A)	
Sound pressure level at operator's ear L_{PA}	80 dB(A) K=4 dB(A)	
Guaranteed sound power level L_{WA} (measured according to 2000/14/EC)	98 dB(A)	
Valuation of vibration $a_{h,r}$:	Left handle	1.3 m/s ² K=1.5 m/s ²
	Right handle	1.3 m/s ² K=1.5 m/s ²

- The declared vibration total value has been measured in accordance with a standard test method and may be used for comparing one tool with another;
- The declared vibration total value may also be used in a preliminary assessment of exposure.

NOTICE: The vibration emission during actual use of the power tool can differ from the declared value in which the tool is used; In order to protect the operator, user should wear gloves and ear protectors in the actual conditions of use.

RECOMMENDED ACCESSORIES

⚠ WARNING: The following parts are subject to be worn out from normal use. Use only identical replacement parts listed below. Use of parts that do not meet the original equipment specifications may lead to improper performance and compromised safety.

PART NAME	MODEL NUMBER
Rubber Paddle and Rubber Auger Set	ARP2120
Scraper Bar	ASS2120

DESCRIPTION

KNOW YOUR SNOW BLOWER (Fig. A1 – A3)

1. Main Handle
2. Bail Switch (Switch Lever)
3. Power Indicator
4. Lift Handle
5. Quick-Release Lever
6. Battery Compartment Cover
7. Wheel (x2)
8. Drive-Belt Cover
9. Auger Assembly
10. LED Headlights
11. Chute Deflector
12. Chute-Deflector Handle
13. Chute-Rotation Handle
14. Hex Wrench
15. Auger-Speed Dial
16. LED Headlights Switch
17. Safety Button
18. Battery-Release Button
19. Lock Knob
20. Latch
21. Ejection Mechanism
22. Electric Contact

PACKING LIST (FIG. A1)

ASSEMBLY

UNFOLDING THE SIDE RAILS

1. Your snow blower is shipped with the side rails in the folded, locked position (Fig. B1).
2. Open the quick-release levers on both sides and gently pivot the side rails upwards until they come to a stop (Fig. B2 & B3).
3. Close the quick-release levers and then tighten the lock knobs (Fig. B4).

INSTALLING THE CHUTE

1. Use the supplied hex wrench to loosen and remove the two sets of bolts and washers in the chute base (Fig. C1).

C1-1	Chute base
------	------------

- Align the grooves of the chute with the slot on the chute base, and then push the chute in place (Fig. C2).

C2-1	Groove of the chute	C2-2	Slot on the chute base
------	---------------------	------	------------------------

- Use the supplied hex wrench to lock the chute in place with the two sets of bolts and washers (Fig. C3).

OPERATION

ATTACHING/DETACHING THE BATTERY PACK

Use only with EGO's battery packs and chargers listed in Fig. A4.

Refer to corresponding battery packs and chargers manuals for more details.

Fully charge before first use.

- Raise the battery compartment cover by lifting the front of the cover (Fig. D1).
- To attach**, Align the battery ribs with the mounting slots in one and press the battery pack down until you hear a "click". Attach the other battery. (Fig. D2)
- To detach**, depress the battery-release button and pull the battery pack out (Fig. D3).

D3-1	Battery-release button
------	------------------------

- Close the battery compartment cover.

STARTING/STOPPING THE SNOW BLOWER

NOTICE: Do not rapidly turn the snow blower off and on.

To Start the Snow Blower

- Attach the battery pack(s) to the snow blower and close the battery cover.
- Power the snow blower ON by depressing the safety button.
- With the safety button depressed, pull the bail switch upward to meet the main handle (Fig. E1).

E1-1	Safety button	E1-2	Bail switch
------	---------------	------	-------------

- Once the auger starts, release the safety button and begin operation (Fig. E2).
- To advance forward**, lift the main handle to allow the auger assembly to contact the ground (Fig. E3). The auger traction will assist in moving the snow blower forward.

E3-1	Normal operating position	E3-2	Auger Propelled Position
E3-3	Auger assembly contacting ground		

NOTICE: The snow blower may not properly start if its battery temperature is -20°C or less. If unit doesn't start, remove the battery from the snow blower and allow it to warm indoors for 10 minutes or longer. Reinstall the battery and try again.

To Stop the Snow Blower

- Fully release the bail switch (Fig. E4).

E4-1	Safety button (Fully released)	E4-2	Bail switch (Fully released)
------	--------------------------------	------	------------------------------

- The electric brake in the Automatic Braking Mechanism will stop the auger rotation after the bail switch is released.

Variable-Auger-Speed System (Fig. E5)

- To increase the auger speed, move the auger-speed dial away from the operator.
- To decrease the speed, move the auger-speed dial towards the operator.

LED headlights (Fig. E6)

- To turn on the headlights, press the LED headlights switch. The headlights provide bright light in front of the snow blower.
- To turn off the headlights, press the LED headlights switch again.

NOTE: The LED headlights will turn off automatically when the snow blower is inactive for 5 minutes to preserve the battery charge.

ADJUSTING THE CHUTE

The **direction** of snow removal can be adjusted up to 180° (Fig. E7).

E7-1	Chute-rotation handle	E7-2	Chute
------	-----------------------	------	-------

- Push the chute-rotation handle forward to rotate the chute to the left.
- Pull the chute-rotation handle backward to rotate the chute to the right.



EN

The **throwing distance** of the snow blower is determined in part by the incline angle of the chute deflector (Fig. E8).

E8-1	Trigger	E8-2	Chute deflector
------	---------	------	-----------------

- To increase the distance that the snow thrown, squeeze the trigger on the chute- deflector handle, and then raise the chute deflector. Release the trigger on the chute-deflector handle to lock the chute deflector in place.
- To decrease the distance that the snow is thrown, simply lower the deflector with the chute-deflector handle.

CLEARING A CLOGGED CHUTE

- Shut the motor and auger off!
- Remove the battery pack(s) from the snow blower.
- Wait until the auger has stopped rotating.
- Always use a clean-out tool, such as a wooden rod or other clearing tools that are commercially available; do not use your hand.

POWER INDICATOR ON THE SNOW BLOWER

The power indicator will illuminate only when the snow blower is started.

POWER INDICATOR	MEANING	ACTION
Flashing green	Safety button is depressed and the snow blower is powered on and ready to work. Each inserted battery pack has at least 15% of its charge.	n/a
Shining green	Snow blower is working properly and each battery has at least 15% of its charge.	n/a
Flashing red	Battery pack(s) charge level is low. The auger does not turn, but the LED headlights could be on for a short while.	Stop the snow blower and charge the battery pack(s).

Shining orange	The snow blower is overheated.	Stop the snow blower and wait for some time to cool the machine.
Flashing orange	The snow blower is overloaded.	Remove the battery pack(s). Check and clear any snow that has collected beneath or is lodged in the auger. Slow down your pace or decrease the width of the snow-clearing swath when working.
Flashing red and green alternately	Communication fault.	Contact EGO service center for repair.
No indication	If the LED indicator on one or both battery packs flashes orange or shines red, the battery pack(s) is overheated.	Stop the snow blower and allow the battery pack to cool down.
	Other faults: switch, light, etc.	Contact EGO service center for repair.

SNOW BLOWER OVERLOAD PROTECTION

To prevent overload conditions, do not try to remove too much snow at one time. Slow down your pace or decrease the width of the snow-clearing swath.

Your snow blower has built-in overload-sensing elements. When the snow blower is overloaded, the motor will decrease the speed automatically and you will hear the noise level of the motor decrease. In case of overload, slow down your pace or narrow the clearing width, after which the motor speed will resume its normal setting automatically. If this remedy does not solve the overload situation, the sensor will shut off the motor automatically and the power indicator will flash orange. Remove the battery pack(s) from the snow blower. Check to see if there is snow or ice stuck in the auger and deck and use a clean-out tool to clear them out as necessary. Reinstall the battery pack(s) and restart the snow blower.

BATTERY HIGH-TEMPERATURE PROTECTION

If the battery temperature exceeds 70°C during operation, the temperature- protection circuit will immediately shut off the snow blower to protect the battery packs from overheating damage. The power indicator on the snow blower will be off and the LED indicator on the battery pack will flash orange or shine red. Please refer to the “**BATTERY PROTECTION**” section in battery operator’s manual for more about the LED indicator on the battery pack.

Release the bail switch and wait until the overheated battery pack(s) cool down and the light on the battery LED indicator turns green, then restart the snow blower.

To prevent shut off due to battery high-temperature protection, don’t try to use a single battery to power the snow blower when the depth of the accumulated snow exceeds 76 mm or when the snow is very wet or icy. We recommend the use of two batteries working simultaneously. This is helpful in attaining the peak power of the snow blower.

After high-temperature protection has occurred, slow down your pace and narrow the width of the snow-clearing swath to reduce the load on the battery.

MAINTENANCE

⚠ WARNING: Make sure to turn off the unit and remove the battery pack(s) before performing any maintenance task on your snow blower.

GENERAL MAINTENANCE

Avoid using solvents when cleaning plastic parts. Most plastics are susceptible to damage from various types of commercial solvents and may be damaged by their use. Use clean cloths to remove dirt, dust, oil, grease, etc.

LUBRICATING THE MACHINE

All of the bearings in this product are lubricated with an amount of high grade lubricant sufficient for the life of the unit under normal operating conditions. Therefore, no further bearing lubrication is required.

REPLACING THE SCRAPER BAR

Required tools (not included):

- 8 mm open-end wrench
- T20 Torx screwdriver

1. The scraper bar is located at the bottom of the snow blower deck, beneath the auger (Fig. F1).

F1-1	Scraper bar
------	-------------

2. Turn the snow blower on its side (Fig. F2).
3. Wear gloves. Remove the 5 sets of nuts, spring washers, and bolts from the outside and remove the 2 Torx screws from the inside. Detach the worn scraper bar (Fig. F2).

F2-1	Outside nut (x5)	F2-2	Torx screw (x2)
------	------------------	------	-----------------

4. Attach the new scraper bar and insert the 2 Torx screws (Fig. F3).

F3-1	Inside hole (x2)	F3-2	Scraper bar (shiny surface facing inside)
F3-3	Torx screw (x2)		

5. Insert the 5 bolts and tighten with spring washers and nuts (Fig. F4 & F5).

F5-1	Nut	F5-2	Spring washer
F5-3	Deck	F5-4	Scraper bar
F5-5	Bolt		

REPLACING THE RUBBER PADDLES & RUBBER AUGERS

To replace the rubber paddles: (Fig. G1)

G1-1	Rubber paddles	G1-2	2 sets of bolts and nuts on each paddle (total of 4 sets)
------	----------------	------	---

Required tools (not included):

- Flat head screwdriver
- 10 mm open-end wrench

1. Wear gloves. Manually rotate the steel auger to the appropriate position for easy rubber paddle disassembly.
2. Remove all securing bolts and nuts to take the rubber paddles out.
3. Replace them with the new rubber paddles, and securely tighten them.

To replace the rubber augers (Fig. G2)

G2-1	Rubber auger (x4)	G2-2	1 set of bolt, washer and nut on each auger (total of 4 sets)
G2-3	2 sets of bolts and nuts on each auger (total of 8 sets)		

Required tools:

- 13 mm open-end wrench (not included)
 - 5 mm hex wrench (supplied)
1. Wear gloves. Manually rotate the steel auger to the appropriate position for easy rubber auger disassembly.
 2. Remove all securing bolts and nuts to take the rubber augers out.
 3. Replace them with the new rubber augers, and securely tighten them.

STORING THE SNOW BLOWER

- Remove the battery pack(s) and store in a secure location out of the reach of children.

Before storage, wipe any moisture, dirt, or debris from and around the battery compartment.

- Wipe the snow blower with a clean dry cloth.
- Check all nuts, bolts, knobs, screws, etc., for tightness.
- Inspect moving parts for damage, breakage, and wear. Have repairs made on any damaged or missing parts.
- Fold the side rails to the storage position.
- Store the snow blower in a clean, dry, enclosed place out of the reach of children.
- Do not store near corrosive materials such as fertilizer or rock salt.

FOLDING THE SIDE RAILS

1. Push the chute-rotation handle all the way forward so that the chute is facing left, which will ensure causing no interference when folding. Squeeze the trigger on the chute deflector handle to tilt it all the way down (Fig. H1).
2. Open the quick-release levers on both sides to fold the side rails to the storage position (Fig. H2).

LIFTING AND CARRYING THE SNOW BLOWER

1. Remove the battery pack(s).
2. Fold the side rails as described in the previous chapter.
3. Lift and carry the unit by grabbing the lift handle with one hand and the lift area, on top of the snow intake (right below the EGO logo), with the other hand (Fig. I).

I-1	Lift area	I-2	Lift handle
-----	-----------	-----	-------------

PROTECTING THE ENVIRONMENT



WEEE (Waste Electrical and Electronic Equipment) Do not dispose of electrical equipment, used battery and charger into household waste! Take this product to an authorized recycler and make it available for separate collection. Electric tools must be returned to an environmentally compatible recycling facility.

TROUBLESHOOTING

PROBLEM	CAUSE	SOLUTION
Side rails don't stay in position.	<ul style="list-style-type: none"> Lock knobs on the side rails and/or quick-release levers are not secured. 	<ul style="list-style-type: none"> Make sure that lock knobs on the side rails are fully tightened and the quick-release levers are fully closed.
Snow blower is not starting.	<ul style="list-style-type: none"> Battery charge is low. The auger is frozen by snow or ice. The battery pack is overheated. The LED indicator on the battery pack(s) flashes orange or shines red (see the section "BATTERY HIGH-TEMPERATURE PROTECTION" in this manual). Incorrect steps made to power on the snow blower. Unidentified fault 	<ul style="list-style-type: none"> Charge the battery. Remove the battery pack(s) first, then use a clean-out tool to clear the snow or ice that obstruct the auger. Reinstall the battery packs and restart the snow blower. Remove the overheated battery pack(s) from the snow blower and wait until the battery pack(s) cools down to approximately 67°C. Reinstall the battery pack(s) and restart the snow blower. (1) Press the safety button until the power indicator flashes green. (2) With the button depressed, pull the bail switch upward to meet the main handle. Contact EGO service center for repair.
The motor is on but the auger does not turn.	<ul style="list-style-type: none"> The drive belt is worn or broken. 	<ul style="list-style-type: none"> Contact EGO service center for repair.
After passing, the snow blower leaves a layer of snow on the ground.	<ul style="list-style-type: none"> The scraper bar is worn. 	<ul style="list-style-type: none"> Replace the scraper following the section "REPLACING THE SCRAPER BAR" in this manual.
The snow blower throws less snow.	<ul style="list-style-type: none"> The rubber paddles are worn. Auger speed may be too low. 	<ul style="list-style-type: none"> Replace the rubber paddles following the section "TO REPLACE THE RUBBER PADDLES" in this manual. Increase the auger speed.
The auger fails to get traction and it requires extra effort to push the snow blower forward.	<ul style="list-style-type: none"> The rubber augers are worn. 	<ul style="list-style-type: none"> Replace the rubber augers following the section "TO REPLACE THE RUBBER AUGERS" in this manual.



EN

WARRANTY

EGO WARRANTY POLICY

Please visit the website egopowerplus.com for full terms and conditions of the EGO Warranty policy.

LESEN SIE ALLE ANWEISUNGEN!

DE



LESEN SIE DIE BETRIEBSANLEITUNG

WARNSYMBOL

Beim Betrieb von Elektrowerkzeugen besteht die Gefahr, dass Fremdkörper in Ihre Augen geschleudert werden und Sie dadurch schwerwiegende Augenschäden davontragen. Tragen Sie immer eine Schutzbrille, wenn möglich mit Seitenschutz, oder, falls nötig, einen vollen Gesichtsschutz, bevor Sie Arbeiten mit dem Elektrowerkzeug verrichten. Wir empfehlen Ihnen, einen Gesichtsschutz über Ihrer eigenen Brille oder eine herkömmliche Schutzbrille mit Seitenschutz zu tragen.



Sicherheitswarnung



Um das Verletzungsrisiko zu verringern, muss der Benutzer die Bedienungsanleitung vor der Benutzung des Gerätes gelesen und verstanden haben.



Tragen Sie immer eine Schutzbrille, möglichst mit Seitenschutz, und einen vollständigen Gesichtsschutz, wenn Sie das Gerät bedienen.



Verstopfungen im Auswurf nicht mit den Händen entfernen.



VORSICHT: Nicht in die Betriebsleuchte blicken.



Füße und Hände fernhalten



Halten Sie die Füße von dem rotierenden Laufrad fern.



Garantierter Schalleistungspegel. Geräuschemission an die Umgebung gemäß Richtlinie der Europäischen Gemeinschaft.



Elektrische Altgeräte dürfen nicht im Hausmüll entsorgt werden. Bringen Sie das Gerät zu einem Wertstoffhof bzw. zu einer amtlichen Sammelstelle.



Dieses Produkt erfüllt die einschlägigen CE-Richtlinien.



Gleichstrom



Dieses Produkt erfüllt die einschlägigen Vorschriften in GB.

IPX4 Schutzgrad gegen das Eindringen von Wasser

V Volt

cm Zentimeter

m Meter

kg Kilogramm

DE TECHNISCHE DATEN

Spannung	56 V	
Räumbreite	520 mm	
Einlasshöhe	330 mm	
Abwurfentfernung	Bis zu 14 m	
Radgröße	178 mm	
Empfohlene Betriebstemperatur	-20°C - 10°C	
Lagertemperatur	-20°C - 70°C	
Gewicht (ohne Akku)	27 kg	
Gemessener Schalleistungspegel L_{WA}	96 dB(A) K=1,8 dB(A)	
Schalldruckpegel am Ohr des Bedieners L_{PA}	80 dB(A) K=4 dB(A)	
Garantierter Schalleistungspegel L_{WA} (gemäß Messung nach 2000/14/CE)	98 dB(A)	
Vibrationswert a_{Hv} :	Linker Griffbügel	1,3 m/s ² K=1,5 m/s ²
	Rechter Griffbügel	1,3 m/s ² K=1,5 m/s ²

- Der angegebene Vibrationsgesamtwert wurde nach einem Standard-Prüfverfahren gemessen und kann zum Vergleich mit einem anderen Werkzeug herangezogen werden.
- Der angegebene Vibrationsgesamtwert kann auch zur vorläufigen Risikobewertung herangezogen werden.

HINWEIS: Die beim Einsatz des Elektrowerkzeugs entstehenden Istvibrationen können von dem angegebenen Wert abweichen. Zum Schutz des Benutzers sollten Handschuhe und ein Gehörschutz während des Geräteeinsatzes getragen werden.

EMPFOHLENES ZUBEHÖR

⚠️ WARNUNG: Die folgenden Teile können bei normalem Gebrauch abgenutzt sein. Verwenden Sie nur die unten aufgeführten baugleichen Ersatzteile. Die Verwendung von Teilen, die nicht die originalen Gerätespezifikationen erfüllen, kann zu fehlerhafter Leistung und Beeinträchtigungen der Sicherheit führen.

BEZEICHNUNG DER TEILE	MODELLNUMMER
Set aus Gummipaddel und Gummischnecke	ARP2120
Abstreifer	ASS2120

BESCHREIBUNG

AUFBAU IHRER SCHNEEFRÄSE (Abb. A1 – A3)

- Hauptgriff
- Bügelschalter (Schalthebel)
- Betriebsanzeige
- Hebegriff
- Schnellspannhebel
- Deckel des Akkufachs
- Rad (x2)
- Abdeckung des Antriebsriemens
- Schnecken
- LED-Scheinwerfer
- Umlenker
- Auswurf-Umlenkbügel
- Auswurf-Drehgriff
- Innensechskantschlüssel
- Drehzahlregler für Schnecke
- LED-Scheinwerferschalter
- Sicherheitsschalter
- Akku-Entriegelungstaste
- Griffmutter
- Verschluss
- Auswurfmechanismus
- Elektrischer Kontakt

PACKLISTE (ABB. A1)

MONTAGE

AUSKLAPPEN DER SEITENHOLME

- Bei Lieferung Ihrer Schneefräse sind die Seitenholme eingeklappt und verriegelt (Abb. B1).
- Öffnen Sie die Schnellspannhebel auf beiden Seiten und schwenken Sie die Seitenholme vorsichtig bis zum Anschlag nach oben (Abb. B2 und B3).
- Schließen Sie die Schnellspannhebel und ziehen Sie dann die Griffmutter fest (Abb. B4).

INSTALLATION DES AUSWURFKANALS

- Lockern und entfernen Sie mit dem beiliegenden Innensechskantschlüssel die beiden Schraubensätze und Unterlegscheiben im Sockel des Auswurfkanals (Abb. C1).

C1-1	Sockel des Auswurfkanals
------	--------------------------

- Richten Sie die Rillen des Auswurfkanals auf die Aussparung am Sockel des Auswurfkanals aus, und schieben Sie den Auswurfkanal ein (Abb. C2).

C2-1	Rille des Auswurfkanals	C2-2	Aussparung am Sockel des Auswurfkanals
------	-------------------------	------	--

- Schrauben Sie den Auswurfkanal mit den beiden Schraubensätzen und Unterlegscheiben fest. Verwenden Sie dazu den beiliegenden Innensechskantschlüssel (Abb. C3).

BETRIEB

ANBRINGEN/ABNEHMEN DES AKKUS

Verwenden Sie nur die in Abb. A4 aufgeführten EGO Akkus und Ladegeräte.

Weitere Einzelheiten finden Sie in den entsprechenden Anleitungen der Akkus und Ladegeräte.

Vor dem ersten Gebrauch voll aufladen.

- Heben Sie den Deckel des Akkufachs an der Vorderseite des Deckels an (Abb. D1).
- Akku einsetzen:** Schieben Sie den Akku mit seinen Rippen in die Aussparungen des Akkufachs ein, und drücken Sie den Akku nach unten, bis er hörbar einrastet. Schieben Sie den anderen Akku ein. (Abb. D2)
- Akku herausnehmen:** Drücken Sie die Akku-Entriegelungstaste, und ziehen Sie den Akku heraus (Abb. D3).

D3-1	Akku-Entriegelungstaste
------	-------------------------

- Schließen Sie den Deckel des Akkufachs.

STARTEN/STOPPEN DER SCHNEEFÄHRE

HINWEIS: Die Schneefähre nicht schnell hintereinander aus- und wieder einschalten.

Starten der Schneefähre

- Setzen Sie die Akkupacks in die Schneefähre ein und schließen Sie das Akkufach.
- Schalten Sie die Schneefähre ein, indem Sie den Sicherheitsschalter drücken.
- Halten Sie den Sicherheitsschalter gedrückt und ziehen Sie den Bügelschalter nach oben bis zum Hauptgriff (Abb. E1).

E1-1	Sicherheitsschalter	E1-2	Bügelschalter
------	---------------------	------	---------------

- Sobald sich die Schnecke dreht, lassen Sie den Sicherheitsschalter los, und beginnen Sie mit den Arbeiten (Abb. E2).

- Vorwärtsbewegung:** Heben Sie den Hauptgriff an, damit die Schnecke den Boden berührt (Abb. E3). Die Zugkraft der Schnecke unterstützt die Vorwärtsbewegung der Schneefähre.

E3-1	Normale Betriebsposition	E3-2	Position mit drehender Schnecke
E3-3	Schnecken berühren den Boden		

HINWEIS: Es ist möglich, dass die Schneefähre bei Akkutemperaturen unter -20°C nicht startet. Nehmen Sie in diesem Fall den Akku aus der Schneefähre und legen Sie ihn zum Aufwärmen mindestens 10 Minuten in einen Innenraum. Den Akku wieder einsetzen und erneut probieren.

Stoppen der Schneefähre

- Lassen Sie den Bügelschalter ganz los (Abb. E4).

E4-1	Sicherheitsschalter (Ganz losgelassen)	E4-2	Bügelschalter (Ganz losgelassen)
------	--	------	----------------------------------

- Nach dem Loslassen des Bügelschalters hält die elektrische Bremse im automatischen Bremsmechanismus die Drehung der Schnecke an.

Schnecken Drehzahlverstellung (Abb. E5)

- Um die Drehzahl der Schnecke zu erhöhen, bewegen Sie den Drehzahlregler für die Schnecke in die entgegengesetzte Richtung des Bedieners.
- Um die Drehzahl zu verringern, bewegen Sie den Drehzahlregler für die Schnecke in Richtung des Bedieners.

LED-Scheinwerfer (Abb. E6)

- Um die Scheinwerfer einzuschalten, drücken Sie den LED-Scheinwerferschalter. Der Bereich vor der Schneefähre wird von den Scheinwerfern hell ausgeleuchtet.
- Um die Scheinwerfer auszuschalten, drücken Sie erneut den LED-Scheinwerferschalter.

ANMERKUNG: Die LED-Scheinwerfer schalten sich automatisch aus, wenn die Schneefähre 5 Minuten lang nicht benutzt wird, um den Akku zu schonen.

AUSWURFKANAL EINSTELLEN

Die **Richtung** des Schneeauswurfs kann um bis zu 180° verstellt werden (Abb. E7).

E7-1	Auswurf-Drehgriff	E7-2	Auswurfkanal
------	-------------------	------	--------------

1. Drücken Sie den Auswurf-Drehgriff nach vorne, um den Auswurfkanal nach links zu drehen.
2. Ziehen Sie den Auswurf-Drehgriff nach hinten, um den Auswurfkanal nach rechts zu drehen.

Die **Wurfweite** der Schneefräse wird teilweise durch den Neigungswinkel des Umlenkers bestimmt (Abb. E8).

E8-1	Entriegelungshebel	E8-2	Umlenker
------	--------------------	------	----------

1. Drücken Sie zum Erhöhen der Schneewurfweite den Entriegelungshebel am Umlenkergriff und heben Sie den Umlenker an. Lassen Sie den Entriegelungshebel am Umlenkergriff los, damit der Umlenker einrastet.
2. Drehen Sie zum Verringern der Schneewurfweite den Umlenker mit dem Umlenkergriff einfach nach unten.

VERSTOPFTEN AUSWURFKANAL FREIRÄUMEN

1. Schalten Sie den Motor und die Schnecke aus!
2. Den Akku aus der Schneefräse nehmen.
3. Warten Sie, bis sich die Schnecke nicht mehr dreht.
4. Verwenden Sie zum Freiräumen immer ein geeignetes Hilfsmittel, wie beispielsweise einen Holzstab oder ein anderes handelsübliches Werkzeug. Arbeiten Sie nicht mit der Hand.

BETRIEBSANZEIGE AN DER SCHNEEFRÄSE

Die Betriebsanzeige leuchtet nur auf, wenn die Schneefräse gestartet wird.

BETRIEBSANZEIGE	BEDEUTUNG	VORGANG
Grün blinkend	Der Sicherheitsschalter ist gedrückt und die Schneefräse ist eingeschaltet und betriebsbereit. Jeder eingesetzte Akku ist zu mindestens 15 % geladen.	nicht zutreffend

Grün leuchtend	Die Schneefräse funktioniert ordnungsgemäß und jeder Akku ist zu mindestens 15 % geladen.	nicht zutreffend
Rot blinkend	Der Ladezustand der Akkus ist niedrig. Die Schnecke dreht sich nicht, aber die LED-Scheinwerfer können für kurze Zeit eingeschaltet werden.	Schneefräse ausschalten und Akku(s) aufladen.
Leuchtet orange	Die Schneefräse ist überhitzt.	Stoppen Sie die Schneefräse und warten Sie einige Zeit, um die Maschine abzukühlen.
Orange blinkend	Die Schneefräse ist überlastet.	Nehmen Sie die Akkus heraus. Überprüfen Sie, ob sich Schnee unter der Schnecke angesammelt oder in der Schnecke festgesetzt hat, und entfernen Sie diesen. Bewegen Sie die Fräse langsamer oder verringern Sie die Breite des Schneeräumstreifens.
Abwechselnd rot und grün blinkend	Kommunikationsfehler.	Kontaktieren Sie das EGO-Servicezentrum, um das Gerät reparieren zu lassen.

Keine Angabe	Wenn die LED-Anzeige an einem oder beiden Akkus orange blinkt oder rot leuchtet, sind die Akkus überhitzt.	Stoppen Sie die Schneefräse und lassen Sie den Akku abkühlen.
	Andere Fehler: Schalter, Licht usw.	Kontaktieren Sie das EGO-Servicezentrum, um das Gerät reparieren zu lassen.

Schneehöhe 76 mm übersteigt oder der Schnee sehr nass oder vereist ist. Wir empfehlen die Verwendung von zwei Akkus gleichzeitig. Dies ist hilfreich, um die Spitzenleistung der Schneefräse zu erreichen.

Bewegen Sie nach einer Abschaltung durch den Überhitzungsschutz die Schneefräse langsamer, und verringern Sie die Breite des Schneeräumstreifens, um den Akku zu entlasten.

WARTUNG

⚠️ WARNUNG: Schalten Sie vor Wartungsarbeiten an Ihrer Schneefräse das Gerät aus und nehmen Sie die Akkus heraus.

ÜBERLASTSCHUTZ DER SCHNEEFRÄSE

Um Überlastung zu vermeiden, räumen Sie nicht zu viel Schnee auf einmal. Bewegen Sie die Fräse langsamer oder verringern Sie die Breite des Schneeräumstreifens.

In der Schneefräse sind Sensoren zur Überlasterkennung eingebaut. Bei Überlastung der Schneefräse wird die Motordrehzahl automatisch gedrosselt, und Sie hören, wie sich das Motorgeräusch verringert. Bewegen Sie die Fräse bei Überlastung langsamer, oder verringern Sie die Räumbreite. Die Motordrehzahl normalisiert sich dann automatisch wieder. Falls die Überlastung durch diese Maßnahme nicht zurückgeht, schaltet der Sensor den Motor automatisch aus, und die LED-Anzeige blinkt orange. Den Akku aus der Schneefräse nehmen. Überprüfen Sie, ob sich Schnee oder Eis in der Schnecke und unter dem Verdeck festgesetzt haben, und entfernen Sie diesen gegebenenfalls mit einem passenden Werkzeug. Setzen Sie die Akkus wieder ein, und starten Sie die Schneefräse erneut.

AKKU-ÜBERHITZUNGSSCHUTZ

Wenn die Akkutemperatur während des Betriebs 70 °C übersteigt, schaltet der Temperaturschutz die Schneefräse unverzüglich ab, um den Akku vor Schäden durch Überhitzung zu schützen. Die Betriebsanzeige an der Schneefräse geht aus, und die LED-Anzeige am Akku blinkt orange oder leuchtet rot. Weitere Informationen zur LED-Anzeige auf dem Akkupack finden Sie im Abschnitt **“AKKUSCHUTZ”** in der Gebrauchsanleitung des Akkus.

Lassen Sie den Bügelschalter los und warten Sie, bis die überhitzten Akkus abgekühlt sind und die Akku-LED-Anzeige grün leuchtet. Starten Sie dann die Schneefräse neu.

Um eine Abschaltung durch den Akku-Überhitzungsschutz zu vermeiden, verwenden Sie keine einzelne Batterie für die Stromversorgung der Schneefräse, wenn die

ALLGEMEINE WARTUNG

Zum Reinigen von Kunststoffteilen Lösungsmittel vermeiden. Die verschiedenen handelsüblichen Lösungsmittel greifen die meisten Kunststoffe an. Verwenden Sie saubere Lappen zum Entfernen von Schmutz, Staub, Öl, Fett usw.

GERÄT SCHMIEREN

Alle Lager dieses Produkts sind ausreichend mit hochwertigem Schmiermittel geschmiert, so dass während der Lebensdauer des Geräts unter normalen Betriebsvoraussetzungen keine weitere Schmierung erforderlich ist. Die Lager müssen daher nicht erneut abgeschmiert werden.

AUSTAUSCH DER SCHÜRFLEISTE

Erforderliche Werkzeuge (nicht enthalten):

- 8-mm-Maulschlüssel
- T20 Torx-Schraubendreher

1. Die Schürfleiste befindet sich auf der unteren Seite des Schneefräsenverdeckes unter der Schnecke (Abb. F1).

F1-1	Schürfleiste
------	--------------

2. Kippen Sie die Schneefräse auf die Seite (Abb. F2).
3. Ziehen Sie Handschuhe an. Entfernen Sie die 5 Sätze Muttern, Federscheiben und Schrauben von außen und die 2 Torx-Schrauben von innen. Nehmen Sie die abgenutzte Schürfleiste ab (Abb. F2).

F2-1	Außenmutter (x5)	F2-2	Torx-Schraube (x2)
------	------------------	------	--------------------

4. Bringen Sie die neue Schürfleiste an und setzen Sie die 2 Torx-Schrauben ein (Abb. F3).

F3-1	Innenloch (x2)	F3-2	Schürfleiste (glänzende Oberfläche nach innen gerichtet)
F3-3	Torx-Schraube (x2)		

5. Setzen Sie die 5 Schrauben ein und ziehen Sie sie mit Federscheiben und Muttern fest (Abb. F4 und F5).

F5-1	Mutter	F5-2	Federscheibe
F5-3	Deck	F5-4	Schürfleiste
F5-5	Schraube		

GUMMIPADEL UND GUMMISCHNECKEN AUSTAUSCHEN

Austausch der Gummipaddel: (Abb. G1)

G1-1	Gummipaddel	G1-2	2 Sätze Schrauben und Muttern an jedem Paddel (insgesamt 4 Sätze)
------	-------------	------	---

Erforderliche Werkzeuge (nicht enthalten):

- Schlitzschraubendreher
 - 10-mm-Maulschlüssel
1. Ziehen Sie Handschuhe an. Drehen Sie die Stahlschnecke von Hand so, dass die Gummipaddel leicht ausgebaut werden können.
 2. Entfernen Sie alle Sicherungsschrauben und Muttern, um die Gummipaddel herauszunehmen.
 3. Ersetzen Sie sie durch die neuen Gummipaddel und ziehen Sie sie fest.

Austausch der Gummischnecken (Abb. G2)

G2-1	Gummischnecke (x4)	G2-2	1 Satz Schraube, Unterlegscheibe und Mutter an jeder Schnecke (insgesamt 4 Sätze)
G2-3	2 Sätze Schrauben und Muttern an jeder Schnecke (insgesamt 8 Sätze)		

Erforderliche Werkzeuge:

- 13-mm-Maulschlüssel (nicht enthalten)
- 5-mm-Sechskantschlüssel (im Lieferumfang enthalten)

1. Ziehen Sie Handschuhe an. Drehen Sie die Stahlschnecke von Hand so, dass die Gummischnecken leicht ausgebaut werden können.
2. Entfernen Sie alle Sicherungsschrauben und Muttern, um die Gummischnecken herauszunehmen.
3. Ersetzen Sie sie durch die neuen Gummischnecken und ziehen Sie sie fest.

AUFBEWAHREN DER SCHNEEFRÄSE

- Die Akkus abnehmen und an einem sicheren Ort aufbewahren, der für Kinder nicht erreichbar ist.

Wischen Sie vor der Lagerung Feuchtigkeit, Schmutz oder Ablagerungen vom und um das Akkufach herum ab.

- Die Schneefräse mit einem trockenen sauberen Lappen abwischen.
- Alle Muttern, Schrauben, Knaufe etc. auf festen Sitz prüfen.
- Die beweglichen Teile auf Schäden, Defekte und Verschleiß prüfen. Defekte oder fehlende Teile reparieren lassen.
- Klappen Sie die Seitenholme in die Lagerungsstellung.
- Die Schneefräse an einem sauberen, trockenen und geschlossenen Ort aufbewahren, der für Kinder unzugänglich ist.
- Nicht in der Nähe aggressiver Stoffe wie zum Beispiel Düngemittel oder Steinsalz aufbewahren.

EINKLAPPEN DER SEITENHOLME

1. Schieben Sie den Auswurf-Drehgriff ganz nach vorne, sodass der Auswurfkanal nach links zeigt und beim Einklappen der Holme nicht im Weg steht. Drücken Sie den Entriegelungshebel am Umlenkergriff, um ihn ganz nach unten zu kippen (Abb. H1).
2. Öffnen Sie die Schnellspannhebel auf beiden Seiten und klappen Sie die Seitenholme in die Lagerungsstellung (Abb. H2).

HEBEN UND TRAGEN DER SCHNEEFRÄSE

1. Nehmen Sie die Akkus heraus.
2. Klappen Sie die Seitenholme ein, wie im vorherigen Abschnitt beschrieben.
3. Heben und tragen Sie das Gerät mit einer Hand am Hebegriff und mit der anderen Hand am Hebebereich auf dem Schneeeinlass (direkt unter dem EGO-Logo) (Abb. I).

I-1	Hebebereich	I-2	Hebegriff
-----	-------------	-----	-----------

SCHUTZ DER UMWELT

DE



WEEE-Altgeräteverordnung - Elektro-Altgeräte, verbrauchte Akkus und Ladegeräte dürfen nicht im Hausmüll entsorgt werden! Das Gerät muss einer offiziellen Recycling-Sammelstelle zur getrennten Entsorgung zugeführt werden. Elektrowerkzeuge müssen bei einem umweltfreundlichen Recycling-Betrieb abgegeben werden.

DE STÖRUNGSBEHEBUNG

PROBLEM	URSACHE	LÖSUNG
Seitenholme bleiben nicht in ihrer Position.	<ul style="list-style-type: none"> Die Griffmuttern an den Seitenholmen und/oder die Schnellspannhebel sind nicht festgezogen. 	<ul style="list-style-type: none"> Vergewissern Sie sich, dass die Griffmuttern an den Seitenholmen fest angezogen und die Schnellspannhebel vollständig geschlossen sind.
Schneefräse startet nicht.	<ul style="list-style-type: none"> Akkuladung ist schwach. Die Frässhnecke ist durch Schnee oder Eis angefroren. Der Akku ist überhitzt. Die LED-Anzeige am Akku blinkt orange oder leuchtet rot (siehe Abschnitt „AKKU-ÜBERHITZUNGSSCHUTZ“ in dieser Anleitung). Falsche Schritte zum Einschalten der Schneefräse unternommen. Unbekannter Fehler 	<ul style="list-style-type: none"> Akku aufladen. Nehmen Sie die Akkus heraus und entfernen Sie dann mit einem Reinigungswerkzeug den Schnee oder das Eis, der/das die Schnecke blockiert. Setzen Sie die Akkus wieder ein, und starten Sie die Schneefräse erneut. Nehmen Sie die überhitzten Akkus aus der Schneefräse und warten Sie, bis die Akkus auf etwa 67 °C abgekühlt sind. Setzen Sie die Akkus wieder ein, und starten Sie die Schneefräse erneut. (1) Drücken Sie den Sicherheitsschalter, bis die Betriebsanzeige grün blinkt. (2) Halten Sie den Sicherheitsschalter gedrückt und ziehen Sie den Bügelschalter nach oben bis zum Hauptgriff. Kontaktieren Sie das EGO-Servicezentrum, um das Gerät reparieren zu lassen.
Der Motor ist eingeschaltet, aber die Frässhnecke dreht sich nicht.	<ul style="list-style-type: none"> Der Antriebsriemen ist abgenutzt oder gerissen. 	<ul style="list-style-type: none"> Kontaktieren Sie das EGO-Servicezentrum, um das Gerät reparieren zu lassen.
Die Schneefräse hinterlässt eine Schneeschicht auf dem Boden.	<ul style="list-style-type: none"> Die Schürfleiste ist abgenutzt. 	<ul style="list-style-type: none"> Tauschen Sie die Schürfleiste gemäß dem Abschnitt „AUSTAUSCH DER SCHÜRFLEISTE“ in dieser Anleitung aus.

PROBLEM	URSACHE	LÖSUNG
Die Schneefräse wirft weniger Schnee aus.	<ul style="list-style-type: none">■ Die Gummipaddel sind abgenutzt.■ Die Schneckendrehzahl ist möglicherweise zu niedrig.	<ul style="list-style-type: none">■ Tauschen Sie die Gummipaddel gemäß dem Abschnitt „AUSTAUSCH DER GUMMIPADDEL“ in dieser Anleitung aus.■ Erhöhen Sie die Schneckendrehzahl
Die Schnecke entwickelt keine Zugkraft und es erfordert zusätzlichen Aufwand, um die Schneefräse nach vorne zu schieben.	<ul style="list-style-type: none">■ Die Gummischnecken sind abgenutzt.	<ul style="list-style-type: none">■ Tauschen Sie die Gummischnecken gemäß dem Abschnitt „AUSTAUSCH DER GUMMISCHNECKEN“ in dieser Anleitung aus.

GARANTIE

EGO-GARANTIEBEDINGUNGEN

Sämtliche EGO Garantiebedingungen finden Sie auf der Website egopowerplus.com.

LISEZ TOUTES LES INSTRUCTIONS !**FR****LISEZ LE MANUEL D'UTILISATION****SYMBOLE DE SECURITE**

L'utilisation d'un outil électrique peut provoquer la projection d'objets étrangers dans vos yeux, ce qui peut entraîner des lésions oculaires graves. Avant de commencer à utiliser l'outil électrique, portez toujours un masque de sécurité ou des lunettes de sécurité avec des protections latérales et une visière complète si nécessaire. Nous vous recommandons de porter un masque de sécurité à vision panoramique par-dessus des lunettes de vue ou des lunettes de sécurité standards avec des protections latérales.



Alerte de sécurité



Pour réduire le risque de blessures, l'utilisateur doit lire et comprendre le manuel d'utilisation avant d'utiliser ce produit.



Portez toujours un masque de sécurité ou des lunettes de sécurité avec boucliers latéraux et un masque facial intégral lors de l'utilisation de ce produit.



N'utilisez pas vos mains pour déboucher la goulotte.



ATTENTION : Ne fixez pas les éclairages en fonctionnement.



Tenir à l'écart les pieds et les mains



Gardez les pieds éloignés de la turbine en rotation.



Niveau de puissance acoustique garanti. Émission de bruit dans l'environnement conformément à la directive CE.



Les produits électriques usagés ne doivent pas être jetés avec les ordures ménagères. Apportez-les dans un centre de recyclage agréé.



Ce produit est conforme aux directives CE applicables.



Courants continus



Ce produit est conforme à la législation britannique applicable.

IPX4 Degré de protection contre la pénétration de l'eau

V Volts

cm Centimètres

m Mètre

kg Kilogramme

SPÉCIFICATIONS

Tension	56 V	
Largeur de déblaiement	520 mm	
Hauteur de ramassage	330 mm	
Distance d'éjection	Jusqu'à 14 m	
Taille de roue	178 mm	
Température d'utilisation recommandée	-20°C - 10°C	
Température de stockage	-20°C - 70°C	
Poids (sans batterie)	27 kg	
Niveau de puissance acoustique mesuré L_{WA}	96 dB(A) K=1,8 dB(A)	
Niveau de pression acoustique au niveau des oreilles de l'opérateur L_{PA}	80 dB(A) K=4 dB(A)	
Niveau de puissance acoustique garanti L_{WA} (conformément à la norme 2000/14/CE)	98 dB(A)	
Niveau de vibration a_{hv} :	Poignée gauche	1,3 m/s ² K=1,5 m/s ²
	Poignée droite	1,3 m/s ² K=1,5 m/s ²

- La valeur totale des vibrations indiquée a été mesurée selon une procédure conforme à une méthode de test standardisée et peut servir pour comparer différents outils.
- La valeur totale des vibrations déclarée peut également servir pour effectuer une évaluation préliminaire de l'exposition.

REMARQUE : Le niveau de vibrations lors de l'utilisation réelle de l'outil peut être différent de la valeur déclarée totale en fonction de la manière dont l'outil est utilisé ; Afin de protéger l'opérateur, l'utilisateur doit porter des gants et des protecteurs d'oreilles en conditions réelles d'utilisation.

ACCESSOIRES RECOMMANDÉS

⚠ AVERTISSEMENT : Les pièces suivantes sont susceptibles d'être usées par une utilisation normale. Utilisez uniquement les pièces de rechange identiques énumérées ci-dessous. L'utilisation de pièces ne

correspondant pas aux caractéristiques de l'équipement d'origine peut causer un fonctionnement inadéquat et compromettre la sécurité.

FR

NOM DES PIÈCES	NUMÉRO DE MODÈLE
Jeu de palettes et de tarières en caoutchouc	ARP2120
Barre de raclage	ASS2120

DESCRIPTION

DESCRIPTION DE VOTRE FRAISE A NEIGE (Fig. A1 et A3)

- Poignée principale
- Interrupteur de désengagement (levier d'interrupteur)
- Indicateur d'alimentation
- Poignée de levage
- Levier à retrait rapide
- Couvercle du compartiment de la batterie
- Roue (x2)
- Couvercle de la courroie d'entraînement
- Tarière assemblée
- Phares LED
- Défecteur de la goulotte
- Poignée de déflecteur de goulotte
- Poignée de rotation de la goulotte
- Clé à six pans
- Molette de réglage de la vitesse de la tarière
- Interrupteur de phares LED
- Bouton de sécurité
- Bouton de déverrouillage de la batterie
- Bouton de verrouillage
- Loquet
- Mécanisme d'éjection
- Contact électrique

CONTENU DE L'EMBALLAGE (SCHÉMA A1)

ASSEMBLAGE

DEPLIER LES BARRES LATÉRALES

- Votre fraise à neige est expédiée avec les barres latérales en position repliée et verrouillée (Fig. B1).
- Ouvrez les leviers de retrait rapide des deux côtés et faites pivoter doucement les barres latérales vers le haut jusqu'à ce qu'elles s'arrêtent (Fig. B2 & B3).
- Fermez les leviers de retrait rapide, puis serrez les boutons de verrouillage (Fig. B4).

INSTALLATION DE LA GOULOTTE

1. Utilisez la clé hexagonale fournie pour desserrer et retirer les deux jeux d'écrous et de rondelles de la base de la goulotte (Fig. C1).

C1-1	Base de la goulotte
------	---------------------

2. Alignez les rainures de la goulotte avec la fente de la base de la goulotte, puis poussez la goulotte en place (Fig. C2).

C2-1	Rainure de la goulotte	C2-2	Fente sur la base de la goulotte
------	------------------------	------	----------------------------------

3. Utilisez la clé hexagonale fournie pour bloquer la goulotte en place avec les deux jeux d'écrous et de rondelles (Fig. C3).

FUNCTIONNEMENT

INSERTION / RETRAIT DE LA BATTERIE

Utilisez exclusivement avec les batteries et les chargeurs EGO listés à la Fig.A4.

Reportez-vous aux manuels des batteries et des chargeurs correspondants pour plus de détails.

Rechargez complètement la batterie avant la première utilisation.

1. Soulevez le couvercle du compartiment de la batterie en soulevant l'avant du couvercle (Fig. D1).
2. **Pour la fixation**, alignez les arêtes de la batterie sur les rainures d'assemblage et enfoncez la batterie jusqu'à entendre un dé clic. Fixez l'autre batterie. (Fig. D2).
3. **Pour détacher**, appuyez sur le bouton de déverrouillage de la batterie et retirez la batterie hors de l'outil (schéma D3).

D3-1	Bouton d'éjection de la batterie
------	----------------------------------

4. Fermez le couvercle du compartiment de la batterie.

DEMARRAGE/ARRÊT DE LA FRAISE A NEIGE

REMARQUE : La fraise à neige ne doit pas être arrêtée puis redémarrée rapidement.

Démarrage de la fraise à neige

1. Fixez le ou les blocs de batterie dans la fraise à neige et refermez le couvercle du logement de la batterie.

2. Mettez la fraise à neige sous tension en appuyant sur le bouton de sécurité.
3. Le bouton de sécurité étant enfoncé, tirez l'interrupteur de désengagement vers le haut pour qu'il rencontre la poignée principale (Fig. E1).

E1-1	Bouton de sécurité	E1-2	Interrupteur de désengagement
------	--------------------	------	-------------------------------

4. Une fois que la tarière a démarré, relâchez le bouton de sécurité et commencez à travailler (Fig. E2).
5. **Pour avancer**, soulevez la poignée principale pour permettre à tarière de toucher le sol (Fig. E3). La traction de la tarière aidera à faire avancer la fraise à neige.

E3-1	Position normale de fonctionnement	E3-2	Position de la tarière propulsée
E3-3	La tarière est en contact avec le sol		

REMARQUE : La fraise à neige peut ne pas démarrer correctement si sa batterie atteint une température inférieure à -20 °C. Si la fraise à neige ne démarre pas, retirez sa batterie et laissez-la se réchauffer à l'intérieur pendant au moins 10 minutes. Réinsérez la batterie et réessayez.

Arrêt de la fraise à neige

1. Relâchez l'interrupteur de désengagement (Fig. E4).

E4-1	Bouton de sécurité (entièrement relâché)	E4-2	Interrupteur de désengagement (entièrement relâché)
------	--	------	---

2. Le frein électrique du mécanisme de freinage automatique arrête la rotation de la tarière après le relâchement de l'interrupteur de désengagement.

Système de vitesse de la tarière variable (Fig. E5)

1. Pour augmenter la vitesse de la tarière, éloignez le cadran de vitesse de la tarière de l'opérateur.
2. Pour diminuer la vitesse, déplacez le cadran de vitesse de la tarière vers l'opérateur.

PHARES LED (Fig. E6)

1. Pour allumer les phares, appuyez sur l'interrupteur des phares LED. Les phares fournissent une lumière vive à l'avant de la fraise à neige.
2. Pour éteindre les phares, appuyez à nouveau sur l'interrupteur des phares LED.

REMARQUE : Les phares LED s'éteignent automatiquement lorsque la fraise à neige est inactive pendant 5 minutes afin de préserver la charge de la batterie.

RÉGLAGE DE LA GOULOTTE

La **direction** du déneigement peut être réglée jusqu'à 180° (Fig. E7).

E7-1	Poignée de rotation de la goulotte	E7-2	Gouttière
------	------------------------------------	------	-----------

1. Poussez la poignée de rotation de la goulotte vers l'avant pour faire pivoter la goulotte vers la gauche.
2. Tirez la poignée de rotation de la goulotte vers l'arrière pour faire pivoter la goulotte vers la droite.

La **distance de projection** de la fraise à neige est déterminée en partie par l'angle d'inclinaison du déflecteur de la goulotte (Fig. E8).

E8-1	Interrupteur-gâchette	E8-2	Déflecteur de la goulotte
------	-----------------------	------	---------------------------

1. Pour augmenter la distance de projection de la neige, appuyez sur la gâchette de la poignée du déflecteur de la goulotte, puis relevez le déflecteur de la goulotte. Relâchez la gâchette de la poignée du déflecteur de la goulotte pour verrouiller le déflecteur de la goulotte en place.
2. Pour diminuer la distance de projection de la neige, il suffit d'abaisser le déflecteur à l'aide de la poignée du déflecteur de la goulotte.

DÉGAGER UNE GOULOTTE BOUCHEE

1. Arrêtez le moteur et la tarière !
2. Retirez la ou les batterie(s) de la fraise à neige.
3. Attendez que la tarière s'arrête de tourner.
4. Utilisez toujours un outil de nettoyage, tel qu'une tige en bois ou d'autres outils de nettoyage disponibles dans le commerce ; n'utilisez pas votre main.

INDICATEUR D'ALIMENTATION SUR LA FRAISE À NEIGE

L'indicateur d'alimentation s'allume uniquement lorsque la fraise à neige est mise en marche.

TÉMOIN D'ALIMENTATION	SIGNIFICATION	ACTION
Clignote en vert	Le bouton de sécurité est enfoncé et la fraise à neige est sous tension et prête à fonctionner. Chaque batterie insérée a au moins 15 % de sa charge.	n/a
S'allume en vert	La fraise à neige fonctionne correctement, la batterie dispose d'au moins 15 % de sa charge.	n/a
Clignote en rouge	Le niveau de charge du ou des blocs de batteries est faible. La tarière ne tourne pas, mais les phares LED peuvent être allumés pendant un court instant.	Éteignez la fraise à neige et rechargez la batterie.
Brille en orange	La fraise à neige est en surchauffe.	Arrêtez la fraise à neige et attendez un certain temps pour qu'elle refroidisse.
Clignote en orange	La fraise à neige est en surcharge.	Retirez le ou les blocs batterie. Vérifiez et dégagez la neige qui s'est accumulée sous la tarière ou qui s'y est logée. Ralentissez votre rythme ou réduisez la largeur de l'andain de déneigement lorsque vous travaillez.

FR

Clignote alternativement en rouge et vert	Erreur de communication.	Contactez un centre de réparation EGO pour faire réparer l'outil.
Aucune indication	Si le voyant LED d'un ou des deux blocs de batteries clignote en orange ou s'allume en rouge, le ou les blocs de batteries sont en surchauffe.	Arrêtez la fraise à neige et laissez le bloc-batteries refroidir.
	Autres défauts : interrupteur, lumière, etc.	Contactez un centre de réparation EGO pour faire réparer l'outil.

PROTECTION CONTRE LA SURCHARGE DE LA FRAISE A NEIGE

Pour éviter les surcharges, n'essayez pas d'enlever trop de neige en même temps. Ralentissez votre rythme ou diminuez la largeur de l'andain de déneigement.

Votre fraise à neige dispose d'éléments de détection de surcharge intégrés. Lorsque la fraise à neige est en surcharge, le moteur diminue la vitesse automatiquement et vous entendrez le niveau sonore du moteur baisser. En cas de surcharge, ralentissez votre rythme ou réduisez la largeur de déblaiement, après quoi la vitesse du moteur reprendra automatiquement son réglage normal. Si cela ne résout pas le problème de surcharge, le capteur va couper le moteur automatiquement et l'indicateur d'alimentation clignotera en orange. Retirez la ou les batterie(s) de la fraise à neige. Vérifiez si de la neige ou de la glace est coincée dans la tarière et le plateau et utilisez un outil de nettoyage pour les dégager si nécessaire. Réinsérez le ou les bloc(s) batterie et redémarrez la fraise à neige.

PROTECTION CONTRE LA SURCHAUFFE DE LA BATTERIE

Si la température de la batterie dépasse 70 °C pendant le fonctionnement, le circuit de protection de la température arrête immédiatement la fraise à neige pour protéger les blocs de batteries contre les dommages liés à une surchauffe. L'indicateur d'alimentation de la fraise à neige est éteint et le voyant LED du bloc de batterie clignote en orange ou s'allume en rouge. Veuillez vous référer à la section « **PROTECTION DES BATTERIES** » du

manuel d'utilisation de la batterie pour en savoir plus sur l'indicateur LED du bloc de batterie.

Relâchez l'interrupteur de désengagement et attendez que le(s) bloc(s) de batteries surchauffé(s) refroidisse(nt) et que le voyant LED de la batterie devienne vert, puis redémarrez la fraise à neige.

Pour éviter un arrêt dû à la protection contre les températures élevées de la batterie, n'essayez pas d'utiliser une seule batterie pour alimenter la fraise à neige lorsque l'épaisseur de la neige accumulée dépasse 76 mm ou lorsque la neige est très humide ou gelée. Nous recommandons l'utilisation de deux batteries fonctionnant simultanément. Cela permet d'atteindre la puissance maximale de la fraise à neige.

Après l'apparition de la protection contre les températures élevées, ralentissez votre allure et réduisez la largeur de l'andain de déneigement afin de réduire la charge sur la batterie.

MAINTENANCE

⚠ AVERTISSEMENT : Assurez-vous d'éteindre l'appareil et de retirer le(s) bloc(s) de batteries avant d'effectuer toute tâche d'entretien sur votre fraise à neige.

ENTRETIEN GÉNÉRAL

N'utilisez pas de solvant pour nettoyer les pièces en plastique. La plupart des plastiques peuvent être détériorés par de nombreux types de solvants vendus dans le commerce. Utilisez des chiffons propres pour enlever les saletés, les poussières, l'huile, la graisse, etc.

LUBRIFICATION DE LA MACHINE

Tous les roulements de ce produit sont lubrifiés avec une quantité suffisante de lubrifiant de haute qualité pour la durée de vie de la machine dans des conditions normales d'utilisation. C'est pourquoi il n'est pas nécessaire de lubrifier davantage les roulements.

REMPLACEMENT DE LA BARRE DE RACLAGE

Outils nécessaires (non inclus) :

- Clé à fourche de 8 mm
- Tournevis Torx T20

1. La barre de raclage est située au bas du plateau de la fraise à neige, sous la tarière (Fig. F1).



2. Tournez la fraise à neige sur le côté (Fig. F2).

- Portez des gants. Retirez les 5 jeux d'écrous, les rondelles élastiques et les écrous de l'extérieur et retirez les 2 vis Torx de l'intérieur. Détachez la barre de raclage usée (Fig. F2).

F2-1	Ecrou extérieur (x5)	F2-2	Vis Torx (x2)
------	----------------------	------	---------------

- Fixez la nouvelle barre de raclage et insérez les 2 vis Torx (Fig. F3).

F3-1	Trou intérieur (x2)	F3-2	Barre de raclage (surface brillante tournée vers l'intérieur)
F3-3	Vis Torx (x2)		

- Insérez les 5 écrous et serrez-les avec des rondelles élastiques et des écrous (Fig. F4 & F5).

F5-1	Écrou	F5-2	Rondelle élastique
F5-3	Plateau	F5-4	Barre de raclage
F5-5	Boulon		

REMPLACEMENT DU JEU DE PALETTES ET DE TARIÈRES EN CAOUTCHOU

Pour remplacer les palettes en caoutchouc : (Fig. G1)

G1-1	Palettes en caoutchouc	G1-2	2 jeux de boulons et d'écrous sur chaque palette (un total de 4 jeux)
------	------------------------	------	---

Outils nécessaires (non inclus) :

- Tournevis à tête plate
 - Clé à fourche de 10 mm
- Portez des gants. Faites tourner manuellement la tarière en acier dans la position appropriée pour faciliter le démontage de la palette en caoutchouc.
 - Retirez tous les boulons et écrous de fixation pour sortir les palettes en caoutchouc.
 - Remplacez-les par les nouvelles palettes en caoutchouc et serrez-les fermement.

Pour remplacer les tarières en caoutchouc (Fig. G2)

G2-1	Tarière en caoutchouc (x4)	G2-2	1 jeu de boulons, rondelles et écrous sur chaque tarière (4 jeux au total)
G2-3	2 jeux de boulons et d'écrous sur chaque tarière (8 jeux au total)		

Outils nécessaires :

- Clé à fourche de 13 mm (non incluse)
 - Clé six pans 5 mm (fournie)
- Portez des gants. Faites tourner manuellement la tarière en acier dans la position adaptée pour faciliter le démontage de la tarière en caoutchouc.
 - Retirez tous les boulons et écrous de fixation pour sortir les tarières en caoutchouc.
 - Remplacez-les par de nouvelles tarières en caoutchouc et serrez-les fermement.

ENTREPOSAGE DE LA FRAISE A NEIGE

- Retirez la batterie et entreposez-la dans un endroit sûr hors de portée des enfants.

Avant de ranger l'appareil, éliminez toute trace d'humidité, de saleté ou de débris du compartiment des batteries et de ses environs.

- Essuyez la fraise à neige avec un chiffon propre et sec.
- Vérifiez le serrage de tous les écrous, boulons, molettes, vis, etc.
- Vérifiez que les pièces mobiles ne présentent pas de dommages, cassures ni de traces d'usure. Faites réparer toute pièce endommagée et remplacez les pièces manquantes.
- Rabattez les barres latérales en position de rangement.
- Entreposez la fraise à neige dans un endroit fermé propre et sec, hors de portée des enfants.
- Ne la rangez pas près de matériaux corrosifs, par exemple des engrais ou des cristaux de sel.

PLIAGE DES BARRES LATÉRALES

- Poussez la poignée de rotation de la goulotte à fond vers l'avant afin que la goulotte soit orientée vers la gauche, ce qui évitera toute interférence lors du pliage. Appuyez sur la gâchette de la poignée du déflecteur de la goulotte pour l'incliner complètement vers le bas (Fig. H1).
- Ouvrez les leviers de retrait rapide des deux côtés pour replier les barres latérales en position de rangement (Fig. H2).

SOULEVER ET PORTER LA FRAISE À NEIGE

- Retirez le ou les blocs batterie.
- Pliez les barres latérales comme décrit dans le chapitre précédent.
- Soulevez et portez l'appareil en saisissant d'une main la poignée de levage et de l'autre main la zone de levage située au-dessus de l'entrée de la neige (juste en dessous du logo EGO) (fig. I).

I-1	Zone de levage	I-2	Poignée de levage
-----	----------------	-----	-------------------

FR

PROTECTION DE L'ENVIRONNEMENT



DEEE (déchet d'équipement électrique et électronique) Ne jetez pas les équipements électriques, les batteries et les chargeurs usagés avec les ordures ménagères ! Apportez ce produit dans un centre de recyclage agréé pour qu'il fasse l'objet d'une collecte séparée. Les outils électriques doivent être amenés dans un centre de recyclage pour assurer le respect de l'environnement.

GUIDE DE DÉPANNAGE

FR

PROBLÈME	CAUSE	SOLUTION
Les barres latérales ne restent pas en position.	<ul style="list-style-type: none"> Les boutons de verrouillage des barres latérales et/ou les leviers de retrait rapide ne sont pas fixés. 	<ul style="list-style-type: none"> Assurez-vous que les boutons de verrouillage des barres latérales sont entièrement serrés et que les leviers de retrait rapide sont entièrement fermés.
La fraise à neige ne démarre pas.	<ul style="list-style-type: none"> La batterie est faible. La tarière est gelée par de la neige ou de la glace. Le bloc de batterie est en surchauffe. Le voyant LED du bloc batterie clignote en orange ou s'allume en rouge (voir la partie « PROTECTION CONTRE LA SURCHAUFFE DE LA BATTERIE » dans ce manuel) Des mauvaises mesures ont été prises pour mettre en marche la fraise à neige. Faute non identifiée 	<ul style="list-style-type: none"> Rechargez la batterie. Retirez d'abord le(s) bloc(s) batteries, puis utilisez un outil de nettoyage pour dégager la neige ou la glace qui obstruent la tarière. Réinsérez le bloc batterie et redémarrez la fraise à neige. Retirez le(s) bloc(s) batteries surchauffé(s) de la fraise à neige et attendez que le(s) bloc(s) de batteries refroidisse(nt) à environ 67 °C. Réinsérez le ou les bloc(s) de batterie et redémarrez la fraise à neige. (1) Appuyez sur le bouton de sécurité jusqu'à ce que le voyant d'alimentation clignote en vert. (2) Le bouton étant enfoncé, tirez l'interrupteur de désengagement vers le haut pour qu'il rencontre la poignée principale. Contactez un centre de réparation EGO pour faire réparer l'outil.
Le moteur est en marche, mais la tarière ne tourne pas.	<ul style="list-style-type: none"> La courroie d'entraînement est usée ou cassée. 	<ul style="list-style-type: none"> Contactez un centre de réparation EGO pour faire réparer l'outil.
Après son passage, la fraise à neige laisse une couche de neige sur le sol.	<ul style="list-style-type: none"> La barre de raclage est usée. 	<ul style="list-style-type: none"> Remplacez le racleur en suivant la section « REMPLACEMENT DE LA BARRE DU RACLEUR » de ce manuel.
La fraise à neige projette moins de neige.	<ul style="list-style-type: none"> Les palettes en caoutchouc sont usées. La vitesse de la tarière est peut-être trop faible. 	<ul style="list-style-type: none"> Remplacez les palettes en caoutchouc en suivant la section « REMPLACEMENT DES PALETTES EN CAOUTCHOUC » de ce manuel. Augmenter la vitesse de la tarière

FR

PROBLÈME	CAUSE	SOLUTION
La tarière ne parvient pas à se mettre en mouvement et il faut un effort supplémentaire pour faire avancer la fraise à neige.	<ul style="list-style-type: none">■ Les vis sans fin en caoutchouc sont usées.	<ul style="list-style-type: none">■ Remplacez les tarières en caoutchouc en suivant la section « REPLACEMENT DES TARIÈRES EN CAOUTCHOUC » de ce manuel.

GARANTIE

POLITIQUE DE GARANTIE EGO

Visitez le site Web egopowerplus.com pour consulter l'intégralité des conditions de la politique de garantie EGO.

¡LEA TODAS LAS INSTRUCCIONES!



LEA EL MANUAL DEL USUARIO

ES

SÍMBOLO DE SEGURIDAD

Cuando se utilizan herramientas eléctricas, es posible que salgan despedidos objetos que podrían causar lesiones oculares graves. Antes de empezar a usar herramientas eléctricas, póngase siempre gafas de seguridad, gafas con cristales anti-impacto que cuenten con pantallas de protección lateral, o bien una máscara facial que proteja completamente la cara. Recomendamos usar una máscara de seguridad de amplia visión que pueda utilizarse encima de gafas graduadas, o bien gafas normales de seguridad equipadas con pantallas laterales.



Aviso de seguridad



Para reducir el riesgo de lesiones, el usuario debe leer y comprender el manual del usuario antes de utilizar este producto.



Utilice siempre gafas de seguridad, gafas con cristales anti-impacto que cuenten con pantallas de protección lateral, o bien una máscara facial que proteja completamente la cara cuando use este producto.



No use las manos para desatascar la tolva.



PRECAUCIÓN: No mire hacia la lámpara en funcionamiento.



Mantenga las manos y los pies apartados.



Mantenga los pies alejados del impulsor giratorio.



Nivel de potencia acústica garantizado. La emisión de ruido al medio ambiente cumple la directiva de la Comunidad Europea.



Los productos eléctricos no deben eliminarse con la basura doméstica. Líveles a un centro de reciclaje autorizado.



Este producto está en conformidad con las directivas de la CE aplicables.



Corriente continua



Este producto está en conformidad con la legislación aplicable del Reino Unido.

IPX4 Grado de protección contra la entrada de agua


V Voltio

cm Centímetros

m Metro

kg Kilogramo

ESPECIFICACIONES

Tensión	56 V 	
Anchura de limpieza	520 mm	
Altura de aspiración	330 mm	
Distancia de lanzamiento	Hasta 14 mm	
Tamaño de las ruedas	178 mm	
Temperatura de funcionamiento recomendada	De -20°C a 10°C	
Temperatura de almacenamiento	De -20°C a 70°C	
Peso (sin batería)	27 kg	
Nivel de potencia acústica medido L_{WA}	96 dB(A) K=1,8 dB(A)	
Nivel de presión acústica medido a la altura del oído del usuario L_{PA}	80 dB(A) K=4 dB(A)	
Nivel de potencia acústica garantizado L_{WA} (medido según 2000/14/CE)	98 dB(A)	
Evaluación de la vibración a_h :	Empuñadura izquierda	1,3 m/s ² K=1,5 m/s ²
	Empuñadura derecha	1,3 m/s ² K=1,5 m/s ²

- El valor de vibración total ha sido medido de acuerdo con el método de prueba estándar y se puede utilizar para comparar herramientas.
- El valor total de vibración declarado se puede usar además en una evaluación preliminar del grado de exposición.

AVISO: Las vibraciones generadas durante el uso real de la herramienta eléctrica pueden diferir del valor declarado en función de la manera en que se utilice. Como protección, el usuario debería utilizar guantes y protectores auditivos en condiciones reales de uso.

ACCESORIOS RECOMENDADOS

⚠ ADVERTENCIA: Las siguientes piezas están sujetas a desgaste debido al uso normal. Utilice solo piezas idénticas a las originales de la lista siguiente. La utilización de recambios que no cumplan las

especificaciones de los equipos originales podría provocar un funcionamiento incorrecto y reducir la seguridad de la herramienta.

NOMBRE DE LA PIEZA	N.º DE MODELO
Juego de paletas de goma y barrenas de goma	ARP2120
Rascador	ASS2120

DESCRIPCIÓN

FAMILIARÍCESE CON EL SOPLADOR DE NIEVE (Fig. A1 - A3)

1. Empuñadura principal
2. Interruptor del embrague (palanca de conmutación)
3. Indicador de potencia
4. Empuñadura de elevación
5. Palanca de liberación rápida
6. Tapa del compartimento de la batería
7. Rueda (x2)
8. Cubierta de la correa de transmisión
9. Conjunto de barrenas
10. Faros LED
11. Deflector de la tolva
12. Mando del deflector de la tolva
13. Mando de rotación de la tolva
14. Llave hexagonal
15. Selector de velocidad de la barrena
16. Interruptor de los faros LED
17. Botón de seguridad
18. Botón de liberación de la batería
19. Tornillo de bloqueo
20. Seguro
21. Mecanismo de expulsión
22. Contactos eléctricos

LISTA DE CONTENIDO (FIG. A1)

MONTAJE

DESPLIEGAR LOS TUBOS LATERALES

1. El soplador de nieve se envía con los tubos laterales en la posición plegada y bloqueada (fig. B1).
2. Abra las palancas de liberación rápida en ambos lados y gire suavemente los tubos laterales hacia arriba hasta que se detengan (fig. B2 y B3).
3. Cierre las palancas de liberación rápida y, a continuación, apriete los tornillos de bloqueo (fig. B4).

INSTALACIÓN DE LA TOLVA

1. Use la llave hexagonal provista para aflojar y quitar los dos juegos de tornillos y arandelas en la base de la tolva (fig. C1).

C1-1	Base de la tolva
------	------------------

2. Alinee las entalladuras de la tolva con la ranura en la base de la tolva y, a continuación, empuje la tolva a su lugar (fig. C2).

C2-1	Entalladura la tolva	C2-2	Ranura en la base de la tolva
------	----------------------	------	-------------------------------

3. Utilice la llave hexagonal provista para bloquear la tolva en su lugar con los dos juegos de tornillos y arandelas (fig. C3).

FUNCIONAMIENTO

INSTALAR/QUITAR LA BATERÍA

Utilice únicamente las baterías y los cargadores de EGO indicados en la fig. A4.

Consulte los manuales de las baterías y cargadores correspondientes para obtener más detalles.

Cargue totalmente la batería antes de usarla por primera vez.

1. Levante la tapa del compartimiento de las baterías elevando la parte delantera de la tapa (fig. D1).
2. **Para instalarla**, alinee las nervaduras de la batería con las ranuras de montaje, e introduzca la batería presionándola hacia abajo hasta oír un «clic». Instale la otra batería. (Fig. D2).
3. **Para sacarla**, pulse el botón de liberación de la batería y saque la batería tirando de ella (fig. D3).

D3-1	Botón de liberación de la batería
------	-----------------------------------

4. Cierre la tapa del compartimiento de las baterías.

ARRANQUE/PARADA DEL SOPLADOR DE NIEVE

AVISO: No encienda y apague rápidamente el soplador de nieve.

Para poner en marcha el soplador de nieve, proceda del modo siguiente:

1. Instale la(s) batería(s) en el soplador de nieve y cierre la tapa de las baterías.

2. Encienda el soplador de nieve presionando el botón de seguridad.
3. Con el botón de seguridad presionado, tire hacia arriba del interruptor del embrague hasta la empuñadura principal (fig. E1).

E1-1	Botón de seguridad	E1-2	Interruptor del embrague
------	--------------------	------	--------------------------

4. Una vez que la barrena arranque, suelte el botón de seguridad y comience la operación (fig. E2).
5. **Para avanzar**, levante la empuñadura principal para permitir que el conjunto de barrenas entre en contacto con el suelo (fig. E3). La tracción de la barrena ayudará a mover el soplador de nieve hacia adelante.

E3-1	Posición normal de funcionamiento	E3-2	Posición con propulsión por barrena
E3-3	Conjunto de barrenas en contacto con el suelo		

AVISO: Es posible que el soplador de nieve no arranque correctamente si la temperatura de la batería es de -20 °C o menos. Si el aparato no arranca, saque la batería del aparato y deje que se caliente en el interior durante 10 minutos como mínimo. Vuelva a instalar la batería y pruebe de nuevo.

Para apagar el soplador de nieve

1. Suelte totalmente el interruptor del embrague (fig. E4).

E4-1	Botón de seguridad (totalmente soltado)	E4-2	Interruptor del embrague (totalmente soltado)
------	---	------	---

2. El freno eléctrico en el mecanismo de frenado automático detendrá la rotación de la barrena después de que se suelte el interruptor del embrague.

Sistema de velocidad variable de la barrena (fig. E5)

1. Para aumentar la velocidad de la barrena, aleje el selector de velocidad de la barrena del operador.
2. Para disminuir la velocidad, mueva el selector de velocidad de la barrena hacia el operador.

Faros LED (fig. E6)

1. Para encender los faros, pulse el interruptor de los faros LED. Los faros proporcionan una luz intensa que ilumina la zona situada delante del soplador de nieve.
2. Para apagar los faros, pulse de nuevo vez el interruptor de los faros LED.

ES

NOTA: Los faros LED se apagarán automáticamente cuando el soplador de nieve esté inactivo durante 5 minutos, para conservar la carga de la batería.

ES

AJUSTE DE LA TOLVA

La **dirección** de retirada de la nieve se puede ajustar hasta 180° (fig. E7)

E7-1	Mando de rotación de la tolva	E7-2	Tolva
------	-------------------------------	------	-------

1. Empuje el mando de rotación de la tolva hacia adelante para girar la tolva hacia la izquierda.
2. Tire del mando de rotación de la tolva hacia atrás para girar la tolva hacia la derecha.

La **distancia de lanzamiento** del soplador de nieve está determinada en parte por el ángulo de inclinación del deflector de la tolva (fig. E8).

E8-1	Gatillo	E8-2	Deflector de la tolva
------	---------	------	-----------------------

1. Para aumentar la distancia a la que se lanza la nieve, apriete el gatillo en el mando del deflector de la tolva y levante después el deflector de la tolva. Suelte el gatillo en el mando del deflector de la tolva para bloquear el deflector de la tolva en su posición.
2. Para disminuir la distancia a la que se lanza la nieve, simplemente baje el deflector con el mando del deflector de la tolva.

ELIMINAR UNA OBSTRUCCIÓN DE LA TOLVA

1. ¡Apague el motor y la barrena!
2. Saque la/s batería/s del soplador de nieve.
3. Espere hasta que la barrena haya dejado de girar.
4. Utilice siempre una herramienta de limpieza, como una varilla de madera u otras herramientas de limpieza disponibles comercialmente; no use su mano.

INDICADOR DE POTENCIA EN EL SOPLADOR DE NIEVE

El indicador de potencia se encenderá solo cuando se arranque el soplador de nieve.

INDICADOR DE POTENCIA	SIGNIFICADO	ACCIÓN
Parpadeando en verde	El botón de seguridad está presionado y el soplador de nieve está encendido y listo para funcionar. Cada batería insertada tiene al menos el 15 % de su carga.	No procede
Encendido en verde	El soplador de nieve funciona correctamente y cada batería tiene al menos el 15 % de su carga.	No procede
Parpadeando en rojo	El nivel de carga de la(s) batería(s) es bajo. La barrena no gira, pero los faros LED podrían estar encendidos por un momento.	Apague el soplador de nieve y cargue la(s) batería(s).
Encendido en naranja	El soplador de nieve se ha sobrecalentado.	Detenga el soplador de nieve y espere un tiempo para que se enfríe la máquina.
Parpadeando en naranja	El soplador de nieve se ha sobrecargado.	Quite la(s) batería(s). Revise y elimine la nieve que se haya acumulado debajo o que esté alojada en la barrena. Reduzca la velocidad o disminuya el ancho de la franja de limpieza de nieve cuando esté trabajando.

Parpadeando alternativamente en rojo y verde	Fallo de comunicación.	Póngase en contacto con el servicio de asistencia técnica de EGO para solicitar la reparación de la herramienta.
No hay indicación	Si el indicador LED de una o ambas baterías parpadea en color naranja o se enciende en rojo, las baterías están sobrecalentadas.	Detenga el soplador de nieve y deje que la batería se enfríe.
	Otras averías: interruptor, luz, etc.	Póngase en contacto con el servicio de asistencia técnica de EGO para solicitar la reparación de la herramienta.

de encendido del soplador de nieve estará apagado y el indicador LED de la batería parpadeará en naranja o se encenderá en rojo. Consulte el apartado «**PROTECCIÓN DE LA BATERÍA**» en el manual del usuario de la batería para obtener más información sobre el indicador LED en la batería.

Suelte el interruptor del embrague y espere hasta que la(s) batería(s) sobrecalentada(s) se enfríe(n) y la luz del indicador LED de la batería cambie a verde y, a continuación, reinicie el soplador de nieve.

Para evitar que se apague debido a la protección contra sobrecalentamiento de la batería, no intente usar una sola batería para alimentar el soplador de nieve cuando la profundidad de la nieve acumulada supere los 76 mm o cuando la nieve esté muy húmeda o helada. Recomendamos el uso de dos baterías trabajando simultáneamente. Esto es útil para alcanzar la máxima potencia del soplador de nieve.

Después de que se haya activado la protección contra sobrecalentamiento, reduzca la velocidad y disminuya el ancho de la franja de limpieza de nieve para reducir la carga de la batería.

PROTECCIÓN CONTRA SOBRECARGA DEL SOPLADOR DE NIEVE

Para evitar condiciones de sobrecarga, no trate de retirar demasiada nieve de una sola pasada. Reduzca la velocidad o disminuya el ancho de la franja de limpieza de nieve.

El soplador de nieve tiene elementos sensores de sobrecarga incorporados. Cuando el soplador de nieve está sobrecargado, el motor reduce automáticamente la velocidad y se escucha cómo disminuye el nivel de ruido del motor. En caso de sobrecarga, reduzca la velocidad o reduzca el ancho de limpieza, después de lo cual la velocidad del motor volverá automáticamente a su configuración normal. Si con esta medida no se soluciona la situación de sobrecarga, el sensor apagará el motor automáticamente y el indicador de potencia parpadeará de color naranja. Saque la/s batería/s del soplador de nieve. Verifique si hay nieve o hielo atascado en la barrena y la plataforma y use una herramienta de limpieza para limpiarlos según sea necesario. Vuelva a instalar la(s) batería(s) y arranque de nuevo el soplador de nieve.

PROTECCIÓN CONTRA SOBRECALENTAMIENTO DE LA BATERÍA

Si la temperatura de la batería supera los 70 °C durante el funcionamiento, el circuito de protección de temperatura apagará inmediatamente el soplador de nieve para proteger las baterías de daños por sobrecalentamiento. El indicador

MANTENIMIENTO

⚠ ADVERTENCIA: Asegúrese de apagar la unidad y quitar la(s) batería(s) antes de realizar cualquier tarea de mantenimiento en el soplador de nieve.

MANTENIMIENTO GENERAL

Evite utilizar disolventes para limpiar las piezas de plástico. La mayoría de los plásticos podrían dañarse si se limpian con algunos de los tipos de disolventes disponibles en el mercado. Utilice paños limpios para eliminar la suciedad y los residuos de polvo, aceite, grasa, etc.

LUBRICACIÓN DE LA MÁQUINA

Todos los cojinetes de este producto están lubricados con una cantidad de lubricante de alto grado suficiente para toda la vida útil del aparato en condiciones normales de funcionamiento. Por tanto, no es necesario volver a lubricar los cojinetes.

SUSTITUCIÓN DEL RASCADOR

Herramientas necesarias (no incluidas):

- Llave de extremo abierto de 8 mm
- Destornillador T20 Torx

1. El rascador está ubicado en la parte inferior de la plataforma del soplador de nieve, debajo de la barrena (fig. F1).

F1-1	Rascador
------	----------

2. Coloque el soplador de nieve sobre el lateral (fig. F2).
3. Utilice guantes. Quite los 5 juegos de tuercas, arandelas elásticas y tornillos del exterior, y quite los 2 tornillos Torx del interior. Quite el rascador desgastado (fig. F2).

F2-1	Tuerca exterior (x5)	F2-2	Tornillo Torx (x2)
------	----------------------	------	--------------------

4. Instale el rascador nuevo e inserte los 2 tornillos Torx (fig. F3).

F3-1	Agujero interior (x2)	F3-2	Rascador (superficie brillante hacia el interior)
F3-3	Tornillo Torx (x2)		

5. Inserte los 5 tornillos y apriete con las arandelas elásticas y las tuercas (fig. F4 y F5).

F5-1	Tuerca	F5-2	Arandela de resorte
F5-3	Plataforma	F5-4	Rascador
F5-5	Tornillo		

SUSTITUCIÓN DE LAS PALETAS DE GOMA Y LAS BARRENAS DE GOMA

Para sustituir las paletas de goma: (Fig. G1)

G1-1	Paletas de goma	G1-2	2 juegos de tornillos y tuercas en cada paleta (un total de 4 juegos)
------	-----------------	------	---

Herramientas necesarias (no incluidas):

- Destornillador de cabeza plana
 - Llave de extremo abierto (10 mm)
1. Utilice guantes. Gire manualmente la barrena de acero a la posición adecuada para desmontar fácilmente las paletas de goma.
 2. Quite todos los tornillos y tuercas de sujeción para sacar las paletas de goma.
 3. Reemplácelas con las nuevas paletas de goma y apriételas firmemente.

Para sustituir las barrenas de goma (fig. G2)

G2-1	Barrena de goma (x4)	G2-2	1 juego de tornillos, arandelas y tuercas en cada barrena (un total de 4 juegos)
G2-3	2 juegos de tornillos y tuercas en cada barrena (un total de 8 juegos)		

Herramientas necesarias:

- Llave de extremo abierto de 13 mm (no incluida)
 - Llave hexagonal de 5 mm (incluida)
1. Utilice guantes. Gire manualmente la barrena de acero a la posición adecuada para desmontar fácilmente las barrenas de goma.
 2. Quite todos los tornillos y tuercas de sujeción para sacar las barrenas de goma.
 3. Reemplácelas con las nuevas barrenas de goma y apriételas firmemente.

ALMACENAMIENTO DEL SOPLADOR DE NIEVE

- Saque la(s) batería(s) y guárdelas en un lugar seguro, fuera del alcance de los niños.

Antes del almacenamiento, limpie la humedad, la suciedad o los residuos del compartimento de las baterías y sus alrededores.

- Limpie el soplador de nieve con un paño limpio y seco.
- Compruebe que todas las tuercas, pernos, pomos, tornillos, etc. estén bien apretados.
- Inspeccione las piezas móviles para detectar daños, rotura y desgaste. Lleve el aparato a reparar si alguna pieza falta o está dañada.
- Pliegue los tubos laterales a la posición de almacenamiento.
- Guarde el soplador de nieve en un lugar limpio, seco y cerrado, fuera del alcance de los niños.
- No la guarde cerca de materiales corrosivos, como fertilizantes o sal gema.

PLEGADO DE LOS TUBOS LATERALES

1. Empuje el mando de rotación de la tolva completamente hacia adelante para que la tolva quede hacia la izquierda, lo que asegurará que no cause interferencia al plegar. Apriete el gatillo en el mando del deflector de la tolva para inclinarlo completamente hacia abajo (fig. H1).
2. Abra las palancas de liberación rápida en ambos lados para plegar los tubos laterales a la posición de almacenamiento (fig. H2).

ELEVACIÓN Y TRANSPORTE DEL SOPLADOR DE NIEVE

1. Quite la(s) batería(s).
2. Pliegue los tubos laterales como se describe en el capítulo anterior.
3. Levante y transporte la unidad agarrando la empuñadura de elevación con una mano y el área de elevación, en la parte superior de la entrada de nieve (justo debajo del logotipo de EGO), con la otra mano (fig. I).

ES

I-1	Área de elevación	I-2	Empuñadura de elevación
-----	-------------------	-----	-------------------------

PROTECCIÓN DEL MEDIO AMBIENTE



RAEE (Residuos de Aparatos Eléctricos y Electrónicos) ¡No elimine aparatos eléctricos, baterías usadas ni cargadores de baterías junto con los desperdicios domésticos! Lleve este producto a un punto de reciclaje autorizado y deposítelo por separado según corresponda. Las herramientas eléctricas se deben llevar a un punto de reciclaje con fin de proteger el medio ambiente.

SOLUCIÓN DE PROBLEMAS

ES

PROBLEMA	CAUSA	SOLUCIÓN
Los tubos laterales no permanecen en su posición.	<ul style="list-style-type: none"> Los tornillos de bloqueo en los tubos laterales y/o las palancas de liberación rápida no están sujetos. 	<ul style="list-style-type: none"> Asegúrese de que los tornillos de bloqueo en los tubos laterales estén completamente apretados y que las palancas de liberación rápida estén completamente cerradas.
El soplador de nieve no arranca.	<ul style="list-style-type: none"> Carga de la batería demasiado baja. La barrena está congelada debido a nieve o hielo. La batería está sobrecalentada. El indicador LED de la(s) batería(s) parpadea de color naranja o se enciende de color rojo (consulte el apartado «PROTECCIÓN CONTRA SOBRECALENTAMIENTO DE LA BATERÍA» en este manual). Pasos incorrectos realizados para encender el soplador de nieve. Fallo no identificado 	<ul style="list-style-type: none"> Cargue la batería. Quite primero la(s) batería(s) y después use una herramienta de limpieza para limpiar la nieve o el hielo que obstruyen la barrena. Vuelva a instalar las baterías y arranque de nuevo el soplador de nieve. Quite la(s) batería(s) sobrecalentada(s) del soplador de nieve y espere hasta que se enfríe(n) a aproximadamente 67 °C. Vuelva a instalar la(s) batería(s) y arranque de nuevo el soplador de nieve. (1) Presione el botón de seguridad hasta que el indicador de potencia parpadee en verde. (2) Con el botón presionado, tire hacia arriba del interruptor del embrague hasta la empuñadura principal. Póngase en contacto con el servicio de asistencia técnica de EGO para solicitar la reparación de la herramienta.
El motor está encendido, pero la barrena no gira.	<ul style="list-style-type: none"> La correa de transmisión está desgastada o rota. 	<ul style="list-style-type: none"> Póngase en contacto con el servicio de asistencia técnica de EGO para solicitar la reparación de la herramienta.
Después de pasar, el soplador de nieve deja una capa de nieve en el suelo.	<ul style="list-style-type: none"> El rascador está desgastado. 	<ul style="list-style-type: none"> Vuelva a colocar el rascador siguiendo el apartado «SUSTITUCIÓN DEL RASCADOR» en este manual.

PROBLEMA	CAUSA	SOLUCIÓN
El soplador de nieve arroja menos nieve.	<ul style="list-style-type: none"> ■ Las paletas de goma están desgastadas. ■ La velocidad de la barrena puede ser demasiado baja. 	<ul style="list-style-type: none"> ■ Vuelva a colocar las paletas de goma siguiendo el apartado «PARA SUSTITUIR LAS PALETAS DE GOMA» de este manual. ■ Aumente la velocidad de las barrenas
La barrena no logra tracción y se requiere un esfuerzo adicional para empujar el soplador de nieve hacia adelante.	<ul style="list-style-type: none"> ■ Las barrenas de goma están desgastadas. 	<ul style="list-style-type: none"> ■ Vuelva a colocar las barrenas de goma siguiendo el apartado «PARA SUSTITUIR LAS BARRENAS DE GOMA» de este manual.

ES

GARANTÍA

POLÍTICA DE GARANTÍA DE EGO

Visite la página web egopowerplus.com para conocer los términos y condiciones completos de la política de garantía de EGO.

LEIA TODAS AS INSTRUÇÕES!**LEIA O MANUAL DO UTILIZADOR****PT****SÍMBOLO DE SEGURANÇA**

O funcionamento de qualquer ferramenta elétrica pode dar origem ao ressalto de quaisquer objetos estranhos que podem atingir os olhos, podendo dar origem a sérias lesões oculares. Antes de começar a utilizar a ferramenta elétrica, utilize sempre óculos de segurança com proteções laterais e uma proteção completa para a cara, quando necessário. Recomendamos Máscaras de Segurança com Visão Panorâmica por cima de óculos, ou óculos de segurança padrão com proteção lateral.



Alerta de segurança



Para reduzir o risco de ferimentos, o utilizador tem de ler e compreender o manual do utilizador antes de utilizar este produto.



Use sempre óculos de segurança com proteção lateral e, se necessário, uma proteção completa do rosto, quando utilizar este produto.



Não utilize as mãos para desobstruir a saída.

**CUIDADO:** Não olhe diretamente para a lâmpada em funcionamento.

Mantenha as mãos e pés afastados.



Mantenha os pés afastados da hélice rotativa.



Nível de potência do som garantido. Emissão de ruído para o ambiente de acordo com a diretiva da Comunidade Europeia.



Os produtos elétricos residuais não deverão ser eliminados juntamente com o lixo doméstico comum. Entregue-os num centro de reciclagem autorizado.



Este produto encontra-se em conformidade com as diretivas CE aplicáveis.



Corrente direta



Este produto encontra-se em conformidade com a legislação no Reino Unido.

IPX4 Grau de proteção contra a entrada de água

V Volts

cm Centímetros

m Medidor

kg Quilograma

CARACTERÍSTICAS TÉCNICAS

Voltagem	56 V	
Largura de libertação	520 mm	
Altura de entrada	330 mm	
Distância de lançamento	Até 14 m	
Tamanho da roda	178 mm	
Temperatura de funcionamento recomendada	-20°C - 10°C	
Temperatura de armazenamento	-20°C - 70°C	
Peso (sem a bateria)	27 kg	
Nível de potência do som medido L_{WA}	96 dB(A) K=1,8 dB(A)	
Nível da pressão do som no ouvido do operador L_{PA}	80 dB(A) K=4 dB(A)	
Nível de potência acústica garantido L_{WA} (medido de acordo com 2000/14/CE)	98 dB(A)	
Avaliação da vibração a_{v} :	Pega esquerda	1,3 m/s ² K=1,5 m/s ²
	Pega direita	1,3 m/s ² K=1,5 m/s ²

- O valor total declarado da vibração foi medido de acordo com um método de teste padrão e pode ser usado para comparar duas ferramentas.
- O valor total declarado da vibração também pode ser usado numa avaliação preliminar da exposição.

OBSERVAÇÃO: A emissão de vibrações durante a utilização da ferramenta elétrica pode diferir do valor declarado em que a ferramenta é usada. De modo a proteger o utilizador, este deverá usar luvas e proteção auditiva nas condições atuais de utilização.

ACESSÓRIOS RECOMENDADOS

⚠ AVISO: As seguintes peças estão sujeitas a desgaste devido ao uso normal. Use apenas peças sobresselentes idênticas listadas abaixo. A utilização de peças que não vão ao encontro das especificações do equipamento original pode dar origem a um desempenho inadequado e comprometer a segurança.

NOME DA PEÇA	NÚMERO DO MODELO
Conjunto de pá de borra-cha e verruma de borra-cha	ARP2120
Barra raspadora	ASS2120

DESCRIÇÃO

CONHEÇA O SEU SOPRADOR DE NEVE (Imagem A1 - A3)

1. Pega principal
2. Interruptor de asa (alavanca do interruptor)
3. Indicador da energia
4. Pega de elevação
5. Alavanca de libertação rápida
6. Tampa do compartimento da bateria
7. Roda (x2)
8. Cobertura da correia de transmissão
9. Conjunto da verruma
10. Luzes LED
11. Defletor de saída
12. Pega do defletor de saída
13. Pega de rotação de saída
14. Chave sextavada
15. Disco da velocidade da verruma
16. Interruptor das luzes LED
17. Botão de segurança
18. Botão de libertação da bateria
19. Manípulo de fixação
20. Trinco
21. Mecanismo de ejeção
22. Contacto elétrico

LISTA DE PEÇAS (IMAGEM A1)

MONTAGEM

DESDOBRAR AS CALHAS LATERAIS

1. O seu soprador de neve vem com as calhas laterais dobradas e fixadas (Imagem B1).
2. Abra as alavancas de libertação rápida em ambos os lados e oscile gentilmente as calhas laterais para cima até pararem (Imagem B2 e B3).
3. Feche as alavancas de libertação rápida e aperte os manípulos de fixação (Imagem B4).

INSTALAR A SAÍDA

1. Use a chave sextavada fornecida para desapertar e retirar os dois conjuntos de parafusos e anilhas na base da saída (Imagem C1).

C1-1	Base da saída
------	---------------

- Alinhe as ranhuras da saída com a ranhura na base da saída e pressione a saída para o respetivo lugar (Imagem C2).

C2-1	Ranhura da saída	C2-2	Ranhura na base da saída
------	------------------	------	--------------------------

- Use a chave sextavada fornecida para fixar a saída no respetivo lugar com os dois conjuntos de parafusos e anilhas (Imagem C3).

PT

FUNCIONAMENTO

FIXAR/RETIRAR A BATERIA

Utilize apenas com as baterias e carregadores da EGO listados na Imagem A4.

Consulte os manuais da bateria e do carregador para obter mais detalhes.

Carregue por completo antes da primeira utilização.

- Levante a frente da tampa do compartimento da bateria (Imagem D1).
- Para fixar**, alinhe as abas da bateria com as ranhuras de fixação e empurre a bateria para baixo até ouvir um “clique”. Fixe a outra bateria. (Imagem D2)
- Para libertar**, prima o botão de libertação da bateria e puxe a bateria para fora (Imagem D3).

D3-1	Botão de libertação da bateria
------	--------------------------------

- Feche a tampa do compartimento da bateria.

LIGAR/DESLIGAR O SOPRADOR DE NEVE

AVISO: Não ligue e desligue rapidamente o soprador de neve.

Ligar o soprador de neve

- Fixe a bateria no soprador de neve e feche a tampa do compartimento da bateria.
- Ligue o soprador de neve premindo o botão de segurança.
- Com o botão de segurança premido, puxe o interruptor de asa para cima para a pega principal (Imagem E1).

E1-1	Botão de segurança	E1-2	Interruptor de asa
------	--------------------	------	--------------------

- Quando a verruma começa a funcionar, liberte o botão de segurança e comece a utilização (Imagem E2).

- Para avançar**, levante a pega principal para permitir ao conjunto da verruma contactar com o chão (Imagem E3). A tração da verruma ajuda a fazer o soprador de neve avançar.

E3-1	Posição normal de funcionamento	E3-2	Posição da verruma em movimento
E3-3	Conjunto da verruma a contactar o chão		

AVISO: O soprador de neve pode não começar a funcionar corretamente se a temperatura da bateria for inferior a -20 °C. Se a unidade não começar a funcionar, retire a bateria do soprador de neve e deixe-a aquecer no interior durante mais de 10 minutos. Volte a instalar a bateria e tente de novo.

Parar o soprador de neve

- Liberte por completo o interruptor de asa (Imagem E4).

E4-1	Botão de segurança (completamente libertado)	E4-2	Interruptor de asa (completamente libertado)
------	--	------	--

- O travão elétrico do mecanismo de travagem automática vai parar a rotação da verruma após libertar o interruptor de asa.

Sistema de velocidade variável da verruma (Imagem E5)

- Para aumentar a velocidade da verruma, afaste o disco da velocidade da verruma do operador.
- Para diminuir a velocidade da verruma, aproxime o disco da velocidade da verruma do operador.

Luzes LED (Imagem E6)

- Para ligar as luzes, prima o interruptor das luzes LED. As luzes fornecem iluminação na frente do soprador de neve.
- Para desligar as luzes, prima de novo o interruptor das luzes LED.

NOTA: As luzes LED desligam-se automaticamente quando o soprador de neve estiver inativo durante 5 minutos, para preservar a carga da bateria.

AJUSTAR A SAÍDA

A **direção** da neve removida pode ser ajustada até 180° (Imagem E7).

E7-1	Pega de rotação da saída	E7-2	Saída
------	--------------------------	------	-------

1. Pressione a pega de rotação da saída para a frente para rodar a saída para a esquerda.
2. Puxe a pega de rotação da saída para trás para rodar a saída para a direita.

A **distância de lançamento** do soprador de neve é determinada em parte pelo ângulo de inclinação do defletor de saída (Imagem E8).

E8-1	Gatilho	E8-2	Defletor de saída
------	---------	------	-------------------

1. Para aumentar a distância a que a neve é atirada, aperte o gatilho na pega do defletor de saída e levante o defletor de saída. Liberte o gatilho na pega do defletor de saída para fixar o defletor de saída no respetivo lugar.
2. Para diminuir a distância a que a neve é atirada, basta baixar o defletor com a pega do defletor de saída.

DESOBSTRUIR UMA SAÍDA OBSTRUÍDA

1. Desligue o motor e a verruma!
2. Retire as baterias do soprador de neve.
3. Espere até que a verruma pare de rodar.
4. Use sempre uma ferramenta de limpeza, como uma haste de madeira ou outras ferramentas disponíveis comercialmente. Não use as mãos.

INDICADOR DA ENERGIA NO SOPRADOR DE NEVE

O indicador da energia acende apenas quando o soprador de neve for ligado.

INDICADOR DA ENERGIA	SIGNIFICADO	AÇÃO
Pisca a verde	O botão de segurança foi premido e o soprador de neve foi ligado e está pronto para ser utilizado. Cada bateria inserida tem, pelo menos, 15% de carga.	n/a
Verde brilhante	O soprador de neve está a funcionar corretamente e cada bateria tem, pelo menos, 15% de carga.	n/a

Pisca a vermelho	A carga da bateria está baixa. A verruma não liga, mas as luzes LED podem acender durante um curto espaço de tempo.	Pare o soprador de neve e recarregue as baterias.
Cor-de-laranja brilhante	O soprador de neve sobreaqueceu.	Pare o soprador de neve e espere um bocado para que a máquina arrefeça.
Cor-de-laranja a piscar	O soprador de neve está sobrecarregado.	Retire as baterias. Verifique e limpe qualquer neve que tenha ficado por baixo da verruma ou fixada a esta. Diminua o ritmo ou a largura de limpeza da neve durante o funcionamento.
Pisca a vermelho e verde alternadamente	Falha de comunicação.	Contacte o centro de reparação da EGO para efetuar a reparação.
Sem indicação	Se o indicador LED numa das baterias piscar a cor-de-laranja ou acender a vermelho, as baterias sobreaqueceram.	Pare o soprador de neve e deixe a bateria arrefecer.
	Outras falhas: Interruptor, luz, etc.	Contacte o centro de reparação da EGO para efetuar a reparação.

PROTEÇÃO CONTRA SOBRECARGAS DO SOPRADOR DE NEVE

Para evitar condições de sobrecarga, não tente retirar demasiada neve de uma vez. Diminua o ritmo ou a largura de limpeza da neve.

O seu soprador de neve tem elementos incorporados sensíveis à sobrecarga. Quando o soprador de neve está sobrecarregado, o motor diminui automaticamente a velocidade e ouvirá um ruído da diminuição do motor.

No caso de sobrecarga, abra o ritmo ou diminua a largura de libertação. Depois, a velocidade do motor volta automaticamente ao normal. Se esta solução não resolver a situação de sobrecarga, o sensor desliga automaticamente o motor e o indicador da energia pisca a cor-de-laranja.

Retire as baterias do soprador de neve. Verifique se existe neve ou gelo preso na verruma e plataforma, e use uma ferramenta de limpeza para limpar, conforme necessário. Volte a instalar as baterias e ligue o soprador de neve.

PROTEÇÃO CONTRA ALTA TEMPERATURA DA BATERIA

Se a temperatura da bateria exceder os 70 °C durante o funcionamento, o circuito de proteção da temperatura desliga imediatamente o soprador de neve para proteger as baterias de danos relativos ao sobreaquecimento. O indicador da energia no soprador de neve desliga-se e o indicador LED na bateria pisca a cor-de-laranja ou acende a vermelho. Por favor, consulte a secção **“PROTEÇÃO DA BATERIA”** no manual do utilizador da bateria para saber mais sobre o indicador LED na bateria.

Liberte o interruptor de asa e espere que as baterias sobreaquecidas arrefeçam e a luz no indicador LED da bateria fique verde. Depois, reinicie o soprador de neve.

Para evitar que o aparelho se desligue devido à proteção contra alta temperatura da bateria, não tente usar uma bateria apenas para alimentar o soprador de neve quando a profundidade de neve acumulada exceder os 76 mm ou quando a neve estiver muito húmida ou gelada. Recomendamos a utilização de duas baterias em simultâneo. Isto é útil para atingir a potência de pico do soprador de neve.

Após ter ocorrido uma proteção contra alta temperatura, abra o seu ritmo e estreite a largura de limpeza de neve para reduzir a carga sobre a bateria.

MANUTENÇÃO

⚠ AVISO: Certifique-se de que desliga a unidade e que retira as baterias antes de efetuar qualquer tarefa de manutenção no seu soprador de neve.

MANUTENÇÃO GERAL

Evite usar solventes quando limpar peças de plástico. Grande parte dos plásticos é suscetível a danos devido a vários tipos de solventes comerciais. Use panos limpos para retirar a sujidade, pó, óleo, gordura, etc.

LUBRIFICAR A MÁQUINA

Todos os rolamentos deste produto estão lubrificados com uma quantidade suficiente de lubrificante para o tempo de vida da unidade sob condições normais de funcionamento.

Assim, não é necessário lubrificá-la.

SUBSTITUIR A BARRA RASPADORA

Ferramentas necessárias (não incluídas):

- Chave de extremidade aberta de 8 mm
- Chave de fendas Torx T20

1. A barra raspadora encontra-se no fundo da plataforma do soprador de neve, por baixo da verruma (Imagem F1).

F1-1	Barra raspadora
------	-----------------

2. Vire o soprador de neve de lado (Imagem F2).
3. Use luvas. Retire os 5 conjuntos de porcas, anilhas de mola e parafusos do exterior, e retire os 2 parafusos Torx a partir do interior. Liberte a barra raspadora gasta (Imagem F2).

F2-1	Porca do exterior (x5)	F2-2	Parafuso Torx (x2)
------	------------------------	------	--------------------

4. Fixe a nova barra raspadora e insira os 2 parafusos Torx (Imagem F3).

F3-1	Orifício interior (x2)	F3-2	Barra raspadora (superfície a brilhar virada para dentro)
F3-3	Parafuso Torx (x2)		

5. Insira os 5 parafusos e aperte com anilhas de mola e porcas (Imagem F4 e F5).

F5-1	Porca	F5-2	Anilha de mola
F5-3	Plataforma	F5-4	Barra raspadora
F5-5	Parafuso		

SUBSTITUIR AS PÁS DE BORRACHA E VERRUMAS DE BORRACHA

Para substituir as pás de borracha: (Imagem G1)

G1-1	Pás de borracha	G1-2	2 conjuntos de parafusos e porcas em cada pá (total de 4 conjuntos)
------	-----------------	------	---

Ferramentas necessárias (não incluídas):

- Chave de fendas
- Chave de extremidade aberta de 10 mm

1. Use luvas. Rode manualmente a verruma de aço para a posição adequada para uma desmontagem fácil da pá de borracha.
2. Retire todos os parafusos de fixação e porcas para retirar as pás de borracha.
3. Substitua-as pelas novas pás de borracha e fixe-as bem.

Substituir as verrumas de borracha (Imagem G2)

G2-1	Verruma de borracha (x4)	G2-2	1 conjuntos de parafusos, anilhas e porcas em cada verruma (total de 4 conjuntos)
G2-3	2 conjuntos de parafusos e porcas em cada verruma (total de 8 conjuntos)		

Ferramentas necessárias:

- Chave de extremidade aberta de 13 mm (não incluída)
 - Chave sextavada de 5 mm (fornecida)
1. Use luvas. Rode manualmente a verruma de aço para a posição adequada para uma desmontagem fácil da verruma de borracha.
 2. Retire todos os parafusos de fixação e porcas para retirar as verrumas de borracha.
 3. Substitua-as pelas novas verrumas de borracha e fixe-as bem.

GUARDAR O SOPRADOR DE NEVE

- Retire as baterias e guarde-as num local seguro fora do alcance das crianças.

Antes do armazenamento, limpe qualquer humidade, sujidade ou resíduos do compartimento da bateria e em redor deste.

- Limpe o soprador de neve com um pano limpo e seco.
- Verifique todas as porcas, manípulos, parafusos, etc., quanto ao aperto.
- Inspeccione as peças móveis quanto a danos, quebras e desgaste. As peças danificadas ou em falta deverão ser reparadas.
- Dobre as calhas laterais para a posição de armazenamento.
- Guarde o soprador de neve num local limpo, seguro, fechado e fora do alcance das crianças.
- Não guarde perto de materiais corrosivos, como fertilizante ou pedras de sal.

DOBRAR AS CALHAS LATERAIS

1. Pressione a pega de rotação da saída completamente para a frente, de modo a que a saída fique virada para a esquerda, o que garante que não haverá interferências enquanto dobra. Aperte o gatilho na pega do defletor de saída para inclinar completamente para baixo (Imagem H1).
2. Abra as alavancas de libertação rápida em ambos os lados para dobrar as calhas laterais para a posição de armazenamento (Imagem H2).

ELEVAR E TRANSPORTAR O SOPRADOR DE NEVE

1. Retire as baterias.
2. Dobre as calhas laterais conforme descrito no capítulo anterior.
3. Levante e transporte a unidade segurando a pega de elevação com uma mão, e levante a área no topo da entrada de neve (mesmo por baixo do logótipo EGO) com a outra mão (Imagem I).

I-1	Área de elevação	I-2	Pega de elevação
-----	------------------	-----	------------------

PROTEJA O AMBIENTE



REEE (Resíduos de Equipamento Elétrico e Eletrónico) Não elimine equipamento elétrico, bateria gasta nem carregador juntamente com o lixo doméstico comum! Leve este produto a um centro de reciclagem autorizado para que possa haver uma separação das peças. As ferramentas elétricas têm de ser devolvidas em instalações de reciclagem ambientalmente compatíveis.

RESOLUÇÃO DE PROBLEMAS

PT

PROBLEMA	CAUSA	SOLUÇÃO
As calhas laterais não permanecem na respetiva posição.	<ul style="list-style-type: none"> Os manípulos de fixação nas calhas laterais e/ou alavancas de libertação rápida não estão fixados. 	<ul style="list-style-type: none"> Certifique-se de que os manípulos de fixação nas calhas laterais estão completamente apertados, e que as alavancas de libertação rápida estão completamente fechadas.
O soprador de neve não reinicia.	<ul style="list-style-type: none"> A carga da bateria está fraca. A verruma foi congelada pela neve ou gelo. A bateria sobreaqueceu. O indicador LED nas baterias pisca a cor-de-laranja ou acende a vermelho (consulte a secção “PROTEÇÃO CONTRA ALTA TEMPERATURA DA BATERIA” neste manual). Passos incorretos para ligar o soprador de neve. Falha não identificada 	<ul style="list-style-type: none"> Carregue a bateria. Retire primeiro as baterias, depois use uma ferramenta de limpeza para limpar a neve ou gelo que esteja a obstruir a verruma. Volte a instalar as baterias e reinicie o soprador de neve. Retire as baterias sobreaquecidas do soprador de neve e espere até que as baterias arrefeçam até cerca de 67 °C. Volte a instalar as baterias e ligue o soprador de neve. (1) Prima o botão de segurança até que o indicador da energia pisque a verde. (2) Com o botão premido, puxe o interruptor de asa para cima para a pega principal. Contacte o centro de reparação da EGO para efetuar a reparação.
O motor funciona, mas a verruma não roda.	<ul style="list-style-type: none"> Correia gasta ou partida. 	<ul style="list-style-type: none"> Contacte o centro de reparação da EGO para efetuar a reparação.
Após a passagem, o soprador de neve deixa uma camada de neve no chão.	<ul style="list-style-type: none"> A barra raspadora está gasta. 	<ul style="list-style-type: none"> Substitua o raspador seguindo a secção “SUBSTITUIR A BARRA RASPADORA” neste manual.
O soprador de neve atira menos neve.	<ul style="list-style-type: none"> As pás de borracha estão gastas. A velocidade da verruma pode ser demasiado baixa. 	<ul style="list-style-type: none"> Substitua as pás de borracha seguindo a secção “SUBSTITUIR AS PÁS DE BORRACHA” neste manual. Aumentar a velocidade da verruma
A verruma não tem tração e requer um esforço extra para empurrar o soprador de neve para a frente.	<ul style="list-style-type: none"> As verrumas de borracha estão gastas. 	<ul style="list-style-type: none"> Substitua as verrumas de borracha seguindo a secção “SUBSTITUIR AS VERRUMAS DE BORRACHA” neste manual.



GARANTIA

POLÍTICA DE GARANTIA EGO

Visite o website egopowerplus.com para os termos e condições completos da política de garantia da EGO.

PT

LEGGERE TUTTE LE ISTRUZIONI!**LEGGERE IL MANUALE DI ISTRUZIONI.****SIMBOLI DI SICUREZZA****IT**

L'uso di apparecchi elettrici può causare il lancio di oggetti estranei verso l'operatore, con il rischio di lesioni gravi agli occhi. Durante l'uso dell'apparecchio, indossare sempre occhiali protettivi o occhiali di sicurezza con protezioni laterali e, se necessario, una maschera facciale. Si raccomanda di indossare una maschera di sicurezza con ampio campo visivo sopra gli occhiali o occhiali di sicurezza standard con protezioni laterali.



Avvertenza di sicurezza



Per ridurre il rischio di infortuni, l'utente deve leggere e comprendere tutte le istruzioni prima di usare questo prodotto.



Durante l'uso dell'apparecchio, indossare sempre occhiali protettivi o occhiali di sicurezza con protezioni laterali e una maschera facciale.



Non usare le mani per rimuovere le ostruzioni dallo scivolo di scarico.

**ATTENZIONE!** Non fissare la fonte luminosa.

Tenere mani e piedi a distanza.



Tenere mani e piedi a distanza dall'accessorio in rotazione.



Livello di potenza sonora garantito Emissione acustica ambientale ai sensi della direttiva dell'Unione europea



Gli apparecchi elettrici non devono essere smaltiti insieme ai rifiuti domestici. Portarli presso un centro di riciclaggio autorizzato.



Questo apparecchio è conforme alle direttive europee applicabili.



Corrente continua



Questo apparecchio è conforme alle direttive britanniche applicabili.

IPX4 Grado di protezione contro l'ingresso di acqua

V Volt

cm Centimetro

m Metro

kg Chilogrammo

SPECIFICHE TECNICHE

Tensione	56 V	
Larghezza di rimozione	520 mm	
Altezza di raccolta	330 mm	
Distanza di lancio	Fino a 14 m	
Dimensioni delle ruote	178 mm	
Temperatura di funzionamento raccomandata	Da - 20°C a 10°C	
Temperatura di conservazione	Da - 20°C a 70°C	
Peso (senza gruppo batteria)	27 kg	
Livello di potenza sonora misurato L_{WA}	96 dB(A) K=1,8 dB(A)	
Livello di pressione sonora a livello dell'orecchio dell'operatore L_{PA}	80 dB(A) K=4 dB(A)	
Livello di potenza sonora garantito L_{WA} (misurato conformemente a 2000/14/EC)	98 dB(A)	
Valore di emissione delle vibrazioni a_{h1} :	Impugnatura sinistra	1,3 m/s ² K=1,5 m/s ²
	Impugnatura destra	1,3 m/s ² K=1,5 m/s ²

- Il valore totale di emissione delle vibrazioni dichiarato è stato misurato con un metodo di valutazione standard e può essere utilizzato per confrontare l'apparecchio con altri prodotti analoghi.
- Il valore totale di emissione delle vibrazioni dichiarato può essere utilizzato anche per una valutazione preliminare dei livelli di esposizione.

NOTA: il valore di emissione delle vibrazioni durante l'uso effettivo dell'utensile elettrico può variare rispetto al valore totale dichiarato in base alla modalità di utilizzo dell'utensile. Per proteggersi, l'operatore deve indossare guanti e dispositivi di protezione per le orecchie in base alle condizioni di utilizzo effettive.

ACCESSORI RACCOMANDATI

⚠ AVVERTENZA! Le seguenti parti sono soggette a usura con un uso normale. Utilizzare esclusivamente parti di ricambio identiche a quelle elencate di seguito. L'uso di parti che non soddisfano le specifiche delle parti originali possono compromettere le prestazioni e la sicurezza della macchina.

NOME PARTE	NUMERO MODELLO
Gruppo pala in gomma/ coclea in gomma	ARP2120
Raschietto a barra	ASS2120

IT

DESCRIZIONE

DESCRIZIONE DELLO SGOMBRANEVE (Fig. A1 – A3)

1. Impugnatura principale
2. Interruttore a barra (interruttore di avvio)
3. Indicatore di stato
4. Impugnatura di sollevamento
5. Leva a rilascio rapido
6. Coperchio del vano batteria
7. Ruota (x2)
8. Copertura della cinghia di trasmissione
9. Gruppo coclea
10. Fanali LED
11. Deflettore dello scarico
12. Impugnatura del deflettore dello scarico
13. Leva di regolazione dello scarico
14. Chiave esagonale
15. Selettore della velocità della coclea
16. Interruttore dei fanali
17. Pulsante di sicurezza
18. Pulsante di rilascio della batteria
19. Manopola di bloccaggio
20. Dispositivo di bloccaggio
21. Meccanismo di espulsione
22. Contatti elettrici

CONTENUTO DELL'IMBALLAGGIO (FIG. A1)

ASSEMBLAGGIO

APERTURA DEI BINARI LATERALI

1. Lo sgombraneve è consegnato con i binari laterali in posizione ripiegata e bloccata (Fig. B1).
2. Aprire le leve a rilascio rapido su entrambi i lati e sollevare delicatamente i binari laterali finché non si bloccano (Fig. B2 e B3).

3. Chiudere le leve a rilascio rapido e serrare le manopole di bloccaggio (Fig. B4).

INSTALLAZIONE DELLO SCARICO

1. Con la chiave esagonale fornita, allentare e rimuovere i due gruppi bullone/rondella dalla base dello scarico (Fig. C1).

C1-1	Base dello scarico
------	--------------------

2. Allineare le scanalature sullo scarico con la fessura sulla base dello scarico, quindi spingere lo scarico finché non si blocca (Fig. C2).

C2-1	Scanalatura sullo scarico	C2-2	Fessura sulla base dello scarico
------	---------------------------	------	----------------------------------

3. Con la chiave esagonale fornita, bloccare lo scarico in posizione con i due gruppi bullone/rondella (Fig. C3).

UTILIZZO

INSTALLAZIONE/RIMOZIONE DEL GRUPPO BATTERIA

Usare esclusivamente i gruppi batteria e caricabatteria EGO elencati in Fig. A4.

Consultare il manuale dei gruppi batteria e del caricabatteria per le istruzioni dettagliate.

Ricaricare completamente la batteria prima del primo utilizzo.

1. Aprire il coperchio del vano batteria sollevando la parte anteriore del coperchio (Fig. D1).
2. **Installazione:** allineare i rilievi sul gruppo batteria con le scanalature di assemblaggio e premere il gruppo batteria fino a udire un "clic". Installare gli altri gruppi batteria (Fig. D2).
3. **Rimozione:** premere il pulsante di rilascio della batteria ed estrarre il gruppo batteria (Fig. D3).

D3-1	Pulsante di rilascio della batteria
------	-------------------------------------

4. Chiudere il coperchio del vano batteria.

AVVIO/ARRESTO DELLO SGOMBRANEVE

NOTA: non avviare e arrestare lo sgombraneve in rapida successione.

Avvio dello sgombraneve

1. Inserire i gruppi batteria nello sgombraneve e chiudere il coperchio del vano batteria.

2. Accendere lo sgombraneve premendo il pulsante di sicurezza.
3. Tenendo premuto il pulsante di sicurezza, tirare l'interruttore a barra verso l'impugnatura principale (Fig. E1).

E1-1	Pulsante di sicurezza	E1-2	Interruttore a barra
------	-----------------------	------	----------------------

4. Quando la coclea si avvia, rilasciare il pulsante di sicurezza; lo sgombraneve è pronto per l'uso (Fig. E2).
5. **Per avanzare,** sollevare l'impugnatura principale affinché il gruppo coclea entri a contatto con il terreno (Fig. E3). La trazione della coclea faciliterà l'avanzamento dello sgombraneve.

E3-1	Posizione operativa normale	E3-2	Posizione di avanzamento
E3-3	Coclea a contatto con il terreno		

NOTA: lo sgombraneve potrebbe non avviarsi correttamente se la temperatura della batteria è inferiore a -20°C. Se lo sgombraneve non si avvia, rimuovere la batteria e lasciare che si riscaldi in un ambiente chiuso per almeno 10 minuti. Reinscrivere la batteria e riprovare.

Arresto dello sgombraneve

1. Rilasciare completamente l'interruttore a barra (Fig. E4).

E4-1	Pulsante di sicurezza (rilasciato)	E4-2	Interruttore a barra (rilasciato)
------	------------------------------------	------	-----------------------------------

2. Il freno elettrico del meccanismo di frenatura automatica arresterà la rotazione della coclea al rilascio dell'interruttore a barra.

Regolazione della velocità della coclea (Fig. E5)

1. Per aumentare la velocità della coclea, ruotare il selettore della velocità in avanti.
2. Per diminuire la velocità della coclea, ruotare il selettore della velocità verso di sé.

Fanali LED (Fig. E6)

1. Per accendere i fanali, premere l'interruttore dei fanali. I fanali illumineranno l'area di fronte allo sgombraneve.
2. Per spegnere i fanali, premere nuovamente il pulsante dei fanali.

NOTA: per risparmiare energia, i fanali si spengono automaticamente dopo 5 minuti di inattività dello sgombraneve.

REGOLAZIONE DELLO SCARICO

La **direzione di lancio** della neve può essere regolata fino a 180° (Fig. E7).

E7-1	Leva di regolazione dello scarico	E7-2	Scarico
------	-----------------------------------	------	---------

1. Spingere la leva di regolazione dello scarico in avanti per ruotare lo scarico verso sinistra.
2. Tirare la leva di regolazione dello scarico all'indietro per ruotare lo scivolo verso destra.

La **distanza di lancio** della neve è determinata in parte dal grado di inclinazione del deflettore dello scarico (Fig. E8).

E8-1	Leva	E8-2	Deflettore dello scarico
------	------	------	--------------------------

1. Per aumentare la distanza di lancio della neve, premere la leva sull'impugnatura del deflettore dello scarico, quindi sollevare il deflettore. Rilasciare la leva sull'impugnatura del deflettore dello scarico per bloccare il deflettore in posizione.
2. Per diminuire la distanza di lancio della neve, abbassare il deflettore usando l'impugnatura del deflettore dello scarico.

OSTRUZIONE DELLO SCIVOLO DI SCARICO

1. Spegnerne il motore e arrestare la coclea.
2. Rimuovere i gruppi batteria dallo sgombraneve.
3. Attendere che la coclea si sia arrestata completamente.
4. Usare un utensile di pulizia come un'asta un legno o strumenti specifici disponibili in commercio; non usare le mani.

INDICATORE DI STATO SULLO SGOMBRANEVE

L'indicatore di stato si illumina esclusivamente all'avvio dello sgombraneve.

INDICATORE DI STATO	SIGNIFICATO	AZIONE
Verde lampeggiante	Il pulsante di sicurezza è premuto e lo sgombraneve è acceso e pronto per l'uso. Ciascun gruppo batteria inserito è carico per almeno il 15%.	n/a

Verde fisso	Lo sgombraneve funziona correttamente e ciascun gruppo batteria inserito è carico per almeno il 15%.	n/a
Rosso lampeggiante	I gruppi batteria sono quasi scarichi. La coclea non ruota, ma i fanali rimarranno accesi per un breve intervallo.	Arrestare lo sgombraneve e ricaricare i gruppi batteria.
Arancione fisso	Lo sgombraneve è surriscaldato.	Arrestare lo sgombraneve e attendere che si raffreddi.
Arancione lampeggiante	Lo sgombraneve è sovraccarico.	Rimuovere i gruppi batteria. Rimuovere eventuali accumuli di neve sotto lo sgombraneve o sulla coclea. Rallentare l'andatura o ridurre la larghezza del percorso di rimozione della neve.
Rosso e verde lampeggianti	Problema di comunicazione.	Contattare il centro di assistenza EGO per la riparazione.
Spento	Se l'indicatore luminoso sul gruppo batteria lampeggia di arancione o è acceso di rosso, il gruppo batteria è surriscaldato.	Arrestare lo sgombraneve e attendere che il gruppo batteria si raffreddi.
	Altri problemi: interruttore, fanali, ecc.	Contattare il centro di assistenza EGO per la riparazione.

IT

PROTEZIONE CONTRO IL SOVRACCARICO

Per evitare danni causati da condizioni di sovraccarico, non tentare di rimuovere troppa neve in una sola volta. Rallentare l'andatura o ridurre la larghezza del percorso di rimozione della neve.

Questo sgombraneve è dotato di elementi sensibili al sovraccarico. Quando lo sgombraneve è sovraccarico, il motore rallenterà automaticamente e farà meno rumore. In caso di sovraccarico, rallentare l'andatura o ridurre la larghezza del percorso di rimozione della neve; il motore ritornerà automaticamente alla velocità normale. Se questa operazione non risolve il problema, il sensore arresterà automaticamente il motore, e l'indicatore di stato lampeggerà di arancione. Rimuovere i gruppi batteria dallo sgombraneve. Rimuovere eventuali accumuli di neve o ghiaccio sotto lo sgombraneve o sulla coclea con un apposito utensile. Reinserire i gruppi batteria e riavviare lo sgombraneve.

PROTEZIONE CONTRO IL SURRISCALDAMENTO DELLA BATTERIA

Se la temperatura della batteria supera i 70°C durante l'uso, il circuito di protezione arresterà immediatamente lo sgombraneve per evitare che il gruppo batteria subisca danni. L'indicatore di stato sullo sgombraneve si spegnerà e l'indicatore sul gruppo batteria lampeggerà di arancione o si accenderà di rosso. Consultare la sezione "PROTEZIONE DELLA BATTERIA" del manuale di istruzioni della batteria per informazioni dettagliate sull'indicatore luminoso del gruppo batteria.

Rilasciare l'interruttore a barra e attendere che il gruppo batteria surriscaldato si raffreddi. Quando l'indicatore luminoso sul gruppo batteria diventa verde, riavviare lo sgombraneve.

Per evitare lo spegnimento causato dal sistema di protezione contro il surriscaldamento della batteria, non alimentare lo sgombraneve con un solo gruppo batteria quando lo spessore della neve accumulata supera i 76 mm o se la neve è molto bagnata o ghiacciata. Si raccomanda di usare due gruppi batteria simultaneamente. Ciò permette di ottenere le massime prestazioni dello sgombraneve.

A seguito dell'attivazione del sistema di protezione contro il surriscaldamento della batteria, rallentare l'andatura o ridurre la larghezza del percorso di rimozione della neve per ridurre il carico sulla batteria.

MANUTENZIONE

AVVERTENZA! Spegnerne il motore e rimuovere i gruppi batteria prima di effettuare qualsiasi operazione di manutenzione sullo sgombraneve.

MANUTENZIONE GENERALE

Evitare l'uso di solventi durante la pulizia delle parti in plastica. I solventi disponibili in commercio possono danneggiare la maggior parte dei componenti in plastica. Usare un panno pulito per rimuovere sporcizia, polvere, olio, grasso, ecc.

LUBRIFICAZIONE DELL'APPARECCHIO

Tutti i cuscinetti di questo prodotto sono lubrificati a vita, in condizioni d'uso normale. Non sono quindi necessarie ulteriori lubrificazioni.

SOSTITUZIONE DEL RASCHIETTO A BARRA

Utensili necessari (non inclusi):

- Chiave a forchetta da 8 mm
- Cacciavite Torx T20

1. Il raschietto a barra è situato sulla parte inferiore dello sgombraneve, sotto la coclea (Fig. F1).

F1-1	Raschietto a barra
------	--------------------

2. Posizionare lo sgombraneve su un lato (Fig. F2).
3. Indossare guanti. Rimuovere i 5 gruppi dado/rondella a molla/bullone dall'esterno e rimuovere le 2 viti Torx dall'interno. Rimuovere il raschietto a barra usurato (Fig. F2).

F2-1	Dado esterno (x5)	F2-2	Vite Torx (x2)
------	-------------------	------	----------------

4. Installare il nuovo raschietto a barra e inserire le 2 viti Torx (Fig. F3).

F3-1	Foro interno (x2)	F3-2	Raschietto a barra (lato lucido verso l'interno)
F3-3	Vite Torx (x2)		

5. Inserire i 5 bulloni e serrarli con le rondelle a molla e i dadi (Fig. F4 e F5).

F5-1	Dado	F5-2	Rondella a molla
F5-3	Apparecchio	F5-4	Raschietto a barra
F5-5	Bullone		

IT

SOSTITUZIONE DELLE PALE IN GOMMA E DELLE COCLEE IN GOMMA

Sostituzione delle pale in gomma (Fig. G1)

G1-1	Pale in gomma	G1-2	2 gruppi bullone/dado su ciascuna pala (4 gruppi in totale)
------	---------------	------	---

Utensili necessari (non inclusi):

- Cacciavite a testa piatta
 - Chiave a forchetta da 10 mm
1. Indossare guanti. Ruotare manualmente la coclea in acciaio affinché le pale in gomma possano essere rimosse facilmente.
 2. Rimuovere tutti i bulloni e i dadi di fissaggio per estrarre le pale in gomma.
 3. Installare le nuove pale in gomma e fissarle saldamente.

Sostituzione delle coclee in gomma (Fig. G2)

G2-1	Coclea in gomma (x4)	G2-2	1 gruppo bullone/rondella/dado su ciascuna coclea (4 gruppi in totale)
G2-3	2 gruppi bullone/dado su ciascuna coclea (8 gruppi in totale)		

Utensili necessari:

- Chiave a forchetta da 13 mm (non inclusa)
 - Chiave esagonale da 5 mm (fornita)
1. Indossare guanti. Ruotare manualmente la coclea in acciaio affinché le coclee in gomma possano essere rimosse facilmente.
 2. Rimuovere tutti i bulloni e i dadi di fissaggio per estrarre le coclee in gomma.
 3. Installare le nuove coclee in gomma e fissarle saldamente.

CONSERVAZIONE DELLO SGOMBRANEVE

- Rimuovere i gruppi batteria e riporli in un luogo sicuro fuori dalla portata dei bambini.

Prima di riporre lo sgombraneve, rimuovere umidità, sporcizia e detriti dal vano batteria e dall'area circostante

- Pulire lo sgombraneve con un panno asciutto.
- Controllare che tutte le viti, i bulloni, i dadi, le manopole, ecc. siano serrati correttamente.

- Controllare che le parti mobili non siano danneggiate o usurate. Fare riparare le eventuali parti danneggiati o mancanti.
- Chiudere i binari laterali.
- Riporre lo sgombraneve in un luogo asciutto, pulito, al chiuso e fuori dalla portata dei bambini.
- Non conservarlo in prossimità di sostanze corrosive, ad esempio fertilizzante o sale.

CHIUSURA DEI BINARI LATERALI

1. Spingere la leva di regolazione dello scarico completamente in avanti affinché lo scarico sia rivolto verso sinistra; ciò evita che interferisca durante la chiusura. Premere la leva sull'impugnatura del deflettore dello scarico e abbassarlo completamente (Fig. H1).
2. Aprire le leve a rilascio rapido su entrambi i lati per chiudere i binari laterali (Fig. H2).

SOLLEVAMENTO E TRASPORTO DELLO SGOMBRANEVE

1. Rimuovere i gruppi batteria.
2. Chiudere i binari laterali come descritto nella sezione precedente.
3. Sollevare e trasportare lo sgombraneve con una mano sull'impugnatura di sollevamento e l'altra sull'area di sollevamento sopra l'apertura ingresso della neve (appena sotto il logo EGO) (Fig. I).

I-1	Area di sollevamento	I-2	Impugnatura di sollevamento
-----	----------------------	-----	-----------------------------

PROTEZIONE DELL'AMBIENTE



Direttiva RAEE (Rifiuti di apparecchi elettrici ed elettronici) Non smaltire apparecchi elettrici, caricabatteria e batterie insieme ai rifiuti domestici. Portare il prodotto presso un centro di riciclaggio autorizzato affinché venga raccolto separatamente. Gli apparecchi elettrici devono essere portati presso un centro di riciclaggio ecocompatibile.

RISOLUZIONE DEI PROBLEMI

IT

PROBLEMA	CAUSA	SOLUZIONE
I binari laterali non rimangono in posizione.	<ul style="list-style-type: none"> Le manopole di bloccaggio sui binari laterali non sono serrate e/o le leve a rilascio rapido non sono chiuse. 	<ul style="list-style-type: none"> Assicurarsi che le manopole di bloccaggio sui binari laterali siano serrate e che le leve a rilascio rapido siano completamente chiuse.
Lo sgombraneve non si avvia.	<ul style="list-style-type: none"> La batteria è quasi scarica. La coclea è ostruita da ghiaccio o neve. Il gruppo batteria si è surriscaldato. L'indicatore luminoso sul gruppo batteria lampeggia di arancione o è acceso di rosso (consultare la sezione "PROTEZIONE CONTRO IL SURRISCALDAMENTO DELLA BATTERIA" in questo manuale). La procedura di avvio non è stata effettuata correttamente. Guasto non identificato. 	<ul style="list-style-type: none"> Ricaricare la batteria. Rimuovere i gruppi batteria e usare un utensile di pulizia per rimuovere la neve o il ghiaccio dalla coclea. Reinserrire i gruppi batteria e riavviare lo sgombraneve. Rimuovere i gruppi batteria surriscaldati dallo sgombraneve e attendere che si raffreddino fino a raggiungere i 67°C. Reinserrire i gruppi batteria e riavviare lo sgombraneve. (1) Premere il pulsante di sicurezza finché l'indicatore di stato non lampeggia di verde. (2) Tenendo premuto il pulsante di sicurezza, tirare l'interruttore a barra verso il manubrio e rilasciare il pulsante di sicurezza. Contattare il centro di assistenza EGO per la riparazione.
Il motore è acceso, ma la coclea non ruota.	<ul style="list-style-type: none"> La cinghia di trasmissione è usurata o danneggiata. 	<ul style="list-style-type: none"> Contattare il centro di assistenza EGO per la riparazione.
Lo sgombraneve lascia uno strato di neve sul terreno dietro di sé.	<ul style="list-style-type: none"> Il raschietto a barra è usurato. 	<ul style="list-style-type: none"> Sostituire il raschietto come indicato alla sezione "SOSTITUZIONE DEL RASCHIETTO A BARRA" in questo manuale.
Lo sgombraneve lancia poca neve.	<ul style="list-style-type: none"> Le pale in gomma sono usurate. La velocità della coclea è troppo bassa. 	<ul style="list-style-type: none"> Sostituire le pale in gomma come indicato alla sezione "SOSTITUZIONE DELLE PALE IN GOMMA" in questo manuale. Aumentare la velocità della coclea.

PROBLEMA	CAUSA	SOLUZIONE
La coclea non ha trazione ed è necessario spingere lo sgombraneve con forza per farlo avanzare.	<ul style="list-style-type: none">Le coclee in gomma sono usurate.	<ul style="list-style-type: none">Sostituire le coclee in gomma come indicato alla sezione "SOSTITUZIONE DELLE COCLEE IN GOMMA" in questo manuale.

GARANZIA

CONDIZIONI DELLA GARANZIA EGO

Visitare il sito web egopowerplus.com per consultare le condizioni complete della garanzia EGO.

LEES ALLE INSTRUCTIES!**LEES DE GEBRUIKSAANWIJZING****VEILIGHEIDSSYMBOOL**

Het gebruik van elektrische gereedschappen kan leiden tot het rondslingeren van (vreemde) objecten die in uw ogen kunnen terechtkomen. Dit kan leiden tot ernstig oogletsel. Wanneer u elektrische apparaten gebruikt, zorg er dan voor dat u altijd een veiligheidsbril (met zijschermen) of een gelaatsscherm draagt. We bevelen aan om een gelaatsscherm over uw bril of standaard veiligheidsbril met zijschermen te gebruiken.

NL

Veiligheidswaarschuwing



De gebruiker dient de gebruiksaanwijzing voor het gebruik van dit product te lezen en te begrijpen om risico op letsel te beperken.



Draag altijd een veiligheidsbril (met zijschermen) en een gelaatsscherm als u dit product gebruikt.



Gebruik niet uw handen om de koker te ontstoppen.



OPGELET: Kijk niet in de lamp.



Houd uw voeten en handen uit de buurt



Houd uw voeten uit de buurt van de draaiende waaier



Gewaarborgd geluidsvermogensniveau. Geluidsemisatie voor de omgeving in overeenstemming met de richtlijnen van de Europese Unie.



Gooi elektrisch afval niet via het huishoudelijk afval weg. Breng het naar een geautoriseerd recyclingbedrijf.



Dit product is in overeenstemming met de EG-richtlijnen.



Gelijkstroom



Dit product is in overeenstemming met de toepasselijke richtlijnen van het VK.

IPX4

Beschermingsgraad tegen het binnendringen van water

V

Volt

cm

Centimeter

m

Meter

kg

Kilogram

SPECIFICATIES

Spanning	56 V	
Reinigingsbreedte	520 mm	
Opnamehoogte	330 mm	
Worpfstand	Tot 14 meter	
Wielmaat	178 mm	
Aanbevolen bedrijfstemperatuur	-20°C - 10°C	
Opslagtemperatuur	-20°C - 70°C	
Gewicht (zonder accupack)	27 kg	
Gemeten geluidsvermogensniveau L_{WA}	96 dB(A) K=1,8 dB(A)	
Geluidsdruk niveau bij het oor van de gebruiker L_{PA}	80 dB(A) K=4 dB(A)	
Gegarandeerd geluidsvermogensniveau L_{WA} (gemeten volgens 2000/14/EG)	98 dB(A)	
Inschatting van de vibratie a_h :	Linker handvat	1,3 m/s ² K=1,5 m/s ²
	Rechter handvat	1,3 m/s ² K=1,5 m/s ²

- De opgegeven totale vibratiewaarde is gemeten volgens de standaard testmethode en kan worden gebruikt om het apparaat met een ander apparaat te vergelijken;
- De opgegeven totale vibratiewaarde kan tevens worden gebruikt in een voorafgaande beoordeling op blootstelling.

OPMERKING: De trillingsemisatie tijdens het werkelijk gebruik van het elektrisch gereedschap kan verschillen van de opgegeven totale waarde; Om de gebruiker te beschermen dient de gebruiker tijdens het gebruik handschoenen en gehoorbescherming te dragen.

AANBEVOLEN ACCESSOIRES

⚠ WAARSCHUWING: De volgende onderdelen zijn onderhevig aan slijtage door normaal gebruik. Gebruik uitsluitend identieke reserve-onderdelen die beneden worden vermeld. Het gebruik van onderdelen die niet aan de specificaties van de originele uitrusting voldoen kunnen verkeerde prestaties leveren en de veiligheid in gevaar brengen.

NAAM VAN HET ONDERDEEL	MODELNUMMER
Rubberen schoep en rubberen vijzelset	ARP2120
Schraapbalk	ASS2120

BESCHRIJVING

KEN UW SNEEUWBLAZER (afb. A1 - A3)

1. Primaire handgreep
2. Veiligheidsschakelaar (schakelhendel)
3. Stroomindicator
4. Til handvat
5. Snelspanhendel
6. Accuvak afdekking
7. Wiel (x2)
8. Afdekking van de aandrijfriem
9. Vijzelmontage
10. Led-koplampen
11. Koker deflector
12. Koker deflector handgreep
13. Rotatiehandgreep voor de koker
14. Binnenzeskantsleutel
15. Vijzel-snelheidsknop
16. Schakelaar voor de led-koplampen
17. Veiligheidsknop
18. Accuvrijgaveknop
19. Vergrendelingsknop
20. Vergrendeling
21. Uitwerpmechanisme
22. Elektrisch contact

PAKLIJST (AFB. A1)

MONTAGE

HET UITKLAPPEN VAN DE ZIJGELEIDERS

1. Uw sneeuwblazer wordt verzonden met de zijgeleiders in de ingeklapte, vergrendelde stand (afb. B1).
2. Open de snelspanhendels aan beide zijden en draai de zijgeleiders voorzichtig omhoog tot ze niet verder kunnen (afb. B2 & B3).
3. Sluit de snelspanhendels en draai vervolgens de vergrendelingsknop vast (afb. B4).

INSTALLATIE VAN DE KOKER

1. Gebruik de meegeleverde binnenzeskantsleutel om de twee sets bouten en sluitringen in de kokerbasis los te draaien en te verwijderen (afb. C1).

C1-1	Kokerbasis
------	------------

- Lijn de groeven van de koker uit met de groef op de kokerbasis en duw de koker op zijn plaats (afb. C2).

C2-1	Groef van de koker	C2-2	Groef op de kokerbasis
------	--------------------	------	------------------------

- Gebruik de meegeleverde binnenzeskantsleutel om de koker op zijn plaats te vergrendelen met de twee sets bouten en sluitringen (afb. C3).

NL GEBRUIK

HET ACCUPACK INSTALLEREN/VERWIJDEREN

Gebruik alleen met de in afb. A4 vermelde accupacks en opladers van EGO.

Raadpleeg de handleidingen van de bijbehorende accupacks en opladers voor meer informatie.

Voor de eerste ingebruikname volledig opladen.

- Til de afdekking van het batterijvak op door de voorkant van de afdekking op te tillen (afb. D1).
- Breng voor de bevestiging** de ribbels van de accu in een lijn met de montagesleuven en druk het accupack naar beneden totdat u "klik" hoort. Plaats de andere accu. (Afb. D2)
- Druk voor het verwijderen** de accu-ontgrendelingsknop naar beneden en trek het accupack eruit (afb. D3).

D3-1	Accuvrijgaveknop
------	------------------

- Sluit het deksel van het batterijvak.

DE SNEEUWBLAZER STARTEN/STOPPEN

OPMERKING: Start en stop de sneeuwblazer niet te vaak snel achter elkaar.

De sneeuwblazer starten

- Bevestig het accupack (de accupacks) op de sneeuwblazer en sluit het batterijdeksel.
- Zet de sneeuwblazer AAN door de veiligheidsknop in te drukken.
- Terwijl de veiligheidsknop ingedrukt is, trekt u de veiligheidsschakelaar omhoog tegen de primaire handgreep (afb. E1).

E1-1	Veiligheidsknop	E1-2	Veiligheidsschakelaar
------	-----------------	------	-----------------------

- Zodra de vijzel start, laat u de veiligheidsknop los en begint u te werken (afb. E2).

- Om vooruit te gaan**, tilt u de primaire handgreep op zodat de vijzel contact maakt met de grond (afb. E3). De tractie van de vijzel helpt de sneeuwblazer naar voren te bewegen.

E3-1	Normale bedieningspositie	E3-2	Vijzel aangedreven positie
E3-3	Vijzel raakt de grond		

OPMERKING: De sneeuwblazer start eventueel niet naar behoren als de temperatuur van de accu lager is dan -20°C. Als het apparaat niet start, verwijdert u de accu van de sneeuwblazer en laat u deze binnenshuis gedurende 10 minuten of langer opwarmen. Plaats de accu weer en probeer het opnieuw.

De sneeuwblazer stoppen

- Laat de veiligheidsschakelaar helemaal los (afb. E4).

E4-1	Veiligheidsknop (volledig vrijgegeven)	E4-2	Veiligheidsschakelaar (volledig losgelaten)
------	--	------	---

- De elektrische rem in het automatische remmechanisme stopt de rotatie van de vijzel nadat de veiligheidsschakelaar is losgelaten.

Variabel vijzel-snelheidssysteem (afb. E5)

- Om de snelheid van de vijzel te verhogen, beweegt u de snelheidsknop van de vijzel weg van de bediener.
- Om de snelheid te verlagen, beweegt u de snelheidsknop van de vijzel naar de bediener toe.

Led-koplampen (afb. E6)

- Om de koplampen in te schakelen, drukt u op de schakelaar voor de led-koplampen. De koplampen zorgen voor helder licht aan de voorzijde van de sneeuwblazer.
- Om de koplampen uit te schakelen, drukt u nogmaals op de schakelaar voor de led-koplampen.

OPMERKING: De led-koplampen worden automatisch uitgeschakeld wanneer de sneeuwblazer 5 minuten niet actief is om de accu te sparen.

DE KOKER AANPASSEN

De **richting** van het sneeuwruimen kan tot 180° worden aangepast (afb. E7).

E7-1	Rotatiehandgreep voor de koker	E7-2	Koker
------	--------------------------------	------	-------

1. Duw de rotatiehandgreep voor de koker naar voren om de trechter naar links te draaien.
2. Trek de rotatiehandgreep voor de koker naar achteren om de trechter naar rechts te draaien.

De **werpafstand** van de sneeuwblazer wordt mede bepaald door de hellingshoek van de koker deflector (afb. E8).

E8-1	Schakelaar	E8-2	Koker deflector
------	------------	------	-----------------

1. Om de afstand van de weggeworpen sneeuw te vergroten, drukt u de schakelaar op de greep van de koker deflector, en til de koker deflector vervolgens omhoog. Laat de schakelaar op de greep van de koker deflector los om de koker deflector op deze plek te vergrendelen.
2. Om de afstand van de weggeworpen sneeuw te verkleinen, laat u de deflector gewoon zakken met behulp van de greep voor de koker deflector.

VERHELPEN VAN EEN VERSTOPTE KOKER

1. Schakel de motor en vijzel uit!
2. Verwijder het accupack (de accupacks) uit de sneeuwblazer.
3. Wacht tot de vijzel tot stilstand is gekomen.
4. Gebruik altijd een schoonmaakgereedschap, zoals een houten stok of ander in de handel verkrijgbaar ruimgereedschap; gebruik niet uw hand.

STROOMINDICATOR OP DE SNEEUWBLAZER

De stroomindicator gaat alleen branden wanneer de sneeuwblazer is gestart.

STROOM-INDICATOR	BETEKENIS	ACTIE
Groen knipperend	De veiligheidsknop is ingedrukt en de sneeuwblazer is ingeschakeld en gereed voor gebruik. Elk geplaatst accupack heeft tenminste nog 15% van zijn lading.	n.v.t.
Groen brandend	De sneeuwblazer werkt correct en elke accu heeft tenminste nog 15% van zijn lading.	n.v.t.

Rood knipperend	Laadniveau van het/de accupack/s is laag. De vijzel draait niet, maar de led-koplampen kunnen even branden.	Stop de sneeuwblazer en laad het accupack (de accupacks) op.
Oranje brandend	De sneeuwblazer is oververhit.	Stop de sneeuwblazer en wacht enige tijd om de machine af te koelen.
Oranje knipperend	De sneeuwblazer is overbelast.	Verwijder het/de accupack/s. Controleer en verwijder eventuele sneeuw die zich onder of in de vijzel heeft opgehoopt. Vertraag uw tempo of verminder de breedte van de sneeuwruim baan tijdens het werk.
Afwisselend rood en groen knipperend	Communicatiestoring.	Neem contact op met het servicecentrum van EGO voor reparatie.
Geen aanwijzing	Als de led-indicator op een of beide accupacks oranje knippert of rood brandt, is/zijn de accupack/s oververhit. Andere storingen: schakelaar, licht, etc.	Stop de sneeuwblazer en laat het accupack afkoelen. Neem contact op met het servicecentrum van EGO voor reparatie.

OVERBELASTINGSBEVEILIGING VAN DE SNEEUWMAA-IER

Om overbelasting te voorkomen, dient u niet te veel sneeuw in één keer te verwijderen. Vertraag uw tempo of verminder de breedte van de sneeuwruim baan.

Uw sneeuwblazer heeft ingebouwde overbelastingssensoren. Als de sneeuwblazer is overbelast, zal de motor de snelheid automatisch verlagen en hoort u dat het geluidsniveau van de motor afneemt. Bij overbelasting verlaagt u uw tempo of verkleint u de ruimbreedte, waarna het motortoerental automatisch terugkeert naar de normale instelling. Als deze methode de overbelasting niet oplost, zal de sensor de motor automatisch uitschakelen en de stroomindicator zal oranje knipperen. Verwijder het accupack (de accupacks) uit de sneeuwblazer. Controleer of er sneeuw of ijs vastzit in de vizel en het dek en gebruik een reinigingsgereedschap om deze indien nodig te verwijderen. Plaats het/de accupack/s terug en start de sneeuwblazer opnieuw.

ACCUBEVEILIGING TEGEN HOGE TEMPERATUREN

Als de accutemperatuur tijdens het gebruik de 70°C overschrijdt, schakelt het temperatuurbeveiligingscircuit de sneeuwblazer onmiddellijk uit om de accupacks te beschermen tegen schade door oververhitting. De stroomindicator op de sneeuwblazer is uit en de led-indicator op het accupack knippert oranje of brandt rood. Raadpleeg het hoofdstuk "ACCUBESCHERMING" in de gebruiksaanwijzing van de accu voor meer informatie over de led-indicator op het accupack.

Laat de veiligheidsschakelaar los en wacht tot het/de oververhitte accupack/s zijn afgekoeld en het lampje op de led-indicator van de accu groen wordt, en start de sneeuwblazer dan opnieuw op.

Om te voorkomen dat de sneeuwblazer wordt uitgeschakeld vanwege de accubeveiliging tegen hoge temperaturen, mag u niet proberen een enkele accu te gebruiken voor de sneeuwblazer wanneer de sneeuwhoogte groter is dan 76 mm of wanneer de sneeuw erg nat of ijzig is. We raden het gebruik van twee gelijktijdig werkende accu's aan. Dit is nuttig bij het bereiken van het piekvermogen van de sneeuwblazer.

Nadat de bescherming tegen hoge temperaturen is geactiveerd, verlaagt u uw tempo en verkleint u de breedte van de sneeuwruim baan om de belasting van de accu te verminderen.

ONDERHOUD

⚠ WAARSCHUWING: Zorg ervoor dat u het apparaat uitschakelt en het/de accupack/s verwijdert voordat u onderhoudswerkzaamheden aan uw sneeuwblazer uitvoert.

ALGEMEEN ONDERHOUD

Maak de kunststof onderdelen niet schoon met oplosmiddelen. De meeste kunststoffen kunnen worden beschadigd wanneer ze in contact komen met commerciële oplosmiddelen. Gebruik een schone doek voor het verwijderen van vuil, stof, olie, smeer, etc.

HET GEREEDSCHAP SMEREN

Alle pakkingen in het product zijn gesmeerd met een hoeveelheid hoogwaardig smeermiddel, voldoende voor de hele levensduur onder normale gebruiksomstandigheden. Daarom hoeft u de pakkingen niet meer te smeren.

DE SCHRAAPBALK VERVANGEN

Benodigd gereedschap (niet inbegrepen):

- 8 mm steeksleutel
 - T20 Torx-schroevendraaier
1. De schraapbalk bevindt zich aan de onderkant van het sneeuwblazerdek, onder de vizel (afb. F1).

F1-1	Schraapbalk
------	-------------

2. Draai de sneeuwblazer op zijn kant (afb. F2).
3. Draag handschoenen. Verwijder de 5 sets moeren, veerringen en bouten van buitenaf en verwijder de 2 Torx-schroeven van binnenuit. Maak de versleten schraapbalk los (afb. F2).

F2-1	Buitenmoer (x5)	F2-2	Torx-schroef (x2)
------	-----------------	------	-------------------

4. Bevestig de nieuwe schraapbalk en plaats de 2 Torx-schroeven (afb. F3).

F3-1	Binnengat (x2)	F3-2	Schraapbalk (glanzend oppervlak naar binnen gericht)
F3-3	Torx-schroef (x2)		

5. Plaats de 5 bouten en draai ze vast met veerringen en moeren (afb. F4 & F5).

F5-1	Moer	F5-2	Veerring
F5-3	Dek	F5-4	Schraapbalk
F5-5	Bout		

VERVANGEN VAN DE RUBBEREN SCHOEPEN EN RUBBEREN VIJZELS

Om de rubberen schoepen te vervangen: (Afb. G1)

G1-1	Rubberen schoepen	G1-2	2 sets bouten en moeren op elke schoep (totaal 4 sets)
------	-------------------	------	--

Benodigd gereedschap (niet inbegrepen):

- Platte schroevendraaier
 - 10 mm steeksleutel
1. Draag handschoenen. Draai de stalen vijzel handmatig naar de juiste positie voor eenvoudige demontage van de rubberen schoepen.
 2. Verwijder alle vastzetbouten en -moeren om de rubberen schoepen eruit te halen.
 3. Vervang ze door de nieuwe rubberen schoepen en draai ze stevig vast.

Vervangen van de rubberen vijzels (afb. G2)

G2-1	Rubberen vijzel (x4)	G2-2	1 set bout, sluitring en moer op elke vijzel (in totaal 4 sets)
G2-3	2 sets bouten en moeren op elke vijzel (totaal 8 sets)		

Vereist gereedschap:

- 13 mm steeksleutel (niet inbegrepen)
 - 5 mm binnenzeskantsleutel (meegeleverd)
1. Draag handschoenen. Draai de stalen vijzel handmatig naar de juiste positie voor eenvoudige demontage van de rubberen vijzel.
 2. Verwijder alle vastzetbouten en -moeren om de rubberen vijzels eruit te halen.
 3. Vervang ze door de nieuwe rubberen vijzels en draai ze stevig vast.

DE SNEEUWBLAZER OPBERGEN

- Verwijder het accupack (de accupacks) en bewaar deze op een veilige plek buiten het bereik van kinderen.

Veeg vóór opslag vocht, vuil of puin van en rond het batterijcompartiment.

- Veeg de sneeuwblazer droog met een droge doek.
- Controleer alle moeren, bouten, schroeven etc. op een juiste bevestiging.

- Controleer de bewegende onderdelen op beschadigingen, gebroken onderdelen en slijtage. Laat reparaties uitvoeren aan beschadigde of ontbrekende onderdelen.
- Klap de zijgeleiders in de opbergstand.
- Bewaar de sneeuwblazer op een schone, droge en gesloten plek buiten het bereik van kinderen.
- Niet in de buurt van corrosieve stoffen zoals kunstmest of zout opbergen.

DE ZIJGELEIDERS INKLAPPEN

1. Duw de rotatiehandgreep voor de koker helemaal naar voren zodat de koker naar links wijst, waardoor er geen hinder ontstaat bij het vouwen. Druk de schakelaar van de greep van de koker deflector om deze helemaal naar beneden te kantelen (afb. H1).
2. Open de snelspanhendels aan beide zijden om de zijgeleiders in de opbergstand te klappen (afb. H2).

DE SNEEUWBLAZER TILLEN EN DRAGEN

1. Verwijder het/de accupack/s.
2. Klap de zijgeleiders in zoals beschreven in het vorige hoofdstuk.
3. Til en draag het apparaat door met één hand het til handvat vast te pakken en met de andere hand de bovenkant van de sneeuwwingang (rechts onder het EGO logo) (afb. I).

I-1	Tilgebied	I-2	Til handvat
-----	-----------	-----	-------------

HET MILIEU BESCHERMEN



WEEE (afgedankte elektrische en elektronische apparatuur) Gooi geen elektrische apparatuur, gebruikte accu's en laders weg via het huishoudelijk afval! Geef dit product af bij een geautoriseerd recyclingbedrijf en zorg dat het apart kan worden ingezameld. Elektrisch gereedschap moet worden afgegeven voor een milieuvriendelijke recycling.

NL

PROBLEEMOPLOSSING

NL

PROBLEEM	OORZAAK	OPLOSSING
Zijgeleiders blijven niet op hun plaats.	<ul style="list-style-type: none"> ■ Vergrendelingsknoppen van de zijgeleiders en/of snelspanhendels zijn niet vastgezet. 	<ul style="list-style-type: none"> ■ Zorg ervoor dat de vergrendelingsknoppen van de zijgeleiders volledig zijn vastgedraaid en dat de snelspanhendels volledig zijn gesloten.
De sneeuwblazer start niet.	<ul style="list-style-type: none"> ■ De accu is bijna leeg. ■ De vijzel is bevroren door sneeuw of ijs. ■ Het accupack is oververhit. De led-indicator op het/de accupack/s knippert oranje of brandt rood (zie alinea "ACCUBEVEILIGING TEGEN HOGE TEMPERATUREN" in deze gebruiksaanwijzing). ■ Onjuiste stappen gemaakt om de sneeuwblazer aan te zetten. ■ Onbekende fout 	<ul style="list-style-type: none"> ■ Laad de accu op. ■ Verwijder eerst het/de accupack/s en gebruik vervolgens een reinigingsgereedschap om de sneeuw of het ijs te verwijderen die de vijzel blokkeren. Plaats de accupacks terug en start de sneeuwblazer opnieuw. ■ Verwijder het/de oververhitte accupack/s uit de sneeuwblazer en wacht tot het/de accupack/s zijn afgekoeld tot ongeveer 67°C. Plaats het/de accupack/s terug en start de sneeuwblazer opnieuw. ■ (1) Druk op de veiligheidsknop totdat de stroomindicator groen knippert. (2) Terwijl de knop is ingedrukt, trekt u de beugelschakelaar omhoog tegen de primaire handgreep. ■ Neem contact op met het servicecentrum van EGO voor reparatie.
De motor is ingeschakeld maar de vijzel draait niet.	<ul style="list-style-type: none"> ■ De aandrijfriem is versleten of stuk. 	<ul style="list-style-type: none"> ■ Neem contact op met het servicecentrum van EGO voor reparatie.
Na het passeren laat de sneeuwblazer een laagje sneeuw achter op de grond.	<ul style="list-style-type: none"> ■ De schraapbalk is versleten. 	<ul style="list-style-type: none"> ■ Vervang de schrapper volgens het hoofdstuk "DE SCHRAAPBALK VERVANGEN" in deze gebruiksaanwijzing.
De sneeuwblazer werpt minder sneeuw uit.	<ul style="list-style-type: none"> ■ De rubberen peddels zijn versleten. ■ De snelheid van de vijzel is mogelijk te laag. 	<ul style="list-style-type: none"> ■ Vervang de rubberen schoepen volgens het hoofdstuk "DE RUBBEREN SCHOEPEN VERVANGEN" in deze gebruiksaanwijzing. ■ Verhoog de snelheid van de vijzel



PROBLEEM	OORZAAK	OPLOSSING
De vijzel krijgt geen grip en het kost extra moeite om de sneeuwblazer naar voren te duwen.	<ul style="list-style-type: none">De rubberen vijzels zijn versleten.	<ul style="list-style-type: none">Vervang de rubberen vijzels volgens de alinea "DE RUBBEREN VIJZELS VERVANGEN" in deze handleiding.

GARANTIE

EGO-GARANTIEBELEID

Bezoek alstublieft de website egopowerplus.com voor de volledige voorwaarden van het EGO-garantiebeleid.

NL

LÆS ALLE VEJLEDNINGERNE!**LÆS BRUGERVEJLEDNINGEN****SIKKERHEDSSYMBOL**

Når elværktøjer bruges, er der altid en risiko for at genstande slynges ind i øjnene, som kan føre til alvorlige øjenskader. Inden du begynder elværktøj drift, altid bære beskyttelsesbriller eller sikkerhedsbriller med side skjolde og en fuld ansigtsmaske når det er nødvendigt. Vi anbefaler en Wide Vision Safety Maske til brug over briller eller standard sikkerhedsbriller med sideskærme.

DK

Sikkerhedsadvarsel



For at reducere risikoen for skader, skal brugeren læse og forstå brugsanvisningen, før dette produkt tages i brug.



Bær altid beskyttelsesbriller eller sikkerhedsbriller med side skjolde og en fuld ansigtsskærm, når du betjener dette produkt.



Brug ikke hænder til, at rengøre udstødningen.



FORSIGTIG: Undgå, at kikke ind i betjeningsslampen.



Hold fødder og hænder væk



Hold fødderne væk fra de drejende skovlhjul.



Garanteret lydniveau. Støjemission til miljøet opfylder EF-direktivet.



Elektriske affaldsprodukter må ikke bortskaffes sammen med husholdningsaffald. Tag det til en godkendt genbrugsplads.



Dette produkt er i overensstemmelse med gældende EU-direktiver.



Jævnstrøm (DC)



Dette produkt er i overensstemmelse med lovgivningen i Storbritannien.

IPX4

Beskyttelsesgrad mod indtrængen af vand grad

V

Volt

cm

Centimeter

m

Måler

kg

Kg

SPECIFIKATIONER

Spænding	56 V	
Rydningbredde	520 mm	
Højde på indtag	330 mm	
Kasteafstand	Op til 14 m	
Hjulstørrelse	178 mm	
Anbefalet driftstemperatur	-20°C - 10°C	
Opbevaringstemperatur	-20°C - 70°C	
Vægt (uden batteri)	27 kg	
Målt lydeffektniveau L_{WA}	96 dB(A) K=1,8 dB(A)	
Lydtryk ved brugerens øre L_{PA}	80 dB(A) K=4 dB(A)	
Garanteret lydeffektniveau L_{WA} (målt i henhold til 2000/14 / EF)	98 dB(A)	
Vibrationsværdi a_v :	Bø-jle-håndtag	1,3 m/s ² K=1,5 m/s ²
	Baghåndtag	1,3 m/s ² K=1,5 m/s ²

- Den samlede erklærede vibrationsværdi er målt i overensstemmelse med en standard testmetode, og den kan bruges til at sammenligne et værktøj med et andet;
- Den samlede angivne vibrationsværdi kan også bruges ved en foreløbig vurdering af eksponeringen.

BEMÆRK: Vibrationsemissionen ved faktisk brug af elværktøjet kan afvige fra den angivne værdi, hvor værktøjet bruges. For at beskytte brugeren, skal brugeren bruge handsker og høreværn i de faktiske brugsforhold.

ANBEFALET TILBEHØR

⚠ ADVARSEL: Følgende dele kan blive slidt ved normal brug. Brug kun originale reservedele på listen nedenfor. Hvis der bruges dele, der ikke opfylder de oprindelige deles specifikationer, kan det påvirke apparatets ydeevne og sikkerheden.

NAVN PÅ DELEN	MODELNUMMER
Sæt med gummiskovl og gummisnegl	ARP2120
Skraber-stang	ASS2120

BESKRIVELSE

KEND DIN SNEBLÆSER (fig. A1 - A3)

- Hovedhåndtag
- Koblingsbøjle (kontakt)
- Strømindikator
- Løft håndtag
- Låsehåndtag
- Dæksel til batterirummet
- Hjul (x2)
- Drivremsdæksel
- Sneglesamling
- Forlygter
- Udstødningsskærm
- Håndtag til udstødningsskærm
- Drejehåndtag til udstødning
- Unbrakonøgle
- Hastighedsknop til sneglen
- Kontakt til forlygterne
- Sikkerhedsknap
- Knap til frigørelse af batteri
- Låseknap
- Lås
- Udløsermekanisme
- Elektrisk kontakt

DK

LISTE OVER DELE I PAKKEN (FIG. A1)

SAMLING

SÅDAN FOLDES SIDESKINNERNE UD

- Sideskinnerne på sneslyngen er foldet sammen i låst position (fig. B1).
- Åbn låsehåndtagene på begge sider, og drej forsigtigt sideskinnerne opad, indtil de stopper (fig. B2 & B3).
- Luk låsehåndtagene, og spænd derefter låseknopperne (fig. B4).

MONTERING AF UDSTØDNINGEN

- Brug den medfølgende unbrakonøgle til at løsne og fjerne de to sæt af bolte og spændeskiver i udstødningsbeslaget (fig. C1).

C1-1	Udstødningsbeslag
------	-------------------

- Hold rillerne på udstødningen mod rillen på udstødningsbeslaget, og tryk derefter udstødningen på plads (fig. C2).

C2-1	Rille på udstødningen	C2-2	Riller på udstødningsbeslaget
------	-----------------------	------	-------------------------------

- Brug den medfølgende unbrakonøgle til, at spænde udstødningen på plads med de to sæt af bolte og spændeskiver (fig. C3).

DK

BETJENING

PÅSÆTNING / AFTAGNING BATTERIPAKKEN

Produktet må kun bruges med EGO's batteripakker og opladere, der er anført i fig A4.

Du kan finde flere oplysninger i de tilhørende batteripakker og opladervejledninger.

Lad batteriet helt op inden første brug.

- Løft batterirummets dæksel, ved at løfte forsiden af dækslet (fig. D1).
- For at sætte batteriet i**, skal du sætte batteriets riller mod monteringsrillerne. Tryk derefter batteriet ned, indtil du hører et »klik«. Sæt det andet batteri i. (Fig. D2)
- For at tage batteriet ud**, skal du trykke på knappen til batteriudløseren, og træk batteripakken ud (fig. D3).

D3-1	Batteriudløserknop
------	--------------------

- Luk dækslet til batterirummet.

SÅDAN STARTES/STOPPES SNEBLÆSEREN

BEMÆRK: Sneblæseren må ikke tændes umiddelbart efter den slukkes.

Sådan startes sneblæseren

- Sæt batteripakkerne i sneslyngen og luk batteridækslet.
- Tænd for sneslyngen, ved at trykke på sikkerhedsknappen.
- Hold sikkerhedsknappen nede, og træk koblingsbøjlen helt op til hovedhåndtaget (fig. E1).

E1-1	Sikkerhedsknap	E1-2	Koblingsbøjle
------	----------------	------	---------------

- Når sneglen starter, skal du slippe sikkerhedsknappen og starte maskinen (fig. E2).
- Hæv hovedhåndtaget for, at **køre fremad**, så sneglen får kontakt med jorden (fig. E3). Sneglens trækraft gør, at sneslyngen trækkes fremad.

E3-1	Normal driftsindstilling	E3-2	Sneglens drivindstilling
E3-3	Sneglen er i kontakt med jorden		

BEMÆRK: Sneblæseren starter muligvis ikke ordentligt, hvis batteritemperaturen er -20 °C eller derunder. Hvis produktet ikke starter, skal du tage batteriet ud og lad de varme op indendørs i mindst 10 minutter. Sæt derefter batteriet i og prøve igen.

Sådan stoppes sneblæseren

- Slip koblingsbøjlen helt (fig. E4).

E4-1	Safety button (Fully released)	E4-2	Bail switch (Fully released)
------	--------------------------------	------	------------------------------

- El-bremse i den automatiske bremsemekanisme stopper sneglen, når koblingsbøjlen slippes.

System med forskellige snegle-hastigheder (fig. E5)

- For at forøge sneglens hastighed, skal sneglens hastighedsknap trykkes væk fra brugeren.
- For at sænke hastigheden, ska sneglens hastighedsknap trækkes mod brugeren.

Forlygter (fig. E6)

- For at tænde forlygterne, skal du trykke på kontakten til forlygterne. Forlygterne giver skarpt lys foran sneblæseren.
- For at slukke for forlygterne, skal du trykke på kontakten til forlygterne igen.

BEMÆRK: Forlygterne slukker automatisk, hvis sneslyngen ikke bruges i 5 minutter, for at spare på batteriet.

JUSTERING AF UDSØDNINGEN

Snerydningssretningen kan justeres op til 180° (fig. E7).

E7-1	Drejehåndtag til udstødning	E7-2	Udstødning
------	-----------------------------	------	------------

1. Tryk drejehåndtaget til udstødningen fremad, for at dreje udstødningen til venstre.
2. Træk drejehåndtaget til udstødningen tilbage, for at dreje udstødningen til højre.

Sneslyngens slyngeafstand bestemmes delvist af udstødningsskærmens hældningsvinkel (fig. E8).

E8-1	Startknap	E8-2	Udstødningsskærm
------	-----------	------	------------------

1. For at øge afstanden, som sneen slynges, skal du trykke på udløseren til håndtaget til udstødningsskærmen, og derefter hæve udstødningsskærmen. Slip udløseren til håndtaget til udstødningsskærmen, for at låse udstødningsskærmen på plads.
2. For at reducere afstanden, som sneen slynges, skal du blot sænke udstødningsskærmen med dens håndtag.

SÅDAN RENGØRES EN TILSTOPPET UDSTØDNING

1. Sluk for motoren og sneglen!
2. Tag batteripakken ud af sneblæseren.
3. Vent, indtil sneglen er holdt op med at dreje.
4. Brug altid et værktøj, såsom en træstang eller andre værktøjer, der kan købes i almindelig handel. Brug ikke dine hænder.

STRØMINDIKATOREN PÅ SNESLYNGEN

Strømindikatorens lys kun, når sneslyngen startes.

STRØMINDIKATOR	BETYDNING	HANDLING
Blinker grønt	Sikkerhedsknappen er trykket ned, og sneslyngen er tændt og klar til brug. Der er mindst 15 % strøm på hver batteripakke, der er sat i produktet.	Ikke relevant
Lyser grøn	Sneblæseren virker ordentligt. Batteriet har mindst 15 % strøm tilbage.	Ikke relevant

Blinker rødt	Batteripakkens strømniveau er lavt. Sneglen drejer ikke, men forlygterne lyser fortsat i et stykke tid.	Stop sneblæseren, og oplad batterierne.
Lyser orange	Sneblæseren er overophedet.	Stop sneslyngen, og vent indtil maskinen har kølet ned.
Blinker orange	Sneblæseren er overbelastet.	Tag batteripakkerne ud. Se, om sne har samlet sig under sneglen eller har sat sig fast i sneglen. Hvis så, skal sneen fjernes. Sæt tempoet ned, eller reducer bredden af sneen, der ryddes under arbejdet.
Blinker skiftevis rødt og grønt	Kommunikationsfejl.	Kontakt EGO's servicecenter for reparation
Ingen indikation	Hvis lysindikatoren på den ene eller begge batteripakker blinker orange eller lyser rødt, er batteripakkerne overophedet.	Stop sneslyngen, og lad batteripakken køle ned.
	Andre fejl: kontakt, lys mv.	Kontakt EGO's servicecenter for reparation

DK

BESKYTTELSE MOD OVERBELASTNING AF SNEBLÆSEREN

For at forhindre skader på grund af overbelastning, skal du undgå at rydde for meget sne på én gang. Sæt tempoet ned, eller reducer bredden af sneen, der ryddes.

Din sneblæser har indbyggede sensorer, der registrerer, hvis den overbelastes. Hvis sneblæseren overbelastes, reduceres motorens hastighed automatisk og du kan høre motorens larmer mindre. Hvis produktet overbelastes, skal du sænke tempoet og rydde mindre mængde sne

ad gangen. Herefter går motorhastigheden automatisk tilbage til normal drift. Hvis dette ikke hjælper mod overbelastningen, slukker sensorerne automatisk motoren og strømindikatoren blinker orange. Tag batteripakken ud af sneblæseren. Se, om sne eller is har sat sig fast i sneglen og dækket, og fjern det med et værktøj. Sæt batterierne i igen, og start sneblæseren igen.

BESKYTTELSE MOD OVEROPHEDNING AF BATTERIET

Hvis batteritemperaturen kommer over 70°C under drift, slukker temperaturbeskyttelseskredsløbet straks sneblæseren, så batteripakken beskyttes mod overophedning. Strømindikatoren på sneslyngen lyser ikke, og lysindikatoren på batteripakken blinker orange eller lyse rød. Du kan finde yderligere oplysninger om lysindikatoren på batteripakken i afsnittet "BATTERIBESKRIVNING" i batteripakkens brugsvejledning.

Slip koblingsbøjlen og vent, indtil den eller de overophedede batteripakker har kølet ned, og indtil lyset på batteri-lysindikatoren bliver grøn. Start derefter sneslyngen igen.

For at undgå afbrydelser på grund af batteribeskyttelse mod høje temperaturer, skal du undgå at bruge sneslyngen med ét batteri, hvis sneen er over 76 mm høj, eller hvis sneen er meget våd eller is-lignende. Vi anbefaler, at bruge to batterier på samme tid. På denne måde virker sneslyngen bedst.

Når beskyttelsesfunktionen mod høje temperaturer går i gang, skal du sænke tempoet og rydde mindre sne ad gangen, så batterierne ikke overbelastes.

VEDLIGEHOLDELSE

⚠ ADVARSEL: Sørg for at slukke produktet og tage batteripakkerne ud, før du udfører nogen former for vedligeholdelsesopgaver på sneslyngen.

GENEREL VEDLIGEHOLDELSE

Undgå, at bruge opløsningsmidler til rengøring af plastdele. De fleste plastmaterialer risikerer at blive ødelagt, ved brug af forskellige slags alment tilgængelige opløsningsmidler. Brug rene klude til at fjerne snavs, støv, olie, fedt osv.

SMØRING AF MASKINEN

Alle lejerne i dette produkt er smurt med nok smøremiddel af høj kvalitet til hele maskinens levetid under normale driftsforhold. Lejerne skal derfor ikke smøres yderligere.

UDSKIFTNING AF SKRABER-STANGEN

Nødvendigt værktøj (medfølger ikke):

- 8 mm gaffelnøgle
 - T20 Torx skruetrækker
1. Skraber-stangen sidder på bunden af sneslyngens dæk, under sneglen (fig. F1).

F1-1	Skraber-stang
------	---------------

2. Vend sneblæseren om på siden (fig. F2).
3. Brug handsker. Fjern de 5 sæt af møtrikker, fjederskiver og bolte på ydersiden og fjern de 2 Torx-skruer på indersiden. Afmonter den slidte skraber-stang (fig. F2).

F2-1	Udvendig møtrik (x5)	F2-2	Torx-skruer (x2)
------	----------------------	------	------------------

4. Sæt den nye skraber-stang på, og sæt de 2 Torx-skruer i (fig. F3).

F3-1	Indvendigt hul (x2)	F3-2	Skraber-stang (den skinnende overflade skal vende indad)
F3-3	Torx-skruer (x2)		

5. Sæt de 5 bolte på og spænd dem fast med fjederskiverne og møtrikkerne (fig. F4 og F5).

F5-1	Møtrik	F5-2	Fjederskive
F5-3	Dæk	F5-4	Skraber-stang
F5-5	Bolt		

UDSKIFTNING AF GUMMISKOVLENE OG GUMMISNEGLENE

For at udskifte gummipadlerne: (Fig. G1)

G1-1	Gummiskovle	G1-2	2 sæt bolte og møtrikker på hver skovl (i alt 4 sæt)
------	-------------	------	--

Nødvendigt værktøj (medfølger ikke):

- Flad skruetrækker
 - 10 mm gaffelnøgle
1. Brug handsker. Drej stålsneglen manuelt til den passende position, så den nem kan tages af gummiskovlen.
 2. Fjern alle fastspændte bolte og møtrikker, for at tage gummiskovlen ud.

3. Skift dem med de nye gummiskovle, og spænd dem ordentligt fast.

Sådan udskiftes gummisneglene (fig. G2)

G2-1	Gummisnegl (x4)	G2-2	1 sæt bolt, skive og møtrik på hver snegl (i alt 4 sæt)
G2-3	2 sæt bolte og møtrikker på hver snegl (i alt 8 sæt)		

Nødvendige værktøjer:

- 13 mm gaffelnøgle (medfølger ikke)
 - 5 mm unbrakonøgle (medfølger)
1. Brug handsker. Drej stålsneglen manuelt til den passende position, så den nem kan tages af gummisneglen.
 2. Fjern alle fastspændte bolte og møtrikker, for at tage gummisneglen ud.
 3. Skift dem med de nye gummisnegle, og spænd dem ordentligt fast.

OPBEVARING AF SNEBLÆSEREN

- Tag batteripakkerne ud og opbevar dem et sikkert sted, uden for børns rækkevidde.

Før opbevaring af produktet, skal du tørre fugt, skidt og snavs af på og omkring batterirummet.

- Tør sneblæseren af med en ren, tør klud.
- Kontroller alle møtrikker, bolte, drejknapper, skruer osv., og sørg for at de er spændt.
- Se bevægelige dele efter for skader, brud og slid. Beskadede dele skal repareres og manglende dele skal sættes på.
- Fold sideskinne sammen til opbevaringspositionen.
- Opbevar sneblæseren på et rent, tørt og lukket sted, uden for børns rækkevidde.
- Sneblæseren må ikke opbevares ved siden af ætsende stoffer, såsom gødning og stensalt.

SÅDAN FOLDES SIDESKINNERNE SAMMEN

1. Tryk udstødningens drejehåndtag helt frem, så udstødningen rettes til venstre, så den ikke er i vejen, når den foldes sammen. Tryk på udløseren til håndtaget til udstødningsskærmen, for at vippe det helt ned (fig. H1).

2. Åbn låsehåndtagene på begge sider, for at folde sideskinne sammen til opbevaringspositionen (fig. H2).

SÅDAN LØFTES OG BÆRES SNEBLÆSEREN

1. Tag batteripakkerne ud.
2. Fold sideskinne sammen, som beskrevet i forrige kapitel.
3. Produktet løftes og bæres ved, at tage fat i løftehåndtaget med den ene hånd og i løfteområdet oven på sneindtaget (lige under EGO-logoet) med den anden hånd (fig. I).

I-1	Løfteområde	I-2	Løft håndtaget
-----	-------------	-----	----------------

DK

BESKYTTELSE AF MILJØET



WEEE (Waste Electrical and Electronic Equipment) Elektrisk udstyr, batterioplader og batterier må ikke smides ud sammen med almindelig husholdningsaffald! Tag dette produkt til en autoriseret genbrugsplads, og sørg for at det sendes til genbrug. Elektriske værktøjer skal returneres til et miljøkompatibelt genvinding-sanlæg.

FEJLFINDING

PROBLEM	ÅRSAG	LØSNING
Sideskinnerne bliver ikke på plads.	<ul style="list-style-type: none"> ▪ Låseknopper på sideskinnerne og/eller låsehåndtagene er ikke strammet. 	<ul style="list-style-type: none"> ▪ Sørg for, at låseknopperne på sideskinnerne er helt strammet, og at låsehåndtagene er helt lukkede.
<p>DK</p> <p>Sneblæseren starter ikke.</p>	<ul style="list-style-type: none"> ▪ Batteriniveaulet er lavt. ▪ Sneglen er frossen af sne eller is. ▪ Batteripakken er overophedet. Lysindikatoren på batteripakkerne blinker orange eller lyser rød (se afsnittet "BESKYTTELSE MOD OVEROPHEDNING AF BATTERIET" i denne brugsvejledning). ▪ Sneslyngen tændes på en forkert måde. ▪ Uidentificeret fejl 	<ul style="list-style-type: none"> ▪ Oplad batteriet. ▪ Tag først batteripakken/batterierne ud, og brug derefter et værktøj til, at fjerne sneen eller isen, der har sat sig fast i sneglen. Sæt batteripakkerne i igen, og start sneblæseren igen. ▪ Tag de overophedede batteripakker ud af sneslyngen, og vent, indtil de har kølet ned til ca. 67 °C. Sæt batterierne i igen, og start sneblæseren igen. ▪ (1) Hold sikkerhedsknappen nede, indtil strømindikatoren blinker grøn. (2) Hold knappen nede, og træk koblingsbøjlen helt op til hovedhåndtaget. ▪ Kontakt EGO's servicecenter for reparation
Motoren er tændt, men sneglen drejer ikke.	<ul style="list-style-type: none"> ▪ Drivremmen er slidt eller knækket. 	<ul style="list-style-type: none"> ▪ Kontakt EGO's servicecenter for reparation
Sneslyngen efter et lag sne på jorden efter brug.	<ul style="list-style-type: none"> ▪ Skraber-stangen er slidt. 	<ul style="list-style-type: none"> ▪ Udskift skraberen ved at følge vejledningerne i afsnittet "UDSKIFTNING AF SKRABER-STANGEN" i denne brugsvejledning.
Sneslyngen slynger ikke nok sne.	<ul style="list-style-type: none"> ▪ Gummipadlerne er slidte. ▪ Sneglens hastighed er muligvis for lav. 	<ul style="list-style-type: none"> ▪ Udskift gummiskovlene, ved at følge vejledningerne i afsnittet "SÅDAN UDSKIFTES GUMMISKOVLENE" i denne brugsvejledning. ▪ Øg sneglens hastighed
The auger fails to get traction and it requires extra effort to push the snow blower forward.	<ul style="list-style-type: none"> ▪ Gummisneglene er slidte. 	<ul style="list-style-type: none"> ▪ Udskift gummisneglene, ved at følge vejledningerne i afsnittet "SÅDAN UDSKIFTES GUMMSNEGLENE" i denne brugsvejledning.



GARANTI

EGO GARANTI POLITIK

Besøg venligst hjemmesiden [egopowerplus.com](https://www.egopowerplus.com) for fuldstændige vilkår og betingelser for EGO's garantipolitik.

DK

LÄS IGENOM ALLA INSTRUKTIONER!

**LÄS IGENOM BRUKSANVISNINGEN**

SÄKERHETSSYMBOL

Användning av något elverktyg kan resultera i att främmande föremål kastas in i dina ögon vilket kan resultera i allvariga ögonskador. Innan elverktyget börjar användas skall alltid skyddsglasögon eller skyddsglasögon med sidoskydd och full ansiktsskydd användas när så behövs. Vi rekommenderar att en ansiktsmask med brett synfält används ovanpå glasögonen eller standard skyddsglasögon med sidoskydd.

SE**Säkerhetslarm**

För att minska risker för skador måste användare läsa igenom och förstå bruksanvisningen innan denna produkt används.



Använd alltid skyddsglasögon eller säkerhetsglasögon med sidoskydd och en full ansiktsmask när denna produkt används.



Använd inte händerna för att rensa rännan.

**FÖRSIKTIGHET:** Stirra inte in i arbetslampan.**Håll undan fötter och händer**

Håll fötterna borta från det roterande pumphjulet.



Garanterad ljudeffektnivå. Bulleremissioner för omgivningen enligt EU-direktivet.



Förbrukade elektriska produkter får inte kastas i hushållssoporna. Lämna in dem till en auktoriserad återvinningsstation.



Denna produkt är i enlighet med gällande EG-direktiv.

**Likström**

Denna produkt uppfyller tillämpliga lagar i Storbritannien.

IPX4 Skyddsgrad mot inträngande av vatten

V Volt

cm Centimeter

m Meter

kg Kilogram

SPECIFIKATIONER

Spänning	56 V	
Bearbetningsbredd	520 mm	
Intagshöjd	330 mm	
Kastavstånd	Upp till 14 m	
Hjulstorlek	178 mm	
Rekommenderad drifttemperatur	-20°C - 10°C	
Förvaringstemperatur	-20°C - 70°C	
Vikt (utan batteripaket)	27 kg	
Uppmätt ljudeffektnivå LWA	96 dB(A) K=1,8 dB(A)	
Ljudtrycksnivå vid operatörens öra LPA	80 dB(A) K=4 dB(A)	
Garanterad ljudtrycksnivå LWA (uppmätt enligt 2000/14/EG)	98 dB(A)	
Värdering av vibration ah:	Vänster handtag	1,3 m/s ² K=1,5 m/s ²
	Höger handtag	1,3 m/s ² K=1,5 m/s ²

- Det deklarerade totala vibrationsvärdet har uppmätts i enlighet med en standardtestmetod och kan användas för att jämföra ett verktyg med ett annat.
- Det deklarerade totala vibrationsvärdet kan också användas i en preliminär utvärdering av exponeringen.

UPPMÄRKSAMMA: Vibrationsutstrålningen under verklig användning av elverktyg kan skilja sig från det deklarerade värdet i vilken verktyget används. För att skydda användaren skall skyddshandskar och hörselskydd användas under faktiska användningsförhållandet.

REKOMMENDERADE TILLBEHÖR

⚠ VARNING: Följande delar kan bli utslitna vid normal användning. Använd endast identiska utbytesdelar som listas nedan. Användning av delar som inte uppfyller originaldelarnas specifikationer kan leda till felaktig prestanda och riskera säkerheten.

PART NAME	MODEL NUMBER
Gummipaddel och gum-miskruvsats	ARP2120
Skrapskena	ASS2120

BESKRIVNING

LÄR KÄNNA DIN SNÖSLUNGA (bild A1 - A3)

- Huvudhandtag
- Omkopplarthandtag (omkopplarspak)
- Strömindikator
- Lyfthandtag
- Snabbblåsspak
- Lock till batterifack
- Hjul (x2)
- Drivremsskydd
- Montering matarskruv
- LED-strålkastare
- Utkastarriktare
- Utkastare - riktningshandtag
- Utkastare - vridhandtag
- Insexnyckel
- Matarskruv hastighetsratt
- Omkopplare LED-strålkastare
- Säkerhetsknapp
- Låsknapp för batteriet
- Låsratt
- Spärrhake
- Utmatningsmekanism
- Elektrisk kontakt

PACKLISTA (BILD A1)

MONTERING

FÄLLA UT SIDOSKENORNA

- Din snöslunga levereras med sidoskenorna i hopfällt, låst läge (bild B1).
- Öppna snabbblåsspakarna på båda sidor och vrid försiktigt sidoskenorna uppåt tills de stannar (bild B2 och B3).
- Stäng snabbblåsspakarna och dra sedan åt låsknapparna (bild B4).

SE

INSTALLERA RÄNNAN

1. Använd den medföljande sexkantsnyckeln för att lossa och ta bort de två uppsättningsarna bultar och brickor i rännan (bild C1).

C1-1	Rännans bas
------	-------------

2. Rikta in rännans spår med spåret på rännan och tryck sedan rännan på plats (bild C2).

C2-1	Rännans spår	C2-2	Spår på rännan bas
------	--------------	------	--------------------

SE

3. Använd den medföljande sexkantsnyckeln för att låsa rännan på plats med de två uppsättningsarna bultar och brickor (bild C3).

DRIFT

FÄST/TA LOSS BATTERIPAKETET

Använd endast med EGOs batteripaket och laddare som listas i bild A4.

Se motsvarande batteripaket och laddarmanualer för mer information.

Ladda fullt innan första användning.

1. Lyft upp batterifackets lock genom att lyfta framsidan av locket (bild D1).
2. **Fastsättning**, Rikta in listerna på batteriet med monteringsspåren och tryck sedan ner batteripaketet tills du hör ett "klick". Fäst det andra batteriet. (Bild D2)
3. **Borttagning**, Tryck in låsknappen för batteriet och dra sedan ut batteripaketet (bild D3).

D3-1	Låsknapp för batteriet
------	------------------------

4. Stäng luckan till batterifacket.

STARTA/STOPPA SNÖSLUNGAN

UPPMÄRKSAMMA: Växla inte snabbt mellan på och av med snöslungan.

Starta snöslungan

1. Sätt i batteripaketet i snöslungan och stäng batterilocket.
2. Slå på snöslungan genom att trycka på säkerhetsknappen.
3. Med säkerhetsknappen nedtryckt drar du

borgensbrytaren uppåt för att möta huvudhandtaget (bild E1).

E1-1	Säkerhetsknapp	E1-2	Kulomkopplare
------	----------------	------	---------------

4. När matarskraven startar släpper du säkerhetsknappen och börjar arbeta (bild E2).
5. **För att gå framåt**, lyft huvudhandtaget så att matarskravenheten kan komma i kontakt med marken (bild E3). Matarskravens dragning hjälper till att flytta snöslungan framåt.

E3-1	Normalt arbet-släge	E3-2	Matarskruv framåt-driven position
E3-3	Matarskruvmontering som kommer i kontakt med marken		

UPPMÄRKSAMMA: Snöslungan kanske inte startar ordentligt om batteriernas temperatur är -20 °C eller lägre. Om snöslungan inte startar, ta bort batteriet från snöslungan och värm det inomhus i 10 minuter eller längre. Sätt tillbaka batteriet och försök igen.

Stanna snöslungan

1. Släpp bågomkopplaren helt (bild E4).

E4-1	Säkerhetsknapp (helt släppt)	E4-2	Bågomkopplare (helt släppt)
------	------------------------------	------	-----------------------------

2. Den elektriska bromsen i den automatiska bromsmekanismen stoppar matarskravens rotation efter att bågomkopplaren släppts.

Variabel hastighetssystem för matarskraven (bild E5)

1. För att öka matarskravens hastighet, flytta matarskravens hastighetsratt bort från operatören.
2. För att minska hastigheten, flytta matarskravens hastighetsratt mot operatören.

LED-strålkastare (bild E6)

1. För att slå på strålkastarna, tryck på LED-strålkastarnas omkopplare. Strålkastarna ger starkt ljus framför snöslungan.
2. För att stänga av strålkastarna, tryck på LED-strålkastarens omkopplare igen.

NOTERA: LED-strålkastarna släcks automatiskt när snöslungan är inaktiv i 5 minuter för att bevara batteriladdningen.

JUSTERA RÄNNAN

Snöröjningsriktningen kan justeras upp till 180° (bild E7).

E7-1	Ränna - vridhandtag	E7-2	Ränna
------	---------------------	------	-------

1. Tryck rännans rotationshandtag framåt för att rotera rännan åt vänster.
2. Dra rännans rotationshandtag bakåt för att rotera rännan åt höger.

Kastavståndet för snöslungan kan ställas in genom att flytta utkastarriktaren upp eller ned (bild E8).

E8-1	Gasreglage	E8-2	Utkastarriktare
------	------------	------	-----------------

1. För att öka eller minska avståndet som snön kastas iväg, dra utkastarriktarens handtag bakåt eller framåt för att höja eller sänka utkastarriktaren. Släpp avtryckaren på rännnavvisarens handtag för att låsa rännnavvisaren på plats.
2. För att minska avståndet som snön kastas iväg, sänk utkastarriktarens handtag.

RENGÖRING AV IGENSATT UTKASTARE

1. Stäng av motorn och matarskruven!
2. Ta bort batteripaketet från snöslungan.
3. Vänta tills matarskruven har slutat rotera.
4. Använd alltid ett rengöringsverktyg, till exempel en trästav eller andra röjningsverktyg som är kommersiellt tillgängliga; Använd inte handen.

STRÖMINDIKATOR PÅ SNÖSLUNGAN

Strömindikatorn tänds endast när snöslungan startas.

STRÖMINDIKATOR	INNEBÖRD	ÅTGÄRD
Bliker grönt	Säkerhetsknappen är nedtryckt och snöslungan är påslagen och redo att arbeta. Varje isatt batteripaket har minst 15 % av laddningen.	inte tillämpligt

Lyser grönt	Snöslungaren arbetar korrekt, varje batteri har minst 15 % av dess laddning kvar.	inte tillämpligt
Bliker rött	Batteripaketets laddningsnivå är låg. Matarskruven snurrar inte, men LED-strålkastarna kan vara på en kort stund.	Stoppa snöslungan och ladda batteripaketet
Lyser orange	Snöslungan är överhettad.	Stoppa snöslungan och vänta en stund för att låta maskinen svalna.
Bliker orange	Snöslungan är överladdad	Ta bort batteripaketet. Kontrollera och rensa bort all snö som har samlats under eller ligger i skruven. Sakta ner tempot eller minska bredden på snöröjningssträckan när du arbetar.
Bliker växelvis rött/grönt	Kommunikationsfel.	Kontakta ett EGO servicecenter för reparation.
LED-indikering	Om LED-indikatorn på ett eller båda batteripaketet blinkar orange eller lyser rött är batteripaketet/batterierna överhettade.	Stoppa snöslungan och låt batteriet svalna.
	Andra fel: strömbrytare, ljus etc.	Kontakta ett EGO servicecenter för reparation.

SE

SNÖSLUNGA ÖVERBELASTNINGSSKYDD

För att förhindra överbelastning, försök att inte att ta bort alltför mycket snö på en gång. Sakta ner tempot eller minska bredden på snöröjningsstråket.

Din snöslunga har ett inbyggt avkänningselement för överbelastning. När snöslungan blir överbelastad kommer motorn att sänka hastigheten automatiskt och du kommer att höra att motorljudet minskar. Vid överbelastning, sakta ner din takt eller begränsa röjningsbredden, varefter motorvarvtalet återupptar sin normala inställning automatiskt. Om denna åtgärd inte löser överbelastningssituationen, kommer sensorn att automatiskt stänga av motorn och LED-indikatorn på snöslungan kommer att blinka orange. Ta bort batteripaketet från snöslungan. Kontrollera om det sitter snö eller is fast i skruven och däckets och använd ett rengöringsverktyg för att rensa ut dem vid behov. Sätt tillbaka batteriet och starta om snöslungan.

SE

SKYDD HÖG BATTERITEMPERATUR

Om batteritemperaturen överstiger 70 °C under drift, kommer temperaturskyddskretsen omedelbart att stänga av maskinen för att skydda batteripaketet från överhettningsskador. Strömindikatorn på snöslungan släcks och LED-indikatorn på batteriet blinkar orange eller lyser rött. Se avsnittet "BATTERISKYDD" i batterioperatörens bruksanvisning för mer information om LED-indikatorn på batteriet.

Släpp bågbrytaren och vänta tills de överhettade batteripaketet svalnar och lampan på batteriets LED-indikator blir grön och starta sedan om snöslungan.

För att förhindra avstängning på grund av batteriets högttemperaturskydd, försök inte använda ett enda batteri för att driva snöblåsaren när djupet på den ackumulerade snön överstiger 76 mm eller när snön är mycket våt eller isig. Vi rekommenderar att du använder två batterier som fungerar samtidigt. Detta är till hjälp för att uppnå snöslungans toppeffekt.

När höga temperaturskyddet aktiverats, sakta ner din takt och begränsa bredden på snöröjningssträckan för att minska belastningen på batteriet.

MUNDERHÅLL

⚠ VARNING: Se till att stänga av enheten och ta bort batteriet/batterierna innan du utför någon underhållsåtgärd på din snöslunga.

ALLMÄNT UNDERHÅLL

Använd inte lösningsmedel när du rengör plastdelarna. De flesta plaster är känsliga för skador från olika typer av kommersiella lösningsmedel och kan skadas av dess användning. Använd rena trasor för att ta bort smuts, damm, olja, fett osv.

SMÖRJA MASKINEN

Alla lager i denna produkt är smorda med tillräcklig mängd höggradigt smörjmedel för enhetens livslängd under normala driftförhållanden. Därför behövs ingen ytterligare smörjning av lagren.

BYT SKRAPSTÅNGEN.

Nödvändiga verktyg (ingår ej):

- Öppna skruvnycklar (8 mm)
- T20 Torx skruvmejsel

1. Skrapstången är placerad längst ner på snöslungans däck, under matarskruven (bild F1).

F1-1	Skrapskena
------	------------

2. Vrid snöblåsaren på sidan (bild F2).
3. Använd handskar. Ta bort de 5 uppsättningarna muttrar, fjäderbrickor och bultar från utsidan och ta bort de 2 Torx-skruvarna från insidan. Ta bort den slitna skrapstången (bild F2).

F2-1	Utvändig mutter (x5)	F2-2	Torx skruv (x2)
------	----------------------	------	-----------------

4. Fäst den nya skrapstången och sätt i 2 Torx-skruvarna (bild F3).

F3-1	Inre hål (x2)	F3-2	Skrapstång (blank yta vänd inåt)
F3-3	Torx skruv (x2)		

5. Sätt i de 5 bultarna och dra åt med fjäderbrickor och muttrar (bild F4 och F5).

F5-1	Mutter	F5-2	Fjäderbricka
F5-3	Däck	F5-4	Skrapskena
F5-5	Bult		

BYTE AV GUMMIPADDLAR & GUMMIMATARSKRUVAR

Så här byter du gummipaddlarna: (Bild G1)

G1-1	Gummipackning	G1-2	2 uppsättningar bultar och muttrar på varje paddel (totalt 4 uppsättningar)
------	---------------	------	---

Nödvändiga verktyg (ingår ej):

- Skruvmejsel med platt huvud
- Öppna skruvnycklar (10 mm)

1. Använd handskar. Vrid stålmatarskruven manuellt till lämpligt läge för enkel demontering av gummipaddel.
2. Ta bort alla fästbultar och muttrar för att ta ut gummipaddlarna.
3. Byt ut dem mot de nya gummipaddlarna och dra åt dem ordentligt.

För att byta ut gummiskruvarna (bild G2)

G2-1	Gummiskruv (x4)	G2-2	1 uppsättning bult, bricka och mutter på varje skruv (totalt 4 uppsättningar)
G2-3	2 uppsättningar bultar och muttrar på varje skruv (totalt 8 uppsättningar)		

Nödvändiga verktyg:

- 13 mm öppna skruvnyckel (ingår ej)
 - 5 mm insexnyckel (medföljer)
1. Använd handskar. Vrid stålmatarskruven manuellt till lämpligt läge för enkel demontering av gummiskruvar.
 2. Ta bort alla fästbultar och muttrar för att ta ut gummiskruvarna.
 3. Byt ut dem med de nya gummiskruvarna och dra åt dem ordentligt.

FÖRVARA SNÖSLUNGAN

- Ta bort batteripaketet och förvara det på annan plats utom räckhåll för barn.

Torka av fukt, smuts eller skräp från och runt batterifacket före förvaring.

- Torka snöslungan med en ren och torr trasa.
- Kontrollera alla muttrar, bultar, vred, skruvar etc. att de är åtdragna.
- Inspektera rörliga delar om de är skadade, spräckta eller slitna. Reparera alla skadade delar och ersätt delar som saknas.
- Vik sidoskenorna till förvaringsläget.
- Förvara snöslungan på en ren, torr och sluten plats utom räckhåll för barn.
- Förvara det inte nära korrosiva material, såsom gödningsmedel eller bergssalt.

FÄLLNING AV SIDOSKENORNA

1. Tryck på rännans rotationshandtag hela vägen framåt så att rännan är vänd åt vänster, vilket säkerställer att det inte orsakar störningar vid vikning. Pressa avtryckaren på rännans deflektorhandtag för att luta den hela vägen ner (bild H1).
2. Öppna snabbkopplingsspakarna på båda sidor för att fälla sidoskenorna till förvaringsläget (bild H2).

LYFTA OCH BÄRA SNÖSLUNGAN

1. Ta bort batteripaketet
2. Vik sidoskenorna enligt beskrivningen i föregående kapitel.
3. Lyft och bär enheten genom att ta tag i lyfthandtaget med ena handen och lyftområdet, ovanpå snöintaget (precis under EGO-logotypen), med den andra handen (bild I).

SE

I-1	Lyftområde	I-2	Lyftandtag
-----	------------	-----	------------

SKYDDA MILJÖN



WEEE (Waste Electrical and Electronic Equipment) Kasta inte elektrisk utrustning, använt batteri och laddare i hushållssoporna! Ta denna produkt till en auktoriserad återvinnare och gör den tillgänglig för separat insamling. Elektriska verktyg måste returneras till en miljöanpassad återvinningsanläggning.

FELSÖKNING

PROBLEM	ORSAK	LÖSNING
Sidoskenor håller sig inte på plats.	<ul style="list-style-type: none"> ■ Låsknappar på sidoskenorna och/eller snabbkopplingsspakarna är inte säkrade. 	<ul style="list-style-type: none"> ■ Se till att låsknapparna på sidoskenorna är helt åtdragna och att snabbkopplingsspakarna är helt stängda.
Snöslungan startar inte.	<ul style="list-style-type: none"> ■ Batteriladdningen är låg. ■ Matarskruven är fryst med snö eller is. ■ Batteriet är överhettat. LED-indikatorn på batteriet blinkar orange eller lyser röd (se sektionen "SKYDD HÖG BATTERITEMPERATUR" i denna manual) ■ Felaktiga steg som gjorts för att driva på snöslungan. ■ Oidentifierat fel 	<ul style="list-style-type: none"> ■ Ladda batteriet. ■ Ta först bort batteriet/batterierna och använd sedan ett rengöringsverktyg för att rensa snön eller isen som hindrar skruven. Sätt tillbaka batteripaketet och starta om snöslungan. ■ Ta bort det eller de överhettade batteripaketerna från snöslungan och vänta tills batteriet/batterierna har svalnat till cirka 67 °C. Sätt tillbaka batteripaketet och starta om snöslungan. ■ (1) Tryck på säkerhetsknappen tills strömindikatorn blinkar grönt. (2) Med knappen nedtryckt drar du bågomkopplaren uppåt för att möta huvudhandtaget. ■ Kontakta ett EGO servicecenter för reparation.
Motorn är påslagen med matarskruven snurrar inte.	<ul style="list-style-type: none"> ■ Drivremmen är sliten eller trasig. 	<ul style="list-style-type: none"> ■ Kontakta ett EGO servicecenter för reparation.
Efter att ha passerat lämnar snöblåsaren ett lager snö på marken.	<ul style="list-style-type: none"> ■ Skrapstången är sliten. 	<ul style="list-style-type: none"> ■ Byt ut skrapan efter avsnittet "BYTA UT SKRAPSTÅNGEN" i den här handboken.
Snöslungan kastar mindre snö.	<ul style="list-style-type: none"> ■ Gummipaddlarna är slitna. ■ Matarskruvens hastighet kan vara för låg. 	<ul style="list-style-type: none"> ■ Byt ut gummipaddlarna enligt avsnittet "BYTA GUMMIPADDLARNAN" i den här handboken. ■ Öka matarskruvens hastighet
The auger fails to get traction and it requires extra effort to push the snow blower forward.	<ul style="list-style-type: none"> ■ Gummiskruvarna är slitna. 	<ul style="list-style-type: none"> ■ Byt ut gummiskruvarna enligt avsnittet "FÖR ATT BYTA UT GUMMIMATARSKRUVARNA" i den här handboken.

SE



GARANTI

EGO GARANTIPOLICY

Besök webbsidan egopowerplus.com för fullständiga villkor för EGO garantipolicy.

SE

LUE KAIKKI OHJEET!



LUE KÄYTTÖOPAS

TURVALLISUUSSYMBOLI

Minkä tahansa sähkötyökalun käyttö saattaa aiheuttaa vierasesineiden sinkoutumisen silmiin, mikä voi aiheuttaa vakavia silmävammoja. Käytä aina suojalaseja, joissa on sivusuojat, ja tarvittaessa koko kasvoit peittävää suojaa, kun käytät sähkötyökaluja. Silmälasien päällä suosittelemme käytettäväksi suojamaskia, jossa on laaja näkökenttä, tai tavallisia suojalaseja, joissa on sivusuojat.



Turvallisuushälytys

FI



Käyttäjän on luettava ja ymmärrettävä käyttöopas ennen tämän laitteen käyttöä loukkaantumisvaaran vähentämiseksi.



Käytä aina suojalaseja tai sivusuojilla varustettuja suojalaseja ja kokonaamaria, kun käytät tätä tuotetta.



Älä käytä käsiä kourun tukoksien poistoon.



HUOMIO: Älä tuijota käyttövaloa.



Pidä jalat ja kädet etäällä



Pidä jalat etäällä pyörivästä siipipyörästä



Taattu äänitehotaso. Melupäästöt ympäristöön Euroopan yhteisön direktiivin mukaiset.



Vanhoja sähkölaitteita ei saa hävittää kotitalousjätteen mukana. Vie laite valtuutettuun kierrätyslaitokseen.



Tämä tuote vastaa sovellettavia EU-direktiivejä.



Tasavirta



Tämä tuote vastaa sovellettavaa UK-lainsäädäntöä.

IPX4 Suojausaste veden sisäänkäydy vastaan

cm Senttimetri

kg Kilogramma

V Voltti

m Mittari

TEKNISET TIEDOT

Jännite	56 V	
Puhdistusleveys	520 mm	
Poistokorkeus	330 mm	
Heittoetäisyys	Jopa 14 m	
Pyörän koko	178 mm	
Suosittelu käyttölämpötila	-20°C - 10°C	
Varastointilämpötila	-20°C - 70°C	
Paino (ilman akkua)	27 kg	
Mitattu äänitehotaso L_{WA}	96 dB(A) K=1,8 dB(A)	
Äänenpaineen taso käyttäjän korvien tasolla L_{PA}	80 dB(A) K=4 dB(A)	
Taattu äänentehotaso L_{WA} (mitattu 2000/14/EY mukaisesti)	98 dB(A)	
Tärinäarvo a_n :	Vasen kahva	1,3 m/s ² K=1,5 m/s ²
	Oikea kahva	1,3 m/s ² K=1,5 m/s ²

- Ilmoitettu tärinän kokonaispäästöarvo on mitattu standarditestausmenetelmän mukaisesti, ja sen avulla voidaan vertailla työkaluja keskenään;
- Ilmoitettua tärinän kokonaispäästöarvoa voidaan käyttää myös altistumisen alustavaan arviointiin.

HUOMAUTUS: Työkalun käytön aikana mitattu todellinen tärinäpäästöarvo voi poiketa ilmoitetusta kokonaispäästöarvosta työkalun käyttötavasta johtuen; käyttäjän suojaamiseksi tulee käyttää käsineitä ja kuulosuojaimia varsinaisissa käyttöolosuhteissa.

SUOSITELLUT LISÄVARUSTEET

VAROITUS: Seuraavat osat altistuvat kulumiselle normaalissa käytössä. Käytä vaihto-osina vain identtisiä varaosia. Sellaisten osien käyttö, jotka eivät vastaa alkuperäisiä laitemäärityksiä, saattaa aiheuttaa vääränlaisen toiminnan ja heikentää turvallisuutta.

OSAN NIMI	MALLIN NUMERO
Kumisiivet ja kuminen lumikierukkasarja	ARP2120
Kaavintanko	ASS2120

KUVAUS

TUNNE LUMILINKOSI (kuvat A1–A3)

- Pääkahva
- Sankakytkin (kytkinvipu)
- Virran merkkipälo
- Nostokahva
- Pikavapautusvipu
- Akkulokeron kansi
- Pyörä (x2)
- Vetohihnan suojus
- Lumikierukkakokoonpano
- LED-ajovalot
- Kourun ohjauslevy
- Kourun ohjauslevyn kahva
- Kourun kääntökahva
- Kuusiokoloavain
- Lumikierukan nopeussäädin
- LED-ajovalojen kytkin
- Turvapainike
- Akun vapautuspainike
- Lukitusnappi
- Salpa
- Poistomekanismi
- Sähköliitäntä

PAKKAUSLUETTELO (KUVA A1)

KOKOAMINEN

SIVUKISKOJEN AVAAMINEN

- Lumilinko toimitetaan siten, että sivukiskot on taitettu lukittuun asentoon (kuva B1).
- Avaa molemmilla sivuilla olevat pikavapautusviput ja käännä sivukiskoja varovasti ylöspäin, kunnes ne pysähtyvät (kuvat B2 ja B3).
- Sulje pikavapautusviput ja kiristä sitten lukitusnappi (kuva B4).

KOURUN ASENTAMINEN

- Löysää ja irrota kourun pohjassa olevat kaksi pultti- ja aluslevysarjaa mukana toimitetulla kuusiokoloavaimella (kuva C1).

C1-1	Kourun pohja
------	--------------

2. Kohdistu kourun urat kourun pohjassa olevaan aukkoon ja työnnä sitten kouru paikalleen (kuva C2).

C2-1	Kourun ura	C2-2	Kourun pohjassa oleva aukko
------	------------	------	-----------------------------

3. Käytä mukana toimitettua kuusiokoloavainta lukitaksesi kourun paikalleen kahdella pultti- ja aluslevysarjalla (kuva C3).

KÄYTTÖ

FI AKUN LIITTÄMINEN/POISTAMINEN

Käytä vain EGO:n akkuja ja latureita, jotka on lueteltu kuvassa A4.

Lisätietoja on vastaavien akkujen ja latureiden käyttöohjeissa.

Lataa täyteen ennen ensimmäistä käyttökertaa.

- Nosta akkulokeron kansi ylös nostamalla kannen etuosaa (kuva D1).
- Kiinnitä** asettamalla akun ulokkeet kiinnitysaukkoihin ja paina akkua alaspäin, kunnes kuulet "napsahduksen". Kiinnitä toinen akku. (Kuva D2)
- Poista** painamalla akun vapautuspainiketta ja vetämällä akku ulos (kuva D3).

D3-1	Akun vapautuspainike
------	----------------------

4. Sulje paristolokeron kansi.

LUMILINGON KÄYNNISTYS/SAMMUTUS

HUOMAUTUS: Älä sammuta ja käynnistä lumilinkoa nopeasti peräjälkeen.

Lumilingon käynnistäminen

- Kiinnitä akku lumilinkoon ja sulje akun kansi.
- Kytke lumilinko päälle painamalla turvapainiketta.
- Kun turvapainike on painettuna, vedä sankakytintä ylöspäin pääkahvaan asti (kuva E1).

E1-1	Turvapainike	E1-2	Sankakytin
------	--------------	------	------------

4. Kun lumikierukka käynnistyy, vapauta turvapainike ja aloita käyttö (kuva E2).

5. **Eteenpäin etenemistä** varten nostetaan pääkahvaa, jotta lumikierukkakokoonpano pääsee kosketuksiin maanpinnan kanssa (kuva E3). Lumikierukan veto auttaa lumilingon siirtämisessä eteenpäin.

E3-1	Normaali käyttöasento	E3-2	Lumikierukan vetoasento
E3-3	Maahan kosketuksissa oleva lumikierukkakokoonpano		

HUOMAUTUS: Lumilinko ei ehkä käynnisty kunnolla, jos akun lämpötila on -20 °C tai sen alle. Jos laite ei käynnisty, poista akku lumilingosta ja anna akun lämmetä sisätilassa 10 minuuttia tai pitempään. Asenna akku takaisin ja yritä uudelleen.

Lumilingon pysäyttäminen

1. Vapauta sankakytin täysin (kuva E4).

E4-1	Turvapainike (täysin vapautettu)	E4-2	Sankakytin (täysin vapautettu)
------	----------------------------------	------	--------------------------------

2. Automaattisen jarrutusmekanismin sähköjarru pysäyttää lumikierukan pyörimisen, kun sankakytin vapautetaan.

Muuttuvanopeuksinen lumikierukkajärjestelmä (kuva E5)

- Jos haluat lisätä lumikierukan nopeutta, siirrä lumikierukan nopeussäädintä pois päin käyttäjistä.
- Jos haluat vähentää nopeutta, siirrä lumikierukan nopeussäädintä käyttäjää kohti.

LED-ajovalot (kuva E6)

- Kytke ajovalot päälle painamalla LED-ajovalojen kytkintä. Ajovalot tuottavat kirkkaan valon lumilingon eteen.
- Sammuta ajovalot painamalla LED-ajovalojen kytkintä uudelleen.

HUOMAA: LED-ajovalot kytkeytyvät automaattisesti pois päältä akun varauksen säilyttämiseksi, jos lumilinkoa ei käytetä 5 minuuttiin.

KOURUN SÄÄTÄMINEN

Lumenpoiston **suuntaa** voidaan säätää jopa 180° (kuva E7).

E7-1	Kourun kääntökahva	E7-2	Kouru
------	--------------------	------	-------

1. Työnnä kourun kääntökahvaa eteenpäin, jotta kouru kääntyy vasemmalle.
2. Vedä kourun kääntökahvaa taaksepäin, jotta kouru kääntyy oikealle.

Lumilingon **heittoetäisyys** määräytyy osittain kourun ohjauslevyn kallistuskulman mukaan (kuva E8).

E8-1	Liipaisin	E8-2	Kourun ohjauslevy
------	-----------	------	-------------------

1. Voit pidentää lumen heittoetäisyyttä puristamalla liipaisinta kourun ohjauslevyn kahvassa ja nostamalla sitten kourun ohjauslevyä. Vapauta kourun ohjauslevyn kahvan liipaisin lukitaksesi kourun ohjauslevyn paikalleen.
2. Voit lyhentää lumen heittoetäisyyttä laskemalla ohjauslevyä kourun ohjauslevyn kahvalla.

TUKKEUTUNEEN KOURUN PUHDISTUS

1. Sammuta moottori ja ruuvi!
2. Irrota akku lumilingosta.
3. Odota, kunnes ruuvi on pysähtynyt pyörimään.
4. Käytä aina puhdistustyökaluja, kuten puusauvaa tai muita kaupallisesti saatavilla olevia puhdistustyökaluja; älä käytä kättäsi.

LUMILINGON VIRRRAN MERKKIVALO

Virran merkkivalo palaa vain, kun lumilinko on käynnistetty.

VIRRRAN MERKKIVALO	MERKITYS	TOIMENPIDE
Vilkkuu vihreänä	Turvapainiketta painetaan, ja lumilinko käynnistyy ja on valmis käytettäväksi. Jokaisen asetetun akun varauksesta on jäljellä vähintään 15 %.	Ei ole
Palaa vihreänä	Lumilinko toimii kunnolla ja jokaisen asetetun akun varauksesta on jäljellä vähintään 15 %.	Ei ole

Vilkkuu punaisena	Akun varaustaso on alhainen. Lumikierukka ei pyöri, mutta LED-ajovalot palavat pienen hetken.	Pysäytä lumilinko ja lataa akku (akut).
Palaa oranssina	Lumilinko on ylikuumentunut.	Pysäytä lumilinko ja odota jonkin aikaa koneen jäähtymistä.
Vilkkuu oranssina	Lumilinko on ylikuormittunut.	Poista akku (akut). Tarkista ja poista lumi, joka on kerääntynyt lumikierukan alle tai jäänyt siihen kiinni. Hidasta työskentely-vauhtia tai pienennä lumenpoiston leveyttä, kun työskentelet.
Vilkkuu vuorotellen punaisena ja vihreänä	Tietoliikennevika.	Ota yhteys EGO-huoltokeskukseen korjausta varten.
Ei pala	Jos yhden tai molempien akkujen LED-merkkivalo vilkkuu oranssina tai palaa punaisena, akku on ylikuumentunut.	Pysäytä lumilinko ja anna akun jäähtyä.
	Muut viat: kytkin, valo jne.	Ota yhteys EGO-huoltokeskukseen korjausta varten.

FI

LUMILINGON YLIKUORMITUSSUOJAUS

Älä yritä poistaa liikaa lunta kerralla ylikuormituksen välttämiseksi. Hidasta vauhtia tai pienennä lumenpoiston leveyttä.

Lumilingossa on sisäänrakennettuja ylikuormituksen tunnistuselementtejä. Kun lumilinko ylikuormittuu, moottori hidastaa automaattisesti nopeutta ja kuulet moottorin äänitason laskevan. Ylikuormitustapauksessa hidasta vauhtia tai pienennä lumenpoistoleveyttä, minkä jälkeen

mootorin nopeus palautuu automaattisesti normaaliin asetukseensa. Jos tämä korjaustoimenpide ei ratkaise ylikuormitustilannetta, anturi sammuttaa moottorin automaattisesti ja merkkivalo vilkkuu oranssina. Irrota akku lumilingosta. Tarkista, onko lunta tai jäätä juuttunut lumikierukan ja kannen väliin, ja poista se tarvittaessa puhdistustyökalulla. Asenna akku (akut) takaisin ja käynnistä lumilinko uudelleen.

AKUN YLIKUUMENEMISSUOJAUS

Jos akun lämpötila ylittää 70 °C käytön aikana, lämpötilasuojapiiri sammuttaa lumilingon välittömästi suojatakseen akkua ylikuumentumisvaurioilta. Lumilingon virran merkkivalo sammuu ja akun LED-merkkivalo vilkkuu oranssina tai palaa punaisena. Katso lisätietoa akun LED-merkkivalosta akun käyttöoppaasta kohdasta "AKUN SUOJAUS".

Vapauta sankakytkin ja odota, kunnes ylikuumentunut akku jäähtyy (akut jäähtyvät) ja akun LED-merkkivalo palaa vihreänä, ja käynnistä sitten lumilinko uudelleen.

Akun ylikuumentumisuojaus aiheuttaman sammumisen estämiseksi älä yritä käyttää yhtä akkua lumilingon virranlähteenä, kun kertyneen lumen syvyys ylittää 76 mm tai kun lumi on hyvin märkää tai jäistä. Suosittelemme käyttämään kahta toimivaa akkua samanaikaisesti. Tämä auttaa saavuttamaan lumilingon huipputehon.

Kun korkean lämpötilan suojaus on lauennut, hidasta vauhtia ja pienennä lumenpoistoleveyttä akun kuormituksen vähentämiseksi.

KUNNOSSAPITO

VAROITUS: Varmista, että laite on sammutettu ja akku (akut) poistettu ennen kuin teet mitään huoltotoimenpiteitä lumilingolle.

YLEINEN KUNNOSSAPITO

Vältä liuotinaiden käyttöä, kun puhdistat muoviosia. Useimmat muovit ovat herkkiä vaurioitumaan erilaisista kaupallisista liuottimista ja voivat vaurioitua niiden käytöstä. Poista lika, pöly, öljy, rasva ym. puhtailla liinoilla.

KONEEN VOITELU

Kaikissa tämän tuotteen laakereissa on korkealaatuista voiteluainetta riittävästi tuotteen koko kestoäiksi normaaleissa käyttöolosuhteissa. Tästä syystä laakereiden lisävoitelua ei tarvita.

KAAVINTANGON VAIHTAMINEN

Tarvittavat työkalut (eivät sisälly):

- 8 mm:n leuka-avain
 - T20 Torx-ruuvimeisseli
1. Kaavintanko sijaitsee lumilingon kannen pohjassa, lumikierukan alapuolella (kuva F1).

F1-1	Kaavintanko
------	-------------

2. Käännä lumilinko kyljelleen (kuva F2).
3. Käytä käsiineitä. Irrota 5 mutteri-, jousialuslevy- ja pulttisarjaa ulkopuolelta ja irrota 2 Torx-ruuvia sisäpuolelta. Irrota kulunut kaavintanko (kuva F2).

F2-1	Ulkomutteri (x5)	F2-2	Torx-ruuvi (x2)
------	------------------	------	-----------------

4. Kiinnitä uusi kaavintanko 2 Torx-ruuvilla (kuva F3).

F3-1	Sisäpuolen reikä (x2)	F3-2	Kaavintanko (kiiltävä pinta sisäänpäin)
F3-3	Torx-ruuvi (x2)		

5. Aseta 5 pulttia paikalleen ja kiristä jousialuslevyillä ja muttereilla (kuvat F4 ja F5).

F5-1	Mutteri	F5-2	Jousialuslevy
F5-3	Leikkuulaite	F5-4	Kaavintanko
F5-5	Pultti		

KUMISIIPPIEN JA KUMISTEN LUMIKIERUKOIDEN VAIHTAMINEN

Kumisiipien vaihtaminen: (Kuva G1)

G1-1	Kumisiivet	G1-2	2 sarjaa pultteja ja muttereita kumpaankin siipeen (yhteensä 4 sarjaa).
------	------------	------	---

Tarvittavat työkalut (eivät sisälly):

- Talttapäinen ruuvitaltta
 - 10 mm leuka-avain
1. Käytä käsiineitä. Käännä teräksinen lumikierukka käsin sopivaan asentoon, jotta kumisiipien irrottaminen on helppoa.
 2. Irrota kaikki kiinnityspultit ja mutterit, jotta kumisiivet voidaan irrottaa.

- Vaihda ne uusiin kumisiin ja kiristä ne tiukasti.

Kumisten lumikierukoiden vaihtaminen (kuva G2)

G2-1	Kuminen lumikierukka (x4)	G2-2	1 pultti-, aluslevy- ja mutterisarja jokaiseen lumikierukkaan (yhteensä 4 sarjaa).
G2-3	2 pultti- ja mutterisarjaa jokaiseen lumikierukkaan (yhteensä 8 sarjaa).		

Tarvittavat työkalut:

- 13 mm leuka-avain (ei sisälly)
 - 5 mm kuusiokoloavain (mukana)
- Käytä käsineitä. Käännä teräksinen lumikierukka käsin sopivaan asentoon, jotta kuminen lumikierukkakokoonpano on helppo irrottaa.
 - Irrota kaikki kiinnityspultit ja mutterit, jotta voit irrottaa kumiset lumikierukat.
 - Vaihda ne uusiin kumisiin lumikierukoihin ja kiristä ne tiukasti.

LUMILINGON VARASTOINTI

- Poista akku ja säilytä turvallisessa paikassa poissa lasten ulottuvilta.

Pyyhi ennen varastointia kaikki kosteus, lika tai roskat pois akkulokerosta ja sen ympäriltä.

- Pyyhi lumilinko puhtaalla, kuivalla liinalla.
- Tarkista kaikkien muttereiden, pulttien, nappien, ruuvien ym. kireys.
- Tarkista liikkuvat osat vaurioiden, rikkoutumisten ja kulumisen varalta. Korjauta vaurioituneet osat tai puuttuvat osat.
- Taita sivukiskot varastointiasentoon.
- Säilytä lumilinkoa puhtaassa, kuivassa, suljetussa paikassa poissa lasten ulottuvilta.
- Älä säilytä sitä syövyttävien materiaalien, kuten lannoitteiden tai tiesuolan, lähellä.

SIVUKISKOJEN TAITTAMINEN

- Työnnä kourun kääntökahva kokonaan eteenpäin niin, että kouru on vasemmalle päin, jolloin se ei häiritse taittamista. Purista liipaisinta kourun ohjauslevyn kahvassa kallistaaksesi kourun kokonaan alas (kuva H1).

- Avaa molemmilla sivuilla olevat pikavapautusvivut, jotta sivukiskot taittuvat varastointiasentoon (kuva H2).

LUMILINGON NOSTAMINEN JA KANTAMINEN

- Poista akku (akut).
- Taita sivukiskot edellisessä luvussa kuvatulla tavalla.
- Nosta ja kanno laitetta tarttumalla toisella kädellä nostokahvaan ja toisella kädellä lumenottoaukon päällä olevaan nostoalueeseen (heti EGO-logon alapuolella) (kuva I).

I-1	Nostoalue	I-2	Nostokahva
-----	-----------	-----	------------

YMPÄRISTÖNSUOJELU



WEEE (Sähkö- ja elektroniikkalaiteromu)
Älä hävitä sähkölaitteita, akkulatoria tai akkuja/ladattavia paristoja kotitalousjätteen seassa! Vie tämä tuote hyväksytyyn kierrätyspaikkaan tai anna se erilliseen keräilyyn. Sähkötyökalut tulee palauttaa asianmukaiseen ympäristöystävälliseen kierrätyslaitokseen.

FI

VIANMÄÄRITYS

ONGELMA	SYY	RATKAISU
Sivukiskot eivät pysy paikallaan.	<ul style="list-style-type: none"> Sivukiskojen lukitusnuppeja ja/tai pikavapautusvipuja ei ole kiinnitetty. 	<ul style="list-style-type: none"> Varmista, että sivukiskojen lukitusnupit on kiristetty täysin ja että pikavapautusvivut ovat täysin kiinni.
Lumilinko ei käynnisty.	<ul style="list-style-type: none"> Akku voi olla tyhjä. Lumikierukassa on jäätynyttä lunta tai jäätä. Akku on ylikuumentunut. Akun LED-merkkivalo vilkkuu oranssina tai palaa punaisena (katso tämän käyttöoppaan osio "AKUN YLIKUUMENEMISSUOJAUS"). Lumilingon käynnistämiseksi on tehty vääriä toimenpiteitä. Tunnistamaton vika 	<ul style="list-style-type: none"> Lataa akku. Irrota ensin akku (akut) ja poista sitten puhdistustyökalulla lumi ja jää, jotka tukkivat lumikierukan. Asenna akut takaisin ja käynnistä lumilinko uudelleen. Irrota ylikuumentunut akku (akut) lumilingosta ja odota, että akku (akut) jäähtyy (jäähtyvät) noin 67 °C:een. Asenna akku (akut) takaisin ja käynnistä lumilinko uudelleen. (1) Paina turvapainiketta, kunnes virran merkkivalo vilkkuu vihreänä. (2) Kun painike on painettuna, vedä sankakytintä ylöspäin pääkahvaan asti. Ota yhteys EGO-huoltokeskukseen korjausta varten.
Moottori on päällä, mutta ruuvi ei pyöri.	<ul style="list-style-type: none"> Vetohihna on kulunut tai rikki. 	<ul style="list-style-type: none"> Ota yhteys EGO-huoltokeskukseen korjausta varten.
Ohituksen jälkeen lumilinko jättää maahan lumikerroksen.	<ul style="list-style-type: none"> Kaavintanko on kulunut. 	<ul style="list-style-type: none"> Vaihda kaavin tämän käyttöoppaan kohdan "KAAVINTANGON VAIHTAMINEN" mukaisesti.
Lumilinko heittää vähemmän lunta.	<ul style="list-style-type: none"> Kumisiivet ovat kuluneet. Lumikierukan nopeus voi olla liian alhainen. 	<ul style="list-style-type: none"> Vaihda kumisiivet tämän käyttöoppaan kohdan "KUMISIIPIEN VAIHTAMINEN" mukaisesti. Lisää ruuvin nopeutta
The auger fails to get traction and it requires extra effort to push the snow blower forward.	<ul style="list-style-type: none"> Kumiruuvit ovat kuluneet. 	<ul style="list-style-type: none"> Vaihda kumiset lumikierukat tämän käyttöoppaan kohdan "KUMISTEN LUMIKIERUKOIDEN VAIHTAMINEN" mukaisesti.

FI



TAKUU

EGON TAKUUEHDOT

Verkkosivustolta [egopowerplus.com](https://www.egopowerplus.com) löydät EGO:n takuukäytännön täydelliset ehdot.

FI

LES ALLE INSTRUKSJONER!**LES BRUKERHÅNDBOKEN****SIKKERHETSSYMBOL**

Bruk av hvilke som helst elektroverktøy kan føre til at fremmedlegemer blir kastet mot øynene, noe som kan gi alvorlige øyeskader. Før du begynner å bruke elektroverktøyet, skal du alltid ta på vernebriller eller vernebriller med sidebeskyttelse, og en full ansiktsskjerm der det trengs. Vi anbefaler en Wide Vision Safety Mask til bruk over briller, eller standard vernebriller med sidebeskyttelse.



Sikkerhetsvarsel



For at risikoen for personskader skal unngås må brukeren lese og forstå bruksanvisningen før produktet tas i bruk.

NO

Bruk alltid vernebriller eller vernebriller med sidebeskyttelse, og full ansiktsskjerm når du bruker dette produktet.



Ikke bruk hendene til å tette av rennen.



OBS: Ikke se direkte på lampen.



Hold føttene og hånden unna



Hold føttene unna roterende løpehjul



Garantert lydeffektivå. Støy i omgivelsene er i henhold til EUs direktiv.



Elektriske produkter skal ikke kastes sammen med husholdningsavfallet. Send til en autorisert gjenvinner.



Dette produktet er i samsvar med gjeldende EF-direktiver.



Likestrøm



Dette produktet er i samsvar med gjeldende britisk lovgivning.

IPX4 Beskyttelse mot inntrengning av vanngrad

V Volt

cm Centimeter

m Måler

kg Kilogram

SPESIFIKASJONER

Spenning	56 V	
Arbeidsbredde	520 mm	
Inntakshøyde	330 mm	
Kasteavstand	Opptil 14 m	
Hjulstørrelse	178 mm	
Anbefalt driftstemperatur	-20°C - 10°C	
Lager temperatur	-20°C - 70°C	
Vekt (uten batteripakke)	27 kg	
Målt lydeffektnivå L_{WA}	96 dB(A) K=1,8 dB(A)	
Lydtryknivå ved brukers øre L_{PA}	80 dB(A) K=4 dB(A)	
Garantert lydeffektnivå L_{WA} (målt i henhold til 2000/14/EF)	98 dB(A)	
Vibrasjonsnivå $a_{h,v}$:	Venstre håndtak	1,3 m/s ² K=1,5 m/s ²
	Høyre håndtak	1,3 m/s ² K=1,5 m/s ²

- Den deklarerte totale vibrasjonsverdien er målt i samsvar med en standard testmetode og kan brukes til å sammenligne ett verktøy med et annet;
- Den deklarerte totale vibrasjonsverdien kan også brukes i en foreløpig vurdering av eksponering.

MERKNAD: Vibrasjonsutsippet under faktisk bruk av elektroverktøyet kan avvike fra den deklarerte verdien som verktøyet brukes i; For å beskytte brukeren, bør brukeren bruke hansker og hørselsvern under de faktiske bruksforholdene.

ANBEFALT TILBEHØR

⚠ ADVARSEL: Følgende deler kan slites ut fra normal bruk. Bruk kun identiske reservedeler som er oppført nedenfor. Bruk av deler som ikke oppfyller de originale utstyrsspesifikasjonene kan føre til feil ytelse og svekket sikkerhet.

DELNAVN	MODELLNUMMER
Gummipadle og gummi- augerset	ARP2120
Skrapestang	ASS2120

BESKRIVELSE

KJENN DIN SNØFRESER (Fig. A1 – A3)

- Hovedhåndtak
- Bail Switch (bryterspåk)
- Strømindikator
- Løft håndtak
- Hurtigutløser
- Deksel til batterirom
- Hjul (x2)
- Drivremdeksel
- Boremotering
- LED-frontlykter
- Rennedeflektor
- Chute-Deflector Håndtak
3. Chute-rotasjonsåndtak
- Sekskantnøkkel
- Auger-Speed Dial
- LED-lysbryter
- Sikkerhetsknapp
- Batteriutløserknapp
- Låseknapp
- Klinke
- Utkastingsmekanisme
- Elektrisk kontakt

PAKKELISTE (FIG. A1)

MONTERING

UFOLDING AV SIDESKINNENE

- Snøfreseren din sendes med sideskinnene i sammenfoldet, låst posisjon (fig. B1).
- Åpne hurtigutløserpakene på begge sider og sving sideskinnene forsiktig oppover til de stopper (fig. B2 og B3).
- Lukk hurtigutløserpakene og stram deretter låseknotene (fig. B4).

INSTALLERING AV RØNNEN

- Bruk den medfølgende sekskantnøkkelen til å løsne og fjerne de to settene med bolter og skiver i sjaktbunnen (fig. C1).

C1-1	Rennebase
------	-----------

NO

2. Rett inn sporene på sjakten med sporet på sjaktbunnen, og skyv deretter sjakten på plass (fig. C2).

C2-1	Spor på rennen	C2-2	Spor på sjaktbunnen
------	----------------	------	---------------------

3. Bruk den medfølgende sekskantnøkkelen til å låse rennen på plass med de to settene med bolter og skiver (fig. C3).

OPERASJON

FESTE/TA UT BATTERIPAKKEN

Bruk kun med EGOs batteripakker og ladere oppført i Fig. A4.

NO

Se bruksanvisningene for tilsvarende batteripakker og ladere for mer informasjon.

Lad helt opp før første gangs bruk.

1. Løft batteriromdekelet ved å løfte fronten av dekelet (fig. D1).
2. **For å feste,** Juster batteriribbene med monteringssporene i ett og trykk batteripakken ned til du hører et "klikk". Fest det andre batteriet. (Fig. D2)
3. **For å ta av,** trykk på batteriutløserknappen og trekk ut batteripakken (fig. D3).

D3-1	Utløserknapp for batteri
------	--------------------------

4. Lukk batteridekelet.

STARTE/STOPPE SNØFRESEREN

MERKNAD: Ikke slå snøfreseren raskt av og på.

For å starte snøfreseren

1. Fest batteripakken(e) til snøfreseren og lukk batteridekelet.
2. Slå PÅ snøfreseren ved å trykke på sikkerhetsknappen.
3. Med sikkerhetsknappen trykket inn, trekk bøylebryteren oppover for å møte hovedhåndtaket (fig. E1).

E1-1	Sikkerhetsknapp	E1-2	Kausjonsbryter
------	-----------------	------	----------------

4. Når skruen starter, slipp sikkerhetsknappen og start driften (fig. E2).

5. **For å gå fremover,** løft hovedhåndtaket slik at mateskruen kommer i kontakt med bakken (fig. E3). Skrutrekket vil hjelpe til med å flytte snøfreseren fremover.

E3-1	Normal driftstilling	E3-2	Auger fremdriftsposisjon
E3-3	Mateskruemontasje i kontakt med bakken		

MERKNAD: Snøfreseren starter kanskje ikke ordentlig hvis batteritemperaturen er -20°C eller lavere. Hvis enheten ikke starter, fjern batteriet fra snøfreseren og la den varmes opp innendørs i 10 minutter eller lenger. Sett inn batteriet på nytt og prøv igjen.

For å stoppe snøfreseren

1. Slipp bøylebryteren helt (fig. E4).

E4-1	Sikkerhetsknapp (helt utløst)	E4-2	Bail-bryter (helt utløst)
------	-------------------------------	------	---------------------------

2. Den elektriske bremsen i den automatiske bremsemekanismen vil stoppe skurutasjonen etter at bøylebryteren slippes.

System med variabelt skruerastighet (fig. E5)

1. For å øke hastigheten på mateskruen, flytt skruen for hastighetsskruen bort fra operatøren.
2. For å redusere hastigheten, flytt skruens hastighetsbryter mot operatøren.

LED-frontlykter (fig. E6)

1. For å slå på hovedlysene, trykk på LED-lysbryteren. Frontlyktene gir sterkt lys foran snøfreseren.
2. For å slå av frontlysene, trykk på LED-lysbryteren igjen.

MERK: LED-frontlysene vil slå seg av automatisk når snøfreseren er inaktiv i 5 minutter for å bevare batteriladingen.

JUSTERING AV RENNE

Snøryddingsretningen kan justeres opp til 180° (fig. E7).

E7-1	Utkast-roterende håndtak	E7-2	Renne
------	--------------------------	------	-------

1. Skyv sjaktrotasjonshåndtaket forover for å rotere sjakten til venstre.
2. Trekk sjaktrotasjonshåndtaket bakover for å rotere sjakten til høyre.

Kasteavstanden til snøfreseren bestemmes delvis av stigningsvinkelen til sjaktavlederen (Fig. E8).

E8-1	Avtrekker	E8-2	Rennedeflektor
------	-----------	------	----------------

1. For å øke avstanden som snøen kastes, klem avtrekkeren på sjaktavlederhåndtaket, og løft deretter sjaktavlederen. Slipp avtrekkeren på sjaktavlederhåndtaket for å låse sjaktavlederen på plass.
2. For å redusere avstanden snøen kastes, senker du ganske enkelt deflektoren med sjaktdeflektorhåndtaket.

RENGJØRING AV FORTETTET RENNE

1. Slå av motoren og skruen!
2. Fjern batteripakken(e) fra snøfreseren.
3. Vent til skruen har sluttet å rotere.
4. Bruk alltid et rensverktøy, for eksempel en trestang eller andre ryddeverktøy som er kommersielt tilgjengelig; ikke bruk hånden.

STRØMINDIKATOR PÅ SNØFRESEREN

Strømindikatorene vil kun lyse når snøfreseren startes.

STRØMINDIKATOR	BETYDNING	HANDLING
Bliker grønt	Sikkerhetsknappen er trykket inn og snøfreseren er slått på og klar til å jobbe. Hver innsatt batteripakke har minst 15 % av ladningen.	n/a
Skinnende grønt	Snøfreseren fungerer som den skal, og hvert batteri har minst 15 % av ladningen.	n/a
Bliker rødt	Ladenivået for batteripakken(e) er lavt. Skruen går ikke rundt, men LED-frontlysene kan være på en kort stund.	Stopp snøfreseren og lad batteripakken(e).

Skinnende oransje	Snøfreseren er overopphetet.	Stopp snøfreseren og vent en stund til å avkjøle maskinen.
Bliker oransje	Snøfreseren er overbelastet.	Fjern batteripakken(e). Kontroller og fjern snø som har samlet seg under eller sitter fast i skruen. Senk tempoet eller reduser bredden på snøryddingsstregen når du arbeider.
Bliker rødt og grønt vekselvis	Kommunikasjonsfeil.	Kontakt EGO servicesenter for reparasjon.
Ingen indikasjon	Hvis LED-indikatoren på en eller begge batteripakkene blinker oransje eller lyser rødt, er batteripakken(e) overopphetet.	Stopp snøfreseren og la batteripakken avkjøles.
	Andre feil: bryter, lys, etc.	Kontakt EGO servicesenter for reparasjon.

NO

OVERBELASTNINGSBESKYTTELSE FOR SNØFRESEREN

For å forhindre overbelastning, ikke prøv å fjerne for mye snø på en gang. Senk tempoet eller reduser bredden på snøryddingsstregen.

Snøfreseren din har innebygd overbelastningssensorer. Når snøfreseren er overbelastet, vil motoren redusere hastigheten automatisk og du vil høre at støynivået til motoren reduseres. Ved overbelastning reduserer du tempoet eller begrenser ryddebredden, hvorefter motorhastigheten vil gjenoppta sin normale innstilling automatisk. Hvis dette middelet ikke løser overbelastningssituasjonen, vil sensoren slå av motoren automatisk og strømindikatorene vil blinke oransje. Fjern batteripakken(e) fra snøfreseren. Sjekk om det er snø eller is fast i skruen og dekket, og bruk et rensverktøy for å fjerne dem etter behov. Sett inn batteripakken(e) igjen og start snøfreseren på nytt.

BATTERI HØYTEMPERATURBESKYTTELSE

Hvis batteritemperaturen overstiger 70°C under drift, vil temperaturbeskyttelseskreten umiddelbart slå av snøfreseren for å beskytte batteripakkene mot overopphetingskader. Strømindikatoren på snøfreseren vil være av og LED-indikatoren på batteripakken vil blinke oransje eller skinne rødt. Vennligst se avsnittet "BATTERIBESKYTTELSE" i batteribrukerhåndboken for mer om LED-indikatoren på batteripakken.

Slipp bøylebryteren og vent til den(e) overopphetede batteripakke(n) avkjøles og lyset på batteri-LED-indikatoren blir grønt, start deretter snøfreseren på nytt.

For å unngå avstengning på grunn av batteribeskyttelse mot høye temperaturer, ikke prøv å bruke ett enkelt batteri til å drive snøfreseren når dybden på den akkumulerte snøen overstiger 76 mm eller når snøen er veldig våt eller isete. Vi anbefaler bruk av to batterier som fungerer samtidig. Dette er nyttig for å oppnå toppkraften til snøfreseren.

Etter at det har oppstått beskyttelse mot høye temperaturer, senker du tempoet og begrenser bredden på snøryddingsstrengen for å redusere belastningen på batteriet.

VEDLIKEHOLD

⚠ ADVARSEL: Sørg for å slå av enheten og ta ut batteripakke(n) før du utfører vedlikeholdsoppgaver på snøfreseren.

GENERELT VEDLIKEHOLD

Unngå bruk av løsemidler når plastdeler skal rengjøres. De fleste plasttyper kan ta skade av ulike typer løsemidler som er i salg, og kan dermed bli ødelagt. Bruk rene kluter til å fjerne smuss, støv, olje, fett osv.

SMØRING AV MASKINEN

Alle lagrene i dette produktet er smurt med en mengde høykvalitets smøremiddel som er tilstrekkelig for enhetens levetid under normale driftsforhold. Derfor er det ikke nødvendig med ytterligere lagersmøring.

BYTTE AV SKRAPEBÅREN

Nødvendig verktøy (ikke inkludert):

- 8 mm fastnøkkel
- T20 Torx skrutrekker

1. Skrapestangen er plassert i bunnen av snøfreserdekke, under skruen (fig. F1).

F1-1	Skrapestang
------	-------------

2. Snu snøfreseren på siden (fig. F2).
3. Ha på hansker. Fjern de 5 settene med muttere, fjærskiver og bolter fra utsiden og fjern de 2 Torx-skruene fra innsiden. Løsne den slitte skrapestangen (fig. F2).

F2-1	Utvendig mutter (x5)	F2-2	Torx skruer (x2)
------	----------------------	------	------------------

4. Fest den nye skrapestangen og sett inn de 2 Torx-skruene (fig. F3).

F3-1	Innvendig hull (x2)	F3-2	Skrapestang (skin-nende overflate vendt innover)
F3-3	Torx skruer (x2)		

5. Sett inn de 5 boltene og stram til med fjærskiver og muttere (fig. F4 og F5).

F5-1	Nøtt	F5-2	Fjærskive
F5-3	Dekk	F5-4	Skrapestang
F5-5	Bolt		

BYTTE UT GUMMISPÅLENE OG GUMMISNELLENE

Slik bytter du gummipålene: (Fig. G1)

G1-1	Gummiårer	G1-2	2 sett med bolter og muttere på hver åre (totalt 4 sett)
------	-----------	------	--

Nødvendig verktøy (ikke inkludert):

- Flat skrutrekker
- 10 mm fastnøkkel

1. Ha på hansker. Roter stålskruen manuelt til riktig posisjon for enkel demontering av gummipåle.
2. Fjern alle festebolter og muttere for å ta ut gummipålene.
3. Bytt dem ut med de nye gummipålene, og stram dem godt.

For å skifte ut gummiskruene (fig. G2)

G2-1	Gummiskruer (x4)	G2-2	1 sett med bolt, skive og mutter på hver mateskruer (totalt 4 sett)
------	------------------	------	---

G2-3	2 sett med bolter og muttere på hver mateskrue (totalt 8 sett)
------	--

med én hånd og løfteområdet, på toppen av snøinntaket (rett under EGO-logoen), med den andre hånden (fig. I).

Nødvendig verktøy:

- 13 mm fastnøkkel (ikke inkludert)
 - 5 mm sekskantnøkkel (inkludert)
1. Ha på hansker. Roter stålskruen manuelt til riktig posisjon for enkel demontering av gummiskruen.
 2. Fjern alle festebolter og muttere for å ta ut gummiskruene.
 3. Bytt dem ut med de nye gummiskruene, og stram dem godt.

OPPBEVARING AV SNØFRESEREN

- Ta ut batteripakken(e) og oppbevar på et sikkert sted utilgjengelig for barn.

Før oppbevaring, tørk av fuktighet, smuss eller rusk fra og rundt batterirommet.

- Tørk av snøfreseren med en ren, tørr klut.
- Kontroller alle muttere, bolter, knotter, skruer osv. for stramhet.
- Inspiser bevegelige deler for skader, brudd og slitasje. La reparasjoner utføres på ødelagte eller manglende deler.
- Brett sideskinnene til lagringsposisjonen.
- Oppbevar snøfreseren på et rent, tørt, lukket sted utilgjengelig for barn.
- Oppbevar ikke i nærheten etsende materialer som gjødsel eller steinsalt.

FOLDING SIDESKINNENE

1. Skyv sjaktrotasjonshåndtaket helt frem slik at sjakten vender mot venstre, noe som vil sikre at det ikke forårsaker forstyrrelser ved sammenlegging. Klem utløseren på sjaktavlederhåndtaket for å vippe det helt ned (fig. H1).
2. Åpne hurtigutløserpakene på begge sider for å folde sideskinnene til oppbevaringsposisjon (fig. H2).

LØFTE OG BÆRE SNØFRESEREN

1. Fjern batteripakken(e).
2. Brett sideskinnene som beskrevet i forrige kapittel.
3. Løft og bær enheten ved å ta tak i løftehåndtaket

I-1	Heis område	I-2	Løft håndtaket
-----	-------------	-----	----------------

BESKYTTE MILJØET



WEEE (Waste Electrical and Electronic Equipment) Ikke kast elektrisk utstyr, brukt batteri og lader i husholdningsavfallet! Ta dette produktet til en autorisert gjenvinner og gjør det tilgjengelig for separat innsamling. Elektriske verktøy må returneres til et miljøvennlig gjenvinningssanlegg.

NO

FEILSØKING

PROBLEM	ÅRSAK	LØSNING
Sideskinner forblir ikke på plass.	<ul style="list-style-type: none"> ■ Låseknotter på sideskinnene og/eller hurtigtutløerspakene er ikke sikret. 	<ul style="list-style-type: none"> ■ Pass på at låseknottene på sideskinnene er helt strammet og hurtigtutløerspakene er helt lukket.
<p>NO</p> <p>Snøfreseren starter ikke.</p>	<ul style="list-style-type: none"> ■ Batteriladingen er lav. ■ Skruen er frosset av snø eller is. ■ Batteripakken er overopphetet. LED-indikatoren på batteripakken(e) blinker oransje eller lyser rødt (se avsnittet "BATTERI HØYTEMPERATURBESKYTTELSE" i denne håndboken.) ■ Feil trinn utført for å slå på snøfreseren. ■ Uidentifisert feil 	<ul style="list-style-type: none"> ■ Lade batteriet. ■ Fjern batteripakken(e) først, og bruk deretter et renseverktøy for å fjerne snøen eller isen som hindrer skruen. Sett inn batteripakkene igjen og start snøfreseren på nytt. ■ Fjern den/de overopphetede batteripakken(e) fra snøfreseren og vent til batteripakken(e) er avkjølt til ca. 67°C. Sett inn batteripakken(e) igjen og start snøfreseren på nytt. ■ (1) Trykk på sikkerhetsknappen til strømindikatoren blinker grønt. (2) Med knappen trykket inn, trekk bøylebryteren oppover for å møte hovedhåndtaket. ■ Kontakt EGO servicesenter for reparasjon.
Motoren er på, men skruen går ikke.	<ul style="list-style-type: none"> ■ Drivremmen er slitt eller ødelagt. 	<ul style="list-style-type: none"> ■ Kontakt EGO servicesenter for reparasjon.
Etter passering legger snøfreseren et lag med snø på bakken.	<ul style="list-style-type: none"> ■ Skrapestangen er slitt. 	<ul style="list-style-type: none"> ■ Skift ut skrapen ved å følge avsnittet "SKIFTING AV SKRAPERBAREN" i denne håndboken.
Snøfreseren kaster mindre snø.	<ul style="list-style-type: none"> ■ Gummiårene er slitte. ■ Skruhastigheten kan være for lav. 	<ul style="list-style-type: none"> ■ Skift ut gummispadene ved å følge avsnittet "SKIFTNING AV GUMMISKÅLENE" i denne håndboken. ■ Øk skruhastigheten
The auger fails to get traction and it requires extra effort to push the snow blower forward.	<ul style="list-style-type: none"> ■ Gummiskruene er slitt. 	<ul style="list-style-type: none"> ■ Skift ut gummiskruene ved å følge avsnittet "SKIFTNING AV GUMMI-AUGER" i denne håndboken.



GARANTI

EGO GARANTIPOLITIKK

Besøk nettstedet egopowerplus.com for fullstendige vilkår og betingelser for EGO-garantipolicyen.

NO

ПРОЧИТАЙТЕ ВСЕ ИНСТРУКЦИИ!**ПРОЧИТАЙТЕ РУКОВОДСТВО
ПОЛЬЗОВАТЕЛЯ****СИМВОЛЫ БЕЗОПАСНОСТИ**

В результате работы электроинструмента в глаза могут попасть посторонние предметы, что приведет к серьезному повреждению глаз. Перед началом использования электроинструмента всегда надевайте защитную маску или защитные очки с боковыми щитками и полнопрофильную защитную маску (при необходимости). Поверх очков или стандартных защитных очков рекомендуется надевать безопасную маску с широким обзором.

**Предупреждение об опасности**

Чтобы уменьшить риск получения травм, перед использованием устройства необходимо прочитать и понять руководство по эксплуатации.

RU

При работе с данным устройством всегда используйте защиту для глаз или защитные очки с боковыми щитками и полнопрофильную защитную маску.



Не очищайте желоб руками.



ВНИМАНИЕ! Не смотрите непосредственно на включенную лампу.



Держите ноги и руки подальше.



Держите ноги подальше от вращающихся частей.



Гарантированный уровень звуковой мощности. Уровень шума в окружающей среде в соответствии с директивой ЕС.



Неисправные электрические устройства нельзя выбрасывать вместе с бытовым мусором. Сдавайте их в авторизованные пункты сбора и утилизации.



Соответствует основным требованиям стандартов безопасности Европейских директив.



Постоянный ток



Данное изделие соответствует действующему законодательству Великобритании.

IPX4 Степень защиты от воздействия воды

V Вольт

см Сантиметры

m Метр

кг Килограммы

ТЕХНИЧЕСКИЕ ХАРАКТЕРИСТИКИ

Напряжение	56 В	
Ширина полосы очистки	520 мм	
Входная высота	330 мм	
Расстояние выброса	До 14 м	
Размер колеса	178 мм	
Рекомендуемая рабочая температура	От -20 до +10°C	
Температура хранения	От -20 до +70°C	
Масса (без аккумулятора)	27 кг	
Измеренный уровень звуковой мощности L_{WA}	96 дБ (А) K = 1,8 дБ (А)	
Уровень звукового давления на уши оператора L_{PA}	80 дБ (А) K = 4 дБ (А)	
Гарантированный уровень звуковой мощности L_{WA} (измерен в соответствии с 2000/14/ЕС)	98 дБ (А)	
Значение вибрации a_h	Левая рукоятка	1,3 м/с ² K=1,5 м/с ²
	Правая рукоятка	1,3 м/с ² K=1,5 м/с ²

- Указанное общее значение вибрации было определено с помощью стандартного теста и может быть использовано для сравнения разных инструментов.
- Указанное общее значение вибрации также может использоваться для предварительной оценки уровня воздействия.

ПРИМЕЧАНИЕ. Реальное вибрационное воздействие электронинструмента может отличаться от указанного в зависимости от способа использования. В целях безопасности оператор должен надевать перчатки и средства защиты органов слуха во время использования устройства.

РЕКОМЕНДУЕМЫЕ ПРИНАДЛЕЖНОСТИ

ПРЕДУПРЕЖДЕНИЕ. Следующие детали могут изнашиваться при нормальном использовании. Используйте только идентичные запасные части,

приведенные в списке ниже. Использование деталей с другими характеристиками может привести к снижению эффективности работы и безопасности устройства.

НАЗВАНИЕ ДЕТАЛИ	НОМЕР МОДЕЛИ
Комплект резиновых лопастей и резиновых шнеков	ARP2120
Штанга скребка	ASS2120

ОПИСАНИЕ

ЧАСТИ СНЕГООЧИСТИТЕЛЯ (Рис. А1–А3)

1. Основная рукоятка
2. Дуговой переключатель (рукоятка управления)
3. Индикатор питания
4. Рукоятка для транспортировки
5. Быстроразъемный рычаг
6. Крышка аккумуляторного отсека
7. Колесо (2 шт.)
8. Крышка приводного ремня
9. Шнек в сборе
10. Светодиодные фары
11. Направляющая горловина желоба
12. Ручка направляющей горловины желоба
13. Ручка вращения желоба
14. Шестигранный ключ
15. Регулятор скорости шнека
16. Переключатель светодиодных фар
17. Предохранительная кнопка
18. Кнопка фиксации аккумулятора
19. Фиксатор
20. Защелка
21. Выталкивающий механизм
22. Электрический контакт

RU

КОМПЛЕКТ ПОСТАВКИ (РИС. А1)

СБОРКА

РАЗВОРАЧИВАНИЕ БОКОВЫХ ШТАНГ

1. Снегоочиститель поставляется с боковыми штангами в сложенном и заблокированном положении (Рис. В1).
2. Откройте быстроразъемные рычаги с обеих сторон и плавно поверните боковые штанги вверх до упора (Рис. В2 и В3).
3. Закройте быстроразъемные рычаги, а затем затяните фиксаторы (Рис. В4).

УСТАНОВКА ЖЕЛОБА

1. Используйте прилагаемый шестигранный ключ, чтобы ослабить и снять два комплекта болтов и шайб в основании желоба (Рис. С1).

C1-1	Основание желоба
------	------------------

2. Совместите пазы желоба с прорезью на основании желоба, а затем вставьте желоб на место (Рис. С2).

C2-1	Паз желоба	C2-2	Прорезь на основании желоба
------	------------	------	-----------------------------

3. Используйте прилагаемый шестигранный ключ, чтобы зафиксировать желоб на месте с помощью двух комплектов болтов и шайб (Рис. С3).

ИСПОЛЬЗОВАНИЕ

УСТАНОВКА И СНЯТИЕ АККУМУЛЯТОРА

Используйте только аккумуляторы и зарядные устройства EGO, указанные на Рис. А4.

Подробнее см. в соответствующих руководствах по эксплуатации аккумулятора и зарядного устройства.

Перед первым использованием полностью зарядите аккумулятор.

1. Поднимите крышку аккумуляторного отсека за переднюю часть (Рис. D1).
2. **Установка:** совместите ребра аккумулятора с крепежными отверстиями и вставьте аккумулятор до щелчка. Установите второй аккумулятор (Рис. D2).
3. **Снятие:** нажмите кнопку фиксации аккумулятора и извлеките аккумулятор (Рис. D3).

D3-1	Кнопка фиксации аккумулятора
------	------------------------------

4. Закройте крышку аккумуляторного отсека.

ВКЛЮЧЕНИЕ И ВЫКЛЮЧЕНИЕ СНЕГООЧИСТИТЕЛЯ

ПРИМЕЧАНИЕ. Не включайте снегоочиститель сразу после выключения.

Включение снегоочистителя

1. Установите аккумулятор(-ы) в снегоочиститель и закройте крышку аккумуляторного отсека.
2. Включите снегоочиститель с помощью предохранительной кнопки.
3. Удерживая кнопку нажатой, потяните дуговой переключатель вверх по направлению к основной рукоятке (Рис. E1).

E1-1	Предохранительная кнопка	E1-2	Дуговой переключатель
------	--------------------------	------	-----------------------

4. После запуска шнека отпустите предохранительную кнопку и приступайте к работе (Рис. E2).
5. **Для продвижения вперед** поднимите основную рукоятку, чтобы узел шнека соприкасался с землей (Рис. E3). Тяговое усилие шнека поможет перемещать снегоочиститель вперед.

E3-1	Нормальное рабочее положение	E3-2	Положение с приводом от шнека
E3-3	Шнековый узел, контактирующий с землей		

ПРИМЕЧАНИЕ. Снегоочиститель может не запуститься должным образом, если температура аккумулятора ниже -20°C . Если устройство не запускается, извлеките из него аккумулятор и дайте ему согреться в помещении не менее 10 минут. Установите аккумулятор на место и повторите попытку.

Выключение снегоочистителя

1. Полностью отпустите дуговой переключатель (Рис. E4).

E4-1	Предохранительная кнопка (полностью опущена)	E4-2	Дуговой переключатель (полностью опущен)
------	--	------	--

2. Электрический тормоз автоматического тормозного механизма остановит вращение шнека после отпускания дугового переключателя.

Система регулировки скорости шнека (Рис. E5).

1. Чтобы увеличить скорость шнека, переместите

регулятор скорости шнека в сторону от оператора.

2. Чтобы снизить скорость, переместите регулятор скорости шнека в сторону оператора.

Светодиодные фары (Рис. Е6)

1. Чтобы включить фары, нажмите переключатель светодиодных фар. Фары обеспечивают яркий свет перед снегоочистителем.
2. Чтобы выключить фары, снова нажмите переключатель светодиодных фар.

ПРИМЕЧАНИЕ. Для экономии заряда аккумулятора светодиодные фары автоматически выключаются, если снегоочиститель не работает в течение 5 минут.

РЕГУЛИРОВКА ЖЕЛОБА

Направление выброса снега можно регулировать в пределах 180° (Рис. Е7).

E7-1	Ручка вращения желоба	E7-2	Желоб
------	-----------------------	------	-------

1. Нажмите ручку вращения желоба вперед, чтобы повернуть желоб влево.
2. Потяните ручку вращения желоба назад, чтобы повернуть желоб вправо.

Расстояние выброса снегоочистителя частично определяется углом наклона направляющей горловины желоба (Рис. Е8).

E8-1	Курок	E8-2	Направляющая горловина желоба
------	-------	------	-------------------------------

1. Чтобы увеличить расстояние выброса снега, нажмите на курок на ручке направляющей горловины желоба, а затем поднимите направляющую горловину желоба. Отпустите курок на ручке направляющей горловины желоба, чтобы зафиксировать направляющую горловину желоба на месте.
2. Чтобы уменьшить расстояние выброса снега, просто опустите направляющую горловину желоба с помощью ручки.

ОЧИСТКА ЗАСОРВШЕГОСЯ ЖЕЛОБА

1. Выключите двигатель!
2. Извлеките аккумулятор(-ы) из снегоочистителя.
3. Подождите, пока шнек перестанет вращаться.
4. Всегда используйте инструмент для чистки, например деревянный стержень или другие средства, доступные в продаже. Не очищайте руками.

ИНДИКАТОР ПИТАНИЯ НА СНЕГООЧИСТИТЕЛЕ

Индикатор питания светится только при включенном снегоочистителе.

ИНДИКАТОР ПИТАНИЯ	ЗНАЧЕНИЕ	ДЕЙСТВИЕ
Мигает зеленым	Предохранительная кнопка нажата, снегоочиститель включен и готов к работе. Заряд каждого установленного аккумулятора составляет не менее 15 %.	—
Светится зеленым	Снегоочиститель работает нормально, заряд каждого аккумулятора не менее 15 %.	—
Мигает красным	Низкий уровень заряда аккумуляторов. Шнек не включается, но светодиодные фары могут быть ненадолго включены.	Остановите снегоочиститель и зарядите аккумулятор(-ы).
Светится оранжевым	Снегоочиститель перегрелся.	Остановите снегоочиститель и подождите некоторое время, чтобы он остыл.
Мигает оранжевым	Снегоочиститель перегружен.	Извлеките аккумулятор(-ы). Удалите снег, который скопился под шнеком или застрял в нем. Замедлите темп или уменьшите ширину полосы для чистки снега.

RU

Попеременно мигает красным и зеленым	Ошибка связи.	Обратитесь в сервисный центр EGO для ремонта.
Не светится	Если светодиодный индикатор на одном или обоих аккумуляторах мигает оранжевым или светится красным, это означает, что аккумулятор перегрелся.	Остановите снегоочиститель и дайте аккумулятору остыть.
	Другие неисправности: выключатель, свет и т. д.	Обратитесь в сервисный центр EGO для ремонта.

RU

ЗАЩИТА СНЕГООЧИСТИТЕЛЯ ОТ ПЕРЕГРУЗКИ

Для защиты устройства от перегрузки старайтесь не убирать очень много снега за один проход. Замедлите темп или уменьшите ширину полосы для чистки снега.

Данный снегоочиститель оснащен датчиками для распознавания перегрева. В случае перегрузки снегоочистителя двигатель автоматически снижает скорость, что будет заметно по уменьшению уровня шума от его работы. В случае перегрузки снизьте темп или уменьшите ширину полосы очистки. Через некоторое время скорость двигателя автоматически вернется к нормальной. Если эти действия не решат проблему перегрузки, датчик автоматически отключит двигатель, а индикатор питания будет мигать оранжевым. Извлеките аккумулятор(-ы) из снегоочистителя. Проверьте, не застрял ли снег или лед в шнеке и платформе, и при необходимости используйте инструмент для очистки. Установите на место аккумулятор(-ы) и заново запустите снегоочиститель.

ЗАЩИТА АККУМУЛЯТОРА ОТ ПЕРЕГРЕВА

Если во время работы температура аккумулятора превышает 70 °С, система защиты немедленно отключает снегоочиститель, чтобы защитить аккумулятор от повреждения. Индикатор питания на снегоочистителе будет выключен, а светодиодный индикатор на аккумуляторной батарее будет мигать оранжевым или светиться красным. Дополнительные сведения о светодиодном индикаторе на аккумуляторной батарее см. в разделе **ЗАЩИТА**

АККУМУЛЯТОРА в руководстве по эксплуатации аккумулятора.

Отпустите дуговой переключатель и подождите, пока перегретые аккумуляторы остынут и светодиодный индикатор начнет светиться зеленым, затем перезапустите снегоочиститель.

Чтобы предотвратить отключение из-за защиты аккумулятора от перегрева, не используйте один аккумулятор для питания снегоочистителя, когда глубина скопившегося снега превышает 76 мм или когда снег очень мокрый или обледенелый. Рекомендуется использовать два одновременно работающих аккумулятора. Это помогает достичь максимальной мощности снегоочистителя.

После срабатывания защиты от перегрева снизьте темп и уменьшите ширину полосы для чистки снега, чтобы снизить нагрузку на аккумулятор.

ОБСЛУЖИВАНИЕ

⚠ ПРЕДУПРЕЖДЕНИЕ. Прежде чем выполнять техническое обслуживание снегоочистителя, выключите устройство и извлеките аккумулятор(-ы).

ОБЩЕЕ ОБСЛУЖИВАНИЕ

Не используйте растворители для очистки пластиковых частей. Большинство пластиковых частей чувствительны к различным бытовым растворителям и могут быть повреждены. Для очистки от грязи, пыли, масла, смазки и т. п. используйте чистую ткань.

СМАЗКА УСТРОЙСТВА

Все подшипники в данном устройстве смазаны высококачественным смазочным материалом в количестве, достаточном для срока службы в условиях нормальной эксплуатации. Поэтому дополнительная смазка подшипников не требуется.

ЗАМЕНА ШТАНГИ СКРЕБКА

Необходимые инструменты (не входят в комплект):

- рожковый гаечный ключ 8 мм;
- отвертка Torx T20.

1. Штанга скребка расположена в нижней части платформы снегоочистителя под шнеком (Рис. F1).

F1-1	Штанга скребка
------	----------------

2. Положите снегоочиститель на бок (Рис. F2).
3. Наденьте перчатки. Открутите 5 комплектов гаек, пружинных шайб и болтов снаружи и 2 винта Torx изнутри. Отсоедините изношенную штангу скребка (Рис. F2).

F2-1	Наружная гайка (5 шт.)	F2-2	Винт Torx (2 шт.)
------	------------------------	------	-------------------

4. Прикрепите новую штангу скребка и вставьте 2 винта Torx (Рис. F3).

F3-1	Внутреннее отверстие (2 шт.)	F3-2	Штанга скребка (блестящая поверхность обращена внутрь)
F3-3	Torx screw (x2)		Винт Torx (2 шт.)

5. Вставьте 5 болтов и затяните пружинными шайбами и гайками (Рис. F4 и F5).

F5-1	Гайка	F5-2	Пружинная шайба
F5-3	Дека	F5-4	Штанга скребка
F5-5	Болт		

ЗАМЕНА РЕЗИНОВЫХ ЛОПАСТЕЙ И РЕЗИНОВЫХ ШНЕКОВ

Замена резиновых лопастей (Рис. G1)

G1-1	Резиновые лопасти	G1-2	2 комплекта болтов и гаек на каждой лопасти (всего 4 комплекта)
------	-------------------	------	---

Необходимые инструменты (не входят в комплект):

- шлицевая отвертка;
 - рожковый гаечный ключ 10 мм.
1. Наденьте перчатки. Вручную поверните стальной шнек в нужное положение, чтобы можно было легко разобрать резиновую лопасть.
 2. Открутите все крепежные болты и гайки, чтобы извлечь резиновые лопасти.
 3. Замените их новыми резиновыми лопастями и надежно затяните.

Замена резиновых шнеков (Рис. G2)

G2-1	Резиновый шнек (4 шт.)	G2-2	1 комплект болтов, шайб и гаек на каждом шнеке (всего 4 комплекта)
------	------------------------	------	--

G2-3	2 комплекта болтов и гаек на каждом шнеке (всего 8 комплектов)
------	--

Необходимые инструменты:

- рожковый гаечный ключ 13 мм (не входит в комплект);
 - шестигранный ключ 5 мм (входит в комплект).
1. Наденьте перчатки. Вручную поверните стальной шнек в нужное положение, чтобы можно было легко разобрать резиновый шнек.
 2. Открутите все крепежные болты и гайки, чтобы извлечь резиновые шнеки.
 3. Замените их новыми резиновыми шнеками и надежно затяните.

ХРАНЕНИЕ СНЕГООЧИСТИТЕЛЯ

- Извлеките аккумулятор(-ы) и уберите на хранение в надежное место, недоступное для детей.

RU

Перед уборкой на хранение протрите область вокруг аккумуляторного отсека от влаги, грязи и мусора.

- Протрите снегоочиститель чистой сухой тканью.
- Убедитесь, что все гайки, болты, фиксаторы и винты надежно затянуты.
- Проверьте движущиеся части на предмет повреждений, поломок и износа. Отремонтируйте все поврежденные части и установите на место утерянные.
- Сложите боковые штанги в положение хранения.
- Храните снегоочиститель в чистом сухом закрытом месте, недоступном для детей.
- Не храните устройство рядом с веществами, вызывающими коррозию, такими как удобрения или каменная соль.

СКЛАДЫВАНИЕ БОКОВЫХ ШТАНГ

1. Нажмите ручку вращения желоба до упора вперед так, чтобы желоб был обращен влево, что позволит избежать помех при складывании. Нажмите на курок на ручке направляющей горловины желоба, чтобы полностью наклонить его вниз (Рис. H1).
2. Откройте быстроразъемные рычаги с обеих сторон, чтобы сложить боковые штанги в положение хранения (Рис. H2).

ПОДЪЕМ И ТРАНСПОРТИРОВКА СНЕГООЧИСТИТЕЛЯ

1. Извлеките аккумулятор(-ы).
2. Сложите боковые штанги, как описано в предыдущем разделе.
3. Поднимайте и переносите устройство, взявшись одной рукой за рукоятку для транспортировки, а другой рукой за область подъема, расположенную над снегоприемником (прямо под логотипом EGO) (Рис. 1).

I-1	Область подъема	I-2	Рукоятка для транспортировки
-----	-----------------	-----	------------------------------

ОХРАНА ОКРУЖАЮЩЕЙ СРЕДЫ



RU

Утилизация отходов электрического и электронного оборудования (WEEE). Не выбрасывайте электроприборы, зарядные устройства и аккумуляторные батареи вместе с бытовыми отходами!

Отправьте данное изделие на переработку в специализированное предприятие или сдайте его для раздельного сбора.

Электроинструменты должны быть возвращены на перерабатывающее предприятие, не наносящее ущерба окружающей среде.

УСТРАНЕНИЕ НЕПОЛАДOK

ПРОБЛЕМА	ПРИЧИНА	РЕШЕНИЕ
Боковые штанги не держатся на месте.	<ul style="list-style-type: none"> ■ Фиксаторы на боковых штангах и (или) быстроразъемные рычаги не закреплены. 	<ul style="list-style-type: none"> ■ Убедитесь, что фиксаторы на боковых штангах полностью затянуты, а быстроразъемные рычаги полностью закрыты.
Снегоочиститель не запускается.	<ul style="list-style-type: none"> ■ Низкий уровень заряда аккумулятора. ■ На шнеке накопился снег или лед. ■ Перегрев аккумулятора. Светодиодный индикатор на аккумуляторе(-ах) мигает оранжевым или светится красным (см. раздел ЗАЩИТА АККУМУЛЯТОРА ОТ ПЕРЕГРЕВА в данном руководстве). ■ Неправильные действия при включении снегоочистителя. ■ Неизвестная неисправность. 	<ul style="list-style-type: none"> ■ Зарядите аккумулятор. ■ Извлеките аккумулятор(-ы) и используйте инструмент для очистки желоба, чтобы удалить снег и лед, которые мешают вращению шнека. Установите на место аккумулятор(-ы) и заново запустите снегоочиститель. ■ Извлеките перегретые аккумуляторы из снегоочистителя и подождите, пока они остынут примерно до 67 °С. Установите на место аккумулятор(-ы) и заново запустите снегоочиститель. ■ (1) Нажимайте предохранительную кнопку, пока индикатор питания не начнет мигать зеленым. (2) Удерживая кнопку нажатой, потяните дуговой переключатель вверх направлению к основной рукоятке. ■ Обратитесь в сервисный центр EGO для ремонта.
Двигатель включен, но шнек не вращается.	<ul style="list-style-type: none"> ■ Приводной ремень изношен или поврежден. 	<ul style="list-style-type: none"> ■ Обратитесь в сервисный центр EGO для ремонта.
После проезда снегоочиститель оставляет слой снега на земле.	<ul style="list-style-type: none"> ■ Изношена штанга скребка. 	<ul style="list-style-type: none"> ■ Замените скребок в соответствии с инструкциями в разделе ЗАМЕНА ШТАНГИ СКРЕБКА данного руководства.
Снегоочиститель выбрасывает меньше снега.	<ul style="list-style-type: none"> ■ Изношены резиновые лопасти. ■ Слишком низкая скорость шнека. 	<ul style="list-style-type: none"> ■ Замените резиновые лопасти в соответствии с инструкциями в разделе ЗАМЕНА РЕЗИНОВЫХ ЛОПАСТЕЙ данного руководства. ■ Увеличьте скорость шнека.

RU



ПРОБЛЕМА	ПРИЧИНА	РЕШЕНИЕ
Šnek nemá trakci a je třeba vynaložit větší úsilí, aby se sněhová fréza posunula vpřed.	<ul style="list-style-type: none">■ Изношены резиновые шнеки.	<ul style="list-style-type: none">■ Замените резиновые шнеки в соответствии с инструкциями в разделе ЗАМЕНА РЕЗИНОВЫХ ШНЕКОВ данного руководства.

ГАРАНТИЯ

ГАРАНТИЙНАЯ ПОЛИТИКА EGO

Посетите веб-сайт egopowerplus.com, чтобы ознакомиться со всеми условиями и сроками гарантийной политики EGO.

RU

PRZECZYTAJ WSZYSTKIE INSTRUKCJE!



PRZECZYTAJ INSTRUKCJĘ OBSŁUGI

SYMBOL BEZPIECZEŃSTWA

Praca elektronarzędziami może spowodować wyrzucenie ciał obcych w oczy użytkownika, co może doprowadzić do poważnych urazów oczu. Przed rozpoczęciem pracy elektronarzędziem należy zawsze założyć gogle ochronne lub okulary z osłonami bocznymi, a w stosownych przypadkach także pełną osłonę na twarz. Zalecamy nakładanie na zwykłe okulary maski zabezpieczającej o szerokim polu widzenia lub stosowanie standardowych okularów zabezpieczających z osłonami bocznymi.



Ostrzeżenie dotyczące bezpieczeństwa



Aby zmniejszyć ryzyko urazów, przed rozpoczęciem używania urządzenia, użytkownik musi przeczytać i zrozumieć instrukcję.



Podczas używania produktu należy zawsze nosić gogle ochronne lub okulary ochronne z osłonami bocznymi, a także pełną osłonę na twarz.



Nie używaj dłoni do przetykania kominą wyrzutowego.

PL



OSTROŻNIE: Nie należy wpatrywać się we włączoną lampę.



Nie zbliżaj stóp i dłoni



Trzymaj stopy z dala od obracającego się wirnika



Gwarantowany poziom mocy akustycznej. Emisja hałasu do środowiska zgodnie z dyrektywą Wspólnoty Europejskiej.



Zużytych wyrobów elektrycznych nie należy wyrzucać razem ze zwykłymi odpadami domowymi. Należy je oddać do autoryzowanego punktu recyklingu.



Ten produkt jest zgodny z obowiązującymi dyrektywami WE.



Prąd stały



Produkt jest zgodny z dyrektywami obowiązującymi w Wielkiej Brytanii.

IPX4

Stopień ochrony przed dostawianiem się wody do środka

V

Wolt

cm

Centymetry

m

Metr

kg

Kilogram

SPECYFIKACJA

Napięcie	56 B	
Szerokość odśnieżania	520 mm	
Wysokość pobierania	330 mm	
Odległość wyrzutu	Do 14 m	
Rozmiar koła	178 mm	
Zalecana temperatura użytkowania	-20°C - 10°C	
Temperatura przechowywania	-20°C - 70°C	
Ciężar (bez akumulatora)	27 kg	
Zmierzony poziom mocy akustycznej L_{WA}	96 dB(A) K = 1,8 dB(A)	
Poziom ciśnienia akustycznego na wysokości ucha operatora L_{PA}	80 dB(A) K = 4 dB(A)	
Gwarantowany poziom mocy akustycznej L_{WA} (zmierzony zgodnie z dyrektywą 2000/14/WE)	98 dB(A)	
Szacunkowe drgania a_h :	Uchwyt lewy	1,3 m/s ² K=1,5 m/s ²
	Uchwyt prawy	1,3 m/s ² K=1,5 m/s ²

- Deklarowana całkowita wartość drgań została zmierzona zgodnie ze standardowymi metodami testowania i może służyć do porównywania różnych narzędzi.
- Deklarowana całkowita wartość drgań może również służyć do wstępnej oceny narażenia na drgań.

UWAGA: Emisja drgań podczas rzeczywistego stosowania elektronarzędzia może się różnić od deklarowanej wartości, w której narzędzie jest używane. Aby się zabezpieczyć, w rzeczywistych warunkach użytkowania użytkownik powinien nosić rękawice i naszłuki ochronne.

ZALECANE AKCESORIA

⚠ OSTRZEŻENIE: Następujące części zużywają się w wyniku normalnego użytkowania. Należy używać wyłącznie części zamiennych podanych poniżej. Stosowanie części, które nie spełniają oryginalnych specyfikacji sprzętu może spowodować niewłaściwe działanie i narazić użytkownika na niebezpieczeństwo.

NAZWA CZĘŚCI	NUMER MODELU
Gumowa łopatka i gumowy ślimak (zestaw)	ARP2120
Belka zgarniająca	ASS2120

OPIS

ZAPOZNANIE SIĘ Z ODŚNIEŻARKĄ (Rys. A1 – A3)

1. Uchwyt główny
2. Przelącznik sterowania (dźwignia przelącznika)
3. Wskaźnik zasilania
4. Uchwyt do podnoszenia
5. Dźwignia szybkiego odblokowywania
6. Pokrywa komory akumulatorów
7. Koło (x2)
8. Osłona paska napędowego
9. Zespół ślimaka
10. Reflektory LED
11. Osłona kierująca komina
12. Uchwyt osłony kierującej komina
13. Uchwyt do obracania komina
14. Klucz imbusowy
15. Pokrętko prędkości ślimaka
16. Przelącznik reflektorów LED
17. Przycisk bezpieczeństwa
18. Przycisk odblokowujący akumulator
19. Pokrętko blokady
20. Zatrask
21. Mechanizm odłączania
22. Styk elektryczny

LISTA ELEMENTÓW W OPAKOWANIU (RYS. A1)

MONTAŻ

ROZKŁADANIE SZYN BOCZNYCH

1. Odśnieżarka zostaje dostarczana ze złożonymi i zablokowanymi szynami bocznymi (Rys. B1).
2. Otworzyć dźwignie szybkiego odblokowywania po obu

stronach i delikatnie obrócić szyny boczne do góry, aż się oporu (Rys. B2 i B3).

3. Zamknąć dźwignię szybkiego odblokowywania, a następnie dokręcić pokrętła blokujące (Rys. B4).

MONTAŻ KOMINA WYRZUTOWEGO

1. Za pomocą dostarczonego klucza imbusowego poluzować i wyjąć dwa zestawy śrub i podkładek w podstawie komina wyrzutowego (Rys. C1).

C1-1	Podstawa komina wyrzutowego
------	-----------------------------

2. Dopasować rowki komina wyrzutowego do szczeliny w podstawie komina, a następnie włożyć komin wyrzutowy na miejsce (Rys. C2).

C2-1	Rowek komina wyrzutowego	C2-2	Szczelina w podstawie komina wyrzutowego
------	--------------------------	------	--

3. Użyć dostarczonego klucza imbusowego, aby zablokować komin wyrzutowy na miejscu za pomocą dwóch zestawów śrub i podkładek (Rys. C3).

UŻYTKOWANIE

ZAKŁADANIE/WYJMOWANIE AKUMULATORA

Do urządzenia należy używać wyłącznie ładowarek i akumulatorów marki EGO wymienionych na Rys. A4.

Więcej informacji znaleźć można w instrukcjach do odpowiednich akumulatorów i ładowarek.

Naładować przed pierwszym użyciem.

1. Unieść przód pokrywy, aby podnieść pokrywę komory akumulatorów (Rys. D1).
2. **Aby założyć akumulator**, należy dopasować żeberka akumulatora do szczelin mocujących i wsunąć akumulator do komory aż da się słyszeć kliknięcie. Założyć drugi akumulator. (Rys. D2)
3. **Aby wyjąć akumulator**, wystarczy wcisnąć przycisk odblokowujący akumulator i wysunąć akumulator (Rys. D3).

D3-1	Przycisk odblokowujący akumulator
------	-----------------------------------

4. Zamknąć pokrywę komory akumulatorów.

WŁĄCZANIE/WYŁĄCZANIE ODŚNIEŻARKI

UWAGA: Nie należy włączać i włączać odśnieżarki w krótkich odstępach czasu.

Włączanie odśnieżarki

1. Założyć akumulator(y) do odśnieżarki i zamknąć pokrywę akumulatora.
2. Nacisnąć przycisk bezpieczeństwa, aby podłączyć odśnieżarkę do zasilania.
3. Przy wciśniętym przycisku bezpieczeństwa pociągnąć przełącznik sterowania w górę tak, aby dotknął głównego uchwyty (Rys. E1).

E1-1	Przycisk bezpieczeństwa	E1-2	Przełącznik sterowania
------	-------------------------	------	------------------------

4. Po uruchomieniu ślimaka puścić przycisk bezpieczeństwa i rozpocząć pracę (Rys. E2).
5. **Aby jechać do przodu**, należy podnieść uchwyt główny, aby zespół ślimaka zetknął się z podłożem (Rys. E3). Napęd ślimaka będzie pomagał w przesuwaniu się odśnieżarki do przodu.

E3-1	Normalna pozycja robocza	E3-2	Pozycja napędu ślimakiem
E3-3	Zespół ślimaka stykający się z podłożem		

PL

UWAGA: Jeśli temperatura akumulatora wynosi -20°C lub mniej, odśnieżarka może nie włączać się prawidłowo. Jeśli odśnieżarka nie włącza się, należy wyjąć z niej akumulator i pozwolić, aby zagrzał się w pomieszczeniu przez 10 minut lub dłużej. Założyć akumulator z powrotem i spróbować ponownie.

Wyłączanie odśnieżarki

1. Całkowicie puścić przełącznik sterowania (Rys. E4).

E4-1	Przycisk bezpieczeństwa (całkowicie zwolniony)	E4-2	Przełącznik sterowania (całkowicie zwolniony)
------	--	------	---

2. Po puszczeniu (zwolnieniu) przełącznika sterowania, hamulec elektryczny w automatycznym mechanizmie hamowania zatrzymuje obroty ślimaka.

System zmiennej prędkości ślimaka (Rys. E5)

1. Aby zwiększyć prędkość ślimaka, należy przekręcić pokrętło prędkości ślimaka w kierunku od operatora.
2. Aby zmniejszyć prędkość, pokrętło prędkości ślimaka należy kręcić w kierunku do operatora.

Reflektory LED (Rys. E6)

1. Aby włączyć reflektory, należy nacisnąć przełącznik reflektorów LED. Reflektory zapewniają jasne oświetlenie strefy przed odśnieżarką.
2. Aby wyłączyć reflektory, wystarczy ponownie nacisnąć przełącznik reflektorów LED.

INFORMACJA: Aby oszczędzać akumulator, jeśli odśnieżarka będzie nieaktywna przez 5 minut, reflektory LED wyłączą się automatycznie.

REGULACJA KOMINA WYRZUTOWEGO

Kierunek usuwania śniegu można regulować w zakresie do 180° (Rys. E7).

E7-1	Uchwyt do obracania komina	E7-2	Komin wyrzutowy
------	----------------------------	------	-----------------

1. Aby obrócić komin wyrzutowy w lewo, wystarczy popchnąć uchwyt do obracania komina do przodu.
2. Aby obrócić komin wyrzutowy w prawo, wystarczy pociągnąć uchwyt do obracania komina do tyłu.

Odległość wyrzutu odśnieżarki zależy częściowo od kąta nachylenia osłony kierującej komina (Rys. E8).

E8-1	Spust	E8-2	Oslona kierująca komina
------	-------	------	-------------------------

1. Aby zwiększyć odległość, na jaką wyrzucany jest śnieg, należy nacisnąć spust na osłonie kierującej komina i unieść osłonę kierującą. Aby zablokować osłonę kierującą komina w danej pozycji, należy puścić spust na uchwycie osłony kierującej komina.
2. Aby zmniejszyć odległość, na jaką wyrzucany jest śnieg, wystarczy opuścić osłonę kierującą za pomocą uchwytu osłony kierującej komina.

PRZETYKANIE ZAPCHANEGO KOMINA WYRZUTOWEGO

1. Wyłączyć silnik i ślimak!
2. Wyjąć akumulator(y) z odśnieżarki.
3. Poczekać, aż ślimak przestanie się kręcić.
4. Do czyszczenia należy zawsze używać narzędzia takiego jak drewniany kij lub inne narzędzia do czyszczenia dostępne w handlu; nie wolno używać w tym celu ręki.

WSKAŹNIK ZASILANIA NA ODŚNIEŻARCE

Wskaźnik zasilania świeci się tylko wtedy, gdy odśnieżarka jest włączona.

WSKAŹNIK ZASILANIA	ZNACZENIE	DZIAŁANIE
Miga na zielono	Przycisk bezpieczeństwa jest wciśnięty, a odśnieżarka jest włączona i gotowa do pracy. Każdy włożony akumulator jest naładowany w co najmniej 15%.	n.d.
Świeci na zielono	Odśnieżarka pracuje właściwie, a każdy akumulator jest naładowany co najmniej do 15%.	n.d.
Miga na czerwono	Niski poziom naładowania akumulatora/-ów Ślimak nie kręci się, ale reflektory LED można na krótką chwilę włączyć.	Zatrzymać odśnieżarkę i naładować akumulator(y).
Świeci na pomarańczowo	Odśnieżarka się przegrzała.	Zatrzymać odśnieżarkę i odczekać chwilę, aż maszyna ostygnie.
Miga na pomarańczowo	Odśnieżarka jest przeciążona.	Wyjąć akumulator(y). Sprawdzić i usunąć śnieg, który zebrał się pod ślimakiem lub zapchał ślimak. Podczas pracy zmniejszyć prędkość pracy lub zmniejszyć szerokość odśnieżania.
Miga na przemian na czerwono i zielono	Błąd komunikacji.	Skontaktować się z punktem serwisowym EGO w celu dokonania naprawy.

Brak wskazania	Jeśli wskaźnik LED na jednym lub obu akumulatorach miga na pomarańczowo lub świeci na czerwono, akumulator(y) jest/są przegrzany/-e.	Zatrzymać odśnieżarkę i pozwolić, aby akumulator ostygł.
	Inne usterki: przełącznik, oświetlenie itp.	Skontaktować się z punktem serwisowym EGO w celu dokonania naprawy.

ZABEZPIECZENIE PRZECIWPRECIĄŻENIOWE ODŚNIEŻARKI

Aby zapobiec przeciążeniu, nie należy za jednym razem odśnieżać zbyt dużej ilości śniegu. Należy zmniejszyć prędkość pracy lub zmniejszyć szerokość odśnieżania.

Odśnieżarka posiada wbudowane czujniki przeciążenia. Gdy odśnieżarka jest przeciążana, silnik automatycznie zmniejsza prędkość, co objawia się cichszą pracą silnika. W przypadku przeciążenia należy zwolnić tempo pracy lub zmniejszyć szerokość odśnieżania, po czym prędkość silnika automatycznie wróci do swoich normalnych ustawień. Jeśli powyższy mechanizm nie rozwiąże problemu przeciążenia, czujnik wyłączy silnik automatycznie, a wskaźnik zasilania zacznie migać na pomarańczowo. Wyłączając akumulator(y) z odśnieżarki. Sprawdzić, czy w ślimaku i podwoziu nie utknął śnieg lub lód i użyć narzędzia do czyszczenia, aby je w razie potrzeby usunąć. Następnie założyć akumulatory z powrotem i ponownie włączyć odśnieżarkę.

ZABEZPIECZENIE AKUMULATORA PRZED WYSOKĄ TEMPERATURĄ

Jeśli temperatura akumulatora przekroczy 70°C podczas pracy, obwód zabezpieczający przed przegrzaniem natychmiast wyłączy odśnieżarkę, aby ochronić akumulator przed uszkodzeniem wskutek przegrzania. Wskaźnik zasilania na odśnieżarce zgaśnie, a wskaźnik LED na akumulatorze będzie migać na pomarańczowo lub świecić na czerwono. Więcej informacji na temat wskaźnika LED na akumulatorze podano w części „ZABEZPIECZENIE AKUMULATORA” w instrukcji obsługi akumulatora.

Zwolnić przełącznik sterowania i poczekać, aż przegrzany/-e akumulator(y) ostygnie/-ą, a kontrolka wskaźnika LED akumulatora zmieni kolor na zielony, a następnie ponownie włączyć odśnieżarkę.

Aby zapobiec wyłączeniu z powodu zabezpieczenia akumulatora przed wysoką temperaturą, nie należy

próbować używać pojedynczego akumulatora do zasilania odśnieżarki, gdy głębokość nagromadzonego śniegu przekracza 76 mm lub gdy śnieg jest bardzo mokry lub zmarznięty. Zalecamy używanie dwóch akumulatorów pracujących jednocześnie. Jest to pomocne w osiągnięciu przez odśnieżarkę maksymalnej mocy.

Po zadziałaniu zabezpieczenia przed wysoką temperaturą należy zwolnić tempo pracy i zmniejszyć szerokość odśnieżania, aby zmniejszyć obciążenie akumulatora.

KONSERWACJA

⚠ OSTRZEŻENIE: Przed przystąpieniem do jakichkolwiek prac konserwacyjnych na odśnieżarce należy się upewnić, że urządzenie jest wyłączone, a akumulator(y) jest/są wyjęty/-e z urządzenia.

KONSERWACJA OGÓLNA

Podczas czyszczenia części plastikowych należy unikać używania rozpuszczalników. Pod wpływem kontaktu z różnego rodzaju rozpuszczalnikami dostępnymi w handlu większość tworzyw może ulec uszkodzeniu. Do usuwania zabrudzeń, kurzu, oleju, smaru itp. należy używać czystych ściereczek.

SMAROWANIE MASZyny

Wszystkie łożyska urządzenia zostały nasmarowane wysokiej jakości smarem w ilości wystarczającej na cały okres eksploatacji w normalnych warunkach użytkowania. Urządzenie nie wymaga więc żadnego dodatkowego smarowania.

WYMIANA BELKI ZGARNIAJĄCEJ

Wymagane narzędzia (do dokupienia osobno):

- Klucz płaski 8 mm
- Śrubokręt Torx T20

1. Belka zgarniająca znajduje się w dolnej części odśnieżarki, pod ślimakiem (Rys. F1).

F1-1	Belka zgarniająca
------	-------------------

2. Obrócić odśnieżarkę na bok (Rys. F2).
3. Założyć rękawice. Odkręcić i zdjąć 5 zestawów nakrętek, podkładek sprężynujących i śrub z zewnątrz oraz wykręcić 2 śruby Torx od strony wewnętrznej. Zdjąć zużyłą belkę zgarniającą (Rys. F2).

F2-1	Nakrętka zewnętrzna (x5)	F2-2	Śruba Torx (x2)
------	--------------------------	------	-----------------

4. Założyć nową belkę zgarniającą i włożyć 2 śruby Torx (Rys. F3).

F3-1	Otwór wewnętrzny (x2)	F3-2	Belka zgarniająca (błyszcząca powierzchnia skierowana do wewnątrz)
F3-3	Śruba Torx (x2)		

5. Założyć 5 śrub z podkładkami sprężynującymi i dokręcić nakrętki (Rys. F4 i F5).

F5-1	Nakrętka	F5-2	Podkładka sprężynująca
F5-3	Pomost	F5-4	Belka zgarniająca
F5-5	Śruba		

WYMIANA GUMOWYCH ŁOPATEK I ŚLIMAKÓW

Aby wymienić gumowe łopatki, należy: (Rys. G1)

G1-1	Gumowe łopatki	G1-2	2 zestawy śruba i nakrętka na każdej łopatkę (łącznie 4 zestawy)
------	----------------	------	--

Wymagane narzędzia (do dokupienia osobno):

- Śrubokręt płaski
 - Klucz płaski 10 mm
1. Założyć rękawice. Ręcznie przekręcić stalowy ślimak w odpowiednią pozycję, która ułatwi demontaż gumowej łopatki.
 2. Aby móc wyjąć gumowe łopatki, wykręcić wszystkie śruby i nakrętki zabezpieczające.
 3. Wymienić gumowe łopatki na nowe i mocno dokręć.

Aby wymienić gumowe ślimaki, należy (Rys. G2):

G2-1	Gumowy ślimak (x4)	G2-2	1 zestaw śruba, podkładka i nakrętka na każdym ślimaku (łącznie 4 zestawy)
G2-3	2 zestawy śruba i nakrętka na każdym ślimaku (łącznie 8 zestawów)		

Wymagane narzędzia:

- Klucz płaski 13 mm (do dokupienia osobno)
 - Klucz imbusowy 5 mm (dostarczony w komplecie)
1. Założyć rękawice. Ręcznie przekręcić stalowy ślimak w pozycję, która ułatwi demontaż gumowych ślimaków.

2. Odkręcić i zdjąć wszystkie śruby i nakrętki mocujące, aby wyjąć gumowe ślimaki.
3. Wymienić je na nowe gumowe ślimaki i mocno je dokręć.

PRZECHOWYWANIE ODŚNIEŻARKI

- Akumulator(y) należy wyjąć i schować w bezpiecznym miejscu niedostępnym dla dzieci.

Przed schowaniem należy wytrzeć wszelką wilgoć, brud i zanieczyszczenia z komory akumulatorów oraz wokół niej.

- Odśnieżarkę należy wycierać czystą, suchą ściereczką.
- Wszystkie nakrętki, śruby, pokrętła, wkłady itp. należy kontrolować pod kątem dokręcenia.
- Części ruchome należy sprawdzać pod kątem uszkodzenia, pęknięcia lub zużycia. Części uszkodzone należy naprawić, a brakujące uzupełnić.
- Złożyć szyny boczne do pozycji przechowywania.
- Odśnieżarkę należy przechowywać w miejscu czystym, suchym, zamkniętym i niedostępnym dla dzieci.
- Nie należy jej przechowywać w pobliżu materiałów żrących/powodujących korozję, takich jak nawóz lub sól kamienna.

SKŁADANIE SZYN BOCZNYCH

1. Aby komin był skierowany w lewo i nie przeszkadzał w składaniu, popchnąć uchwyt do obracania kominu maksymalnie do przodu. Nacisnąć spust na osłonie kierującej kominą, aby przechylić ją maksymalnie w dół (Rys. H1).
2. Otworzyć dźwignię szybkiego odblokowywania po obu stronach, aby złożyć szyny boczne do pozycji przechowywania (Rys. H2).

PODNOSENIE I PRZENOSZENIE ODŚNIEŻARKI

1. Wyjąć akumulator(y).
2. Złożyć szyny boczne zgodnie z opisem w poprzedniej części.
3. Przy podnoszeniu i przenoszeniu urządzenia jedną ręką trzymać za uchwyt do podnoszenia, a drugą chwycić w strefie podnoszenia u góry wlotu śniegu (tuż pod logo EGO) (Rys. I).

I-1	Strefa podnoszenia	I-2	Uchwyt do podnoszenia
-----	--------------------	-----	-----------------------

OCHRONA ŚRODOWISKA

WEEE (Zużyty sprzęt elektryczny i elektroniczny) Urządzeń elektrycznych, zużytych akumulatorów i ładowarki nie należy wyrzucać do zwykłych zmieszanych śmieci domowych! Produkt należy oddać do zbiórki selektywnej w autoryzowanym punkcie recyklingu. Elektronarzędzia należy oddawać do przyjaznego dla środowiska zakładu recyklingu.

PL

ROZWIĄZYWANIE PROBLEMÓW

PROBLEM	PRZYCZYNA	ROZWIĄZANIE
Szyny boczne nie pozostają w ustawionej pozycji.	<ul style="list-style-type: none"> ■ Pokrętła blokujące na szynach bocznych i/lub dźwignie szybkiego odblokowywania nie są dokręcone/zamknięte. 	<ul style="list-style-type: none"> ■ Upewnić się, że pokrętła blokujące na szynach bocznych są całkowicie dokręcone, a dźwignie szybkiego odblokowywania są całkowicie zamknięte.
<div style="background-color: black; color: white; padding: 2px; display: inline-block; font-weight: bold;">PL</div> <p>Odśnieżarka nie włącza się.</p>	<ul style="list-style-type: none"> ■ Słabe naładowanie akumulatora. ■ Wimik przymarzl i jest zablokowany śniegiem lub lodem. ■ Akumulator jest przegrzany. Wskaźnik LED na akumulatorze/-ach miga na pomarańczowo lub świeci na czerwono (patrz część „ZABEZPIECZENIE AKUMULATORA PRZED WYSOKĄ TEMPERATURĄ” w niniejszej instrukcji). ■ Podczas włączania odśnieżarki wykonane zostały niewłaściwe czynności. ■ Niezidentyfikowana usterka 	<ul style="list-style-type: none"> ■ Naładować akumulator. ■ Najpierw wyjąć akumulator(y), a następnie użyć narzędzia do czyszczenia, aby usunąć śnieg lub lód blokujący ślimak. Następnie założyć akumulatory i ponownie włączyć odśnieżarkę. ■ Wyjąć przegrzany/-e akumulator(y) z odśnieżarki i poczekać, aż akumulator(y) ostygnie/-ą do około 67°C. Następnie założyć akumulatory z powrotem i ponownie włączyć odśnieżarkę. ■ (1) Wcisnąć przycisk bezpieczeństwa, aż wskaźnik zasilania zacznie migać na zielono. (2) Gdy przycisk będzie wciśnięty, pociągnąć przełącznik sterowania w górę do uchwytu głównego. ■ Skontaktować się z punktem serwisowym EGO w celu dokonania naprawy.
Silnik jest włączony, ale ślimak się nie kręci.	<ul style="list-style-type: none"> ■ Pasek napędowy jest zużyty lub zerwany. 	<ul style="list-style-type: none"> ■ Skontaktować się z punktem serwisowym EGO w celu dokonania naprawy.
Po przejechaniu odśnieżarka zostawia na ziemi warstwę śniegu.	<ul style="list-style-type: none"> ■ Belka zgarniająca jest zużyta. 	<ul style="list-style-type: none"> ■ Wymienić belkę zgarniającą zgodnie ze wskazówkami podanymi w części „WYMIANA BELKI ZGARNIAJĄCEJ” w niniejszej instrukcji.
Odśnieżarka wyrzuca mniej śniegu.	<ul style="list-style-type: none"> ■ Gumowe łopatkki są zużyte. ■ Prędkość ślimaka może być za mała. 	<ul style="list-style-type: none"> ■ Wymienić gumowe łopatkki zgodnie ze wskazówkami podanymi w części „WYMIANA GUMOWYCH ŁOPATEK” w niniejszej instrukcji. ■ Zwiększyć prędkość ślimaka



PROBLEM	PRZYCZYNA	ROZWIĄZANIE
Šnek nemá traci a je třeba vynaložit větší úsilí, aby se sněhová fréza posunula vpřed.	<ul style="list-style-type: none">■ Gumowe ślimaki są zużyte.	<ul style="list-style-type: none">■ Wymienić gumowe ślimaki zgodnie ze wskazówkami podanymi w części „WYMIANA GUMOWYCH ŚLIMAKÓW” w niniejszej instrukcji.

GWARANCJA

POLITYKA GWARANCYJNA EGO

W celu zapoznania się z wszystkimi warunkami polityki gwarancyjnej EGO prosimy odwiedzić stronę egopowerplus.com.

PL

PŘEČTĚTE SI VŠECHNY POKYNY!



PŘEČTĚTE SI NÁVOD K OBSLUZE

BEZPEČNOSTNÍ SYMBOL

Při použití elektrického nářadí může dojít k vyvrstvení cizích těles do očí, což může způsobit jejich závažné poškození. Před použitím elektrického nářadí si vždy nasadte ochranné brýle, ochranné brýle s bočními kryty nebo v případě potřeby obličejový štít. Na brýle nebo standardní ochranné brýle s bočními kryty doporučujeme použít ochrannou masku.



Bezpečnostní upozornění



Z důvodu snížení nebezpečí úrazu si musí uživatel před použitím tohoto výrobku přečíst návod k obsluze a porozumět mu.



Při práci s tímto výrobkem vždy noste ochranné brýle nebo bezpečnostní brýle s bočními ochrannými štíty nebo obličejový štít.



K uvolňování žlabu nepoužívejte ruce.

CZ



UPOZORNĚNÍ: Nedívejte se upřeně na provozní kontrolku.



Udržujte ruce a nohy v bezpečné vzdálenosti



Udržujte nohy mimo dosah rotujícího oběžného kola.



Garantovaná hladina akustického výkonu. Emise hluku do prostředí dle směrnice Evropského společenství.



Odpadní elektrické výrobky se nesmí likvidovat s domovním odpadem. Odevzdejte je do autorizovaného recyklačního střediska.



Tento výrobek je v souladu s platnými směrnici ES.



Stejnoseměrný proud



Tento výrobek je v souladu s platnými předpisy ve Spojeném království.

IPX4 Stupeň ochrany proti vniknutí vody

V Volt

cm Centimetry

m Meter

kg Kilogram

TECHNICKÉ ÚDAJE

Napětí	56 V	
Šířka odklízení	520 mm	
Výška přívodu	330 mm	
Vzdálenost odhazování	Až 14 m	
Velikost kola	178 mm	
Doporučená provozní teplota	- 20°C - 10°C	
Skladovací teplota	- 20°C - 70°C	
Hmotnost (bez akumulátoru)	27 kg	
Měřená hladina akustického výkonu L_{WA}	96 dB(A) K=1,8 dB(A)	
Hladina akustického tlaku na sluch obsluhy L_{PA}	80 dB(A) K=4 dB(A)	
Zaručená úroveň akustického výkonu L_{WA} (měřeno podle směrnice 2000/14/ES)	98 dB(A)	
Hodnota vibrací a_n :	Levá rukojeť	1,3 m/s ² K=1,5 m/s ²
	Pravá rukojeť	1,3 m/s ² K=1,5 m/s ²

- Celková deklarovaná hodnota vibrací byla naměřena podle standardní zkušební metody a lze ji použít ke srovnání s jiným nářadím;
- Celkovou deklarovanou hodnotu vibrací lze použít také k předběžnému stanovení expozičních limitů.

POZNÁMKA: Emise vibrací při konkrétním použití elektrického nářadí se mohou lišit od deklarované hodnoty, při které se nářadí používá; z důvodu ochrany provozovatele by měl uživatel ve skutečných pracovních podmínkách nosit rukavice a chrániče sluchu.

DOPORUČENÉ PŘÍSLUŠENSTVÍ

⚠ VAROVÁNÍ: Následující díly se mohou běžným používáním opotřebovat. Používejte pouze níže uvedené originální náhradní díly. Použití dílů, které nespĺňují specifikace originálního vybavení, může vést k nekalitnímu výkonu a narušení bezpečnosti.

NÁZEV DÍLU	ČÍSLO MODELU
Sada gumového pádla a gumového šneku	ARP2120
Shrnovací lišta	ASS2120

POPIS

SEZNAMTE SE SE SNĚHOVOU FRÉZOU

(obr. A1 - A3)

1. Hlavní rukojeť
2. Pákový spínač (spínací páka)
3. Kontrolka nabití
4. Zvedací rukojeť
5. Rychloupínací páčka
6. Kryt bateriového prostoru
7. Kolo (x2)
8. Kryt hnacího řemene
9. Sestava šneku
10. LED světlotmety
11. Deflektor žlabu
12. Rukojeť deflektoru žlabu
13. Rukojeť otáčení žlabu
14. Imbusový klíč
15. Rychloměr šneku
16. Spínač LED světlotmetů
17. Bezpečnostní tlačítko
18. Tlačítko pro uvolnění akumulátoru
19. Pojistný knoflík
20. Západka
21. Vysunovací mechanismus
22. Elektrický kontakt

CZ

OBSAH BALENÍ (OBR. A1)

MONTÁŽ

ODKLOPENÍ BOČNÍCH LIŠT

1. Sněhová fréza je dodávána se sklopenými bočními lištami v uzamčené poloze (obr. B1).
2. Otevřete rychloupínací páčky na obou stranách a opatrně vykopete boční lišty nahoru, až se zastaví (obr. B2 a B3).

- Zavřete rychloupínací páčky a poté utáhněte pojistné knoflíky (obr. B4).

INSTALACE ŽLABU

- Pomocí dodaného šestihranného klíče povolte a odstraňte dvě sady šroubů a podložek v základně žlabu (obr. C1).

C1-1	Základna žlabu
------	----------------

- Vyrovnejte drážky žlabu s drážkou na základně žlabu a zatlačte žlab na místo (obr. C2).

C2-1	Drážka žlabu	C2-2	Drážka na základně žlabu
------	--------------	------	--------------------------

- Pomocí dodaného šestihranného klíče zajistěte žlab dvěma sadami šroubů a podložek (obr. C3).

OBSLUHA

INSTALACE/VYJMUTÍ AKUMULÁTORU

Používejte pouze s akumulátory a nabíječkami EGO uvedenými na obr. A4.

CZ

Další podrobnosti naleznete v příslušných příručkách k akumulátorům a nabíječkám.

Před prvním použitím akumulátor plně nabijte.

- Zvedněte kryt prostoru pro baterie zvednutím přední části krytu (obr. D1).
- Připojení:** Srovnejte žebrovaní akumulátoru s instalačními drážkami a zatlačte akumulátor, dokud neuslyšíte „kliknutí“. Připojte druhý akumulátor. (obr. D2)
- Odpojení:** Stiskněte tlačítko pro uvolnění akumulátoru a vytáhněte jej (obr. D3).

D3-1	Tlačítko pro uvolnění akumulátoru
------	-----------------------------------

- Zavřete kryt prostoru pro baterie.

SPUŠTĚNÍ/VYPNUTÍ SNĚHOVÉ FRÉZY

POZNÁMKA: Nesnažte se rychle vypnout a zapnout sněhovou frézu.

Spuštění sněhové frézy

- Připojte akumulátory ke sněhové fréze a zavřete kryt prostoru pro baterie.
- Zapněte sněhovou frézu stisknutím bezpečnostního tlačítka.
- Se stisknutým bezpečnostním tlačítkem vytáhněte spínač nahoru tak, aby se setkal s hlavní rukojetí (obr. E1).

E1-1	Bezpečnostní tlačítko	E1-2	Pákový spínač
------	-----------------------	------	---------------

- Jakmile se šnek spustí, uvolněte bezpečnostní tlačítko a začněte pracovat (obr. E2).
- Pro posun vpřed** zvedněte hlavní rukojeť, aby se šnek dotkl země (obr. E3). Trakce šneku pomáhá při pohybu sněhové frézy vpřed.

E3-1	Normální provozní poloha	E3-2	Poloha poháněná šnekem
E3-3	Sestava šneku se dotýká země		

POZNÁMKA: Sněhová fréza se nemusí řádně spustit, pokud je teplota akumulátoru - 20 ° C nebo méně. Pokud se sněhová fréza nespustí, vyjměte akumulátor ze sněhové frézy a nechejte jej uvnitř zahřát 10 minut nebo déle. Znovu nainstalujte akumulátor a zkuste to znovu.

Vypnutí sněhové frézy

- Úplně uvolněte pákový spínač (obr. E4).

E4-1	Bezpečnostní tlačítko (zcela uvolněné)	E4-2	Pákový spínač (úplně uvolněný)
------	--	------	--------------------------------

- Elektrická brzda v automatickém brzdovém mechanismu zastaví otáčení šneku po uvolnění pákového spínače.

Systém s proměnlivými otáčkami šneku (obr. E5)

- Chcete-li zvýšit rychlost šneku, posuňte ovladač rychlosti šneku směrem od obsluhy.
- Chcete-li snížit otáčky, posuňte ovladač rychlosti šneku směrem k obsluze.

LED světlomety (obr. E6)

- Chcete-li světlomety vypnout, stiskněte spínač LED světlometů. Světlomety poskytují jasné osvětlení před sněhovou frézu.
- Chcete-li světlomety vypnout, stiskněte znovu spínač LED světlometů.

POZNÁMKA: Světlomety LED se automaticky vypnou, když je sněhová fréza 5 minut nečinná, aby se zachovalo nabití akumulátorů.

SEŘÍZENÍ ŽLABU

Směr odklízení sněhu lze nastavit až do úhlu 180° (obr. E7).

E7-1	Rukojeť otáčení žlabu	E7-2	Žlab
------	-----------------------	------	------

1. Zatačením rukojeti otáčení žlabu dopředu otočte žlab dolů.
2. Zatažením za rukojeť otáčení žlabu dozadu otočte žlab doprava.

Odhozová vzdálenost sněžové frézy je částečně určena úhlem sklonu deflektoru žlabu (obr. E8).

E8-1	Spouštěč	E8-2	Deflektor žlabu
------	----------	------	-----------------

1. Chcete-li zvětšit vzdálenost, do které se sníh odhazuje, stiskněte spouštěč na rukojeti deflektoru žlabu a potom deflektor zvedněte. Uvolněte spouštěč na rukojeti deflektoru žlabu, aby se deflektor žlabu zajistil na místě.
2. Chcete-li snížit vzdálenost, do které je sníh odhazován, jednoduše spusťte deflektor pomocí rukojeti žlabu.

ČIŠTĚNÍ UCPANÉHO ŽLABU

1. Vypněte motor a šnek!
2. Vyměňte akumulátory ze sněžové frézy.
3. Počkejte, až se šnek přestane otáčet.
4. Vždy používejte čistící nástroj, například dřevěnou tyč nebo jiné běžně dostupné čistící nástroje; nepoužívejte ruku.

KONTROLKA NAPÁJENÍ NA SNĚHOVÉ FRÉZE

Kontrolka napájení se rozsvítí pouze tehdy, když je sněžová fréza spuštěna.

KONTROLKA NAPÁJENÍ	VÝZNAM	ČINNOST
Bliká zeleně	Bezpečnostní tlačítko je stisknuté a sněžová fréza je zapnutá a připravená k práci. Každý vložený akumulátor je nabitý alespoň z 15%.	Nevztahuje se.
Svítil zeleně	Sněžová fréza pracuje správně; každý akumulátor má kapacitu aspoň 15 % jeho kapacity.	Nevztahuje se.

Bliká červeně	Úroveň nabití akumulátorů je nízká. Šnek se neotáčí, ale LED světlomety by mohly na krátkou chvíli svítit.	Zastavte sněžovou frézu a nabijte akumulátory.
Svítil oranžově	Sněžová fréza je přehřátá.	Zastavte sněžovou frézu a počkejte, až stroj vychladne.
Bliká oranžově	Sněžová fréza je přetížená.	Vyměňte akumulátory. Zkontrolujte a odstraňte sníh, který se pod šnekem nahromadil nebo v něm uvízl. Při práci zpomalte tempo nebo zmenšete šířku odklizení sněhu.
Bliká střídavě červeně a zeleně	Porucha komunikace.	S opravou kontaktujte servisní středisko společnosti EGO.
Žádný údaj	Pokud LED kontrolka na jednom nebo obou akumulátorech bliká oranžově nebo svítí červeně, je akumulátor (akumulátory) přehřátý.	Zastavte sněžovou frézu a nechte akumulátor vychladnout.
	Další závady: spínač, světlo atd.	S opravou kontaktujte servisní středisko společnosti EGO.

CZ

OCHRANA SNĚHOVÉ FRÉZY PROTI PŘETÍŽENÍ

Abyste předešli přetížení, nepokoušejte se odstraňovat příliš mnoho sněhu najednou. Zpomalte tempo nebo zmenšete šířku odklizení sněhu.

Vaše sněžová fréza má vestavěné prvky pro detekci přetížení. Když je sněžová fréza přetížená, motor automaticky sníží rychlost a uslyšíte, že se zvýšila hlasitost motoru. V případě přetížení zpomalte tempo nebo zužte šířku odklizení, poté se otáčky motoru automaticky vrátí

k normálnímu nastavení. Pokud toto opatření nevyřeší situaci s přetížením, senzor automaticky vypne motor a LED kontrolka na sněhové fréze bude blikat oranžově. Vyjměte akumulátory ze sněhové frézy. Zkontrolujte, zda ve šneku a na palubě neuvízli sníh nebo led, a v případě potřeby je odstraňte pomocí čistícího nástroje. Znovu namontujte akumulátory a znovu spusťte sněhovou frézu.

TEPELNÁ OCHRANA AKUMULÁTORU

Pokud teplota akumulátoru během provozu překročí 70°C, obvod teplotní ochrany okamžitě vypne stroj, aby chránil akumulátor před poškozením přehřátím. Kontrolka napájení na sněhové fréze bude vypnutá a LED kontrolka na akumulátoru bude blikat oranžově nebo svítit červeně. Více informací o LED kontrolce na akumulátoru naleznete v části „OCHRANA AKUMULÁTORU“ v návodu k obsluze akumulátoru.

Uvolněte pákový spínač a počkejte, až přehřátý akumulátor vychladne a kontrolka LED indikátoru akumulátoru se rozsvítí zeleně, poté sněhovou frézu znovu spusťte.

Abyste zabránili vypnutí v důsledku ochrany akumulátoru proti vysokým teplotám, nepokoušejte se napájet sněhovou frézu jedním akumulátorem, pokud hloubka nahromaděného sněhu přesahuje 76 mm nebo pokud je sníh velmi mokry nebo zledovatělý. Doporučujeme používat dva akumulátory pracující současně. To je užitečné pro dosažení maximálního výkonu sněhové frézy.

Poté, co dojde k ochraně proti vysokým teplotám, zpomalte tempo a zužte šířku odklízení sněhu, abyste snížili zatížení akumulátoru.

ÚDRŽBA

VAROVÁNÍ: Před jakoukoli údržbou sněhové frézy se ujistěte, že jste stroj vypnuli a vyndali akumulátory.

CELKOVÁ ÚDRŽBA

K čištění plastových dílů nepoužívejte rozpouštědla. Většina plastů je náchylná k poškození různými typy komerčních rozpouštědel a jejich použití je může poškodit. K odstranění nečistot, prachu, oleje, maziva atd. použijte čistý hadr.

MAZÁNÍ STROJE

Veškerá ložiska v tomto výrobku jsou za normálních provozních podmínek namazána dostatečným množstvím vysoce kvalitního maziva po celou dobu životnosti stroje. Proto není nutné žádné další mazání ložisek.

VÝMĚNA SHRNOVACÍ LIŠTY

Potřebné nářadí (není součástí dodávky):

- Otevřený klíč 8 mm

■ Šroubovák T20 Torx

1. Shrnovací lišta je umístěna ve spodní části sněhové frézy pod šnekem (obr. F1).

F1-1	Shrnovací lišta
------	-----------------

2. Položte sněhovou frézu na bok (obr. F2).
3. Používejte rukavice. Odstraňte 5 sad matic, pružných podložek a šroubů z vnější strany a odstraňte 2 šrouby Torx z vnitřní strany. Odstraňte opotřebovanou shrnovací lištu (obr. F2).

F2-1	Vnější matice (x5)	F2-2	Šroub Torx (x2)
------	--------------------	------	-----------------

4. Připevněte novou shrnovací lištu a vložte 2 šrouby Torx (obr. F3).

F3-1	Vnitřní otvor (x2)	F3-2	Shrnovací lišta (lesklý povrch směřující dovnitř)
F3-3	Šroub Torx (x2)		

5. Vložte 5 šroubů a utáhněte je pružnými podložkami a maticemi (obr. F4 a F5).

F5-1	Matice	F5-2	Pružná podložka
F5-3	Šasi	F5-4	Shrnovací lišta
F5-5	Šroub		

VÝMĚNA GUMOVÝCH LOPATEK A GUMOVÝCH ŠNEKŮ

Výměna gumových lopatek: (Obr. G1)

G1-1	Gumové lopatky	G1-2	2 sady šroubů a matic na každé lopatce (celkem 4 sady)
------	----------------	------	--

Potřebné nářadí (není součástí dodávky):

- Plochý šroubovák
 - Otevřený klíč 10 mm
1. Používejte rukavice. Ručně otočte ocelový šnek do vhodné polohy pro snadnou demontáž gumové lopatky.
 2. Odstraňte všechny upevňovací šrouby a matice a vyjměte gumové lopatky.
 3. Nahradejte je novými gumovými lopatkami a pevně je utáhněte.

Výměna gumových šneků (obr. G2)

G2-1	Gumový šnek (x4)	G2-2	1 sada šroubu, podložky a matice na každém šneku (celkem 4 sady).
G2-3	2 sady šroubů a matic na každém šneku (celkem 8 sad)		

2. Sklopte boční lišty, jak je popsáno v předchozí kapitole.
3. Zvedněte a přeneste stroj tak, že jednou rukou uchopíte zvedací rukojeť a druhou rukou zvedací oblast v horní části sání sněhu (vpravo pod logem EGO) (obr. I).

I-1	Zvedací oblast	I-2	Zvedací rukojeť
-----	----------------	-----	-----------------

Potřebné nástroje:

- Otevřený klíč 13 mm (není součástí dodávky)
 - Šestihranný klíč 5 mm (součást dodávky)
1. Používejte rukavice. Ručně otočte ocelový šnek do vhodné polohy pro snadnou demontáž pryžového šneku.
 2. Odstraňte všechny upevňovací šrouby a matice a vyjměte gumové šneky.
 3. Vyměňte je za nové gumové šneky a pevně je utáhněte.

USKLADNĚNÍ SNĚHOVÉ FRÉZY

- Vyjměte akumulátory a uložte je na bezpečné místo mimo dosah dětí.

Před uskladněním otřete z prostoru pro baterie a z jeho okolí veškerou vlhkost, nečistoty nebo zbytky.

- Otřete sněhovou frézu čistým suchým hadrem.
- Zkontrolujte pevnost všech matic, šroubů, otočných knoflíků atd.
- Zkontrolujte poškození, zlomení nebo opotřebení pohyblivých dílů. Nechejte provést opravy poškozených nebo chybějících dílů.
- Sklopte boční lišty do úložné polohy.
- Uložte sněhovou frézu na čistém, suchém, uzavřeném místě mimo dosah dětí.
- Neskládejte ji v blízkosti korozivních materiálů, jako je hnojivo nebo kamenná sůl.

SKLÁPĚNÍ BOČNÍCH LIŠŤ

1. Ztlačte rukojeť otáčení žlabu úplně dopředu tak, aby žlab směřoval doleva, což zajistí, že při skládání nebude docházet k překážení. Stiskněte spoušť na rukojeti deflektoru žlabu a sklopte jej zcela dolů (obr. H1).
2. Otevřete rychloupínací páčky na obou stranách a sklopte boční lišty do úložné polohy (obr. H2).

ZVEDÁNÍ A PŘENÁŠENÍ SNĚHOVÉ FRÉZY

1. Vyjměte akumulátory.

OCHRANA ŽIVOTNÍHO PROSTŘEDÍ



OEEZ (Odpadních elektrická a elektronická zařízení) Elektrické zařízení, použité akumulátory a nabíječku nevyhazujte do domovního odpadu! Tento výrobek předejte autorizované recyklační společnosti ke tříděnému sběru. Elektrické nářadí musí být vráceno do zařízení pro ekologickou recyklaci.

ODSTRAŇOVÁNÍ ZÁVAD

PROBLÉM	PŘÍČINA	ŘEŠENÍ
Boční lišty nezůstávají na svém místě.	<ul style="list-style-type: none"> Pojistné knoflíky na bočních lištách a/nebo rychloupínací páky nejsou zajištěny. 	<ul style="list-style-type: none"> Ujistěte se, že jsou pojistné knoflíky na bočních lištách zcela dotažené a rychloupínací páčky zcela zavřené.
Sněhová fréza nespustí.	<ul style="list-style-type: none"> Nabití akumulátoru je nízké. Šnek je zamrzlý sněhem nebo ledem. Akumulátor je přehřátý. LED kontrolka na akumulátoru bliká oranžově nebo svítí červeně (viz část „OCHRANA AKUMULÁTORU PŘED VYSOKOU TEPLOTOU“ v tomto návodu). Nesprávné kroky při zapnutí sněhové frézy. Neidentifikovaná závada 	<ul style="list-style-type: none"> Nabijte akumulátor. Nejprve vyjměte akumulátory a poté pomocí čistícího nářadí odstraňte sníh nebo led, který překáží šneku. Znovu namontujte akumulátory a znovu spusťte sněhovou frézu. Vyjměte přehřáté akumulátory ze sněhové frézy a počkejte, až akumulátory vychladnou na teplotu přibližně 67°C. Znovu namontujte akumulátory a znovu spusťte sněhovou frézu. (1) Stiskněte bezpečnostní tlačítko, dokud kontrolka napájení nezačne blikat zeleně. (2) Se stisknutým tlačítkem vytáhněte pákový spínač nahoru tak, aby se setkal s hlavní rukojetí. S opravou kontaktujte servisní středisko společnosti EGO.
Motor je zapnutý, ale šnek se nespustí.	<ul style="list-style-type: none"> Hnací řemen je opotřebovaný nebo přetřžený. 	<ul style="list-style-type: none"> S opravou kontaktujte servisní středisko společnosti EGO.
Sněhová fréza po průjezdu zanechává na zemi vrstvu sněhu.	<ul style="list-style-type: none"> Shrnovací lišta je opotřebovaná. 	<ul style="list-style-type: none"> Vyměňte shrnovací lištu podle kapitoly „VÝMĚNA SHRNOVACÍ LIŠTY“ v tomto návodu.
Sněhová fréza odhazuje méně sněhu.	<ul style="list-style-type: none"> Gumové lopatky jsou opotřebované. Otáčky šneku mohou být příliš nízké. 	<ul style="list-style-type: none"> Vyměňte gumové lopatky podle kapitoly „Výměna gumových lopatek“ v tomto návodu. Zvyšte otáčky šneku.
Šnek nemá trakci a je třeba vynaložit větší úsilí, aby se sněhová fréza posunula vpřed.	<ul style="list-style-type: none"> Gumové šneky jsou opotřebované. 	<ul style="list-style-type: none"> Gumové šneky vyměňte podle kapitoly „VÝMĚNA GUMOVÝCH ŠNEKŮ“ v tomto návodu.

CZ

ZÁRUKA

ZÁRUKA SPOLEČNOSTI EGO

Úplné záruční podmínky společnosti EGO naleznete na webové stránce egopowerplus.com.

PREČÍTAJTE SI VŠETKY POKYNY!



PREČÍTAJTE SI NÁVOD NA OBSLUHU

BEZPEČNOSTNÝ SYMBOL

Prevádzka akéhokoľvek elektrického náradia môže viesť k vymršteniu cudzích predmetov do vašich očí, čo môže spôsobiť vážne poškodenie zraku. Predtým, než začnete používať elektrické náradie, si vždy nasadte ochranné okuliare alebo ochranné okuliare s postrannými krytmi a prípadne celotvárový štít. Odporúčame použiť bezpečnostnú masku so širokým prizorom na okuliare alebo štandardné bezpečnostné okuliare s postrannými krytmi.



Bezpečnostné upozornenie



Ak chcete znížiť riziko zranenia, používateľ musí pred použitím tohto výrobku prečítať a pochopiť návod na obsluhu.



Pri práci s týmto výrobkom vždy noste ochranné okuliare alebo ochranné okuliare s postrannými krytmi a celotvárový štít.



Na uvoľnenie žlabu nepoužívajte ruky.



UPOZORNENIE: Nepozerajte sa do prevádzkového svetla.



Dodržiujte bezpečnú vzdialenosť rúk a nôh

SK



Udržujte nohy mimo dosahu rotujúceho obežného dielu.



Garantovaná hladina akustického výkonu. Emisie hluku do prostredia podľa smernice Európskeho spoločenstva.



Odpadové elektrické výrobky sa nesmú likvidovať spolu s domovým odpadom. Odovzdajte do autorizovaného recyklačného strediska.



Tento výrobok je v súlade s platnými smernicami ES.



Jednosmerné prúdy



Tento výrobok je v súlade s platnou legislatívou Spojeného kráľovstva.

IPX4 Stupeň ochrany proti vniknutiu vody

V Volt

cm Centimetre

m Meter

kg Kilogram

TECHNICKÉ ÚDAJE

Napätie	56 V	
Šírka záberu	520 mm	
Výška vstupu	330 mm	
Odhadzovacia vzdialenosť	Až 14 m	
Veľkosť kolesa	178 mm	
Odporúčaná prevádzková teplota	- 20°C - 10°C	
Skladovacia teplota	- 20°C - 70°C	
Hmotnosť (bez akumulátora)	27 kg	
Nameraná hladina akustického výkonu L_{WA}	96 dB(A) K=1,8 dB(A)	
Hladina akustického tlaku na uši obsluhy L_{PA}	80 dB(A) K=4 dB(A)	
Garantovaná hladina akustického výkonu L_{WA} (merané podľa 2000/14/ES)	98 dB(A)	
Ohodnotenie vibrácií a_{h1} :	Ľavá rukoväť	1,3 m/s ² K=1,5 m/s ²
	Pravá rukoväť	1,3 m/s ² K=1,5 m/s ²

- Deklarovaná celková hodnota vibrácií bola meraná v súlade so štandardnou skúšobnou metódou a môže sa použiť na vzájomné porovnanie jednotlivých náradí;
- Uvádzaná celková hodnota vibrácie sa môže použiť aj na predbežný odhad expozície.

POZNÁMKA: Emisia vibrácií pri skutočnom používaní náradia sa môže odlišovať od deklarovanej hodnoty, pri akej sa nástroj používa; za účelom ochrany obsluhy má používateľ v skutočných podmienkach použitia nosiť rukavice a ochranu sluchu.

ODPORÚČANÉ PRÍSLUŠENSTVO

⚠ VAROVANIE: Nasledujúce časti podliehajú opotrebovaniu bežným používaním. Používajte iba identické náhradné diely uvedené nižšie. Používanie dielov, ktoré nespĺňajú pôvodné technické údaje zariadenia, môže mať za následok nedostatočný výkon a ohrozenie bezpečnosti.

NÁZOV DIELU	ČÍSLO MODELU
Sada gumených lopatiek a gumenej závitovky	ARP2120
Stieracia lišta	ASS2120

POPIS

ZOZNÁMTE SA S VAŠOU SNEHOVOU FRÉZOU (obr. A1 - A3)

1. Hlavná rukoväť
2. Výkyvný prepínač (prepínacia páčka)
3. Kontrolka napájania
4. Zdvíhacia rukoväť
5. Rýchlopínacia páka
6. Kryt priestoru pre batérie
7. Koleso (x2)
8. Kryt hnacieho remera
9. Zostava závitovky
10. LED svetlomety
11. Komínový deflektor
12. Rukoväť pre deflektor komína
13. Rukoväť pre natočenie komína
14. Šesthranný kľúč
15. Rýchlomer závitovky
16. Spínač LED svetlometov
17. Bezpečnostné tlačidlo
18. Tlačidlo uvoľnenia akumulátora
19. Zaisťovací gombík
20. Západka
21. Vysúvací mechanizmus
22. Elektrický kontakt

OBSAH BALENIA (OBR. A1)

MONTÁŽ

ROZKLÁPANIE BOČNÝCH LIŠŤ

1. Vaša snehová fréza sa dodáva s bočnými lištami v zloženej, uzamknutej polohe (obr. B1).
2. Otvorte rýchlopínacie páčky na oboch stranách a opatrne otočte bočné lišty nahor, kým sa nezastavia (obr. B2 a B3).

- Zatvorte rýchlopínacie páčky a potom utiahnite zaistovacie gombíky (obr. B4).

INŠTALÁCIA ŽLABU

- Pomocou dodaného šesťhranného kľúča uvoľnite a odstráňte dve sady skrutiek a podložiek v základni žlabu (obr. C1).

C1-1	Základňa žlabu
------	----------------

- Zarovnajete drážky žlabu so štrbinou na základni žlabu a potom zatlačte žlab na miesto (obr. C2).

C2-1	Drážka žlabu	C2-2	Štrbina na základni žlabu
------	--------------	------	---------------------------

- Pomocou dodaného šesťhranného kľúča zaistíte žlab na mieste pomocou dvoch súprav skrutiek a podložiek (obr. C3).

OBSLUHA

PRIPOJENIE/ODPOJENIE AKUMULÁTORA

Používajte iba EGO akumulátory a nabíjačky uvedené na obr. A4.

Ďalšie podrobnosti nájdete v príslušných návodoch pre akumulátory a nabíjačky.

Pred prvým použitím úplne nabite.

- Zdvihnite kryt priehradky na batérie zdvihnutím prednej časti krytu (obr. D1).
- Pripojenie:** Zarovnajete rebrovanie akumulátora s montážnymi drážkami a zatlačte akumulátor nadol, kým nebudete počuť „cvaknutie“ (Obr. M). Pripojte druhý akumulátor. (Obr. D2)
- Odpojenie:** Stlačte tlačidlo uvoľnenia akumulátora a vytiahnite akumulátor (obr. D3).

D3-1	Tlačidlo na uvoľnenie akumulátora
------	-----------------------------------

- Zatvorte kryt priestoru pre batérie.

SPUSTENIE/ZASTAVENIE SNEHOVEJ FRÉZY

POZNÁMKA: Nezapínajte a nevypínajte snehovú frézu v rýchlom slede za sebou.

Spustenie snehovej frézy

- Pripojte akumulátory k snehovej fréze a zatvorte kryt pre batérie.
- Zapnite snehovú frézu stlačením bezpečnostného tlačidla.

- So stlačeným bezpečnostným tlačidlom potiahnite výkyvný prepínač nahor, aby sa dostal do kontaktu s hlavnou rukoväťou (obr. E1).

E1-1	Bezpečnostné tlačidlo	E1-2	Výkyvný prepínač
------	-----------------------	------	------------------

- Akonáhle sa závitovka spustí, uvoľnite bezpečnostné tlačidlo a začnite prevádzku (obr. E2).

- Ak chcete postupovať dopredu,** zdvihnite hlavnú rukoväť, aby sa zostava závitovky mohla dotýkať zeme (obr. E3). Trakcia závitovky pomôže pri pohybe snehovej frézy dopredu.

E3-1	Normálna prevádzková poloha	E3-2	Poloha pohonu závitovky
E3-3	Zostava závitovky sa dotýka zeme		

POZNÁMKA: Snehová fréza sa nemusí správne spustiť, ak je teplota jej akumulátorov - 20 ° C alebo nižšia. Ak sa snehová fréza nespustí, vyberte akumulátor zo snehovej frézy a nechajte ho zahriať v interiéri najmenej 10 minút. Znova vložte akumulátor a skúste to znova.

Zastavenie snehovej frézy

- Úplne uvoľnite výkyvný prepínač (obr. E4).

E4-1	Bezpečnostné tlačidlo (úplne uvoľnené)	E4-2	Výkyvný prepínač (úplne uvoľnený)
------	--	------	-----------------------------------

- Elektrická brzda v automatickom brzdom mechanizme zastaví otáčanie závitovky po uvoľnení výkyvného prepínača.

Systém s premenlivou rýchlosťou závitovky (obr. E5)

- Ak chcete zvýšiť rýchlosť závitovky, posuňte volič rýchlosti závitovky ďalej od obsluhy.
- Ak chcete znížiť rýchlosť, posuňte volič rýchlosti závitovky smerom k obsluhu.

LED svetlomety (obr. E6)

- Ak chcete zapnúť svetlomety, stlačte spínač LED svetlometov. Svetlomety poskytujú jasné osvetlenie pred snehovou frérou.
- Ak chcete svetlomety vypnúť, znova stlačte spínač LED svetlometov.

POZNÁMKA: LED svetlomety sa automaticky vypnú, keď je snehová fréza neaktívna po dobu 5 minút, aby sa ušetrilo nabitie akumulátora.

SK

NASTAVENIE ŽLABU

Smer odstraňovania snehu je možné nastaviť až do 180° (obr. E7).

E7-1	Rukoväť pre natočenie žlabu	E7-2	Žlab
------	-----------------------------	------	------

- Zatlačte rukoväť otáčania žlabu dopredu, aby ste žlab otočili doľava.
- Potiahnutím rukoväte otáčania žlabu dozadu otočíte žlab doprava.

Odhadzovacia vzdialenosť snehovej frézy je čiastočne určená uhlom sklonu deflektora žlabu (obr. E8).

E8-1	Spúšťač	E8-2	Deflektor žlabu
------	---------	------	-----------------

- Ak chcete zväčšiť vzdialenosť odhodeného snehu, stlačte spúšťač na rukoväti deflektora žlabu a potom deflektor žlabu zdvihnite. Uvoľnite spúšťač na rukoväti deflektora žlabu, aby ste deflektor zaistili na mieste.
- Ak chcete zmenšiť vzdialenosť odhodenia snehu, jednoducho spustíte deflektor pomocou rukoväte deflektora.

SK

VYČISTENIE UPCHATÉHO ŽLABU

- Vypnite motor a závitovku!
- Vyberte akumulátory zo snehovej frézy.
- Počkajte, kým sa závitovka prestane otáčať.
- Vždy používajte čistiaci nástroj, ako je drevená tyč alebo iné čistiace nástroje, ktoré sú komerčne dostupné; nepoužívajte ruku.

KONTROLKA NAPÁJANIA NA SNEHOVEJ FRÉZE

Kontrolka napájania sa rozsvieti iba vtedy, keď je snehová fréza naštartovaná.

KONTROLKA NAPÁJANIA	VÝZNAM	AKCIA
Bliká zelená	Bezpečnostné tlačidlo je stlačené a snehová fréza je zapnutá a pripravená na prácu. Každý vložený akumulátor má aspoň 15 % svojej kapacity.	n/a

Svieti zelená	Snehová fréza funguje správne; každý akumulátor je nabitý na minimálne 15 % svojej kapacity	n/a
Bliká červená	Úroveň nabitia akumulátorov je nízka. Závitovka sa neotáča, ale LED svetlomety by sa mohli na chvíľu rozsvietiť.	Zastavte snehová frézu a nabite akumulátory.
Svieti oranžová	Snehová fréza je prehriata.	Zastavte snehová frézu a počkajte chvíľu, kým sa stroj ochladí.
Bliká oranžová	Snehová fréza je preťažená.	Vyberte akumulátory. Skontrolujte a odstráňte všetok sneh, ktorý sa nabhiera pod závitovkou alebo je v nej uviaznutý. Pri práci spomalte tempo alebo znížte šírku záberu na odpratávanie snehu.
Striedavé blikanie červenej a zelenej	Komunikačná chyba.	Kontaktujte servisné stredisko EGO pre opravu.
Žiadna indikácia	Ak LED kontrolka na jednom alebo oboch akumulátoroch bliká oranžovo alebo svieti načerveno, sú akumulátory prehriate.	Zastavte snehová frézu a nechajte akumulátor vychladnúť.
	Iné poruchy: spínač, svetlo atď.	Kontaktujte servisné stredisko EGO pre opravu.

OCHRANA PROTI PREŤAŽENIU SNEHOVEJ FRÉZY

Aby ste predišli preťaženiu, nepokúšajte sa odstrániť príliš veľa snehu naraz. Spomalte tempo alebo zmeníte šírku záberu na odpratávanie snehu.

Vaša snehová fréza má zabudované prvky na snímanie preťaženia. Ak je snehová fréza preťažená, motor automaticky zníži rýchlosť a budete počuť zníženie hlučnosti motora. V prípade preťaženia spomalte tempo alebo zúžte šírku záberu, potom sa otáčky motora automaticky vrátia do normálneho nastavenia. Ak toto riešenie nevyrieši situáciu preťaženia, snímač automaticky vypne motor a LED kontrolka na snehovej fréze bude blikať oranžovo. Vyberte akumulátory zo snehovej frézy. Skontrolujte, či v závitovke a plošine nie je zaseknutý sneh alebo ľad, a podľa potreby ich odstráňte pomocou nástroja na čistenie. Vložte späť akumulátory a reštartujte snehovú frézu.

OCHRANA AKUMULÁTORA PRED VYSOKÝMI TEPLOTAMI

Ak teplota akumulátora počas prevádzky prekročí 70°C, obvod tepelnej ochrany okamžite vypne stroj, aby chránil akumulátor pred poškodením v dôsledku prehriatia. Kontrolka napájania na snehovej fréze zhasne a LED kontrolka na akumulátore bude blikať oranžovo alebo svieťiť na červeno. Viac o LED kontrolke na akumulátore nájdete v časti „OCHRANA AKUMULÁTORA“ v návode na obsluhu akumulátora.

Uvoľnite výkyvný prepínač a počkajte, kým prehriate akumulátory nevychladnú a svetlo na LED kontrolke akumulátora sa rozsvieti na zeleno, potom snehovú frézu reštartujte.

Aby ste predišli vypnutiu z dôvodu ochrany akumulátora proti vysokej teplote, nepokúšajte sa na napájanie snehovej frézy používať jeden akumulátor, keď hĺbka nahromadeného snehu presiahne 76 mm alebo keď je sneh veľmi mokry alebo zľadovatený. Odporúčame použiť dva akumulátory, ktoré pracujú súčasne. To je užitočné pri dosahovaní maximálneho výkonu snehovej frézy.

Keď dôjde k ochrane pred vysokou teplotou, spomalte tempo a zúžte šírku záberu na odpratávanie snehu, aby ste znížili zaťaženie akumulátora.

ÚDRŽBA

VAROVANIE: Pred vykonaním akejkoľvek údržby na vašej snehovej fréze sa uistite, že ste stroj vypli a vybrali akumulátory.

CELKOVÁ ÚDRŽBA

Na čistenie plastových dielov nepoužívajte rozpúšťadlá. Väčšina plastov je náchylná na poškodenie rôznymi typmi komerčných rozpúšťadiel a môžu sa poškodiť, ak sa

rozpúšťadlá používajú. Použite čisté handry na odstránenie nečistôt, prachu, oleja, maziva atď.

MAZANIE STROJA

Všetky ložiská v tomto výrobku sú mazané dostatočným množstvom vysoko kvalitného maziva po celú dobu životnosti stroja za normálnych prevádzkových podmienok. Preto nie je potrebné žiadne ďalšie mazanie ložísk.

VÝMENA STIERACEJ LIŠTY

Potrebné nástroje (nie sú súčasťou dodávky):

- Vidlicový kľúč 8 mm
 - Torx skrutkovač T20
1. Stieracia lišta sa nachádza v spodnej časti plošiny snehovej frézy pod závitovkou (obr. F1).

F1-1	Stieracia lišta
------	-----------------

2. Položte snehovú frézu na bok (obr. F2).
3. Používajte rukavice. Odstráňte z vonkajšej strany 5 sád matíc, pružných podložiek a skrutiek a odstráňte 2 skrutky Torx zvnútra. Odpojte opotrebovanú stieraciu lištu (obr. F2).

F2-1	Vonkajšia matica (x5)	F2-2	Torx skrutka (x2)
------	-----------------------	------	-------------------

SK

4. Nasadte novú stieraciu lištu a vložte 2 skrutky Torx (obr. F3).

F3-1	Vnútrotný otvor (2x)	F3-2	Stieracia lišta (lesklý povrch smerom dovnútra)
F3-3	Torx skrutka (x2)		

5. Vložte 5 skrutiek a dotiahnite pomocou pružných podložiek a matíc (obr. F4 a F5).

F5-1	Matica	F5-2	Pružinová podložka
F5-3	Paluba	F5-4	Stieracia lišta
F5-5	Skrutka		

VÝMENA GUMENÝCH LOPATIEK A GUMENÝCH ZÁVITOVIEK

Výmena gumených lopatiek: (Obr. G1)

G1-1	Gumené lopatky	G1-2	2 sady skrutiek a matíc na každej lopatke (celkom 4 sady)
------	----------------	------	---

- Skrutkovač s plochou hlavou
 - Vidlicový kľúč 10 mm
1. Používajte rukavice. Manuálne otočte ocelovú závitovku do vhodnej polohy pre ľahkú demontáž gumenej lopatky.
 2. Odstráňte všetky zaisťovacie skrutky a matice, aby ste mohli vybrať gumené lopatky.
 3. Vymeňte ich za nové gumené lopatky a bezpečne ich utiahnite.

Výmena gumených závitoviek (obr. G2)

G2-1	Gumená závitovka (4x)	G2-2	1 sada skrutiek, podložiek a matice na každú závitovku (celkom 4 sady)
G2-3	2 sady skrutiek a matíc na každú závitovku (celkom 8 sád)		

Požadované nástroje:

- 13 mm vidlicový kľúč (nie je súčasťou dodávky)
 - 5 mm šesťhranný kľúč (súčasť dodávky)
1. Používajte rukavice. Manuálne otočte ocelovú závitovku do vhodnej polohy pre ľahkú demontáž gumenej závitovky.
 2. Odstráňte všetky zaisťovacie skrutky a matice, aby ste mohli vybrať gumené závitovky.
 3. Vymeňte ich za nové gumené závitovky a bezpečne ich utiahnite.

USKLADNENIE SNEHOVEJ FRÉZY

- Vyberte akumulátory a uložte na bezpečnom mieste mimo dosahu detí.

Pred uskladnením utrite všetku vlhkosť, špinu alebo nečistoty z priestoru pre batérie a okolo neho.

- Snehovú frézu poutierajte čistou suchou handrou.
- Skontrolujte tesnosť všetkých matíc, skrutiek atď.
- Skontrolujte pohyblivé časti, či nie sú poškodené, rozbité a opotrebované. Nechajte opraviť všetky poškodené alebo chýbajúce časti.
- Sklopte bočné lišty do úložnej polohy.
- Snehovú frézu skladujte na čistom, suchom a uzavretom mieste mimo dosahu detí.
- Neskladujte ju v blízkosti korozívnych materiálov, ako sú hnojivá alebo kamenná soľ.

SKLOPENIE BOČNÝCH LIŠŤ

1. Zatlačte rukoväť otáčania žlabu úplne dopredu tak, aby žlab smeroval doľava, čím sa zabezpečí, že pri skladaní nedochádza k prekážaniu. Stlačte spúšťač na rukoväti deflektora žlabu, aby ste ju sklopili úplne nadol (obr. H1).
2. Otvorte rýchlopúštinacie páčky na oboch stranách, aby ste sklopili bočné lišty do úložnej polohy (obr. H2).

ZDVÍHANIE A PRENÁŠANIE SNEHOVEJ FRÉZY

1. Vyberte akumulátory.
2. Sklopte bočné lišty podľa popisu v predchádzajúcej kapitole.
3. Zdvihnite a preneste stroj tak, že jednou rukou uchopíte zdvíhaciu rukoväť a druhou rukou oblasť zdvíhania na vrchu nasávania snehu (vpravo pod logom EGO) (obr. I).

I-1	Oblasť zdvíhania	I-2	Zdvíhacia rukoväť
-----	------------------	-----	-------------------

OCHRANA ŽIVOTNÉHO PROSTREDIA



WEEE (Odpad z elektrických a elektronických zariadení) Nevyhadzujte elektrické zariadenia, nabíjačku a použité akumulátory do domového odpadu! Tento výrobok odnesť na autorizované recyklačné miesto a poskytnite ho na separovaný zber. Elektrické náradie sa musí odovzdať do príslušného zariadenia na ekologicky šetrnú recykláciu.

SK

ODSTRAŇOVANIE PORÚCH

PROBLÉM	PRÍČINA	RIEŠENIE
Bočné lišty nezostávajú na svojom mieste.	<ul style="list-style-type: none"> Zaistovacie gombíky na bočných lištách a/ alebo rýchlopínacie páčky nie sú zaistené. 	<ul style="list-style-type: none"> Uistite sa, že zaistovacie gombíky na bočných lištách sú úplne utiahnuté a rýchlopínacie páčky sú úplne zatvorené.
Snehová fréza nenašartuje.	<ul style="list-style-type: none"> Akumulátor je takmer vybitý. Závitovka je zamrznutá so snehom alebo ľadom. Akumulátor je prehriaty. LED kontrolka na akumulátore bliká oranžovo alebo svieti červeno (pozrite si časť „OCHRANA AKUMULÁTORA PRED VYSOKÝMI TEPLOTAMI“ v tomto návode). Boli vykonané nesprávne kroky na zapnutie snehovej frézy. Neidentifikovaná chyba. 	<ul style="list-style-type: none"> Nabite akumulátor. Najskôr vyberte akumulátory a potom pomocou nástroja na čistenie odstráňte sneh alebo ľad, ktoré prekážajú závitovke. Vložte späť akumulátory a reštartujte snehovú frézu. Vyberte prehriate akumulátory zo snehovej frézy a počkajte, kým akumulátory nevychladnú na približne 67 ° C. Vložte späť akumulátory a reštartujte snehovú frézu. (1) Stlačte bezpečnostné tlačidlo, kým kontrolka napájania nezačne blikať na zeleno. (2) So stlačeným tlačidlom potiahnite výkyvný prepínač nahor, aby ste sa dostali k hlavnej rukoväti. Kontaktujte servisné stredisko EGO pre opravu.
Motor je zapnutý, ale závitovka sa neotáča.	<ul style="list-style-type: none"> Hnací remeň je opotrebovaný alebo zlomený. 	<ul style="list-style-type: none"> Kontaktujte servisné stredisko EGO pre opravu.
Po prejazde zanecháva snehová fréza na zemi vrstvu snehu.	<ul style="list-style-type: none"> Stieracia lišta je opotrebovaná. 	<ul style="list-style-type: none"> Vymeňte stieraciu lištu podľa časti „VÝMENA STIERACEJ LIŠTY“ v tomto návode.
Snehová fréza odhadzuje menej snehu.	<ul style="list-style-type: none"> Gumené lopatky sú opotrebované. Rýchlosť závitovky môže byť príliš nízka. 	<ul style="list-style-type: none"> Vymeňte gumené lopatky podľa časti „VÝMENA GUMENÝCH LOPATIEK“ v tomto návode. Zvýšte rýchlosť závitovky.
Závitovke sa nedarí získať trakciu a tlačenie snehovej frézy dopredu si vyžaduje nadmerné úsilie.	<ul style="list-style-type: none"> Gumené závitovky sú opotrebované. 	<ul style="list-style-type: none"> Vymeňte gumené závitovky podľa časti „VÝMENA GUMENÝCH ZÁVITOVIEK“ v tomto návode.

SK



ZÁRUKA

ZÁRUČNÁ POLITIKA EGO

Navštívte webové stránky egopowerplus.com pre úplné podmienky záručnej politiky spoločnosti EGO.

SK

130

56 V LÍTIUM-IÓNOVÁ AKUMULÁTOROVÁ SNEHOVÁ FRÉZA — SNT2120E-AP

OLVASSA EL AZ ÖSSZES UTASÍTÁST!



OLVASSA EL A HASZNÁLATI ÚTMUTATÓT

BIZTONSÁGI SZIMBÓLUM

Bármely elektromos kéziszerszám működtetése azzal járhat, hogy idegen tárgyak szembe kerülnek, ami súlyos szemsérüléseket okozhat. Az elektromos kéziszerszám működtetése előtt mindig vegyen fel oldalsó védőlemezrel ellátott védőszemüveget és a teljes védőálarcot, ha szükséges. Javasoljuk, hogy viseljen Wide Vision Safety Mask-ot (védőálarc) a védőszemüveg fölött vagy standard védőszemüveget oldalsó védőlemezrel.



Biztonsági figyelmeztetés



A sérülések kockázatának csökkentése érdekében a használaton a termék használata előtt el kell olvasnia és meg kell értenie a használati útmutatót.



Mindig viseljen védőszemüveget vagy oldalsó védőlemezrel ellátott védőszemüveget és teljes védőálarcot a termék működtetése közben.



A kidobó kitisztításához ne a kezét használja.



VIGYÁZAT: Ne nézzen a bekapcsolt lámpába,



Tartsa távol a lábát és kezét



Tartsa távol a lábát a forgó propellertől



Garantált hangteljesítményszint. Környezetre ható zajkibocsátás a Európai Közösség irányelve szerint.



Az elhasznált elektromos termékek nem helyezhetők a háztartási hulladékok közé. Vigye hivatalos újrahasznosító telephelyre.



A termék megfelel az érvényes EK irányelveknek.



Egyenáram



Ez a termék megfelel az Egyesült Királyság hatályos jogszabályainak.

IPX4 Víz behatolása elleni védelmi szint

V Volt


cm centiméter

m Méter

kg Kilogramm

HU

JELLEMZŐK

Feszültség	56 V 	
Tisztítási szélesség	520 mm	
Beszívó magasság	330 mm	
Kidobási távolság	14 m-ig	
Kerék méret	178 mm	
Javasolt üzemi hőmérséklet	- 20°C - 10°C	
Tárolási hőmérséklet	- 20°C - 70°C	
Súly (akkumulátoregység nélkül)	27 kg	
Mért hangteljesítményszint L_{WA}	96 dB(A) K=1,8 dB(A)	
Hangnyomásszint a kezelő fiúlnél L_{PA}	80 dB(A) K=4 dB(A)	
Garantált hangteljesítményszint L_{WA} (a 2000/14/EK szerint mérve)	98 dB(A)	
Vibráció értéke a_{ii} :	Bal oldali fogantyú	1,3 m/s ² K=1,5 m/s ²
	Jobb oldali fogantyú	1,3 m/s ² K=1,5 m/s ²

HU

- A névleges rezgési összérték mérése standard bevizsgálási módszerrel történt, és használatával a szerszámok egymással összehasonlíthatók.
- A névleges rezgési összérték a kockázat előzetes felméréséhez is felhasználható.

MEGJEGYZÉS: A rezgés-kibocsátás az elektromos szerszám aktuális használata közben eltérhet attól a névleges értéktől, amellyel a szerszámot használják: a kezelő védelme érdekében a használatnak kesztyűt és hallásvédőt kell használnia működtetés közben.

JAVASOLT TARTOZÉKOK

▲ FIGYELMEZTETÉS: A következő alkatrészek a normál használat során elhasználódnak. Csak az alább felsorolt pótalkatrészekkel azonos alkatrészeket használjon. Az olyan alkatrészeket használata, amelyek nem felelnek meg az eredeti felszerelés műszaki adatainak, nem megfelelő teljesítményt eredményeznek, és befolyásolják a biztonságot.

ALKATRÉSZ NEVE	MODELLSZÁM
Gumilapát és gumicsiga készlet	ARP2120
Felszedőlap	ASS2120

LEÍRÁS

ISMERJE MEG A LOMBFÚVÓT (A1–A3 ábra)

1. Fő fogantyú
2. Fogantyú kapcsoló (kapcsolókar)
3. Működésjelző
4. Emelő fogantyú
5. Gyorskioldó kar
6. Akkumulátor tartó fedél
7. Kerék (2 db.)
8. Hajtósíj-burkolat
9. Csigaszervezet
10. LED fényzőrök
11. Kidobóterelő-lemez
12. Kidobóterelő fogantyú
13. Kidobóforgató fogantyú
14. Imbuszkulcs
15. Csigasebesség-tárcsa
16. LED fényzőrök kapcsolója
17. Biztonsági gomb
18. Akkumulátor kioldógomb
19. Zárógomb
20. Zár
21. Kioldó mechanizmus
22. Elektromos érintkező

A CSOMAG TARTALMA (A1 ÁBRA)

ÖSSZESZERELÉS

AZ OLDALSÍNEK KINYITÁSA

1. Az Ön hómáróján az oldalsínek összecukott, reteszelt helyzetben vannak szállításkor (B1 ábra).
2. Nyissa ki a gyorskioldó karokat mindkét oldalon, és óvatosan forgassa felfelé az oldalsíneket ütközésig (B2 és B3 ábra).
3. Csukja vissza a gyorskioldó karokat, majd húzza meg a rögzítőgombokat (B4 ábra).

A KIDOBÓ FELHELYEZÉSE

1. A mellékelt imbuszkulccsal lazítsa meg és távolítsa el a kidobó aljában lévő két csavar- és alátétkészletet (C1 ábra).

C1-1	Kidobótalp
------	------------

2. Igazítsa a kidobó hornyait a kidobótalpon lévő nyílásba, majd tolja a kidobót a helyére (C2 ábra).

C2-1	A kidobó hornya	C2-2	A kidobótalpon lévő nyílás
------	-----------------	------	----------------------------

3. A mellékelt imbuszkulcs segítségével rögzítse a kidobót a két csavarral és alátéttel (C3 ábra).

HASZNÁLAT

AZ AKKUMULÁTOREGYSÉG BERAKÁSA/ KIVÉTELE

Csak az A4 ábrán felsorolt EGO akkumulátoregységeket és töltőket használja.

További részletekért tekintse meg a megfelelő akkumulátoregységek és töltők kézikönyvét.

Az első használat előtt teljesen töltsse fel.

1. Emelje fel az akkumulátortartó fedelét a fedél elülső részének megemelésével (D1 ábra).
2. **A behelyezéshez** illessze az akkumulátor vázát az akkumulátorban lévő szerelőnyíláshoz, és nyomja le az akkumulátoregységet, amíg kattantást nem hall. Helyezze be a másik akkumulátort. (D2. ábra)
3. **A kivételhez** oldja ki az akkumulátor kioldógombot, és húzza ki az akkumulátoregységet (D3 ábra).

D3-1	Akkumulátor kioldógomb
------	------------------------

4. Csjukja be az akkumulátortartó fedelét.

A HÓMARÓ INDÍTÁSA/LEÁLLÍTÁSA

MEGJEGYZÉS: Ne kapcsolgassa gyorsan ki és be a hómárot.

A hómáro elindítása

1. Helyezze az akkumulátoregysége(ke)t a hómároba, és zárja vissza az akkumulátor burkolatot.
2. Kapcsolja BE a hómárot a biztonsági gomb megnyomásával.
3. A biztonsági gomb lenyomásakor húzza felfelé a fogantyú kapcsolót, hogy elérje a fő fogantyút (E1 ábra).

E1-1	Biztonsági gomb	E1-2	Fogantyú kapcsoló
------	-----------------	------	-------------------

4. Ha a csiga elindul, engedje ki a biztonsági gombot, és kezdje el a működtetést (E2 ábra).
5. **Az előre haladáshoz** emelje fel a fő fogantyút, hogy a csigaszerelvény érintkezhesen a talajjal (E3 ábra). A csiga vonóereje segíti a hómáro előre mozgását.

E3-1	Normál működési helyzet	E3-2	Csiga hajtott helyzet
E3-3	A talajjal érintkező csigaszerelvény		

MEGJEGYZÉS: Előfordulhat, hogy a hómáro nem indul megfelelően, ha az akkumulátor hőmérséklete -20°C vagy annál alacsonyabb. Ha a hómáro nem indul be, vegye ki az akkumulátort a hómároból és hagyja legalább 10 percig beltéren melegedni. Helyezze vissza az akkumulátort, és próbálkozzon újra.

A hómáro leállítása

1. Teljesen oldja ki a fogantyú kapcsolót (E4 ábra).

E4-1	Biztonsági gomb (Teljesen kiengedve)	E4-2	Fogantyú kapcsoló (teljesen kiengedve)
------	--------------------------------------	------	--

2. Az automatikus fékezési mechanizmus elektromos fékje leállítja a csiga forgását a fogantyú kapcsoló kiengedése után.

Állítható sebességű csigarendszer (E5 ábra)

1. A csiga sebességének növeléséhez távolítsa a csigasebesség-tárcsát a kezelőtől.
2. A sebesség növeléséhez közelítse a csigasebesség-tárcsát a kezelő felé.

LED fényszórók (E6 ábra)

1. A fényszórók bekapcsolásához nyomja meg a LED fényszórók kapcsolóját. A fejlámpa erős megvilágítást biztosít a hómáro előtt.
2. A fényszórók kikapcsolásához nyomja meg ismét a LED fényszórók kapcsolóját.

MEGJEGYZÉS: A LED fényszórók automatikusan kikapcsolnak, ha a hómáro 5 percig inaktív, az akkumulátor töltöttségének megőrzése érdekében.

A KIDOBÓ BEÁLLÍTÁSA

A hóeltakarítás **iránya** 180° -ig állítható (E7 ábra).

E7-1	Kidobóforgató fogantyú	E7-2	Kidobó
------	------------------------	------	--------

1. Nyomja előre a kidobóforgató fogantyút a kidobó balra forgatásához.
2. Húzza hátra a kidobóforgató fogantyút a kidobó jobbra forgatásához.

A hómáró **dobási távolságát** részben a kidobóterelő-lemez dőlésszöge határozza meg (E8 ábra).

E8-1	Kapcsoló	E8-2	Kidobóterelő-lemez
------	----------	------	--------------------

1. A hókidobási távolság növeléséhez nyomja meg a kidobóterelő fogantyún lévő kioldót, majd emelje fel a kidobó terelőlemezt. Engedje el a kidobóterelő fogantyún lévő kioldót a kidobóterelő-lemez rögzítéséhez.
2. A hókidobás távolságának csökkentéséhez egyszerűen engedje lejjebb a terelőlemezt a kidobóterelő fogantyújával.

ELTÖMÖDÖTT KIDOBÓ TISZTÍTÁSA

1. Állítsa le a motort és a csigát!
2. Vegye ki az akkumulátoregysége(ke)t a hómáróból.
3. Várja meg, amíg a csiga forgása leáll.
4. Mindig használjon tisztító eszközt, például fa rudat vagy egyéb kereskedelemben kapható tisztító eszközt; ne használja a kezét.

HU

A HÓMARÓ MŰKÖDÉSJELEZŐJE

A működésjelző csak a hómáró elindításakor világít.

MŰKÖDÉS-JELZŐ	JELENTÉS	MŰVELET
Villogó zöld	A biztonsági gombot lenyomták, a hómáró be van kapcsolva, és működésre készen áll. Minden behelyezett akkumulátoregység töltöttsége legalább 15%.	n/a
Zölden világít	A hómáró megfelelően működik; mindegyik akkumulátor töltöttsége legalább 15%.	n/a

Pirosan villog	Az akkumulátoregység(ek) töltöttségi szintje alacsony. A csiga nem forog, de a LED fényszórók rövid ideig világíthatnak.	Állítsa le a hómárót, és tölts fel az akkumulátoregysége(ke)t.
Narancssárgán világít	A hómáró túlmelegedett.	Állítsa le a hómárót, és várjon egy ideig, amíg a gép lehül.
Narancssárgán villog	A hómáró túlterhelt.	Vegye ki az akkumulátoregysége(ke)t. Ellenőrizze és takarítsa el a csiga alatt összegyűlt vagy abban megtapadt havat. Munkavégzés közben lassítsa a tempót, vagy csökkentse a hőeltakarítási szélességet.
Felváltva pirosan és zölden villog	Kommunikációs hiba.	Forduljon az EGO szervizközponthoz a javításhoz.
Nincs jelzés	Ha az egyik vagy mindkét akkumulátoregységen lévő LED jelzőfény narancssárgán villog vagy pirosan világít, az akkumulátor(ok) túlmelegedtek.	Állítsa le a hómárót, és hagyja lehűlni az akkumulátort.
	Egyéb hibák: kapcsoló, lámpa, stb.	Forduljon az EGO szervizközponthoz a javításhoz.

HÓMARÓ TÚLTERHELÉS ELLENI VÉDELEM

A túlterhelés megelőzése érdekében ne próbáljon meg egyszerre túl sok havat eltávolítani. Lassítsa a tempót, vagy csökkentse a hőeltakarítási szélességet.

Az Ön hómarója túlterhelés-érzékelő elemekkel van felszerelve. A hómaró túlterhelése esetén a motor automatikusan csökkenti a sebességet, ami a motor zajszintjének csökkenéséből hallható. Túlterhelés esetén lassítsa a tempót vagy szűkítse le a takarítási szélességet, ami után a motor sebessége automatikusan visszaáll a normál beállítására. Ha ez nem oldja meg a túlterhelés problémáját, az érzékelő automatikusan leállítja a motort és a hómarón lévő működésjelző narancssárgán villog. Vegye ki az akkumulátoregysége(ke)t a hómaróból. Ellenőrizze, hogy nem ragadt-e hó vagy jég a csigába vagy a burkolatra, és szükség esetén használjon tisztítóeszközt. Tegye vissza az akkumulátoregysége(ke)t és indítsa újra a hómarót.

AKKUMULÁTOR TÚLMELEGEDÉS ELLENI VÉDELEM

Ha az akkumulátor hőmérséklete működés közben meghaladja a 70°C-ot, a hőmérsékletvédő áramkör azonnal lekapcsolja a hómarót, hogy megóvja az akkumulátoregységet a túlmelegedéstől. A hómaró működésjelzője kialszik, az akkumulátoregységen lévő LED jelzőfény pedig narancssárgán villog vagy pirosan világít. Kérjük, olvassa el az „**AKKUMULÁTOR VÉDELME**” című részt az akkumulátor kezelési útmutatójában, ha többet szeretne megtudni az akkumulátoregységen lévő LED jelzőfényről.

Engedje el a fogantyú kapcsolót, és várja meg, amíg a túlmelegedett akkumulátoregység(ek) lehűl(nek), és az akkumulátor LED jelzőfénye zöldre vált, majd indítsa újra a hómarót.

Az akkumulátor túlmelegedés elleni védelme által okozott leállítás megelőzése érdekében ne próbáljon egyetlen akkumulátort használni a hómaró tápellátásához, ha a felgyülemlett hó mélysége meghaladja a 76 mm-t, vagy ha a hó nagyon nedves vagy jeges. Javasoljuk, hogy két egyszerre működő akkumulátort használjon. Ez segít a hómaró csúcsteljesítményének elérésében.

A túlmelegedés elleni védelem biztosítása után lassítsa le a tempót, és szűkítse le a hőeltakarítási szélességet, hogy csökkentse az akkumulátor terhelését.

KARBANTARTÁS

▲ FIGYELMEZTETÉS: Gondoskodjon az egység kikapcsolásáról, és az akkumulátoregység(ek) eltávolításáról, mielőtt bármilyen karbantartási feladatot végezne a hómarón.

ÁLTALÁNOS KARBANTARTÁS

A műanyag alkatrészek tisztításához ne használjon oldószereket. A legtöbb műanyag különböző vegyi oldószerek hatására károsodik, ezek megrongálhatják őket. Használjon tiszta ruhát a szennyeződés, por, olaj, zsír, stb. eltávolításához.

A GÉP KENÉSE

A termék összes csapágya kiváló minőségű kenőanyaggal van kezelve, kellő mennyiségben ahhoz, hogy elegendő legyen az egység teljes élettartamára, normál üzemi körülmények közötti használat esetén. Ezért a csapágyn további kenése nem szükséges.

A FELSZEDŐLAP KICSERÉLÉSE

Szükséges eszközök (nem tartozékok):

- 8 mm-es villáskulcs
- T20 Torx csavarhúzó

1. A felszedőlap a hómaró burkolatának alján, a csiga alatt található (F1 ábra).

F1-1	Felszedőlap
------	-------------

2. Fordítsa a hómarót az oldalára (F2 ábra).
3. Viseljen védőkesztyűt. Távolítsa el az 5 készlet anyát, rugós alátétet és csavart kívülről, és a 2 Torx csavart belülről. Szerelje le az elhasznált felszedőlapot (F2 ábra).

F2-1	Külső anya (x5)	F2-2	Torx csavar (x2)
------	-----------------	------	------------------

4. Helyezze fel az új felszedőlapot, és helyezze be a 2 Torx csavart (F3 ábra).

F3-1	Belső lyuk (x2)	F3-2	Felszedőlap (fényes felület belül)
F3-3	Torx csavar (x2)		

5. Helyezze be az 5 csavart, és húzza meg rugós alátétekkel és anyákkal (F4 és F5 ábra).

F5-1	Anyacsavar	F5-2	Rugós alátét
F5-3	Burkolat	F5-4	Felszedőlap
F5-5	Csavar		

HU

A GUMILAPÁTOK ÉS GUMICSIGÁK CSERÉJE

A gumilapátok cseréje: (G1 ábra)

G1-1	Gumilapátok	G1-2	2 készlet csavar és anya minden lapáton (összesen 4 készlet)
------	-------------	------	--

Szükséges eszközök (nem tartozék):

- Laposfejű csavarhúzó
 - 10 mm-es villáskulcs
1. Viseljen védőkesztyűt. Forgassa el kézzel az acélcsigát a megfelelő pozícióba a gumilapát egyszerű szétszereléséhez.
 2. Távolítson el minden rögzítőcsavart és anyát a gumilapátok leszereléséhez.
 3. Cserélje ki őket új gumilapátokra, és húzza meg őket szorosan.

A gumicsigák cseréje (G2 ábra)

G2-1	Gumicsiga (x4)	G2-2	1 készlet csavar, alátét és anya minden csigán (összesen 4 készlet)
G2-3	2 készlet csavar és anya minden csigán (összesen 8 készlet)		

Szükséges eszközök:

- 13 mm-es villáskulcs (nem tartozék)
 - 5 mm-es imbuszkulcs (tartozék)
1. Viseljen védőkesztyűt. Forgassa el kézzel az acélcsigát a megfelelő pozícióba a gumicsiga egyszerű szétszereléséhez.
 2. Távolítsa el az összes rögzítőcsavart és anyát a gumicsigák eltávolításához.
 3. Cserélje ki őket az új gumicsigákra, és szorosan húzza meg őket.

A HÓMARÓ TÁROLÁSA

- Vegye ki az akkumulátor(oka)t és tegye biztonságos helyre, ahol gyermekek nem érhetik el.

Tárolás előtt törölje le a nedvességet, szennyeződéseket és törmeléket az akkumulátortartó rekeszről és környékéről.

- Tiszta, száraz ruhával törölje át a hómárót.
- Ellenőrizze az összes anyát, csavart és gomb stb. szorosságát.
- Vizsgálja át a mozgó alkatrészeket, hogy nincs-e rajtuk sérülés, törés vagy kopás. A sérült vagy hiányzó

alkatrészeket javíttassa meg.

- Hajtsa le az oldalsíneket tárolási helyzetbe.
- A hómárót tiszta, száraz, zárt helyen tárolja, ahol gyermekek nem férhetnek hozzá.
- Ne tárolja maró hatású anyagok közelében, pl. műtrágya vagy kőszó.

AZ OLDALSÍNEK HAJTÁSA

1. Tolja teljesen előre a kidobóforgató fogantyút úgy, hogy a kidobó balra nézzen, ami biztosítja, hogy összecsapkáskor ne zavarjon. Nyomja meg a kidobóterelő fogantyúján lévő kioldót, és billentsen le teljesen (H1 ábra).
2. Nyissa ki a gyorskioldó karokat mindkét oldalon, hogy az oldalsíneket tárolási helyzetbe hajthassa (H2 ábra).

A HÓMARÓ EMELESE ÉS SZÁLLÍTÁSA

1. Vegye ki az akkumulátoregysége(ke)t.
2. Hajtsa be az oldalsíneket az előző fejezetben leírtak szerint.
3. Úgy emelje és szállítsa az egységet, hogy egyik kezével megfogja az emelő fogantyút, másik kezével pedig a hóbemenet tetején lévő emelési felületet (közvetlenül az EGO embléma alatt) (I ábra).

I-1	Emelési felület	I-2	Emelő fogantyú
-----	-----------------	-----	----------------

HU

KÖRNYEZETVÉDELME



WEEE (Elektromos és elektronikus berendezések hulladékai) Ne dobja az elektromos felszerelést, az elhasznált akkumulátort és a töltőt a háztartási hulladékok közé! Vigye hivatalos újrahasznosító telephelyre, és tegye hozzáférhetővé a szelektív gyűjtéshez. Az elektromos eszközöket megfelelő környezetbarát újrahasznosító üzembe kell vinni.

HIBAELHÁRÍTÁS

PROBLÉMA	OK	MEGOLDÁS
Az oldalsínek nem maradnak a helyükön.	<ul style="list-style-type: none"> Az oldalsíneken lévő rögzítógombok és/vagy a gyorskioldó karok nincsenek rögzítve. 	<ul style="list-style-type: none"> Győződjön meg arról, hogy az oldalsíneken lévő rögzítógombok teljesen meg vannak húzva, és a gyorskioldó karok teljesen zárva vannak.
A hómáró nem indul.	<ul style="list-style-type: none"> Az akkumulátor töltöttségi szintje alacsony. A csiga befagyott. Az akkumulátorcsomag túlmelegedett. Az akkumulátoregysége(ke)n lévő LED jelzőfény narancssárgán villog vagy pirosan világít (lásd a kézikönyv „AKKUMULÁTOR TÚLMELEGEDÉS ELLENI VÉDELEM” c. részét) Helytelen lépéseket tettek a hómáró beindításához. Azonosítatlan hiba. 	<ul style="list-style-type: none"> Töltse fel az akkumulátort. Először távolítsa el az akkumulátoregysége(ke)t, majd egy tisztító eszközzel tisztítsa meg a csigát akadályozó havat vagy jeget. Tegye vissza az akkumulátoregységeket, és indítsa újra a hómárókat. Vegye ki a túlmelegedett akkumulátoregysége(ke)t a hómáróból, és várja meg, amíg az akkumulátoregység(ek) körülbelül 67 °C-ra lehül(nek). Tegye vissza az akkumulátoregysége(ke)t és indítsa újra a hómárót. (1) Nyomja meg a biztonsági gombot, amíg a működésjelző zölden villog. (2) A gomb megnyomása után húzza felfelé a fogantyú kapcsolót, hogy elérje a fő fogantyút. Forduljon az EGO szervizközponthoz a javításhoz.
A motor be van kapcsolva, de a csiga nem forog.	<ul style="list-style-type: none"> Az ékszíj elhasználódott vagy eltört. 	<ul style="list-style-type: none"> Forduljon az EGO szervizközponthoz a javításhoz.
Elhaladás után a hómáró hóréteget hagy a földön.	<ul style="list-style-type: none"> A felszedőlap elhasználódott. 	<ul style="list-style-type: none"> Cserélje ki a felszedőt a jelen kézikönyv „FELSZEDŐLAP” c. részében leírt módon.
A hómáró kevesebb havat dob ki.	<ul style="list-style-type: none"> A gumilapátok elhasználódtak. A csiga sebessége túl alacsony lehet. 	<ul style="list-style-type: none"> Cserélje ki a gumilapátokat a kézikönyv „A GUMILAPÁTOK CSERÉJE” című része szerint. Növelje a csiga sebességét.
A csiga nem tapad, és extra erőfeszítést igényel a hómáró előre tolása.	<ul style="list-style-type: none"> A gumicsigák elhasználódtak. 	<ul style="list-style-type: none"> Cserélje ki a gumicsigákat a kézikönyv „A GUMICSIGÁK CSERÉJE” című része szerint.

HU



GARANCIA

EGO GARANCIÁLIS FELTÉTELEK

Kérjük, látogasson el az egopowerplus.com oldalra, ahol megtalálja a részletes EGO garanciális feltételeket.

HU

CITIȚI TOATE INSTRUCȚIUNILE!



CITIȚI MANUALUL DE INSTRUCȚIUNI

SIMBOLUL DE SECURITATE

Exploatarea oricăror scule electrice se poate solda cu ricoșarea de obiecte străine în ochii dumneavoastră, ceea ce se poate solda cu vătămarea gravă a ochilor. Înainte de a începe să utilizați scula electrică, echipați-vă întotdeauna cu ochelari de protecție cu apărători laterale și vizieră pentru față, atunci când este nevoie. Vă recomandăm să purtați o vizieră lată de protecție peste ochelarii de vedere sau ochelari de protecție standard cu apărători laterale.



Alertă privind siguranța



Pentru a reduce riscul de vătămare, utilizatorul trebuie să citească și să înțeleagă manualul de instrucțiuni înainte de a utiliza acest produs.



Purtați întotdeauna ochelari de protecție sau ochelari de protecție cu apărători laterale și o vizieră facială completă când utilizați acest produs.



Nu folosiți mâinile pentru a desfunda jghebul.



ATENȚIE: Nu priviți direct în lampă în funcționare.



Țineți picioarele și mâinile la distanță



Țineți picioarele departe de rotor.



Nivel de putere acustică garantat. Emisii sonore în mediul înconjurător conform Directivei comunitare europene.

RO



Deșeurile produselor electrice nu trebuie să fie eliminate împreună cu deșeurile menajere. Predați-le unui punct de reciclare autorizat.



Acest produs este în conformitate cu directivele europene aplicabile.



Curent continuu



Acest produs este în conformitate cu legislația aplicabilă din Marea Britanie.

IPX4 Grad de protecție împotriva pătrunderii apei

V Volt

cm Centimetri

m Metru

kg Kilograme

SPECIFICAȚII

Tensiune	56 V	
Lățime de curățare	520 mm	
Înălțime de admisie	330 mm	
Distanță de aruncare	Până la 14 m	
Mărimea roții	178 mm	
Temperatură de funcționare recomandată	- 20°C - 10°C	
Temperatură de depozitare	- 20°C - 70°C	
Greutate (fără set de acumulatori)	27 kg	
Nivel de putere sonoră măsurată L_{WA}	96 dB(A) K=1,8 dB(A)	
Nivel de presiune acustică la urechea operatorului L_{PA}	80 dB(A) K=4 dB(A)	
Nivel de putere sonoră garantat L_{WA} (măsurat în conformitate cu 2000/14/CE)	98 dB(A)	
Valoarea vibrațiilor a_{hv} :	Mâner stânga	1,3 m/s ² K=1,5 m/s ²
	Mâner dreapta	1,3 m/s ² K=1,5 m/s ²

- Valoarea totală declarată a vibrațiilor a fost măsurată în conformitate cu o metodă standard de testare și poate fi utilizată pentru compararea sculelor între ele;
- Valoarea totală declarată poate fi utilizată în evaluarea preliminară a expunerii.

OBSERVAȚIE: Vibrațiile emise în timpul utilizării efective a sculei electrice pot diferi față de valoarea celor declarate pentru scula utilizată; Pentru protejerea operatorului, utilizatorul trebuie să poarte mănuși și protecții auditive în timpul utilizării efective a produsului.

ACCESORII RECOMANDATE

⚠️ AVERTISMENT: Următoarele piese se pot uza în urma utilizării normale. Utilizați numai piese de schimb identice enumerate mai jos. Utilizarea pieselor care nu întrunesc specificațiile echipamentului original pot duce la funcționarea inadecvată și la compromiterea siguranței.

DENUMIREA PIESELOR	NUMĂR MODEL
Set paleta de cauciuc și melc de cauciuc	ARP2120
Bară de răzuire	ASS2120

DESCRIEREA

DESCRIEREA SUFLANTEI PENTRU ZĂPADĂ (Fig. A1 – A3)

- Mâner principal
- Înterupător mâner (Manetă întrerupătoare)
- Indicator de alimentare
- Mâner de ridicare
- Manetă de eliberare rapidă
- Capacul compartimentului bateriei
- Roată (x2)
- Capacul curelei de transmisie
- Ansamblul melc
- Faruri cu LED
- Deflectorul jgheabului
- Mâner pentru deflectorul jgheabului
- Mâner de rotație a jgheabului
- Cheie hexagonală
- Buton de viteză burghiu
- Comutator faruri cu LED
- Buton de siguranță
- Buton de detașare a acumulatorului
- Buton de blocare
- Zăvor
- Mecanism de ejectare
- Contact electric

LISTA COMPONENTELOR (FIG. A1)

ASAMBLARE

DEPLIEREA ȘINELOR LATERALE

- Suflanta de zăpadă este livrată cu șinele laterale în poziția pliată, blocată (Fig. B1).
- Deschideți manetele de eliberare rapidă de pe ambele părți și pivotați ușor șinele laterale în sus până când se opresc (Fig. B2 și B3).

- Închideți manetele de eliberare rapidă și apoi strângeți butoanele de blocare (Fig. B4).

INSTALAREA JGHEABULUI

- Folosiți cheia hexagonală furnizată pentru a slăbi și a îndepărta cele două seturi de șuruburi și șaibe de la baza jgheabului (Fig. C1).

C1-1	Baza jgheabului
------	-----------------

- Aliniați canelurile jgheabului cu fanta de pe baza jgheabului, apoi împingeți jgheabul în poziție (Fig. C2).

C2-1	Canelura jgheabului	C2-2	Fantă de pe baza jgheabului
------	---------------------	------	-----------------------------

- Folosiți cheia hexagonală furnizată pentru a bloca jgheabul în poziție cu cele două seturi de șuruburi și șaibe (Fig. C3).

FUNCȚIONARE

ATAȘAREA/DETAȘAREA SETULUI DE ACUMULATORI

Utilizați numai seturile de acumulatori EGO și încărcătoarele prezentate în Fig. A4.

Pentru mai multe detalii, consultați manualele corespunzătoare ale bateriilor și încărcătoarelor.

Încărcați acumulatorul complet înainte de prima utilizare.

- Ridicați capacul compartimentului pentru baterii ridicând partea din față a capacului (Fig. D1).
- Pentru a atașa,** Aliniați nervurile de pe acumulator cu fantele de montare și apăsați în jos setul de acumulatori până la auzul unui "clic". Atașați cealaltă baterie. (Fig. D2)
- Pentru a detașa,** apăsați butonul de detașare al setului de acumulatori și scoateți setul de acumulatori (Fig. D3).

D3-1	Buton de detașare acumulator
------	------------------------------

- Închideți capacul compartimentului pentru baterii.

PORNIREA/OPRIREA SUFLANTEI PENTRU ZĂPADĂ

OBSERVAȚIE: Nu porniți și opriți rapid suflanta pentru zăpadă.

Pornirea suflantei pentru zăpadă

- Atașați setul de acumulatori în suflanta pentru zăpadă și închideți capacul acumulatorului.
- Porniți suflanta de zăpadă prin apăsarea butonului de siguranță.
- Cu butonul de siguranță apăsat, trageți în sus maneta întrerupătoare pentru a întâlni mânerul principal (Fig. E1).

E1-1	Buton de siguranță	E1-2	Întrerupător mâner
------	--------------------	------	--------------------

- Odată ce melcul pornește, eliberați butonul de siguranță și începeți funcționarea (Fig. E2).
- Pentru a avansa înainte,** ridicați mânerul principal pentru a permite ansamblului melc să intre în contact cu solul (Fig. E3). Tracțiunea melcului va ajuta la deplasarea suflantei de zăpadă înainte.

E3-1	Poziția normală de funcționare	E3-2	Poziția de propulsie a melcului
E3-3	Ansamblul melcului în contact cu solul		

OBSERVAȚIE: Suflanta pentru zăpadă poate să nu pornească corect dacă temperatura acumulatorilor săi este de -20°C sau mai joasă. Dacă unitatea nu pornește, scoateți acumulatorul din suflanta pentru zăpadă și lăsați-l să se încălzească în interior timp de 10 minute sau mai mult. Reinstalați acumulatorul și încercați din nou. Oprirea suflantei pentru zăpadă

- Eliberați complet maneta întrerupătoare (Fig. E4).

E4-1	Buton de siguranță (complet eliberat)	E4-2	Eliberați maneta întrerupătoare (complet eliberată)
------	---------------------------------------	------	---

- Frâna electrică din mecanismul de frânare automată va opri rotația melcului după ce maneta întrerupătoare este eliberată.

Sistem cu viteză variabilă (Fig. E5)

- Pentru a mări viteza melcului, îndepărtați selectorul de viteză al melcului de operator.
- Pentru a micșora viteza, deplasați selectorul de turație al melcului spre operator.

Faruri cu LED (Fig. E6)

- Pentru a porni farurile, apăsați comutatorul farurilor cu LED. Farul furnizează o lumină strălucitoare în fața suflantei de zăpadă.
- Pentru a opri farurile, apăsați din nou comutatorul farurilor cu LED.

RO

NOTĂ: Farurile cu LED se vor opri automat atunci când suflanta de zăpadă este inactivă timp de 5 minute pentru a păstra încărcătura bateriei.

AJUSTAREA JGHEABULUI

Dirrecția de îndepărtare a zăpezii poate fi reglată până la 180° (Fig. E7).

E7-1	Mâner de rotație a jgheabului	E7-2	Jgheab
------	-------------------------------	------	--------

1. Împingeți mânerul de rotire a jgheabului înainte pentru a roti jgheabul spre stânga.
2. Trageți mânerul de rotire a jgheabului în spate pentru a roti jgheabul spre dreapta.

Distanța de aruncare a suflantei de zăpadă este determinată în parte de unghiul de înclinare a deflectorului de jgheab (Fig. E8).

E8-1	Declanșator	E8-2	Deflectorul jgheabului
------	-------------	------	------------------------

1. Pentru a mări distanța la care este aruncată zăpada, apăsați trăgaciul de pe mânerul deflectorului jgheabului, apoi ridicați deflectorul jgheabului. Eliberați trăgaciul de pe mânerul deflectorului jgheabului pentru a bloca deflectorul de jgheab în poziție.
2. Pentru a micșora distanța la care este aruncată zăpada, este suficient să coborâți deflectorul cu ajutorul mânerului deflectorului jgheabului.

RO

CURĂȚAREA UNUI JGHEAB ÎNFUNDAT

1. Opriți motorul și melcul!
2. Detașați setul de acumulatori de suflanta pentru zăpadă.
3. Așteptați până când se oprește rotația melcului.
4. Folosiți întotdeauna un instrument de curățare, cum ar fi o tijă de lemn sau alte instrumente de curățare disponibile în comerț; nu vă folosiți mâna.

INDICATORUL DE PUTERE DE PE SUFLANTA DE ZĂPADĂ

Indicatorul de alimentare se va aprinde numai atunci când suflanta de zăpadă este pornită.

INDICATOR DE PUTERE	SEMNIȚAȚIE	AȚIUNE
Verde intermitent	Butonul de siguranță este apăsat, iar suflanta de zăpadă este pornită și gata de lucru. Fiecare pachet de baterii introdus are cel puțin 15% din încărcătură.	nu se aplică

Luminează verde	Suflanta pentru zăpadă funcționează corect; și fiecare acumulator are un nivel de încărcare de minim 15%.	nu se aplică
Roșu intermitent	Nivelul de încărcare al acumulatorilor este scăzut. Melcul nu se rotește, dar farurile cu LED-uri ar putea fi aprinse pentru o perioadă scurtă de timp.	Opriți suflanta pentru zăpadă și încărcați setul de acumulatori.
Se aprinde portocaliu	Suflanta pentru zăpadă este supra-încălzită.	Opriți suflanta de zăpadă și așteptați o perioadă de timp pentru a se răci mașina.
Portocaliu intermitent	Suflanta pentru zăpadă este supraîncăcată.	Îndepărtați setul de acumulatori. Verificați și îndepărtați orice zăpadă care s-a adunat sub sau este blocată în melc. Încetiniți ritmul sau micșorați lățimea benzii de deszăpezire atunci când lucrați.
Intermitent alternativ roșu și verde	Defecțiune de comunicare.	Contactați centrul de service EGO pentru reparații.
Nici o indicație	Dacă indicatorul LED de pe unul sau ambii acumulatori clipește portocaliu sau devine roșu, înseamnă că acumulatorul (acumulatorii) este (sunt) supraîncălzit(ți).	Opriți suflanta de zăpadă și lăsați acumulatorii să se răcească.
	Alte defecțiuni: întreprupător, lumină etc.	Contactați centrul de service EGO pentru reparații.

PROTECȚIE LA SUPRASARCINĂ A SUFLANTEI PENTRU ZĂPADĂ

Pentru prevenirea suprasolicitării, nu încercați să îndepărtați prea multă zăpadă odată. Încetiniți ritmul sau micșorați lățimea benzii de deszăpezire.

Suflanta dvs. pentru zăpadă are încorporate elemente de sensibilitate la suprasarcină. Când suflanta pentru zăpadă este supraîncărcată, motorul va scădea automat viteza și veți auzi că nivelul sonor al motorului scade. În caz de suprasarcină, încetiniți ritmul sau micșorați lățimea de curățare, după care viteza motorului își va relua automat setarea normală. Dacă acest remediu nu rezolvă situația de suprasarcină, senzorul va opri automat motorul, iar indicatorul de alimentare va lumina intermitent în portocaliu. Detașați setul de acumulatori de suflanta pentru zăpadă. Verificați dacă există zăpadă sau gheață blocată în melc și în punte și folosiți un instrument de curățare pentru a le îndepărta, dacă este necesar. Reinstalați acumulatorii și reporniți suflanta pentru zăpadă.

PROTECȚIA ÎMPOTRIVA SUPRAÎNCĂLZIRII ACUMULATORULUI

Dacă temperatura bateriei depășește 70 °C în timpul funcționării, circuitul de protecție la temperatură va opri imediat suflanta de zăpadă pentru a proteja acumulatorul de deteriorarea supraîncălzirii. Indicatorul de alimentare de pe suflanta de zăpadă va fi oprit, iar indicatorul LED de pe pachetul de baterii va clipi portocaliu sau va lumina roșu. Consultați secțiunea „PROTECȚIA BATERIEI” din manualul de utilizare a bateriei pentru mai multe informații despre indicatorul LED de pe pachetul de baterii.

Eliberați maneta întrerupătoare și așteptați până când pachetul (pachetele) de baterii supraîncălzit(e) se răcește (se răcesc) și lumina de pe indicatorul LED al bateriei devine verde, apoi reporniți suflanta de zăpadă.

Pentru a preveni oprirea din cauza protecției împotriva temperaturii ridicate a bateriei, nu încercați să folosiți o singură baterie pentru a alimenta suflanta de zăpadă atunci când adâncimea zăpezii acumulate depășește 76 mm sau când zăpada este foarte umedă sau înghețată. Recomandăm utilizarea a două baterii care funcționează simultan. Acest lucru este util pentru a atinge puterea maximă a suflantei de zăpadă.

După ce a apărut protecția împotriva temperaturii ridicate, încetiniți ritmul și reduceți lățimea benzii de deszăpezire pentru a reduce sarcina asupra bateriei.

ÎNTREȚINERE

⚠️ AVERTISMENT: Asigurați-vă că opriți unitatea și scoateți pachetul (pachetele) de baterii înainte de a efectua

orice operațiuni de întreținere a suflantei de zăpadă.

ÎNTREȚINERE GENERALĂ

Evitați utilizarea solventilor când curățați piese din plastic. Majoritatea pieselor din plastic sunt susceptibile să se deterioreze de la diverse tipuri de solvenți comerciali și se pot defecta prin utilizarea acestora. Utilizați lavete curate pentru a îndepărta murdăria, praful, uleiul, unsoarea etc.

LUBRIFIEREA MAȘINII

Toți rulmenții din acest produs sunt lubrifiați cu o cantitate suficientă de lubrifiant de înaltă calitate pentru viața unității în condiții normale de funcționare. Prin urmare, nu este necesară o lubrifiere suplimentară a rulmenților.

ÎNLOCUIREA BAREI DE RĂZUIRE

Scule necesare (nu sunt incluse):

- Cheie cu capătul deschis de 8 mm
- Șurubelniță Torx T20

1. Bara de răzuire este amplasată în partea de jos a platformei suflantei de zăpadă, sub melc (Fig. F1).

F1-1	Bară de răzuire
------	-----------------

2. Întoarceți suflanta de zăpadă pe o parte (Fig. F2).
3. Purtați mănuși. Îndepărtați cele 5 seturi de piulițe, șaibe elastice și șuruburi din exterior și îndepărtați cele 2 șuruburi Torx din interior. Desprindeți bara de răzuire uzată (Fig. F2).

F2-1	Piuliță exterioară (x5)	F2-2	Șurub Torx (x2)
------	-------------------------	------	-----------------

4. Atașați noua bară de răzuire și introduceți cele 2 șuruburi Torx (Fig. F3).

F3-1	Orificiu interior (x2)	F3-2	Bară de răzuire (suprafața lucioasă orientată spre interior)
F3-3	Șurub Torx (x2)		

5. Introduceți cele 5 șuruburi și strângeți-le cu șaibe elastice și piulițe (Fig. F4 și F5).

F5-1	Piuliță	F5-2	Șaibă elastică
F5-3	Platformă	F5-4	Bară de răzuire
F5-5	Bolț		

RO

ÎNLOCUIREA PALETELOR DE CAUCIUC ȘI A MELCILOR DE CAUCIUC

Pentru a înlocui plăcuțele de cauciuc: (Fig. G1)

G1-1	Palete de cauciuc	G1-2	2 seturi de șuruburi și piulițe pe fiecare paletă (în total 4 seturi)
------	-------------------	------	---

Scule necesare (nu sunt incluse):

- Șurubelniță cu cap plat
 - Cheie cu capătul deschis de 10 mm
1. Purtați mănuși. Rotiți manual melcul de oțel în poziția corespunzătoare pentru a facilita demontarea paletii de cauciuc.
 2. Îndepărtați toate șuruburile și piulițele de fixare pentru a scoate paletele de cauciuc.
 3. Înlocuiți-le cu noile paletii de cauciuc și strângeți-le bine.

Pentru a înlocui șuruburile de cauciuc (Fig. G2)

G2-1	Melc de cauciuc (x4)	G2-2	1 set de șuruburi, șaibe și piulițe pe fiecare melc (în total 4 seturi)
G2-3	2 seturi de șuruburi și piulițe pe fiecare melc (în total 8 seturi)		

Instrumente necesare:

- Cheie cu capătul deschis de 13 mm (nu este inclusă)
 - Cheie hexagonală de 5 mm (furnizată)
1. Purtați mănuși. Rotiți manual melcul de oțel în poziția corespunzătoare pentru a facilita demontarea melcului de cauciuc.
 2. Îndepărtați toate șuruburile și piulițele de fixare pentru a scoate melcii de cauciuc.
 3. Înlocuiți-le cu noile melci de cauciuc și strângeți-le bine.

DEPOZITAREA SUFLANTEI PENTRU ZĂPADĂ

- Scoateți setul de acumulatori și depozitați-l într-o locație sigură, inaccesibilă copiilor.

Înainte de depozitare, ștergeți orice umezeală, murdărie sau resturi de pe și din jurul compartimentului bateriei.

- Ștergeți suflanta pentru zăpadă cu o cârpă uscată și curată.
- Verificați să fie strânse toate piulițele, bolțurile, butoanele, șuruburile etc.

- Inspectați piesele în mișcare pentru a depista eventuale deteriorări, rupturi și uzuri. Efectuați reparații la orice piese deteriorate sau absente.
- Rabatați șinele laterale în poziția de depozitare.
- Depozitați suflanta pentru zăpadă într-un loc curat, uscat și închis, inaccesibil copiilor.
- Nu depozitați mașina în apropierea materialelor corozive precum fertilizanți sau sare gemă.

PLIEREA BARELOR LATERALE

1. Împingeți mânerul de rotire a jgheabului complet înainte, astfel încât jgheabul să fie orientat spre stânga, ceea ce va garanta că nu va cauza nicio interferență la pliere. Apăsăți trăgaciul de pe mânerul deflectorului de jgheab pentru a-l înclina complet în jos (Fig. H1).
2. Deschideți pârgھیile de eliberare rapidă de pe ambele părți pentru a plia șinele laterale în poziția de depozitare (Fig. H2).

RIDICAREA ȘI TRANSPORTAREA SUFLANTEI DE ZĂPADĂ

1. Îndepărtați setul de acumulatori.
2. Pliati șinele laterale așa cum este descris în capitolul anterior.
3. Ridicați și transportați unitatea prinzând mânerul de ridicare cu o mână și zona de ridicare, deasupra prizei de zăpadă (chiar sub sigla EGO), cu cealaltă mână (Fig. I).

I-1	Zona de ridicare	I-2	Mâner de ridicare
-----	------------------	-----	-------------------

PROTEJÂND MEDIUL ÎNCONJURĂTOR



DEEE (Deșeurii de echipamente electrice și electronice) - Nu eliminați echipamentul electric, acumulatorul epuizat și încărcătorul de acumulator împreună cu deșeurile menajere! Predați acest produs unui punct de reciclare autorizat și puneți-l la dispoziția colectării separate. Sculele electrice trebuie returnate unui centru de reciclare ecologic.

DEPANAREA

PROBLEMĂ	CAUZĂ	SOLUȚIE
Șinele laterale nu rămân în poziție.	<ul style="list-style-type: none"> Manetele de blocare de pe șinele laterale și/sau pârghiile de eliberare rapidă nu sunt fixate. 	<ul style="list-style-type: none"> Asigurați-vă că butoanele de blocare de pe șinele laterale sunt complet strânse și că manetele de eliberare rapidă sunt complet închise.
Suflanta pentru zăpadă nu pornește.	<ul style="list-style-type: none"> Încărcarea acumulatorului este redusă. Melcul este înghețat de zăpadă sau gheață. Pachetul de baterii este supra-încălzit. Indicatorul cu LED de pe acumulator luminează intermitent în portocaliu sau devine roșu (consultați secțiunea „PROTECȚIA ÎMPOTRIVA SUPRĂÎNCĂLZIRII ACUMULATORULUI” din acest manual). S-au făcut pași incorecți pentru a porni suflanta de zăpadă. Defect neidentificat. 	<ul style="list-style-type: none"> Încărcați setul de acumulatori. Îndepărtați mai întâi pachetul (pachetele) de baterii, apoi folosiți o unealtă de curățare pentru a îndepărta zăpada sau gheața care obstrucționează melcul. Reinstalați acumulatorii și reporniți suflanta pentru zăpadă. Scoateți pachetul (pachetele) de baterii supraîncălzit(e) din suflanta de zăpadă și așteptați până când pachetul (pachetele) de baterii se răcește (răcesc) la aproximativ 67°C. Reinstalați acumulatorii și reporniți suflanta pentru zăpadă. (1) Apăsați butonul de siguranță până când indicatorul de alimentare clipește în verde. (2) Cu butonul apăsat, trageți maneta întrerupătoare în sus pentru a întâlni mânerul principal. Contactați centrul de service EGO pentru reparații.
Motorul este pornit, dar melcul nu se rotește.	<ul style="list-style-type: none"> Cureaua de transmisie este uzată sau ruptă. 	<ul style="list-style-type: none"> Contactați centrul de service EGO pentru reparații.
După ce trece, suflanta de zăpadă lasă un strat de zăpadă pe sol.	<ul style="list-style-type: none"> Bara de răzuire este uzată. 	<ul style="list-style-type: none"> Înlocuiți barei de răzuire urmând instrucțiunile din secțiunea „ÎNLOCUIREA BAREI DE RĂZUIRE” din acest manual.
Suflanta de zăpadă aruncă mai puțină zăpadă.	<ul style="list-style-type: none"> Paletele de cauciuc sunt uzate. Este posibil ca turația burghiului să fie prea mică. 	<ul style="list-style-type: none"> Înlocuiți padelele de cauciuc urmând secțiunea „ÎNLOCUIREA PALETELOR DE CAUCIUC” din acest manual. Măriți viteza burghiului.

PROBLEMĂ	CAUZĂ	SOLUȚIE
Melcul nu reușește să aibă tracțiune și este nevoie de un efort suplimentar pentru a împinge mașina de curățat zăpada înainte.	<ul style="list-style-type: none">Șuruburile de cauciuc sunt uzate.	<ul style="list-style-type: none">Înlocuiți melcii de cauciuc conform secțiunii "ÎNLOCUIREA MELCILOR DE CAUCIUC" din acest manual.

GARANȚIE

POLITICA PRIVIND GARANȚIA EGO

Vă rugăm să consultați site-ul egopowerplus.com pentru termenii și condițiile complete ale politicii privind garanția EGO.

PREBERITE VSA NAVODILA!



PREBERITE UPORABNIŠKI PRIROČNIK.

VARNOSTNI SIMBOL

Delovanje katerega koli električnega orodja lahko povzroči metanje tujkov v vaše oči, kar lahko povzroči resne poškodbe očesa. Pred začetkom dela z električnim orodjem vedno nosite zaščitna očala ali varnostna očala s stranskimi zaščitami in po potrebi tudi ščit za celoten obraz. Priporočamo vam uporabo varnostne maske Wide Vision Safety Mask za uporabo preko očal ali standardnih varnostnih očal s stransko zaščito.



Varnostno opozorilo



Za zmanjšanje nevarnosti telesnih poškodb je pomembno, da uporabnik pred uporabo tega izdelka prebere priročnik za uporabo in se z njim seznani.



Pri upravljanju tega izdelka vedno nosite zaščitna očala ali varnostna očala s stransko zaščito in ščitnik za obraz.



Žleba ne odmašite z rokami.



POZOR: Ne zrite v sijalko za prikaz delovanja.



Roke in noge držite stran.



Z nogami se ne približuje vrtečemu se rotorju.



Zagotovljena raven zvočne moči Emisije hrupa v okolico so v skladu z direktivo Evropske skupnosti.



Odpadnih električnih izdelkov ne odlagajte med gospodinjne odpadke. Odnosite jih v pooblaščen obrat za recikliranje.



Ta izdelek je skladen z veljavnimi direktivami ES.



Enosmerni tokovi



Ta izdelek je skladen z veljavno zakonodajo VB.

IPX4 Stopnja zaščite pred vdorom vode

V Volt


cm centimetri

m Meter

kg Kilogram

SL

TEHNIČNI PODATKI

Napetost	56 V 	
Širina čiščenja	520 mm	
Višina zajemanja	330 mm	
Razdalja izmeta	Do 14 m	
Velikost kolesa	178 mm	
Priporočena obratovalna temperatura	- 20°C - 10°C	
Temperatura za shranjevanje	- 20°C - 70°C	
Teža (brez baterijskega sklopa)	27 kg	
Izmerjena raven zvočne moči L_{WA}	96 dB(A) K=1,8 dB(A)	
Raven zvočnega tlaka v ušesu upravljavca L_{PA}	80 dB(A) K=4 dB(A)	
Zajamčena raven zvočnega tlaka L_{WA} (izmerjena v skladu z Direktivo 2000/14/ES)	98 dB(A)	
Vrednotenje oddajanja vibracij a_v :	Levi ročaj	1,3 m/s ² K=1,5 m/s ²
	Desni ročaj	1,3 m/s ² K=1,5 m/s ²

SL

- Nazivna skupna vrednost tresljajev je bila izmerjena v skladu s standardno preskusno metodo in jo je mogoče uporabiti za primerjavo enega orodja z drugim.
- Nazivno skupno vrednost tresljajev je mogoče uporabiti tudi za predhodno oceno izpostavljenosti.

OPOMBA: Oddajanje tresljajev med dejansko uporabo električnega orodja se lahko razlikuje od nazivne vrednosti, v kateri se uporablja orodje. Upravljavec se lahko zaščiti tako, da uporablja rokavice in naušnike, primerne dejanskim pogojem uporabe.

PRIPOROČENI DODATKI

⚠ OPOZORILO: Naslednji deli se zaradi normalne uporabe lahko obrabijo. Uporabite samo identične nadomestne dele, ki so navedeni spodaj. Uporaba delov, ki ne izpolnjujejo zahtev originalne opreme, lahko vodi k neprimernemu delovanju in ogroženi varnosti.

IME DELA	ŠTEVILKA MODELA
Komplet gumijaste lopatice in gumijastega polža	ARP2120
Strgalna letev	ASS2120

OPIS

SPOZNAJTE SVOJO SNEŽNO FREZO (slika A1 do A3)

1. Glavni ročaj
2. Varnostno stikalo (vzvod stikala)
3. Indikator napajanja
4. Dvižni ročaj
5. Ročica za hitro sprostitvev
6. Pokrov prostora za baterije
7. Kolo (x2)
8. Pokrov pogonskega jermena
9. Sestav polža
10. LED žarometi
11. Deflektor žleba
12. Ročaj deflektorja žleba
13. Rotacijski ročaj žleba
14. Imbusni ključ
15. Regulator hitrosti polža
16. Stikalo za LED žaromete
17. Varnostni gumb
18. Gumb za sprostitvev akumulatorja
19. Gumb za zaklep
20. Zapah
21. Mehanizem za izmet
22. Električni kontakt

VSEBINA PAKETA (SLIKA A1)

SESTAVLJANJE

RAZPIRANJE STRANSKIH TIRNIC

1. Vaša snežna freza je dobavljena s stranskimi tirnicami v zloženem, zaklenjenem položaju (slika B1).
2. Odprite ročici za hitro sprostitvev na obeh straneh in nežno obračajte stranski tirnici navzgor, dokler se ne ustavita (sliki B2 in B3).

3. Zaprite ročici za hitro sprostitvev in nato privijte zaklepne gumbe (slika B4).

NAMEŠČANJE ŽLEBA

1. S priloženim šestrobim ključem odvijte in odstranite dva kompleta vijakov in podložk na dnu žleba (slika C1).

C1-1	Dno žleba
------	-----------

2. Poravnajte uture žleba z rezo na dnu žleba in nato potisnite žleb na mesto (slika C2).

C2-1	Utor žleba	C2-2	Reža na dnu žleba
------	------------	------	-------------------

3. Uporabite priloženi imbus ključ, da zaklenete žleb na mestu z dvema kompletoma vijakov in podložk (slika C3).

UPRAVLJANJE

PRIKLJUČITEV/ODKLOP BATERIJSKEGA SKLOPA

Uporabljajte samo z baterijskimi sklopi in polnilniki EGO, navedenimi na sliki A4.

Za več podrobnosti glejte ustrezne priročnike za baterijske sklope in polnilnike.

Pred prvo uporabo baterijo popolnoma napolnite.

1. Dvignite pokrov prostora za baterije tako, da dvignete sprednji del pokrova (slika D1).
2. **Za namestitev** poravnajte rebra baterije z režami za namestitev in pritisnite baterijski sklop navzdol, da zaslišite „klik“. Namestite drugo baterijo. (Slika D2)
3. **Za odstranitev** pritisnite gumb za sprostitvev baterije in izvlecite baterijski sklop (slika D3).

D3-1	Gumb za sprostitvev baterije
------	------------------------------

4. Zaprite pokrov prostora za baterije.

ZAGON/ZAUSTAVITEV SNEŽNE FREZE

OPOMBA: Snežne freze ne vklaplajate in izklaplajate hitro.

Za zagon snežne freze

1. V snežno frezo namestite baterijski sklop in zaprite pokrov baterije.
2. **VKLOPITE** snežno frezo tako, da pritisnete varnostni gumb.
3. Ko je varnostni gumb pritisnjen, povlecite varnostno stikalo navzgor, da doseže glavni ročaj (slika E1).

E1-1	Varnostni gumb	E1-2	Varnostno stikalo
------	----------------	------	-------------------

4. Ko se polž zažene, spustite varnostni gumb in začnite z uporabo (slika E2).
5. **Za pomikanje naprej** dvignite glavni ročaj, da se sklop polža dotakne tal (slika E3). Vlečna sila polža bo pomagala pri premikanju snežne freze naprej.

E3-1	Normalni delovni položaj	E3-2	Pogonski položaj polža
E3-3	Sklop polža v stiku s tlemi		

OPOMBA: Če je temperatura baterije -20°C ali manj, se snežna freza morda ne bo pravilno zagnala. Če se snežna freza ne zažene, odstranite baterijo iz snežne freze in počakajte 10 minut ali več, da se v notranjem prostoru segreje. Znova vstavite baterijo in poskusite znova.

Za ustavitvev snežne freze

1. Popolnoma sprostitvev varnostno stikalo (slika E4).

E4-1	Varnostni gumb (popolnoma sproščen)	E4-2	Varnostno stikalo (popolnoma sproščeno)
------	-------------------------------------	------	---

2. Električna zavora v samodejnem zavornem mehanizmu bo ustavila vrtenje polža, ko sprostitvev varnostno stikalo.

Sistem s spremenljivo hitrostjo polža (slika E5)

1. Za povečanje hitrosti polža premaknite regulator hitrosti polža stran od upravljalca.
2. Za zmanjšanje hitrosti premaknite regulator hitrosti polža proti upravljalcu.

LED žarometi (slika E6)

1. Za vklop žarometov pritisnite stikalo LED žarometov. Žarometi razsvetljujejo območje pred snežno frezo.
2. Če želite izklopiti žaromete, ponovno pritisnite stikalo LED žarometov.

OPOMBA: LED žarometi se bodo samodejno izklopili, ko bo snežna freza 5 minut neaktivna, da ohranijo napolnjenost baterije.

NASTAVITEV ŽLEBA

Smer odstranjevanja snega je nastavljiva do 180° (slika E7).

E7-1	Rotacijski ročaj žleba	E7-2	Žleb
------	------------------------	------	------

1. Rotacijski ročaj žleba potisnite naprej, da žleb zavrtite v levo.

2. Rotacijski ročaj žleba potisnite nazaj, da žleb zavrtite v desno.

Odmetna razdalja snežne freze je delno določena s kotom naklona deflektorja žleba (slika E8).

E8-1	Sprožilac	E8-2	Deflektor žleba
------	-----------	------	-----------------

- Če želite povečati razdaljo odmetavanja snega, stisnite sprožilac na ročaju deflektorja žleba in nato dvignite deflektor žleba. Sprostite sprožilac na ročaju deflektorja žleba, da zaklenete deflektor žleba na mestu.
- Za povečanje ali pomanjšanje razdalje izmetavanja snega spustite deflektor s pomočjo ročaja deflektorja žleba.

ČIŠČENJE ZAMAŠENEGA ŽLEBA

- Ugasnite motor in polža!
- Iz snežne freze odstranite baterijski(-e) sklop(-e).
- Počakajte, da se polž neha vrteti.
- Vedno uporabljajte orodje za čiščenje, kot je lesena palica ali drugo orodje za čiščenje, ki je na voljo v prosti prodaji; ne uporabljajte svoje roke.

INDIKATOR NAPAJANJA NA SNEŽNI FREZI

Indikator napajanja bo zasvetil samo, ko se snežna freza zažene.

INDIKATOR NAPAJANJA	POMEN	DELOVANJE
Utripa zeleno	Varnostni gumb je pritisnjen in snežna freza je vklopljena in pripravljena za delo. Vsak vstavljen sklop baterije je napolnjen vsaj 15 %.	N/V
Sveti zeleno	Snežna freza deluje pravilno, stanje napoljenosti vsake baterije je vsaj 15 %.	N/V
Utripa rdeče	Raven napoljenosti baterijskega sklopa je nizka. Polž se ne vrti, lahko pa so LED žarometi za kratek čas prižgani.	Ustavite snežno frezo in napolnite baterijski(-e) sklop(-e).

Sveti oranžno	Snežna freza se pregreva.	Ustavite snežno frezo in počakajte nekaj časa, da se stroj ohladi.
Utripa oranžno	Snežna freza je preobremenjena.	Odstranite baterijske sklope. Preverite in očistite morebitni sneg, ki se je nabral pod polžem ali v njem. Med delom upočasnite tempo ali zmanjšajte širino površine, na kateri odstranjujete sneg.
Izmenično utripa rdeča in zelena	Napaka v komunikaciji.	Za popravilo stopite v stik s servisnim centrom EGO.
Ni indikacije	Če indikator LED na eni ali obeh sklopih baterije utripa oranžno ali sveti rdeče, so baterije pregrete.	Ustavite snežno frezo in počakajte, da se sklop baterije ohladi.
	Druge napake: stikalo, luč itd.	Za popravilo stopite v stik s servisnim centrom EGO.

ZAŠČITA PRED PREOBREMENITVIJO NA SNEŽNI FREZI

Da preprečite preobremenitev, ne poskušajte odstraniti preveč snega naenkrat. Upočasnite tempo ali zmanjšajte širino površine, na kateri odstranjujete sneg.

Vaša snežna freza ima vgrajene elemente za zaznavanje preobremenitve. Če je snežna freza preobremenjena, motor samodejno zniža hitrost in zaslišite zvok znižane hitrosti motorja. V primeru preobremenitve upočasnite tempo ali zmanjšajte širino površine, na kateri odstranjujete sneg, zatem se bo hitrost motorja samodejno vrnila na normalno nastavitve. Če s to rešitvijo ne odpravite težave s preobremenitvijo, senzor samodejno izklopi motor, indikator LED na snežni frezi pa utripa oranžno. Iz snežne freze odstranite baterijski(-e) sklop(-e). Preverite, ali je sneg ali led obtičal v polžu in pokrovu, in jih po potrebi odstranite s

čistilnim orodjem. Znova vstavite baterijske sklope in znova zaženite snežno frezo.

ZAŠČITA BATERIJE PRED VISOKO TEMPERATURO

Če temperatura baterije med delovanjem preseže 70 °C, bo temperaturno zaščitno vezje takoj izklopilo snežno frezo, da zaščiti baterijski sklop pred poškodbami zaradi pregrevanja. Indikator napajanja na snežni frezi bo svetil oranžno in lučka LED na bateriji bo utripala oranžno ali svetila rdeče. Za več informacij o indikatorju LED na sklopu baterije glejte razdelek „ZAŠČITA BATERIJE“ v priročniku za uporabo baterije.

Sprostite varnostno stikalo in počakajte, da se pregret baterijski sklop ohladi in lučka indikatorja LED na bateriji zasveti zeleno, nato ponovno zaženite snežno frezo.

Da preprečite izklop zaradi zaščite pred visoko temperaturo baterije, ne poskušajte uporabiti ene baterije za napajanje snežne freze, ko globina nabranega snega presega 76 mm ali ko je sneg zelo moker ali leden. Priporočamo uporabo dveh baterij, ki delujeta hkrati. To pomaga pri doseganju najvišje moči snežne freze.

Ko se aktivira zaščita pred visoko temperaturo, upočasnite tempo in zožite širino snežnega pasu, da zmanjšate obremenitev baterije.

VZDRŽEVANJE

⚠ OPOZORILO: Prepričajte se, da ste izklopili enoto in odstranili baterijske sklope, preden opravite kakršno koli vzdrževalno nalogo na vaši snežni frezi.

SPLOŠNO VZDRŽEVANJE

Pri čiščenju plastičnih delov ne uporabljajte topil. Večina vrst plastike se lahko pri uporabi različnih komercialnih topil poškoduje. Umazanijo, prah, olje, maščobe itd. odstranite s čisto krpo.

MAZANJE STROJA

Vsi ležaji tega izdelka so namazani s količino visokokakovostnega maziva, ki zadostuje za vso življenjsko dobo enote v normalnih delovnih pogojih. Zato nadaljnje mazanje ležajev ni zahtevano.

ZAMENJAVA STRGALNE LETVE

Potrebna orodja (niso vključena):

- Odprti obročni ključ (8 mm)
- Izvijač T20 Torx

1. Strgalo se nahaja na dnu pokrova snežne freze, pod polžem (slika F1).

F1-1	Strgalna letev
------	----------------

2. Obrnite snežno frezo na stran (slika F2).
3. Nosite rokavice. Odstranite 5 kompletov matic, vzmetnih podložk in vijakov z zunanje strani ter odstranite 2 vijaka Torx z notranje strani. Odstranite obrabljeno strgalo (slika F2).

F2-1	Zunanja matica (x5)	F2-2	Vijak Torx (x2)
------	---------------------	------	-----------------

4. Pritrdite novo strgalo in vstavite 2 vijaka Torx (slika F3).

F3-1	Notranja luknja (x2)	F3-2	Strgalo (svetleča površina obrnjena navznoter)
F3-3	Vijak Torx (x2)		

5. Vstavite 5 vijakov in jih zategnite z vzmetnimi podložkami in maticami (sliki F4 in F5).

F5-1	Matica	F5-2	Vzmetna podložka
F5-3	Pokrov	F5-4	Strgalna letev
F5-5	Somik		

ZAMENJAVA GUMIJASTIH LOPATIC IN GUMIJASTIH POLŽOV

Za zamenjavo gumijastih lopatic: (sl. G1).

G1-1	Gumijaste lopatice	G1-2	2 kompleta vijakov in matic na vsaki lopatici (skupaj 4 kompleti)
------	--------------------	------	---

SL

Potrebna orodja (niso vključena):

- Ploščati izvijač
- Odprti obročni ključ (10 mm)

1. Nosite rokavice. Ročno zavrtite jeklenega polža v ustrezen položaj za enostavno razstavljanje gumijaste lopatice.
2. Odstranite vse pritrdilne vijake in matice, da odstranite gumijaste lopatice.
3. Zamenjajte jih z novimi gumijastimi lopaticami in jih dobro zategnite.

Za zamenjavo gumijastih polžev (slika G2)

G2-1	Gumijasti polž (x4)	G2-2	1 komplet vijakov, podložk in matic na vsakem polžu (skupaj 4 kompleti)
------	---------------------	------	---

G2-3	2 kompleta vijakov in matic na vsakem polžu (skupaj 8 kompletov)
------	--

I-1	Območje dviganja	I-2	Dvižni ročaj
-----	------------------	-----	--------------

Potrebna orodja:

- Odprti obročni ključ (13 mm) (ni priložen)
 - 5-mm imbus ključ (priložen)
1. Nosite rokavice. Ročno obrnite jekleni polž v ustrezen položaj za enostavno razstavljanje gumijastega polža.
 2. Odstranite vse pritrdilne vijake in maticе, da odstranite gumijaste polže.
 3. Zamenjajte jih z novimi gumijastimi polži in jih dobro zategnite.

SHRANJEVANJE SNEŽNE FREZE

- Odstranite baterijske sklope in jih shranite na varno mesto, nedosegljivo otrokom.

Pred shranjevanjem obrišite morebitno vlago, umazanijo ali ostanke iz prostora za baterije in okoli njega.

- Snežno frezo obrišite s čisto, suho krpo.
- Preverite trdnost vseh matic, sornikov, gumbov, vijakov itd.
- Premične dele pregledite glede poškodb, loma in obrabe. Vse poškodovane ali manjkajoče dele popravite.
- Stranske tirnice zložite v položaj za shranjevanje.
- Snežno frezo shranite v čist, suh, zaprt prostor, ki je zunaj dosega otrok.
- Ne shranjujte je v bližini korozivnih materialov, kot so gnojila ali kamena sol.

SL

ZLAGANJE STRANSKIH TIRNIC

1. Potisnite ročaj za vrtenje žleba do konca naprej, tako da je žleb obrnjen v levo, kar bo zagotovilo, da pri zlaganju ne bo motenj. Stisnite sprožilec na ročaju deflektorja žleba, da ga nagnete do konca navzdol (slika H1).
2. Odprite ročici za hitro sprostitvev na obeh straneh, da zložite stranske tirnice v položaj za shranjevanje (slika H2).

DVIGANJE IN NOŠENJE SNEŽNE FREZE

1. Odstranite baterijske sklope.
2. Zložite stranske tirnice, kot je opisano v prejšnjem poglavju.
3. Dvignite in prenašajte eno tako, da z eno roko zgrabite ročaj za dviganje, z drugo roko pa dvignite za območje dviganja na vrhu odprtine za zajemanje snega (desno pod logotipom EGO) (slika I).

VAROVANJE OKOLJA



Odpadna električna in elektronska oprema: električne opreme, rabljenega akumulatorja in polnilnika ne odvrzite med gospodinjске odpadke. Izdelek odnesite v pooblaščen obrat za recikliranje in ga zavrzite ločeno.

Električna orodja je treba odnesti na obrat za recikliranje in ga reciklirati na okolju prijazen način.

ODPRAVLJANJE TEŽAV

TEŽAVA	VZROK	REŠITEV
Stranske tirnice ne ostanejo na mestu.	<ul style="list-style-type: none"> Zaklepni gumbi na stranskih tirnicah in/ali ročice za hitro sprostitvev niso pritrjeni. 	<ul style="list-style-type: none"> Prepričajte se, da so zaklepni gumbi na stranskih tirnicah popolnoma zategnjeni in da so ročice za hitro sprostitvev popolnoma zaprte.
Snežna freza se ne zažene.	<ul style="list-style-type: none"> Napolnjenost baterije je nizka. Polž je zamrznil zaradi snega ali ledu. Baterijski sklop je pregret. Indikator LED na baterijskem sklopu utripa oranžno ali sveti rdeče (glejte razdelek „ZAŠČITA BATERIJE PRED VISOKO TEMPERATURO“ v tem priročniku). Nepravilen postopek za vklop snežne freze. Neidentificirana napaka. 	<ul style="list-style-type: none"> Napolnite baterijo. Najprej odstranite baterijske sklope, nato pa uporabite orodje za čiščenje, da očistite sneg ali led, ki ovirata polž. Znova vstavite baterijske sklope in znova zaženite snežno frezo. Odstranite pregrete baterijske sklope iz snežne freze in počakajte, da se baterijski sklopi ohladijo na približno 67°C. Znova vstavite baterijske sklope in znova zaženite snežno frezo. (1) Pritisnite varnostni gumb, da indikator napajanja začne utripati zeleno. (2) Ko je gumb pritisnjen, povlecite varnostno stikalo navzgor, da doseže glavni ročaj. Za popravilo stopite v stik servisnim centrom EGO.
Motor je vklopljen, toda polž se ne vrti.	<ul style="list-style-type: none"> Pogonski jermen je obrabljen ali zlomljen. 	<ul style="list-style-type: none"> Za popravilo stopite v stik servisnim centrom EGO.
Po prehodu snežna freza na tleh pusti plast snega.	<ul style="list-style-type: none"> Strgalna letev je obrabljena. 	<ul style="list-style-type: none"> Strgalnik zamenjajte v skladu z navodili v razdelku „ZAMENJAVA STRGALNE LETVE“ v tem priročniku.
Snežna freza meče manj snega.	<ul style="list-style-type: none"> Gumijaste lopatice so obrabljene. Hitrost polža je morda prenizka. 	<ul style="list-style-type: none"> Zamenjajte gumijaste lopatice v skladu z razdelkom „ZAMENJAVA GUMIJASTIH LOPATIC“ v tem priročniku. Povečajte hitrost polža.
Polž ne doseže vleke in potreben je dodaten napor, da potisnete snežno frezo naprej.	<ul style="list-style-type: none"> Gumijasti polži so obrabljeni. 	<ul style="list-style-type: none"> Zamenjajte gumijaste polže v skladu z navodili v razdelku „ZAMENJAVA GUMIJASTIH POLŽEV“ v tem priročniku.

SL



GARANCIJA

GARANCIJSKA POLITIKA DRUŽBE EGO

Za popolne pogoje garancijske politike družbe EGO obiščite spletno mesto egopowerplus.com.

SL

PERSKAITYKITE VISAS INSTRUKCIJAS!



PERSKAITYKITE NAUDOTOJO VADOVAS

SAUGOS SIMBOLIAI

Bet koks elektrinis įrankis naudojimo metu gali išsviesti šiukšles, kurios gali pataikyti į akis ir sunkiai jas sužaloti. Prieš pradėdami naudoti elektrinį įrankį, visada užsidėkite apsauginius akinius arba apsauginius akinius su šonine apsauga ir, jei reikia, visą veidą dengiantį skydelį. Rekomenduojame naudoti platų matymo lauką užtikrinančią apsauginę kaukę, dedamą ant akinių, arba standartinius apsauginius akinius su šonine apsauga.



Ispėjimas dėl saugos



Kad sumažintų susižalojimo pavojų, prieš naudodamas šį gaminį naudotojas turi perskaityti naudotojo vadovą ir įsitikinti, kad jį suprato.



Naudodami šį gaminį, visada užsidėkite apsauginius akinius arba apsauginius akinius su šonine apsauga ir visą veidą dengiantį skydelį.



Nenaudokite rankų latakui atkimšti.



DĖMESIO: įdėmiai nežiūrėkite į darbinį žibintą.



Nekiškite ardyn kojų ir rankų



Nekiškite kojų prie besisukančios sparnuotės



Garantuojamas garso galios lygis Triukšmo sklaida į aplinką atitinka Europos Bendrijos direktyvą.



Netinkamus naudoti elektrinius įrankius draudžiama išmesti kartu su būtinėmis atliekomis. Pristatyti įgaliotam perdirbėjui



Šis gaminys atitinka taikomas EB direktyvas.

LT



Nuolatinė elektros srovė



Šis gaminys atitinka taikomas JK direktyvas.

IPX4 Apsaugos nuo vandens patekimo laipsnis


V Voltai

cm Centimetrai

m Matuoklis

kg Kilogramai

TECHNINIAI DUOMENYS

Įtampa	56 V 	
Valomo tako plotis	520 mm	
Įtraukimo aukštis	330 mm	
Išmetimo atstumas	Iki 14 m	
Ratų dydis	178 mm	
Rekomenduojama darbo temperatūra	- 20°C - 10°C	
Laikymo temperatūra	- 20°C - 70°C	
Svoris (be akumulatoriaus)	27 kg	
Išmatuotas garso galios lygis L_{WA}	96 dB(A) K=1,8 dB(A)	
Garso slėgio lygis ties naudotojo ausimi L_{PA}	80 dB(A) K=4 dB(A)	
Garantuojamas garso galios lygis L_{WA} (išmatuotas pagal 2000/14/EB)	98 dB(A)	
Vibracijos vertė a_n :	Kairioji rankena	1,3 m/s ² K=1,5 m/s ²
	Dešinioji rankena	1,3 m/s ² K=1,5 m/s ²

- Nurodyta bendroji vibracijos vertė išmatuota taikant standartinį bandymo metodą, todėl pagal ją galima palyginti skirtingus įrankius.
- Nurodytą bendrąją vibracijos vertę taip pat galima naudoti pirminiam poveikio vertinimui.

PASTABA: Naudojant įrankį realiomis sąlygomis, sklaidžiamos vibracijos stiprumo vertė gali skirtis nuo nurodytos. Kad apsaugotų dirbdamas realiomis sąlygomis, naudotojas turi mūvėti pirštines ir naudoti klausos apsaugos priemonės.

REKOMENDUOJAMI PRIEDAI

⚠ ĮSPĖJIMAS: Toliau išvardytos dalys gali susidėvėti dėl įprasto naudojimo. Naudokite tik toliau išvardintas identiškas atsargines dalis. Naudojant dalis, kurios neatitinka originalios įrangos specifikacijų, traktoriukas gali netinkamai veikti ir kelti pavojų.

DALIES PAVADINIMAS	MODELIO NUMERIS
Guminių menčių ir guminių sraigčių rinkinys	ARP2120
Grandyklė	ASS2120

APRAŠYMAS

SNIEGO PŪSTUVO DALYS (A1 ir A3 pav.)

1. Pagrindinė rankena
2. Lankelis-jungiklis (jungiklio svirtis)
3. Maitinimo indikatorius
4. Pakėlimo rankena
5. Greito atleidimo svirtis
6. Akumulatoriaus skyriaus dangtelis
7. Ratukas (2 vnt.)
8. Pavaros diržo dangtelis
9. Sraigto mazgas
10. LED priekiniai žibintai
11. Latako kreiptuvus
12. Latako kreiptuvo rankena
13. Išmetimo vamzdžio sukimo rankena
14. Šešiabriaunis veržliaraktis
15. Sraigto greičio ratukas
16. LED priekinių žibintų jungiklis
17. Apsauginis mygtukas
18. Akumulatoriaus atjungimo mygtukas
19. Užrakto rankenėlė
20. Fiksatorius
21. Išstūmimo mechanizmas
22. Elektrinis kontaktas

PAKUOTĖS TURINIO SĄRAŠAS (A1 PAV.)

SURINKIMAS

ŠONINIŲ BĖGELIŲ IŠSKLEIDIMAS

1. Jūsų sniego pūstuvus tiekiamas su šoniniais bėgeliais sulankstytoje užrakintoje padėtyje (B1 pav.).
2. Atidarykite greito atleidimo svirtis iš abiejų pusių ir švelniai pasukite šoninius bėgelius aukštyn, kol jie sustos (B2 ir B3 pav.).
3. Uždarykite greito atleidimo svirtis ir priveržkite užrakto rankenėles (B4 pav.).

LATAKO MONTAVIMAS

1. Naudokite pridedamą šešiakampį veržliaraktį, kad atlaisvintumėte ir pašalintumėte du varžtų ir poveržlių rinkinius latako pagrindu (C1 pav.).

C1-1	Latako pagrindas
------	------------------

2. Sulygiuokite latako griovelius su latako pagrindo anga, tada stumkite lataką į vietą (C2 pav.).

C2-1	Latako griovelis	C2-2	Anga ant latako pagrindo
------	------------------	------	--------------------------

3. Naudokite pridedamą šešiakampį veržliaraktį, kad užfiksuotumėte lataką vietoje su dviem varžtų ir poveržlių rinkiniais (C3 pav.).

DARBAS

AKUMULATORIAUS ĮSTATYMAS IR IŠĖMIMAS

Naudokite tik A4 pav. išvardintus EGO akumulatorius ir įkroviklius.

Daugiau informacijos rasite atitinkamuose akumuliatorių ir įkroviklių vadovuose.

Prieš naudodami akumuliatorių pirmą kartą, visiškai jį įkraukite.

1. Pakelkite akumulatoriaus skyriaus dangtį pakeldami dangtelio priekį (D1 pav.).
2. Kad įstatytumėte akumuliatorių, sulygiuokite jo iškyšas su tvirtinimo angomis ir spauskite akumuliatorių žemyn, kol išgirsite spragtelėjimą (M pav.). Prijunkite kitą akumuliatorių. (D2 pav.)
3. Kad išimtumėte akumuliatorių, paspauskite akumulatoriaus atjungimo mygtuką ir akumuliatorių ištraukite (D3 pav.).

D3-1	Akumulatoriaus atjungimo mygtukas
------	-----------------------------------

4. Uždarykite akumulatoriaus skyriaus dangtį.

SNIEGO PŪSTUVO PALEIDIMAS IR SUSTABDYMAS

PASTABA: išjungę sniego pūstuvą nbandykite iš karto vėl jį įjungti.

Sniego pūstuvo paleidimas

1. Įstatykite akumuliatorių (-ius) į sniego pūstuvą ir uždarykite akumulatoriaus skyriaus dangtelį.
2. Įjunkite sniego pūstuvą nuspausdami saugos mygtuką.

3. Nuspaudę saugos mygtuką, patraukite lankelį-jungiklį aukštyn, kad jis pasiektų pagrindinę rankeną (E1 pav.).

E1-1	Saugos mygtukas	E1-2	Lankelis-jungiklis
------	-----------------	------	--------------------

4. Kai sraigas įsijungia, atleiskite saugos mygtuką ir pradėkite darbą (E2 pav.).
5. **Norėdami judėti į priekį**, pakelkite pagrindinę rankeną, kad sraigto mazgas paliestų žemę (E3 pav.). Sraigto traukos jėga padės sniego pūstuvui judėti į priekį.

E3-1	Įprasta veikimo padėtis	E3-2	Sraigto varomoji padėtis
E3-3	Sraigto mazgas liečiasi su žeme		

PASTABA: Sniego pūstuvo gali nepavykti tinkamai paleisti, jei jo akumulatoriaus temperatūra yra žemiau -20°C . Jeigu sniego pūstuvo nepavyksta paleisti, išimkite iš jo akumuliatorių ir palaikykite patalpoje bent 10 minučių, kad atšiltų. Įstatykite akumuliatorių ir bandykite dar kartą. Sniego pūstuvo sustabdymas

1. Visiškai atleiskite lankelį-jungiklį (E4 pav.).

E4-1

E4-1	Saugos mygtukas (visiškai atleistas)	E4-2	Lankelis-jungiklis (visiškai atleistas)
------	--------------------------------------	------	---

2. Automatinio stabdymo mechanizmo elektrinis stabdys sustabdys sraigto sukimąsi, kai bus atleistas lankelis-jungiklis.

LT

Kintamo sraigto greičio sistema (E5 pav.)

1. Norėdami padidinti sraigto greitį, pastumkite sraigto greičio ratuką nuo operatoriaus.
2. Norėdami sumažinti greitį, pastumkite sraigto greičio ratuką link operatoriaus.

LED priekiniai žibintai (E6 pav.)

1. Norėdami įjungti priekinius žibintus, paspauskite LED priekinių žibintų jungiklį. Priekiniai žibintai ryškiai apšviečia zoną sniego pūstuvo priekyje.
2. Norėdami išjungti priekinius žibintus, dar kartą paspauskite LED priekinių žibintų jungiklį.

PASTABA: LED priekiniai žibintai automatiškai išsijungs, kai sniego pūstovas 5 minutes bus neaktyvus, kad būtų taupoma akumulatoriaus įkrova.

LATAKO REGULIAVIMAS

Sniego valymo kryptį galima reguliuoti iki 180° (E7 pav.).

E7-1	Latako sukimo rankena	E7-2	Latakas
------	-----------------------	------	---------

1. Latako sukimo rankeną stumkite pirmyn, kad lataką pasuktumėte į kairę.
2. Latako sukimo rankeną patraukite atgal, kad lataką pasuktumėte į dešinę.

Sniego pūstuvo metimo atstumą iš dalies lemia latako kreiptuvo nuolydžio kampas (E8 pav.).

E8-1	Jungiklis	E8-2	Latako kreiptuvas
------	-----------	------	-------------------

1. Jei norite padidinti sniego išmetimo atstumą, paspauskite jungiklį ant latako kreiptuvo rankenos ir pakelkite latako kreiptuvą. Atleiskite jungiklį ant latako kreiptuvo rankenos, kad užfiksotumėte latako kreiptuvą.
2. Jei norite sumažinti sniego išmetimo atstumą, tiesiog nuleiskite kreiptuvą su latako kreiptuvo rankena.

UŽKIMŠTO LATAKO VALYMAS

1. Išjunkite variklį ir sraigatą!
2. Išimkite iš sniego pūstuvo akumuliatorių (-ius).
3. Palaukite, kol sraigtas nustos sukstis.
4. Visada naudokite valymo įrankį, pvz., medinį strypą arba kitus komercinius valymo įrankius; nevalykite ranka.

LT

SNIEGO PŪSTUVO GALIOS INDIKATORIUS

Maitinimo indikatorius užsideds tik įjungus sniego pūstavą.

MAITINIMO INDIKATORIUS	REIKŠMĖ	VEIKSMAS
Mirksi žalias	Nuspaustas saugos mygtukas, sniego pūstavas įjungtas ir paruoštas darbui. Kiekvieno akumuliatoriaus įkrovos lygis ne mažesnis nei 15 %.	Nėra

Dega žalias	Sniego pūstavas veikia tinkamai, kiekvieno akumuliatoriaus įkrovos lygis ne mažesnis nei 15 %.	Nėra
Mirksi raudonas	Akumuliatoriaus (-ių) įkrovos lygis yra žemas. Sraigtas nesisuka, tačiau LED žibintai gali būti įjungti trumpą laiką.	Sustabdykite sniego pūstavą ir įkraukite akumuliatorių (-ius).
Dega oranžinė spalva	Sniego pūstavas yra perkaitęs.	Sustabdykite sniego pūstavą ir palaukite, kol jis atvės.
Mirksi oranžinis	Sniego pūstavas perkrova.	Išimkite akumuliatorių (-ius). Patikrinkite ir išvalykite sniegą, kuris susikaupė po sraigto arba yra įstrigęs į sraigatą. Dirbdami sulėtinkite tempą arba sumažinkite sniego valymo trasos plotį.
Mirksi raudonas ir žalias pakaitomis	Ryšio gedimas.	Kreipkitės į EGO techninės priežiūros centrą, kad suremontuotų.
LED indikatorius	Jei vieno ar abiejų akumuliatorių LED indikatorius mirksi oranžine spalva arba šviečia raudonai, akumuliatorių (-iai) perkaista.	Sustabdykite sniego pūstavą ir leiskite akumuliatoriui atvėsti.
	Kiti gedimai: jungiklis, lemputė ir kt.	Kreipkitės į EGO techninės priežiūros centrą, kad suremontuotų.

SNIEGO PŪSTUVO APSAUGA NUO PERKROVOS

Kad išvengtumėte perkrovos, nebandykite vienu metu nuvalyti per daug sniego. Sulėtinkite tempą arba sumažinkite sniego valymo plotį.

Jūsų sniego pūstuve įmontuotas perkrovos jutiklis. Kai sniego pūstuvus yra perkrautas, variklis automatiškai sumažins greitį ir išgirsite variklio triukšmo lygio sumažėjimą. Perkrovos atveju sulėtinkite tempą arba susiaurinkite valymo plotį, tada variklio greitis automatiškai vėl taps įprastas. Jeigu šios priemonės nepadeda, jutiklis automatiškai išjungia variklį, o maitinimo indikatorius mirks oranžine spalva. Išimkite iš sniego pūstuvo akumuliatorių (-ius). Patikrinkite, ar sraigte ir platformoje nėra įstrigusio sniego ar ledo, ir naudokite valymo įrankį, kad prirėkum juos išvalytumėte. Įdėkite akumuliatorių (-ius) ir vėl paleiskite sniego pūstuvą.

AKUMULIATORIUS APSAUGA NUO PERKAITIMO

Jei darbo metu akumuliatorius temperatūra viršija virš 70 °C, apsaugos nuo aukštos temperatūros grandinė įrengini iš karto išjungia, kad apsaugotų akumuliatorių nuo sugadinimo perkaitus. Sniego pūstuvo maitinimo indikatorius bus išjungtas, o akumuliatoriuje esantis LED indikatorius mirksės oranžine spalva arba švies raudonai. Daugiau informacijos apie akumuliatorius LED indikatorius rasite naudotojo vadovo skyriuje „AKUMULIATORIUS APSAUGA“.

Atleiskite lankelį-jungiklį ir palaukite, kol perkaitęs (-ę) akumuliatorius (-iai) atvės ir užsidegs akumuliatoriaus LED indikatorius lemputė, tada iš naujo paleiskite sniego pūstuvą.

Norėdami išvengti išsijungimo dėl akumuliatoriaus apsaugos nuo aukštos temperatūros, nenaudokite vieno akumuliatoriaus sniego pūstuvui maitinti, kai susikaupusio sniego gylis viršija 76 mm arba kai sniegas yra labai šlapias ar sulėdėjęs. Rekomenduojame naudoti du akumuliatorius, veikiančius vienu metu. Taip pasiekama didžiausias sniego pūstuvo galia.

Suveikus apsaugai nuo aukštos temperatūros, sulėtinkite tempą ir susiaurinkite sniego valymo angos plotį, kad sumažintumėte akumuliatoriaus apkrovą.

PRIEŽIŪRA

⚠️ ĮSPĖJIMAS: Prieš atlikdami bet kokius sniego pūstuvo priežiūros darbus, būtinai išjunkite įrenginį ir išimkite akumuliatorių (-ius).

BENDROJI PRIEŽIŪRA

Valydami plastines dalis venkite naudoti tirpiklius. Įvairūs komerciniai tirpikliai gali pažeisti įvairių tipų plastiką ir jų naudoti nerekomenduojama. Purvą, dulkes, alyvą, tepalus ir t. t. valykite švaria šluoste.

ĮRENGINIO TĖPIMAS

Visi šio gaminio guoliai sutepti pakankamu aukštos kokybės tepimo priemonės kiekiu, kurio įprastomis darbo sąlygomis turi pakakti visam eksploatacijos laikotarpiui. Dėl to guolių daugiau tepti nereikia.

GRANDYKLĖS PAKEITIMAS

Reikalingi įrankiai (neprieddami):

- 8 mm veržliaraktis
- T20 žvaigždinis atsuktuvus

1. Grandyklė yra sniego pūstuvo platformos apačioje, po sraigto (F1 pav.).

F1-1	Grandyklė
------	-----------

2. Paverskite sniego pūstuvą ant šono (F2 pav.).
3. Mūvėkite pirštines. Iš išorės nuimkite 5 veržlių, spyruoklinių poveržlių ir varžtų rinkinius ir iš vidaus nuimkite 2 žvaigždinius varžtus. Nuimkite susidėvėjusią grandyklę (F2 pav.).

F2-1	Išorinė veržlė (x5)	F2-2	Žvaigždinis varžtas (x2)
------	---------------------	------	--------------------------

4. Pritvirtinkite naują grandyklę ir įkiškite 2 žvaigždinius varžtus (F3 pav.).

F3-1	Vidinė skylė (x2)	F3-2	Grandyklė (blizgiu paviršiumi į vidų)
F3-3	Žvaigždinis varžtas (x2)		

5. Įkiškite 5 varžtus ir priveržkite spyruoklinėmis poveržlėmis ir veržlėmis (F4 ir F5 pav.).

F5-1	Veržlė	F5-2	Spyruoklinė poveržlė
F5-3	Platforma	F5-4	Grandyklė
F5-5	Varžtas		

GUMINIŲ MENČIŲ IR GUMINIŲ SRAIGTŲ KEITIMAS

Norėdami pakeisti gumines mentes: (G1 pav.).

G1-1	Guminės metės	G1-2	2 varžtų ir veržlių rinkiniai ant kiekvienos mentės (iš viso 4 komplektai)
------	---------------	------	--

Reikalingi įrankiai (neprieddami):

- Plokščios galvutės atsuktuvus

LT

- 10 mm veržliaraktis
1. Mūvėkite pirštines. Rankiniu būdu pasukite plieninį sraigta į reikiamą padėtį, kad būtų lengva išardyti guminę mentę.
 2. Nuimkite visus tvirtinimo varžtus ir veržles, kad išimtumėte gumines mentes.
 3. Pakeiskite jas naujomis guminėmis mentėmis ir tvirtai priveržkite.

Norėdami pakeisti guminius sraigtus (G2 pav.)

G2-1	Guminis sraigtas (x4)	G2-2	1 varžtų, poveržlės ir veržlės rinkinys ant kiekvieno sraigto (iš viso 4 rinkiniai)
G2-3	2 varžtų ir veržlių rinkiniai ant kiekvieno sraigto (iš viso 8 rinkiniai)		

Reikalingi įrankiai:

- 13 mm veržliaraktis (nepridedamas)
 - 5 mm šešiakampis veržliaraktis (pridedamas)
1. Mūvėkite pirštines. Plieninis sraigtas rankiniu būdu pasukamas į reikiamą padėtį, kad būtų lengva išardyti guminį sraigta.
 2. Nuimkite visus tvirtinimo varžtus ir veržles, kad išimtumėte guminius sraigtus.
 3. Pakeiskite juos naujais guminiais sraigtais ir tvirtai priveržkite.

SNIEGO PŪSTUVO LAIKYMAS

- Išimkite akumuliatorių (-ius) ir laikykite saugioje vaikams neprieinamoje vietoje.

Prieš sandėliavimą nuvalykite drėgmę, nešvarumus ar šiukšles iš akumulatoriaus skyriaus ir aplink jį.

- Sniego pūstuvą nušluostykite švaria sausa šluoste.
- Patikrinkite visų veržlių, varžtų, rankenėlių ir pan. priveržimą.
- Patikrinkite judamas dalis, ar jos nepažeistos, nesulūžę ir nesudilę. Suremontuokite ar pakeiskite visas pažeistas ar trūkstamas dalis.
- Sulenkite šoninius bėgelius į laikymo vietą.
- Sniego pūstuvą laikykite švarioje, sausoje ir uždaroje vaikams neprieinamoje vietoje.
- Nelaikykite šalia išdinančių medžiagų, pvz., trąšų arba akmens druskos.

ŠONINIŲ BĖGIŲ SULANKSTYMAS

1. Stumkite lataką sukimosi rankeną iki galo į priekį taip, kad latakas būtų nukreiptas į kairę, taip bus užtikrinta, kad sulankstymo metu nebūtų jokių trukdžių.

Paspauskite jungiklį ant latakų kreiptuvo rankenos, kad pakreiptumėte jį iki galo žemyn (H1 pav.).

2. Atidarykite greito atleidimo svirtis iš abiejų pusių, kad sulankstytumėte šoninius bėgelius į laikymo padėtį (H2 pav.).

SNIEGO PŪSTUVO PAKĖLIMAS IR NEŠIMAS

1. Išimkite akumuliatorių (-ius).
2. Sulenkite šoninius bėgelius, kaip aprašyta ankstesniame skyriuje.
3. Pakelkite ir neškite įrenginį viena ranka paėmę už pakėlimo rankenos, o kita - už pakėlimo srities, esančios sniego traukimo angos viršuje (tiesiai po EGO logotipu) (I pav.).

I-1	Pakėlimo sritis	I-2	Pakėlimo rankena
-----	-----------------	-----	------------------

APLINKOS APSAUGA



Elektros ir elektroninės įrangos atliekos. Neišmeskite elektros įrangos, panaudotų akumuliatorių ir įkroviklio kartu su buitinėmis atliekomis! Šias atliekas reikia pristatyti į jų surinkimo vietą ar įgaliotam perdribėjui. Elektrinius įrankius reikia grąžinti į tokių atliekų perdribimo įmonę.

TRIKČIŲ ŠALINIMAS

PROBLEMA	PRIEŽASTIS	SPRENDIMAS
Šoniniai bėgeliai nepasilieka savo vietoje.	<ul style="list-style-type: none"> Šoninių bėgelių užrakto rankenėlės ir (arba) greito atleidimo svirtys nėra pritvirtintos. 	<ul style="list-style-type: none"> Išitikinkite, kad šoninių bėgelių užrakto rankenėlės yra visiškai priveržtos, o greito atleidimo svirtys yra visiškai uždarytos.
Sniego pūstuvo variklis neįsijungia.	<ul style="list-style-type: none"> Per maža akumulatoriaus įkrova. Sraigtas prišalo dėl sniego ar ledo. Akumulatorius perkaito. Mirksi oranžinis ar šviečia raudonas akumulatoriaus LED indikatorius (žr. šio vadovo skyrių „AKUMULIATORIAUS APSAUGA NUO PERKAITIMO“). Neteisingai atlikti sniego pūstuvo įjungimo veiksmai. Nenustatytas gedimas. 	<ul style="list-style-type: none"> Išimkite akumulatorių. Pirmiausia išimkite akumulatorių (-ius), po to valymo įrankiu išvalykite sraigto sukis trukdantį sniegą ir ledą. Įstatykite akumulatorių ir vėl paleiskite sniego pūstuvą. Išimkite perkaitusį (-ius) akumulatorių (-ius) iš sniego pūstuvo ir palaukite, kol akumulatorius (-iai) atvės iki maždaug 67 °C. Įdėkite akumulatorių (-ius) ir vėl paleiskite sniego pūstuvą. (1) Paspauskite saugos mygtuką, kol maitinimo indikatorius mirksi žaliai. (2) Nuspaudę mygtuką, patraukite lankelį-jungiklį aukštyn, kad jis pasiektų pagrindinę rankeną. Kreipkitės į EGO techninės priežiūros centrą, kad suremontuotų.
Variklis įjungtas, bet sraigtas nesisuka.	<ul style="list-style-type: none"> Pavaros diržas yra susidėvėjęs arba nutrūkęs. 	<ul style="list-style-type: none"> Kreipkitės į EGO techninės priežiūros centrą, kad suremontuotų.
Pravažiavus, sniego pūstuvą palieka sniego sluoksnis ant žemės.	<ul style="list-style-type: none"> Grandyklė susidėvėjusi. 	<ul style="list-style-type: none"> Pakeiskite grandyklę, kaip nurodyta šio vadovo skyriuje „GRANDYKLĖS KEITIMAS“.
Sniego pūstuvą išmeta mažiau sniego.	<ul style="list-style-type: none"> Guminės mentės yra susidėvėjusios. Sraigto greitis gali būti per mažas. 	<ul style="list-style-type: none"> Pakeiskite gumines mentes, kaip nurodyta šio vadovo skyriuje „GUMINIŲ MENČIŲ KEITIMAS“. Padidinkite sraigto greitį.
Sraigtas neturi traukos ir norint stumti sniego pūstuvą priekį reikia papildomų pastangų.	<ul style="list-style-type: none"> Guminiai sraigčiai yra susidėvėję. 	<ul style="list-style-type: none"> Pakeiskite guminius sraigtus, kaip nurodyta šio vadovo skyriuje „GUMINIŲ SRAIGTŲ KEITIMAS“.

LT



GARANTIJA

EGO GARANTIJOS TAISYKLĖS

Jei norite sužinoti visas EGO garantinių taisyklių sąlygas, apsilankykite interneto svetainėje egopowerplus.com.

LT

162

AKUMULIATORINIS SNIEGO PŪSTUVAS SU 56 VOLTŲ LIČIO JONŲ BATERIJA — SNT2120E-AP

IZLASIET VISUS NORĀDĪJUMUS!



IZLASIET LIETOTĀJA ROKASGRĀMATU

DROŠĪBAS APZĪMĒJUMS

Jebkura elektroinstrumenta lietošanas laikā acis var iekļūt svešķermeņi, kas var radīt smagu acu traumu. Pirms elektroinstrumenta ieslēgšanas vienmēr uzvelciet aizsargbrilles vai aizsargbrilles ar sānu aizsargiem un, ja nepieciešams, pilnu sejas aizsargmasku. Iesakām izmantot aizsargmasku ar plašu skata leņķi, ko uzvelk virs parastajām brillēm, vai arī standarta aizsargbrilles ar sānu aizsargiem.



Drošības brīdinājums



Lai mazinātu traumu rašanās bīstamību, pirms šī izstrādājuma lietošanas tā lietotājam jāizlasa un jāizprot lietošanas rokasgrāmata.



Šī izstrādājuma darbināšanas laikā vienmēr valkājiet aizsargbrilles vai aizsargbrilles ar sānu aizsargiem un pilnu sejas aizsargmasku.



Nemēģiniet iztīrīt aizsērējušos tekni ar rokām.



UZMANĪBU! Neskatīties tieši darba lampā.



Turēt rokas un kājas atstātus



Neturiet pēdas rotējoša lāpstņirata tuvumā



Garantētais skaņas intensitātes līmenis. Trokšņa emisija vidē atbilstoši Eiropas Kopienas direktīvai.



Elektrisko izstrādājumu atkritumus nedrīkst izmest kopā ar sadzīves atkritumiem. Nogādāt uz pilnvarotu pārstrādes punktu.



Šis izstrādājums atbilst piemērojamām EK direktīvām.

LV



Līdzstrāva



Šis izstrādājums atbilst piemērojamiem Apvienotās Karalistes tiesību aktiem.

IPX4 Aizsardzības pakāpe pret ūdens iekļūšanu

V Volti

cm Centimetri

m Mēritājs

kg Kilograms

SPECIFIKĀCIJAS

Spriegums	56 V	
Tīrīšanas darba platums	520 mm	
Ieplūdes augstums	330 mm	
Izmešanas attālums	Līdz 14 m	
Aizmugurējā riteņa izmērs	178 mm	
Ieteicamā darba temperatūra	-20°C līdz 10°C	
Uzglabāšanas temperatūra	-20°C līdz 70°C	
Svars (bez akumulatoru bloka)	27 kg	
Izmērītais skaņas intensitātes līmenis L_{WA}	96 dB(A) K=1,8 dB(A)	
Trokšņa spiediena līmenis pie lietotāja auss L_{PA}	80 dB(A) K=4 dB(A)	
Garantētais skaņas intensitātes līmenis L_{WA} (mērīts saskaņā ar 2000/14/EK)	98 dB(A)	
Vibrācijas ietekmes novērtējums a_{hv} :	Kreisais rokturis	1,3 m/s ² K=1,5 m/s ²
	Labais rokturis	1,3 m/s ² K=1,5 m/s ²

- Norādītā vibrāciju kopējā vērtība ir izmērīta saskaņā ar standarta pārbaudes metodi un var tikt izmantota, lai salīdzinātu vairākus instrumentus.
- Deklarēto vibrācijas emisijas vērtību var arī lietot iepriekšējai vibrāciju iedarbības novērtēšanai.

PIEZĪME! Vibrāciju emisijas faktiskajā elektroinstrumenta darbināšanas laikā var atšķirties no norādītās vērtības. Lai pasargātu operatoru, lietotājam jāvalkā cimdi un dzirdes aizsarglīdzekļi atbilstoši faktiskajiem darba apstākļiem.

IETEICAMIE PIEDERUMI

▲ BRĪDINĀJUMS! Tālāk norādītās daļas var noliegties parastos lietošanas apstākļos. Izmantojiet tikai identiskas, sarakstā norādītās rezerves daļas. Oriģinālā aprīkojuma specifikācijām neatbilstošu daļu izmantošana var radīt nepareizu plaujumašīnas darbību un apdraudēt jūsu drošību.

DAĻAS NOSAUKUMS	MODEĻA NUMURS
Gumijas lāpstīgu un gumijas spirālveida urbju komplekts	ARP2120
Skrāpis	ASS2120

APRAKSTS

IEPAZĪSTIET SAVU SNIEGA PŪTĒJU (A1 – A3 att.)

- Galvenais rokturis
- Drošības slēdzis (drošības svira)
- Jaudas indikators
- Pacelšanas rokturis
- Ātrās atbrīvošanas svira
- Akumulatoru nodalījuma vāciņš
- Ritenis (x2)
- Piedziņas siksnas pārsegs
- Spirālveida urbis
- LED priekšējās gaismas
- Teknes deflektors
- Teknes deflektora rokturis
- Teknes pagriešanas rokturis
- Sešskaldņu uzgriežņu atslēga
- Spirālveida urbja ātruma vadības poga
- LED priekšējo gaismu slēdzis
- Drošības poga
- Akumulatora atbrīvošanas poga
- Bloķēšanas rokturis
- Slēgmehānisms
- Izsviešanas mehānisms
- Elektriskais kontakts

IEPAKOJUMA SATURA SARAKSTS (A1 ATT.)

MONTĀŽA

ROKTURU SĀNU PAGARINĀJUMA ATLOCĪŠANA

- Sniega pūtējs tiek piegādāts ar rokturu sānu pagarinājumiem salocītā, atlocītā un bloķētā stāvoklī (B1 att.).
- Atveriet ātrās atbrīvošanas sviras abās pusēs un viegli pagrieziet rokturu sānu pagarinājumus uz augšu līdz galam (B2 un B3 att.).

3. Aizveriet ātrās atbrīvošanas sviras un pēc tam pieskrūvējiet fiksēšanas pogas (B4 att.).

TEKNES UZSTĀDĪŠANA

1. Izmantojiet komplektācijā iekļauto sešstūra uzgriežņu atslēgu, lai atskrūvētu un izņemtu no teknes pamatnes abus buitskrūvju un paplākšņu komplektus (C1 att.).

C1-1	Teknes pamatne
------	----------------

2. Salāgojiet teknes rievās ar teknes pamatnes spraugu un pēc tam iespiediet tekni uz iekšu (C2 att.).

C2-1	Teknes rievā	C2-2	Teknes pamatnes sprauga
------	--------------	------	-------------------------

3. Lai nostiprinātu tekni ar abiem skrūvju un paplākšņu komplektiem, izmantojiet komplektācijā iekļauto sešstūra uzgriežņu atslēgu (C3 att.).

EKSPLUATĀCIJA

AKUMULATORU BLOKA IEVIETOŠANA/IZŅEMŠANA

Izmantojiet kopā tikai ar A4 attēlā norādītajiem EGO akumulatoru blokiem un lādētājiem.

Sīkāku informāciju izlasiet attiecīgā akumulatoru bloka un lādētāja rokasgrāmatā.

Pirms pirmās lietošanas reizes akumulators ir pilnībā jāuzlādē.

1. Paceliet akumulatoru nodalījuma vāciņu aiz vāciņa priekšpusē (D1. att.).
2. **Lai ievietotu**, novietojiet akumulatora valnišus iepretim uzstādīšanas rievām un spiediet akumulatoru bloku uz leju, līdz dzirdat „klikšķa” skaņu. Ievietojiet otru akumulatoru bloku. (D2 att.)
3. **Lai izņemtu**, nospiediet akumulatora atbrīvošanas pogu un izņemiet akumulatoru bloku (D3 att.).

D3-1	Akumulatora atbrīvošanas poga
------	-------------------------------

4. Aizveriet akumulatora nodalījuma vāku.

SNIEGA PŪTĒJA IESLĒGŠANA/IZSLĒGŠANA

PIEZĪME! Neizslēdziet un neieslēdziet sniega pūtēju pārāk ātri.

Sniega pūtēja ieslēgšana

1. Piestipriniet akumulatoru bloku(-s) pie sniega pūtēja un aizveriet akumulatoru nodalījuma vāciņu.
2. Ieslēdziet sniega pūtēju, nospiežot drošības pogu.

3. Kamēr drošības poga ir nospiesta, pavelciet drošības slēdzi uz augšu, lai tas saskartos ar galveno rokturi (E1 att.).

E1-1	Drošības poga	E1-2	Drošības slēdzis
------	---------------	------	------------------

4. Tiklīdz ieslēdzas spirālveida urbis, atlaidiet drošības pogu un sāciet darbu (E2 att.).
5. **Lai virzītos uz priekšu**, paceliet galveno rokturi, lai spirālveida urbis saskartos ar zemi (E3 att.). Spirālveida urbja vilce palīdzēs virzīt sniega pūtēju uz priekšu.

E3-1	Parasta darbības pozīcija	E3-2	Spirālveida urbja piedziņas pozīcija
E3-3	Spirālveida urbis saskāries ar zemi		

PIEZĪME! Sniega pūtējs var nedarboties pareizi, ja tā akumulatora temperatūra nokrīt zem -20 °C grādiem vai zemāk. Ja iekārtu nevar ieslēgt, izņemiet akumulatoru no sniega pūtēja un vismaz uz 10 minūtēm ienesiet telpās, kur tas var uzsilt. Ielieciet atpakāļ akumulatoru un mēģiniet vēlreiz iedarbināt iekārtu. Sniega pūtēja izslēgšana

1. Atlaidiet pilnībā drošības slēdzi (E4 att.).

E4-1	Drošības poga (pilnībā atlaista)	E4-2	Drošības slēdzis (pilnībā atlaists)
------	----------------------------------	------	-------------------------------------

2. Elektriskā bremze automātiskajā bremžu mehānismā apstādina spirālveida urbja griešanos pēc drošības slēdža atlaišanas.

Mainīgā spirālveida urbja darbības ātruma sistēma (E5 att.).

1. Lai palielinātu spirālveida urbja ātrumu, pārvietojiet spirālveida urbja ātruma vadības pogu pretējā virzienā no operatora.
2. Lai samazinātu ātrumu, pārvietojiet spirālveida urbja ātruma vadības pogu operatora virzienā.

LED priekšējās gaismas (E6 att.)

1. Lai ieslēgtu priekšējās gaismas, nospiediet LED priekšējo gaismu slēdzi. Priekšējās gaismas sniega pūtēja priekšpusē deg spīlgtā gaismā.
2. Lai izslēgtu priekšējās gaismas, vēlreiz nospiediet LED priekšējo gaismu slēdzi.

PIEZĪME! Lai taupītu akumulatora uzlādi, LED priekšējās gaismas automātiski izslēgsies, ja sniega pūtējs būs neaktīvs 5 minūtes.

TEKNES NOREGULĒŠANA

Sniega tīrīšanas **virzienu** var noregulēt līdz 180° (E7 att.).

E7-1	Teknes pagriešanas rokturis	E7-2	Tekne
------	-----------------------------	------	-------

1. Lai pagrieztu tekni pa kreisi, pagrieziet teknes pagriešanas rokturi uz priekšu.
2. Lai pagrieztu tekni pa labi, pavelciet teknes pagriešanas rokturi atpakaļ.

Sniega pūtēja sniega **izmešanas attālumu** daļēji nosaka teknes deflektora slīpuma leņķis (E8. attēls).

E8-1	Ieslēgšanas slēdzis	E8-2	Teknes deflektors
------	---------------------	------	-------------------

1. Lai palielinātu sniega izmešanas attālumu, nospiediet teknes deflektora roktura slēdzi un pēc tam paceliet teknes deflektoru. Lai nofiksētu teknes deflektoru, atlaidiet teknes deflektora roktura slēdzi.
2. Lai samazinātu sniega izmešanas attālumu, vienkārši nolaidiet ar teknes deflektora rokturi deflektoru.

AIZSĒRĒJUŠAS TEKNES IZTĪRĪŠANA

1. Izslēdziet motoru un šneku!
2. Izņemiet no sniega pūtēja akumulatoru bloku(-s).
3. Pagaidiet, līdz spirālveida urbis ir pārtraucis griezties.
4. Vienmēr izmantojiet tīrīšanas rīku, piemēram, koka nūjiņu vai citus tirdzniecībā pieejamus tīrīšanas rīkus; netīriet ar plaukstu.

SNIEGA PŪTĒJA BAROŠANAS INDIKATORS

Barošanas indikators iedegas tikai tad, kad tiek iedarbināts sniega pūtējs.

BAROŠANAS INDIKATORS	SKAIDROJUMS	RĪCĪBA
Mirgo zaļā gaisma	Drošības poga ir nospiesta, sniega pūtējs ir ieslēgts un gatavs darbam. Uzlādes līmenis katram ievietotajam akumulatora blokam ir vismaz 15 %.	N/A

Deg zaļā krāsā	Sniega pūtējs darbojas pareizi, un uzlādes līmenis katram akumulatoram ir vismaz 15 %.	N/A
Mirgo sarkanā gaisma	Akumulatora(-u) uzlādes līmenis ir zems. Spirālveida urbis neieslēdzas, bet uz īsu brīdi iedegas LED priekšējās gaismas.	Apturiet sniega pūtēju un izņemiet akumulatoru bloku(-s).
Deg oranžā krāsā	Sniega pūtējs ir pārkarsis.	Apturiet sniega pūtēju un pagaidiet kādu laiku, lai atdziest mašīna.
Mirgo oranžā gaisma	Sniega pūtējs ir pārslēgots.	Izņemiet akumulatoru bloku(-us). Pārbaudiet, vai zem spirālveida urbjā nav sakrājis vai tajā iekritis sniegs, un notīriet sniegu. Darba laikā palēniniet tempu vai samaziniet sniega tīrīšanas joslas platumu.
Pārmaiņus mirgo sarkanā un zaļā gaisma	Komunikācijas kļūme.	Sazinieties ar EGO servisa centru, kas veiks remontdarbus.
Indikator nedeg	Ja LED indikators uz viena vai abiem akumulatoriem mirgo oranžā krāsā vai sarkanā krāsā, akumulators(-i) ir pārkarsis(-uši).	Apturiet sniega pūtēju un ļaujiet akumulatoram atdzist.
	Citas kļūmes: slēdzis, gaisma utt.	Sazinieties ar EGO servisa centru, kas veiks remontdarbus.

LV

SNIEGA PŪTĒJA AIZSARDZĪBA PRET PĀRSLODZI

Lai novērstu pārslodzi, centieties nenotīrīt pārāk daudz sniega ar vienu piegājieni. Samaziniet tempu vai sniega tīrīšanas joslas platumu.

Jūsu sniega pūtējā ir iebūvēti uz pārslodzi jutīgi elementi. Kad sniega pūtējs ir pārslogots, motors automātiski samazina ātrumu, un var dzirdēt, kā samazinās motora trokšņa līmenis. Pārslodzes gadījumā palēniniet tempu vai sašauriniet klīringa platumu, pēc tam motors automātiski atsāks griezties ar parasto ātruma iestatījumu. Ja tas neatrisina ar pārslodzi saistīto problēmu, sensors automātiski izslēgs motoru, un sniega pūtēja barošanas indikatora gaismas sāks mirgot oranžā krāsā. Izņemiet no sniega pūtēja akumulatoru bloku(-s). Pārbaudiet, vai spirālveida urbī un blokā nav iestrēdzis sniegs vai ledus, un, ja nepieciešams, izmantojiet tīrīšanas rīku, lai iztīrītu. Ievietojiet atpakaļ akumulatoru bloku(-us) un vēlreiz iedarbiniet sniega pūtēju.

AIZSARDZĪBA PRET AKUMULATORA PĀRKARŠANU

Ja akumulatora temperatūra darbības laikā pārsniedz 70°C, aizsardzības ķēde pret pārkaršanu nekavējoties izslēdz sniega pūtēju, lai aizsargātu akumulatoru no karstuma radītiem bojājumiem. Sniega pūtēja barošanas indikators būs izslēgts, un akumulatoru bloka LED indikators mirgos oranžā vai degs sarkanā krāsā. Lai uzzinātu vairāk par LED indikatoru uz akumulatoru bloka, lūdzu, skatiet akumulatora lietotāja rokasgrāmatas sadaļu „AKUMULATORA AIZSARDZĪBA”.

Atļaidiet drošības slēdzi un pagaidiet, līdz pārkarsušais(-ie) akumulatoru bloks(-i) atdziest un akumulatora LED indikatora gaisma iedegas zaļā krāsā, pēc tam vēlreiz ieslēdziet sniega pūtēju.

Lai novērstu iekārtas izslēgšanos, ko izraisa aizsardzība pret akumulatora pārkaršanu, nemēģiniet sniega pūtēju iedarbināt ar vienu akumulatoru, ja sniega segas dziļums pārsniedz 76 mm vai ja sniegs ir ļoti slapjš vai apledojis. Mēs iesakām izmantot divus akumulatorus, kas darbojas vienlaikus. Tas palīdz sasniegt sniega pūtēja maksimālo jaudu.

Ja ir aktivizējies aizsardzība pret akumulatora pārkaršanu, palēniniet tempu un sašauriniet sniega tīrīšanas joslas platumu, lai samazinātu akumulatora slodzi.

APKOPE

⚠ BRĪDINĀJUMS! Pirms sniega pūtēja apkopes darbu veikšanas noteikti izslēdziet iekārtu un izņemiet akumulatoru(-us).

VISPĀRĒJĀ APKOPE

Plastmasas detaļu tīrīšanai neizmantojiet šķīdinātājus. Vairums plastmasu ir uzņēmīgas pret dažāda veida komerciālu šķīdinātāju radītiem bojājumiem un, tos izmantojot, var tikt sabojātas. Lai notīrītu neīrums, putekļus, eļļu, smērvielas u.c., izmantojiet tīras lupatīņas.

IEKĀRTAS IEELĻOŠANA

Visi šī izstrādājuma gultņi ir ieeļļoti, izmantojot pietiekamu augstvērtīgas smērvielas daudzumu, ar kuru pietiek visam iekārtas darbūzām, lietojot iekārtu normālos darbības apstākļos. Tāpēc gultņiem nav nepieciešama papildu eļļošana.

SKRĀPJĀ NOMAIŅA

Nepieciešamie rīki (nav iekļauti komplektā):

- 8 mm uzgriežņatslēga ar atvērtiem galiem
 - T20 zvaigzņveida profila skrūvgriezis
1. Skrāpis atrodas sniega pūtēja korpusa apakšējā daļā zem spirālveida urbja (F1 att.).

F1-1	Skrāpis
------	---------

2. Pagrieziet sniega pūtēju uz sāniem (F2 att.).
3. Uzvelciet cimdus. Izņemiet no ārpuses visus 5 uzgriežņus, atspēriņus un bulskrūves un no iekšpuses izņemiet 2 zvaigzņveida profila skrūves. Noņemiet nolietoto skrāpi (F2 att.).

F2-1	Ārējais uzgrieznis (x5)	F2-2	Zvaigzņveida profila skrūve (x2)
------	-------------------------	------	----------------------------------

4. Piestipriniet jauno skrāpi un ievietojiet 2 zvaigzņveida profila skrūves (F3. att.).

F3-1	Iekšējais caurums (x2)	F3-2	Skrāpis (spīdīga virsma vērsta uz iekšpusi)
F3-3	Zvaigzņveida profila skrūve (x2)		

5. Ievietojiet 5 bulskrūves un pievelciet kopā ar atspēriņiem un uzgriežņiem (F4 un F5 att.).

F5-1	Uzgrieznis	F5-2	Atspēriņš
F5-3	Pļaušanas bloks	F5-4	Skrāpis
F5-5	Bulskrūve		

LV

GUMIJAS LĀPSTIŅU UN GUMIJAS SPIRĀLVEIDA URBJU NOMAĪŅA

Gumijas lāpstiņu nomaīņa: (G1 att.)

G1-1	Gumijas lāpstiņas	G1-2	2 bultskrūvju un uzgriežņu komplekti katrai lāpstiņai (kopā 4 komplekti)
------	-------------------	------	--

Nepieciešamie rīki (nav iekļauti komplektā):

- Skrūvgriezis ar plakānu galvu
 - 10 mm uzgriežņatslēga ar atvērtiem galiem
1. Uzvelciet cimdus. Manuāli pagrieziet tērauda urbi atbilstošajā pozīcijā, lai varētu viegli noņemt gumijas lāpstiņu.
 2. Lai izņemtu gumijas lāpstiņas, izņemiet visas fiksējošās skrūves un uzgriežņus.
 3. Nomainiet gumijas lāpstiņas ar jaunām un stingri pieskrūvējiet.

Gumijas spirālveida urbju nomaīņa (G2 att.)

G2-1	Gumijas spirālveida urbis (x4)	G2-2	Vienam spirālveida urbim 1 bultskrūvju, paplāksnes un uzgriežņa komplekts (kopā 4 komplekti)
G2-3	Vienam spirālveida urbim 2 bultskrūvju un uzgriežņu komplekti (kopā 8 komplekti)		

Nepieciešamie rīki:

- 13 mm uzgriežņatslēga ar atvērtiem galiem (nav iekļauta komplektā)
- 5 mm sešstūra uzgriežņu atslēga (ietilpst komplektācijā)

LV

1. Uzvelciet cimdus. Lai varētu viegli izjaukt gumijas lāpstiņu, manuāli pagrieziet tērauda urbi atbilstošajā pozīcijā.
2. Lai izņemtu gumijas spirālveida urbjus, izņemiet visas fiksējošās skrūves un uzgriežņus.
3. Nomainiet tos ar jauniem gumijas spirālveida urbjiem un stingri pieskrūvējiet.

SNIEGA PŪTĒJA UZGLABĀŠANA

- Izņemiet akumulatoru bloku(-s) un uzglabājiet drošā, bērniem nepieejamā vietā.

Pirms uzglabāšanas izslaukiet akumulatora nodalījumā vai ap to visu mitrumu, netīrumus vai gružus.

- Noslaukiet sniega pūtēju ar tīru un sausu lupatiņu.
- Pārbaudiet, vai ir pietiekami pieskrūvēti visi uzgriežņi,

bultskrūves, pogas, skrūves utt.

- Pārbaudiet kustīgās daļas, vai tām nav bojājumu un vai nav salīzušas vai nodilušas. Saremontējiet bojātās daļas un, ja kādas detaļas trūkst, nomainiet ar jaunām.
- Salociet rokturu sānu pagarinājumus uzglabāšanas pozīcijā.
- Glabājiet sniega pūtēju iekšstelpās tīrā un sausā, bērniem nepieejamā vietā.
- Neuzglabājiet blakus kodīgām vielām piemēram, mēslojumam vai akmeņsālim.

ROKTURU SĀNU PAGARINĀJUMU LOCĪŠANA

1. Lai netraucētu locīšanu, pabīdīet teknes pagriešanas rokturi līdz galam uz priekšu, lai tekne atrastos kreisajā pusē. Lai to noliektu līdz galam uz leju, nospiediet teknes deflektora roktura slēdža pogu (H1 att.).
2. Atveriet ātrās atbrīvošanas sviras abās pusēs, lai nolocītu rokturu sānu pagarinājumus uzglabāšanas pozīcijā (H2 att.).

SNIEGA PŪTĒJA PACELŠANA UN PĀRVIETOŠANA

1. Izņemiet akumulatoru bloku(-us).
2. Salociet rokturu sānu pagarinājumus atbilstoši aprakstam iepriekšējā nodaļā.
3. Paceliet un pārnēsājiet iekārtu, ar vienu roku satverot pacelšanas rokturi, bet ar otru roku satverot aiz pacelšanas zonas virs sniega iepļūdes atveres (tieši zem EGO logotipa) (I attēls).

I-1	Pacelšanas zona	I-2	Pacelšanas rokturis
-----	-----------------	-----	---------------------

APKĀRTĒJĀS VIDES AIZSARDZĪBA



Direktīva par elektrisko un elektronisko iekārtu atkritumiem (EEIA) Neutilizējiet elektrisko aprīkojumu, izlietoto akumulatoru un lādētāju sadzīves atkritumos. Nogādājiet šo izstrādājumu uz pilnvarotu pārstrādes punktu un sagatavojiet atkritumu šķirošanai. Elektriskos instrumentus jānogādā videi nekaitīgā pārstrādes rūpnīcā.

PROBLĒMU MEKLĒŠANA UN NOVĒRŠANA

PROBLĒMA	CĒĻONIS	RISINĀJUMS
Rokturu sānu pagarinājumu nevar nofiksēt.	<ul style="list-style-type: none"> Rokturu sānu pagarinājumu un/vai ātrās atbrīvošanas sviru bloķēšanas pogas nav pievilktas. 	<ul style="list-style-type: none"> Pārīecinieties, vai rokturu sānu pagarinājumu bloķēšanas pogas ir pilnībā pieskrūvētas un ātrās atbrīvošanas sviras ir pilnībā aizvērtas.
Sniega pūtēju nevar iedarbināt.	<ul style="list-style-type: none"> Zems akumulatora uzlādes līmenis. Spirālveida urbī iesalis sniegs vai ledus. Akumulators ir pārkarsis. Akumulatoru bloka(-u) LED indikatora gaisma mirgo oranžā vai deg sarkanā krāsā (skatīt šīs rokasgrāmatas sadaļu „AIZSARDZĪBA PRET AKUMULATORA PĀRKARŠANU”). Sniega pūtēja ieslēgšanas laikā veiktas nepareizas darbības. Neidentificēta kļūme. 	<ul style="list-style-type: none"> Uzlādējiet akumulatoru. Vispirms izņemiet akumulatoru bloku(-s) un pēc tam izmantojiet tīrīšanas rīku, lai iztīrītu sniegu vai ledu, kas aizsprosto spirālveida urbi. Ievietojiet atpakaļ akumulatoru blokus un vēlreiz iedarbiniet sniega pūtēju. Izņemiet no sniega pūtēja pārkarsušo(-s) akumulatoru bloku(-s) un pagaidiet, līdz akumulatoru bloks(-i) atdziest līdz aptuveni 67 °C. Ievietojiet atpakaļ akumulatoru bloku(-us) un vēlreiz iedarbiniet sniega pūtēju. (1) Nospiediet drošības pogu, līdz barošanas indikators sāk mirgot zaļā krāsā. (2) Nospiežot pogu, pavelciet drošības slēdzi uz augšu līdz galvenajam rokturim. Sazinieties ar EGO servisa centru, kas veiks remontdarbus.
Motors ir ieslēgts, taču spirālveida urbis nedarbojas.	<ul style="list-style-type: none"> Piedzīņas sikсна ir nodilusi vai pārtrūkusi. 	<ul style="list-style-type: none"> Sazinieties ar EGO servisa centru, kas veiks remontdarbus.
Pēc pārbraukšanas pa tīrāmo joslu sniega pūtējs uz zemes atstāj sniega kārtu.	<ul style="list-style-type: none"> Skrāpis ir nolietojies. 	<ul style="list-style-type: none"> Nomainiet skrāpi, ievērojot šīs rokasgrāmatas sadaļā „SKRĀPJA NOMAIŅA” sniegtās norādes.
Sniega pūtējs izmet mazāk sniega.	<ul style="list-style-type: none"> Gumijas lāpstiņas ir nodilušas. Spirālveida urbja ātrums var būt pārāk mazs. 	<ul style="list-style-type: none"> Nomainiet gumijas lāpstiņas, ievērojot šīs rokasgrāmatas sadaļā „GUMIJAS LĀPSTIŅU NOMAIŅA” sniegtās norādes. Spirālveida urbja darbības ātruma palielināšana.

LV



PROBLĒMA	CĒLONIS	RISINĀJUMS
Spirālveida urbim neizveidojas saķere ar zemi, un sniega pūtēja virzīšana uz priekšu notiek ar piepūli.	<ul style="list-style-type: none">■ Gumijas skrūvgrieži ir nodiluši.	<ul style="list-style-type: none">■ Nomainiet gumijas spirālveida urbju, ievērojot šīs rokasgrāmatas sadaļā „GUMIJAS SPIRĀLVEIDA URBJU NOMAIŅA” sniegtās norādes.

GARANTIJA

EGO GARANTIJAS POLITIKA

Lūdzu, apmeklējiet tīmekļa vietni egopowerplus.com, kur pieejama pilna EGO garantijas politikas noteikumu un nosacījumu versija.

LV

170

56 VOLTU LITIJA JONU BEZVADU SNIEGA PŪTĒJS — SNT2120E-AP

ΔΙΑΒΑΣΤΕ ΟΛΕΣ ΤΙΣ ΟΔΗΓΙΕΣ!



ΔΙΑΒΑΣΤΕ ΤΟ ΕΓΧΕΙΡΙΔΙΟ ΧΡΗΣΗΣ

ΣΥΜΒΟΛΟ ΑΣΦΑΛΕΙΑΣ

Η λειτουργία ηλεκτρικών εργαλείων μπορεί να προκαλέσει την εκτόξευση ξένων αντικειμένων στα μάτια σας, με αποτέλεσμα σοβαρό τραυματισμό. Προτού ξεκινήσετε τη χρήση του ηλεκτρικού εργαλείου, φοράτε πάντα προστατευτικά γυαλιά ή γυαλιά με πλευρική προστασία και, εφόσον απαιτείται, πλήρη προστατευτική προσωπίδα. Συνιστούμε μια προσωπίδα ασφαλείας ευρείας όρασης, για χρήση πάνω από γυαλιά ή τα συνήθη προστατευτικά γυαλιά με πλευρική προστασία.



Προειδοποίηση ασφαλείας



Προκειμένου να μειωθεί ο κίνδυνος τραυματισμού, ο χρήστης πρέπει να διαβάσει και να κατανοήσει το εγχειρίδιο χρήσης προτού να χρησιμοποιήσει αυτό το προϊόν.



Φοράτε πάντοτε προστατευτικά γυαλιά ή γυαλιά ασφαλείας με πλευρική προστασία και πλήρη προστατευτική προσωπίδα κατά τη λειτουργία αυτού του προϊόντος.



Μην χρησιμοποιείτε τα χέρια για να ξεμπλοκάρετε τη χοάνη.



ΠΡΟΣΟΧΗ: Μην κοιτάτε απευθείας μέσα στη λάμπα λειτουργίας.



Διατηρείτε τα πόδια και τα χέρια σας μακριά



Διατηρείτε τα πόδια σας μακριά από την περιστρεφόμενη φτερωτή



Εγγυημένη στάθμη ακουστικής ισχύος. Εκπομπές θορύβου στο περιβάλλον σύμφωνα με την οδηγία της Ευρωπαϊκής Ένωσης.



Τα απόβλητα ειδών ηλεκτρικού και ηλεκτρονικού εξοπλισμού δεν πρέπει να απορρίπτονται στα οικιακά απορρίμματα. Πρέπει να παραδίδονται σε εξουσιοδοτημένη μονάδα ανακύκλωσης.



Αυτό το προϊόν συμμορφώνεται με τις εφαρμοστές οδηγίες της ΕΚ.



Συνεχή ρεύματα



Αυτό το προϊόν συμμορφώνεται με την ισχύουσα νομοθεσία του Η.Β.

IPX4

Βαθμός προστασίας από την είσοδο νερού

V

Βολτ

cm

Εκατοστά

m


Μετρητής

kg

Κιλό

GR

ΤΕΧΝΙΚΕΣ ΠΡΟΔΙΑΓΡΑΦΕΣ

Τάση	56 V 	
Πλάτος καθαρισμού	520 mm	
Ύψος εισόδου	330 mm	
Απόσταση ρίψης	Έως και 14 m	
Μέγεθος τροχού	178 mm	
Συνιστώμενη θερμοκρασία λειτουργίας	- 20°C - 10°C	
Θερμοκρασία αποθήκευσης	- 20°C - 70°C	
Βάρος (χωρίς συστοιχία μπαταριών)	27 kg	
Μετρημένη στάθμη ηχητικής ισχύος L_{WA}	96 dB(A) K=1,8 dB(A)	
Στάθμη ηχητικής πίεσης στο αυτί του χειριστή L_{PA}	80 dB(A) K=4 dB(A)	
Εγγυημένο επίπεδο ισχύος ήχου L_{WA} (μέτρηση κατά 2000/14/ΕΕ)	98 dB(A)	
Αξιολόγηση δονήσεων $a_{h,v}$	Αριστερή χειρολαβή	1,3 m/s ² K=1,5 m/s ²
	Δεξιά χειρολαβή	1,3 m/s ² K=1,5 m/s ²

- Η δηλωθείσα συνολική τιμή κραδασμών έχει μετρηθεί σύμφωνα με πρότυπη μέθοδο ελέγχου και μπορεί να χρησιμοποιηθεί για τη σύγκριση ενός εργαλείου με κάποιο άλλο.
- Η αναφερόμενη συνολική τιμή κραδασμών μπορεί να χρησιμοποιηθεί, επίσης, για προκαταρκτική αξιολόγηση έκθεσης.

ΕΙΔΟΠΟΙΗΣΗ: Η μετάδοσης της δόνησης κατά τη διάρκεια της πραγματικής χρήσης του ηλεκτρικού εργαλείου μπορεί να διαφέρει από τη δηλωθείσα τιμή στην οποία χρησιμοποιείται το εργαλείο. Για την προστασία του χειριστή, πρέπει να χρησιμοποιούνται γάντια και ωτοασπίδες υπό πραγματικές συνθήκες χρήσης.

ΣΥΝΙΣΤΩΜΕΝΑ ΠΑΡΕΛΚΟΜΕΝΑ

▲ ΠΡΟΕΙΔΟΠΟΙΗΣΗ: Τα παρακάτω εξαρτήματα υπόκεινται σε φθορά από κανονική χρήση. Χρησιμοποιείτε μόνο ανταλλακτικά όμοια με εκείνα που αναφέρονται παρακάτω. Η χρήση ανταλλακτικών που δεν ανταποκρίνονται στις αρχικές τεχνικές προδιαγραφές του εξοπλισμού μπορεί να οδηγήσει σε μειωμένη απόδοση και να θέσει σε κίνδυνο την ασφάλεια.

ΟΝΟΜΑ ΕΞΑΡΤΗΜΑΤΟΣ	ΑΡΙΘΜΟΣ ΜΟΝΤΕΛΟΥ
Σετ αποξεστήρα καουτσούκ και παγοτρίπανου καουτσούκ	ARP2120
Ράβδος αποξεστήρα	ASS2120

ΠΕΡΙΓΡΑΦΗ

ΓΝΩΡΙΣΤΕ ΤΟ ΦΥΣΗΤΗΡΑ ΧΙΟΝΙΟΥ ΣΑΣ (Εικ. Α1 – Α3)

1. Κύρια λαβή
2. Διακόπτης εκκένωσης (μοχλός διακόπτη)
3. Ενδεικτική λυχνία λειτουργίας
4. Λαβή ανύψωσης
5. Μοχλός γρήγορης αποδέσμευσης
6. Κάλυμμα θήκης μπαταριών
7. Τροχός (x2)
8. Κάλυμμα ιμάντα μετάδοσης κίνησης
9. Συγκρότημα παγοτρίπανου
10. Προβολείς LED
11. Εκτροπέας χοάνης
12. Χειρολαβή εκτροπέα χοάνης
13. Χειρολαβή περιστροφής χοάνης
14. Εξάγωνο κλειδί
15. Επιλογέας ταχύτητας παγοτρίπανου
16. Διακόπτης προβολέων LED
17. Κουμπί ασφαλείας
18. Κουμπί αποδέσμευσης μπαταριών
19. Κουμπί ασφάλισης
20. Μάνταλο
21. Μηχανισμός εκτόξευσης
22. Ηλεκτρική επαφή

ΚΑΤΑΛΟΓΟΣ ΕΞΑΡΤΗΜΑΤΩΝ ΣΥΣΚΕΥΑΣΙΑΣ (ΕΙΚ. Α1)

ΣΥΝΑΡΜΟΛΟΓΗΣΗ

ΑΝΟΙΓΜΑ ΠΛΕΥΡΙΚΩΝ ΡΑΓΩΝ

1. Ο φυσητήρας χιονιού αποστέλλεται με τις πλευρικές ράγες σε κλειστή, ασφαλισμένη θέση (Εικ. Β1).

2. Ανοίξτε τους μοχλούς γρήγορης αποδέσμευσης και στις δύο πλευρές και περιστρέψτε ήπια τις πλευρικές ράγες προς τα πάνω, μέχρι να σταματήσουν (Εικ. Β2 & Β3).
3. Κλείστε τους μοχλούς γρήγορης αποδέσμευσης και, στη συνέχεια, συσφίξτε τα κουμπιά ασφάλισης (Εικ. Β4).

ΕΓΚΑΤΑΣΤΑΣΗ ΧΟΑΝΗΣ

1. Χρησιμοποιήστε το παρεχόμενο εξάγωνο κλειδί για να λύσετε και να αφαιρέσετε τα δύο σετ μπουλονιών και ροδελών στη βάση της χοάνης (Εικ. C1).

C1-1	Βάση χοάνης
------	-------------

2. Ευθυγραμμίστε τις αυλάκωσεις της χοάνης με την υποδοχή στη βάση της χοάνης και, στη συνέχεια, ωθήστε τη χοάνη στη θέση της (Εικ. C2).

C2-1	Αυλάκωση χοάνης	C2-2	Υποδοχή στη βάση της χοάνης
------	-----------------	------	-----------------------------

3. Χρησιμοποιήστε το παρεχόμενο εξάγωνο κλειδί για να ασφαλίσετε τη χοάνη στη θέση της με τα δύο σετ μπουλονιών και ροδελών (Εικ. C3).

ΛΕΙΤΟΥΡΓΙΑ

ΠΡΟΣΑΡΤΗΣΗ/ΑΠΟΜΑΚΡΥΝΣΗ ΤΗΣ ΣΥΣΤΟΙΧΙΑΣ ΜΠΑΤΑΡΙΩΝ

Χρησιμοποιείτε μόνο τις συστοιχίες μπαταριών και τους φορτιστές της EGO που αναφέρονται στην Εικ. Α4.

Ανατρέξτε στα αντίστοιχα εγχειρίδια των συστοιχιών μπαταριών και των φορτιστών για περισσότερες λεπτομέρειες.

Φορτίστε πλήρως πριν από την πρώτη χρήση.

1. Ανεβάστε το κάλυμμα της θήκης μπαταριών, ανασκλώνοντας το μπροστινό μέρος του καλύμματος (Εικ. D1).
2. **Προσάρτηση:** Ευθυγραμμίστε τις νευρώσεις της συστοιχίας μπαταριών με τις οπές τοποθέτησης και πιέστε τη συστοιχία μπαταριών προς τα κάτω, μέχρι να ακούσετε «κλικ». Συνδέστε την άλλη μπαταρία. (Εικ. D2)
3. **Αφαίρεση:** Πιέστε το κουμπί αποδέσμευσης μπαταριών και τραβήξτε τη συστοιχία μπαταριών προς τα έξω (Εικ. D3).

D3-1	Κουμπί αποδέσμευσης μπαταριών
------	-------------------------------

4. Κλείστε το κάλυμμα της θήκης μπαταριών.

ΕΝΕΡΓΟΠΟΙΗΣΗ/ΑΠΕΝΕΡΓΟΠΟΙΗΣΗ ΤΟΥ ΦΥΣΗΤΗΡΑ ΧΙΟΝΙΟΥ

ΣΗΜΕΙΩΣΗ: Μην απενεργοποιείτε και ενεργοποιείτε γρήγορα το φυσητήρα χιονιού.

Ενεργοποίηση του φυσητήρα χιονιού

1. Προσαρτήστε τη συστοιχία μπαταριών (ή τις συστοιχίες μπαταριών) στο φυσητήρα χιονιού και κλείστε το κάλυμμα μπαταρίας.
2. Ενεργοποιήστε τον φυσητήρα χιονιού, πατώντας το κουμπί ασφαλείας.
3. Με πατημένο το κουμπί ασφαλείας, τραβήξτε το διακόπτη εκκένωσης προς τα πάνω, προς την κύρια λαβή (Εικ. E1).

E1-1	Κουμπί ασφαλείας	E1-2	Διακόπτης εκκένωσης
------	------------------	------	---------------------

4. Μόλις ενεργοποιηθεί το παγοτρίπανο, αποδεσμεύστε το κουμπί ασφαλείας και ξεκινήστε την εργασία (Εικ. E2).
5. **Για να προχωρήσετε προς τα εμπρός,** ανασηκώστε την κύρια λαβή, ώστε το συγκρότημα του παγοτρίπανου να έρθει σε επαφή με το έδαφος (Εικ. E3). Η πρόσφυση του παγοτρίπανου θα βοηθήσει στην κίνηση του φυσητήρα χιονιού προς τα εμπρός.

E3-1	Κανονική θέση λειτουργίας	E3-2	Πρωθυόμενη από το παγοτρίπανο θέση
E3-3	Επαφής συγκροτήματος παγοτρίπανου με το έδαφος		

ΣΗΜΕΙΩΣΗ: Ο φυσητήρας χιονιού ενδέχεται να μην εκκινηθεί σωστά εάν η θερμοκρασία της μπαταρίας κυμανθεί στους -20°C ή ακόμα χαμηλότερα. Εάν ο φυσητήρας χιονιού δεν ενεργοποιείται, αφαιρέστε την μπαταρία και αφήστε την να ζεσταθεί σε εσωτερικό χώρο για τουλάχιστον 10 λεπτά. Τοποθετήστε εκ νέου τη συστοιχία μπαταριών και ξαναδοκιμάστε.

Απενεργοποίηση του φυσητήρα χιονιού

1. Αποδεσμεύστε πλήρως το διακόπτη εκκένωσης (Εικ. E4).

E4-1	Κουμπί ασφαλείας (Πλήρως απελευθερωμένο)	E4-2	Διακόπτης εκκένωσης (πλήρως αποδεσμευμένος)
------	--	------	---

2. Το ηλεκτρικό φρένο στον αυτόματο μηχανισμό πέδησης θα σταματήσει την περιστροφή του παγοτρίπανου μετά την αποδέσμευση του διακόπτη εκκένωσης.

Μεταβλητό σύστημα ταχύτητας παγοτρίπανου (Εικ. Ε5)

1. Για να αυξήσετε την ταχύτητα του παγοτρίπανου, μετακινήστε τον επιλογέα ταχύτητας του παγοτρίπανου μακριά από τον χειριστή.
2. Για να μειώσετε την ταχύτητα, μετακινήστε τον επιλογέα ταχύτητας του παγοτρίπανου προς τον χειριστή.

Προβολείς LED (Εικ. Ε6)

1. Για να ανάψετε τους προβολείς, πατήστε το διακόπτη προβολών LED. Ο προβολέας παρέχει έντονο φως μπροστά στο φουσητήρα χιονιού.
2. Για να σβήσετε τους προβολείς, πατήστε ξανά το διακόπτη προβολών LED.

ΣΗΜΕΙΩΣΗ: Οι προβολείς LED θα σβήσουν αυτόματα, εφόσον ο φουσητήρας χιονιού παραμείνει ανενεργός για 5 λεπτά, προκειμένου να διατηρηθεί το επίπεδο φόρτισης μπαταρίας.

ΡΥΘΜΙΣΗ ΤΗΣ ΧΟΑΝΗΣ

Η **κατεύθυνση** της απομάκρυνσης χιονιού μπορεί να ρυθμιστεί έως και κατά 180° (Εικ. Ε7).

E7-1	Λαβή περιστροφής αλεξίπτωτου	E7-2	Χοάνη
------	------------------------------	------	-------

1. Ωθήστε τη λαβή περιστροφής χοάνης προς τα εμπρός για να περιστρέψετε τη χοάνη προς τα αριστερά.
2. Τραβήξτε τη λαβή περιστροφής χοάνης προς τα πίσω για να περιστρέψετε τη χοάνη προς τα δεξιά.

Η **απόσταση ρίψης** του φουσητήρα χιονιού καθορίζεται εν μέρει από τη γωνία κλίσης του εκτροπέα χοάνης (Εικ. Ε8).

E8-1	Σκανδάλη	E8-2	Εκτροπέας χοάνης
------	----------	------	------------------

1. Για να αυξήσετε την απόσταση απόρριψης του χιονιού, πιέστε τη σκανδάλη στη λαβή του εκτροπέα χοάνης και, στη συνέχεια, ανυψώστε τον εκτροπέα αγωγού. Αποδεσμεύστε τη σκανδάλη στη χειρολαβή του εκτροπέα χοάνης για να ασφαλίσετε τον εκτροπέα χοάνης στη θέση του.
2. Για να μειώσετε την απόσταση απόρριψης του χιονιού, απλώς βυθίστε προς τα κάτω τον εκτροπέα χοάνης με τη χειρολαβή του εκτροπέα χοάνης.

ΚΑΘΑΡΙΣΜΟΣ ΕΜΠΛΟΚΗΣ ΣΤΗ ΧΟΑΝΗ

1. Απενεργοποιήστε τον κινητήρα και το παγοτρίπανο!
2. Απομακρύνετε τη συστοιχία μπαταριών από το φουσητήρα χιονιού.

3. Περιμένετε ώσπου να σταματήσει να περιστρέφεται το παγοτρίπανο.
4. Χρησιμοποιείτε πάντα ένα εργαλείο καθαρισμού, όπως μια ξύλινη ράβδο ή άλλα εργαλεία καθαρισμού που διατίθενται στην αγορά. Μην χρησιμοποιείτε το χέρι σας.

ΕΝΔΕΙΚΤΙΚΗ ΛΥΧΝΙΑ ΛΕΙΤΟΥΡΓΙΑΣ ΠΑΝΩ ΣΤΟΝ ΦΥΣΗΤΗΡΑ ΧΙΟΝΙΟΥ

Η ενδεικτική λυχνία λειτουργίας θα ανάψει μόνο, εφόσον ο φουσητήρας χιονιού τεθεί σε λειτουργία.

ΕΝΔΕΙΚΤΙΚΗ ΛΥΧΝΙΑ ΛΕΙΤΟΥΡΓΙΑΣ	ΕΠΕΞΗΓΗΣΗ	ΕΝΕΡΓΕΙΑ
Αναβοσβήνει πράσινη	Το κουμπί ασφαλείας είναι πατημένο και ο φουσητήρας χιονιού είναι ενεργοποιημένος και έτοιμος για χρήση. Κάθε τοποθετημένη συστοιχία μπαταριών είναι φορτισμένη κατά τουλάχιστον 15%.	Δ/Υ
Ανάβει πράσινη	Ο φουσητήρας χιονιού λειτουργεί σωστά και κάθε συστοιχία μπαταριών είναι φορτισμένη κατά τουλάχιστον 15%.	Δ/Υ
Αναβοσβήνει κόκκινη	Το επίπεδο φόρτισης της συστοιχίας μπαταριών (ή των συστοιχιών μπαταριών) είναι χαμηλό. Το παγοτρίπανο δεν περιστρέφεται, ωστόσο οι προβολείς LED θα μπορούσαν να ανάψουν για λίγο.	Απενεργοποιήστε το φουσητήρα χιονιού και φορτίστε τη συστοιχία μπαταριών.

Ανάβει πορτοκαλί	Ο φουσητήρας χιονιού έχει υπερθερμανθεί.	Απενεργοποιήστε το φουσητήρα χιονιού και περιμένετε λίγο, ώσπου να κρυώσει το μηχάνημα.
Αναβοσβήνει πορτοκαλί	Ο φουσητήρας χιονιού έχει υπερφορτωθεί.	Αφαιρέστε τη συστοιχία μπαταριών (ή τις συστοιχίες μπαταριών). Ελέγξτε και καθαρίστε τυχόν χιόνι που έχει συσσωρευτεί από κάτω ή σφηνώσει στο παγοτρύπανο. Μειώστε το ρυθμό σας ή το πλάτος της ζώνης καθαρισμού του χιονιού όταν εργάζεστε.
Αναβοσβήνει εναλλάξ κόκκινο και πράσινο	Βλάβη επικοινωνίας.	Επικοινωνήστε με το κέντρο σέρβις της EGO για επίσκεψη.
Καμία ένδειξη	Εάν η ενδεικτική λυχνία LED σε μία ή και στις δύο συστοιχίες μπαταριών αναβοσβήνει πορτοκαλί ή κόκκινη, τότε η συστοιχία μπαταριών (ή οι συστοιχίες μπαταριών) έχει υπερθερμανθεί.	Απενεργοποιήστε το φουσητήρα χιονιού και αφήστε τη συστοιχία μπαταριών να κρυώσει.
	Άλλες βλάβες: διακόπτης, φως κ.λπ.	Επικοινωνήστε με το κέντρο σέρβις της EGO για επίσκεψη.

ΠΡΟΣΤΑΣΙΑ ΥΠΕΡΦΟΡΤΩΣΗΣ ΤΟΥ ΦΥΣΗΤΗΡΑ ΧΙΟΝΙΟΥ

Για να αποφευχθούν τυχόν συνθήκες υπερφόρτωσης, μην προσπαθείτε να απομακρύνετε υπερβολικά μεγάλο όγκο χιονιού τη φορά. Μειώστε το ρυθμό σας ή το πλάτος της ζώνης καθαρισμού του χιονιού.

Ο φουσητήρας χιονιού σας διαθέτει ενσωματωμένους αισθητήρες υπερφόρτωσης. Εάν ο φουσητήρας χιονιού υπερφορτωθεί, ο κινητήρας θα μειώσει αυτόματα την ταχύτητά του και θα παρατηρήσετε ότι μειώνεται το επίπεδο θορύβου του κινητήρα. Σε περίπτωση υπερφόρτωσης, μειώστε το ρυθμό σας ή το πλάτος της ζώνης καθαρισμού. Στη συνέχεια, η ταχύτητα του κινητήρα θα επανέλθει αυτόματα στην κανονική ρύθμιση. Σε περίπτωση που δεν αποκατασταθεί το πρόβλημα υπερφόρτωσης, ο αισθητήρας θα απενεργοποιήσει αυτόματα τον κινητήρα, ενώ η ενδεικτική λυχνία λειτουργίας θα αναβοσβήνει πορτοκαλί. Απομακρύνετε τη συστοιχία μπαταριών από το φουσητήρα χιονιού. Ελέγξτε μήπως έχει κολλήσει χιόνι ή πάγος μέσα στο παγοτρύπανο και το πλαίσιο και χρησιμοποιήστε ένα εργαλείο καθαρισμού για να τα απομακρύνετε, εφόσον απαιτηθεί. Επαναποθετήστε τη συστοιχία μπαταριών (ή τις συστοιχίες μπαταριών) στο φουσητήρα χιονιού και επανεκκινήστε τον.

ΠΡΟΣΤΑΣΙΑ ΥΠΕΡΘΕΡΜΑΝΣΗΣ ΤΗΣ ΣΥΣΤΟΙΧΙΑΣ ΜΠΑΤΑΡΙΩΝ

Εάν η θερμοκρασία της μπαταρίας υπερβεί τους 70°C κατά τη διάρκεια της λειτουργίας, το κύκλωμα προστασίας από υπερθέρμανση θα απενεργοποιήσει αμέσως το φουσητήρα χιονιού, ώστε να προφυλάξει τις συστοιχίες μπαταριών από ζημιές υπερθέρμανσης. Η ενδεικτική λυχνία λειτουργίας πάνω στον φουσητήρα χιονιού θα είναι σβηστή και η ενδεικτική λυχνία LED στην μπαταρία θα αναβοσβήνει πορτοκαλί ή κόκκινη. Ανατρέξτε στην ενότητα «ΠΡΟΣΤΑΣΙΑ ΜΠΑΤΑΡΙΑΣ» στο εγχειρίδιο χειριστή μπαταρίας για περισσότερα στοιχεία σχετικά με την ενδεικτική λυχνία LED στη συστοιχία μπαταριών.

Αποδεσμεύστε τον διακόπτη εκκένωσης και περιμένετε ώσπου να κρυώσει η υπερθερμασμένη συστοιχία μπαταριών (ή οι συστοιχίες μπαταριών) και η ενδεικτική λυχνία LED της μπαταρίας ανάψει πράσινη και, στη συνέχεια, επανεκκινήστε τον φουσητήρα χιονιού.

Για να αποφύγετε τη διακοπή λειτουργίας λόγω προστασίας μπαταρίας από υπερθέρμανση, μην επιχειρήσετε να χρησιμοποιήσετε μία μόνο μπαταρία για να τροφοδοτήσετε τον φουσητήρα χιονιού εάν το βάθος του συσσωρευμένου χιονιού υπερβαίνει τα 76 mm ή εάν το χιόνι είναι υπερβολικά υγρό ή παγωμένο. Συνιστούμε τη χρήση δύο μπαταριών που λειτουργούν ταυτόχρονα. Αυτό είναι χρήσιμο για την επίτευξη της μέγιστης ισχύος του φουσητήρα χιονιού.

GR

Αφού ενεργοποιηθεί η προστασία από υπερθέρμανση, μειώστε το ρυθμό σας ή το πλάτος της ζώνης καθαρισμού του χιονιού για να μειώσετε το φορτίο στην μπαταρία.

ΣΥΝΤΗΡΗΣΗ

▲ ΠΡΟΕΙΔΟΠΟΙΗΣΗ: Βεβαιωθείτε ότι έχετε απενεργοποιήσει τη μονάδα και αφαιρέσει τη συστοιχία μπαταριών (ή τις συστοιχίες μπαταριών), προτού εκτελέσετε οποιαδήποτε εργασία συντήρησης στον φουσητήρα χιονιού.

ΓΕΝΙΚΗ ΣΥΝΤΗΡΗΣΗ

Αποφεύγετε τη χρήση διαλυτών κατά τον καθαρισμό των πλαστικών εξαρτημάτων. Τα περισσότερα πλαστικά είναι ευπαθή στη χρήση διαφόρων τύπων διαλυτών του εμπορίου και καταστρέφονται από τη χρήση τους. Χρησιμοποιείτε καθαρό πανί για την απομάκρυνση βρωμιάς, σκόνης, λαδιού, γράσου, κτλ.

ΛΙΠΑΝΣΗ ΤΗΣ ΜΗΧΑΝΗΣ

Όλα τα ρουλεμάν του προϊόντος έχουν λιπανθεί με επαρκή ποσότητα λιπαντικού υψηλής ποιότητας για ολόκληρη τη διάρκεια ζωής της μονάδας υπό κανονικές συνθήκες λειτουργίας. Συνεπώς, δεν απαιτείται περαιτέρω λίπανση των ρουλεμάν.

ΑΝΤΙΚΑΤΑΣΤΑΣΗ ΤΗΣ ΡΑΒΔΟΥ ΑΠΟΞΕΣΤΗΡΑ

Απαιτούμενα εργαλεία (δεν περιλαμβάνονται):

- Κλειδί με ανοιχτό άκρο 8 mm
- Κατσαβίδι T20 Torx

1. Η ράβδος αποξεστήρα βρίσκεται στο κάτω μέρος του πλαισίου του φουσητήρα χιονιού, κάτω από το παγοτρίπανο (Εικ. F1).

F1-1	Ράβδος αποξεστήρα
------	-------------------

2. Γυρίστε τον φουσητήρα χιονιού στο πλάι (Εικ. F2).
3. Φοράτε γάντια. Αφαιρέστε τα 5 σετ παξιμαδιών, ελατηριωτών δακτυλίων και μπουλονιών εξωτερικά και τις 2 βίδες Torx εσωτερικά. Αποσυνδέστε τη φθαρμένη ράβδο αποξεστήρα (Εικ. F2).

F2-1	Εξωτερικό παξιμάδι (x5)	F2-2	Βίδα Torx (x2)
------	-------------------------	------	----------------

4. Προσαρτήστε τη νέα ράβδο αποξεστήρα και τοποθετήστε τις 2 βίδες Torx (Εικ. F3).

F3-1	Εσωτερική τρύπα (x2)	F3-2	Μπάρα αποξεστήρα (γυαλιστερή επιφάνεια προς τα μέσα)
F3-3	Βίδα Torx (x2)		

5. Τοποθετήστε τα 5 μπουλονία και σφισίστε με ελατηριωτούς δακτυλίους και παξιμάδια (Εικ. F4 & F5).

F5-1	Παξιμάδι	F5-2	Ελατηριωτός δακτύλιος
F5-3	Πλαίσιο κοπής	F5-4	Ράβδος αποξεστήρα
F5-5	Μπουλόνι		

ΑΝΤΙΚΑΤΑΣΤΑΣΗ ΑΠΟΞΕΣΤΗΡΩΝ ΚΑΟΥΤΣΟΥΚ & ΠΑΓΟΤΡΥΠΑΝΩΝ ΚΑΟΥΤΣΟΥΚ

Αντικατάσταση αποξεστήρων καουτσούκ: (Εικ. G1)

G1-1	Αποξεστήρες καουτσούκ	G1-2	2 σετ μπουλονιών και παξιμαδιών σε κάθε αποξεστήρα (4 σετ συνολικά)
------	-----------------------	------	---

Απαιτούμενα εργαλεία (δεν περιλαμβάνονται):

- Κατσαβίδι με επίπεδη κεφαλή
- Ανοιχτό κλειδί 10 mm

1. Φοράτε γάντια. Περιστρέψτε χειροκίνητα το ασάλινο παγοτρίπανο στην κατάλληλη θέση για εύκολη αποσυναρμολόγηση του αποξεστήρα καουτσούκ.
2. Αφαιρέστε όλα τα μπουλόνια και τα παξιμάδια στερέωσης για να αφαιρέσετε τους αποξεστήρες καουτσούκ.
3. Αντικαταστήστε με νέους αποξεστήρες καουτσούκ και σφισίστε καλά.

Αντικατάσταση παγοτρίπανων καουτσούκ (Εικ. G2)

G2-1	Λαστιχένιο τρυπάνι (x4)	G2-2	1 σετ μπουλονιού, ροδέλας και παξιμαδιού σε κάθε παγοτρίπανο (4 σετ συνολικά)
G2-3	2 σετ μπουλονιών και παξιμαδιών σε κάθε παγοτρίπανο (8 σετ συνολικά)		

Απαιτούμενα εργαλεία:

- Ανοιχτό κλειδί 13 mm (δεν περιλαμβάνεται)

GR

- Εξάγωνο κλειδί 5 mm (παρέχεται)
1. Φοράτε γάντια. Περιστρέψτε χειροκίνητα το ασάλινο παγοτρίπανο στην κατάλληλη θέση για εύκολη αποσυναρμολόγηση του παγοτρίπανου καουτσούκ.
 2. Αφαιρέστε όλα τα μπουλόνια και τα παξιμάδια στερέωσης για να αφαιρέσετε τα παγοτρίπανα καουτσούκ.
 3. Αντικαταστήστε με νέα παγοτρίπανα καουτσούκ και συσφίξτε καλά.

ΑΠΟΘΗΚΕΥΣΗ ΤΟΥ ΦΥΣΗΤΗΡΑ ΧΙΟΝΙΟΥ

- Αφαιρέστε τη συστοιχία μπαταριών και αποθηκεύστε την σε ασφαλές σημείο, μακριά από τα παιδιά.

Πριν από την αποθήκευση, σκουπίστε τυχόν υγρασία, βρωμιά ή υπολείμματα από και γύρω από τη θήκη μπαταριών.

- Σκουπίστε το φουσητήρα χιονιού με καθαρό και στεγνό πανί.
- Ελέγχετε τη σύσφιξη σε όλα τα παξιμάδια, τις βίδες, τα κουμπιά, τις βίδες, κτλ.
- Ελέγχετε τα κινούμενα μέρη για ζημιά, θραύση και φθορά. Αναθέστε την επισκευή χαλασμένων εξαρτημάτων και την αντικατάσταση μερών που λείπουν.
- Κλείστε τις πλευρικές ράγες στη θέση αποθήκευσης.
- Αποθηκεύετε το φουσητήρα χιονιού σε καθαρό, στεγνό, εσωτερικό χώρο, μακριά από τα παιδιά.
- Μην τον αποθηκεύετε κοντά σε διαβρωτικά υλικά, όπως λιπάσματα ή ορυκτό αλάτι.

ΚΛΕΙΣΙΜΟ ΠΛΕΥΡΙΚΩΝ ΡΑΓΩΝ

1. Ωθήστε τη λαβή περιστροφής χοάνης τέρμα προς τα εμπρός, έτσι ώστε η χοάνη να στραφεί προς τα αριστερά, διασφαλίζοντας ότι δεν θα προκύψουν παρεμβολές κατά το κλείσιμο. Πιέστε τη σκανδάλη στη λαβή του εκτροπέα χοάνης για να τον γείρετε μέχρι τέρμα προς τα κάτω (Εικ. Η1).
2. Ανοίξτε τους μοχλούς γρήγορης αποδέσμευσης και στις δύο πλευρές για να κλείσετε τις πλευρικές ράγες στη θέση αποθήκευσης (Εικ. Η2).

ΑΝΥΨΩΣΗ ΚΑΙ ΜΕΤΑΦΟΡΑ ΤΟΥ ΦΥΣΗΤΗΡΑ ΧΙΟΝΙΟΥ

1. Αφαιρέστε τη συστοιχία μπαταριών (ή τις συστοιχίες μπαταριών).
2. Διπλώστε τις πλευρικές ράγες σύμφωνα με το προηγούμενο κεφάλαιο.

3. Ανυψώστε και μεταφέρετε τη μονάδα πιάνοντας τη λαβή ανύψωσης με το ένα χέρι και την περιοχή ανύψωσης, πάνω από την εισαγωγική χιονιού (ακριβώς κάτω από το λογότυπο EGO), με το άλλο χέρι (Εικ. Ι).

I-1	Περιοχή ανύψωσης	I-2	Λαβή ανύψωσης
-----	------------------	-----	---------------

ΠΡΟΣΤΑΣΙΑ ΤΟΥ ΠΕΡΙΒΑΛΛΟΝΤΟΣ



ΑΗΗΕ (Απόβλητα ειδών ηλεκτρικού και ηλεκτρονικού εξοπλισμού) – Μην απορρίπτετε ηλεκτρικό εξοπλισμό, παλιές μπαταρίες και φορτιστές στα οικιακά απορρίμματα! Μεταφέρετε αυτό το προϊόν σε εξουσιοδοτημένο κέντρο ανακύκλωσης και διαθέστε το για ξεχωριστή συλλογή. Τα ηλεκτρικά εργαλεία πρέπει να επιστρέφονται σε περιβαλλοντικά συμβατή μονάδα ανακύκλωσης.

ΑΝΤΙΜΕΤΩΠΙΣΗ ΠΡΟΒΛΗΜΑΤΩΝ

ΠΡΟΒΛΗΜΑ	ΑΙΤΙΑ	ΑΝΤΙΜΕΤΩΠΙΣΗ
Οι πλαϊνές ράγες δεν παραμένουν στη θέση τους.	<ul style="list-style-type: none"> Τα κουμπιά ασφάλισης στις πλαϊνές ράγες και/ή οι μοχλοί γρήγορης αποδέσμευσης δεν έχουν ασφαλίσει. 	<ul style="list-style-type: none"> Βεβαιωθείτε ότι τα κουμπιά ασφάλισης στις πλαϊνές ράγες είναι πλήρως συσφιγμένα και οι μοχλοί γρήγορης αποδέσμευσης είναι εντελώς κλειστοί.
Ο ψυστήρας χιονιού δεν εκκινείται.	<ul style="list-style-type: none"> Η φόρτιση της συστοιχίας μπαταριών είναι χαμηλή. Ο κοχλίας έχει παγώσει λόγω χιονιού ή πάγου. Η συστοιχία μπαταριών έχει υπερθερμανθεί. Η ενδεικτική λυχνία LED στη συστοιχία μπαταριών (ή τις συστοιχίες μπαταριών) αναβοσβήνει πορτοκαλί ή ανάβει κόκκινη (βλ. ενότητα «ΠΡΟΣΤΑΣΙΑ ΥΠΕΡΘΕΡΜΑΝΣΗΣ ΤΗΣ ΣΥΣΤΟΙΧΙΑΣ ΜΠΑΤΑΡΙΩΝ» σε αυτό το εγχειρίδιο). Λάθος βήματα ενεργοποίησης του ψυστήρα χιονιού. Άγνωστο σφάλμα. 	<ul style="list-style-type: none"> Φορτίστε τη συστοιχία μπαταριών. Αφαιρέστε πρώτα τη συστοιχία μπαταριών (ή τις συστοιχίες μπαταριών) και, στη συνέχεια, χρησιμοποιήστε ένα εργαλείο καθαρισμού για να απομακρύνετε το χιόνι ή τον πάγο που εμποδίζουν το παγοτράπανο. Επανατοποθετήστε τις συστοιχίες μπαταριών στον ψυστήρα χιονιού και επανεκκινήστε τον. Αφαιρέστε την υπερθερμασμένη συστοιχία μπαταριών (ή τις συστοιχίες μπαταριών) από τον ψυστήρα χιονιού και περιμένετε ώσπου η θερμοκρασία της συστοιχίας μπαταριών (ή των συστοιχιών μπαταριών) να πέσει στους 67°C περίπου. Επανατοποθετήστε τη συστοιχία μπαταριών (ή τις συστοιχίες μπαταριών) στο ψυστήρα χιονιού και επανεκκινήστε τον. (1) Πατήστε το κουμπί ασφαλείας ώσπου να αναβοσβήσει πράσινη η ενδεικτική λυχνία λειτουργίας. (2) Με πατημένο το κουμπί, τραβήξτε το διακόπτη εκκένωσης προς τα πάνω, προς την κύρια λαβή. Επικοινωνήστε με το κέντρο σέρβις της EGO για επισκευή.
Ο κινητήρας είναι ενεργοποιημένος αλλά το παγοτράπανο δεν περιστρέφεται.	<ul style="list-style-type: none"> Ο ιμάντας μετάδοσης κίνησης είναι φθαρμένος ή σπασμένος. 	<ul style="list-style-type: none"> Επικοινωνήστε με το κέντρο σέρβις της EGO για επισκευή.

GR

ΠΡΟΒΛΗΜΑ	ΑΙΤΙΑ	ΑΝΤΙΜΕΤΩΠΙΣΗ
Αφού περάσει, ο φυσητήρας χιονιού αφήνει ένα στρώμα χιονιού στο έδαφος.	<ul style="list-style-type: none"> ■ Η ράβδος αποξεστήρα είναι φθαρμένη. 	<ul style="list-style-type: none"> ■ Αντικαταστήστε τον αποξεστήρα σύμφωνα με την ενότητα «ΑΝΤΙΚΑΤΑΣΤΑΣΗ ΤΗΣ ΡΑΒΔΟΥ ΑΠΟΞΕΣΤΗΡΑ» σε αυτό το εγχειρίδιο.
Ο φυσητήρας χιονιού ρίχνει λιγότερο χιόνι.	<ul style="list-style-type: none"> ■ Τα λαστιχένια κουτιά είναι φθαρμένα. ■ Η ταχύτητα του παγοτρύπανου ενδέχεται να είναι υπερβολικά χαμηλή. 	<ul style="list-style-type: none"> ■ Αντικαταστήστε τους αποξεστήρες καουτσούκ σύμφωνα με την ενότητα «ΑΝΤΙΚΑΤΑΣΤΑΣΗ ΑΠΟΞΕΣΤΗΡΩΝ ΚΑΟΥΤΣΟΥΚ» σε αυτό το εγχειρίδιο. ■ Αυξήστε την ταχύτητα του κοχλία
Το παγοτρύπανο δεν αποκτά πρόσφυση και απαιτείται επιπλέον προσπάθεια για να ωθηθεί ο φυσητήρας χιονιού προς τα εμπρός.	<ul style="list-style-type: none"> ■ Τα παγοτρύπανα καουτσούκ έχουν φθαρεί. 	<ul style="list-style-type: none"> ■ Αντικαταστήστε τα παγοτρύπανα καουτσούκ σύμφωνα με την ενότητα «ΑΝΤΙΚΑΤΑΣΤΑΣΗ ΠΑΓΟΤΡΥΠΑΝΩΝ ΚΑΟΥΤΣΟΥΚ» σε αυτό το εγχειρίδιο.

ΕΓΓΥΗΣΗ

ΠΟΛΙΤΙΚΗ ΕΓΓΥΗΣΗΣ EGO

Επισκεφθείτε την ιστοσελίδα egopowerplus.com για όλους τους όρους και τις προϋποθέσεις της πολιτικής εγγύησης EGO.

GR

TÜM TALİMATLARI OKUYUN!



KULLANIM KILAVUZUNU OKUYUN

GÜVENLİK SEMBOLÜ

Elektrikli aletler kullanılırken yabancı nesnelere gözlerinize fırlayabilir ve bu da gözlerinize ciddi biçimde zarar verebilir. Elektrikli aleti kullanmaya başlamadan önce daima göz koruması veya yan siperleri olan koruyucu gözlük takın ve gerektiğinde tam yüz siperi kullanın. Gözlük üzerinde kullanım için Geniş Görüşlü Güvenlik Maskesi takmanızı veya yan siperleri olan standart koruyucu gözlük takmanızı öneririz.



Güvenlik Uyarısı



Yaralanma riskini azaltmak için kullanıcı bu ürünü kullanmadan önce kullanım kılavuzunu okuyup anlamalıdır.



Bu ürünü kullanırken daima göz koruması, yan siperleri olan koruyucu gözlük ya da tam yüz maskesi takın.



Kanaldaki tıkanmayı açmak için ellerinizi kullanmayın.



İKAZ: Çalışan lambaya bakmayınız.



Ayaklarınızı ve ellerinizi uzak tutun



Ayaklarınızı dönen pervaneden uzak tutun



Garanti edilen ses gücü seviyesidir. Avrupa Birliği Yönetmeliği'ne göre çevre gürültü emisyonu.



Atık elektrikli ürünler, evsel atıklar ile birlikte bertaraf edilmemelidir. Yetkili bir geri dönüşüm merkezine teslim edilmelidir.



Bu ürün, yürürlükteki AB yönetmeliklerine uygundur.

TR



Doğru Akımlar



Bu ürün, yürürlükteki Birleşik Krallık yasalarına uygundur.

IPX4 Su girişine karşı koruma sınıfı

V Volt

cm Santimetre

m Metre

kg Kilogram

TEKNİK ÖZELLİKLER

Voltaj	56 V	
Temizleme Geniřlięi	520 mm	
Giriř Ykseklięi	330 mm	
Fırlatma Mesafesi	14 mm'ye kadar	
Tekerlek Boyutu	178 mm	
nerilen alıřma Sıcaklıęı	-20°C - 10°C	
Depolama Sıcaklıęı	-20 °C - 70 °C	
Aęırlık (ak hari)	27 kg	
llen ses gc seviyesi L_{WA}	96 dB(A) K=1,8 dB(A)	
Operatrn kulaęındaki ses basıncı seviyesi L_{PA}	80 dB(A) K=4 dB(A)	
Garanti edilen ses gc seviyesi L_{WA} (2000/14/EC uyarınca llen)	98 dB(A)	
Titreřim deęeri $a_{h,}$	Sol tutma sapı	1,3 m/sn. ² K=1,5 m/sn. ²
	Saę tutma sapı	1,3 m/sn. ² K=1,5 m/sn. ²

- Beyan edilen toplam titreřim deęeri, standart test yntemine uygun olarak llmřtr ve bir aleti dięer bir alet ile karřılařtırmak iin kullanılabilir.
- Beyan edilen toplam titreřim deęeri, maruz kalma seviyesinin ilk deęerlendirmesi iin de kullanılabilir.

EDİKKAT: Elektrikli aletin fiili kullanımı sırasında oluřan titreřim emisyonu deęeri aletin kullanım řekline baęlı olarak beyan edilen deęerden farklı olabilir. Operatr korunmak iin fiili kullanım kořullarında eldiven ve kulak koruması takmalıdır.

NERİLEN AKSESUARLAR

⚠ UYARI: Ařaęıdaki paralar normal kullanımdan dolayı ařınabilir. Sadece ařaęıda listelenen orijinal yedek paraları kullanın. Orijinal ekipman zelliklerini karřılamayan paraların kullanılması, rnn hatalı ve tehlikeli bir řekilde alıřmasına neden olabilir.

PARA ADI	MODEL NUMARASI
Kauuk Krek ve Kauuk Burgu Takımı	ARP2120
Kazıyıcı ubuk	ASS2120

AIKLAMA

KAR PSKRTME MAKİNESİZİ TANIYIN (řek. A1 - A3)

1. Ana Tutma Kolu
2. Emniyet Anahtarı Kolu (Anahtar Kolu)
3. G Gstergesi
4. Kaldırma Kolu
5. Hızlı ıkarma Kolu
6. Ak Blmesi Kapaęı
7. Tekerlek (x2)
8. Tahrik Kayıřı Kapaęı
9. Burgu Tertibatı
10. LED Lambalar
11. Kanal Deflektr
12. Kanal Deflektr Kolu
13. Kanal Dnř Kolu
14. Alyan Anahtarı
15. Burgu Hızı Kadranı
16. LED Lamba Dęmesi
17. Emniyet Dęmesi
18. Ak ıkarma Dęmesi
19. Kilit Topuzu
20. Mandal
21. ıkarma Mekanizması
22. Elektrik Kontakı

TR

AMBALAJ İERİęİ (řEK. A1)

MONTAJ

YAN RAYLARIN AILMASI

1. Kar pskrtme makinenin yan raylar katlanmış ve kilitti konumda gnderilir (řek. B1).
2. Her iki taraftaki hızlı ıkarma kollarını aın ve yan rayları durana kadar yavařca yukarı doęru dndrn (řek. B2 ve B3).

- Hızlı çıkarma kollarını kapatın ve ardından kilit topuzlarını sıkın (Şek. B4).

KANALIN TAKILMASI

- Kanal tabanındaki iki takım civatayı ve rondelayı gevşetip çıkarmak için ürünle birlikte verilen alyan anahtarı kullanın (Şek. C1).

C1-1	Kanal tabanı
------	--------------

- Kanal oluklarını kanal tabanındaki yuva ile hizalayın ve ardından kanalı yerine itin (Şek. C2).

C2-1	Kanal olukları	C2-2	Kanal tabanındaki yuva
------	----------------	------	------------------------

- Kanalı iki takım civata ve rondela ile yerine kilitlemek için ürünle birlikte verilen alyan anahtarı kullanın (Şek. C3).

ÇALIŞTIRMA

AKÜNÜN TAKILMASI/ÇIKARILMASI

Sadece Şek. A4'te listelenen EGO marka aküleri ve şarj cihazlarını kullanın.

Daha fazla ayrıntı için ilgili akü ve şarj cihazı kılavuzlarına bakın.

İlk kullanımdan önce tamamen şarj edin.

- Kapağın ön kısmını kaldırarak akü bölmesi kapağını kaldırın (Şek. D1).
- Takmak için**, akü dişleri ile montaj yuvalarını hizalayın ve bir "tık" sesi duyana kadar aküyü bastırın. Diğer aküyü takın. (Şek. D2)
- Çıkarmak için**, akü çıkarma düğmesine basın ve aküyü çekip çıkarın (Şek. D3).

D3-1	Akü çıkarma düğmesi
------	---------------------

- Akü bölmesi kapağını kapatın.

KAR PÜSKÜRTME MAKİNESİNİN ÇALIŞTIRILMASI/ DURDURULMASI

DİKKAT: Kar püskürtme makinesini hızlı bir şekilde açıp kapatmayın.

Kar Püskürtme Makinesini Çalıştırmak İçin

- Aküyü kar püskürtme makinesine takın ve akü kapağını kapatın.
- Emniyet düğmesine basarak kar püskürtme makinesini AÇIK konuma getirin.
- Emniyet düğmesi basılıyken, ana tutma koluyla

birleşecek şekilde emniyet anahtarı kolunu yukarı doğru çekin (Şek. E1).

E1-1	Emniyet düğmesi	E1-2	Emniyet anahtarı kolu
------	-----------------	------	-----------------------

- Burgu çalışmaya başladığında, emniyet düğmesini bırakın ve çalışmaya başlayın (Şek. E2).
- İlerlemek için**, burgu tertibatının zeminle temas etmesini sağlamak üzere ana tutma kolunu kaldırın (Şek. E3). Burgu çekişi, kar püskürtme makinesinin ilerlemesine yardımcı olacaktır.

E3-1	Normal çalışma konumu	E3-2	Burgu Tahrikli Konum
E3-3	Zemine temas eden burgu tertibatı		

DİKKAT: Akü sıcaklığı -20°C veya daha düşükse kar püskürtme makinesi düzgün çalışmayabilir. Ünite çalışmazsa kar püskürtme makinesinin aküsünü çıkarın ve 10 dakika veya daha uzun süre kapalı bir mekanda ısınmasını bekleyin. Aküyü yeniden takın ve tekrar deneyin.

Kar Püskürtme Makinesini Durdurmak İçin

- Emniyet anahtarı kolunu tamamen bırakın (Şek. E4).

E4-1	Emniyet düğmesi (Tamamen bırakılmış)	E4-2	Emniyet anahtarı kolu (Tamamen bırakılmış)
------	--------------------------------------	------	--

- Otomatik Frenleme Mekanizmasındaki elektrikli fren, emniyet anahtarı kolu bırakıldıktan sonra burgu dönüşünü durdurur.

Değişken Burgu Hızı Sistemi (Şek. E5)

- Burgu hızını artırmak için burgu hızı kadranını operatörden uzağa hareket ettirin.
- Hızı düşürmek için burgu hızı kadranını operatöre doğru hareket ettirin.

LED lambalar (Şek. E6)

- Lambaları yakmak için LED lamba düğmesine basın. Lambalar, kar püskürtme makinesinin önünde parlak ışık sağlar.
- Lambaları kapatmak için LED lamba düğmesine tekrar basın.

NOT: Kar püskürtme makinesi 5 dakika süreyle devre dışı kaldığında akü şarjını korumak için LED lambalar otomatik olarak kapanır.

KANALI AYARLAMA

Kar temizleme yönü 180°'ye kadar ayarlanabilir (Şek. E7).

E7-1	Kanal döndürme kolu	E7-2	Kanal
------	---------------------	------	-------

1. Kanalı sola döndürmek için kanal döndürme kolunu ileri doğru itin.
2. Kanalı sağa döndürmek için kanal döndürme kolunu geriye doğru çekin.

Kar püskürtme makinesinin **fırlatma mesafesi**, kısmen kanal deflektörünün eğim açısıyla belirlenir (Şek. E8).

E8-1	Tetik	E8-2	Kanal deflektörü
------	-------	------	------------------

1. Karın fırlatıldığı mesafeyi artırmak için kanal deflektörü kolundaki tetiği sıkın ve ardından kanal deflektörünü kaldırın. Kanal deflektörünü yerine kilitlemek için kanal deflektörü kolundaki tetiği bırakın.
2. Karın fırlatıldığı mesafeyi azaltmak için kanal deflektörü koluya deflektörü indiriniz yeterlidir.

TIKALI KANALIN AÇILMASI

1. Motoru ve burguyu kapatın!
2. Aküyü kar püskürtme makinesinden çıkarın.
3. Burgunun dönmesi durdurana kadar bekleyin.
4. Her zaman tahta bir çubuk veya piyasada bulunan diğer temizleme aletleri gibi bir temizleme aleti kullanın; ellerinizi kullanmayın.

KAR PÜSKÜRTME MAKİNESİNDEKİ GÜÇ GÖSTERGESİ

Güç göstergesi sadece kar püskürtme makinesi çalıştırıldığında yanar.

GÜÇ GÖSTERGESİ	ANLAMI	İŞLEM
Yanıp sönen yeşil	Emniyet düğmesine basılarak kar püskürtme makinesi açılmıştır ve makine çalışmaya hazırdır. Takılı her bir akü paketinin şarjı en az %15 seviyesindedir.	Yok
Parlak yeşil	Kar püskürtme makinesi düzgün çalışıyor ve her bir akü paketinin şarjı en az %15 seviyesindedir.	Yok

Yanıp sönen kırmızı	Akü paket(ler)inin şarj seviyesi düşüktür. Burgu dönmez ancak LED lambalar kısa bir süre için yanabilir.	Kar püskürtme makinesini durdurun ve akü paket(ler)ini şarj edin.
Parlak turuncu	Kar püskürtme makinesi aşırı ısınmıştır.	Kar püskürtme makinesini durdurun ve makinenin soğuması için bir süre bekleyin.
Yanıp sönen turuncu	Kar püskürtme makinesi aşırı yüklenmiştir.	Akü paket(ler)ini çıkarın. Burgu altında veya içinde birikmiş kar olup olmadığını kontrol edin ve varsa temizleyin. Çalışma hızınızı yavaşlatın veya kar temizleme alanının genişliğini azaltın.
Sırasıyla yanıp sönen kırmızı/yeşil	İletişim arızası vardır.	Onarım için EGO servis merkeziyle irtibata geçin.
Işık yok	Akü paketlerinden birinin veya her ikisinin üzerindeki LED göstergesi turuncu renkte yanıp sönüyorsa veya kırmızı renkte parlıyorsa, akü paket(ler)ini aşırı ısınmıştır.	Kar püskürtme makinesini durdurun ve akünün soğumasını bekleyin.
	Diğer arızalar: anahtar, ışık vb.	Onarım için EGO servis merkeziyle irtibata geçin.

TR

KAR PÜSKÜRTME MAKİNESİ AŞIRI YÜK KORUMASI

Aşırı yük oluşmasını önlemek için bir defada çok fazla kar temizlemeye çalışmayın. Hızınızı yavaşlatın veya kar temizleme alanının genişliğini azaltın.

Kar püskürtme makinenizde dahili aşırı yük algılama parçaları bulunur. Kar püskürtme makinesi aşırı

yüklendiğinde, motor hızı otomatik olarak düşer ve motorun gürültü seviyesinin düştüğünü duyarsınız. Aşırı yüklenme durumunda, hızınızı yavaşlatın veya temizleme genişliğini daraltın, bunun ardından motor hızı otomatik olarak normal ayarına döner. Bu çözüm aşırı yük durumunu çözmezse sensör motoru otomatik olarak kapatır ve güç göstergesi turuncu renkte yanıp söner. Aküyü kar püskürtme makinesinden çıkarın. Burgu ve püskürtme haznesinde kar veya buz olup olmadığını kontrol edin ve gerektiğinde bunları temizlemek için bir temizleme aleti kullanın. Akü paket(ler) ini yeniden takın ve kar püskürtme makinesini yeniden çalıştırın.

AKÜ YÜKSEK SICAKLIK KORUMASI

Çalışma sırasında akü sıcaklığı 70°C'yi aşarsa sıcaklık koruma devresi aküyü aşırı ısınma hasarından korumak için kar püskürtme makinesini hemen kapatır. Kar püskürtme makinesindeki güç göstergesi söner ve aküdeki LED göstergesi turuncu renkte yanıp söner veya kırmızı renkte parlar. Akü üzerindeki LED göstergesi hakkında daha fazla bilgi için lütfen akü kullanım kılavuzundaki "AKÜ KORUMASI" bölümüne bakın.

Emniyet anahtarını kolunu bırakın ve aşırı ısınmış akü paket(ler) i soğuyana ve akü LED göstergesindeki ışık yeşile dönene kadar bekleyin, ardından kar püskürtme makinesini yeniden çalıştırın.

Akü yüksek sıcaklık koruması nedeniyle makinenin kapanmasını önlemek için biriken karın derinliği 76 mm'yi aştığında veya kar çok ıslak veya buzlu olduğunda kar püskürtme makinesine güç sağlamak için tek bir akü kullanmayı denemeyin. Aynı anda çalışan iki akünün kullanılmasını tavsiye ederiz. Böylece kar püskürtme makinesinin en yüksek gücüne ulaşması sağlanır.

Yüksek sıcaklık koruması oluşuktan sonra, akünün üzerindeki yükü azaltmak için hızınızı yavaşlatın ve kar temizleme alanının genişliğini daraltın.

TR BAKIM

⚠ UYARI: Kar püskürtme makinenizde herhangi bir bakım işlemi gerçekleştirmeden önce üniteyi kapatığınızdan ve akü paket(ler) ini çıkardığınızdan emin olun.

GENEL BAKIM

Plastik parçaları temizlerken çözücü maddeler kullanmaktan kaçının. Çoğu plastik malzeme çeşitli ticari çözücü türlerinden etkilenmeye yatkındır ve bu çözücü maddelerin kullanılması durumunda zarar görebilirler. Kir, toz, yağ, gres vb. gidermek için temiz bez kullanın.

MAKİNEİNİN YAĞLANMASI

Bu üründeki tüm yataklar, normal çalışma koşullarında ünitenin ömrü için yeterli miktarda yüksek dereceli yağlayıcı ile yağlanmıştır. Bu nedenle, yatakların daha sonra yağlanması gerekmez.

KAZIYICI ÇUBUĞUN DEĞİŞTİRİLMESİ

Gerekli aletler (dahil değildir):

- 8 mm açık uçlu anahtar
- T20 Torx tornavida

1. Kazıyıcı çubuk, kar püskürtme haznesinin altında, burgunun altında yer alır (Şek. F1).

F1-1	Kazıyıcı çubuk
------	----------------

2. Kar püskürtme makinesini yan çevirin (Şek. F2).
3. Eldiven takın. 5 takım somunu, yaylı rondelayı ve civatayı dışarıdan sökün ve 2 Torx vidayı içeriden sökün. Aşınmış kazıyıcı çubuğu çıkarın (Şek. F2).

F2-1	Dış somun (x5)	F2-2	Torx vida (x2)
------	----------------	------	----------------

4. Yeni kazıyıcı çubuğu takın ve 2 Torx vidayı takın (Şek. F3).

F3-1	İç delik (x2)	F3-2	Kazıyıcı çubuk (parlak yüzey içeriye bakacak şekilde)
F3-3	Torx vida (x2)		

5. 5 civatayı takın ve yaylı rondelalar ve somunlarla sıkın (Şek. F4 ve F5).

F5-1	Somun	F5-2	Yaylı rondela
F5-3	Püskürtme Haznesi	F5-4	Kazıyıcı çubuk
F5-5	Civata		

KAUÇUK KÜREKLERİN VE KAUÇUK BURGULARIN DEĞİŞTİRİLMESİ

Kauçuk kürekleri değiştirmek için: (Şek. G1)

G1-1	Kauçuk kürekler	G1-2	Her kürekte 2 takım civata ve somun (toplam 4 takım)
------	-----------------	------	--

Gerekli aletler (dahil değildir):

- Düz başlı tornavida
- 10 mm açık uçlu anahtar

1. Eldiven takın. Kauçuk küreği kolayca sökmek için çelik burguyu uygun konuma manuel olarak döndürün.
2. Kauçuk küreklere çıkarmak için tüm sabitleme cıvatalarını ve somunları sökün.
3. Bunları yeni kauçuk kürekle değiştirin ve iyice sıkın.

Kauçuk burguları değiştirmek için (Şek. G2)

G2-1	Kauçuk burgusu (x4)	G2-2	Her burguda 1 takım cıvata, pul ve somun (toplam 4 takım)
G2-3	Her burguda 2 takım cıvata ve somun (toplam 8 takım)		

Gerekli aletler:

- 13 mm açık uçlu anahtar (dahil değildir)
 - 5 mm alyan anahtar (ürünle birlikte verilir)
1. Eldiven takın. Kauçuk burgunun kolay sökülmesi için çelik burguyu manuel olarak uygun konuma döndürün.
 2. Kauçuk burguları çıkarmak için tüm sabitleme cıvatalarını ve somunları sökün.
 3. Bunları yeni kauçuk burgularla değiştirin ve iyice sıkın.

KAR PÜSKÜRTME MAKİNESİNİN DEPOLANMASI

- Akü paket(ler)ini çıkarın ve çocukların ulaşamayacağı güvenli bir yerde depolayın.

Makineyi depolamadan önce akü bölmesindeki ve etrafındaki nemi, kiri veya birikintileri silin.

- Kar püskürtme makinesini temiz ve kuru bir bezle silin.
- Tüm somun, cıvata, düğme, vida vb. sıklıklarını kontrol edin.
- Hareketli parçalarda hasar, kırılma ve aşınma olup olmadığını kontrol edin. Hasarlı veya eksik parçalarda onarım yapın.
- Yan rayları depolama konumuna katlayın.
- Kar üfleme çocukların ulaşamayacağı temiz, kuru ve kapalı bir yerde saklayın.
- Gübre veya kaya tuzu gibi aşındırıcı maddelerin yanında saklamayın.

YAN RAYLARIN KATLANMASI

1. Kanal döndürme kolunu, kanal sola bakacak şekilde sonuna kadar itin, böylece katlama sırasında engellenmemesi sağlanır. Tamamen aşağı yatırmak için kanal deflektörü kolundaki tetiği sıkın (Şek. H1).
2. Yan rayları depolama konumuna katlamak için her iki taraftaki hızlı çıkarma kollarını açın (Şek. H2).

KAR PÜSKÜRTME MAKİNESİNİN KALDIRILMASI VE TAŞINMASI

1. Akü paket(ler)ini çıkarın.
2. Yan rayları önceki bölümde açıklandığı gibi katlayın.
3. Bir elinizle kaldırma kolunu ve diğer elinizle kar girişinin üstündeki kaldırma alanını (EGO logosunun hemen altında) tutarak üniteyi kaldırıp taşıyabilirsiniz (Şek. I).

I-1	Kaldırma alanı	I-2	Sol tutma kolu
-----	----------------	-----	----------------

ÇEVRE KORUMASI



WEEE (Atık Elektrikli ve Elektronik Cihazlar) Elektrikli cihazları, kullanılmış aküyü ve şarj cihazını evsel atıklarla bertaraf etmeyin! Bu ürünü yetkili bir geri dönüşüm merkezine götürün ve ayrı bir şekilde toplanmasını sağlayın. Elektrikli aletler çevreyle uyumlu bir geri dönüşüm tesisine götürülmelidir.

SORUN GİDERME

SORUN	NEDENİ	ÇÖZÜM
Yan raylar yerinde durmuyor.	<ul style="list-style-type: none"> Yan raylardaki kilit topuzları ve/veya hızlı çıkarma kolları sabitlenmemiştir. 	<ul style="list-style-type: none"> Yan raylardaki kilit topuzlarının tamamen sıkıldığından ve hızlı çıkarma kollarının tamamen kapalı olduğundan emin olun.
Kar püskürtme makinesi çalışmıyor.	<ul style="list-style-type: none"> Akü şarjı düşüktür. Burgu kar veya buzla donmuştur. Akü aşırı ısınmıştır. Akü paket(ler)indeki LED gösterge turuncu yanıp söner veya kırmızı parlar (bu kılavuzdaki "AKÜ YÜKSEK SICAKLIK KORUMASI" bölümüne bakın). Kar püskürtme makinesini çalıştırmak için yanlış adımlar atılmıştır. Tanımlanamayan arıza 	<ul style="list-style-type: none"> Aküyu şarj edin. Önce akü paket(ler)ini çıkarın, ardından burguyu engelleyen kar veya buz temizlemek için bir temizleme aleti kullanın. Akü paketlerini yeniden takın ve kar püskürtme makinesini yeniden çalıştırın. Aşırı ısınmış akü paket(ler)ini kar püskürtme makinesinden çıkarın ve akü paket(ler)inin yaklaşık 67°C'ye soğumasını bekleyin. Akü paket(ler)ini yeniden takın ve kar püskürtme makinesini yeniden çalıştırın. (1) Güç göstergesi yeşil renkte yanıp söne kadar emniyet düğmesine basın. (2) Düğme basılıyken, ana tutma koluyla birleşecek şekilde emniyet anahtarı kolunu yukarı doğru çekin. Onarım için EGO servis merkeziyle iletişime geçin.
Motor açık ancak burgu dönmüyor.	<ul style="list-style-type: none"> Tahrik kayışı aşınmış veya kopmuştur. 	<ul style="list-style-type: none"> Onarım için EGO servis merkeziyle iletişime geçin.
Kar püskürtme makinesi geçtikten sonra yerde bir kar tabakası bırakıyor.	<ul style="list-style-type: none"> Kazıyıcı çubuk aşınmıştır. 	<ul style="list-style-type: none"> Bu kılavuzdaki "KAZIYICI ÇUBUĞUN DEĞİŞTİRİLMESİ" bölümünü takip ederek kazıyıcıyı değiştirin.
Kar püskürtme makinesi daha az kar fırlatıyor.	<ul style="list-style-type: none"> Kauçuk kürekler aşınmıştır. Burgu hızı çok düşük olabilir. 	<ul style="list-style-type: none"> Bu kılavuzdaki "KAUÇUK KÜREKLERİ DEĞİŞTİRMEK İÇİN" bölümünü takip ederek kauçuk kürekleri değiştirin. Burgu hızını artırın.
Burgu çekiş sağlayamıyor ve kar püskürtme makinesini ileri itmek için ekstra çaba gerekiyor.	<ul style="list-style-type: none"> Kauçuk burgular aşınmıştır. 	<ul style="list-style-type: none"> Bu kılavuzdaki "KAUÇUK BURGULARI DEĞİŞTİRMEK İÇİN" bölümünü takip ederek kauçuk burgularını değiştirin.

TR

GARANTİ

EGO GARANTİ POLİTİKASI

EGO Garanti Politikasına ilişkin tüm hükümler ve koşullar için lütfen egopowerplus.com adresindeki web sitemizi ziyaret edin.

LUGEGE LÄBI KÕIK JUHISED!



LUGEGE KASUTUSJUHENDIT

OHUTUSSÜMBOL

Mis tahes elektriliste tööriistade kasutamine võib põhjustada võõrkehade paiskumist silma, mis võib tekitada tõsiseid silmakahjustusi. Elektriliste tööriistade kasutamise ajal kandke alati kaitseprille või külgkaitsetega kaitseprille ja vajadusel täielikku näokaitset. Soovitame kanda prillide peal laia vaatealaga kaitsemaski või standardseid külgkaitsetega kaitseprille.



Ohutusteade



Vigastuste ohu vähendamiseks peab kasutaja enne toote kasutamist lugema kasutusjuhendit ja selle endale selgeks tegema.



Kandke selle toote kasutamise ajal alati kaitseprille või külgkaitsetega kaitseprille ja täielikku näokaitset.



Ärge likvideerige väljalaske suunaja ummistust kätega.



ETTEVAATUST! Ärge vaadake töötava tule suunas.



Hoidke jalad ja käed eemal



Hoidke jalad pöörlevatest freesidest eemal



Garanteeritud helivõimsuse tase. Seadme müra keskkonnas on Euroopa Ühenduse direktiiviga vastavuses.



Elektriseadmete jäätmeid ei tohi visata olmejäätmete hulka. Viige volitatud taaskäitleja juurde.



Toode vastab kohaldatavatele EÜ direktiividele.



Alalisvool



Toode vastab kohaldatavatele Ühendkuningriigi õigusaktidele.

IPX4 Kaitseklass vee sissepääsu vastu

V Volti


cm Sentimeetrid

m Meeter

kg Kilogramm

ET

SPETSIFIKATSIOONID

Pinge	56 V 	
Puhastusala laius	520 mm	
Sissevõtu kõrgus	330 mm	
Viskekaugus	Kuni 14 m	
Ratta suurus	178 mm	
Soovituslik töökeskkonna temperatuur	-20°C - 10°C	
Hoiutemperatuur	-20 °C - 70 °C	
Kaal (ilma akuplokita)	27 kg	
Mõõdetud helivõimsuse tase L_{WA}	96 dB(A) K=1,8 dB(A)	
Helirõhk seadme operaatori kõrva juures L_{PA}	80 dB(A) K=4 dB(A)	
Garanteeritud helivõimsuse tase L_{WA} (mõõdetud vastavalt standardile 2000/14/EÜ)	98 dB(A)	
Vibratsiooni a_h mõõtmine:	Vasakpoolne käepide	1,3 m/s ² K=1,5 m/s ²
	Parempoolne käepide	1,3 m/s ² K=1,5 m/s ²

- Esitatud vibratsioonitaseme näit on mõõdetud standardsete testmeetodite kohaselt ja seda võib kasutada erinevate tööriistade võrdlemiseks.
- Esitatud vibratsioonitaseme näitu võib kasutada ka algse kokkupeutehinnangu andmiseks.

MÄRKUS: Tegelikul kasutamisel tekkiv vibratsioonitase võib esitatust erineda; turvalisuse eesmärgil peaks seadme kasutaja tegelikes kasutustingimustes kandma kindaid ja kuulmiskaitseid.

ET

SOOVITATUD TARVIKUD

⚠ HOIATUS! Järgmised osad kuuluvad tavapärase kasutamise tagajärjel. Hooldusel ja remontimisel kasutage vaid allpool loetletutega identseid varuosi. Algele tootespetsifikatsioonile mittevastavate varuosade kasutamine võib põhjustada häireid seadme töös ja puudujääke ohtuses.

OSA NIMI	MUDELI NUMBER
Kummilapats ja kummist rootorite komplekt	ARP2120
Kaabitsariba	ASS2120

KIRJELDUS

TUNNE OMA LUMEPUHURIT (joon A1–A3)

- Põhikäepide
- Kanglüüti (lüüti hoob)
- Toite märgutuli
- Tõstetav käepide
- Kiirvabastushoob
- Akupesa kate
- Ratas (x2)
- Veorihma kate
- Rootori koost
- LED-esituled
- Väljalaske suunaja
- Väljalaske suunaja käepide
- Väljalaske renni pööramise käepide
- Kuuskantvõti
- Rootori kiirvalimine
- LED-esitulede lüüti
- Turvanupp
- Akuvabastusnupp
- Lukustusnupp
- Lukusti
- Väljutusmehhanism
- Elektriline kontakt

PAKENDI LOEND (JOON. A1)

KOKKUPANEK

KÜLGMISTE SIINIDE LAHTIKEERAMINE

- Teie lumepuhur tarnitakse külgmiste siinidega volditud, lukustatud asendis (joonis B1).
- Avage mõlemalt poolt kiirvabastushoovad ja pöörake külgmisi siine ettevaatlikult ülespoole, kuni need peatuvad (joonised B2 ja B3).
- Sulgege kiirvabastushoovad ja pingutage seejärel lukustusnuppe (joonis B4).

VÄLJALASKE SUUNAJA PAIGALDAMINE

1. Kasutage kaasasolevat kuuskantmutrivõti, et vabastada ja eemaldada kaks poltide ja seibide komplekti väljalaske suunaja aluses (joonis C1).

C1-1	Väljalaske suunaja alus
------	-------------------------

2. Joondage kanali sooned kanali põhjas oleva piluga ja lükake seejärel suunaja oma kohale (joonis C2).

C2-1	Väljalaske suunaja sooned	C2-2	Pesa väljalaske suunaja alusel
------	---------------------------	------	--------------------------------

3. Kasutage kaasasolevat kuuskantmutrivõti, et lukustada suunaja kahe poltide ja seibide komplektiga oma kohale (joonis C3).

SEADME KASUTAMINE

AKUPLOKI PAIGALDAMINE/EEMALDAMINE

Kasutage ainult joonisel A4 esitatud EGO akuplokke ja laadureid.

Lisateavet leiate vastavatest akuplokkide ja laadijate kasutusjuhenditest.

Enne esmakasutamist laadige täielikult täis.

1. Tõstke akupesa kate üles, tõstes kate esiosa (joonis D1).
2. **Kinnitamiseks** joondage aku ribad paigaldussoontega ja suruge akuplokki alla kuni kuulete klõpsatust. Kinnitage teine aku. (joon D2).
3. **Eemaldamiseks** vajutage akuvabastusnuppu ja tõmmake akuplokk välja (joon D3).

D3-1	Akuvabastusnupp
------	-----------------

4. Sulgege patareipesa kaas.

LUMEPUHURI KÄIVITAMINE/PEATAMINE

MÄRKUS! Ärge lülitage lumepuhurit kiiresti sisse/välja.

Lumepuhuri käivitamiseks

1. Kinnitage akuplokkid lumepuhuri külge ja sulgege akupesa kate.
2. Lülitage lumepuhur SISSE, vajutades ohutusnuppu.
3. Kui ohutusnuppu on vajutatud, tõmmake turvalüliti ülespoole, et see puutuks kokku peamise käepidemega (joonis E1).

E1-1	Turvalisuse nupp	E1-2	Turvanupu lüliti
------	------------------	------	------------------

4. Kui rootor käivitub, vabastage ohutusnupp ja alustage tööd (joonis E2).
5. **Ettepoole** liikumiseks tõstke peamine käepide üles, et rootorikomplekt saaks maapinnaga kokku puutuda (joonis E3). Rootori veojõud aitab lumepuhurit edasi liigutada.

E3-1	Normaalne tööasend	E3-2	Rootori liikuv asend
E3-3	Rootorite kokkupanek kontaktpinnaga		

MÄRKUS! Kui aku temperatuur on $-20\text{ }^{\circ}\text{C}$ või vähem, siis ei pruugi lumepuhur korrektselt käivituda. Kui seade ei käivitu, eemaldage aku lumepuhurist ja laske sellel siseruumides vähemalt 10 minutit soojeneda. Pange aku tagasi ja proovige uuesti.

Lumepuhuri peatamiseks

1. Laske turvalüliti lahti (joon E4).

E4-1	Turvanupp (täielikult vabastatud)	E4-2	Turvalüliti (täielikult vabastatud)
------	-----------------------------------	------	-------------------------------------

2. Automaatse pidurdusmehhanismi elektriline pidur peatab rootorite pöörlemise pärast turvalüliti vabastamist.

Rootori kiiruse muutmise süsteem (joon E5)

1. Rootori kiiruse suurendamiseks liigutage rootori kiirvalimist operaatorist eemale.
2. Kiiruse vähendamiseks liigutage rootori kiirvalimist operaatori poole.

LED-esituled (joonis E6)

1. Esitulede sisselülitamiseks vajutage LED-esitulede lüliti. Esituled tagavad ereda valguse lumepuhuri ette.
2. Esitulede väljalülitamiseks vajutage uuesti LED-esitulede lüliti.

MÄRKUS! LED-esituled lülituvad aku laetuse säilitamiseks automaatselt välja, kui lumepuhur on 5 minutit passiivne.

VÄLJALASKE SUUNAJA REGULEERIMINE

Lumekoristuse **suunda** saab reguleerida kuni 180° (joonis E7).

E7-1	Väljalaske renni pööramise käepide	E7-2	Väljalaske suunaja
------	------------------------------------	------	--------------------

1. Lükake väljalaske suunaja pöörlemiskäepidid ettepoole, et pöörata suunajat vasakule.

ET

2. Tõmmake väljalaske suunaja pöörlemiskäepidet tahapoole, et pöörata suunajat paremale.

Lumepuhuri **viskekaugus** määratakse osaliselt väljalaske suunaja kaldenurga järgi (joonis E8).

E8-1	Päästik	E8-2	Väljalaske suunaja
------	---------	------	--------------------

1. Lume viskekauguse suurendamiseks vajutage päästikut väljalaske suunaja käepidemel ja tõstke seejärel väljalaske suunajat üles. Vabastage väljalaske suunaja käepideme päästik, et lukustada väljalaske suunaja oma kohale.
2. Lume viskekauguse vähendamiseks laske väljalaske suunajat lihtsalt väljalaske suunaja käepidemega alla.

VÄLJALASKE RENNI UMMISTUSE EEMALDAMINE

1. Lülitage mootor ja rootor välja!
2. Eemaldage lumepuhurilt akuplokkid.
3. Oodake, kuni rootor on lõpetanud pöörlemise.
4. Kasutage alati puhastusvahendit, näiteks puidust varrast või muid müügil olevaid puhastusvahendeid; ärge kasutage oma kätt.

LUMEPUHURI TOITEINDIKAATOR

Toiteindikaator süttib ainult lumepuhuri käivitamisel.

VÖIMSUSE INDIKAATOR	TÄHENDUS	TOIMING
Vilkuv roheline	Ohutusnupp on alla vajutatud ning lumepuhur on sisse lülitatud ja töövalmis. Iga sisestatud akuploki laetuse tase on vähemalt 15%.	Ei kehti
Pölev roheline	Lumepuhur töötab korralikult ja mõlemal akul on vähemalt 15% laengust alles.	Ei kehti
Vilkuv punane	Akuploki (akuplokkide) laetuse tase on madal. Rootor ei pöörle, kuid LED-esituled võivad lühikest aega põleda.	Seisake lumepuhur ja laadige akuplokke.

ET

Pölev oranž	Lumepuhur on ülekuumenenud.	Peatage lumepuhur ja oodake mõnda aega, et masin jahtuks.
Vilkuv oranž	Lumepuhur on ülekoormatud.	Eemaldage akuplokk (akuplokkid)! Kontrollige seadet sellise lume osas ja puhastage see lumest, mis on kogunenud rootori alla või sisse. Aeglustage oma tempot või vähendage töötamise ajal lumekoristuskaare laiust.
Punane ja roheline tuli vilguvad vaheldumisi	Kommunikatsiooni viga.	Võtke seadme remontimiseks ühendust EGO hoolduskeskusega.
Indikaatorit ei ole	Kui ühe või mõlema akuploki LED-indikaator vilgub oranžilt või põleb punaselt, on akuplokk (akuplokkid) ülekuumenenud.	Peatage lumepuhur ja laske akuplokkil jahtuda.
	Muud vead: lüliti, tuli jne.	Võtke seadme remontimiseks ühendust EGO hoolduskeskusega.

LUMEPUHURI ÜLEKOORMUSE KAITSE

Ülekoormuse ennetamiseks ärge üritage puhuda korraga liiga suurt kogust lund. Aeglustage oma tempot või vähendage lumekoristuskaare laiust.

Teie lumepuhuril on sisseehitatud ülekoormuse andurid. Kui lumepuhur on ülekoormatud, siis väheneb mootori kiirus automaatselt ja te kuulete, kuidas mootori müratase väheneb. Ülekoormuse korral aeglustage tempot või kitsendage kliiringu laiust, mille järel mootori kiirus jätkab automaatselt oma tavapärasest seadistust. Kui see ei lahenda ülekoormuse olukorda, siis lülitage andur mootori automaatselt välja ja toitelüliti indikaator hakkab oranžilt

vilkuma. Eemaldage lumepuhuriit akuplokid. Kontrollige, kas rootorile ja tekile on kinni jäänud lund või jääd, ning kasutage vajadusel nende puhastamiseks puhastusvahendit. Pange akuplokk (akuplokid) tagasi ja taaskäivitage lumepuhur.

AKU KÕRGE TEMPERAATUURI KAITSE

Kui aku temperatuur ületab töötamise ajal 70 °C, lülitab temperatuurikaitseahel lumepuhuri kohe välja, et kaitsta akut ülekuumenemise eest. Lumepuhuri toiteindikaator on välja lülitatud ja akuploki LED-indikaator vilgub oranžilt või põleb punaselt. Palun vaadake aku operaatori juhendi jaotist „AKU KAITSE“, et saada lisateavet akuploki LED-indikaatori kohta.

Vabastage turvalüüti ja oodake, kuni ülekuumenenud akuplokk (akuplokid) jahtuvad ja aku LED-indikaatori tuli muutub roheliseks, seejärel taaskäivitage lumepuhur.

Aku kõrge temperatuuri kaitse tõttu väljalülitumise vältimiseks ärge proovige lumepuhuri toiteks kasutada ühte akut, kui kogunenud lume sügavus ületab 76 mm või kui lumi on väga märg või jäine. Soovitame kasutada kahte samaaegselt töötavat akut. See on abiks lumepuhuri tippvõimsuse saavutamisel.

Pärast kõrge temperatuuri kaitse sisselülitumist aeglustage tempot ja kitsendage lumekoristuskääre laiust, et vähendada aku koormust.

HOOLDUS

⚠ HOIATUS! Enne lumepuhuri hooldustööde tegemist lülitage seade kindlasti välja ja eemaldage akuplokk (akuplokid).

ÜLDHOOLDUS

Vältige plastosade puhastamisel lahustite kasutamist. Enamik plastmaterjalidest on vastuvõtlikud müügil olevatest lahustitest tulenevatele kahjustustele. Kasutage mustuse, tolm, õli, määride jms eemaldamiseks puhast lappi.

SEADME MÄÄRIMINE

Kõik toote laagrid on määritud kvaliteetse määrdeainega, millest piisab seadme kasutuseaks tavaparaste töötingimuste korral. Seega ei ole vaja seadme laagreid rohkem määrada.

KAABITSARIBA VÄLJAVAHETAMINE

Nõutavad tööriistad (ei kuulu komplekti):

- 8 mm avatud otsaga mutrivõti
- T20 Torx kruvikeeraja

1. Kaabitsariba asub lumepuhuri teki allosas, rootori all (joonis F1).

F1-1	Kaabitsariba
------	--------------

2. Keerake lumepuhur küllili (joonis F2).
3. Kandke kindaid. Eemaldage viis komplekti mutreid, vedruseid ja poldid väljastpoolt ning eemaldage kaks Torx-kruvi seestpoolt. Eemaldage kulunud kaabitsariba (joonis F2).

F2-1	Väline mutter (x5)	F2-2	Torx-kruvi (x2)
------	--------------------	------	-----------------

4. Kinnitage uus kaabitsariba ja sisestage kaks Torx-kruvi (joonis F3).

F3-1	Sisemine auk (x2)	F3-2	Kaabitsariba (läikiv pind seespool)
F3-3	Torx-kruvi (x2)		

5. Sisestage viis polti ning pingutage vedruseid ja mutritega (joonised F4 ja F5).

F5-1	Mutter	F5-2	Vedruseib
F5-3	Sõidulaud	F5-4	Kaabitsariba
F5-5	Polt		

KUMMILAPATSITE JA KUMMIST ROOTORITE VAHETAMINE

Kummilapatsite asendamiseks: (joon. G1)

G1-1	Kummilapatsid	G1-2	kaks komplekti polte ja mutreid igal lapatsil (kokku neli komplekti)
------	---------------	------	--

Nõutavad tööriistad (ei kuulu komplekti):

- Lameda peaga kruvikeeraja
- 10 mm avatud otsaga mutrivõti

1. Kandke kindaid. Pöörake terasest rootorit käsitsi sobivasse asendisse, et kummilapatsit oleks lihtne lahti võtta.
2. Eemaldage kõik kinnituspoldid ja -mutrid, et kummilapatsid välja võtta.
3. Asendage need uute kummilapatsitega ja pingutage need kindlalt.

ET

Kummist rootorite asendamine (joonis G2)

G2-1	Kummist rootor (x4)	G2-2	1 poldi, seibi ja mutri komplekt igal rootori kohta (kokku neli komplekti)
G2-3	2 komplekti polte ja mutreid iga rootori kohta (kokku kaheksa komplekti)		

Vajalikud tööriistad:

- 13 mm harkvõti (ei kuulu komplekti)
 - 5 mm kuuskantvõti (komplektis)
1. Kandke kindaid. Pöörake terasest rootorit käsiti sobivasse asendisse, et kummist rootorit oleks lihtne lahti võtta.
 2. Eemaldage kõik kinnituspoldid ja mutrid, et kummist rootorid välja võtta.
 3. Asendage need uute kummist rootoritega ja pingutage need kindlalt.

LUMEPUHURI HOIUSTAMINE

- Eemaldage akuplokkid ja hoidke seadet kindlas, lastele kättesaamatus kohas.

Enne hoiustamist pühkige akupesast ja selle ümbrusest niiskus, mustus või praht.

- Pühkige lumepuhurit õrnalt puhta kuiva lapiga.
- Kontrollige kõikide mutrite, poltide, nuppude, kruvide jne kinnituspinget.
- Kontrollige, kas liikuvad osad on kahjustunud, purunenud või kulunud. Laske kahjustunud või puuduolevad osad parandada või asendada.
- Keerake külgmised siinid hoiustamisasendisse.
- Hoiustage lumepuhurit puhtas ja kuivas suletud, lastele kättesaamatus kohas.
- Ärge hoidke seadet söövitavate materjalide (näiteks väetiste või kivisoola) läheduses.

ET

KÜLGMISTE SIINIDE KOKKUVOLTIMINE

1. Lükake väljalaske suunaja pöörlevat käepidet kogu aeg ettepoole nii, et suunaja oleks suunatud vasakule, mis tagab, et see ei takista kokkuvoltimist. Vajutage päästikut väljalaske suunaja käepidemel, et kallutada seda lõpuni alla (joonis H1).
2. Avage mõlemalt poolt kiirvabastushoovad, et külgmised siinid hoiustamisasendisse voltida (joonis H2).

LUMEPUHURI TÕSTMINE JA KANDMINE

1. Eemaldage akuplokk (akuplokkid)!
2. Keerake külgmised siinid kokku, nagu on kirjeldatud eelmises peatükis.
3. Tõstke ja kandke seadet, haarates ühe käega tõstetavast käepidemest ja teise käega tõstealast lume sissevõtuava peal (otse EGO logo all) (joonis I).

I-1	Tõsteala	I-2	Tõstetav käepide
-----	----------	-----	------------------

KESKKONNAKAITSE



Elektri- ja elektroonikaseadmetest tekkinud jäätmete direktiiv (WEEE). Ärge visake elektriseadmeid, kasutatud akut ega laadijat olmeprügi hulka! Viige toode volitatud taaskäitleja juurde ja võimaldage selle komponendid sorteerituna kõrvaldada. Elektritööriistad tuleb viia keskkonnakaitsenõudeid järgivasse jäätmekäitluskeskusesse.

TÖRKEOTSING

PROBLEEM	PÕHJUS	LAHENDUS
Külgmised siinid ei püsi paigal.	<ul style="list-style-type: none"> ■ Külgmiste siinide lukustusnupud ja/või kiirvabastushoovad ei ole kinnitatud. 	<ul style="list-style-type: none"> ■ Veenduge, et külgmiste siinide lukustusnupud on täielikult pingutatud ja kiirvabastushoovad on täielikult suletud.
Lumepuhur ei käivitu.	<ul style="list-style-type: none"> ■ Aku laetuse tase on liiga madal. ■ Lumi või jää on rootori jäätanud. ■ Aku on ülekuumenenud. Akuploki (akuplokkide) LED-märgutuli vilgub oranžilt või põleb punaselt (vt käesoleva kasutusjuhendi jaotist „AKU KÕRGE TEMPERAATUURI KAITSE“). ■ Lumepuhuri toiteks on tehtud vale sammud. ■ Tuvastamata viga 	<ul style="list-style-type: none"> ■ Laadige akut. ■ Kõigepealt eemaldage akuplokk (akuplokid), seejärel kasutage rootorit takistava lume või jää puhastamiseks puhastusvahendit. Pange akuplokid tagasi ja taaskäivitage lumepuhur. ■ Eemaldage ülekuumenenud akuplokk (akuplokid) lumepuhurist ja oodake, kuni akuplokk (akuplokid) jahtub (jahtuvad) ligikaudu 67 °C-ni. Pange akuplokk (akuplokid) tagasi ja taaskäivitage lumepuhur. ■ (1) Vajutage ohutusnuppu, kuni toiteindikaator vilgub roheliselt. (2) Kui nupp on alla vajutatud, tõmmake turvalüliti ülespoole, et see puutuks kokku peamise käepidemega. ■ Võtke seadme remontimiseks ühendust EGO hoolduskeskusega.
Mootor on sisselülitatud, aga rootor ei pöörle.	<ul style="list-style-type: none"> ■ Veorihm on kulunud või katki. 	<ul style="list-style-type: none"> ■ Võtke seadme remontimiseks ühendust EGO hoolduskeskusega.
Pärast möödumist jätab lumepuhur maapinnale lumekihi.	<ul style="list-style-type: none"> ■ Kaabitsariba on kulunud. 	<ul style="list-style-type: none"> ■ Vahetage kaabits välja, järgides juhiseid selle kasutusjuhendi jaotises „KAABITSARIBA ASENDAMINE“.
Lumepuhur viskab vähem lund.	<ul style="list-style-type: none"> ■ Kummilapatsid on kulunud. ■ Rotorite kiirus võib olla liiga madal. 	<ul style="list-style-type: none"> ■ Kummilapatsid asendatakse käesoleva juhendi jaotise „KUMMILAPATSITE ASENDAMINE“ järgi. ■ Suurendage rootori kiirust.
Rootor ei saa veojõudu ja lumepuhuri edasilükkamine nõuab lisapingutusi.	<ul style="list-style-type: none"> ■ Kummist rootorid on kulunud. 	<ul style="list-style-type: none"> ■ Kummist rootorid asendatakse käesoleva juhendi jaotise „KUMMIST ROOTORITE ASENDAMINE“ järgi.

ET

GARANTII

EGO GARANTIIPÕHIMÕTTED

Täielikud EGO garantiitingimused leiata veebilehelt egopowerplus.com.

ПРОЧИТАЙТЕ ВСІ ІНСТРУКЦІЇ!**ПРОЧИТАЙТЕ ПОСІБНИК З ЕКСПЛУАТАЦІЇ****СИМВОЛ БЕЗПЕКИ**

Використання будь-яких електроінструментів може призвести до потрапляння сторонніх предметів в очі, що може спричинити серйозне пошкодження очей. Перед початком експлуатації електроінструмента завжди надягайте закриті захисні окуляри або відкриті захисні окуляри з бічними щитами та, якщо потрібно, повнопрофільну захисну маску. Ми рекомендуємо захисну маску широкого розміру для використання поверх окулярів або стандартні відкриті захисні окуляри з бічними щитами.



Попередження щодо безпеки



Щоб зменшити ризик травми, користувач повинен ознайомитися з інструкцією користувача перед використанням цього виробу.



Працюючи з цим виробом, завжди носіть закриті захисні окуляри чи відкриті захисні окуляри з бічними щитками або повнопрофільну захисну маску.



Не чистьте жолоб руками.



ЗАСТЕРЕЖЕННЯ. Не дивіться на лампу, що працює.



Тримайте ноги та руки подалі



Тримайте ноги подалі від робочого колеса



Гарантований рівень звукової потужності. Розповсюдження шуму в навколишнє середовище згідно з директивою Європейського співтовариства.



Відходи електричних виробів не слід викидати разом із побутовим сміттям. Зверніться до авторизованого пункту переробки.



Цей виріб відповідає чинним директивам ЄС.



Постійний струм



Цей виріб відповідає чинному законодавству Великої Британії.

UK

IPX4 Ступінь захисту від потрапляння води

В Вольти

cm Сантиметри

м Метри

kg Кілограми

ТЕХНІЧНІ ХАРАКТЕРИСТИКИ

Напруга	56 В	
Ширина очищення	520 мм	
Висота впуску	330 мм	
Дальність відкидання	До 14 м	
Розмір колеса	178 мм	
Діапазон рекомендованих робочих температур	-20°C ... +10°C	
Температура зберігання	-20°C ... +70°C	
Вага (без акумулятора)	27 кг	
Вимірний рівень звукової потужності L_{WA}	96 дБ(A) K=1,8 дБ(A)	
Рівень звукового тиску на місці вуха оператора L_{PA}	80 дБ(A) K=4 дБ(A)	
Гарантований рівень звукової потужності L_{WA} (відповідно до стандарту 2000/14/EC)	98 дБ(A)	
Оцінка вібрації a_r :	Ліва ручка	1,3 м/с ² K=1,5 м/с ²
	Права ручка	1,3 м/с ² K=1,5 м/с ²

- Вказане загальне значення вібрації виміряне за стандартним методом тестування і може використовуватися для порівняння одного інструмента з іншим;
- Заявлене сумарне значення вібрації може також використовуватися для попередньої оцінки впливу.

ПРИМІТКА. Емісія вібрації під час фактичного використання електроінструмента може відрізнитися від заявленої величини, у якій використовується інструмент. Щоб захистити оператора, користувач повинен одягати рукавички та захисні навушники в реальних умовах використання.

РЕКОМЕНДОВАНІ АКСЕСУАРИ

▲ ПОПЕРЕДЖЕННЯ. Наведені нижче деталі можуть зношуватися за нормального використання. Використовуйте лише ідентичні запчастини, перелічені нижче. Використання деталей, що не відповідають характеристикам оригінального обладнання, може призвести до неналежної роботи та поставити під

загрозу безпеку.

НАЗВА ДЕТАЛІ	НОМЕР МОДЕЛІ
Набір гумових лопатей і гумових шнеків	ARP2120
Шкребок	ASS2120

ОПИС

ОЗНАЙОМЛЕННЯ ЗІ СНІГООЧИСНИКОМ (рис. А1–А3)

1. Основна ручка
2. Засувний перемикач (важіль перемикачання)
3. Індикатор живлення
4. Ручка підйому
5. Важіль ексцентрика
6. Кришка батарейного відсіку
7. Колесо (x2)
8. Кожух приводного ремня
9. Шнек у зборі
10. Світлодіодні фари
11. Дефлектор жолоба
12. Ручка дефлектора жолоба
13. Ручка обертання жолоба
14. Шестигранний ключ
15. Регулятор швидкості шнека
16. Перемикач світлодіодних фар
17. Запобіжна кнопка
18. Кнопка звільнення акумулятора
19. Ручка блокування
20. Засувка
21. Механізм викидання
22. Електричний контакт

ПАКУВАЛЬНИЙ СПИСОК (РИС. А1)

ЗБИРАННЯ

РОЗКЛАДАННЯ БІЧНИХ РЕЙОК

1. Ваш снігоочисник поставляється зі складеними та заблокованими бічними рейками (рис. В1).
2. Відкрийте важелі ексцентрика з обох боків та обережно поверніть бічні рейки вгору до упору

UK



(рис. B2 та B3).

- Закрийте важелі ексцентрика, а потім затягніть ручки фіксатора (рис. B4).

УСТАНОВЛЕННЯ ЖОЛОБА

- За допомогою шестигранного ключа, що додається, послабте і зніміть два комплекти болтів і шайб в основі жолоба (рис. C1).

C1-1	Основа жолоба
------	---------------

- Сумістіть канавки жолоба з прорізом в основі жолоба, а потім вставте жолоб на місце (рис. C2).

C2-1	Канавка жолоба:	C2-2	Проріз в основі жолоба
------	-----------------	------	------------------------

- Використовуйте шестигранний ключ, що додається, щоб зафіксувати жолоб на місці за допомогою двох наборів болтів і шайб (рис. C3).

ЕКСПЛУАТАЦІЯ

УСТАНОВЛЕННЯ І ВИДАЛЕННЯ АКУМУЛЯТОРА

Використовуйте лише акумулятори та зарядні пристрої EGO, перелічені на рис. A4.

Щоб отримати додаткові відомості, див. інструкції відповідних акумуляторів і зарядних пристроїв.

Повністю зарядіть перед першим використанням.

- Підніміть кришку батарейного відсіку, піднявши передню частину кришки (рис. D1).
- Щоб прикріпити**, вирівняйте виступи на акумуляторі з кріпильними отворами та натисніть на акумуляторну батарею, доки не почуєте «кляцання». Прикріпіть іншу батарею. (Рис. D2)
- Видалення**, натисніть кнопку звільнення акумулятора та витягніть акумуляторну батарею (рис. D3).

UK

D3-1	Кнопка розблокування батареї
------	------------------------------

- Закрийте кришку батарейного відсіку.

ЗАПУСК/ЗУПИНКА СНІГООЧИСНИКА

ПРИМІТКА. Не вимикайте і не вмикайте снігоочисник швидко.

Запуск снігоочисника

- Прикріпіть акумуляторну батарею до снігоочисника та закрийте кришку батарейного відсіку.
- Увімкніть снігоочисник натисканням запобіжної кнопки.
- Коли запобіжну кнопку натиснуто, потягніть перемикач вгору, щоб він сумістився з основною рукояткою (рис. E1).

E1-1	Запобіжна кнопка	E1-2	Засувний перемикач
------	------------------	------	--------------------

- Коли шнек запуститься, відпустіть запобіжну кнопку та почніть роботу (рис. E2).
- Для просування вперед** підніміть основну ручку, щоб шнек у зборі контактував із землею (рис. E3). Тяга шнека допоможе снігоочиснику рухатися вперед.

E3-1	Нормальне робоче положення	E3-2	Положення з приводом від шнека
E3-3	Шнек у зборі контактує із землею		

ПРИМІТКА. Снігоочисник може не запуститися належним чином, якщо температура його акумулятора становить -20°C або нижче. Якщо пристрій не запускається, вийміть акумулятор зі снігоочисника та дайте йому прогрітися в приміщенні протягом 10 хвилин або довше. Встановіть акумулятор і спробуйте знову.

Вимкнення снігоочисника

- Повністю відпустіть засувний перемикач (рис. E4).

E4-1	Запобіжна кнопка (повністю відпущена)	E4-2	Засувний перемикач (повністю відпущений)
------	---------------------------------------	------	--

- Електричне гальмо в автоматичному гальмівному механізмі зупинить обертання шнека після відпускання засувного перемикача.

Система змінної швидкості шнека (рис. E5)

- Щоб збільшити швидкість шнека, відсуньте регулятор швидкості шнека від себе.
- Щоб зменшити швидкість, перемістіть регулятор швидкості шнека до себе.

Світлодіодні фари (рис. E6)

- Щоб увімкнути фари, натисніть перемикач світлодіодних фар. Фари забезпечують яскраве освітлення ділянки перед снігоочисником.

- Щоб вимкнути фари, знову натисніть перемикач світлодіодних фар.

ПРИМІТКА. Світлодіодні фари автоматично вимикаються, коли снігоочисник не працює протягом 5 хвилин, щоб заощадити заряд акумулятора.

РЕГУЛЮВАННЯ ЖОЛОБА

Напрямок прибирання снігу можна регулювати до 180° (рис. E7).

E7-1	Ручка обертання жолоба	E7-2	Жолоб
------	------------------------	------	-------

- Натисніть ручку повороту жолоба вперед, щоб повернути жолоб вліво.
- Потягніть ручку обертання жолоба назад, щоб повернути жолоб вправо.

Дальність викиду снігоочисника частково визначається кутом нахилу дефлектора жолоба (рис. E8).

E8-1	Тригер	E8-2	Дефлектор жолоба
------	--------	------	------------------

- Щоб збільшити відстань, на яку викидається сніг, натисніть курок на ручці дефлектора жолоба, а потім підніміть дефлектор жолоба. Відпустіть курок на ручці дефлектора жолоба, щоб зафіксувати дефлектор жолоба на місці.
- Щоб зменшити відстань, на яку викидається сніг, просто опустіть дефлектор за допомогою ручки дефлектора жолоба.

ОЧИЩЕННЯ ЖОЛОБА

- Вимкніть двигун і шнек!
- Вийміть акумуляторну батарею(-і) з повітродувки.
- Дочекайтеся, доки шнек перестане обертатися.
- Завжди використовуйте інструменти для очищення, такі як дерев'яна паличка або інші інструменти для очищення, наявні в продажу; не прочищайте рукою.

ІНДИКАТОР ЖИВЛЕННЯ НА СНІГООЧИСНИКУ

Індикатор живлення загоряється лише під час запуску снігоочисника.

ІНДИКАТОР ЖИВЛЕННЯ	ЗНАЧЕННЯ	ДІЯ
Блимає зеленим	Запобіжна кнопка натиснута, і снігоочисник увімкнений та готовий до роботи. Рівень заряду кожного вставленого акумулятора становить принаймні 15 %.	н/з
Світиться зеленим	Снігоочисник працює нормально; кожен акумулятор має принаймні 15% заряду.	н/з
Блимає червоним	Рівень заряду акумуляторних батарей низький. Шнек не обертається, але світлодіодні фари можуть ненадовго загорітися.	Вимкніть снігоочисник і зарядіть акумулятор(и).
Світиться оранжевим	Снігоочисник перегрівся.	Зупиніть снігоочисник і почекайте деякий час, щоб охолодити інструмент.
Блимає оранжевим	Снігоочисник перевантажений.	Вийміть акумулятор(и). Перевірте та видаліть сніг, що скупчився під шнеком або застряг у ньому. Уповільніть темп або зменште ширину смуги прибирання снігу під час роботи.
Поперемінно блимає червоним і зеленим	Збій зв'язку.	Зверніться до сервісного центру EGO для ремонту.

UK

Немає індикації	Якщо світлодіодний індикатор на одному або обох акумуляторах блимає помаранчевим або червоним, це означає, що акумулятор перегрівся.	Зупиніть снігоочисник і дайте акумуляторній батареї охолонути.
	Інші несправності: вимикач, світло тощо.	Зверніться до сервісного центру EGO для ремонту.

ЗАХИСТ СНІГООЧИСНИКА ВІД ПЕРЕВАНТАЖЕННЯ

Щоб запобігти перевантаженню, не намагайтесь одночасно видаляти занадто багато снігу. Уповільніть темп або зменште ширину смуги прибирання снігу.

Ваш снігоочисник має вбудовані елементи, чутливі до перевантаження. Коли снігоочисник перевантажений, мотор автоматично зменшує швидкість, і ви чуєте зменшення рівня шуму мотора. У разі перевантаження вповільніть темп або зменште ширину розчищення, після чого швидкість двигуна автоматично повернеться до свого звичайного значення. Якщо цей спосіб не вирішує проблему перевантаження, датчик автоматично вимикає мотор, а індикатор живлення блимає помаранчевим. Вийміть акумуляторну батарею(-і) з повітродувки. Перевірте, чи не застряг сніг або лід у шнеку та деці, та за необхідності видаліть їх за допомогою інструмента для очищення. Установіть акумулятор(и) на місце та запустіть снігоочисник.

ЗАХИСТ АКУМУЛЯТОРА ВІД ВИСОКОЇ ТЕМПЕРАТУРИ

Якщо температура акумулятора перевищує 70°C під час роботи, схема захисту від перегріву негайно вимкне снігоочисник, щоб захистити акумулятор від пошкодження внаслідок перегріву. Індикатор живлення на снігоочиснику буде вимкнений, а світлодіодний індикатор на акумуляторній батареї блиматиме помаранчевим або горітиме червоним. Див. розділ «**ЗАХИСТ БАТАРЕЇ**» в посібнику користувача акумулятора для отримання додаткової інформації про світлодіодний індикатор на акумуляторній батареї.

Emniyet anahtarını kolunu bırakın ve aşırı ısınmış akü paket(ler)i soğuyana ve akü LED göstergesindeki ışık yeşile dönene kadar bekleyin, ardından kar püskürtme makinesini

yeniden çalıştırın.

Відпустіть запобіжний перемикач і зачекайте, доки перегріваний акумулятор(и) не охолоне, а світлодіодний індикатор акумулятора не стане зеленим, а потім знову запустіть снігоочисник.

Щоб запобігти вимкненню через захист батареї від високої температури, не намагайтесь використовувати одну батарею для живлення снігоочисника, коли глибина снігу перевищує 76 мм або коли сніг дуже мокрий або крижаний. Ми рекомендуємо використовувати два акумулятори одночасно. Це корисно для досягнення максимальної потужності снігоочисника.

Після спрацювання високотемпературного захисту зменште темп і звузьте ширину прибирання снігу, щоб знизити навантаження на акумулятор.

ОБСЛУГОВУВАННЯ

⚠ ПОПЕРЕДЖЕННЯ. Перед виконанням будь-яких робіт із технічного обслуговування снігоочисника обов'язково вимкніть пристрій та вийміть акумулятори.

ЗАГАЛЬНИЙ ТЕХНІЧНИЙ ДОГЛЯД

Не використовуйте розчинники для очищення пластмасових деталей. Більшість пластмас чутливі до різноманітних промислових розчинників і можуть бути ними пошкоджені. Для видалення бруду, пилу, мастила тощо користуйтеся чистою ганчіркою.

ЗМАЩУВАННЯ ІНСТРУМЕНТА

Усі підшипники в цьому виробі змащуються достатньою кількістю високоякісного мастила на весь термін служби пристрою в нормальних умовах експлуатації. Отже, додаткове змащування підшипників не потрібне.

ЗАМІНА ШКРЕБКА

Необхідні інструменти (не входять у комплект):

- Ріжковий ключ на 8 мм
- Викрутка T20 Torx

1. Шкребок розташований у нижній частині деки снігоочисника, під шнеком (рис. F1).

F1-1	Шкребок
------	---------

2. Переверніть снігоочисник на бік (рис. F2).
3. Відягніть рукавички. Зніміть 5 комплектів гайок, пружинних шайб і болтів зовні та викрутіть 2 гвинти Torx зсередини. Від'єднайте зношений шкребок (рис. F2).

F2-1	Зовнішня гайка (x5)	F2-2	Гвинт Toxh (2 шт.)
------	---------------------	------	--------------------

4. Прикріпіть новий шкребок і вставте 2 гвинти Toxh (рис. F3).

F3-1	Внутрішній отвір (x2)	F3-2	Шкребок (блискуча поверхня спрямована всередину)
F3-3	Гвинт Toxh (2 шт.)		

5. Вставте 5 болтів і затягніть пружинними шайбами та гайками (рис. F4 та F5).

F5-1	Гайка	F5-2	Пружинна шайба
F5-3	Дека	F5-4	Шкребок
F5-5	Болт		

ЗАМІНА ГУМОВИХ ЛОПАТЕЙ І ГУМОВИХ ШНЕКІВ

Заміна гумових лопатей (Рис. G1)

G1-1	Гумові лопаті	G1-2	2 комплекти болтів і гайок на кожній лопаті (усього 4 комплекти)
------	---------------	------	--

Необхідні інструменти (не входять у комплект):

- Викрутка з плоскою головкою
 - Ріжковий ключ на 10 мм
1. Вдягніть рукавички. Вручну поверніть сталевий шнек у відповідне положення для полегшення зняття гумової лопаті.
 2. Зніміть усі болти й гайки, щоб зняти гумові лопаті.
 3. Замініть їх на нові гумові лопаті та надійно затягніть їх.

Заміна гумових шнеків (рис. G2)

G2-1	Гумовий шнек (x4)	G2-2	1 комплект болтів, шайб і гайок на кожен шнек (усього 4 комплекти)
G2-3	2 комплекти болтів і гайок на кожен шнек (усього 8 комплектів)		

Необхідні інструменти:

- ріжковий ключ на 13 мм (не входить у комплект)
- Шестигранний ключ на 5 мм (входить у комплект)

1. Вдягніть рукавички. Уручну поверніть сталевий шнек у відповідне положення для полегшення розбирання шнека.
2. Зніміть усі кріпильні болти і гайки, щоб вийняти гумові шнеки.
3. Замініть їх на нові гумові шнеки й надійно затягніть їх.

ЗБЕРІГАННЯ СНІГООЧИСНИКА

- Вийміть акумулятор(и) та зберігайте їх у безпечному місці, недоступному для дітей.

Перед зберіганням витріть усю вологу, бруд або сміття з батарейного відсіку та навколо нього.

- Протріть снігоочисник чистою сухою тканиною.
- Перевірте, чи затягнуто всі гайки, болти, ручки, гвинти і т. д.
- Огляньте рухомі частини на предмет пошкоджень, поломок і зносу. Виконайте ремонт будь-яких пошкоджених або відсутніх частин.
- Складіть бічні рейки в положення зберігання.
- Зберігайте снігоочисник у чистому, сухому, закритому місці, недоступному для дітей.
- Не зберігайте поруч із корозійними матеріалами, такими як добрива або кам'яна сіль.

СКЛАДАННЯ БІЧНИХ РЕЙОК

1. Посуньте ручку повороту жолоба до упору вперед, щоб жолоб був повернутий вліво, що забезпечить відсутність перешкод під час складання. Натисніть курок на ручці дефлектора жолоба, щоб повністю опустити його вниз (рис. H1).
2. Відкрийте важелі ексцентрика по обидва боки, щоб скласти бічні рейки в положення для зберігання (рис. H2).

ПІДЙОМ І ПЕРЕНЕСЕННЯ СНІГООЧИСНИКА

1. Вийміть акумулятор(и).
2. Складіть бічні рейки, як описано в попередньому розділі.
3. Підніміть і перенесіть агрегат, взявшись однією рукою за ручку підйому, а іншою рукою за область підйому над снігозабірником (прямо під логотипом EGO) (рис. I).

I-1	Зона підйому	I-2	Ручка підйому
-----	--------------	-----	---------------

UK

ЗАХИСТ ДОВКІЛЛЯ



WEEE (відходи електричного та електронного устаткування) Не викидайте електричне обладнання, акумулятор і зарядний пристрій у побутові відходи! Віднесіть цей виріб авторизованому переробнику й надайте його для роздільного збирання. Електроінструменти необхідно повернути в підприємство, що займається екологічно безпечною переробкою.

UK

УСУНЕННЯ НЕСПРАВНОСТЕЙ

НЕСПРАВНІСТЬ	ПРИЧИНА	ВИРІШЕННЯ
Бічні поручні не залишаються на своїх місцях.	<ul style="list-style-type: none"> Ручки блокування на бічних рейках і важелі ексцентрика не зафіксовано. 	<ul style="list-style-type: none"> Переконайтеся, що ручки блокування на бічних поручнях повністю затягнуті, а важелі ексцентрика повністю закриті.
Снігоочисник не запускається.	<ul style="list-style-type: none"> Заряд акумулятора низький. Шнек замерзає від снігу або льоду. Акумуляторна батарея перегріта. Світлодіодний індикатор на акумуляторі(-ах) блимає помаранчевим або світиться червоним (див. розділ «ЗАХИСТ АКУМУЛЯТОРА ВІД ВИСОКОЇ ТЕМПЕРАТУРИ» в цьому посібнику). Неправильні дії для ввімкнення снігоочисника. Невідома несправність 	<ul style="list-style-type: none"> Зарядіть акумулятор. Спочатку вийміть акумулятор(и), а потім скористайтесь інструментом для очищення, щоб очистити шнек від снігу або льоду. Установіть акумулятори на місце та запустіть снігоочисник. Вийміть перегрітий акумулятор(и) зі снігоочисника та зачекайте, доки акумулятор(и) не охолоне приблизно до 67°C. Установіть акумулятор(и) на місце та запустіть снігоочисник. (1) Натискайте запобіжну кнопку, доки індикатор живлення не почне блимати зеленим. (2) Утримуючи кнопку, потягніть засувний перемикач вгору, щоб він сумістився з основною рукояткою. Зверніться до сервісного центру EGO для ремонту.
Мотор увімкнено, але шнек не повертається.	<ul style="list-style-type: none"> Привідний ремінь зношений чи порвався. 	<ul style="list-style-type: none"> Зверніться до сервісного центру EGO для ремонту.
Після проїзду снігоочисник залишає на землі шар снігу.	<ul style="list-style-type: none"> Шкребок зношений. 	<ul style="list-style-type: none"> Замініть шкребок відповідно до розділу «ЗАМІНА ШКРЕБКА» в цьому посібнику.
Снігоочисник викидає менше снігу.	<ul style="list-style-type: none"> Гумові лопаті зношені. Швидкість шнека може бути надто низькою. 	<ul style="list-style-type: none"> Замініть гумові лопаті відповідно до розділу «ЗАМІНА ГУМОВИХ ЛОПАТЕЙ» цього посібника. Збільшення швидкості шнека.
Шнек не набирає тяги, і потрібне додаткове зусилля, щоб проштовхнути снігоочисник уперед.	<ul style="list-style-type: none"> Гумові шнеки зношені. 	<ul style="list-style-type: none"> Замініть гумові шнеки, дотримуючись розділу «ЗАМІНА ГУМОВИХ ШНЕКІВ» у цьому посібнику.

UK



ГАРАНТІЯ

ПРАВИЛА ГАРАНТІЇ EGO

Відвідайте веб-сайт egopowerplus.com для отримання повного тексту умов гарантійної політики EGO.

UK

202

56-ВОЛЬТНИЙ ЛІТІЙ-ІОННИЙ АКУМУЛЯТОРНИЙ СНІГООЧИСНИК — SNT2120E-AP

ПРОЧЕТЕТЕ ВСИЧКИ ИНСТРУКЦИИ!



ПРОЧЕТЕТЕ РЪКОВОДСТВОТО НА ОПЕРАТОРА

СИМВОЛ ЗА БЕЗОПАСНОСТ

Експлоатацията на всички електрически инструменти, може да доведе до изхвърляне на чужди предмети към вашите очи, което може да доведе до сериозно нараняване на очите. Преди започване на работа с електрически инструмент, винаги носете предпазни очила със странична защита и визьор за цялото лице, когато е необходимо. Ние препоръчваме предпазна маска с широк визьор за употреба над очила или стандартни предпазни очила със странична защита.



Сигнал за безопасност



За намаляване на опасността от нараняване, потребителят трябва да прочете и разбере ръководството на оператора преди използването на този продукт.



Винаги носете предпазни очила със странична защита и предпазен екран за цялото лице, когато работите с този продукт.



Не използвайте ръцете си за отпушване на улея.



ВНИМАНИЕ: Не гледайте работната лампа.



Дръжте краката и ръцете далеч



Дръжте краката си далеч от въртящото се работно колело



Гарантирано ниво на мощност на звука. Звуковите емисии към околната среда са в съответствие с директивите на европейската общност.



Отпадъчните електрически продукти не трябва да бъдат изхвърляни заедно с домакинския отпадък. Отнесете го до упълномощено място за рециклиране.



Този продукт е в съответствие с приложимите директиви на ЕС.



Постоянен ток



Този продукт е в съответствие с приложимото законодателство на Великобритания.

IPX4

Степен на защита срещу проникване на вода

V

Волт

cm

Сантиметри

m

Метър

kg

Килограм

BG

СПЕЦИФИКАЦИИ

Напрежение	56 V	
Ширина на почистване	520 мм	
Височина на поемане	330 мм	
Разстояние на изхвърляне	До 14 м	
Размер на колелата	178 мм	
Препоръчителна работна температура	-20°C - 10°C	
Температура на съхранение	-20°C - 70°C	
Тегло (без акумулаторна батерия)	27 кг	
Измерено ниво на сила на звука L_{WA}	96 dB(A) K=1,8 dB(A)	
Ниво на звуково налягане при ухото на оператора L_{PA}	80 dB(A) K=4 dB(A)	
Гарантирано ниво на сила на звука L_{WA} (измерено съгласно 2000/14/EC)	98 dB(A)	
Оценка на вибрации a_{Hv} :	Лява ръкохватка	1,3 m/s ² K=1,5 m/s ²
	Дясна ръкохватка	1,3 m/s ² K=1,5 m/s ²

- Декларираният общ размер на вибрации е измерен в съответствие със стандартния метод за тест и може да бъде използван за сравнение между два инструмента;
- Декларираният общ размер на вибрации може също така да бъде използван за предварителна оценка на влиянието.

БЕЛЕЖКА: Вибрационните емисии по време на действителната употреба на електрическия инструмент може да се различава от декларираната стойност. С цел да се защити оператора, потребителят трябва да носи ръкавици и антифони в действителни условия на работа.

ПРЕПОРЪЧИТЕЛНИ АКСЕСОАРИ

⚠ ПРЕДУПРЕЖДЕНИЕ: Следните части подлежат на износване при нормална употреба. Използвайте само идентични резервни части посочени по-долу. Употребата на части, които не съответстват със

спецификациите на стандартното оборудване, могат да доведат до неправилна работа и компрометирана безопасност.

ИМЕ НА ЧАСТ	НОМЕР НА МОДЕЛ
Комплект гумено гребло и гумен шнек	ARP2120
Стъргалка	ASS2120

ОПИСАНИЕ

ОПОЗНАЙТЕ ВАШАТА МАШИНА ЗА ПОЧИСТВАНЕ НА СНЯГ (Фиг. А1 - А3)

1. Главна ръкохватка
2. Дръжка превключвател (превключващ пост)
3. Електрически индикатор
4. Дръжка за повдигане
5. Лост за бързо освобождаване
6. Капак на отделението за батериите
7. Колело (x2)
8. Капак на задвижващия ремък
9. Възел на шнека
10. LED фарове
11. Дефлектор на улея
12. Ръкохватка за дефлектора на улея
13. Ръкохватка за завъртане на улея
14. Ключ шестограм
15. Регулатор на скоростта на шнека
16. Превключвател за LED фарове
17. Бутон за безопасност
18. Бутон за освобождаване на батерията
19. Копче за заключване
20. Резе
21. Механизъм за изваждане
22. Електрически контакт

ОПАКОВЪЧЕН ЛИСТ (ФИГ. А1)

МОНТАЖ

РАЗГЪВАНЕ НА СТРАНИЧНИТЕ РЕЛСИ

1. Вашата машина за почистване на сняг се доставя със страничните релси в сгънато, заключено положение (фиг. В1).

- Отворете лостовете за бързо освобождаване от двете страни и леко завъртете страничните релси нагоре, докато спрат (фиг. В2 и В3).
- Затворете лостовете за бързо освобождаване и след това затегнете заключващите копчета (фиг. В4).

МОНТИРАНЕ НА УЛЕЯ

- Използвайте предоставения шестограмен ключ, за да разхлабите и премахнете двата комплекта болтове и шайби в основата на улея (фиг. С1).

C1-1	Основа на улея
------	----------------

- Подравнете жлебовете на улея с прореза на основата на улея и след това натиснете улея на място (фиг. С2).

C2-1	Жлеб на улея	C2-2	Прорез на основата на улея
------	--------------	------	----------------------------

- Използвайте предоставения ключ шестограм, за да заключите улея на място с двата комплекта болтове и шайби (фиг. С3).

ЕКСПЛОАТАЦИЯ

МОНТИРАНЕ/ИЗВАЖДАНЕ НА АКУМУЛАТОРНАТА БАТЕРИЯ

Използвайте единствено с акумулаторни батерии EGO и зарядни устройства изброени във фиг. А4.

Обърнете се към съответните ръководства за батерии и зарядни устройства за повече подробности.

Заредете напълно преди първата употреба.

- Повдигнете капака на отделението за батерии, като повдигнете предната част на капака (фиг. D1).
- За закрепване:** Подравнете ребрата на акумулаторната батерия с монтажните жлебове и натиснете батерията надолу, докато чуете "щракване" Прикрепете другата батерия. (Фиг. D2)
- За откачване:** Натиснете бутона за освобождаване на батерията и издърпайте акумулаторната батерия навън (Фиг. D3).

D3-1	Бутон за освобождаване на батерията
------	-------------------------------------

- Затворете капака на отделението за батерията.

ПУСКАНЕ/СПИРАНЕ НА МАШИНАТА ЗА ПОЧИСТВАНЕ НА СНЯГ

БЕЛЕЖКА: Не включвайте и изключвайте бързо машината за почистване на сняг.

За стартиране на машината за почистване на сняг

- Прикрепете батерията(ите) към машината за почистване на сняг и затворете капака на батерията.
- Включете машината за почистване на сняг, като натиснете предпазния бутон.
- С натиснат предпазен бутон, издърпайте фиксатора нагоре, за да се изравни с главната ръкохватка (фиг. E1).

E1-1	Бутон за безопасност	E1-2	Фиксатор
------	----------------------	------	----------

- След като шнекът стартира, освободете предпазния бутон и започнете работа (фиг. E2).
- За да продължите напред,** повдигнете главната ръкохватка, за да позволите на шнека да влезе в контакт със земята (фиг. E3). Сцеплението на шнека ще помогне при придвижването на машината за почистване на сняг напред.

E3-1	Нормална работна позиция	E3-2	Позиция на задвижвания шнек
E3-3	Шнековият възел контактува със земята		

БЕЛЕЖКА: Машината за почистване на сняг може да не стартира правилно, ако температурата на батериите е -20°C или по-ниска. Ако машината за почистване на сняг не стартира, отстранете батерията от машината за почистване на сняг и я оставете да се затопли на закрито за 10 минути или по-продължително. Инсталирайте отново батерията и опитайте пак.

За спиране на машината за почистване на сняг

- Освободете изцяло фиксатора (фиг. E4).

E4-1	Бутон за безопасност (напълно освободен)	E4-2	Фиксатор (напълно освободен)
------	--	------	------------------------------

- Електрическата спирачка в автоматичния спирачен механизъм ще спре въртенето на шнека, след като фиксаторът бъде освободен.

Система за променлива скорост на шнека (фиг. E5)

- За да увеличите скоростта на шнека, преместете регулатора за скоростта на шнека далеч от

- оператора.
2. За да намалите скоростта, преместете регулатора за скоростта на шнека към оператора.

LED фарове (фиг. E6)

1. За да включите фаровете, натиснете превключвателя за LED фарове. Фаровете осигуряват ярка светлина пред машината за почистване на сняг.
2. За да изключите фаровете, натиснете отново превключвателя за LED фарове.

БЕЛЕЖКА: LED фаровете ще се изключат автоматично, когато машината за почистване на сняг е неактивна за 5 минути, за да се запази зарядът на батерията.

РЕГУЛИРАНЕ НА УЛЕЯ

Посоката на снегопочистване може да се регулира до 180° (фиг. E7).

E7-1	Ръкохватка за завъртане на улея	E7-2	Улей
------	---------------------------------	------	------

1. Натиснете ръкохватката за завъртане на улея напред, за да завъртите улея наляво.
2. Издърпайте ръкохватката за завъртане на улея назад, за да завъртите улея надясно.

Разстоянието на изхвърляне на машината за почистване на сняг се определя отчасти от ъгъла на наклона на дефлектора на улея (фиг. E8).

E8-1	Спусък	E8-2	Дефлектор на улея
------	--------	------	-------------------

1. За да увеличите разстоянието, на което се изхвърля снегът, натиснете спусъка на ръкохватката на дефлектора на улея и след това повдигнете дефлектора на улея. Освободете спусъка на ръкохватката на дефлектора на улея, за да заключите дефлектора на улея на място.
2. За да намалите разстоянието, на което се изхвърля снегът, просто спуснете дефлектора с ръкохватката на дефлектора на улея.

BG

ПОЧИСТВАНЕ НА ЗАДРЪСТЕН УЛЕЙ

1. Изключете двигателя и шнека!
2. Извадете акумулаторната(ите) батерия(и) от машината за почистване на сняг.

3. Изчакайте, докато шнекът спре да се върти.
4. Винаги използвайте инструмент за почистване, като дървен прът или други инструменти за почистване, които се предлагат в търговската мрежа; не използвайте ръката си.

ИНДИКАТОР ЗА ЗАХРАНВАНЕ НА МАШИНАТА ЗА ПОЧИСТВАНЕ НА СНЯГ

Индикаторът за захранване ще свети само когато машината за почистване на сняг е стартирана.

ИНДИКАТОР ЗА МОЩНОСТ	ЗНАЧЕНИЕ	ДЕЙСТВИЕ
Мигащо зелено	Бутонът за безопасност е натиснат и машината за почистване на сняг е включена и готова за работа. Всяка поставена батерия има поне 15% заряд.	Неприложимо
Светещо зелено	Машината за почистване на сняг работи правилно и всяка батерия има поне 15% заряд.	Неприложимо
Мигащо червено	Нивото на зареждане на батерията(ите) е ниско. Шнекът не се върти, но LED фаровете може да светят за кратко.	Спрете машината за почистване на сняг и заредете акумулаторната(ите) батерия(и).
Светещо оранжево	Машината за почистване на сняг е прегряла.	Спрете машината за почистване на сняг и изчакайте известно време, за да се охлади машината.

Мигащо оранжево	Машината за почистване на сняг е претоварена.	Премахнете акумулаторната (ите) батерия(и). Проверете и почистете снега, който се е събрал отдолу или е заседнал в шнека. Забавете темпото си или намалете ширината на откоса на снегочистването, когато работите.
Мига последователно червено и зелено	Грешка в комуникацията.	Свържете се с сервизния център на EGO за ремонт.
Няма индикация	Ако светодиодният индикатор на едната или двете батерии мига в оранжево или свети в червено, батерията(ите) е(са) прегрята(и).	Спрете машината за почистване на сняг и оставете батерията да се охлади.
	Други повреди: превключвател, светлина и др.	Свържете се с сервизния център на EGO за ремонт.

ЗАЩИТА ОТ ПРЕТОВАРВАНЕ НА МАШИНАТА ЗА ПОЧИСТВАНЕ НА СНЯГ

За да предотвратите условия на претоварване, не се опитвайте да режете отстранявате твърде много сняг наведнъж. Забавете темпото си или намалете ширината на откоса на снегочистването.

Вашата машина за почистване на сняг има вградени сензорни елементи за защита от претоварване. Когато машината за почистване на сняг е претоварена, двигателят ще намали скоростта автоматично и ще чуете силата на звука от двигателя да намалява. В случай на претоварване, забавете темпото си или стеснете ширината на изчистване, след което скоростта на двигателя ще възобнови нормалната си настройка автоматично. Ако тази мярка не решава ситуацията с претоварването, сензорът ще изключи

двигателя автоматично и индикаторът на захранването ще мига в оранжево. Извадете акумулаторната(ите) батерия(и) от машината за почистване на сняг. Проверете дали има заседнал сняг или лед в шнека и платформата и използвайте инструмент за почистване, за да ги почистите, ако е необходимо. Инсталирайте отново батерията(ите) и рестартирайте машината за почистване на сняг.

ЗАЩИТА НА БАТЕРИЯТА ОТ ВИСОКА ТЕМПЕРАТУРА

Ако температурата на батерията надвиши 70°C по време на работа, веригата за температурна защита незабавно ще изключи машината за почистване на сняг, за да предпази батерията от повреда от прегряване. Индикаторът за захранване на машината за почистване на сняг ще бъде изключен, а светодиодният индикатор на батерията ще мига в оранжево или ще свети в червено. Моля, вижте раздела „ЗАЩИТА НА БАТЕРИЯТА“ в ръководството за оператора на батерията за повече информация относно LED индикатора на батерията.

Освободете предпазния превключвател и изчакайте, докато прегряният(ите) акумулаторна(и) батерия(и) изстинат и светлината на LED индикатора на батерията стане зелена, след което рестартирайте машината за почистване на сняг.

За да предотвратите изключване поради защита от висока температура на батерията, не се опитвайте да използвате само една батерия за захранване на машината за почистване на сняг, когато дълбочината на натрупания сняг надвишава 76 мм или когато снегът е много мокър или заледен. Препоръчваме използването на две батерии, работещи едновременно. Това е полезно за постигане на максимална мощност на машината за почистване на сняг.

След като се появи защита от висока температура, забавете темпото си и стеснете ширината на откоса на снегочистването, за да намалите натоварването на батерията.

ПОДДРЪЖКА

▲ ПРЕДУПРЕЖДЕНИЕ: Уверете се, че сте изключили уреда и сте извадили батерията(ите), преди да извършите каквато и да е работа по поддръжката на вашата машина за почистване на сняг.

ОБЩА ПОДДРЪЖКА

Избягвайте употребата на разтворители, когато почиствате пластмасовите части. Повечето

пластмасови части са уязвими на повреда от различни видове разтворители в търговската мрежа и може да се повредят от тяхната употреба. Използвайте чист плат, за премахване на мръсотия, прах, масло и т.н.

СМАЗВАНЕ НА МАШИНАТА

Всички лагери на този продукт са смазани с количество висококачествена смазка достатъчно за целия експлоатационен живот на машината при нормални условия на работа. Поради това не е необходимо допълнително смазване на лагерите.

СМЯНА НА СТЪРГАЛКАТА

Необходими инструменти (не са включени):

- Гаечен ключ с отворен край 8 мм
- Отвертка T20 Torx

1. Стъргалката се намира в долната част на платформата на машината за почистване на сняг, под шнека (фиг. F1).

F1-1	Стъргалка
------	-----------

2. Обърнете машината за почистване на сняг настрани (фиг. F2).
3. Носете ръкавици. Отстранете 5-те комплекта гайки, пружинни шайби и болтове отвън и отстранете 2-те винта Torx отвътре. Отстранете износената стъргалка (фиг. F2).

F2-1	Външна гайка (x5)	F2-2	Винт Torx (x2)
------	-------------------	------	----------------

4. Прикрепете новата стъргалка и поставете 2-та винта Torx (фиг. F3).

F3-1	Вътрешен отвор (x2)	F3-2	Стъргалка (лъскава повърхност, обръната навътре)
F3-3	Винт Torx (x2)		

5. Поставете 5-те болта и ги затегнете с пружинни шайби и гайки (фиг. F4 и F5).

F5-1	Гайка	F5-2	Пружинна шайба
F5-3	Платформа	F5-4	Стъргалка
F5-5	Болт		

СМЯНА НА ГУМЕНИТЕ ЛОПАТКИ И ГУМЕНИТЕ ШНЕКОВЕ

За да смените гумените лопатки: (Фиг. G1)

G1-1	Гумени лопатки	G1-2	2 комплекта болтове и гайки на всяка лопатка (общо 4 комплекта)
------	----------------	------	---

Необходими инструменти (не са включени):

- Плоска отвертка
 - Гаечен ключ с отворен край 10 мм
1. Носете ръкавици. Завъртете ръчно стоманения шнек в подходящата позиция за лесно разглобяване на гумената лопатка.
 2. Отстранете всички закрепващи болтове и гайки, за да снемете гумените лопатки.
 3. Сменете ги с новите гумени лопатки и ги затегнете здраво.

За подмяна на гумените шнекове (фиг. G2)

G2-1	Гумен шнек (x4)	G2-2	1 комплект болтове, шайби и гайки на всеки шнек (общо 4 комплекта)
G2-3	2 комплекта болтове и гайки на всеки шнек (общо 8 комплекта)		

Необходими инструменти:

- Гаечен ключ с отворен край 13 мм (не е включен)
 - 5 мм ключ шестограм (доставен)
1. Носете ръкавици. Завъртете ръчно стоманения шнек в подходящата позиция за лесно разглобяване на гумения шнек.
 2. Отстранете всички закрепващи болтове и гайки, за да снемете гумените шнекове.
 3. Сменете ги с новите гумени шнекове и ги затегнете здраво.

СЪХРАНЯВАНЕ НА МАШИНАТА ЗА ПОЧИСТВАНЕ НА СНЯГ

- Отстранете акумулаторната(ите) батерия(и) и ги съхранете на сигурно място извън обсега на деца.

Преди съхранение избършете влагата, нечистотията или отлаганията от и около отделението за батериите.

- Избършете машината за почистване на сняг с чиста, суха кърпа.

- Проверете всички гайки, болтове, бутони, винтове и т.н. за затягане.
- Инспектирайте движещите се части за повреда, счупване и износване. Извършете ремонт на всички повредени или липсващи части.
- Сгънете страничните релси в позиция за съхранение.
- Съхранете машината за почистване на сняг на чисто, сухо, затворено място извън обсега на деца.
- Не я съхранявайте в близост до корозивни материали като тор или каменна сол.

СГЪВАНЕ НА СТРАНИЧНИТЕ РЕЛСИ

1. Натиснете ръкохватката за завъртане на улея докрай напред, така че улеят да е обърнат наляво, което ще гарантира, че няма да причинява смущения при сгъване. Натиснете спусъка на ръкохватката на дефлектора на улея, за да го наклоните докрай надолу (фиг. Н1).
2. Отворете лостовете за бързо освобождаване от двете страни, за да сгънете страничните релси в позиция за съхранение (фиг. Н2).

ПОВДИГАНЕ И ПРЕНАСЯНЕ НА МАШИНАТА ЗА ПОЧИСТВАНЕ НА СНЯГ

1. Премахнете акумулаторната(ите) батерия(и).
2. Сгънете страничните релси, както е описано в предишната глава.
3. Повдигнете и пренесете уреда, като хванете ръкохватката за повдигане с едната ръка и зоната за повдигане, отгоре на входа за сняг (точно под логото на EGO), с другата ръка (фиг. I).

I-1	Площ на повдигане	I-2	Ръкохватка за повдигане
-----	-------------------	-----	-------------------------

ОПАЗВАНЕ НА ОКОЛНАТА СРЕДА



WEEE (Отпадъчно електрическо и електронно оборудване) Не изхвърляйте електрическо оборудване, използвана батерия или зарядно устройство в домакинския отпадък! Отнесете продукта до упълномощена фирма за рециклиране и го предоставете за разделно събиране. Електрическите инструменти трябва да бъдат връщани в съоръжения за рециклиране съвместими с околната среда.

BG

ОТСТРАНЯВАНЕ НА ПРОБЛЕМИ

ПРОБЛЕМ	ПРИЧИНА	РЕШЕНИЕ
Страничните релси не остават на място.	<ul style="list-style-type: none"> ■ Заклучващите копчета на страничните релси и/или лостовете за бързо освобождаване не са затегнати. 	<ul style="list-style-type: none"> ■ Уверете се, че заклучващите копчета на страничните релси са напълно затегнати и лостовете за бързо освобождаване са напълно затворени.
Машината за почистване на сняг не стартира.	<ul style="list-style-type: none"> ■ Зарядът на батерията е нисък. ■ Шнекът е замръзнал от сняг или лед. ■ Акумулаторната батерия е прегрята. LED индикаторът на батерията(ите) мига в оранжево или свети в червено (вижте раздел „ЗАЩИТА ОТ ВИСОКА ТЕМПЕРАТУРА НА БАТЕРИЯТА“ в това ръководство). ■ Извършени са неправилни стъпки за захранване на машината за почистване на сняг. ■ Неидентифицирана грешка 	<ul style="list-style-type: none"> ■ Заредете батерията. ■ Първо отстранете батерията(ите), след което използвайте инструмент за почистване, за да почистите снега или леда, които пречат на шнека. Инсталирайте отново батериите и рестартирайте машината за почистване на сняг. ■ Извадете прегрялата(те) акумулаторна(и) батерия(и) от машината за почистване на сняг и изчакайте, докато акумулаторната(ите) батерия(и) се охладят до приблизително 67°C. Инсталирайте отново батерията(ите) и рестартирайте машината за почистване на сняг. ■ (1) Натиснете бутона за безопасност, докато индикаторът за захранване мига в зелено. (2) С натиснат бутон, издърпайте фиксатора нагоре, за да се изравни с главната ръкохватка. ■ Свържете се с сервизния център на EGO за ремонт.
Моторът е включен, но шнекът не се върти.	<ul style="list-style-type: none"> ■ Задвижващият ремък е износен или счупен. 	<ul style="list-style-type: none"> ■ Свържете се с сервизния център на EGO за ремонт.
След като премине, машината за почистване на сняг оставя слой сняг на земята.	<ul style="list-style-type: none"> ■ Стъргалката е износена. 	<ul style="list-style-type: none"> ■ Сменете стъргалката, като следвате раздела „СМЯНА НА СТЪРГАЛКАТА“ в това ръководство.
Машината за почистване на сняг изхвърля по-малко сняг.	<ul style="list-style-type: none"> ■ Гумените лопатки са износени. ■ Скоростта на шнека може да е твърде ниска. 	<ul style="list-style-type: none"> ■ Сменете гумените лопатки, като следвате раздела „ЗА СМЯНА НА ГУМЕНИТЕ ЛОПАТКИ“ в това ръководство. ■ Увеличете скоростта на шнека.



ПРОБЛЕМ	ПРИЧИНА	РЕШЕНИЕ
Шнекът не успява да се зацели и изисква допълнително усилие, за да избутва машината за почистване на сняг напред.	<ul style="list-style-type: none">■ Гумените шнекове са износени.	<ul style="list-style-type: none">■ Сменете гумените шнекове, като следвате раздела „ЗА СМЯНА НА ГУМЕНИТЕ ШНЕКОВЕ“ в това ръководство.

ГАРАНЦИЯ

ГАРАНЦИОННА ПОЛИТИКА EGO

Моля, посетете уебсайта egopowerplus.com за пълните срокове и условия по гаранционната политика на EGO.

BG

PROČITAJTE UPUTE U CIJELOSTI!**PROČITAJTE KORISNIČKI PRIRUČNIK****SIMBOL O SIGURNOSTI**

Rukovanje električnim alatima može rezultirati odbacivanjem stranih predmeta u oči, što opet može izazvati teške ozljede očiju. Pri radu s električnim alatom nosite zatvorene zaštitne naočale ili zaštitne naočale s bočnim štيتnicima, a prema potrebi i štيتnik za cijelo lice. Preporučujemo nošenje sigurnosne maske proizvođača Wide Vision preko naočala ili nošenje standardnih zaštitnih naočala s bočnim štيتnicima.



Simbol upozorenja



Radi smanjenja opasnosti od ozljeda, prije uporabe ovog proizvoda korisnik treba s razumijevanjem pročitati ovaj korisnički priručnik.



Kada rukujete ovim proizvodom, nosite zatvorene zaštitne naočale ili zaštitne naočale s bočnim štيتnicima i štيتnik za cijelo lice.



Ne koristite ruke za odčepljivanje nastavka.

**OPREZ!** Nemojte gledati u otvorenu lampu.

Držite noge i ruke podalje



Noge držite dalje od rotirajućeg rotora



Zajamčena razina snage zvuka. Emisija buke u okruženju u skladu je sa smjernicama Europske unije.



Otpadni električni proizvodi ne smiju se odlagati s otpadom iz kućanstva. Odnosite ih u ovlaštenu centar za recikliranje.



Ovaj proizvod je u skladu s važećim direktivama EU.



Istosmjerna struja



Ovaj proizvod je u skladu s važećim zakonodavstvom UK.

IPX4 Stupanj zaštite od prodora vode

cm centimetri

kg kilogram

B Volt

M Metar

TEHNIČKI PODACI

Napon	56 B	
Širina čišćenja	520 mm	
Visina usisa	330 mm	
Udaljenost odbacivanja	Do 14 m	
Veličina kotača	178 mm	
Preporučena radna temperatura	-20°C - 10°C	
Temperatura skladištenja	-20 °C – 70 °C	
Težina (bez baterijskog modula)	27 kg	
Izmjerena razina zvučne snage L_{WA}	96 dB(A) K=1,8 dB(A)	
Razina zvučnog tlaka kod uha rukovatelja L_{PA}	80 dB(A) K=4 dB(A)	
Zajamčena razina zvučne snage L_{WA} (izmjereno u skladu s 2000/14/EZ)	98 dB(A)	
Procjena vibracija a_h :	Lijeva drška	1,3 m/s ² K=1,5 m/s ²
	Desna drška	1,3 m/s ² K=1,5 m/s ²

- Deklarirane ukupne vrijednosti vibracija izmjerene su u skladu sa standardnom metodom ispitivanja i mogu se koristiti za usporedbu jednog alata s drugim.
- Deklarirane ukupne vrijednosti vibracija mogu se koristiti i u preliminarnoj procjeni izloženosti.

NAPOMENA: Emisija vibracija tijekom aktualnog korištenja električnog alata može se razlikovati od deklarirane vrijednosti u kojoj se alat koristi; Radi zaštite rukovatelja korisnik treba nositi rukavice i štitnike za uši u aktualnim uvjetima korištenja.

PREPORUČENA DODATNA OPREMA

▲ UPOZORENJE: Sljedeći dijelovi podliježu istrošenosti od normalne uporabe. Koristite samo identične zamjenjive dijelove navedene u nastavku. Korištenje dijelova koji nisu u skladu sa specifikacijama za izvornu opremu može rezultirati nepravilnim radom i smanjenom sigurnošću.

NAZIV DIJELA	BROJ MODELA
Komplet gume lopatice i gumenog vijka	ARP2120
Šipka strugača	ASS2120

OPIS

UPOZNAJTE SE S OTPUHIVAČEM SNIJEGA (sl. A1 - A3)

1. Glavna drška
2. Sigurnosna sklopka (ručica sklopke)
3. Indikator napajanja
4. Ručica za podizanje
5. Ručica za brzo oslobađanje
6. Poklopac pretinca za baterije
7. Kotač (x2)
8. Poklopac pogonskog remena
9. Sklop vijka
10. Prednja LED svjetla
11. Odbojnik kanala
12. Drška skretača nastavka za izbacivanje
13. Drška za okretanje nastavka za izbacivanje
14. Imbus ključ
15. Regulator brzine vijka
16. Prekidač prednjih LED svjetala
17. Sigurnosni gumb
18. Gumb za oslobađanje baterije
19. Gumb za zaključavanje
20. Zapor
21. Mehanizam za izbacivanje
22. Električni kontakt

PAKIRANJE (SL. A1)

SASTAVLJANJE

RASKLAPANJE BOČNIH VODILICA

1. Otpuhivač snijega isporučuje se bočnim vodilicama u preklopljenom, zaključanom položaju (sl. B1).
2. Otvorite ručice za brzo oslobađanje s obje strane i lagano zakrenite bočne vodilice prema gore dok se ne zaustave (sl. B2 i B3).

- Zatvorite ručice za brzo oslobađanje, a zatim zategnite gumb za zaključavanje (sl. B4).

POSTAVLJANJE NASTAVKA ZA IZBACIVANJE

- Koristite isporučeni imbus ključ za otpuštanje i uklanjanje dva kompleta vijaka i podložaka u bazi nastavka za izbacivanje (sl. C1).

C1-1	Baza nastavka za izbacivanje
------	------------------------------

- Poravnajte utor nastavka za izbacivanje s utorom na bazi nastavka za izbacivanje, a zatim pritisnite nastavak za izbacivanje na mjesto (sl. C2).

C2-1	Utor nastavka za izbacivanja	C2-2	Utor na bazi nastavka za izbacivanje
------	------------------------------	------	--------------------------------------

- Koristite isporučeni imbus ključ za zaključavanje nastavka za izbacivanje na mjesto pomoću dva kompleta vijaka i podložaka (sl. C3).

RAD

POSTAVLJANJE I UKLANJANJE BATERIJSKOG MODULA

Upotrebjavajte samo s baterijskim modulima i punjačima tvrtke EGO navedenima na sl. A4.

Više pojedinosti potražite u odgovarajućim priručnicima za baterijske module i punjače.

Baterijski modul potpuno napunite prije prve upotrebe.

- Podignite poklopac pretinca za baterije podizanjem prednjeg dijela poklopca (sl. D1).
- Za pričvršćivanje** poravnajte izbočenja baterije s montažnim utorima i pritisnite baterijski modul prema dolje tako da se začuje zvuk „klik“. Pričvrstite drugu bateriju. (Sl. D2)
- Za odvajanje** pritisnite gumb za oslobađanje baterije i izvucite baterijski modul (sl. D3).

D3-1	Gumb za oslobađanje baterije
------	------------------------------

- Zatvorite poklopac pretinca za baterije.

HR

POKRETANJE/ZAUSTAVLJANJE OTPUHIVAČA SNIJEGA

OBAVIJEST: Nemojte naglo isključiti pa uključiti otpuhivač snijega.

Pokretanje otpuhivača snijega

- Pričvrstite baterijske module u otpuhivač snijega i zatvorite poklopac baterija.
- UKLJUČITE puhalo za snijeg pritiskom na sigurnosni gumb.
- S pritisnutim sigurnosnim gumbom, povucite sigurnosnu sklopku gore prema glavnoj dršci (sl. E1).

E1-1	Sigurnosni gumb	E1-2	Sigurnosna sklopka
------	-----------------	------	--------------------

- Nakon pokretanja vijka, otpustite sigurnosni gumb i počnite s radom (sl. E2).
- Da biste se kretali naprijed**, podignite glavnu dršku kako biste omogućili da sklop vijka dotakne tlo (sl. E3). Vuča vijka pomoći će u pomicanju otpuhivača snijega prema naprijed.

E3-1	Normalni radni položaj	E3-2	Pogonski položaj vijka
E3-3	Sklop vijka dodiruje tlo		

OBAVIJEST: Otpuhivač snijega možda se neće pravilno pokrenuti ako je temperatura baterija -20 °C ili manja. Ako se uređaj ne pokrene, uklonite bateriju i ostavite da se zagrije u zatvorenom prostoru 10 min ili duže. Vratite bateriju i pokušajte ponovno.

Zaustavljanje rada otpuhivača snijega

- Potpuno otpustite sigurnosnu sklopku (sl. E4).

E4-1	Sigurnosni gumb (potpuno otpušten)	E4-2	Sigurnosna sklopka (potpuno otpuštena)
------	------------------------------------	------	--

- Električna kočnica u mehanizmu automatskog kočenja zaustavit će vrtnju vijka nakon otpuštanja sigurnosne sklopke.

Sustav promjenjive brzine vijka (sl. E5)

- Da biste povećali brzinu vijka pomaknite regulator brzine vijka dalje od rukovatelja.
- Da biste smanjili brzinu pomaknite regulator brzine vijka prema rukovatelju.

LED prednja svjetla (sl. E6)

- Da biste uključili prednja svjetla, pritisnite prekidač prednjih LED svjetala. Prednja svjetla pružaju jaku svjetlost s prednje strane otpuhivača snijega.
- Da biste isključili prednja svjetla, ponovno pritisnite prekidač prednjih LED svjetala.

NAPOMENA: Prednja LED svjetla automatski će se isključiti ako je otpuhivač snijega neaktivan 5 min, kako bi se sačuvala napunjenost baterije.

PODEŠAVANJE NASTAVKA ZA IZBACIVANJE

Smjer uklonjanja snijega može se podesiti do 180° (sl. E7).

E7-1	Drška za okretanje nastavka za izbacivanje	E7-2	Nastavak za izbacivanje
------	--	------	-------------------------

1. Pritisnite dršku za okretanje nastavka za izbacivanje prema naprijed da biste okrenuli nastavak za izbacivanje ulijevo.
2. Povucite dršku za okretanje nastavka za izbacivanje unatrag da biste okrenuli nastavak za izbacivanje udesno.

Udaljenost odbacivanja otpuhivača snijega djelomično je određena kutom nagiba odbojnika nastavka za izbacivanje (sl. E8).

E8-1	Okidač	E8-2	Odbojnik nastavka za izbacivanje
------	--------	------	----------------------------------

1. Da biste povećali udaljenost bacanja snijega stisnite okidač na drški odbojnika nastavka za izbacivanje, a zatim podignite odbojnik nastavka za izbacivanje. Otpustite okidač na drški odbojnika nastavka za izbacivanje kako biste zaključali Odbojnik nastavka za izbacivanje na mjesto.
2. Da biste smanjili udaljenost bacanja snijega jednostavno spustite odbojnik s ručkom odbojnika nastavka za izbacivanje.

ČIŠĆENJE ZAČEPLJENOG NASTAVKA ZA IZBACIVANJE

1. Isključite motor i vijak!
2. Uklonite baterijski modul(e) iz otpuhivača snijega.
3. Pričekajte dok se vijak prestane okretati.
4. Koristite alat za čišćenje, kao što su drvena šipka ili drugi komercijalno dostupni alati za čišćenje; ne koristite ruke.

INDIKATOR NAPAJANJA NA OTPUHIVAČU SNIJEGA

Indikator napajanja svijetlić će tek kada se pokrene otpuhivač snijega.

INDIKATOR SNAGE	ZNAČENJE	RADNJA
Trepće zeleno	Sigurnosni gumb je pritisnut, a otpuhivač snijega je uključen i spreman za rad. Svaka umetnuta baterija ima najmanje 15% napunjenosti.	nedostupno
Svijetli zeleno	Otpuhivač snijega radi ispravno i svaka baterija ima najmanje 15% napunjenosti.	nedostupno
Trepće crveno	Razina napunjenosti baterijskog modula je niska. Vijak se ne okreće, ali prednja LED svjetla mogu biti uključena kratko vrijeme.	Zaustavite otpuhivač snijega i napunite baterijske module.
Svijetli narančasto	Otpuhivač snijega je pregrijan.	Zaustavite otpuhivač snijega i pričekajte neko vrijeme da se ohladi.
Trepće narančasto	Otpuhivač snijega je preopterećen.	Uklonite baterijske module. Provjerite i očistite snijeg koji se nakupio ispod ili zaglavio u vijku. Usporite ritam ili smanjite širinu zamaha za čišćenje snijega tijekom rada.
Naizmjenično trepće crveno i zeleno	Greška u komunikaciji.	Za popravak se obratite servisnom centru tvrtke EGO.

Nema indikacija	Ako LED indikator na jednom ili oba baterijska modula trepće narančasto ili svijetli crveno, baterijski moduli se pregrijavaju.	Zaustavite otpuhivač snijega i ostavite da se baterijski modul ohladi.
	Ostale greške: prekidač, svjetlo itd.	Za popravak se obratite servisnom centru tvrtke EGO.

ZAŠTITA OTPUHIVAČA SNIJEGA OD PREGRIJAVANJA

Kako ne bi došlo do preopterećenja, nemojte uklanjati previše snijega u jednom prolazu. Usporite ritam ili smanjite širinu zamaha za čišćenje snijega.

Otpuhivač snijega ima ugrađene elemente za prepoznavanje preopterećenja. Kad je otpuhivač snijega preopterećen, motor će automatski smanjiti brzinu i smanjiti će se glasnoća rada motora. U slučaju preopterećenja, usporite ritam ili smanjite širinu čišćenja, nakon čega će brzina motora automatski nastaviti raditi na normalnoj postavci. Ako ovime ne otklonite preopterećenje, senzor će automatski isključiti motor, a indikator napajanja će treptati narančasto. Uklonite baterijski modul(e) iz otpuhivača snijega. Provjerite ima li zaglavljenog snijega ili leda u vijku i trupu i upotrijebite alat za čišćenje kako biste ih očistili po potrebi. Ponovno ugradite baterijske module i ponovno pokrenite otpuhivač snijega.

ZAŠTITA BATERIJE OD VISOKE TEMPERATURE

Ako temperatura baterije prelazi 70 °C tijekom rada, krug zaštite od temperature odmah će isključiti otpuhivač snijega kako bi zaštitio baterijske module od oštećenja pregrijavanjem. Indikator napajanja na otpuhivaču snijega bit će isključen, a LED indikator na baterijskom modulu treptat će narančasto ili svijetliti crveno. Više o LED indikatoru na baterijskom modulu potražite u odjeljku „**ZAŠTITA BATERIJE**“ korisničkog priručnika baterije.

Otpustite sigurnosnu sklopku i pričekajte da se pregrijani baterijski moduli ohlade i da svjetlo na LED indikatoru baterije postane zeleno, a zatim ponovno pokrenite otpuhivač snijega.

Da biste spriječili isključivanje zbog zaštite od visokih temperatura baterije, ne pokušavajte koristiti jednu bateriju za napajanje otpuhivača snijega kada dubina nakupljenog snijega prelazi 76 mm ili kada je snijeg vrlo mokar ili leden. Preporučujemo upotrebu dvije baterije koje rade

istovremeno. Ovo pomaže u postizanju najveće snage otpuhivača snijega.

Nakon aktivacije zaštite od visoke temperature usporite ritam i smanjite širinu zamaha za čišćenje snijega kako biste smanjili opterećenje baterije.

ODRŽAVANJE

⚠ UPOZORENJE: Prije izvođenja bilo kojeg zadatka održavanja na otpuhivaču snijega obavezno isključite uređaj i uklonite baterijske module.

OPĆE ODRŽAVANJE

Pri čišćenju plastičnih dijelova izbjegavajte koristiti otapala. Većina plastičnih materijala podložna je oštećenju od različitih vrsta komercijalnih otapala i mogu se oštetiti u slučaju njihove upotrebe. Za uklanjanje nečistoće, prašine, ulja, masti i sl. koristite čiste tpe.

PODMAZIVANJE STROJA

Svi ležajevi u ovom proizvodu podmazuju se dostatnom količinom maziva visoke kvalitete za koje osigurava predviđen vijek trajanja uređaja u normalnim radnim uvjetima. Stoga nije potrebno dodatno podmazivanje ležajeva.

ZAMJENA ŠIPKE STRUGAČA

Obavezni alati (nisu uključeni):

- Ključ otvorenog tipa od 8 mm
- T20 Torx odvijač

1. Šipka strugača nalazi se na donjem dijelu trupa otpuhivača snijega, ispod vijka (sl. F1).

F1-1	Šipka strugača
------	----------------

2. Okrenite otpuhivač snijega na bok (sl. F2).
3. Nosite rukavice. Uklonite 5 kompleta matica, opružnih podložaka i vijaka izvana i uklonite 2 Torx vijka iznutra. Odvojite istrošenu šipku strugača (sl. F2).

F2-1	Vanjska matica (x5)	F2-2	Torx vijak (x2)
------	---------------------	------	-----------------

4. Pričvrstite novu šipku strugača i umetnite 2 Torx vijka (sl. F3).

F3-1	Unutarnja rupa (x2)	F3-2	Šipka strugača (sjajna površina okrenuta prema unutra)
F3-3	Torx vijak (x2)		

5. Umetnite 5 vijaka i zategnite opružnim podloškama i maticama (sl. F4 i F5).

F5-1	Matica	F5-2	Opružna podloška
F5-3	Trup	F5-4	Šipka strugača
F5-5	Vijak		

ZAMJENA GUMENIH LOPATICA I GUMENIH VIJAKA

Zamjena gumenih lopatica: (Sl. G1)

G1-1	Gumene lopatice	G1-2	2 kompleta vijaka i matica na svakoj lopatici (ukupno 4 kompleta)
------	-----------------	------	---

Obavezni alati (nisu uključeni):

- Odvijač s ravnom glavom
 - Ključ otvorenog tipa od 10 mm
1. Nosite rukavice. Ručno okrenite čelični vijak u odgovarajući položaj za jednostavno rastavljanje gumene lopatice.
 2. Uklonite sve vijke i matice za pričvršćivanje kako biste izvadili gumene lopatice.
 3. Zamijenite ih novim gumenim lopaticama i čvrsto ih zategnite.

Za zamjenu gumenih vijaka (sl. G2)

G2-1	Gumeni vijak (x4)	G2-2	1 komplet vijka, podloške i matice na svakom vijku (ukupno 4 kompleta)
G2-3	2 kompleta vijaka i matica na svakom vijku (ukupno 8 kompleta)		

Obavezni alati:

- Ključ otvorenog tipa od 13 mm (nije uključen)
 - Imbus ključ od 5 mm (isporučen)
1. Nosite rukavice. Ručno okrenite čelični vijak u odgovarajući položaj za jednostavno rastavljanje gumenog vijka.
 2. Uklonite sve vijke i matice za pričvršćivanje kako biste izvadili gumene vijke.
 3. Zamijenite ih novim gumenim vijcima i čvrsto ih zategnite.

SKLADIŠTENJE OTPUHIVAČA SNIJEGA

- Uklonite baterijski modul(e) i pohranite ga/ih na sigurnom mjestu, izvan dohvata djece.

Prije skladištenja obrišite vlagu, prljavštinu ili ostatke iz i oko pretinca za baterije.

- Prebršite otpuhivač snijega čistom i suhom krpom.
- Provjerite jesu li sve matice, vijci, gumbi pritegnuti.
- Provjerite jesu li pokretni dijelovi oštećeni, slomljeni ili istrošeni. Izvršite popravke na oštećenim ili dijelovima koji nedostaju.
- Preklopite bočne vodilice u položaj za skladištenje.
- Pohranite otpuhivač snijega na čistom, suhim i zatvorenom mjestu izvan dohvata djece.
- Nemojte ga pohraniti blizu korozivnih materijala kao što su gnojiva ili kamena sol.

PREKLAPANJE BOČNIH VODILICA

1. Gurnite dršku za okretanje nastavka za izbacivanje naprijed do kraja tako da je nastavak za izbacivanje okrenut ulijevo, što će osigurati da prilikom preklapanja ne uzrokuje smetnje. Stisnite okidač na drški odbojnika nastavka za izbacivanje kako biste ga nagnuli skroz prema dolje (sl. H1).
2. Otvorite ručice za brzo oslobađanje s obje strane kako biste preklopili bočne vodilice u položaj za skladištenje (sl. H2).

PODIZANJE I NOŠENJE OTPUHIVAČA SNIJEGA

1. Uklonite baterijske module.
2. Preklopite bočne vodilice kako je opisano u prethodnom poglavlju.
3. Podignite i nosite uređaj hvatanjem ručice za podizanje jednom rukom i područja za podizanje, na vrhu usisa snijega (odmah ispod logotipa EGO), s drugom rukom (sl. I).

I-1	Područje za podizanje	I-2	Ručica za podizanje
-----	-----------------------	-----	---------------------

ZAŠTITA OKOLIŠA



OEEO (Otpadna električna i elektronička oprema) Električnu opremu, iskorištenu bateriju i punjač nemojte odlagati u otpad iz kućanstva! Ovaj proizvod odnesite u ovlaštenu centar za reciklažu i time omogućite odvojeno sakupljanje. Električne alate potrebno je vratiti u ekološki prihvatljiv pogon za reciklažu.

OTKLANJANJE SMETNJI

PROBLEM	UZROK	RJEŠENJE
Bočne vodilice ne ostaju na položaju.	<ul style="list-style-type: none"> ■ Gumbi za zaključavanje na bočnim vodilicama i/ili ručice za brzo oslobađanje nisu pričvršćeni. 	<ul style="list-style-type: none"> ■ Provjerite jesu li gumbi za zaključavanje na bočnim vodilicama potpuno zategnuti i jesu li ručice za brzo oslobađanje potpuno zatvorene.
Otpuhivač snijega se ne okreće.	<ul style="list-style-type: none"> ■ Baterije je slaba. ■ Vijak se zaleđio u snijegu ili ledu. ■ Baterijski modul je pregrijan. LED indikator na baterijskim modulima trepće narančasto ili svijetli crveno (pogledajte odjeljak „ZAŠTITA BATERIJE OD VISOKE TEMPERATURE“ u ovom priručniku). ■ Neispravni koraci za uključivanje otpuhivača snijega. ■ Neidentificirana greška 	<ul style="list-style-type: none"> ■ Napunite bateriju. ■ Prvo izvadite baterijske module, a zatim pomoću alata za čišćenje očistite snijeg ili led koji ometaju vijak. Vratite baterijske module i ponovno pokrenite otpuhivač snijega. ■ Izvadite pregrijane baterijske module iz otpuhivača snijega i pričekajte da se baterijski moduli ohlade na približno 67 °C. Ponovno ugradite baterijske module i ponovno pokrenite otpuhivač snijega. ■ (1) Pritisnite sigurnosni gumb dok indikator napajanja ne zatrepće zeleno. (2) S pritisnutim gumbom, povucite sigurnosnu sklopku gore prema glavnoj dršci. ■ Za popravak se obratite servisnom centru tvrtke EGO.
Motor je uključen, ali vijak se ne okreće.	<ul style="list-style-type: none"> ■ Pogonski remen je istrošen ili slomljen. 	<ul style="list-style-type: none"> ■ Za popravak se obratite servisnom centru tvrtke EGO.
Nakon prolaska, otpuhivač snijega ostavlja sloj snijega na tlu.	<ul style="list-style-type: none"> ■ Šipka strugača je istrošena. 	<ul style="list-style-type: none"> ■ Zamijenite strugač prema uputama iz odjeljka „ZAMJENA ŠIPKE STRUGAČA“ u ovom priručniku.
Otpuhivač snijega baca manje snijega.	<ul style="list-style-type: none"> ■ Gumene lopatice su istrošene. ■ Brzina vijka možda je preniska. 	<ul style="list-style-type: none"> ■ Zamijenite gumene lopatice prema uputama iz odjeljka „ZAMJENA GUMENIH LOPATICA“ u ovom priručniku. ■ Povećajte brzinu vijka.
Vijak ne postiže vuču i zahtijeva dodatni napor za guranje otpuhivača snijega prema naprijed.	<ul style="list-style-type: none"> ■ Gumeni vijci su istrošeni. 	<ul style="list-style-type: none"> ■ Zamijenite gumene vijke prema uputama iz odjeljka „ZAMJENA GUMENIH VIJAKA“ u ovom priručniku.

HR

JAMSTVO

PRAVILA U VEZI JAMSTVA PROIZVOĐAČA EGO

Cjelokupne uvjete i odredbe jamstvene politike proizvođača EGO potražite na internetskoj stranici egopowerplus.com.

წაიკითხეთ მთლიანი ინსტრუქცია!



უსაფრთხოების სიმბოლოები

ელექტრო ხელსაწყოთა გამოყენებისას შესაძლოა უცხო სხეულის თვალის მიდამოში მოხვედრა, რამაც შესაძლოა გამოიწვიოს თვალის მნიშვნელოვანი დაზიანება. ელექტრო ხელსაწყოთა გამოყენებამდე აუცილებლად მოირგეთ უსაფრთხოების თვალსაფარი ან სათვალე სახის გვერდითა ნაწილების და მთლიანი სახის დამცავი ეკრანით, საჭიროების შემთხვევაში. ჩვენ რეკომენდაციას ვუწვევთ ფართო ხედვის უსაფრთხოების ნიღაბს სათვალეებთან ერთად ან სტანდარტულ გვერდითა დაცვის მქონე უსაფრთხოების სათვალეებთან ერთად გამოსაყენებლად.



სიგნალი საფრთხის შესახებ



დაზიანების რისკის შესამცირებლად, მომხმარებელმა უნდა წაიკითხოს და გაიგოს მოწყობილობის მუშაობის ინსტრუქცია, მის გამოყენებამდე.



ყოველთვის მოირგეთ უსაფრთხოების თვალსაფარი ან გვერდითა დამცავი ეკრანების მქონე უსაფრთხოების სათვალე და მთლიანი სახის დამცავი ამ ხელსაწყოთი სარგებლობისას.



არ გამოიყენოთ ხელები დარის გასახსნელად.



ყურადღება: არ უყუროთ ლამფას, როცა მუშაობს.



მოარიდეთ ფეხები და ხელები



ფეხები მოარიდეთ მბრუნავ ბორბალს.



გარანტირებული ხმის სიმძლავრის დონე. გარემოში ხმაურის გავრცელების დონე ევროკავშირის რეგულაციების შესატყვისია.



ელექტრო პროდუქტის ნარჩენები არ გადაყაროთ საყოფაცხოვრებო ნარჩენებთან ერთად. წაიღეთ შესაბამის გადამამუშავებელ საწარმოში.



მოწყობილობა შეესაბამება EC-ის მოქმედ რეგულაციებს.



მუდმივი დენი



აღნიშნული პროდუქტი აკმაყოფილებს გაერთიანებული სამეფოს კანონმდებლობით დადგენილ მოთხოვნებს.

IPX4

წყლის შეღწევისგან დაცვის ხარისხი.

V

ვოლტი

სმ

სანტიმეტრი

მ


მრიცხველი

კპ

კილოგრამი

KA

სპეციფიკაციები

მაზვა	56 ვოლტი 	
გასუფთავების სიგანე	520 მმ.	
შედენადობის სიმაღლე	330 მმ.	
გამოსროლის მანძილი	14 მ-მდე	
ბორბლის ზომა	178 მმ.	
რეკომენდებული საექსპლუატაციო ტემპერატურა	-20°C–10°C	
შენახვის ტემპერატურა	-20°C–70°C	
წონა (აკუმულატორის ბლოკის გარეშე)	27 კგ	
გაზომილი ხმის სიმძლავრის დონე L_{WA}	96 dB(A) K=1.8 დბ(A)	
ბგერის წნევის დონე მომხმარებლის ყურზე L_{pA}	80 დბ(A) K=4 დბ(A)	
გარანტირებული ხმის სიმძლავრის დონე L_{WA} (გაზომილი 2000/14/EC რეგულაციის მიხედვით)	98 dB(A)	
ვიბრაციის შეფასება a_h :	მარცხენა სახელური	1,3 მ/წმ ² K=1.5 მ/წმ ²
	მარჯვენა სახელური	1,3 მ/წმ ² K=1.5 მ/წმ ²

- მითითებული ვიბრაციის სრული სიდიდე გაზომილია სტანდარტული ტესტირების მეთოდის გამოყენებით და შესაძლოა გამოყენებულ იქნას ერთი მოწყობილობის მეორესთან შედარებისას;
- მითითებული ვიბრაციის სრული სიდიდე ასევე შესაძლოა გამოყენებულ იქნას ზემოქმედების პირველადი შეფასებისას.

KA

გაფრთხილება: ელექტრო ხელსაწყოს ფაქტობრივი გამოყენებისას ვიბრაციის ემისია შესაძლოა განსხვავდებოდეს მითითებული სიდიდისგან; მომხმარებელმა მოწყობილობით სარგებლობისას საჭიროა გამოიყენოს ხელთათმანები და სმენის დამცავი

საშუალებები.

რეკომენდირებული აქსესუარები

▲ გაფრთხილება: შემდეგი ნაწილები ექვემდებარება ცვეთას ჩვეულებრივი გამოყენების პირობებში. გამოიყენეთ მხოლოდ ქვემოთ მითითებული იდენტური სათადარიგო ნაწილები. ისეთი ნაწილების გამოყენებამ, რომლებიც არ აკმაყოფილებს ორიგინალური ნაწილების სპეციფიკაციებს, შესაძლოა გამოიწვიოს მოწყობილობის არასათანადო მუშაობა და უსაფრთხოების ნორმების დარღვევა.

ნაწილის დასახელება	მოდელის ნომერი
რეზინის პადლისა და ბურღების ნაკრები	ARP2120
საფხეკი	ASS2120

აღწერა

შეისწავლეთ თქვენი თოვლის საბერველა (ნახ. A1 და A3)

1. მთავარი სახელური
2. ამომრთველი ბერკეტი (ამომრთველი ბერკეტი)
3. დამუხტვის ინდიკატორი
4. ასაწევი სახელური
5. სწრაფი გამოთავისუფლების ბერკეტი
6. აკუმულატორის ნაკვეთურის საფარი
7. ბორბალი (x2)
8. ამძრავის-ქამრის საფარი
9. ბურღის ნაკრები
10. LED წინა ფარები
11. კამერის დეფლექტორი
12. კამერის დეფლექტორის სახელური
13. კამერის სატრიალებელი სახელური
14. ექსპლანაჟი ქანჩის გასაღები
15. ბურღის სიჩქარის ციფერბლატი
16. LED ფარებზე გადამრთველი
17. უსაფრთხოების ღილაკი
18. აკუმულატორის გამშვები ღილაკი

19. ჩამკეტი ღილაკი
20. ჩამკეტი
21. ამოგდების მექანიზმი
22. ელექტრო კონტაქტი

შეფუთვის ფურცელი (სურ. A1)

ნაკრები

გვერდითი ტარის გაშლა

1. თქვენი თოვლის საბერველა იგზავნება გვერდითი ტარით დაკეცილ, ჩაკეტილ მდგომარეობაში (ნახ. B1).
2. გახსენით სწრაფი გამშვები ბერკეტები ორივე მხრიდან და მსუბუქად წამოწიეთ გვერდითი ტარები წინ, სანამ არ გაჩერდებიან (ნახ. B2 & B3).
3. დახურეთ სწრაფი გამშვების ბერკეტები და შემდეგ მაგრად მოუჭირეთ საკეტის სახელურებს (ნახ. B4).

ღარის დამონტაჟება

1. გამოიყენეთ მოწოდებული ექსკვთხედი ქანჩი, რათა მოუშვათ და მოხსნათ ჭანჭიკებისა და საყელურების ორი ნაკრები ღარის ძირში (ნახ. C1).

C1-1	ღარის ძირი
------	------------

2. გაასწორეთ ღრმულეები ღარის ძირში არსებულ ჭრილთან და შემდეგ დააწეეთ ღარს ადგილზე ჩასამელად (ნახ. C2).

C2-1	ღარის დასაცელადა:	C2-2	სლოტი ღარის ბაზაზე
------	-------------------	------	--------------------

3. გამოიყენეთ მოწოდებული ექსკვთხედი ქანჩი, რათა ადგილზე ჩაკეტოთ ღარი ჭანჭიკებისა და საყელურების ორი ნაკრებით (ნახ. C3).

ექსპლუატაცია

აკუმულატორის ჩამაგრება/მოხსნა

გამოიყენეთ მხოლოდ ნახ. A4-ში ჩამოთვლილი EGO-ს აკუმულატორის ბლოკები და დამტენები.

დეტალური მითითებებისთვის იხილეთ აკუმულატორისა და დამტენის სახელმძღვანელოები.

სრულად დატენი თ პირველად გამოყენებამდე.

1. აწიეთ აკუმულატორის ბუდის საფარი საფარის წინა ნაწილის მაღლა აწევით (ნახ. D1).
2. **დამაგრების მიზნით**, გაუსწორეთ აკუმულატორის სამაგრები ბუდის ნასვრეტებს და დააწეეთ აკუმულატორს, სანამ არ გაიგებთ „წკაპუნის“ ხმას. ჩასვით სხვა აკუმულატორი. (სურ. D2).
3. **მოსახსმელად**, დააჭირეთ აკუმულატორის მოხსნის ღილაკს და გამოქაჩეთ აკუმულატორი გარეთ (სურ. D3).

სრულად დატენი თ პირველად გამოყენებამდე.

1. აწიეთ აკუმულატორის ბუდის საფარი საფარის წინა ნაწილის მაღლა აწევით (ნახ. D1).
2. **დამაგრების მიზნით**, გაუსწორეთ აკუმულატორის სამაგრები ბუდის ნასვრეტებს და დააწეეთ აკუმულატორს, სანამ არ გაიგებთ „წკაპუნის“ ხმას. ჩასვით სხვა აკუმულატორი. (სურ. D2).
3. **მოსახსმელად**, დააჭირეთ აკუმულატორის მოხსნის ღილაკს და გამოქაჩეთ აკუმულატორი გარეთ (სურ. D3).

D3-1	აკუმულატორის მოხსნის ღილაკი
------	-----------------------------

4. დახურეთ აკუმულატორის ნაკვეთურის საფარი.

თოვლის საბერველას ჩართვა/გამორთვა

შენიშვნა: სწრაფად არ ჩართოთ და გამორთოთ თოვლის საბერველა.

თოვლის საბერველის ასამუშავებლად

1. ჩასვით აკუმულატორის ბლოკ(ებ) ი თოვლის საბერველაში და დახურეთ აკუმულატორის საფარი.
2. ჩართეთ თოვლის საბერველა უსაფრთხოების ღილაკზე დაჭერით.
3. უსაფრთხოების ღილაკიდან ხელის აუღებლად, მოქაჩეთ ჩამრთველი მაღლა თავარ სახელურთან შეხვედრამდე (ნახ. E1).

E1-1	უსაფრთხოების ღილაკი	E1-2	სიმძლავრის გადამრთველი
------	---------------------	------	------------------------

KA

4. მას შემდეგ, რაც ბურღი ჩაირთვება, აუშვით უსაფრთხოების ღილაკს და დაიწყეთ მუშაობა (ნახ. E2).

5. წინ წასვლელად, ასწიეთ მთავარი სახელური, რათა ბურღის კომპლექტი შეეხოს მიწას (ნახ. E3). ბურღის ტრაქცია ხელს შეუწყობს თოვლის საბერველას წინ წასვლას.

E3-1	ნორმალური სამუშაო პოზიცია	E3-2	ბურღის მოძრავი პოზიცია
E3-3	ბურღის კომპლექტის კონტაქტური ადგილი		

შენიშვნა: თოვლის საბერველა შესაძლოა სათანადოდ არ ჩაირთოს, თუ მისი აკუმულატორის ტემპერატურა -20°C ან ნაკლებია. თუ თოვლის საბერველა არ ჩაირთვება, მოხსენით აკუმულატორი და გაათბეთ შენობაში, 10 წუთის ან მეტის ხნის განმავლობაში. ხელახლა დააყენეთ აკუმულატორი და კიდევ სვადეთ.

თოვლის საბერველის გამოსართავად

1. სრულიად გაუშვით ხელი ჩამრთველს (სურ. E4)

E4-1	უსაფრთხოების დილაკი (სრულად აშვებული)	E4-2	სრულიად გაუშვით ხელი ჩამრთველს.
------	---------------------------------------	------	---------------------------------

2. ელექტრო მუხრუჭი ავტომატურ მექანიზმში გააჩერებს ბურღის ბრუნვას ჩამრთველზე ხელის აშვების შემდეგ.

ბურღის სიჩქარის ცვალებადობის სისტემა (სურ. E5)

1. ბურღის სიჩქარის გასაზრდელად, გადაწიეთ ბურღის სიჩქარის ციფერბლატი ოპერატორიდან მოშორებით.
 2. სიჩქარის შესამცირებლად, გადაიტანეთ სიჩქარის ციფერბლატი ოპერატორისკენ.

LED წინა ფარები (ნახ. E6)

1. წინა ფარების გამოსართველად მესამედ დააჭირეთ LED დილაკს. პროექტორები ანათებენ კაშკაშა სინათლით თოვლი საბერველას წინ.

2. პროექტორების გამოსართველად მესამედ დააჭირეთ LED დილაკს.

შენიშვნა: LED ფარები ავტომატურად გამოირთვება, როდესაც თოვლის საბერველა

უმოქმედოა 5 წუთის განმავლობაში, აკუმულატორის დატენვის შესაწარმუნებლად.

ღარის რეგულირება

თოვლის გამწმენდის მიმართულების რეგულირება შესაძლებელია 180° -ით (სურ. E7).

E7-1	ღარის მოსატრიალებელი სახელური	E7-2	ღარი
------	-------------------------------	------	------

1. მიაწიეთ ღარის დატრიალების სახელურს წინ ღარის მარცხნივ მოსაბრუნებლად.

2. მოქაჩეთ ღარის დატრიალების სახელური უკან, ღარის მარჯვნივ მოსაბრუნებლად.

თოვლის საბერველის გამოსროლის მანძილის რეგულირება ხდება ნაწილობრივ ღარის დეფლექტორის დახრილობის კუთხით (სურ. E8)

E8-1	ტრიგერი	E8-2	ღარის დეფლექტორი
------	---------	------	------------------

1. თოვლის გამოსროლის მანძილის გასაზრდელად დააწიეთ ჩამრთველს დეფლექტორის სახელურზე და შემდეგ ასწიეთ არხის დეფლექტორი. აუშვით ჩამრთველი არხის დეფლექტორის სახელურზე, რათა დაბლოკოს არხის დეფლექტორი ადგილზე.

2. თოვლის გამოსროლის მანძილის შესამცირებლად, გადაწიეთ ღარის დეფლექტორის სახელური დაბლა.

გაჭედოვილი კამერის გასუფთავება

1. გამორთეთ ძრავი და ბურღი!
2. მოხსენით აკუმულატორი თოვლის საბერველას.
3. დაელოდეთ მანამ, სანამ ბურღი არ შეწყვეტს ბრუნვას.
4. ყოველთვის გამოიყენეთ გამწმენდი ხელსაწყო, როგორცაა ხის ჯოხი ან სხვა გამწმენდი ხელსაწყოები, რომლებიც ხელმისაწვდომია კომერციულად; არ გამოიყენოთ ხელი.

კვების მაჩვენებელი თოვლის საბერველაზე

კვების ინდიკატორი აინთება მხოლოდ მაშინ, როცა თოვლის საბერველა ჩართვება.

კვების ინდიკატორი	მნიშვნელობა	ქმედება
მოციმციმე მწვანე შუქი	უსაფრთხოების დილაკი დაჭერილია და თოვლის საბერველა ჩართულია და მზად არის სამუშაოდ. აკუმულატორის მუხტის ტევადობის მინიმუმ 15% აქვს დარჩენილი	არ მიესადაგება
მუდმივი მწვანე შუქი	თოვლის საბერველა გამართულად მუშაობს; თითოეული აკუმულატორი დატენილია მინიმუმ 15%-ით.	არ მიესადაგება
მოციმციმე წითელი შუქი	აკუმულატორის პაკეტ(ებ)ის დამუხტვის დონე დაბალია. ბურღი არ ირთვება, მაგრამ LED ფარები შეიძლება ცოტა ხნით იყოს ჩართული.	გააჩერეთ თოვლის საბერველა და დატენეთ აკუმულატორის ბლოკ(ებ)ი.
განათება ნარინჯისფერი ფერით	თოვლის საბერველა გადახურებულია.	გააჩერეთ თოვლის საბერველა და დაელოდეთ ცოტა ხანს მანქანის გაგრილებას.

მოციმციმე ნარინჯისფერი შუქი	თოვლის საბერველა გადატვირთულია.	მოსხენით აკუმულატორის ბლოკი. შეამოწმეთ და გაასუფთავეთ თოვლი, რომელიც დაგროვდა ბურღის ქვეშ. მუშაობისას შეაწვლეთ ტემპი ან შეამცირეთ თოვლის გამწმენდი საფარის სიგანე.
მონაცვლეობით მოციმციმე წითელი/მწვანე შუქი	კავშირის შეფერხება	მიმართეთ EGO-ს მომსახურების ცენტრს შეკეთებისთვის.
შუქდიოდური ინდიკაცია	თუ აკუმულატორის ერთ ან ორივე ბლოკზე LED ინდიკატორი ანათებს ნარინჯი-სფრად ან ანათებს წითლად, აკუმულატორის ბლოკი გადახურდება.	გააჩერეთ თოვლის საბერველა და აცადეთ აკუმულატორის ბლოკ(ებ)ს გაგრილება.
	სხვა ხარვეზები: ჩამრთველი, შუქი და ა.შ.	დაუკავშირდით EGO სერვის ცენტრს სარე-მონტორებისთვის.

KA

თოვლის საბერველის დაცვა ზედმეტი დატვირთვისგან

ზედმეტად დატვირთვის თავიდან ასაცილებლად, არ მოაგროვოთ ერთბაშად დიდი რაოდენობის თოვლი. შეანელოთ ტემპი ან შეამცირეთ თოვლის გამწმენდი ზოლის სიგანე.

თქვენს თოვლის საბერველას აქვს ჩამენებული ზედმეტი დატვირთვის მგრძობელობის ელემენტები. როცა თოვლის საბერველა ზედმეტად გადაიტვირთება, ძრავი ავტომატურად შეანელებს სიჩქარეს და თქვენ გაიგონებთ ძრავის შენელების სიგანას. შეანელოთ ტემპი ან დაავიწროვეთ წმენდის სიგანე, შედეგ ძრავის სიჩქარე ავტომატურად განაგრძობს ჩვეულებრივ მუშაობას. თუ ეს საშუალება ზედმეტი დატვირთვის პრობლემას არ გადაწყვეტს, სენსორი ავტომატურად გათიშავს ძრავს და შუქდიოდური ინდიკატორი თოვლის საბერველაზე ნარინჯისფრად აინთება. მოხსნით აკუმულატორის ბლოკ(ებ)ი თოვლის საბერველს. შეამოწმეთ, არის თუ არა თოვლი ან ყინული ჩარჩენილი საყრდენსა და გემბანში და გამოიყენეთ გამწმენდი ხელსაწყო მათი გასასუფთავებლად საჭიროების შემთხვევაში. ხელახლა ჩასვით ბატარეები და თავიდან ჩართეთ თოვლის საბერველა.

აკუმულატორის დაცვა მაღალი ტემპერატურისგან

თუ აკუმულატორის ტემპერატურა 70°C-ს გადააჭარბებს მუშაობის პროცესში, ტემპერატურის დამცავი სისტემა მაშინვე გამორთავს მოწყობილობას აკუმულატორის ბლოკის გადახურების თავიდან აცილების მიზნით. სიმძლავრის მაჩვენებელი სათიბ მანქანაზე გაანათებს ნარინჯისფრად ხოლო შუქდიოდი აკუმულატორზე აინთება ნარინჯისფრად. აკუმულატორზე შუქდიოდების შესახებ დეტალური ინფორმაციისთვის იხილეთ "აკუმულატორის დაცვის" ნაწილი, აკუმულატორის ოპერატორის სახელმძღვანელოში.

გამორთეთ ტრიგერი და დაელოდეთ სანამ გადახურებული აკუმულატორი გაცივდება და ინდიკატორი გამწვანდება, შემდეგ გადატვირთეთ მანქანა.

აკუმულატორის გათიშვის თავიდან ასაცილებლად მაღალი ტემპერატურის

გამო, ნუ ეცდებით ერთი აკუმულატორის გამოყენებით თოვლის საბერველას ჩართვას, როცა დაგროვილი თოვლის სიღრმე აღემატება 76 მმ-ს ან როცა თოვლი ძალიან სველი ან ყინულიანია. ჩვენ გირჩევთ გამოიყენოთ ორი აკუმულატორი, რომელიც ერთდროულად იმუშავებს. ეს ხელს უწყობს თოვლის საბერველაზე მაქსიმალური სიმძლავრის მიღწევას.

მას შემდეგ, რაც მოხდება მაღალი ტემპერატურისგან დაცვა, შეანელოთ ტემპი და შეამცირეთ თოვლის გამწმენდი ზოლის სიგანე, რათა შეამციროთ დატვირთვა აკუმულატორზე.

ტექნომისახურება

▲ გაფრთხილება: დარწმუნდით, რომ მოწყობილობა გამორთულია და აკუმულატორის ბლოკები კი ამოღებული, სანამ შეასრულებთ რაიმე ტექნიკურ სამუშაოს თოვლის საბერველაზე.

ზოგადი სახის ტექნიკური მომსახურება

მოერიდეთ გამხსნელების გამოყენებას ხელსაწყო პლასტმასის ნაწილების გაწმენდისას. პლასტმასების უმეტესობა ადვილად ზიანდება მათზე სხვადასხვა სახის კომერციული გამხსნელების გამოყენების შედეგად. გამოიყენეთ სუფთა ტილო ტალახის, მტვრის, ზეთის, ცხიმის და სხვ. მოსაცილებლად.

მონყობილობის შეგნოვა

ამ პროდუქტში ყველა ნაწილი გაპოხილია სათანადო ოდენობით მაღალი ხარისხის საპოხი მასალისთ, მოწყობილობის ვარჯისიანობის განმავლობაში და ნორმალური მუშაობის პირობებში. ამრიგად, დამატებითი გაპოხვა საჭირო არ არის.

შეცვალეთ საფხევი.

საჭირო ინსტრუმენტები (არ შედის შეფუთვაში):

- 8 მმ ღიახახიანი ქანჩის გასადები
- T20 Torx სახრანხისი

1. საფხევი ზოლი მოთავსებულია თოვლის საბერველას ძირში, საბურღის ქვეშ (ნახ. F1).

F1-1	საფხევი
------	---------

KA

- გვერდულად გადააბრუნეთ თოვლის საბერველა (ნახ. F2).
- ჩაიცვით ხელთათმანები. მოხსენით 5 კომპლექტი ვინტი, ზამბარის საყელურები და ჭანჭიკები გარედან და 2 Torx ხრახნი მოხსენით შიგნიდან. მოხსენით გაცვეთილი საფხევი ზოლი (ნახ. F2).

F2-1	გარე ქანჩი (x5)	F2-2	Torx-ის ხრახნი (x2)
------	-----------------	------	---------------------

- მიამაგრეთ ახალი საფხევი ზოლი და გაუკეთეთ 2 Torx-ის ხრახნი (ნახ. F3).

F3-1	შიდა ხვერელი (x2)	F3-2	საფხევი ზოლი (მზინავი ზედამირი შიგნიდან)
F3-3	Torx-ის ხრახნი (x2)		

- ჩასვით 5 ჭანჭიკი და დაამაგრეთ ზამბარიანი საყელურით და ქანჩებით (ნახ. F4 & F5).

F5-1	ქანჩი	F5-2	ზამბარიანი საყელური
F5-3	ქვედა ნაწილი	F5-4	საფხევი ზოლი
F5-5	ჭანჭიკი		

რეზინის ბალიშების და ბურღის გამოცვლა

რეზინის ბალიშების შესაცვლელად: (ნახ. G1)

G1-1	რეზინის საფენი	G1-2	2 კომპლექტი ჭანჭიკები და ქანჩი თითოეულ საფენზე (სულ 4 კომპლექტი)
------	----------------	------	--

საჭირო ინსტრუმენტები (არ მოყვება შეფუთვას)

- ბრტყელთავიანი სახრახნისი
 - 10 მმ ღიანხიანი ქანჩის გასაღები
- გაიკეთეთ ხელთათმანები ხელით გადაატრიალეთ ფოლადის ბურღი შესაბამის პოზიციასზე რეზინის ბალიშის ადვილად დასაშლელად.
 - მოხსენებით ყველა დამჭერი ჭანჭიკი და ქანჩი, რომ რეზინის ბალიშები ამოღება შეძლოთ.

- შეცვალეთ ისინი ახალი რეზინის ბალიშებით და უსაფრთხოდ მიამაგრეთ

რეზინის ბურღის გამოცვლა (ნახ. G2)

G2-1	რეზინის ბურღი (x4)	G2-2	1 კომპლექტი ჭანჭიკი, საყელური და ქანჩი თითოეულ საბურღზე (სულ 4 კომპლექტი)
G2-3	2 კომპლექტი ჭანჭიკები და ქანცი თითოეულ საბურღზე (სულ 8 კომპლექტი)		

საჭირო ინსტრუმენტები:

- 13 მმ ღიანხიანი ქანჩის გასაღები (არ შედის შეფუთვაში)
 - 5 მმ ექვსკუთხა გასაღები (მოყვება)
- გაიკეთეთ ხელთათმანები ხელით მოატრიალეთ ფოლადის საბურღი შესაბამის პოზიციასზე, რეზინის საბურღის ადვილად დასაშლელად.
 - ამოიღეთ ყველა დამჭერი ჭანჭიკი და თხილი, რომ ამოიღოთ რეზინის ღეროები.
 - შეცვალეთ ისინი ახალი რეზინის ბურღებით და საიმედოდ დაამაგრეთ.

თოვლის საბრველის შენახვის წესი

- მოხსენით აკუმულატორის ბლოკები (გ) ი და შეინახეთ უსაფრთხოდ ადგილას, ბაჟებისთვის მიუწვდომლად.

შენახვის წინ, აკუმულატორის არე განმინდეთ ნებისმიერი ტენის, ჭუჭყის ან ნარჩენებისგან.

- გაწმინდეთ თოვლის საბრველა სუფთა, მშრალი ქსოვილით.
- შეამოწმეთ, რომ მჭიდროს იყოს ყველა ბურთულა, ჭანჭიკი, ღილაკი, ხრახნი და ა.შ.
- შეამოწმეთ, რომ მოძრავი ნაწილები არ იყოს დაზიანებული, გატეხილი და გაცვეთილი. შეაკეთეთ ყველა დაზიანებული ან დაკლებული ნაწილი.
- გადაკვეთ გვერდითი ძელები შენახვის პოზიციით.
- თოვლის საბრველა შეინახეთ სუფთა, მშრალ, დახურულ, ბაჟებისთვის მიუწვდომელ ადგილზე.
- არ შეინახოთ კოროზიულ მასალასთან ახლოს, როგორცაა სასუქი ან ქვამარილი.

გვერდითი ძელაკების დაკეცვა

1. მიიტანეთ არხის მოსაზრუნებელი სახელური ბოლომდე წინ, ისე, რომ არხი მარცხნივ იყურებოდეს, რაც უზრუნველყოფს, რომ არ არ მოხდეს დაკეცვის დროს ხელის შეშლა. დააწექით ჩახმახს არხის დეფლექტორის სახელურზე, რომ ბოლომდე დახრილი იყოს (ნახ. H1).
2. გახსენით ორივე მხრიდან სწრაფი გაშვების ბურკეტები გვერდითი ძელაკების შესანახ პოზიციაზე დასაკეცად (ნახ. H2).

თოვლის საბრველის აწევის და ტარების წესი

1. მოხსენით აკუმულატორის ბლოკი.
2. გადაკეცეთ გვერდითი ძელაკები, როგორც ეს აღწერილია წინა თავში.
3. აწიეთ სახელურიდან და გადაიტანეთ მოწყობილობა ერთი ხელით და თოვლის მიმღები (EGO ლოგოს მარჯვნივ), მეორე ხელით (ნახ. I).

I-1	აწევის ზონა	I-2	ასაწევი სახელური
-----	-------------	-----	------------------

გარემოს ცავა



WEEE (ელექტრული მოწყობილობების ნარჩენების მართვა). არ მოათავსოთ ელექტრული მოწყობილობა, დამტენი და აკუმულატორი საყოფაცხოვრებო ნარჩენებში! მიუტანეთ ისინი ავტორიზირებულ ნარჩენების გადამამუშავებელს და მოახდინეთ ასეთი ნარჩენის განცალკევებულად შეგროვება. ელექტრო ხელსაწყოები უნდა ჩაბარდეს ნარჩენების გადამამუშავებელ ობიექტს.

დეფექტების აღმოჩენა და გამოსწორება

პრობლემა	მიზეზი	პრობლემის გადაჭრის გზა
გვერდითი ძელაკები არ რჩება პოზიციაზე.	<ul style="list-style-type: none"> გვერდითა ძელაკების საკეტის სახელურები და/ან სწრაფი გაშვების ბერკეტები არ არის დამაგრებული. 	<ul style="list-style-type: none"> დარწმუნდით, რომ გვერდითა ძელაკებზე საკეტის სახელურები მყარად არის დაჭიმული და სწრაფი გაშვების ბერკეტები სრულად მოკეცილია.
თოვლის საბერველა არ ირთვება.	<ul style="list-style-type: none"> აკუმულატორის მუხტი დამჯდარია. ბურღი გაყინულია თოვლის ან ყინვისგან. აკუმულატორი გადახურდა. LED ინდიკატორი აკუმულატორზე ციმციმებს ნარინჯისფრად ან ანათებს წითლად (ამ სახელმძღვანელოში იხილეთ სექცია „მაღალი ტემპერატურისგან აკუმულატორის დაცვა“). არასწორად შესრულებული ქმედებები გავლენას ახდენს თოვლის საბერველაზე. ამოუცნობი ხარვეზი 	<ul style="list-style-type: none"> დატენეთ აკუმულატორი. პირველ რიგში მოხსენით აკუმულატორის ბლოკ(ებ)ი, გამოიყენეთ გამწმენდი ხელსაწყო, რომელიც მოწყობილობას მოყვება, თოვლის ან ყინულისგან გასაწმენდად, რომელიც ბურღის მუშაობას ხელს უშლის. ხელახლა ჩასვით აკუმულატორები და თავიდან ჩართეთ თოვლის საბერველა. ამოიღეთ გადახურებული აკუმულატორი თოვლის საბერველადან და დაელოდეთ, სანამ აკუმულატორის ბლოკი გაცივდება დაახლოებით 67°C-მდე. ხელახლა ჩასვით აკუმულატორის ბლოკები და გადატვირთეთ თოვლის საბერველა. (1) დააჭირეთ უსაფრთხოების ღილაკს, სანამ დენის ინდიკატორი მწვანედ არ აციმციმდება. (2) დაჭირეთ ღილაკთან ერთად მოქაჩეთ ჩამრთველი მაღლა სახელურამდე და აუშვით ხელი უსაფრთხოების ღილაკს. დაუკავშირდით EGO სერვის ცენტრს სარემონტო მომსახურებისთვის.
ძრავი ჩართულია, მაგრამ ბურღი არ ირთვება.	<ul style="list-style-type: none"> წამყვანი ღვედი გაცვეთილი ან განწყვეტილია. 	<ul style="list-style-type: none"> დაუკავშირდით EGO სერვის ცენტრს სარემონტო მომსახურებისთვის.
გავლის შემდეგ, თოვლის საბერველა მიწაზე თოვლის ფენას ტოვებს.	<ul style="list-style-type: none"> საფხეკი გაცვეთილია. 	<ul style="list-style-type: none"> შეცვალეთ საჭრელი წვირი, როგორც ეს აღწერილია ამ სახელმძღვანელოში „საჭრელი წვირის გამოცვლის წესი“.

KA

პრობლემა	მიზეზი	პრობლემის გადაჭრის გზა
თოვლის საბერველა ნაკლებად ისვრის თოვლს.	<ul style="list-style-type: none"> რეზინის ბალიშები გაცვეთილია. ბურღის სიჩქარე შეიძლება იყოს ძალიან დაბალი. 	<ul style="list-style-type: none"> შეცვალეთ რეზინის ბალიშები ამ სახელმძღვანელოში მოცემული სექციის „რეზინის ბალიშების შესაცვლელად“ შესაბამისად. გაზარდეთ ბურღის სიჩქარე
ბურღი ვერ ახერხებს წევას და საჭიროებს დამატებით ძალისხმევას თოვლის საბერველის წინ წასასვლელად.	<ul style="list-style-type: none"> რეზინის ბურღი გაცვეთილია. 	<ul style="list-style-type: none"> შეცვალეთ რეზინის ბურღი ამ სახელმძღვანელოში მოცემული განყოფილების „რეზინის ბურღის გამოცვლა“ შესაბამისად.

გარანტია

EGO-ს საგარანტიო პოლიტიკა

გთხოვთ, ეწვიოთ ვებგვერდს egopowerplus.com, რათა იხილოთ EGO-ს საგარანტიო მომსახურების სრული პირობები.

PROČITAJTE SVA UPUTSTVA!



PROČITAJTE PRIRUČNIK ZA RUKOVAOCA

SIGURNOSNI SIMBOL

Rukovanje svakim električnim alatom može da dovede do izbacivanja stranih predmeta ka očima, što može da dovede do ozbiljnog oštećenja očiju. Pre započinjanja rada sa električnim alatom, uvek stavite sigurnosne naočare sa bočnim štitnicima ili po potrebi masku za celo lice. Preporučujemo sigurnosnu masku Wide Vision za upotrebu preko naočara ili standardnih sigurnosnih naočara sa bočnim štitnicima.



Sigurnosno upozorenje



Da bi smanjio rizik od povreda, korisnik pre korišćenja ovog proizvoda mora pročitati i shvatiti priručnik za rukovaoca.



Uvek nosite sigurnosne naočare ili sigurnosne naočare sa bočnim štitnicima i po potrebi masku za celo lice kad rukujete ovim proizvodom.



Nemojte koristiti šake da otpušite žleb.



OPREZ: Nemojte gledati u uključenu lampu.



Držite stopala i šake podalje



Držite stopala dalje od impelera koji se okreće



Garantovani nivo zvučne snage. Emisija buke u okruženju u skladu je sa Direktivom Evropske unije.



Otpadni električni proizvodi ne smeju da se odlažu sa otpadom iz domaćinstva. Odnosite ih u ovlašćeni centar za reciklažu.



Ovaj proizvod je u skladu sa primenljivim Direktivama EU.



Jednosmerne struje



Ovaj proizvod je u skladu sa primenljivim zakonima UK.

IPX4 Stepen zaštite od ulaska vode

V Volt


cm Centimetri

m Metar

kg Kilogram

SR

SPECIFIKACIJE

Voltaža	56 V 	
Širina čišćenja	520 mm	
Visina usisavanja	330 mm	
Daljina bacanja	Do 14 m	
Veličina točkova	178 mm	
Preporučena radna temperatura	Od -20 do +10 °C	
Temperatura skladištenja	Od -20 do +70 °C	
Težina (bez baterije)	27 kg	
Izmereni nivo zvučne snage L_{WA}	96 dB(A) K=1,8 dB(A)	
Nivo zvučnog pritiska na uhu rukovaoca L_{PA}	80 dB(A) K=4 dB(A)	
Garantovan nivo jačine zvuka L_{WA} (izmereno prema 2000/14/EC)	98 dB(A)	
Procena vibracije a_{h_v} :	Leva drška	1,3 m/s ² K=1,5 m/s ²
	Desna drška	1,3 m/s ² K=1,5 m/s ²

- Deklarisana ukupna vrednost vibracije je izmerena u skladu sa standardnim metodom testiranja i može se koristiti za upoređivanje jednog alata sa drugim;
- Deklarisana ukupna vrednost vibracije može se koristiti i u preliminarnoj proceni izlaganja.

NAPOMENA: Emisija vibracija tokom stvarne upotrebe električnog alata može da se razlikuje od deklarisanе vrednosti u kojoj se alat koristi. Da bi se rukovalac zaštitio, korisnik bi trebalo da nosi rukavice i štitnike za uši u stvarnim uslovima korišćenja.

PREPORUČENI DODACI

⚠ UPOZORENJE: Sledeći delovi su podložni habanju tokom normalne upotrebe. Upotrebljavajte samo identične rezervne delove navedene ispod. Upotreba delova koji ne ispunjavaju specifikacije originalne opreme može dovesti do nepravilnog rada i kompromitovane bezbednosti.

SR

230

BEŽIČNI DUVAČ ZA SNEG SA LITIJUM-JONSKOM BATERIJOM OD 56 VOLTI — SNT2120E-AP

NAZIV DELA	BROJ MODELA
Komplet gumenih lopatica i gumenih svrdala	ARP2120
Šipka strugača	ASS2120

OPIS

UPOZNAJTE SVOJ DUVAČ ZA SNEG (slika A1-A3)

1. Glavna drška
2. Žičani prekidač (poluga prekidača)
3. Indikator napajanja
4. Drška za podizanje
5. Poluga za brzo oslobađanje
6. Poklopac odeljka za bateriju
7. Točak (2 kom.)
8. Poklopac pogonskog kaiša
9. Sklop svrdla
10. LED prednja svetla
11. Deflektor žleba
12. Drška deflektora žleba
13. Drška za rotiranje žleba
14. Inbus ključ
15. Dugme za brzinu svrdla
16. Prekidač za LED prednja svetla
17. Sigurnosno dugme
18. Dugme za otpuštanje baterije
19. Dugme za zaključavanje
20. Reza
21. Mehanizam za izbacivanje
22. Električni kontakt

POPIS PAKOVANJA (SLIKA A1)

SASTAVLJANJE

OTKLANJE BOČNIH ŠINA

1. Duvač za sneg se isporučuje sa bočnim šinama u preklopljenom, zaključanom položaju (slika B1).
2. Otvorite poluge za brzo oslobađanje na obe strane i nežno okrenite bočne šine nagore dok se ne zaustave (slika B2 i B3).
3. Zatvorite poluge za brzo oslobađanje a zatim zategnite dugmad za zaključavanje (slika B4).

INSTALIRANJE ŽLEBA

1. Priloženim inbus ključem olabavite i uklonite dva kompleta zavrtnja i podloški u osnovi žleba (slika C1).

C1-1	Osnova žleba
------	--------------

2. Poravnajte ureze na žlebu sa prorezom na osnovi žleba a zatim gurnite žleb na njegovo mesto (slika C2).

C2-1	Urez na žlebu	C2-2	Prorez na osnovi žleba
------	---------------	------	------------------------

3. Priloženim inbus ključem zaključajte žleb na njegovom mestu pomoću dva kompleta zavrtnja i podloški (slika C3).

RUKOVANJE

POSTAVLJANJE/SKIDANJE BATERIJE

Upotrebljavajte samo baterije i punjače proizvođača EGO navedene na slici A4.

Pogledajte odgovarajuće priručnike za bateriju i punjač radi više detalja.

Baterije potpuno napunite pre prve upotrebe.

1. Podignite poklopac odeljka za baterije tako što ćete podići prednji deo poklopca (slika D1).
2. **Za pričvršćivanje**, poravnajte rebra baterije sa prorezima za montiranje u jednom odeljku i pritisnite bateriju nadole dok ne čujete „škljoc“. Spojite drugu bateriju. (Slika D2)
3. **Za odvajanje**, pritisnite dugme za otpuštanje baterije i izvucite bateriju (slika D3).

D3-1	Dugme za otpuštanje baterije
------	------------------------------

4. Zatvorite poklopac odeljka za baterije.

POKRETANJE/ZAUSTAVLJANJE DUVAČA ZA SNEG

NAPOMENA: Nemojte brzo isključivati i uključivati duvač za sneg.

Za pokretanje duvača za sneg

1. Pričvrstite baterije na duvač za sneg i zatvorite poklopac baterija.
2. Aktivirajte duvač za sneg pritiskom na sigurnosno dugme.
3. Dok je sigurnosno dugme pritisnuto, povucite žičani prekidač nagore do glavne drške (slika E1).

E1-1	Sigurnosno dugme	E1-2	Žičani prekidač
------	------------------	------	-----------------

4. Kad se svrdlo pokrene, pustite sigurnosno dugme i počnite rad (slika E2).
5. **Da biste se kretali napred**, podignite glavnu dršku da biste omogućili sklopu svrdla da dođe u dodir sa tlom (slika E3). Trakcija svrdla će pomoći u kretanju duvača za sneg unapred.

E3-1	Normalan radni položaj	E3-2	Položaj kretanja pomoću svrdla
E3-3	Sklop svrdla dodiruje tlo		

NAPOMENA: Duvač za sneg se možda neće pravilno pokrenuti ako je temperatura baterije -20 °C ili manje. Ako se jedinica ne pokreće, izvadite bateriju iz duvača za sneg i ostavite je u zatvorenom prostoru da se ugrije 10 minuta ili duže. Ponovo instalirajte bateriju i pokušajte ponovo.

Za zaustavljanje duvača za sneg

1. Potpuno pustite žičani prekidač (slika E4).

E4-1	Sigurnosno dugme (potpuno pušteno)	E4-2	Žičani prekidač (potpuno pušten)
------	------------------------------------	------	----------------------------------

2. Električna kočnica u automatskom kočionom mehanizmu će zaustaviti okretanje svrdla nakon što žičani prekidač bude pušten.

Sistem varijabilne brzine svrdla (slika E5)

1. Za povećanje brzine svrdla, pomerite dugme za brzinu svrdla dalje od sebe.
2. Za smanjenje brzine, pomerite dugme za brzinu svrdla prema sebi.

LED prednja svetla (slika E6)

1. Da uključite prednja svetla, pritisnite prekidač za LED prednja svetla. Prednja svetla daju jarku svetlost ispred duvača za sneg.
2. Da isključite prednja svetla, pritisnite prekidač za LED prednja svetla ponovo.

NAPOMENA: LED prednja svetla će se automatski isključiti kad duvač za sneg bude neaktivan tokom 5 minuta da bi se sačuvala napunjenost baterije.

PODEŠAVANJE ŽLEBA

Smer uklanjanja snega se može podesiti do 180° (slika E7).

SR

E7-1	Drška za rotiranje žleba	E7-2	Žleb
------	--------------------------	------	------

1. Gurnite dršku za rotiranje žleba unapred da okrenete žleb ulevo.
2. Povucite dršku za rotiranje žleba unazad da okrenete žleb udesno.

Razdaljina izbacivanja duvača snega je delimično određena uglom nagiba deflektora žleba (slika E8).

E8-1	Okidač	E8-2	Deflektor žleba
------	--------	------	-----------------

1. Da biste povećali razdaljinu na koju se sneg izbacuje, pritisnite okidač na dršci deflektora žleba a zatim podignite deflektor žleba. Pustite okidač na dršci deflektora žleba da biste zaključali deflektor žleba na tom mestu.
2. Da biste smanjili razdaljinu na koju se sneg izbacuje, jednostavno spustite deflektor pomoću drške deflektora žleba.

ČIŠĆENJE ZAPUŠENOG ŽLEBA

1. Isključite motor i svrdlo!
2. Izvadite baterije iz duvača za sneg.
3. Sačekajte da svrdlo prestane da se okreće.
4. Uvek koristite alat za čišćenje, poput drvene šipke ili drugih alata za čišćenje koji su komercijalno dostupni; ne koristite ruke.

INDIKATOR NAPAJANJA NA DUVAČU ZA SNEG

Indikator napajanja će svetleti samo kad se duvač za sneg uključi.

INDIKATOR NAPAJANJA	ZNAČENJE	AKCIJA
Bljeska zeleno	Sigurnosno dugme je pritisnuto i duvač za sneg ima napajanje i spreman je za rad. Svaka umetnuta baterija je najmanje 15% napunjena.	Nije primenjivo
Svetli zeleno	Duvač za sneg radi pravilno i svaka baterija ima najmanje 15% punjenja.	Nije primenjivo

SR

Bljeska crveno	Nivo napunjenosti baterija je nizak. Svrdlo se ne okreće ali LED prednja svetla bi mogla da budu uključena kratko vreme.	Zaustavite duvač za sneg i napunite baterije.
Svetli narandžasto	Duvač za sneg je pregrejan.	Zaustavite duvač za sneg i sačekajte neko vreme da se mašina ohladi.
Bljeska narandžasto	Duvač za sneg je preopterećen.	Izvadite baterije. Proverite da li se sneg nakupio ispod svrdla ili je zaglavljen u svrdlu i očistite ga. Usporite tempo rada ili smanjite širinu čišćenja snega dok radite.
Naizmenično bljeska crveno i zeleno	Greška komunikacije.	Obratite se EGO servisnom centru radi popravke.
Nema indikacije	Ako LED indikator na jednoj ili obe baterije bljeska narandžasto ili svetli crveno, ta baterija je pregrejana.	Zaustavite duvač za sneg i sačekajte da se baterija ohladi.
	Ostale greške: prekidač, svetlo, itd.	Obratite se EGO servisnom centru radi popravke.

ZAŠTITA OD PREOPTEREĆENJA DUVAČA ZA SNEG

Da biste sprečili uslove preopterećenja, ne pokušavajte da očistite suviše snega odjednom. Usporite tempo rada ili smanjite širinu čišćenja snega.

Duvač za sneg ima ugrađene senzorske elemente za preopterećenje. Kad je duvač za sneg preopterećen, motor će automatski smanjiti brzinu i čućete da se nivo buke

motora smanjio. U slučaju preopterećenja, usporite korak ili smanjite širinu čišćenja, nakon čega će brzina motora nastaviti na svojoj normalnoj postavci automatski. Ako ovaj postupak ne reši situaciju preopterećenja, senzor će automatski isključiti motor a indikator napajanja će bljeskati narandžasto. Izvadite baterije iz duvača za sneg. Proverite da li se sneg ili led zalepio za svrdlo ili platformu i po potrebi ga očistite pomoću alata za čišćenje. Ponovo instalirajte baterije i ponovo pokrenite duvač za sneg.

ZAŠTITA OD VISOKE TEMPERATURE BATERIJE

Ako temperatura baterije pređe 70 °C tokom rada, strujno kolo zaštite od temperature će odmah isključiti duvač za sneg kako bi zaštitilo baterije od oštećenja od pregrevanja. Indikator napajanja na duvaču za sneg će biti isključen a LED indikator na bateriji će bljeskati narandžasto ili svetleti crveno. Pogledajte odeljak „ZAŠTITA BATERIJE“ u priručniku za rukovaoca za bateriju radi više informacija o LED indikatoru na bateriji.

Pustite žičani prekidač i sačekajte da se pregrejane baterije ohlade i da svetlo na LED indikatoru baterije postane zeleno a zatim ponovo pokrenite duvač za sneg.

Da biste sprečili isključivanje zbog zaštite baterije od visoke temperature, ne pokušavajte da koristite jednu bateriju za napajanje duvača za sneg kad dubina nagomilanog snega premašuje 76 mm ili kad je sneg veoma mokar ili zaleđen. Preporučujemo istovremenu upotrebu dve baterije. To je korisno za postizanje vršne snage duvača za sneg.

Nakon što dođe do zaštite od visoke temperature, usporite tempo i smanjite širinu čišćenja snega da biste smanjili opterećenje baterije.

ODRŽAVANJE

⚠ UPOZORENJE: Vodite računa da isključite jedinicu i izvadite baterije pre obavljanja bilo kakvih zadataka održavanja na duvaču za sneg.

OPŠTE ODRŽAVANJE

Izbegavajte korišćenje rastvarača kada čistite plastične delove. Većina plastike je podložna oštećenjima od raznih tipova komercijalnih rastvarača i može se oštetiti njihovom upotrebom. Za uklanjanje prljavštine, prašine, ulja, masti i sl. upotrebljavajte čiste krpe.

PODMAZIVANJE MAŠINE

Svi ležajevi u ovom proizvodu su podmazani izvesnom količinom visokokvalitetnog lubrikanta dovoljnom za ceo radni vek jedinice u normalnim uslovima rukovanja. Stoga nije potrebno dodatno podmazivanje ležajeva.

ZAMENA ŠIPKE STRUGAČA

Potrebna alat (nije priložen):

- Francuski ključ od 8 mm
- T20 Torx šrafciğer

1. Šipka strugača se nalazi na donjem delu platforme duvača za sneg, ispod svrdla (slika F1).

F1-1	Šipka strugača
------	----------------

2. Okrenite duvač za sneg na bočnu stranu (slika F2).
3. Nosite rukavice. Uklonite 5 kompleta matica, elastičnih podloški i zavrtnja sa spoljašnje strane i uklonite 2 Torx vijka sa unutrašnje strane. Odvojite pohabanu šipku strugača (slika F2).

F2-1	Spoljašnja matica (x5)	F2-2	Torx vijak (x2)
------	------------------------	------	-----------------

4. Pričvrstite novu šipku strugača i umetnite 2 Torx vijka (slika F3).

F3-1	Unutrašnja rupa (x2)	F3-2	Šipka strugača (sajna površina okrenuta unutra)
F3-3	Torx vijak (x2)		

5. Umetnite 5 zavrtnja i zategnite elastičnim podloškama i maticama (slika F4 i F5).

F5-1	Matica	F5-2	Elastična podloška
F5-3	Platforma	F5-4	Šipka strugača
F5-5	Zavrtnaj		

ZAMENA GUMENIH LOPATICA I GUMENIH SVRDALA

Da biste zamenili gumene lopatice: (slika G1)

G1-1	Gumene lopatice	G1-2	2 kompleta zavrtnja i matica na svakoj lopatici (ukupno 4 kompleta)
------	-----------------	------	---

Potrebna alat (nije priložen):

- Odvijač sa ravnom glavom
- Francuski ključ od 10 mm

1. Nosite rukavice. Ručno okrenite čelično svrdlo u odgovarajući položaj za lako rasklapanje gumene lopatice.

- Uklonite sve pričvršćujuće zavrtnje i matice da biste izvadili gumene lopatice.
- Zamenite ih novim gumenim lopaticama i čvrsto ih zategnite.

Za zamenu gumenih svrdala (slika G2)

G2-1	Gumeno svrdlo (x4)	G2-2	1 komplet zavrtnja, podloške i matice na svakom svrdlu (ukupno 4 kompleta)
G2-3	2 kompleta zavrtnja i matica na svakom svrdlu (ukupno 8 kompleta)		

Potreban alat:

- Francuski ključ od 13 mm (nije priložen)
 - Inbus ključ od 5 mm (priložen)
- Nosite rukavice. Ručno okrenite čelično svrdlo u odgovarajući položaj za lako rasklapanje gumenog svrdla.
 - Uklonite sve pričvršćujuće zavrtnje i matice da biste izvadili gumena svrdla.
 - Zamenite ih novim gumenim svrdlima i čvrsto ih zategnite.

SKLADIŠTENJE DUVAČA ZA SNEG

- Izvadite baterije i uskladištite ih na bezbednom mestu van domašaja dece.

Pre skladištenja obrišite svu vlagu, zemlju ili prljavštinu sa odeljka za baterije i oko njega.

- Obrišite duvač za sneg čistom, suvom krpom.
- Proverite da li su svi navrtnji, zavrtnji, dugmad, vijci itd. zategnuti.
- Pregledajte da li su pokretni delovi oštećeni, polomljeni i pohabani. Odnosite da se poprave svi oštećeni ili nedostajući delovi.
- Preklopite bočne šine u položaj za skladištenje.
- Skladištite duvač za sneg u čistom, suvom, zatvorenom prostoru van domašaja dece.
- Ne skladištite u blizini korozivnih materijala, poput đubriva ili kamene soli.

PREKLAPANJE BOČNIH ŠINA

- Gurnite dršku za rotiranje žleba sasvim unapred tako da žleb bude okrenut ulevo, što će osigurati da nema smetnji za preklapanje. Pritisnite okidač na dršci deflektora žleba da biste ga nagnuli sasvim nadole (slika H1).

- Otvorite poluge za brzo oslobađanje sa obe strane da biste preklopili bočne šine u položaj za skladištenje (slika H2).

PODIZANJE I NOŠENJE DUVAČA ZA SNEG

- Izvadite baterije.
- Preklopite bočne šine kako je opisano u prethodnom poglavlju.
- Podignite i nosite jedinicu tako što ćete uhvatiti dršku za podizanje jednom rukom a područje za podizanje, na gornjem delu ulaza snega (neposredno ispod EGO logotipa), drugom rukom (slika I).

I-1	Područje za podizanje	I-2	Drška za podizanje
-----	-----------------------	-----	--------------------

ZAŠTITA ŽIVOTNE SREDINE



WEEE (otpadna električna i elektronska oprema): ne odlazite električnu opremu, potrošene baterije i punjače u kućni otpad! Odnosite ovaj proizvod u ovlašćeni pogon za reciklažu ili ga odvojite od ostalog smeća radi zasebnog prikupljanja. Električni alati moraju se odneti u ekološki prihvatljiv pogon za reciklažu.

REŠAVANJE PROBLEMA

PROBLEM	UZROK	REŠENJE
Bočne šine neće da ostanu na svom mestu.	<ul style="list-style-type: none"> ■ Dugmad za zaključavanje na bočnim šinama i/ili poluge za brzo oslobađanje nisu zategnuti. 	<ul style="list-style-type: none"> ■ Osigurajte da dugmad za zaključavanje na bočnim šinama budu potpuno zategnuta i da poluge za brzo oslobađanje budu potpuno zatvorene.
Duvač za sneg neće da se pokrene.	<ul style="list-style-type: none"> ■ Napunjenost baterije je niska. ■ Svrdlo je zamrznuto zbog snega ili leda. ■ Baterija je pregrejana. LED indikator na bateriji bljeska narandžasto ili svetli crveno (pogledajte odeljak „ZAŠTITA OD VISOKE TEMPERATURE BATERIJE“ u ovom priručniku). ■ Netačni koraci za uključivanje duvača za sneg. ■ Neidentifikovana greška 	<ul style="list-style-type: none"> ■ Napunite bateriju. ■ Prvo izvadite baterije; zatim pomoću alatke za čišćenje očistite sneg ili led koji ometa svrdlo. Ponovo instalirajte baterije i ponovo pokrenite duvač za sneg. ■ Izvadite pregrejane baterije iz duvača za sneg i sačekajte da se baterije ohlade na približno 67 °C. Ponovo instalirajte baterije i ponovo pokrenite duvač za sneg. ■ (1) Pritisnite sigurnosno dugme dok indikator napajanja ne počne da bljeska zeleno. (2) Dok je dugme pritisnuto, povucite žičani prekidač nagore do glavne drške. ■ Obratite se EGO servisnom centru radi popravke.
Motor je uključen ali se svrdlo ne okreće.	<ul style="list-style-type: none"> ■ Pogonski kaiš je pohaban ili puknut. 	<ul style="list-style-type: none"> ■ Obratite se EGO servisnom centru radi popravke.
Nakon prolaska, duvač za sneg ostavlja sloj snega na tlu.	<ul style="list-style-type: none"> ■ Šipka strugača je pohabana. 	<ul style="list-style-type: none"> ■ Zamenite strugač prateći odeljak „ZAMENA ŠIPKE STRUGAČA“ u ovom priručniku.
Duvač za sneg izbacuje manje snega.	<ul style="list-style-type: none"> ■ Gumene lopatice su pohabane. ■ Brzina svrdla je možda premala. 	<ul style="list-style-type: none"> ■ Zamenite gumene lopatice prateći odeljak „ZAMENA GUMENIH LOPATICA“ u ovom priručniku. ■ Povećajte brzinu svrdla.
Шнекът не успява да се зацепи и изисква допълнително усилие, за да избутва машината за почистване на сняг напред.	<ul style="list-style-type: none"> ■ Gumena svrdla su pohabana. 	<ul style="list-style-type: none"> ■ Zamenite gumena svrdla prateći odeljak „ZAMENA GUMENIH SVRDALA“ u ovom priručniku.

GARANCIJA

EGO POLITIKA GARANCIJE

Posetite veb-lokaciju egopowerplus.com za potpune uslove i odredbe EGO politike garancije.

SR

PROČITAJTE UPUTSTVO U CIJELOSTI!**PROČITAJTE KORISNIČKI PRIRUČNIK.****SIGURNOSNI SIMBOL**

Rukovanje električnim alatima može rezultirati odbacivanjem stranih predmeta u oči, što opet može izazvati teška oštećenja očiju. Prije početka rukovanja električnim alatom, uvijek nosite zatvorene zaštitne naočale ili zaštitne naočale s bočnim štitnicima, a prema potrebi i štitnik za cijelo lice. Preporučujemo nošenje sigurnosne maske proizvođača Wide Vision preko naočala ili nošenje standardnih zaštitnih naočala s bočnim štitnicima.



Simbol upozorenja



Radi smanjenja opasnosti od povreda, prije upotrebe ovog proizvoda korisnik treba s razumijevanjem pročitati ovaj korisnički priručnik.



Kada upotrebljavate ovaj proizvod, uvijek nosite zatvorene zaštitne naočale ili zaštitne naočale s bočnim štitnicima i štitnik za cijelo lice.



Nemojte rukama očepljivati kanal.

**OPREZ!** Nemojte zuriti u radnu lampu.

Stopala i šake držite na udaljenosti



Stopala držite podalje od rotirajućeg propelera.



Zagarantovani nivo zvučne snage. Emisija buke u okruženju u skladu je s Direktivom Evropske unije.



Otpadni električni proizvodi ne smiju se odlagati s otpadom iz domaćinstva. Odnosite ih u ovlašteni centar za reciklažu.



Ovaj proizvod je u skladu s primjenjivim direktivama EU.



Istosmjerna struja



Ovaj proizvod je u skladu s važećim zakonodavstvom Velike Britanije.

IPX4 Stepen zaštite od prodiranja vode

B Volt

cm Centimetri

M Meter

kg Kilogram

TEHNIČKI PODACI

Napon	56 V	
Širina čišćenja	520 mm	
Visina prihvata	330 mm	
Daljina odbacivanja	Do 14 m	
Veličina točka	178 mm	
Preporučena radna temperatura	-20 °C - 10 °C	
Temperatura skladištenja	-20 °C - 70 °C	
Masa (bez kompleta baterija)	27 kg	
Izmjereni nivo zvučne snage L_{WA}	96 dB(A) K=1,8 dB(A)	
Nivo zvučnog pritiska kod uha rukovaoca L_{PA}	80 dB(A) K=4 dB(A)	
Zagarantovani nivo zvučne snage L_{WA} (izmjereno u skladu s Direktivom 2000/14/EZ)	98 dB(A)	
Procjena vibracija a_h :	Lijevi rukohvat	1,3 m/s ² K=1,5 m/s ²
	Desni rukohvat	1,3 m/s ² K=1,5 m/s ²

- Deklarisane ukupne vrijednosti vibracija izmjerene su u skladu sa standardnom metodom ispitivanja i mogu se primjenjivati za poređenje jednog alata s drugim.
- Deklarisane ukupne vrijednosti vibracija mogu se primjenjivati i u preliminarnoj procjeni izloženosti.

NAPOMENA! Emisija vibracija tokom aktualne upotrebe električnog alata može se razlikovati od deklarirane vrijednosti u kojoj se alat upotrebljavao; korisnik radi zaštite treba nositi rukavice i štitičke za uši u aktualnim uslovima upotrebe.

PREPORUČENI PRIBOR

⚠ UPOZORENJE! Sljedeći dijelovi podložni su istrošenosti prilikom uobičajene upotrebe. Upotrebljavajte samo identične zamjenske dijelove navedene u nastavku. Upotreba dijelova koji ne ispunjavaju zahtjeve specifikacija originalne opreme može rezultirati nepropisnim radnim učinkom i nedovoljnom sigurnošću.

NAZIV DIJELA	BROJ MODELA
Gumena lopatica i gumeni set svrdla	ARP2120
Šipka strugača	ASS2120

OPIS

UPOZNAJTE SVOJ ČISTAČ SNIJEGA (sl. A1 – A3)

1. Glavna ručka
2. Sigurnosna sklopka (ručica za prebacivanje)
3. Indikator napajanja
4. Ručka za podizanje
5. Ručica za brzo otpuštanje
6. Poklopac pretinca za baterije
7. Točak (x2)
8. Poklopac pogonskog remena
9. Sklop svrdla
10. Prednja LED svjetla
11. Deflektor kanala
12. Ručica deflektora kanala
13. Ručica za rotaciju kanala
14. Inbus ključ
15. Svrdlo za brzo biranje
16. Prekidač za prednja LED svijetla
17. Sigurnosno dugme
18. Dugme za oslobađanje baterije
19. Dugme za blokadu
20. Bravica
21. Mehanizam za izbacivanje
22. Električni kontakt

SADRŽAJ PAKOVANJA (SL. A1)

SASTAVLJANJE

OTKLAPANJE BOČNIH ŠINA

1. Vaš čistač snijega se isporučuje sa bočnim šinama u preklopljenom, zaključanom položaju (Sl. B1).
2. Otvorite poluge za brzo otpuštanje sa obje strane i lagano okrenite bočne šine prema gore dok se ne zaustave (Sl. B2 i B3).
3. Zatvorite poluge za brzo otpuštanje i zatim zategnite dugme za blokadu (Sl. B4).

BS

INSTALACIJA IZBACIVAČA

1. Koristite isporučeni imbus ključ da olabavite i uklonite dva seta vijaka i podložaka na dnu osnove izbacivača (Sl. C1).

C1-1	Osnova izbacivača
------	-------------------

2. Poravnajte žljebove izbacivača sa prorezom na osnovi izbacivača, a zatim gurnite izbacivač na mjesto (Sl. C2).

C2-1	Utor izbacivača	C2-2	Prorez na osnovi izbacivača
------	-----------------	------	-----------------------------

3. Koristite isporučeni imbus ključ da zaključate izbacivač na mjestu s dva seta vijaka i podložaka (Sl. C3).

RAD

POSTAVLJANJE/SKIDANJE KOMPLETA BATERIJA

Koristite samo sa EGO baterijama i punjačima navedenim na Sl. A4.

Za više detalja pogledajte odgovarajuće priručnike za baterije i punjače.

Komplet baterija potpuno napunite prije prve upotrebe.

1. Podignite poklopac odeljka za baterije tako što ćete podići prednji dio poklopca (Sl. D1).
2. **Za pričvršćivanje**, poravnajte rebra baterije sa utorima za montiranje u jednom i pritisnite bateriju dok ne čujete "klik". Pričvrstite drugu bateriju. (Sl. D2)
3. **Za odvajanje**, pritisnite dugme za otpuštanje baterije i izvucite bateriju (Sl. D3).

D3-1	Dugme za oslobađanje baterije
------	-------------------------------

4. Zatvorite poklopac odeljka za baterije.

POKRETANJE/ZAUSTAVLJANJE ČISTAČA SNIJEGA

NAPOMENA! Čistač snijega nemojte naglo isključiti pa uključiti.

Pokretanje čistača snijega

1. Pričvrstite komplet baterija u čistač snijega i zatvorite poklopac baterije.
2. **UKLJUČITE** čistač snijega pritiskom na sigurnosno dugme.
3. Sa pritisnutim sigurnosnim dugmetom, povucite sigurnosni prekidač prema gore kako biste dotakli glavnu ručku (Sl. E1).

E1-1	Sigurnosno dugme	E1-2	Sigurnosni prekidač
------	------------------	------	---------------------

4. Kada se svrdlo pokrene, otpustite sigurnosno dugme i započnete s radom (Sl. E2).
5. **Da biste krenuli naprijed**, podignite glavnu ručku kako biste omogućili da sklop svrdla dodiruje tlo (Sl. E3). Vuča svrdla će pomoći u pomicanju čistača za snijeg naprijed.

E3-1	Normalan radni položaj	E3-2	Pokrenuta pozicija svrdla
E3-3	Sklop svrdla u kontaktu s zemljom		

NAPOMENA! Čistač snijega možda se neće propisno pokrenuti ako je temperatura baterije -20 °C ili niža. Ako se jedinica ne pokrene, izvadite bateriju iz čistača za snijeg i ostavite da se grije u zatvorenom prostoru 10 minuta ili duže. Vratite bateriju u čistač snijega i pokušajte ponovo.

Zaustavljanje čistača snijega

1. Potpuno otpustite sigurnosni prekidač (Sl. E4)

E4-1	Sigurnosno dugme (potpuno otpušteno)	E4-2	Sigurnosni prekidač (potpuno otpušten)
------	--------------------------------------	------	--

2. Električna kočnica u mehanizmu za automatsko kočenje će zaustaviti rotaciju svrdla nakon što se otpusti sigurnosni prekidač.

Sistem varijabilne brzine svrdla (Sl. E5)

1. Da biste povećali brzinu svrdla, odmaknite toččić za brzinu svrdla od operatera.
2. Da biste smanjili brzinu, pomaknite toččić za brzinu svrdla prema operateru.

Prednja LED svjetla (Sl. E6)

1. Za uključivanje prednjih svjetala pritisnite prekidač prednjih LED svjetala. Prednja svjetla pružaju jaku svjetlost s prednje strane čistača snijega.
2. Da biste isključili prednja svjetla, ponovo pritisnite prekidač prednjih LED svjetala.

NAPOMENA! Prednja LED svjetla će se automatski isključiti kada je čistač snijega neaktivan 5 minuta kako bi se sačuvala napunjenost baterije.

PODEŠAVANJE IZBACIVAČA

Smjer uklanjanja snijega može se podesiti do 180° (Sl. E7).

E7-1	Ručica za rotaciju izbacivača	E7-2	Izbacivač
------	-------------------------------	------	-----------

1. Gurnite ručicu za rotaciju izbacivača naprijed kako biste rotirali izbacivač ulijevo.
2. Gurnite ručicu za rotaciju izbacivača unazad kako biste rotirali izbacivač udesno.

Daljina izbacivanja čistača za snijeg je djelimično određena uglom nagiba deflektora izbacivača (Sl. E8).

E8-1	Okidač	E8-2	Deflektor izbacivača
------	--------	------	----------------------

1. Da biste povećali udaljenost koju se izbacuje snijeg, pritisnite okidač na ručici deflektora izbacivača, a zatim podignite deflektor izbacivača. Otpustite okidač na ručici deflektora izbacivača da zaključate deflektor izbacivača na mjestu.
2. Da biste smanjili udaljenost na koju se izbacuje snijeg, jednostavno spustite deflektor pomoću ručke deflektora izbacivača.

ČIŠĆENJE ZAČEPLJENOG KANALA

1. Isključite motor i svrdlo!
2. Izvadite komplet baterija iz čistača snijega.
3. Sačekajte da se svrdlo prestane okretati.
4. Uvijek koristite alat za čišćenje, kao što je drvena šipka ili drugi alat za čišćenje koji su komercijalno dostupni; ne koristite svoju ruku.

INDIKATOR NAPAJANJA NA ČISTAČU ZA SNIJEG

Indikator napajanja će se upaliti samo kada se čistač za snijeg pokrene.

INDIKATOR NAPAJANJA	ZNAČENJE	RADNJA
Treperi zeleno.	Sigurnosno dugme je pritisnuto i čistač za snijeg je uključen i spreman za rad. Svaka umetnuta baterija ima najmanje 15% napunjenosti.	Nije primjenjivo.
Svijetli zeleno.	Čistač snijega radi propisno i svaka baterija ima najmanje 15% punjenja.	Nije primjenjivo.

Treperi crveno.	Nivo napunjenosti baterije je nizak. Svrdlo se ne okreće, ali prednja LED svjetla mogu biti uključeni na kratko.	Zaustavite čistač snijega i napunite komplet baterija.
Svijetli narandžasto.	Čistač snijega je pregrijan.	Zaustavite čistač snijega i pričekajte neko vrijeme da se mašina ohladi.
Treperi narandžasto.	Čistač snijega je preopterećen.	Izvadite komplet baterija. Provjerite i očistite snijeg koji se skupio ispod ili je zaglavljen u svrdlu. Usporite tempo ili smanjite širinu zahvata čišćenja snijega dok radite.
Naizmjenično treperi crveno i zeleno	Greška u komunikaciji.	Za popravak se obratite servisnom centru proizvođača EGO.
Nema indikacija	Ako LED indikator na jednoj ili oba paketa baterija treperi narandžasto ili svijetli crveno, paketi baterija su se pregrijali.	Zaustavite čistač snijega i ostavite bateriju da se ohladi.
	Ostale greške: prekidač, svjetlo itd.	Za popravak se obratite servisnom centru proizvođača EGO.

ZAŠTITA ČISTAČA SNIJEGA OD PREOPTEREĆENJA

Da biste spriječili uvjete preopterećenja, nemojte pokušavati ukloniti previše snijega odjednom. Usporite tempo ili smanjite širinu čišćenja snijega.

Vaš čistač snijega ima ugrađene elemente osjetljive na preopterećenje. Kada se čistač snijega preopteret, motor će automatski smanjiti brzinu i čut ćete kako se smanjuje nivo

BS

buke motora. U slučaju preopterećenja, usporite tempo ili suzite širinu čišćenja, nakon čega će se brzina motora automatski vratiti na normalnu postavku. Ako s ovim postupkom ne riješite problem s preopterećenjem, senzor će automatski isključiti motor, a indikator napajanja treperiti narandžasto. Izvadite komplet baterija iz čistača snijega. Provjerite ima li snijega ili leda zaglavljeno na svrdlu i kućištu i koristite alat za čišćenje da ih očistite po potrebi. Stavite baterije i ponovo pokrenite čistač snijega.

ZAŠTITA BATERIJE OD VISOKIH TEMPERATURA

Ako temperatura baterije tokom rada prekorači 70 °C, temperaturni zaštitni krug odmah će isključiti čistač snijega da zaštiti komplet baterija od oštećenja uslijed pregrijavanja. Indikator napajanja na čistač za snijeg će biti isključen, a LED indikator na bateriji će treptati narandžasto ili svijetliti crveno. Molimo pogledajte odjeljak "ZAŠTITA BATERIJE" u uputstvu za upotrebu baterije za više informacija o LED indikatoru na bateriji.

Otpustite sigurnosni prekidač i pričekajte da se pregrijana baterija ohladi i da svjetlo na LED indikatoru baterije postane zeleno, a zatim ponovo pokrenite čistač za snijeg.

Kako biste spriječili isključivanje zbog zaštite baterije od visoke temperature, nemojte pokušavati koristiti jednu bateriju za napajanje čistača za snijeg kada dubina nagomilanog snijega prelazi 76 mm ili kada je snijeg jako mokar ili zaleđen. Preporučujemo korištenje dvije baterije koje rade istovremeno. Ovo je od pomoći u postizanju vrhunske snage čistača za snijeg.

Nakon uključivanja zaštite od visoke temperature, usporite tempo i suzite širinu čišćenja snijega kako biste smanjili opterećenje baterije.

ODRŽAVANJE

⚠ UPOZORENJE! Obavezno isključite jedinicu i uklonite bateriju(e) prije obavljanja bilo kakvog zadatka održavanja na vaše, čistaču za snijeg.

OSNOVNO ODRŽAVANJE

Kada čistite plastične dijelove, izbjegavajte upotrebljavati rastvore. Mnoge plastike mogu se oštetiti različitim vrstama komercijalnih rastvora i mogu se oštetiti njihovom upotrebom. Za uklanjanje prljavštine, prašine, ulja, masti i sl. upotrebljavajte čiste krpe.

PODMAZIVANJE MAŠINE

Svi ležajevi u ovom proizvodu podmazani su dovoljnom količinom maziva visoke kvalitete za cijeli radni vijek jedinice u normalnim radnim uslovima. Daljnje podmazivanje ležajeva stoga nije potrebno.

ZAMJENA ŠIPKE STRUGAČA

Potrebni alati (nisu uključeni):

- Viljuškasti ključ od 8 mm
- T20 Torx odvijač

1. Šipka za struganje se nalazi na dnu kućišta čistača za snijeg, ispod svrdla (Sl. F1).

F1-1	Šipka strugača
------	----------------

2. Okrenite čistač snijega na stranu (Sl. F2).
3. Nosite rukavice. Uklonite 5 kompleta matica, elastične podloške i vijke s vanjske strane i uklonite 2 Torx vijka iznutra. Odvojite istrošenu šipku strugača (Sl. F2).

F2-1	Vanjska matica (x5)	F2-2	Torx vijak (x2)
------	---------------------	------	-----------------

4. Pričvrstite novu šipku strugača i umetnite 2 Torx vijka (Sl. F3).

F3-1	Unutrašnja rupa (x2)	F3-2	Šipka strugača (sjajna površina okrenuta unutra)
F3-3	Torx vijak (x2)		

5. Umetnite 5 zavrtnja i zategnite ih elastičnim podloškama i maticama (Sl. F4 i F5).

F5-1	Matica	F5-2	Elastična podloška
F5-3	Ploča	F5-4	Šipka strugača
F5-5	Osovinica		

ZAMJENA GUMENIH LOPATICA I GUMENIH SVRDLA

Za zamjenu gumenih lopatica: (Sl. G1)

G1-1	Gumene lopatice	G1-2	2 seta vijaka i matica na svakoj lopatici (ukupno 4 seta)
------	-----------------	------	---

Potrebni alati (nisu uključeni):

- Odvijač sa ravnom glavom
- Viljuškasti ključ od 10 mm

1. Nosite rukavice. Manuelno rotirajte čelično svrdlo u odgovarajući položaj za jednostavno rastavljanje gumene lopatice.
2. Uklonite sve pričvrstne vijke i maticе da izvadite gumene lopatice.

- Zamijenite ih novim gumenim lopaticama i čvrsto ih zategnite.

Za zamjenu gumenih svrdla (Sl. G2)

G2-1	Gumeno svrdlo (x4)	G2-2	1 set vijaka, podloške i matice na svakom svrdlu (ukupno 4 seta)
G2-3	2 seta vijaka i matica na svakom svrdlu (ukupno 8 setova)		

Potrebni alati:

- Vijluškasti ključ od 13 mm (nije u sadržaju isporuke)
 - Imbus ključ od 5 mm (isporučen)
- Nosite rukavice. Manually rotirajte čelično svrdlo u odgovarajući položaj za jednostavno rastavljanje gumenog svrdla.
 - Uklonite sve pričvršne vijke i matice da izvadite gumena svrdla.
 - Zamijenite ih novim gumenim svrdlima i dobro ih zategnite.

SKLADIŠTENJE ČISTAČA SNIJEGA

- Izvadite komplet baterija i skladištite ga na sigurno mjesto izvan dohvata djece.

Prije skladištenja, obrišite svu vlagu, prljavštinu ili ostatke iz i oko odjeljka za baterije.

- Obrišite čistač snijega čistom, suhom krpom.
- Provjerite jesu li sve matice, svorni vijci, okretna dugmad, vijci, itd. dobro pritegnuti.
- Pregledajte jesu li pokretni dijelovi oštećeni, polomljeni i istrošeni. Popravite sve oštećene dijelove ili dijelove koji nedostaju.
- Presavijte bočne šine u položaj za skladištenje.
- Čistač snijega skladištite na čistom, suhom, zatvorenom mjestu izvan dohvata djece.
- Čistač snijega nemojte skladištiti u blizini korozivnih materijala kao što su gnojiva ili kamena sol.

PREKLAPANJE BOČNIH ŠINA

- Gurnite ručicu za rotaciju izbacivača kroz naprijed tako da izbacivač bude okrenut lijevo, što će osigurati da nema smetnji prilikom preklapanja. Pritisnite okidač na ručici deflektora izbacivača da ga nagnete do kraja (Sl. H1).
- Otvorite poluge za brzo otpuštanje sa obje strane da biste preklapili bočne šine u položaj za skladištenje (Sl. H2).

PODIZANJE I NOŠENJE ČISTAČA ZA SNIJEG

- Izvadite komplet baterija.
- Preklapite bočne šine kao što je opisano u prethodnom poglavlju.
- Podignite i nosite jedinicu tako što ćete jednom rukom uhvatiti ručicu za podizanje, a drugom rukom područje za podizanje, na vrhu ulaza za snijeg (odmah ispod EGO logotipa) (Sl. I).

I-1	Područje za podizanje	I-2	Ručka za podizanje
-----	-----------------------	-----	--------------------

ZAŠTITA ŽIVOTNE SREDINE



WEEE (električna i elektronička oprema koja više nije iskoristiva) Električnu opremu, iskorištenu bateriju i punjač nemojte odlagati u kućni otpad! Ovaj proizvod odnesite u ovlaštenu centar za reciklažu i time omogućite odvojeno sakupljanje. Električne alate potrebno je vratiti u ekološki prihvatljiv pogon za reciklažu.

OTKLANJANJE PROBLEMA

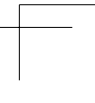
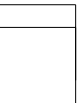
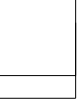
PROBLEM	UZROK	RJEŠENJE
Bočne šine ne ostaju u položaju.	<ul style="list-style-type: none"> ■ Dugme za zaključavanje na bočnim šinama i/ili poluge za brzo otpuštanje nisu osigurane. 	<ul style="list-style-type: none"> ■ Uvjerite se da su ručke za zaključavanje na bočnim šinama potpuno zategnute i da su poluge za brzo otpuštanje potpuno zatvorene.
Čistač snijega se ne pokreće.	<ul style="list-style-type: none"> ■ Napunjenost baterije je niska. ■ Puž je smrznut zbog snijega ili leda. ■ Komplet baterija je pregrijan. LED indikator na bateriji treperi narandžasto ili svijetli crveno (pogledajte odjeljak "ZAŠTITA BATERIJE OD VISOKE TEMPERATURE" u ovom priručniku.) ■ Pogrešni koraci za pokretanje čistača za snijeg. ■ Neidentifikovana greška 	<ul style="list-style-type: none"> ■ Napunite bateriju. ■ Prvo uklonite bateriju(e), a zatim koristite alat za čišćenje da očistite snijeg ili led koji ometaju svrdlo. Ponovo instalirajte baterije i ponovo pokrenite čistač snijega. ■ Uklonite pregrijanu bateriju iz čistača za snijeg i pričekajte dok se baterija ne ohladi na približno 67 °C. Stavite baterije i ponovo pokrenite čistač snijega. ■ (1) Pritiskajte sigurnosno dugme dok indikator napajanja ne treperi zeleno. (2) S pritisnutim dugmetom, povucite sigurnosni prekidač prema gore kako biste dotakli glavnu ručku. ■ Za popravak se obratite servisnom centru proizvođača EGO.
Motor je uključen, ali se svrdlo ne okreće.	<ul style="list-style-type: none"> ■ Pogonski remen je istrošen ili polomljen. 	<ul style="list-style-type: none"> ■ Za popravak se obratite servisnom centru proizvođača EGO.
Nakon prolaska, čistač za snijeg ostavlja sloj snijega na tlu.	<ul style="list-style-type: none"> ■ Šipka strugača je istrošena. 	<ul style="list-style-type: none"> ■ Zamijenite strugač slijedeći odjeljak "ZAMJENA ŠIPKE STRUGAČA" u ovom priručniku.
Čistač za snijeg baca manje snijega.	<ul style="list-style-type: none"> ■ Gumene lopatice su istrošene. ■ Brzina svrdla može biti preniska. 	<ul style="list-style-type: none"> ■ Zamijenite gumene lopatice slijedeći odjeljak "ZAMJENA GUMENIH LOPATICA" u ovom priručniku. ■ Povećajte brzinu svrdla
Svrdlo ne uspijeva da dobije vuču i zahteva dodatni napor da se čistač za snijeg gurne napred.	<ul style="list-style-type: none"> ■ Gumena svrdla su istrošena. 	<ul style="list-style-type: none"> ■ Zamijenite gumena svrdla slijedeći odjeljak "ZAMJENA GUMENIH SVRDLA" u ovom priručniku.

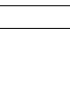
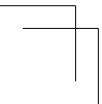
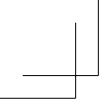
GARANCIJA

POLITIKA GARANCIJE PROIZVOĐAČA EGO

BS

Za sve odredbe i uslove politike garancije proizvođača EGO posjetite internetsku stranicu egopowerplus.com.







الضمان

سياسة ضمان EGO

تفضل بزيارة الموقع الإلكتروني egopowerplus.com للتعرف على الشروط والأحكام الكاملة الخاصة بسياسة ضمان EGO.

استكشاف الأعطال وإصلاحها

المشكلة	السبب	الحل
القضبان الجانبية لا تبقى في موضعها.	<ul style="list-style-type: none"> بكرات القفل الموجودة بالقضبان الجانبية و/أو رافعات التحرير السريع غير محكمة التثبيت. 	<ul style="list-style-type: none"> تأكد من إحكام ربط بكرات القفل الموجودة بالقضبان الجانبية بالكامل وإغلاق رافعات التحرير السريع بالكامل.
لا يمكن بدء تشغيل منفاخ الثلج.	<ul style="list-style-type: none"> شحن البطارية منخفض. البريمة متجمدة بالثلج أو الجليد. هناك سخونة مفرطة في مجموعة البطارية. مؤشر LED الموجودة بمجموعة (مجموعات) البطارية يومض باللون البرتقالي أو يلمع باللون الأحمر (راجع قسم "الحماية ضد الارتفاع الزائد في درجة حرارة البطارية" من هذا الدليل). تم إجراء خطوات غير صحيحة لتشغيل منفاخ الثلج. خطأ غير محدد. 	<ul style="list-style-type: none"> اشحن البطارية. اخلع مجموعة (مجموعات) البطارية أولاً، ثم استخدم أداة تنظيف لإزالة الثلج أو الجليد الذي يعيق البريمة. أعد تركيب مجموعات البطارية، ثم أعد تشغيل منفاخ الثلج. قم بإزالة مجموعة (مجموعات) البطارية الساخنة من منفاخ الثلج، وانتظر حتى إلى أن تبرد وصولاً إلى 67 درجة مئوية تقريباً. أعد تركيب مجموعة (مجموعات) البطارية، ثم أعد تشغيل منفاخ الثلج. (1) اضغط على زر الأمان إلى أن يومض مؤشر الطاقة باللون الأخضر. (2) بينما تضغط لأسفل على زر الأمان، اسحب مفتاح المقبض لأعلى إلى أن يلتقي مع المقبض الأساسي. تواصل مع مركز صيانة شركة EGO لإصلاح العيب.
المحرك يعمل، ولكن البريمة لا تدور.	<ul style="list-style-type: none"> سبب الإدارة متهاك أو مكسور. 	<ul style="list-style-type: none"> تواصل مع مركز صيانة شركة EGO لإصلاح العيب.
بعد المرور، يترك منفاخ الثلج طبقة من الثلج على الأرض.	<ul style="list-style-type: none"> قضيب المكشطة متهاك. 	<ul style="list-style-type: none"> استبدل المكشطة وفقاً للقسم "استبدال قضيب المكشطة" من هذا الدليل.
منفاخ الثلج يرمي ثلجاً أقل.	<ul style="list-style-type: none"> الريش المطاطية متهاكة. قد تكون سرعة البريمة منخفضة جداً. 	<ul style="list-style-type: none"> استبدل الريش المطاطية وفقاً للقسم "لاستبدال الريش المطاطية" من هذا الدليل. زيادة سرعة البريمة
لا يمكن للبريمة تحقيق قوة الجر المطلوبة، ويتطلب جهداً إضافياً لدفع منفاخ الثلج للأمام.	<ul style="list-style-type: none"> البراريم المطاطية متهاكة. 	<ul style="list-style-type: none"> استبدل البراريم المطاطية وفقاً للقسم "لاستبدال البراريم المطاطية" من هذا الدليل.

نيزخ شتلا عضووم علدا ةيبناجلنا نابسضقلما يطب مق
اديغب فسيظن فجاج قلغم نالكم يف جلثلا خافنم نزخ
للافظالما يديا لوانتم ن
لشتم، لكائنلل قتبسملما داوملما نم بقرقلااب نمزخت الو
يرخصلما حللما وا دامسلا

طي القضبان الجانبية

1. ادفع مقبض أنبوب التوجيه الدوار للأمام بحيث يكون الأنبوب متجهًا ناحية اليسار، مما يضمن عدم التسبب في أي تداخل عند الطي. اضغط على الزناد الموجود بمقبض أنبوب التوجيه المثني لإماتته لأسفل حتى النهاية (الشكل H1).
2. افتح رافعات التحرير السريع على كلا الجانبين لطي القضبان الجانبية إلى موضع التخزين (الشكل H2).

رفع منفاح الثلج وحمله

1. اخلع مجموعة (مجموعات) البطارية.
2. قم بطي القضبان الجانبية كما هو موضح في الفصل السابق.
3. ارفع الوحدة واحملها عن طريق الإمساك بمقبض الرفع بيد واحدة، والإمساك بمنطقة الرفع، أعلى مدخل الثلج (أسفل شعار EGO مباشرة)، باليد الأخرى (الشكل 1).

1-1	منطقة الرفع	1-2	مقبض الرفع
-----	-------------	-----	------------

حماية البيئة

نفايات المعدات الكهربائية والإلكترونية (WEEE)

لا تتخلص من المعدات الكهربائية أو البطارية المستهلكة أو الشاحن في النفايات المنزلية! بل توجه بهذا المنتج إلى مركز إعادة تدوير معتمد ليكون متاحًا للفرز بشكل منفرد. يجب إعادة الآلات الكهربائية إلى مرفق إعادة تدوير صديق للبيئة.



F5-5	مسمار ملولب
------	-------------

استبدال الريش المطاطية والبراريم المطاطية

لاستبدال الريش المطاطية: (الشكل G1)

G1-1	أريش المطاطية	G2-2	مجموعتان من المسامير والصواميل على كل ريشة (بإجمالي 4 مجموعات)
------	---------------	------	--

الأدوات المطلوبة (غير مرفقة):

- مفك مفلطح الرأس
- مفتاح بلدي (مفتوح الطرف) 10 مم
- 1. احرص على ارتداء قفازات. قم بتدوير البريمة الفولانية يدويًا إلى الموضع المناسب لتفكيك الريشة المطاطية بسهولة.
- 2. قم بإزالة جميع مسامير وصواميل التثبيت لخلع الريش المطاطية.
- 3. استبدلها بريش مطاطية جديدة، واربطها بإحكام.

لاستبدال البراريم المطاطية (الشكل G2)

G2-1	بريمة مطاطية (4x)	G2-2	مجموعة من المسامير والوردات والصواميل على كل بريمة (بإجمالي 4 مجموعات)
G2-3	مجموعتان من المسامير والصواميل على كل بريمة (بإجمالي 8 مجموعات)		

الأدوات المطلوبة:

- مفتاح بلدي (مفتوح الطرف) 13 مم (غير مرفق)
- مفتاح ربط سداسي (الأنكيه) 5 مم (مرفق)
- 1. احرص على ارتداء قفازات. قم بتدوير البريمة الفولانية يدويًا إلى الموضع المناسب لتفكيك البريمة المطاطية بسهولة.
- 2. قم بإزالة جميع مسامير وصواميل التثبيت لخلع البراريم المطاطية.
- 3. استبدلها ببراريم مطاطية جديدة، واربطها بإحكام.

تخزين منفاخ الثلج

نما نالقم يف امنزخو ءي راظنبلنا ءءاعومجم ءءومجم ءلخا ل.افطالال يءي لوانتم نع اءي عب

قبل التخزين، امسح أي رطوبة أو أوساخ أو عوالمق من حجيرة البطارية أو حولها.

ءففيظن قفاح شءاق ءءقوب ءلشءا ءافنم ءسما

قسلولءما ريماسمل او ليم اوصلما عيم ءطبر نم لكفاء ءهءباش امو ريماسمل او ءءءءبل او

وأفلءلل ءامال ع يأن ءءءب ءءءءءملا ءازءال صءفا ءازءا يءل ع ءاءالصال ءارءاب ءق. لكفاءءل وأ راسلءنل ءءوقءم وأ ءءلاء

إذا تم تفعيل وظيفة الحماية ضد الارتفاع الزائد في درجة الحرارة، قم بإبطاء وتيرتك وتضييق عرض رقعة إزالة الثلج لتقليل الحمل على البطارية.

الصيانة

⚠ تحذير: تأكد من إيقاف تشغيل الوحدة واخلع مجموعة (مجموعات) البطارية قبل إجراء أي مهمة صيانة على منافخ الثلج.

الصيانة العامة

تجنب استخدام المنظفات عند تنظيف الأجزاء البلاستيكية. غالبية المكونات البلاستيكية تكون سريعة التأثر بالأنواع المختلفة للمنظفات الموجودة بالسوق، وقد تتلف نتيجة استخدامها عليها. استخدم قطعة قماش نظيفة لإزالة الأوساخ والأتربة والزيت والشحم وما شابههم.

تشحيم الآلة

ينبغي تشحيم جميع كراسي التحميل (البلي) الموجودة في هذا المنتج بكمية من شحم تزييق عالي الدرجة لجعل الجهاز يعمل لعمر أطول تحت ظروف التشغيل الطبيعية. ومن ثم، لا تكون هناك حاجة لتشحيم كراسي التحميل (البلي) بعد ذلك.

استبدال قضيب المكشطة

الأدوات المطلوبة (غير مرفقة):

- مفتاح بلدي (مفتوح الطرف) 8 مم
- مفك توركس T20
- 1. قضيب المكشطة موجود في الجزء السفلي من أرضية منافخ الثلج، أسفل البريمة (الشكل F1).

F1-1	قضيب المكشطة
------	--------------

- 2. اقلب منافخ الثلج على جانبه (الشكل F2).
- 3. احرص على ارتداء قفازات. قم بإزالة 5 مجموعات من الصواميل والوردات الزنبركية والبراغي من الخارج، وقم بإزالة مسماري توركس (xrot) من الداخل. افصل قضيب المكشطة المتهالك (الشكل F2).

F2-1	الصامولة الخارجية (5x)	F2-2	مسمار توركس (2x)
------	------------------------	------	------------------

- 4. قم بتوصيل قضيب المكشطة الجديد وأدخل مسماري توركس (الشكل 3F).

F3-1	الفتحة الداخلية (2x)	F3-2	قضيب المكشطة (السطح اللامع متجه للداخل)
F3-3	مسمار توركس (2x)		

- 5. أدخل 5 مسامير واربطها بوردرات زنبركية وصواميل (الشكلان F4 و F5).

F5-1	صامولة	F5-2	وردة زنبركية
F5-3	أرضية الآلة	F5-4	قضيب المكشطة

تواصل مع مركز صيانة شركة EGO لإصلاح العيب.	حدث خطأ في الاتصال.	يومض بالتبادل بين الأحمر والأخضر
أوقف منفاح الثلج واترك مجموعة البطارية تبرد.	إذا كان مؤشر LED الموجود بإحدى مجموعتي البطارية أو كليهما يومض باللون البرتقالي أو يضيء باللون الأحمر، فهذا يعني أن مجموعة (مجموعات) البطارية ساخنة بشكل مفرط.	لا توجد إشارة
تواصل مع مركز صيانة شركة EGO لإصلاح العيب.	الأخطاء الأخرى: المفتح، أو الضوء، أو ما شابه.	

الحماية ضد الحمل الزائد على منفاح الثلج

لمنع حالات الحمل الزائد، لا تحاول إزالة الكثير من الثلج في وقت واحد. قم بإبطاء وتيرتك أو تقليل عرض رقعة إزالة الثلج.

منفاح الثلج مجهز بمفاتيح داخلية لاستشعار الحمل الزائد. عند وجود حمل زائد على منفاح الثلج، سيقفل المحرك من سرعته تلقائيًا وستسمع مستوى ضوضاء المحرك وهو ينخفض. في حالة حدوث حمل زائد، أبطى وتيرتك أو قلل عرض منطقة الإزالة، وبعدها ستستمر سرعة المحرك وفقًا لضبطها العادي تلقائيًا. إذا لم يكن هذا الإجراء كافيًا لحل مشكلة الحمل الزائد، سيقوم المستشعر بإطفاء المحرك تلقائيًا وسيومض مؤشر الطاقة باللون البرتقالي. اخلع مجموعة (مجموعات) البطارية من منفاح الثلج. تحقق مما إذا كان هناك ثلج أو جليد عالق في البريمة أو أرضية الآلة، واستخدم أداة تنظيف لإزالته بحسب الضرورة. أعد تركيب مجموعة (مجموعات) البطارية، ثم أعد تشغيل منفاح الثلج.

الحماية ضد الارتفاع الزائد في درجة حرارة البطارية

إذا تحطمت درجة حرارة البطارية 70 درجة مئوية أثناء التشغيل، ستقوم دائرة الحماية ضد ارتفاع درجة الحرارة بفصل منفاح الثلج على الفور لحماية مجموعات البطارية من التلف بفعل الحرارة الزائدة. سيتم إيقاف تشغيل مؤشر الطاقة الموجود بمنفاح الثلج وسيومض مؤشر LED الموجود بمجموعة البطارية باللون البرتقالي أو يضيء باللون الأحمر. يرجى مراجعة قسم "حماية البطارية" في دليل تشغيل البطارية للتعرف على مزيد من المعلومات حول مؤشر LED الموجود بمجموعة البطارية.

حرر مفتاح المقبض وانتظر إلى أن تبرد مجموعة (مجموعات) البطارية الساخنة ويتحول مؤشر LED الخاص بالبطارية إلى اللون الأخضر، ثم أعد تشغيل منفاح الثلج.

لمنع إيقاف التشغيل بسبب وظيفة الحماية ضد الارتفاع الزائد في درجة حرارة البطارية، لا تحاول استخدام بطارية واحدة لتشغيل منفاح الثلج عندما يتجاوز عمق الثلج المتراكم 76 سم أو عندما يكون الثلج رطبًا أو جليديًا جدًا. نوصي باستخدام بطاريتين تعملان معًا في وقت واحد. فهذا مفيد في الوصول إلى ذروة طاقة عمل منفاح الثلج.

تنظيف الأتيوب المسدود

1. أوقف تشغيل المحرك والبريمة.
2. اخلع مجموعة (مجموعات) البطارية من منفاح الثلج.
3. انتظر إلى أن تتوقف البريمة عن الدوران.
4. استخدم دائمًا أداة تنظيف، مثل قضيب خشبي أو أدوات التنظيف الأخرى المتاحة في الأسواق؛ ولا تستخدم يدك.

مؤشر الطاقة الموجود بمنفاح الثلج

لن يضيء مؤشر الطاقة إلا عند بدء تشغيل منفاح الثلج.

مقاطعا رشوم	ونعملا	ءارجلا
يومض باللون الأخضر	اضغط لأسفل على زر الأمان، فيتم توصيل منفاح الثلج بالطاقة ويصبح جاهزًا للعمل. يجب أن تحتوي كل مجموعة بطارية مثبتة في المنتج على 15% على الأقل من شحنها.	غير متاح
أخضر لامع	منفاح الثلج يعمل بشكل ملائم؛ وكل بطارية بها شحن لا يقل عن 15%.	غير متاح
يومض باللون الأحمر	مستوى شحن مجموعة (مجموعات) البطارية منخفض. لا يتم تشغيل البريمة، ولكن يمكن تشغيل الكشافات الأمامية LED لفترة قصيرة.	أوقف منفاح الثلج واشحن مجموعة (مجموعات) البطارية.
برتقالي لامع	هناك حرارة زائدة في منفاح الثلج.	أوقف منفاح الثلج وانتظر بعض الوقت لتبريد الآلة.
برتقالي وامض	هناك حمل زائد على منفاح الثلج.	اخلع مجموعة (مجموعات) البطارية. تحقق من تكديس أي ثلج تحت البريمة أو عليها، وإزالته كما ينبغي. قم بإبطاء وتيرتك أو تقليل عرض رقعة إزالة الثلج أثناء العمل.

ملاحظة: قد لا يمكن بدء تشغيل منفاخ الثلج كما ينبغي إذا كانت درجة حرارة بطاريته -20 درجة مئوية أو أقل. إذا لم يتم بدء تشغيل الوحدة، اخلع البطارية من المنفاخ وتركيها تبرد داخل المنزل لمدة 10 دقائق أو أكثر. أعد تركيب البطارية، ثم أعد المحاوله.

إيقاف منفاخ الثلج

1. حرر مفتاح المقبض بالكامل (الشكل E4).

E4-1	زر الأمان (تم تحريره بالكامل)	E4-2	مفتاح المقبض (تم تحريره بالكامل)
------	-------------------------------	------	----------------------------------

2. ستقوم الفرملة الكهربائية الموجودة في آلية الفرملة الأوتوماتيكية بإيقاف البريمة عن الدوران بعد تحرير مفتاح المقبض.

نظام السرعات المتغيرة للبريمة (الشكل E5)

1. لزيادة سرعة البريمة، حرك بكرة ضبط سرعة البريمة بعيدًا عن مشغل الآلة.
2. لخفض السرعة، حرك بكرة ضبط سرعة البريمة ناحية مشغل الآلة.

الكشافات الأمامية LED (الشكل E6)

1. لتشغيل الكشافات الأمامية، اضغط على مفتاح كشافات LED. تقدم الكشافات الأمامية ضوءًا ساطعًا أمام منفاخ الثلج.
2. لإيقاف تشغيل الكشافات الأمامية، اضغط على مفتاح كشافات LED مرة أخرى.

ملاحظة: سيتم إيقاف تشغيل الكشافات الأمامية LED تلقائيًا عندما يكون منفاخ الثلج غير نشط لمدة 5 دقائق للحفاظ على شحن البطارية.

ضبط الأنبوب

يمكن ضبط اتجاه إزالة الثلج حتى 180 درجة (الشكل E7).

E7-1	مقبض أنبوب التوجيه الدوار	E7-2	الأنبوب
------	---------------------------	------	---------

1. ادفع مقبض أنبوب التوجيه الدوار للأمام لتدوير الأنبوب إلى اليسار.
 2. اسحب مقبض أنبوب التوجيه الدوار للخلف لتدوير الأنبوب ناحية إلى اليمين.
- يتم تحديد مسافة رمي منفاخ الثلج جزئيًا من خلال زاوية ميل أنبوب التوجيه المثني (الشكل E8).

E8-1	الزناد	E8-2	أنبوب التوجيه المثني
------	--------	------	----------------------

1. لزيادة مسافة رمي الثلج، اضغط على الزناد الموجود بمقبض أنبوب التوجيه المثني، ثم ارفع مقبض أنبوب التوجيه المثني لأعلى. حرر الزناد الموجود بمقبض أنبوب التوجيه المثني لتثبيت أنبوب التوجيه المثني في مكانه.
2. لتقليل مسافة رمي الثلج، ما عليك سوى خفض أنبوب التوجيه المثني باستخدام مقبض أنبوب التوجيه المثني.

C2-1	تجريف الأنبوب	C2-2	الفتحة في قاعدة الأنبوب
------	---------------	------	-------------------------

3. استخدم مفتاح الربط السداسي (الأنكيه) المرفق لتثبيت الأنبوب في مكانه باستخدام مجموعتي البراغي والوردات (الشكل C3).

التشغيل

تركيب/اخلع مجموعة البطارية

لا تستخدم الآلة إلا مع مجموعات بطارية وشواحن EGO المدرجة في الشكل A4.

راجع دلائل تشغيل البطاريات والشواحن ذات الصلة للتعرف على مزيد من التفاصيل.

اشحن البطارية بالكامل قبل الاستخدام لأول مرة.

1. ارفع غطاء حجرة البطارية عن طريق رفع الجزء الأمامي من الغطاء (الشكل D1).
2. للتركيب، قم بمحاذاة دعائم البطارية مع فتحات التركيب، واضغط على مجموعة البطارية لأسفل إلى أن تسمع صوت "نقرة". قم بتركيب البطارية الأخرى. (الشكل D2).
3. للخلع، اضغط لأسفل على زر تحرير البطارية، واسحب مجموعة البطارية للخارج (الشكل D3).

D3-1	زر تحرير البطارية
------	-------------------

4. أغلق غطاء حجرة البطارية.

بدء تشغيل/إيقاف منفاخ الثلج

ملاحظة: لا تقم بإطفاء منفاخ الثلج وتشغيله بسرعة.

بدء تشغيل منفاخ الثلج

1. قم بتركيب مجموعة (مجموعات) البطارية في منفاخ الثلج، وأغلق غطاء البطارية.
2. يمكنك تشغيل منفاخ الثلج عن طريق الضغط على زر الأمان.
3. أثناء الضغط لأسفل على زر الأمان، اسحب مفتاح المقبض لأعلى إلى أن يلتقي مع المقبض الأساسي (الشكل E1).

E1-1	زر الأمان	E1-2	مفتاح المقبض
------	-----------	------	--------------

4. بمجرد بدء تشغيل البريمة، حرر زر الأمان وابدأ التشغيل (الشكل E2).

5. للتقدم إلى الأمام، ارفع المقبض الأساسي للسماح لمجموعة البريمة بالاتصال بالأرض (الشكل E3). ستساعد قوة جر البريمة في تحريك منفاخ الثلج للأمام.

E3-1	وضع التشغيل العادي	E3-2	وضع الدفع بالبريمة
E3-3	مجموعة البريمة تلامس الأرض		

المواصفات

1. المقبض الأساسي
2. مفتاح المقبض (ذراع التشغيل)
3. مؤشر الطاقة
4. مقبض الرفع
5. رافعة التحرير السريع
6. غطاء حبيرة البطارية
7. عجلة (2 x)
8. غطاء سير الإدارة
9. مجموعة البريمة
10. كشافات أمامية LED
11. أنبوب التوجيه المثني
12. مقبض أنبوب التوجيه المثني
13. مقبض أنبوب التوجيه الذوار
14. مفتاح ربط سداسي (الأنكيه)
15. بكرة ضبط سرعة البريمة
16. مفتاح كشافات LED
17. زر الأمان
18. زر تحرير البطارية
19. بكرة النقل
20. مزلاج
21. آلية الإخراج
22. الوصلات الكهربائية

الجهد الكهربائي	تألفو 56
عرض منطقة الإزالة	520 مم
ارتفاع المدخل	330 مم
مسافة القذف	حتى 14 م
حجم العجلة	178 مم
درجة حرارة التشغيل الموصى بها	درجة مئوية 10 - 20-
درجة حرارة التخزين	درجة مئوية 70 - 20-
الوزن (بدون وحدة البطارية)	27 كجم
مستوى قوة الصوت المُقدَّر	(أ) لبيسيد 95 (ب) لبيسيد 1.8 K
مستوى ضغط الصوت عند أذن مُشغل الآلة	(أ) لبيسيد 80 (ب) لبيسيد 4 K
مستوى قوة الصوت المضمون (تم قياسه وفقاً للمعيار 2000/14/EC)	98 ديسيبل (A)
القيمة المقدرة للاهتزاز a_{hv} :	المقبض الأيسر
	المقبض الأيمن

- القيمة الكلية للاهتزاز الموضحة تم قياسها وفقاً لطريقة اختبار قياسية وقد تستخدم لمقارنة بأخرى؛
- كما يمكن استخدام القيمة الكلية للاهتزاز الموضحة في التقييم التمهيدي للتعرض.

قائمة المحتويات (الشكل A1)

التجميع

فك طي القضبان الجانبية

1. يتم شحن مفاح التلج مع القضبان الجانبية في الوضع المطوي المغفل (الشكل B1).
2. افتح رافعات التحرير السريع على كلا الجانبين، ثم قم بتدوير القضبان الجانبية برفق لأعلى إلى أن تتوقف (الشكلان B2 و B3).
3. أغلق رافعات التحرير السريع، ثم أحكم ربط بكرات النقل (الشكل B4).

بيوبن ألبا لثرت

1. استخدم مفتاح الربط السداسي (الأنكيه) المرفق لك وخلع مجموعتي البراغي والوردات في قاعدة الأنبوب (الشكل C1).

C-1	قاعدة الأنبوب
-----	---------------

2. قم بمحاذاة التجاويف الموجودة بالأنبوب مع الفحة الموجودة بقاعدة الأنبوب، ثم ادفع الأنبوب لتثبيتته في مكانه (الشكل C2).

الملحقات الموصى بها

⚠ تحذير: الأجزاء التالية عرضة للتآكل بسبب الاستخدام العادي. استخدم فقط قطع الغيار الأصلية المدرجة أثناءه. لأن استخدام قطع غيار لا تتوافق مع مواصفات المعدات الأصلية قد يؤدي إلى الأداء غير السليم والتأثير بالسلب على الأمان.

مُعطفا مسا	زارطلا مقر
مجموعة الريشة المطاطية والبريمة المطاطية	ARP2120
قضيب المكشطة	ASS2120

الوصف

تعرف على منفاخ الثلج (الشكل A1 - A3)

اقرأ جميع التعليمات!



رموز السلامة

قد يؤدي تشغيل أي آلة عاملة بالطاقة إلى دخول أي أشياء غريبة في عينيك، وهو ما قد يؤدي إلى إلحاق أضرار خطيرة بالعين. قبل بدء تشغيل الآلة العاملة بالطاقة، احرص دائمًا على ارتداء واقبات العينين أو نظارات حماية العينين ذات دروع جانبية، ودرع واقٍ لكامل الوجه عند اللزوم. نوصي بارتداء قناع السلامة واسع الرؤية لاستخدامه فوق نظارات العين أو نظارات السلامة العادية ذات الدروع الجانبية.

للحد من خطر الإصابة، يجب على المستخدم قراءة وفهم دليل التشغيل قبل استخدام هذا المنتج.



تنبيه سلامة



لا تستخدم اليدين لسد أنبوب التفريغ.



ارتد دائمًا نظارات الحماية المزودة بواقبات على الجانبين، وينبغي ارتداء واقٍ لكامل الوجه أثناء تشغيل هذا المنتج.



أبقِ القدمين واليدين بعيدًا عن نطاق عمل الآلة



تنبيه: لا تحملق في لمبة التشغيل.



مستوى قوة الصوت المضمون. انبعاثات الضوضاء في البيئة وفقًا لتوجيه الاتحاد الأوروبي.



احتفظ بقديمك بعيدًا عن الدافع الميكانيكي الدوار



هذا المنتج متوافق مع توجيهات شهادة الجودة الأوروبية (CE) المعمول بها.



لا يجب التخلص من الأجهزة الكهربائية المستهلكة في النفايات المنزلية. توجه بالجهاز إلى مركز إعادة تدوير معتمد.



هذا المنتج متوافق مع تشريعات المملكة المتحدة المعمول بها.



تيار مستمر



فولت V

درجة الحماية ضد دخول الماء IPX4

متر m

سنتيمترات cm

كيلوجرام kg

איתור וטיפול בבעיות

בעיה	סיבה	פתרון
מסילות הצד לא נשארות במקומן.	<ul style="list-style-type: none"> כפתורי הנעילה במסילות הצד ו/או ידיות השחרור המהיר אינן מאובטחות. 	<ul style="list-style-type: none"> וודאו שכפתורי הנעילה במסילות הצד מהודקים לחלוטין וידיות השחרור המהיר סגורות לחלוטין.
מפוח השלג אינו פועל.	<ul style="list-style-type: none"> קיבולת הסוללה נמוכה. המקדח תקוע בשלג או קרח. 	<ul style="list-style-type: none"> הטעינו את הסוללה. הסירו תחילה את מארז⁽¹⁾ הסוללה ולאחר מכן השתמשו בכלי לניקוי על מנת לנקות שלג או קרח החוסם את המקדח. התקינו מחדש את ערכי(ו)ת הסוללות והפעילו שוב את מפוח השלג. הסירו את ערכי(ו)ת הסוללות שהתחממו יתר על המידה ממפוח השלג והמתן עד שהסוללות יתקררו לכ-67 מעלות צלזיוס. התקינו מחדש את ערכי(ו)ת הסוללות והפעילו שוב את מפוח השלג. בוצעו שלבים שגויים כדי להפעיל את מפוח השלג.
מפוח השלג אינו פועל אך המקדח איננו מסתובב.	<ul style="list-style-type: none"> תקלה לא מזהה 	<ul style="list-style-type: none"> צרו קשר עם מרכז השירות של EGO לצורך תיקון.
המנוע פועל אך המקדח איננו מסתובב.	<ul style="list-style-type: none"> חגורת ההנעה שחוקה או שבורה. 	<ul style="list-style-type: none"> צרו קשר עם מרכז השירות של EGO לצורך תיקון.
לאחר המעבר, מפוח השלג משאיר שכבת שלג על הקרקע.	<ul style="list-style-type: none"> הסרגל המגרד שחוק. 	<ul style="list-style-type: none"> החליפו את המגרד בהתאם לסעיף "החלפת הסרגל המגרד" במדריך זה.
מפוח השלג זורק פחות שלג.	<ul style="list-style-type: none"> כפות הגומי בלויות. יתכן שמהירות המקדח נמוכה מדי. 	<ul style="list-style-type: none"> החליפו את דושות הגומי בהתאם לסעיף "החלפת דושות הגומי" במדריך זה. הגברו את מהירות המקדח
המקדח לא מצליח להשיג אחיזה ונדרש מאמץ נוסף כדי לדחוף את מפוח השלג קדימה.	<ul style="list-style-type: none"> מקדחי הגומי שחוקים. 	<ul style="list-style-type: none"> החליפו את מקדחי הגומי בהתאם לסעיף "החלפת מקדחי הגומי" במדריך זה.

אחריות

מדיניות האחריות של EGO

בקרו באתר egopowerplus.com כדי לעיין בתנאים וההתניות המלאים של מדיניות האחריות של EGO.

HE

253

הגנה על הסביבה

WEEE (זריקה של ציוד חשמלי ואלקטרוני) - אין לזרוק ציוד חשמלי, מטעני סוללות וסוללות ביחד עם אשפה ביתית! קחו מוצרים אלו למרכז מחזור מוסמך וודאו שהם זמינים לאיסוף בנפרד. יש להחזיר כלים חשמליים אל מתקן מחזור המתאים לסביבה.



G3-3	2 סטים של ברגים ואומים עבור כל מקדחה (סה"כ 8 סטים)
------	--

םישרדנ סילכ:

- מפתח ברגים פתוח של 13 מ"מ (לא כלול)
- מפתח משושה של 5 מ"מ (מצורף)
- 1. חבשו כפפות. סובבו ידנית את מקדח הפלדה למיקום המתאים לפירוק קל של מקדח הגומי.
- 2. הסירו את כל הברגים והאומים כדי להוציא את מקדחי הגומי החוצה.
- 3. החליפו אותם במקדחי הגומי החדשים, והדקו אותם היטב.

אחסון מפוח השלג

■ הסירו את מארזי הסוללה ואחסנו במקום בטוח הרחק מהישג ידם של ילדים.

לפני האחסון, נגבו כל לחות, לכלוך או פסולת מתא הסוללה ומסביבו.

- נגבו את מפוח השלג באמצעות מטלית יבשה ונקייה.
- בדקו את כל האומים, הבריחים, הכפתורים, הברגים וכו' שיהיו הדוקים.
- בדקו חלקים נעים שלא יהיו ניזוקים, שבורים או יראו סימני בלאי. בצעו תיקונים לחלקים ניזוקים או חסרים.
- קפלו את מסילות הצד למצב אחסון.
- אחסנו את מפוח השלג במקום נקי, יבש וסגור הרחק מהישג ידם של ילדים.
- אל תאחסנו ליד חומרים גורמים לקורוזיה כגון חומרי דשן או גבישי מלח.

קיפול מסילות הצד

1. דחפו את ידית סיבוב האשד עד הסוף קדימה, כך שהאשד פונה אל השמאל, מה שיבטיח שלא תהיינה הפרעות בעת הקיפול. לחצו על ההדק על גבי ידית מסיט האשד כדי להטות אותו עד הסוף (איור H1).
2. פתחו את ידיות השחרור המהיר משני הצדדים כדי לקפל את מסילות הצד למצב אחסון (איור H2).

הרמה ונשיאה של מפוח השלג

1. הסירו את ערכי(ו)ת הסוללה.
2. קפלו את מסילות הצד כמתואר בפרק הקודם.
3. הרימו ושאו את היחידה על ידי אחיזה בידיית ההרמה ביד אחת ובאזור ההרמה, על גבי פתח השלג (ממש מתחת ללוגו EGO), ביד השנייה (איור I).

1- אזור הרמה	2- הרם ידית
---------------	--------------

■ מפתחות קצה פתוח של 8 מ"מ

■ מברג T20 Torx

1. הסרגל המגדד ממוקם בחלק התחתון של סיפון מפוח השלג, מתחת למקדח (איור F1).

F1-1	סרגל מגדד
------	-----------

2. סובבו את מפוח השלג על צידו (איור F2).

3. חבש כפפות. הסירו את 5 קבוצות האומים, דסקיות הקפיץ והברגים מבחוץ והסרו את 2 ברגי ה-Torx מבפנים. נתקו את הסרגל המגדד השחוק (איור F2).

F2-1	אום חיצוני (5x)	F2-2	בורג xroT (2x)
------	-----------------	------	----------------

4. חברו את הסרגל המגדד החדש והכניסו את 2 ברגי ה-Torx (איור F3).

F3-1	חור פנימי (2x)	F3-2	סרגל מגדד (המשטח המבריק פונה פנימה)
F3-3	בורג xroT (2x)		

5. הכניסו את 5 הברגים והדקו בעזרת דסקיות הקפיץ והאומים (איור F4 ו-F5).

F5-1	אום	F5-2	דסקית קפיץ
F5-3	משטח	F5-4	סרגל מגדד
F5-5	בריח		

החלפת דוושות הגומי ומקדחי הגומי

כדי להחליף את דוושות הגומי: (איור G1)

G1-1	משוטים מגומי	G1-2	סטים של ברגים ואומים על כל דוושה (סה"כ 4 סטים)
------	--------------	------	--

(סילולכ אל) משרדן סילכ:

■ מברג שטוח

■ מפתחות קצה פתוח של 10 מ"מ

1. חבש כפפות. סובבו ידנית את מקדח הפלדה למיקום המתאים לפירוק קל של דוושת הגומי.

2. הסירו את כל הברגים והאומים כדי להוציא את דוושות הגומי החוצה.

3. החליפו אותם בדוושות הגומי החדשות, והדקו אותם היטב.

כדי להחליף את מקדחי הגומי (איור G2)

G2-1	מקדח גומי (4x)	G2-2	סט אחד של בורג, דסקית ואום עבור כל מקדח (סה"כ 4 סטים)
------	----------------	------	---

איננו פותר את בעיית עומס היתר, החיישן יכבה את המנוע באופן אוטומטי ואינדיקטור המתח יבהב בצבע כתום. הסירו את מארז(י) הסוללה מהמפוח. בדקו אם יש שלג או קרח תקועים במקדחה ובסיפון והשתמשו בכלי ניקוי כדי לפנות אותם לפי הצורך. התקינו מחדש את ערכ(ו)ת הסוללות והפעילו שוב את מפוח השלג.

הגנה מפני טמפרטורה גבוהה של הסוללה

אם טמפרטורת הסוללה עולה מעל 70°C בעת הפעלה, מעגל הגנת הטמפרטורה יכבה מיד את מפוח השלג על מנת להגן על מארז הסוללה מפני נזקי חימום יתר. אינדיקטור המתח במפוח השלג יהיה כבוי ואינדיקטור על ערכת הסוללה יבהב בכתום או יהיה דלוק באדום. אנא עיננו בסעיף "הגנה על הסוללה" במדריך למפעיל הסוללה לקבלת מידע נוסף על אינדיקטור הלבד על גבי ערכת הסוללות.

שחררו את מתג הניתוק והמתינו עד שערכ(ו)ת הסוללות המחוממות יתר על המידה תתקררה והאור על גבי אינדיקטור הלבד של הסוללה יהפוך לירוק ולאחר מכן הפעילו מחדש את מפוח השלג.

כדי למנוע כביוי עקב הגנה מפני טמפרטורה גבוהה של הסוללה, אל תנסו להשתמש בסוללה יחידה כדי להפעיל את מפוח השלג כאשר עומק השלג המצטבר עולה על 76 מ"מ או כאשר השלג רטוב מאוד או קפוא. אנו ממליצים להשתמש בשתי סוללות הפועלות באותו הזמן. הדבר מועיל בהשגת שיא הכוח של מפוח השלג.

לאחר שהתרחשה הגנה מפני טמפרטורות גבוהות, האטו את הקצב וצמצמו את רוחב הרצועה לניקוי השלג כדי להפחית את העומס על הסוללה.

תחזוקה

⚠ אזהרה: הקפידו לכבות את היחידה ולהסיר את ערכ(ו)ת הסוללות לפני ביצוע משימת תחזוקה כלשהי במפוח השלג שלכם.

תחזוקה כללית

הימנעו משימוש בממסים כאשר אתם מנקים חלקי פלסטיק. רוב חלקי הפלסטיק עלולים להינזק מסוגים שונים של ממסים מסחריים ועל ידי השימוש בהם. השתמש במטליות נקיות על מנת להסיר לכלוך, אבק, שמן, חומר סיכה וכו'.

שימון המכונה

כל הקשרים של המוצר משומנים עם כמות של חומר סיכה ברמה גבוהה המספיקה עבור כל חיי היחידה תחת תנאי הפעלה נורמליים. לכן, אין צורך בשימון נוסף.

החליפו את הסרגל המגדד (סילולכ אל) משרדן סילכ:

הסירו את ערכו(ת) הסוללה. בדקו ונקו כל שלג שהצטבר מתחת למקדח או נתקע בו. האטו את הקצב שלכם או הקטינו את רוחב המשטח לניקוי השלג בזמן העבודה.	ישנו עומס יתר במפוח השלג.	אור כתום מהבהב
צרו קשר עם מרכז השירות של EGO לצורך תיקון.	תקלה בתקשורת.	מהבהב אדום וירוק לסירוגין
עצרו את מפוח השלג ואפשרו לערכת הסוללות להתקרר.	אם אינדיקטור הלבד באחת או בשתי ערכות הסוללות מהבהב בכתום או דלוק באדום, ערכו(ת) הסוללות התחממו יתר על המידה.	אין אינדיקציה
צרו קשר עם מרכז השירות של EGO לצורך תיקון.	תקלות נוספות: מתג, אור וכו'.	

הגנה על מפוח השלג מפני עומס יתר

על מנת למנוע תנאי עומס יתר, אל תנסו להסיר כמות גדולה של שלג בבת אחת. האטו את הקצב שלכם או הקטינו את רוחב המשטח לניקוי השלג.

מפוח השלג שלכם מצויד באלמנטים מובנים החשים מצב של עומס יתר. כאשר ישנו עומס יתר של מפוח השלג, המנוע יפחית באופן אוטומטי את מהירותו ואתם תשמעו את ההפחתה של רמת הרעש של המנוע. במקרה של עומס יתר, האטו את הקצב שלכם או הצרו את רוחב הפינני ולאחר מכן המנוע יחזור לפעולתו הנורמלית באופן אוטומטי. אם פתרון זה

מרחק ההשלכה של מפוח השלג נקבע בחלקו על ידי זווית השיפוע של מסיט האשד (איור E8).

E8-1	הדק	E8-2	מסיט אשד
------	-----	------	----------

1. כדי להגדיל את המרחק שאלינו נזרק השלג, לחצו על ההדק על גבי ידית מסיט האשד, ולאחר מכן הרימו את מסיט האשד. שחררו את ההדק על גבי ידית מסיט האשד כדי לנעול את מסיט האשד במקומו.
2. על מנת להפחית את המרחק אליו נזרק השלג, פשוט הנמיכו את המסיט באמצעות ידית מסיט האשד.

ניקוי של אשד בעל גושים

1. עצרו את פעולת המנוע והמקדח!
2. הסירו את מארז(י) הסוללה מהמפוח.
3. המתינו עד שהמקדח מפסיק להסתובב.
4. השתמשו תמיד בכלי ניקוי, כגון מוט עץ או כלי פינוי אחרים הזמינים באופן מסחרי; אין להשתמש תשתמש בדיים.

אינדיקטור המתח על גבי מפוח השלג

אינדיקטור הכוח יידלק רק כאשר מפוח השלג מופעל.

אינדיקטור מתח	משמעות	פעולה
אור ירוק מהבהב	לחצן הבטיחות לחוץ ומפוח השלג מופעל ומוכן לעבודה. קיבולת כל אחת מן הסוללות שהוכנסה היא לפחות 15%.	לא רלוונטי
אור ירוק	מפוח השלג עובד כראוי וקיבולת כל סוללה היא לפחות 15%.	לא רלוונטי
אור אדום מהבהב	רמת הטעינה של ערכו(ת) הסוללות נמוכה. המקדח לא מסתובב, אבל פנסי הלבד הקדמיים יכולים להיות דולקים לזמן קצר.	כבו את מפוח השלג והטעינו את מארז(י) הסוללה
אור כתום	מפוח השלג מחומם יתר על המידה.	עצרו את מפוח השלג והמתינו זמן מה כדי לקרר את המכונה.

- לאחר שהמקדח מופעל, שחררו את כפתור הבטיחות והתחילו את הפעולה (איור E2).
- כדי להתקדם קדימה**, הרימו את הידית הראשית כדי לאפשר להרכבת המקדחה ליצור קשר עם הקרקע (איור E3). כוח הגרירה של המקדח יסייע בהזזת מפוח השלג קדימה.

E3-1	עמדת הפעלה רגילה	E3-2	עמדת הדחף של המקדח
E3-3	הרכבת המקדח יוצרת קשר עם הקרקע		

הודעה: לא ניתן יהיה להפעיל את מפוח השלג כהלכה אם טמפרטורת הסוללה שלו נמוכה מ-20°C. אם לא ניתן להפעיל את היחידה, הסירו את הסוללה ממפוח השלג והניחו אותה בתוך חלל פנימי על מנת שתתחמם ל-01 דקות או יותר. התקינו מחדש את הסוללה ונסו שנית.

על מנת לכבות את מפוח השלג

- שחררו לגמרי את מתג הניתוק (איור E4).

E4-1	כפתור בטיחות (משוחרר לחלוטין)	E4-2	מתג ניתוק (משוחרר לגמרי)
------	-------------------------------	------	--------------------------

- המעצור החשמלי במנגנון העצירה האוטומטית יעצור את סיבוב המקדח לאחר שחרור מתג הניתוק.

מערכת קצב משתנה (איור E5)

- כדי להגביר את מהירות המקדח, הרחיקו את החוגה המהירה של המקדח מהמפעיל.
- כדי להפחית את המהירות, הזיזו את החוגה המהירה של המקדח לכיוון המפעיל.

פנסי LED (איור E6)

- כדי להדליק את הפנסים, לחצו על מתג פנסי הLED הקדמיים. הפנסים יספקו אור בהיר בחלק הקדמי של מקדח השלג.
- כדי לכבות את הפנסים, לחצו שוב על מתג פנסי הLED הקדמיים.

הערה: פנסי הLED הקדמיים יכבו אוטומטית כאשר מפוח השלג אינו פעיל למשך 5 דקות כדי לשמר את טעינת הסוללה.

כוונון האשד

ניתן לכוונון את כיוון הסרת השלג עד 180° (איור E7).

E7-1	ידית סיבוב מצנח	E7-2	אשד
------	-----------------	------	-----

- דחפו את ידית סיבוב האשד קדימה כדי לסיבב את האשד שמאלה.
- משכו את ידית סיבוב האשד לאחור כדי לסיבב את האשד ימינה.

התקנת המצנח

- השתמשו במפתח המשושה המצורף כדי לשחרר ולהסיר את שתי קבוצות הברגים והדסקיות בבסיס האשד (איור C1).

C1-1	בסיס אשד
------	----------

- יישרו את החריצים של האשד עם החריץ בבסיס האשד, ולאחר מכן דחפו את האשד למקומו (איור C2).

C2-1	חריץ האשד	C2-2	חריץ על בסיס האשד
------	-----------	------	-------------------

- השתמשו במפתח המשושה המצורף כדי לנעול את האשד למקומו באמצעות את שתי קבוצות הברגים והדסקיות (איור C3).

הפעלה

הצמדה/הסרה של מארז הסוללה

יש להשתמש רק במארזי הסוללה והמטענים של OGE המפורטים באיור A4.

עיינו במדריכי הסוללות והמטענים התואמים לפרטים נוספים.

יש לבצע הטענה מלאה לפני השימוש הראשון.

- הרימו את מכסה תא הסוללות על ידי הרמת החלק הקדמי של המכסה (איור D1).
- להצמדה**, יישרו את עורקי הסוללה עם חריצי ההרכבה ולחצו את מארז הסוללה כלפי מטה עד הישמע "קליק". חברו את הסוללה השנייה. (איור D2)
- לניתוק**, לחצו על כפתור שחרור הסוללה והוציאו את מארז הסוללה (איור D3).

D3-1	כפתור שחרור סוללה
------	-------------------

- סגרו את מכסה תא הסוללות.

הפעלה/כיבוי של מפוח השלג

הודעה: אל תפעילו ותכבו את מפוח השלג במהירות.

על מנת להפעיל את מפוח השלג

- חברו את ערכו(ת) הסוללות למפוח השלג וסגרו את מכסה הסוללה.
- הפעילו את מפוח השלג על ידי לחיצה על כפתור הבטיחות.
- עם כפתור הבטיחות לחוץ, משכו את מתג הניתוק כלפי מעלה על מנת לגעת בידית המרכזית (איור E1).

E1-1	כפתור בטיחות	E2-2	מתג ניתוק
------	--------------	------	-----------

מספר דגם	שם חלק
ARP2120	סט מקדח גומי ודוושת גומי
ASS2120	סרגל מגרד

מפרטים

מתח	56 V	
רוחב פינוי	520 מ"מ	
גובה פתח	330 מ"מ	
מרחק זריקה	עד 14 מ'	
גודל גלגל	178 מ"מ	
טמפרטורת הפעלה מומלצת	10°C עד -20°C	
טמפרטורת אחסון	70°C עד -20°C	
משקל (ללא מארז סוללה)	27 ק"ג	
רמת עוצמת קול נמדדת L_{WA}	96 dB(A) K=1.8 dB(A)	
רמת לחץ קול באוזן המפעיל L_{PA}	80 dB(A) K=4 dB(A)	
רמת עוצמת קול מובטחת L_{WA} (נמדד בהתאם ל-2000/14/EC)	98 dB(A)	
הערכת רטט a_n	ידיית שמאלית	1.3 מ' / שנייה ² 1.5=K מ' / שנייה ²
	ידיית ימנית	1.3 מ' / שנייה ² 1.5=K מ' / שנייה ²

תיאור

הכירו את המפוח שלכם (איור A1 עד A3)

- ידיית ראשית
- מתג דלי (דוושת מתג)
- אינדיקטור מתח
- ידיית הרמה
- מנוף לשחרור מהיר
- מכסה תא הסוללה
- גלגל (2x)
- כיסוי חגורת הנעה
- הרכבת מקדח
- פנסי לד קדמיים
- סטיית אשד
- ידיית סטיית האשד
- ידיית סיבוב האשד
- מפתח משושה
- חוגה מהירה של המקדח
- מתג פנסי לד קדמיים
- כפתור בטיחות
- כפתור שחרור סוללה
- כפתור נעילה
- בריח
- מנגנון פליטה
- מגע חשמלי

רשימת אריזה (איור A1) הרכבה

פירוק מסילות הצד

- מפוח השלג שלכם נשלח עם מסילות הצד במצב מקופל ונעול (איור B1).
- פתחו את ידיית השחרור המהיר משני הצדדים וסובבו בעדינות את מסילות הצד כלפי מעלה עד שתצורנה (איור B2 ו-B3).
- סגרו את ידיית השחרור המהיר ולאחר מכן הדקו את ידיית הנעילה (איור B4).

■ ערך הרטט הכללי המוצהר נמדד בהתאם עם שיטת בדיקה סטנדרטית ונענת להשתמש בו על מנת להשוות ציוד אחד עם ציוד אחר;

■ ניתן להשתמש בערך הרטט הכללי המוצהר בהערכה ראשונית של חשיפה.

הודעה: פליטת הרטט בעת השימוש המעשי בכלי יכולה להיות שונה מן הערך המוצהר כאשר הכלי נמצא בשימוש; על מנת להגן על המפעיל, על המשתמש ללבוש כפפות ומגני אוזניים בעת השימוש למעשה.

אביזרים מומלצים

⚠ אזהרה: החלקים הבאים כפופים לתנאי בלאי כתוצאה משימוש רגיל. השתמשו רק בחלקי חילוף זהים המפורטים להלן. שימוש של חלקים אשר לא מתאימים למפרטים של הציוד המקורי עלולים להוביל לביצועים לא מתאימים ולפגוע בבטיחות הציוד.

אנא קראו את כל ההוראות!

קראו את מדריך ההוראות

מל בטיחות

הפעלה של כלי עבודה חשמליים עלולה לגרום לעצמים זרים להיזרק אל תוך העיניים, דבר העלול לגרום לנזק חמור לעיניים. לפני ההפעלה של כלי עבודה חשמלי, ענדו תמיד משקפי מגן או משקפי בטיחות עם הגנה צדדית, ובעת הצורך, הגנה עבור כל הפנים. אנו ממליצים על שימוש במסכת בטיחות רחבה מעל למשקפי המגן או על שימוש במשקפי בטיחות עם הגנה צדדית.

על מנת להפחית את הסיכון לפציעות, על המשתמש לקרוא ולהבין את המדריך למשתמש לפני השימוש במוצר זה.

התראת בטיחות

אין להשתמש בידיים כדי לפתוח את האשד.

חבשו תמיד משקפי מגן או משקפי בטיחות עם הגנה צדדית, ובעת הצורך, הגנה עבור כל הפנים, בעת הפעלת מוצר זה.

שימרו על הידיים והרגליים במרחק בטוח

זהירות: אין להביט ישירות על נורת ההפעלה.

רמת עוצמת קול מובטחת. פליטת רעש אל הסביבה בהתאם לתקנת האיחוד האירופי.

הרחיקו את הרגליים מן המדחף המסתובב

מוצר זה תואם לתקנות ה-EC הרלוונטיות.

אין לזרוק מוצרים חשמליים עם האשפה הביתית. יש להביא את המכשיר למרכז מחזור מוסמך.

מוצר זה תואם לחוקים הרלוונטיים בבריטניה.

זרמים ישירים

V וולט

IPX4 דרגת הגנה מפני חדירת מים

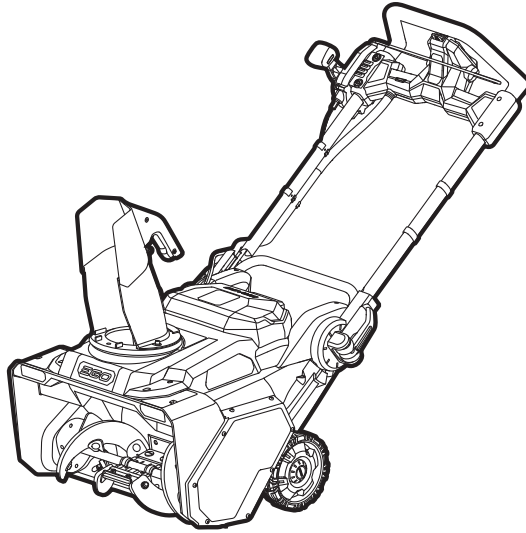
מטר מטר

ס"מ סנטימטרים

ק"ג קילוגרם

EGO™

POWER⁺ SNOW BLOWER



SNT2120E-AP

HE מפוח שלג אלחוטי עם סוללת ליתיום-יון 56 וולט

AR منفاخ ثلج لاسلكي ببطارية ليثيوم-أيون 56 فولت

