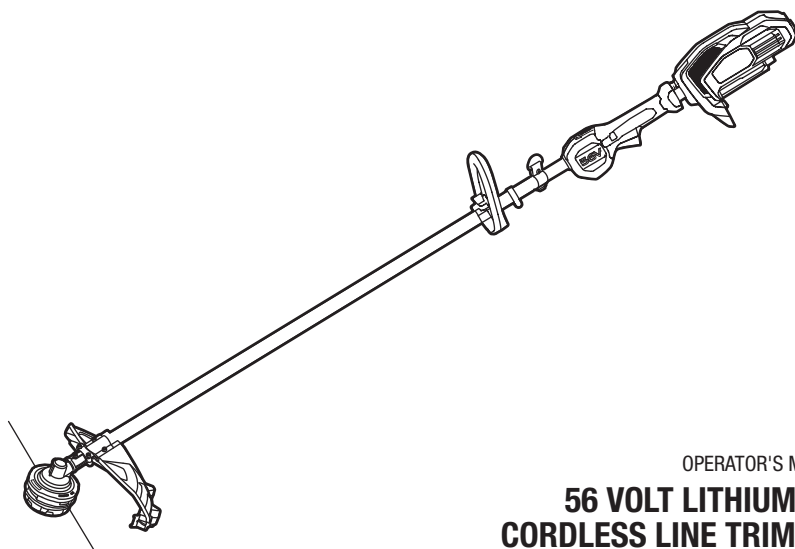


# EGO™

## POWER<sup>+</sup> LINE TRIMMER

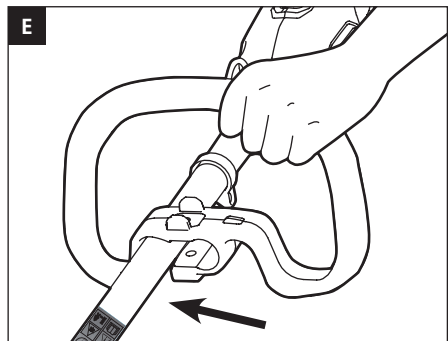
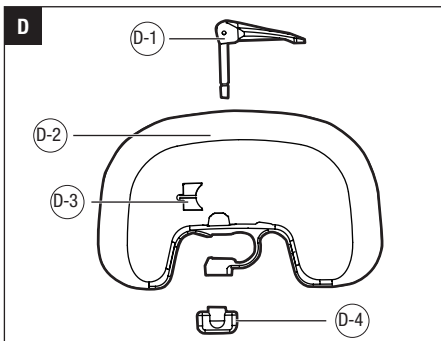
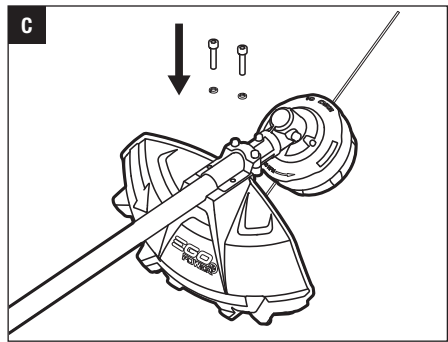
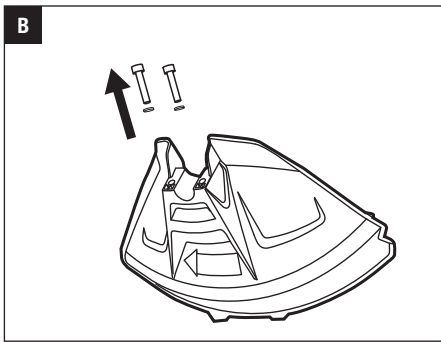
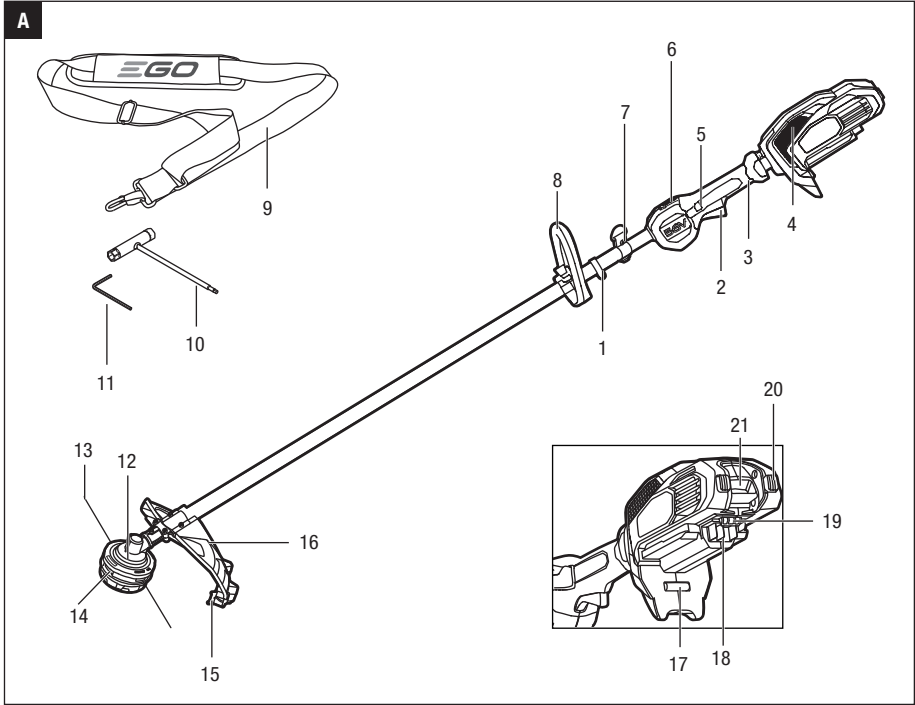


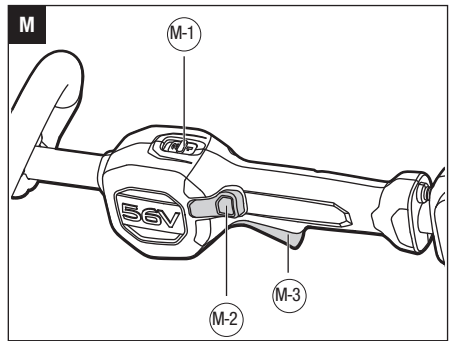
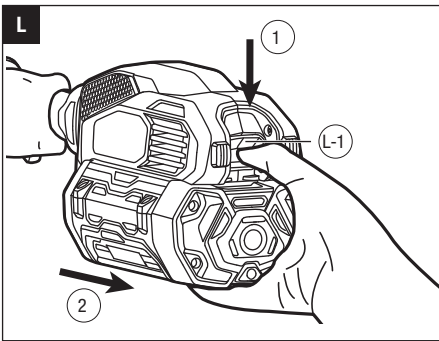
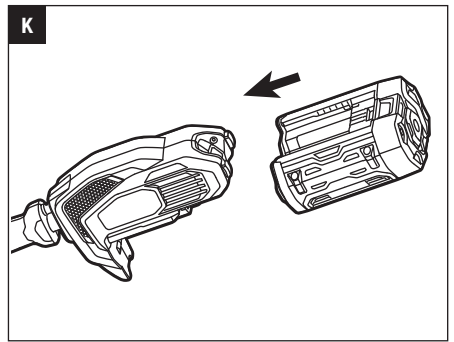
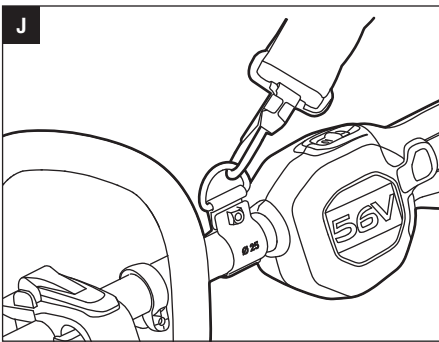
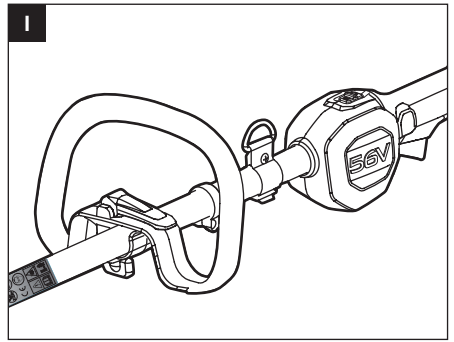
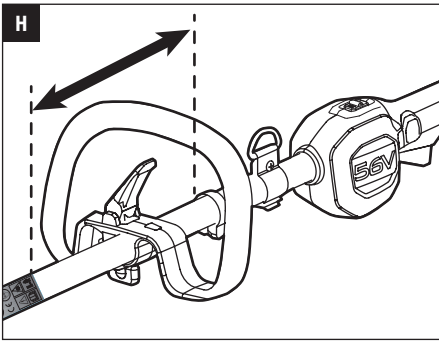
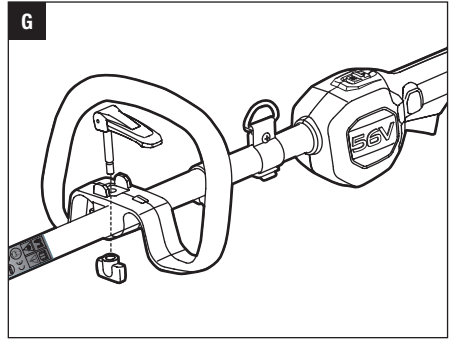
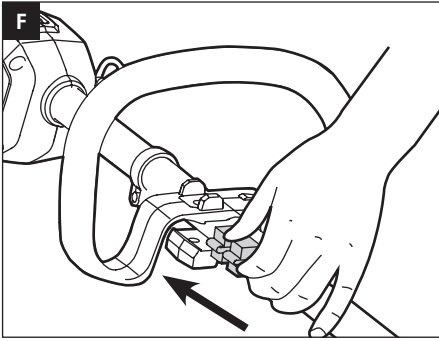
OPERATOR'S MANUAL

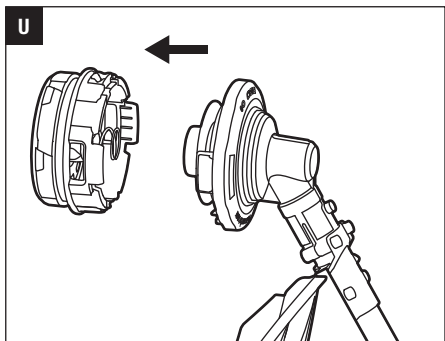
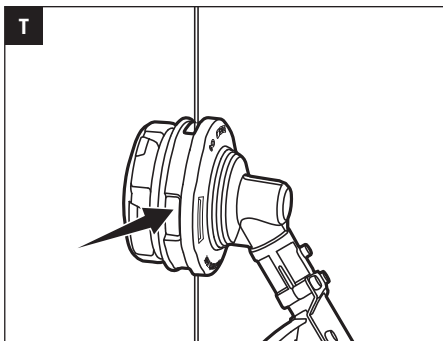
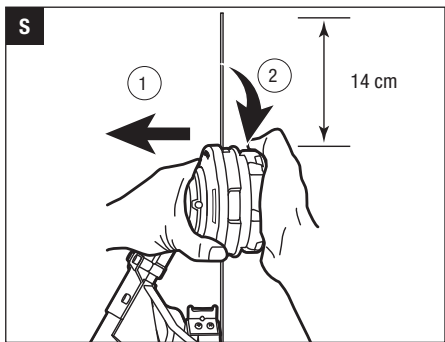
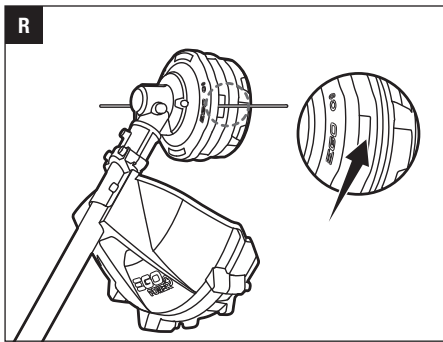
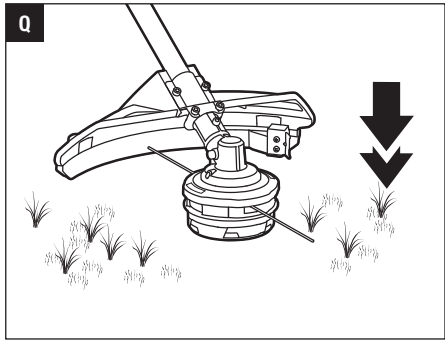
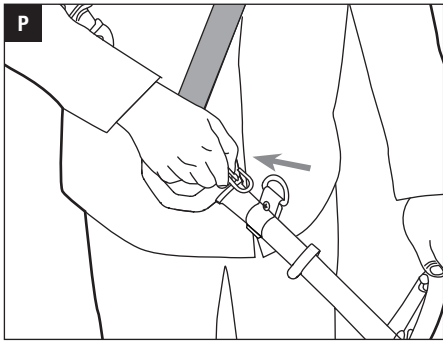
### 56 VOLT LITHIUM-ION CORDLESS LINE TRIMMER

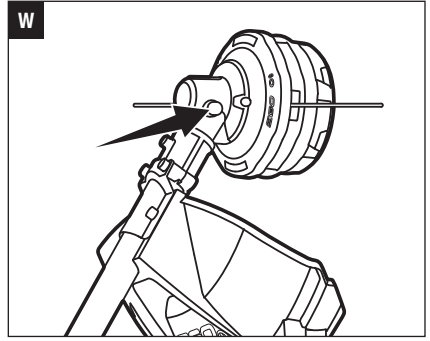
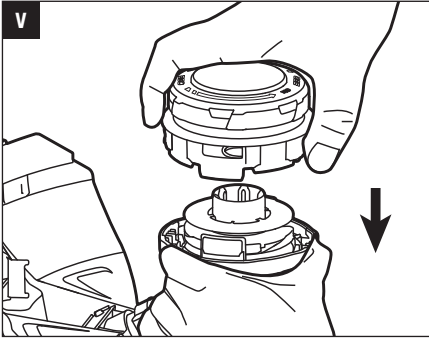
MODEL NUMBER ST1530E

EN	56 volt lithium-ion cordless line trimmer	6	HU	56 voltos vezeték nélküli lítium-ion motoros lánccűrész	164
DE	Kabelloser Rasentrimmer mit 56 Volt Lithium-Ionen-Akku	16	RO	Беспроводной триммер с леской и литий-ионным аккумулятором 56 В	174
FR	Taille-bordure sans fil lithium-ion 56v	27	SL	56-voltna lítij-ionska brezžična kosilnica z nitko	184
ES	Cortabordes inalámbrico con cabezal de hilo y acumulador de ion de litio de 56 voltios	38	LT	56 voltų ličio jonų belaidis pjūklas su siūlu	194
PT	Aparador de fio sem fios de ião e lítio de 56 volts	50	LV	56 voltu lítija jonu bezvadu trimeris ar aklu	204
IT	Decespugliatore a filo a batteria li-ion 56 volt	61	GR	Ασύρματο χλοοκοπτικό λιθίου - ιόντων 56 Volt, με μεσινέζα	214
NL	56 volt lithium-ion accu grastrimmer	72	TR	56 volt lityum-iyon kablosuz misinali çim biçme makinesi	225
DK	56 volt lithium-ion akku græstrimmer	83	ET	56-voldise lítiumioonakuga akutoitel jõhvtrimmer	235
SE	56 volt lithium-ion-batteri sladdlös grästrimmer	93	UK	56-вольтний літій-іонний акумуляторний лісковий тример	245
FI	56 voltin litium-ion akkukäyttöinen siimaleikkuri	103	BG	56 волта литиево-йонен безкабелен кордов тример	256
NO	56 volts ledningsfri kantklipper	113	HR	Bežični šišač sa žinjom od 56 volti	267
RU	Беспроводной триммер с леской и литий-ионным аккумулятором 56 В	123	KA	56 ვოლტიანი ლითიუმ-იონის აკუმულატორიანი უსადენო ელექტრო სათიბი	277
PL	Podkaszarka bezprzewodowa litowo-jonową 56 woltów	134			
CZ	56 voltová lithium-iontová akumulátorová strunová sekačka	144			
SK	56 v lítium-iónová bezdrôtová strunová kosačka	154			









## READ ALL INSTRUCTIONS!



### READ OPERATOR'S MANUAL

**⚠ Residual risk!** People with electronic devices, such as pacemakers, should consult their physician(s) before using this product. Operation of electrical equipment in close proximity to a heart pacemaker could cause interference or failure of the pacemaker.

**⚠ WARNING:** To ensure safety and reliability, all repairs and replacements should be performed by a qualified service technician.

## SAFETY SYMBOLS

The purpose of safety symbols is to attract your attention to possible dangers. The safety symbols and the explanations with them deserve your careful attention and understanding. The symbol warnings do not, by themselves, eliminate any danger. The instructions and warnings they give are no substitutes for proper accident prevention measures.

**⚠ WARNING:** Be sure to read and understand all safety instructions in this Operator's Manual, including all safety alert symbols such as "**DANGER**," "**WARNING**," and "**CAUTION**" before using this tool. Failure to follow all instructions listed below may result in electric shock, fire, and/or serious personal injury.

## SYMBOL MEANING

**SAFETY ALERT SYMBOL:** Indicates DANGER, WARNING, or CAUTION. May be used in conjunction with other symbols or pictographs.



**⚠ WARNING:** The operation of any power tools can result in foreign objects being thrown into your eyes, which can result in severe eye damage. Before beginning power tool operation, always wear safety goggles or safety glasses with side shields and a full face shield when needed. We recommend a Wide Vision Safety Mask for use over eyeglasses or standard safety glasses with side shields.

## SAFETY INSTRUCTIONS

This page depicts and describes safety symbols that may appear on this product. Read, understand, and follow all instructions on the machine before attempting to assemble and operate it.

	Safety Alert	Indicates a potential personal injury hazard.
	Read Operator's Manual	To reduce the risk of injury, user must read and understand operator's manual before using this product.
	Eye Protection	Always wear eye protection when operating this product.
	Wear Ear Protection	Always wear ear protection when operating this product.
	No Cutting Blade	Do not install metal or plastic cutting blades
	Keep Bystanders Away	Ensure that other people and pets remain at least 15m away from the line trimmer when it is in use.
	Keep Bystanders Away	Ensure that other people and pets remain at least 15m away from the line trimmer when it is in use.
	Noise	Sound pressure level
	Do Not Expose To Rain	Do not use in the rain or leave outdoors while it is raining.
V	Volt	Voltage
mm	Millimeter	Length or size
cm	Centimeter	Length or size
	Direct Current	Type or a characteristic of current
$n_0$	No Load Speed	Rotational speed, at no load
min <sup>-1</sup>	Per Minute	Revolutions per minute

## IMPORTANT SAFETY INSTRUCTIONS

**⚠ WARNING!** When using electric trimmers, basic safety precautions should always be followed to reduce the risk of fire, electric shock, and personal injury, including the following:

### READ ALL INSTRUCTIONS

**⚠ DANGER!** Do not rely on the tool's insulation against electric shock. To reduce the risk of electrocution, never operate the tool in the vicinity of any wires or cables which may carry electric current.

**⚠ CAUTION!** Wear appropriate personal hearing protection during use. Under some conditions and durations of use, noise from this product may contribute to hearing loss.

### TRAINING

- Read the instructions carefully. Be familiar with the controls and the proper use of the machine.
- Never allow people unfamiliar with these instructions or children to use the machine. Local regulations can restrict the age of the operator.
- Keep in mind that the operator or user is responsible for accidents or hazards occurring to other people or their property.

### PREPARATION

- Never operate the machine while people, especially children, or pets are nearby.
- Wear eye protection and stout shoes at all times while operating the machine.
- The distance between the machine and bystanders shall be at least 15m.
- Do not use metal blades.

### OPERATION

- Use the machine only in daylight or good artificial light.
- Never operate the machine with damaged guards or shields or without guards or shields in place.
- Switch on the motor only when the hands and feet are away from the cutting means.
- Always disconnect the machine from the power supply (i.e. remove the plug from the mains or remove the disabling device).
  - whenever leaving the machine unattended;
  - before clearing a blockage;
  - before checking, cleaning or working on the machine;

- after striking a foreign object;
- Whenever the machine starts vibrating abnormally.
- Take care against injury to feet and hands from the cutting means.
- Always ensure that the ventilation openings are kept clear of debris.

### MAINTENANCE AND STORAGE

- Disconnect the machine from the power supply (i.e. remove the plug from the mains or remove the disabling device) before carrying out maintenance or cleaning work.
- Use only the manufacturer's recommended replacement parts and accessories.
- Inspect and maintain the machine regularly. Have the machine repaired only by an authorized repairer.
- When not in use, store the machine out of the reach of children.

### OTHER SAFETY WARNINGS

- Avoid Dangerous Environments – Don't use trimmers in damp or wet locations.
- Always turn the line trimmer off or remove the battery pack whenever leaving the trimmer unattended.
- Don't Use In Rain.
- Keep Children Away – All visitors should be kept at a distance from work area.
- Dress Properly – Do not wear loose clothing or jewelry. They can be caught in moving parts. Use of rubber gloves and substantial footwear is recommended when working outdoors. Wear protective hair covering to contain long hair.
- Use Safety Glasses – Always use safety glasses while operating the machine.
- Use the Right Tool – Do not use the tool for any job except that for which it is intended.
- Don't Force the Trimmer – It will do the job better and with less likelihood of a risk of injury at the rate for which it was designed.
- Don't Overreach – Keep proper footing and balance at all times.
- Stay Alert – Watch what you are doing. Use common sense. Do not operate the trimmer when you are tired.
- Do not operate the trimmer while under the influence of alcohol or drugs.
- Keep guards in place and in working order.
- Store Trimmer Indoors – When not in use the trimmer should be stored indoors in a dry and high or locked up place with the battery pack removed – out of reach of children.

- **Maintain Trimmer With Care** – Keep the cutting attachment clean for best performance and to reduce the risk of injury. Follow instructions for changing accessories. Keep handles dry, clean, and free from oil and grease.
- **Check Damaged Parts** – Before further use of the trimmer, a guard or other part that is damaged should be carefully checked to determine that it will operate properly and perform its intended function. Check for alignment of moving parts, binding of moving parts, breakage of parts, mounting, and any other condition that may affect its operation. A guard or other part that is damaged should be properly repaired or replaced by an authorised service center unless indicated elsewhere in this manual.
- **Clear the area to be cut before each use.** Remove all objects such as rocks, broken glass, nails, wire, or line that can be thrown or become entangled in the cutting attachment. Make sure that other persons and pets are at least 15m away.
- **Before using the machine and after any impact,** check for signs of wear or damage and repair as necessary.
- **Always hold the trimmer firmly,** with both hands on the handles while operating. Wrap your fingers and thumbs around the handles.
- **Avoid Accidentally Starting**—Don't carry the trimmer with your finger on the trigger.
- **Do not operate the trimmer in petrolic or explosive atmospheres.** Motors in these appliances normally spark, and the sparks might ignite fumes.
- **Damage to Trimmer** – If you strike a foreign object with the trimmer or it becomes entangled, stop the tool immediately, remove the battery pack from the line trimmer, check for damage and have any damage repaired before further operation is attempted. Do not operate with a broken guard or spool.
- **If the equipment should start to vibrate abnormally,** stop the motor, remove the battery pack from the line trimmer, and check immediately for the cause. Vibration is generally a warning of trouble. A loose head may vibrate, crack, break or come off the trimmer, which may result in serious or fatal injury. Make sure that the cutting attachment is properly fixed in position. If the head loosens after fixing it in position, replace it immediately. Never use a trimmer with a loose cutting attachment.
- **Replace a cracked, damaged or worn-out cutting head immediately,** even if damage is limited to superficial cracks. Such attachments may shatter at high speed and cause serious or fatal injury.
- **Check the cutting attachment at regular short intervals during operation,** or immediately if there is a noticeable change in cutting behavior.
- **Only use EGO™ authorised polymer trimmer line accessories and trimmer line that are designed for use with this machine.** Although certain unauthorized attachments might be fitted to the EGO™ line trimmer, their use may be extremely dangerous, and/or damaging to the tools.
- **To reduce the risk of serious injury,** never use wire or metal-reinforced line or other material in place of the nylon cutting lines. Pieces of wire could break off and be thrown at high speed toward the operator or bystanders.
- **To reduce the risk of injury from loss of control,** never work on a ladder or on any other insecure support. Never hold the cutting attachment above waist height.
- **If situations occur that are not covered in this manual,** use care and good judgment. Contact the EGO Service Center for assistance.
- **Do not charge the battery pack in rain,** or in wet locations.
- **Use only with EGO's battery packs and chargers.**

BATTERY PACK	CHARGER
BA1120E, BA1400, BA2240E BA2800, BA3360, BA4200, BA1400T, BA2800T, BA4200T	CH2100E, CH5500E

- **The battery pack must be removed from the appliance before it is scrapped.**
- **The battery shall be disposed of safely.**
- **Do not dispose of the battery in a fire.** The cells may explode. Check with local authorities for possible special disposal instructions.
- **Do not open or mutilate the battery.** Released electrolyte is corrosive and may cause damage to the eyes or skin. It may be toxic if swallowed.
- **Exercise care in handling batteries in order not to short the battery with conducting materials such as rings, bracelets, and keys.** The battery or conductor may overheat and cause burns.
- **When servicing, use only identical EGO™ replacement parts.** Use of any other accessory or attachment may increase the risk of injury.
- **Battery tools do not have to be plugged into an electrical outlet;** therefore, they are always in operating condition. Be aware of possible hazards even when the tool is not operating. Take care when performing maintenance or service.



- Do not wash with a hose; avoid getting water in motor and electrical connections.
- Save these instructions. Refer to them frequently and use them to instruct others who may use this tool. If you loan this tool to someone else, also loan these instructions to them to prevent misuse of the product and possible injury.
- Always wear substantial footwear and long trousers while operating the machine.
- Always be sure of the footing on slopes and to walk, never run.

**SAVE THESE INSTRUCTIONS!**
**SPECIFICATIONS**

Voltage	56 V $\overline{\text{---}}$
No-load speed	5000/6000 min <sup>-1</sup>
Cutting Mechanism	Bump Head
Cutting Line Type	2.4mm nylon twist line
Cutting Width	38 cm
Weight (Without battery pack)	4.21Kg
Measured sound power level $L_{WA}$	94.3 dB(A) K=1.37 dB(A)
Sound pressure level at operator's ear $L_{PA}$	82.6 dB(A) K= 3 dB(A)
Guaranteed sound power level $L_{WA}$ (according to 2000/14/EC)	96 dB(A)
Vibration $a_h$	Front-assist Handle 3.97 m/s <sup>2</sup> K=1.5 m/s <sup>2</sup>
	Rear Handle 2.78 m/s <sup>2</sup> K=1.5 m/s <sup>2</sup>

**PACKING LIST**

PART NAME	QUANTITY
Line trimmer	1
Guard	1
Front-assist handle assembly	1
Hex wrench	1
Multi-function wrench	1
Shoulder strap	1
Operator's manual	1

**DESCRIPTION**
**KNOW YOUR LINE TRIMMER (Fig. A)**

1. Threshold Ring
2. Trigger
3. Rear Handle
4. Air Inlet
5. Lock-Off Button
6. High/Low-Speed Switch
7. Shoulder-Strap Mount Hanger
8. Adjustable Front-Assist Handle
9. Shoulder Strap
10. Multi-Function Wrench
11. Hex Wrench
12. Trimmer Head (Bump Head)
13. Cutting Line
14. Release Tab
15. Line-Cutting Blade
16. Guard
17. Ejection Mechanism
18. Electric Contacts
19. Latch
20. Rubber Pad Protection
21. Battery-Release Button

**ASSEMBLY**

**⚠ WARNING:** If any parts are damaged or missing, do not operate this product until the parts are replaced. Use of this product with damaged or missing parts could result in serious personal injury.

**⚠ WARNING:** Do not attempt to modify this product or create accessories not recommended for use with this Line trimmer. Any such alteration or modification is misuse and could result in a hazardous condition leading to possibly serious personal injury.

**⚠ WARNING:** To prevent accidental starting that could cause serious personal injury, always remove the battery pack from the tool when assembling parts.

**MOUNTING THE GUARD**

**⚠ WARNING:** Always wear gloves when mounting or replacing the guard. Take care of the blade on the guard and protect your hand from cutting.

**⚠ WARNING:** Never operate the tool without the guard firmly in place. The guard must always be on the tool to protect the user! When the guard is fixed, never attempt to remove or adjust the guard, if a replacement is needed, it should be performed by a qualified service technician!

1. Loosen and remove the two screws from the guard (Fig. B).
2. Align the guard mounting holes with the assembly holes and then lock the guard onto the shaft base with the two screws, together with two spring washers (Fig. C).

**NOTICE:** Make sure the guard is fixed according to Fig. B & C, any reverse fixing will cause great danger!

### MOUNTING AND ADJUSTING THE FRONT-ASSIST HANDLE

1. Loosen the locking pole in the front-assist handle and remove the locking pole and wing nut from the front-assist handle (Fig.D).

Fig. D parts description see below:

D-1	locking pole	D-3	Clamping Block
D-2	Front-Assist Handle	D-4	Wing Nut

2. Push the front-assist handle onto the shaft (Fig. E).
3. Insert the clamping block into the handle slot (Fig. F).
4. Mount the locking pole, and pre-tighten them with the wing nut. Make sure that the front-assist handle is upwards and points toward the top of the rear handle (Fig. G).
5. Adjust the front-assist handle between the threshold ring and the label to make sure your front arm is straight when operating (Fig. H).
6. Lock the lever of the locking pole. (Fig. I).

**NOTICE:** The front-assist handle should be turned upwards to point toward the top of the rear handle.

**⚠ WARNING:** Only fix the front-assist handle between the threshold ring and the label on the shaft.

**⚠ WARNING:** The tool cannot be used without the front-assist handle securely fixed.

### MOUNTING THE SHOULDER STRAP

Depress the strap hook to open it and attach it onto the shoulder-strap mount hanger (Fig. J).

## OPERATION

**⚠ WARNING:** Do not allow familiarity with this product to make you careless. Remember that a careless fraction of a second is sufficient to inflict serious injury.

**⚠ WARNING:** Always wear safety goggles or safety glasses with side shield, along with hearing protection. Failure to do so could result in objects being thrown into your eyes and other possible serious injuries.

**⚠ WARNING:** Do not use any attachments or accessories not recommended by the manufacturer of this product. The use of attachments or accessories not recommended can result in serious personal injury.

**⚠ WARNING:** To prevent serious personal injury, remove the battery pack from the tool before servicing, cleaning, changing attachments or removing material from the unit.

You may use this product for the purposes listed below:

**Trimming:** use for removing grass and weeds up against walls, fences, trees and borders.

**Cutting:** use for cutting the grass that is difficult to reach using a normal mower.

**NOTICE:** The tool is to be used only for its prescribed purpose. Any other use, for example edge trimming, is deemed to be a case of misuse.

### ATTACHING/DETACHING THE BATTERY PACK

#### Fully charge before first use

#### To Attach

Align the battery ribs with the mounting slots and press the battery pack down until you hear a "click" (Fig. K).

#### To Detach

Depress the battery-release button and pull the battery pack out as Fig. L shown.

Fig. L parts description see below:

L-1	Battery- Release button
-----	-------------------------

### HOLDING THE LINE TRIMMER

**⚠ WARNING:** Dress properly to reduce the risk of injury when operating this tool. Do not wear loose clothing or jewelry. Wear eye and ear/hearing protection. Wear heavy duty, long trousers, boots and gloves. Do not wear short trousers, sandals or go barefoot.

Before operating, stand in the operating position and check for eye protection, proper clothing, balanced footing, straight arm, which holds the front-assist handle.

**NOTICE:** The trimmer head is parallel to the ground at a proper cutting distance without the operator bending over (Fig. N).

For safe and better operation, put on the shoulder strap across the shoulder as Fig. N. Adjust the shoulder strap in a comfortable operating position. Hold the line trimmer with both hands: One hand on the rear handle and the other hand on the front-assist handle.

There are two ways to release the strap. Take it away from your shoulder directly (Fig. O) or press the hook of the strap and take it apart from the shoulder-strap mount hanger fixed on the shaft (Fig. P).

**⚠ WARNING:** The shoulder strap is also a quick release mechanism in a hazardous situation. When an emergency occurs, take it off from your shoulder immediately, no matter what way the strap is in.

### STARTING/STOPPING THE LINE TRIMMER (Fig. M)

#### To Start

Press down the lock-off lever then depress the trigger. Different pressure on the trigger results in variable rotating speed of the cutting line. More pressure, higher speed.

#### To Stop

Release the trigger.

**NOTICE:** The motor runs only when the lock-off button and trigger are both pressed.

**⚠ WARNING:** Always remove the battery pack from the line trimmer during work breaks and after finishing work.

#### Speed Adjustment Function (Fig. M)

The line trimmer has two speeds. Position “1” is for low speed while Position “2” for high speed. Push or pull the high/low speed switch to choose the suitable speed during operation.

Fig. M parts description see below:

M-1	High/Low-Speed Switch
M-2	Lock-Off Button
M-3	Trigger

### USING THE LINE TRIMMER

**⚠ WARNING:** To avoid serious personal injury, wear goggles or safety glasses at all times when operating this unit. Wear a face mask or dust mask in dusty locations.

Clear the area to be cut before each use. Remove all objects, such as rocks, broken glass, nails, wire, or line, that can be thrown or become entangled in the cutting attachment. Clear the area of children, bystanders, and pets. At a minimum, keep all children, bystanders and pets at least 15m away; there still may be risk to bystanders from thrown objects. Bystanders should be encouraged to wear eye protection. If you are approached, stop the motor and cutting attachment immediately.

#### Before each use, check for damage/worn parts

Check the bump head, guard and front-assist handle and replace the parts that are cracked, warped, bent, or damaged in any way.

The line-cutting blade on the edge of the guard can dull over time. It is recommended that you periodically sharpen with a file or replace it with a new blade.

**⚠ WARNING:** Always wear gloves when mounting the guard or servicing the blade. Take care of the blade on the guard and protect your hand from cutting.

#### After each use, clean the trimmer.

**⚠ CAUTION:** Obstructions in the vents will prevent the air from flowing into the motor housing and result in overheating or damaged of the motor.

- Use only mild soap and a damp cloth to clean the tool. Never let any liquid get inside the tool; never immerse any part of the tool into a liquid.
- Keep air vents in the motor housing from debris at all times.

**⚠ WARNING:** Never use water for cleaning your trimmer. Avoid using solvents when cleaning plastic parts. Most plastics are susceptible to damage from various types of commercial solvents. Use clean cloths to remove dirt, dust, oil, grease, etc.

#### ADJUSTING CUTTING LINE LENGTH

The trimmer head allows the operator to release more cutting line without stopping the motor. As line becomes frayed or worn, additional line can be released by lightly tapping the trimmer head on the ground while operating the trimmer (Fig. Q).

**NOTICE:** Line release will become more difficult as the cutting line becomes shorter.

**⚠ WARNING:** Do not remove or alter the line cutting blade assembly. Excessive line length will cause the motor to overheat and may result in serious personal injury.

## LINE REPLACEMENT

**NOTICE:** Always use the recommended nylon cutting line with a diameter that does not exceed 2.4 mm. Using line other than that specified may cause the line trimmer to overheat or become damaged .

**⚠ WARNING:** Never use metal-reinforced line, wire, or rope, etc. These can break off and become dangerous projectiles.

1. Remove the battery pack.
2. Remove the remaining cutting line, if necessary.
3. Cut 4m long cutting line, Insert the line into the mounting hole inside the eyelet (Fig. R). Push and pull the line from the other side until equal amounts of line appear on both sides of the spool.
4. Press, while rotating the lower cover assembly in the arrow direction, to wind the line onto the spool until approximately 14cm of line is showing on each side (Fig. S).
5. Push the lower cover assembly down while pulling on the lines to manually advance the line and to check for proper assembly of the trimmer head.

When the cutting line breaks from the line outlet or the cutting line is not released when the trimmer head is tapped, follow the steps below:

1. Press the release tabs on the upper cover and remove the lower cover assembly by pulling it straight out (Fig. T & U).
2. Remove the cutting line from the spool .
3. With one hand holding the lower cover assembly, use the other hand to grasp the lower cover assembly and align the tabs on the upper cover with the holes in the lower cover assembly (Fig. V); Use your palm to press the lower cover assembly until the tabs lock with the upper cover.
4. Follow the instructions in "LINE REPLACEMENT" to reload the cutting line.

## MAINTENANCE

**⚠ WARNING:** When servicing, use only identical replacement parts. Inspect and maintain the machine regularly. To ensure safety and reliability, all repairs should be performed by a qualified service technician.

**⚠ WARNING:** Battery tools do not have to be plugged into an electrical outlet; therefore, they are always in operating condition. To prevent serious personal injury, take extra precautions and care when performing maintenance, service or for changing the cutting attachment or other attachments.

**⚠ WARNING:** To prevent serious personal injury, remove the battery pack from the tool before servicing, cleaning, changing add-on attachments or removing material from the unit.

### CLEANING THE UNIT

- Clean the unit using a damp cloth with a mild detergent.
- Do not use any strong detergents on the plastic housing or the handle. They can be damaged by certain aromatic oils, such as pine and lemon, and by solvents such as kerosene. Moisture can also cause a shock hazard. Wipe off any moisture with a soft dry cloth.
- Use a small brush or the air discharge of a small vacuum cleaner brush to clean the air vents on the rear housing.

### TRANSMISSION GEARS LUBRICATION

The transmission gears in the gear case need be lubricated periodically with gear grease. Check the gear case grease level about every 50 hours of operation by removing the sealing screw on the side of the case.

If no grease can be seen on the flanks of the gear, follow the steps below to fill with gear grease up to 3/4 capacity. Do not completely fill the transmission gears.

1. Hold the line trimmer on its side so that the sealing screw is facing upwards (Fig. W).
2. Use the multi-function wrench provided to loosen and remove the sealing screw.
3. Use a grease syringe (not included) to inject some grease into the screw hole; do not exceed 3/4 capacity.
4. Tighten the sealing screw after injection.

**STORING THE UNIT**

- Remove the battery pack from the line trimmer when it is not in use.
- Clean the tool thoroughly before storing it.
- Store the unit in a dry, well-ventilated area, locked-up or up high, out of the reach of children. Do not store the unit on or adjacent to fertilisers, petrol, or other chemicals.

**Protecting the environment**

Do not dispose of electrical equipment, battery charger and batteries/rechargeable batteries into household waste!

According to the European law 2012/19/EU, electrical and electronic equipment that is no longer usable, and according to the European law 2006/66/EC, defective or used battery packs/batteries, must be collected separately.

If electrical appliances are disposed of in landfills or dumps, hazardous substances can leak into the groundwater and get into the food chain, damaging your health and well-being.

**EN TROUBLESHOOTING**

PROBLEM	CAUSE	SOLUTION
Line trimmer fails to start.	<ul style="list-style-type: none"> <li>■ The battery pack is not attached to the trimmer.</li> <li>■ No electrical contact between the trimmer and battery.</li> <li>■ The battery pack is depleted.</li> <li>■ The lock-off button and trigger are not depressed simultaneously.</li> </ul>	<ul style="list-style-type: none"> <li>■ Attach the battery pack to the trimmer.</li> <li>■ Remove battery, check contacts and reinstall the battery pack.</li> <li>■ Charge the battery pack.</li> <li>■ Press down the lock-off button and hold it, then depress the trigger to turn on the line trimmer.</li> </ul>
Line trimmer stops while cutting.	<ul style="list-style-type: none"> <li>■ The guard is not mounted on the trimmer, resulting in an overly long cutting line and motor overload.</li> <li>■ Heavy cutting line is used.</li> <li>■ The motor shaft or trimmer head is bound with grass.</li> <li>■ The motor is overloaded.</li> <li>■ The battery pack or line trimmer is too hot.</li> <li>■ The battery pack is disconnected from the tool.</li> <li>■ The battery pack is depleted.</li> </ul>	<ul style="list-style-type: none"> <li>■ Remove the battery pack and mount the guard on the trimmer.</li> <li>■ Use recommended nylon cutting line with diameter no more than 2.4 mm.</li> <li>■ Stop the trimmer, remove the battery, and remove the grass from the motor shaft and trimmer head.</li> <li>■ Remove the trimmer head from the grass. The motor will recover to work as soon as the load is removed. When cutting, move the trimmer head in and out of the grass to be cut and remove no more than 20 cm of length in a single cut.</li> <li>■ Allow the battery pack or trimmer to cool until the temperature drops below 67°C.</li> <li>■ Re-install the battery pack.</li> <li>■ Charge the battery pack.</li> </ul>

PROBLEM	CAUSE	SOLUTION
Trimmer head will not advance line.	<ul style="list-style-type: none"> <li>■ The motor shaft or trimmer head is bound with grass.</li> <li>■ There is not enough line on the spool.</li> <li>■ The trimmer head is dirty.</li> <li>■ The line is tangled on the spool.</li> <li>■ The line is too short.</li> </ul>	<ul style="list-style-type: none"> <li>■ Stop the trimmer, remove the battery, and clean the motor shaft and trimmer head.</li> <li>■ Remove the battery and replace the cutting line; follow the section "LINE REPLACEMENT" in this manual.</li> <li>■ Remove the battery and clean the trimmer head.</li> <li>■ Remove the battery, remove the line from the trimmer head and rewind; follow the section "RELOAD THE CUTTING LINE" in this manual.</li> <li>■ Remove the battery and pull the lines manually while alternately pressing down and releasing the trimmer head.</li> </ul>
Grass wraps around trimmer head and motor housing.	<ul style="list-style-type: none"> <li>■ Cutting tall grass at ground level.</li> </ul>	<ul style="list-style-type: none"> <li>■ Cut tall grass from the top down, removing no more than 20 cm in each pass to prevent wrapping.</li> </ul>
Cracks on the trimmer head or the lower cover assembly comes loose from upper cover.	<ul style="list-style-type: none"> <li>■ The trimmer head is worn out.</li> </ul>	<ul style="list-style-type: none"> <li>■ Replace the trimmer head immediately performed by a qualified service technician.</li> </ul>

## WARRANTY

### EGO WARRANTY POLICY

Please visit the website [egopowerplus.com](http://egopowerplus.com) for full terms and conditions of the EGO Warranty policy.

DE

## LESEN SIE ALLE ANWEISUNGEN!



### LESEN SIE DIE BETRIEBSANLEITUNG

**⚠ Restrisiko!** Menschen mit elektronischen Geräten, wie z.B. Herzschrittmachern, sollten ihren Arzt konsultieren, bevor sie dieses Gerät verwenden. Die Bedienung von Elektrogeräten in unmittelbarer Nähe zu Herzschrittmachern kann zu Interferenzen und Störungen des Schrittmachers führen.

**⚠ WARNUNG:** Um die Sicherheit und Zuverlässigkeit zu gewährleisten, sollten alle Reparaturen und der Austausch von Teilen nur von qualifizierten Servicetechnikern durchgeführt werden.

## SICHERHEITSSYMBOL

Der Zweck von Warnsymbolen besteht darin, Ihre Aufmerksamkeit auf mögliche Gefahren zu lenken. Die Warnsymbole und deren Erklärungen verdienen Ihre vollste Aufmerksamkeit und Beachtung. Durch die Warnsymbole allein sind die Gefahren noch nicht ausgeschaltet. Die Anweisungen und Warnhinweise stellen keinen Ersatz für angemessene Unfallverhütungsmaßnahmen dar.

**⚠ WARNUNG:** Achten Sie darauf, dass Sie, bevor Sie das Gerät benutzen, alle Sicherheitsanweisungen dieser Bedienungsanleitung gelesen und verstanden haben, einschließlich aller Gefahrenzeichen wie „**VORSICHT**“, „**WARNUNG**“ und „**ACHTUNG**“. Die Nichtbeachtung der unten angeführten Anweisungen kann zu Stromschlägen, Feuer und/oder schweren Personenschäden führen.

## SYMBOLBEDEUTUNG

**SYMBOL FÜR SICHERHEITSWARNUNGEN:** Weist auf GEFÄHR, eine WARNUNG oder VORSICHT hin. Kann zusammen mit anderen Symbolen oder Bildern verwendet werden.



**⚠ WARNUNG:** Die Bedienung von Elektrogeräten kann dazu führen, dass Fremdkörper in Ihre Augen geschleudert werden und Sie dadurch schwerwiegende Augenschäden davontragen. Tragen Sie immer eine Schutzbrille, wenn möglich mit Seitenschutz, oder, falls nötig, einen vollen Gesichtsschutz, bevor Sie Arbeiten mit dem Elektrowerkzeug verrichten. Wir empfehlen Ihnen, einen Gesichtsschutz über Ihrer eigenen Brille oder eine herkömmliche Schutzbrille mit Seitenschutz zu tragen.

## SICHERHEITSHINWEISE

Diese Seite zeigt und beschreibt die Sicherheitssymbole, die auf diesem Produkt erscheinen können. Lesen, verstehen und befolgen Sie die Anleitungen auf der Maschine, bevor Sie versuchen, die Maschine zusammenzubauen oder zu bedienen.

	Sicherheitswarnung	Weist auf mögliche Verletzungsgefahr hin.
	Lesen Sie die Bedienungsanleitung	Um das Verletzungsrisiko zu verringern, muss der Benutzer die Bedienungsanleitung vor der Benutzung des Gerätes gelesen und verstanden haben.
	Augenschutz tragen	Tragen Sie immer einen Gehörschutz, wenn Sie das Gerät bedienen.
	Gehörschutz tragen	Tragen Sie immer einen Gehörschutz, wenn Sie das Gerät bedienen.
	Kein Messer	Keine Metall- oder Kunststoffmesser installieren
	Unbefugte Personen fernhalten	Stellen Sie bei Betrieb sicher, dass andere Personen und Haustiere mindestens 15 m von dem Rasentrimmer entfernt sind.
	Unbefugte Personen fernhalten	Stellen Sie bei Betrieb sicher, dass andere Personen und Haustiere mindestens 15 m von dem Rasentrimmer entfernt sind.



	Geräusch	Schalldruckpegel
	Schutzklasse	Schutz vor Spritzwasser
V	Volt	Spannung
mm	Millimeter	Länge oder Größe
cm	Zentimeter	Länge oder Größe
	Gleichstrom	Art oder Eigenschaft der Stromzufuhr
$n_0$	Leerlaufdrehzahl	Drehzahl im Leerlauf
$\text{min}^{-1}$	pro Minute	Umdrehungen pro Minute

### WICHTIGE SICHERHEITSHINWEISE

**⚠️ WARNUNG!** Beim Gebrauch von elektrischen Rasentrimmern sollten stets grundlegende Sicherheitsvorkehrungen beachtet werden, um Verletzungs-, Brand- und Stromschlaggefahren einzudämmen.

### LESEN SIE ALLE ANWEISUNGEN

**⚠️ VORSICHT!** Verlassen Sie sich nicht auf die Isolierung des Werkzeugs gegen Stromschlag. Um das Risiko eines tödlichen Stromschlags zu reduzieren, benutzen Sie das Werkzeug niemals in der Nähe von Drähten oder Kabeln, die Strom führen können.

**⚠️ VORSICHT:** Tragen Sie während des Gebrauchs einen angemessenen Gehörschutz. Unter bestimmten Bedingungen und bei längerem Gebrauch kann der Lärm, den dieses Gerät erzeugt, zum Hörverlust beitragen.

### SCHULUNG

- Lesen Sie die Anweisungen aufmerksam. Machen Sie sich mit den Bedienelementen und der richtigen Handhabung des Gerätes vertraut.
- Lassen sie niemals Personen, die mit diesen Anleitungen nicht vertraut sind, oder Kinder das Gerät benutzen. Örtliche Bestimmungen können das Alter des Benutzers einschränken.
- Lassen sie niemals Personen, die mit diesen Anleitungen nicht vertraut sind, oder Kinder das Gerät benutzen. Örtliche Bestimmungen können das Alter des Benutzers einschränken.

### VORBEREITUNG

- Benutzen Sie die Maschine niemals, wenn sich Personen, insbesondere Kinder, oder Haustiere in der Nähe befinden.
- Tragen Sie immer einen Augenschutz und robustes Schuhwerk, während Sie das Gerät benutzen.
- Zwischen dem Gerät und Passanten muss ein Sicherheitsabstand von Mindestens 15 m eingehalten werden.
- Keine Metallmesser verwenden

### BEDIENUNG

- Benutzen Sie die Maschine nur bei Tageslicht oder unter gutem künstlichen Licht.
- Bedienen Sie das Gerät auf keinen Fall mit beschädigten Schutzvorrichtungen oder Abdeckungen oder ohne Schutzvorrichtungen oder Abdeckungen.
- Schalten Sie den Motor nur ein, wenn Hände und Füße nicht in der Nähe der Schneidwerkzeuge sind.
- Trennen Sie das Gerät immer von der Stromversorgung (d.h., ziehen Sie den Netzstecker aus der Steckdose oder entfernen Sie die Deaktivierungsvorrichtung),
  - wann immer Sie das Gerät unbeaufsichtigt lassen;
  - bevor sie eine Sicherung entfernen;
  - bevor sie am Gerät arbeiten, dieses säubern oder kontrollieren;
  - nachdem Sie einen Fremdkörper getroffen haben;
  - wann immer das Gerät beginnt, ungewöhnlich zu vibrieren.
- Schützen Sie sich vor Verletzungen an Händen und Füßen durch das Schnittgut.
- Stellen sie immer sicher, dass die Lüftungsöffnungen frei von Schmutz bleiben.

### WARTUNG UND LAGERUNG

- Trennen Sie das Gerät von der Stromversorgung (d.h., ziehen Sie den Netzstecker aus der Steckdose oder entfernen Sie die Deaktivierungsvorrichtung), bevor Sie das Gerät warten oder säubern.
- Verwenden sie nur vom Hersteller Original Ersatzteile und Zubehör.
- Prüfen und warten Sie das Gerät regelmäßig. Lassen Sie das Gerät nur von einer autorisierten Servicewerkstatt reparieren.
- Wenn das Gerät nicht benutzt wird, lagern Sie es außer Reichweite von Kindern.

## SONSTIGE SICHERHEITSHINWEISE

- Vermeiden Sie gefährliche Umgebungen – Benutzen Sie den Rasentrimmer nicht an feuchten oder nassen Stellen.
- Schalten Sie den Fadenmäher immer aus oder entfernen Sie den Akku, wenn Sie das Gerät unbeaufsichtigt lassen.
- Benutzen Sie das Gerät nicht im Regen.
- Halten sie Kinder fern – Anwesende Personen sollten auf Abstand zum Arbeitsbereich gehalten werden.
- Tragen Sie geeignete Kleidung – Tragen Sie keine weite Kleidung oder Schmuck. Diese können sich in den beweglichen Teilen verfangen. Bei Arbeiten im Freien werden Gummihandschuhe und festes Schuhwerk empfohlen. Tragen Sie eine Schutzhaube, um lange Haare zurückzuhalten.
- Schutzbrille tragen – Tragen Sie immer eine Schutzbrille beim Betrieb dieses Gerätes.
- Verwenden Sie das richtige Werkzeug – Verwenden Sie das Werkzeug zu keinem anderen Zweck als den, für den es vorgesehen ist.
- Üben Sie keinen Druck auf den Fadenmäher aus - Er wird besser und mit geringerem Verletzungsrisiko funktionieren, wenn er im Rahmen des Wirkungsgrades benutzt wird, für den er entwickelt wurde.
- Strecken Sie sich nicht zu weit vor – Achten Sie stets auf einen festen Stand und halten Sie das Gleichgewicht.
- Bleiben Sie wachsam – Achten Sie auf das, was Sie tun. Seien Sie vernünftig. Benutzen Sie den Fadenmäher nicht, wenn Sie müde sind.
- Benutzen Sie den Fadenmäher nicht, wenn Sie unter dem Einfluss Alkohol oder Drogen stehen.
- Lassen Sie die Schutzabdeckungen an ihrem Platz und halten Sie diese in gutem Zustand.
- Lagern Sie den Fadenmäher drinnen – Wenn der Fadenmäher nicht benutzt wird, sollte der Akku entfernt werden und das Gerät drinnen an einem trockenen und hohen oder abgeschlossenen Platz aufbewahrt werden - außer Reichweite von Kindern.
- Warten Sie den Fadenmäher sorgfältig – Halten Sie das Schneidwerkzeug sauber, um die beste Leistung zu erzielen und die Verletzungsgefahr zu reduzieren. Folgen Sie den Anleitungen zum Auswechseln des Zubehörs. Halten Sie die Griffe trocken, sauber und frei von Öl oder Fett.
- Untersuchen Sie beschädigte Teile – Bevor Sie den Fadenmäher weiter benutzen, muss eine Schutzabdeckung oder ein anderes Teil, das beschädigt ist, sorgfältig untersucht werden, um zu bestimmen, ob es ordnungsgemäß funktionieren und seine bestimmungsgemäße Aufgabe erfüllen wird. Achten Sie auf die Ausrichtung oder Behinderung beweglicher Teile, auf Bruchstellen, Befestigungen und alle anderen Umstände, die die Funktion des Gerätes beeinträchtigen könnten. Eine Schutzabdeckung oder ein anderes Teil, das beschädigt ist, sollte von einer autorisierten Servicewerkstatt sachgemäß repariert oder ersetzt werden, sofern es nicht anders in dieser Bedienungsanleitung angegeben ist.
- Räumen Sie den Arbeitsbereich vor jedem Gebrauch auf. Entfernen Sie alle Objekte, wie z. B. Steine, zerbrochenes Glas, Nägel, Kabel oder Fäden, die durch die Maschine herumgeschleudert oder sich im Schneidwerkzeug verfangen könnten. Stellen Sie sicher, dass Sie einen Abstand von mindestens 15 m zu anderen Personen und Haustiere halten.
- Prüfen Sie die Maschine vor dem Gebrauch und nach jedem Stoß auf Anzeichen von Verschleiß oder Beschädigungen und reparieren Sie den Schaden, sofern erforderlich.
- Halten Sie den Fadenmäher stets mit beiden Händen an den Griffen fest, wenn Sie die Maschine benutzen. Umfassen Sie mit Ihren Fingern und den Daumen die Griffe.
- Vermeiden Sie versehentliches Starten – Tragen Sie den Fadenmäher nicht mit Ihrem Finger am Auslöser.
- Benutzen Sie den Fadenmäher nicht in explosionsgefährlichen Bereichen oder dort, wo Benzin gelagert wird. Motoren in diesen Geräten sprühen normalerweise Funken und die Funken können Dämpfe entzünden
- Schäden am Fadenmäher – Wenn Sie mit dem Fadenmäher einen Fremdkörper treffen oder er verfangt sich, halten Sie das Werkzeug sofort an, entfernen Sie den Akku aus dem Fadenmäher, prüfen Sie ihn auf Beschädigungen und lassen Sie eventuelle Beschädigungen reparieren, bevor Sie den Betrieb fortsetzen. Benutzen Sie die Maschine nicht mit einer defekten Schutzabdeckung oder Spule.
- Falls das Gerät ungewöhnlich zu vibrieren beginnt, schalten Sie den Motor aus, entfernen Sie den Akku aus dem Fadenmäher und suchen Sie sofort nach der Ursache. Vibrationen weisen im Allgemeinen auf Probleme hin. Ein gelockterter Kopf kann vibrieren, zerspringen, brechen oder sich vom Fadenmäher lösen, wodurch schwere oder tödliche Verletzungen verursacht werden können. Stellen Sie sicher, dass das Schneidwerkzeug korrekt an seinem Platz befestigt ist. Falls sich der

Kopf löst, nachdem er an seinem Platz befestigt wurde, ersetzen Sie ihn bitte sofort. Verwenden Sie niemals einen Fadenmäher mit locker sitzendem Schneidwerkzeug.

- Ersetzen Sie einen gerissenen, beschädigten oder abgenutzten Mähkopf sofort, selbst wenn die Beschädigung sich lediglich auf oberflächliche Risse beschränkt. Diese Art Werkzeug kann bei hoher Drehzahl zerspringen und schwere oder tödliche Verletzungen verursachen.
- Überprüfen Sie das Schneidwerkzeug in regelmäßigen Abständen während des Betriebs oder sofort, wenn Sie eine Veränderung im Schnittverhalten bemerken.
- Benutzen Sie nur von EGO™ zugelassenes Polymer-Mähfadenzubehör und Mähfäden, die für die Benutzung mit diesem Werkzeug entwickelt sind. Selbst wenn bestimmte nicht zugelassene Werkzeuge an dem EGO™ Fadenmäher befestigt werden können, kann ihre Verwendung äußerst gefährlich sein und/oder die Werkzeuge beschädigen.
- Um die Gefahr schwerer Verletzungen zu reduzieren, verwenden Sie niemals Draht oder mit Metall verstärkten Fäden oder anderes Material anstatt der Nylon-Mähfäden. Drahtstücke könnte abbrechen und mit hoher Geschwindigkeit in Richtung des Benutzers oder Umstehender geschleudert werden
- Um das Verletzungsrisiko durch Kontrollverlust zu reduzieren, arbeiten Sie nie auf einer Leiter oder einer anderen unsicheren Unterlage stehend. Halten Sie den Schneidaufsatz niemals über Tailenhöhe.
- Falls Situationen auftreten, die nicht in dieser Bedienungsanleitung behandelt werden, gehen Sie vorsichtig und vernünftig vor. Kontaktieren Sie das EGO-Servicezentrum für eine Reparatur.
- Laden Sie den Akkusatz nicht im Regen oder an nassen Orten auf.
- Nur Akkus und Ladegeräte von EGO verwenden.

AKKUSATZ	LADEGERÄT
BA1 120E, BA1400, BA2240E BA2800, BA3360, BA4200, BA1400T, BA2800T, BA4200T	CH2100E, CH5500E

- Der Akkusatz muss aus dem Gerät entfernt werden, wenn es ausrangiert wird.
- Der Akku muss sicher entsorgt werden.
- Akku nicht ins Feuer werfen. Die Zellen können explodieren. Erkundigen Sie sich bei den Behörden vor Ort über mögliche Sondervorschriften zur Entsorgung.
- Öffnen oder zerstören Sie den Akku nicht. Auslaufender Elektrolyt ist ätzend und kann die Augen oder Haut schädigen. Es kann bei Verschlucken giftig sein.

- Lassen Sie beim Umgang mit dem Akku Vorsicht walten, um den Akku nicht mit leitenden Materialien wie Ringen, Armbändern und Schlüsseln kurzzuschließen. Der Akku oder der Leiter können sich überhitzen und Verbrennungen verursachen.
- Verwenden Sie für die Wartung nur identische EGO Ersatzteile. Die Verwendung anderer Zubehöreile oder Werkzeuge kann die Verletzungsgefahr erhöhen.
- Akkuwerkzeuge müssen nicht mit einer Steckdose verbunden werden; daher sind sie stets einsatzbereit. Seien Sie sich möglicher Gefahren bewusst, selbst wenn das Werkzeug nicht eingeschaltet ist. Lassen Sie bei Wartungsarbeiten oder Reparaturen Vorsicht walten.
- Waschen Sie das Gerät nicht mit dem Wasserschlauch; lassen Sie kein Wasser in den Motor und die elektrischen Verbindungen gelangen.
- Heben Sie diese Anleitung auf. Schlagen Sie gegebenenfalls darin nach und verwenden Sie sie, um Andere in die Verwendung des Gerätes einzuweisen. Wenn Sie das Gerät an Andere verleihen, dann verleihen Sie auch diese Anleitung, um der falschen Handhabung und damit möglichen Verletzungen vorzubeugen.
- Tragen Sie immer robustes Schuhwerk und lange Hosen, wenn Sie das Gerät benutzen.
- Achten Sie stets auf einen sicheren Stand an Hängen. Gehen Sie, laufen Sie niemals beim Betrieb des Gerätes.

## HEBEN SIE DIESE ANLEITUNG AUF!

## TECHNISCHE DATEN

Spannung	56 V ---
Leerlaufdrehzahl	5000/6000 min <sup>-1</sup>
Schneidmechanismus	Mähkopf
Fadendurchmesser	2,4 mm Nylon-Mähfaden
Schnittbreite	38 cm
Gewicht (ohne Akku)	4,21Kg
Gemessener Schalleistungspegel L <sub>WA</sub>	94,3 dB(A) K=1,37 dB(A)
Schalldruckpegel am Ohr des Bedieners L <sub>PA</sub>	82,6 dB(A) K= 3 dB(A)
Garantierter Schalleistungspegel L <sub>WA</sub> (nach 2000/14/EG)	96 dB(A)

Vibration $a_h$	Hinterer Griff	3,97 m/s <sup>2</sup> K=1,5 m/s <sup>2</sup>
	Vorderer Haltegriff	2,78 m/s <sup>2</sup> K=1,5 m/s <sup>2</sup>

## PACKLISTE

TEILNAME	LADEGERÄT
Rasentrimmer	1
Fadenschutz	1
Vorderer Haltegriff	1
Inbusschlüssel	1
Multifunktionsschlüssel	1
Schultergurt	1
Bedienungsanleitung	1

## BESCHREIBUNG

### AUFBAU (Abb. A)

1. Anschlagring
2. Auslöser
3. Hinterer Griff
4. Lufteinlass
5. Entriegelungsschalter
6. Drehzahlsschalter Hoch/Niedrig
7. Schultergurt-Halterring
8. Verstellbarer vorderer Haltegriff
9. Schultergurt
10. Multifunktionsschlüssel
11. Inbusschlüssel
12. Mähkopf
13. Mähfaden
14. Freigabelasche
15. Fadenmesser
16. Fadenschutz
17. Ausstoßmechanismus
18. Elektrische Kontakte
19. Verschluss
20. Gummischutzpolster
21. Akku-Freigabeknopf

## MONTAGE

**⚠️ WARNUNG:** Wenn irgendwelche Teile beschädigt sind oder fehlen, verwenden Sie das Produkt nicht, bis alle Teile ersetzt worden sind. Die Verwendung des Geräts mit beschädigten oder fehlenden Teilen kann zu schweren Verletzungen führen.

**⚠️ WARNUNG:** Versuchen Sie nicht, dieses Produkt zu verändern oder Zubehörteile zu verwenden, die für den Einsatz des Rasentrimmers nicht empfohlen werden. Derartige Änderungen oder Umbauten stellen einen unsachgemäßen Gebrauch dar und können zu gefährlichen Umständen und ernsthaften Verletzungen führen.

**⚠️ WARNUNG:** Um das unbeabsichtigte Starten, das zu schweren Verletzungen führen könnte, zu verhindern, entfernen Sie immer den Akkusatz aus dem Werkzeug, wenn Sie Teile montieren.

### MONTIEREN DES FADENSCHUTZES

**⚠️ WARNUNG:** Tragen Sie beim Anbringen oder Auswechseln des Fadenschutzes immer Handschuhe. Achten Sie auf das Messer am Fadenschutz und passen Sie auf, dass Sie sich nicht schneiden.

**⚠️ WARNUNG:** Setzen Sie das Werkzeug nur in Betrieb, wenn die Schutzabdeckung fest angebracht ist. Der Fadenschutz muss zum dauerhaften Schutz des Benutzers immer am Werkzeug befestigt sein! Wenn der Fadenschutz montiert ist, darf er weder entfernt noch justiert werden. Falls dieser ersetzt werden muss, wenden Sie sich an eine qualifizierte Werkstatt!

1. Montieren Sie die beiden Schrauben am Ende des Fadenschutzes ab (Abb. B).
2. Lassen Sie die Montagebohrungen am Fadenschutz mit den Haltelöchern fluchten. Schrauben Sie den Fadenschutz anschließend mit den beiden Schrauben am Schaftende an, zusammen mit den beiden Federscheiben (Abb. C).

**HINWEIS:** Make sure the guard is fixed according to Fig. B & C, any reverse fixing will cause great danger!

### MONTIEREN DES VORDEREN HALTEGRIFFS

1. Lösen Sie den Arretierungsstift im vorderen Haltegriff und entfernen Sie den Arretierungsstift und die Flügelmutter vom vorderen Haltegriff (Abb. D).

Teilebezeichnung der Abb. D:

D-1	Arretierungsstift	D-3	Klemmvorrichtung
D-2	Vorderer Haltegriff	D-4	Flügelmutter

- Schieben Sie den vorderen Haltegriff auf den Schaft (Abb. E).
- Schieben Sie das Klemmstück in die Aufnahme am Griff (Abb. F).
- Stecken Sie den Arretierungsstift ein und spannen Sie ihn mit der Flügelmutter vor. Vergewissern Sie sich, dass der vordere Haltegriff nach oben und zur Oberseite des hinteren Griffs zeigt (Abb. G).
- Verschieben Sie den vorderen Haltegriff so zwischen dem Anschlagring und dem Etikett, dass Ihr Arm beim Arbeiten gestreckt ist (Abb. H).
- Verriegeln Sie den Hebel des Arretierungsstiftes. (Abb. I).

**HINWEIS:** Der vordere Haltegriff sollte nach oben zur Oberseite des hinteren Griffs gedreht werden.

**⚠️ WARNUNG:** Befestigen Sie den vorderen Haltegriff nur im Bereich zwischen Anschlagring und Etikett am Schaft.

**⚠️ WARNUNG:** Ohne fest montierten vorderen Haltegriff darf das Werkzeug nicht verwendet werden.

### BEFESTIGEN DES SCHULTERGURTS

Drücken Sie auf den Gurthaken, um ihn zu öffnen, und befestigen Sie ihn auf dem Schultergurthalter (Abb. J).

## BEDIENUNG

**⚠️ WARNUNG:** Auch wenn Sie sich mit dem Gerät auskennen, sollten Sie sich nicht zu einer gewissen Nachlässigkeit verleiten lassen. Denken Sie daran, dass ein kurzer Moment der Unachtsamkeit genügt, um ernsthafte Verletzungen zu verursachen.

**⚠️ WARNUNG:** Tragen Sie immer eine Schutz- oder Sicherheitsbrille mit Seitenschutz und einen Gehörschutz. Andernfalls könnte etwas in Ihre Augen geschleudert werden und schwere Verletzungen verursachen.

**⚠️ WARNUNG:** Verwenden Sie keine Aufsätze oder Zubehör, das nicht vom Hersteller dieses Geräts empfohlen wird. Der Gebrauch von nicht empfohlenen Aufsätzen oder Zubehör kann zu schweren Verletzungen führen.

**⚠️ WARNUNG:** Um schwere Verletzungen zu verhindern, nehmen Sie den Akku vom Motor ab, bevor Sie das Gerät warten, reinigen, Anbauwerkzeuge auswechseln oder Material aus dem Gerät entfernen.

Sie können dieses Produkt für die unten aufgeführten Zwecke einsetzen:

**Trimmen:** Entfernen von Gras und Unkraut an Wänden, Zäunen, Bäumen und Rändern.

**Schneiden:** Zum Schneiden von Gras, das mit einem normalen Mäher schwer zugänglich ist.

**HINWEIS:** Das Gerät darf nur für seinen vorgeschriebenen Zweck verwendet werden. Jede andere Verwendung, zum Beispiel Kantentrimmen, gilt als Missbrauch.

### ANBRINGEN/ABNEHMEN DES AKKUS

**Laden Sie den Akku vor dem ersten Gebrauch voll auf.**

#### Zum Anbringen

Lassen Sie die Rippen am Akkugehäuse mit den Öffnungen am Gerät fluchten und schieben Sie den Akku bis zum hörbaren Einrasten in das Gerät (Abb. K).

#### Abnehmen

Drücken Sie die Batterieentriegelung und ziehen Sie den Akku heraus (siehe Abb. L).

Teilebezeichnung der Abb. L:

L-1	Akku-Freigabeknopf
-----	--------------------

### HALTEN DES RASENTRIMMERS

**⚠️ WARNUNG:** Tragen Sie geeignete Kleidung, um das Verletzungsrisiko bei der Benutzung dieses Geräts zu reduzieren. Tragen Sie keine weite Kleidung oder Schmuck. Tragen Sie einen Augen- und Gehörschutz. Tragen Sie robuste lange Hosen, Stiefel und Handschuhe. Tragen Sie keine kurze Hose, Sandalen oder gehen Sie barfuß.

Stellen Sie sich vor der Inbetriebnahme in die Arbeitsposition und prüfen Sie auf Augenschutz, geeignete Kleidung, Gleichgewicht und gerade Stellung des Arms am vorderen Haltegriff.

**HINWEIS:** Wenn sich der Mähkopf parallel zum Boden und im richtigen Schneideabstand befindet, soll der Bediener aufrecht stehen (Abb. N).

Legen Sie zum sicheren und einfacheren Arbeiten den Schultergurt an, wie in Abb. N zu sehen. Passen Sie den Schultergurt so an, dass er bequem beim Arbeiten sitzt. Halten Sie den Rasentrimmer mit beiden Händen fest: Eine Hand am hinteren Griff und die andere am vorderen Haltegriff.

Es gibt zwei Möglichkeiten den Schultergurt zu lösen. Ziehen Sie den Gurt entweder direkt über den Kopf (Abb. O) oder klinken Sie den Gurthaken aus dem am Schaft befestigten Haltering aus (Abb. P).

**⚠️ WARNUNG:** Der Schultergurt ist zudem ein Schnelllösemechanismus in gefährlichen Situationen. Nehmen Sie ihn bei einem Notfall sofort von Ihrer Schulter, ganz gleich in welcher Weise der Schultergurt umgelegt ist.

## START/STOPP DES RASENTRIMMERS (Abb. M)

### Ein schalten

Drücken Sie den Hebel zum Entriegeln hinunter und drücken Sie dann den Auslöser. Durch Ändern des Drucks auf den Auslöser wird die Drehzahl des Mähfadens geregelt. Je mehr Druck, desto höher die Drehzahl.

### Ausschalten

Lassen Sie den Auslöser los.

**HINWEIS:** Der Motor läuft nur, wenn der Entriegelungsschalter und der Auslöser gleichzeitig gedrückt werden.

**⚠️ WARNUNG:** Nehmen Sie während Arbeitspausen und nach Abschluss der Arbeit stets den Akkusatz aus dem Rasentrimmer.

### Drehzahlverstellung (Abb. M)

Der Rasentrimmer hat zwei Drehzahlen. Position „1“ entspricht der niedrigen Drehzahl und Position „2“ der hohen Drehzahl. Drücken oder ziehen Sie den Drehzahlsschalter Hoch/Niedrig, um während des Betriebs die geeignete Drehzahl auszuwählen.

Teilebezeichnung der Abb. M:

M-1	Drehzahlsschalter Hoch/Niedrig
M-2	Entriegelungsschalter
M-3	Auslöser

## VERWENDUNG DES RASENTRIMMERS

**⚠️ WARNUNG:** Um schwere persönliche Verletzungen zu vermeiden, tragen Sie eine Schutzbrille oder Sicherheitsbrille, während Sie das Gerät bedienen. Tragen Sie eine Gesichts- oder Staubmaske in staubigen Bereichen.

Räumen Sie den Arbeitsbereich vor jedem Einsatz auf. Entfernen Sie alle Objekte, wie z.B. Steine, zerbrochenes Glas, Nägel, Drähte oder Fäden, die aus dem Gerät herausgeschleudert werden oder sich in der Schneidvorrichtung verfangen könnten. Halten Sie den Bereich von Kindern, Passanten und Haustieren frei. Halten Sie einen Mindestabstand von 15 m zu allen Kindern, Passanten und Haustieren ein; es besteht noch Gefahr durch umhergeschleuderte Gegenstände. Schaulustige sollten gebeten werden, Schutzbrillen aufzusetzen. Wenn jemand auf Sie zukommt, stellen Sie den Motor und das Schneidwerkzeug sofort ab.

### Prüfen Sie vor jedem Gebrauch auf Schäden/ abgenutzte Teile

Prüfen Sie den Fadenkopf, die Schutzabdeckung und den vorderen Haltegriff und ersetzen Sie die Teile, die in irgendeiner Weise gesprungen, verzogen, verbogen oder beschädigt sind.

Die Messerklinge am Rand der Schutzabdeckung kann im Laufe der Zeit stumpf werden. Es wird empfohlen, dass Sie die Klinge regelmäßig mit einer Feile schärfen oder gegen eine neue austauschen.

**⚠️ WARNUNG:** Tragen Sie immer Handschuhe, wenn Sie den Fadenschutz montieren oder das Messer warten. Achten Sie auf das Messer am Fadenschutz und passen Sie auf, dass Sie sich nicht schneiden.

### Reinigen Sie den Rasentrimmer nach jedem Gebrauch.

**⚠️ VORSICHT:** Verstopfte Lüftungsschlitze verhindern, dass die Luft in das Motorgehäuse strömen kann. Das führt zu einer Überhitzung oder zu Motorschäden.

- Verwenden Sie nur milde Seife und ein feuchtes Tuch zum Reinigen des Werkzeugs. Keine Flüssigkeit im Werkzeug lassen. Das Werkzeug darf auf keinen Fall in Flüssigkeit getaucht werden.
- Halten Sie die Lüftungsschlitze im Motorgehäuse immer frei von Ablagerungen.

**⚠️ WARNUNG:** Verwenden Sie niemals Wasser zum Reinigen des Rasentrimmers. Verwenden Sie keine Lösungsmittel zum Reinigen von Kunststoffteilen. Die verschiedenen handelsüblichen Lösungsmittel greifen die Kunststoffflächen an. Verwenden Sie zum Entfernen von Schmutz, Staub, Öl, Fett usw. saubere Lappen.

## EINSTELLEN DER FADENLÄNGE

Der Mähkopf ermöglicht dem Benutzer, den Mähfaden zu verlängern, ohne den Motor anzuhalten. Wenn der Faden ausgefranst oder abgenutzt ist, kann mehr Faden freigegeben werden, indem Sie mit dem Mähkopf leicht auf den Boden klopfen, während Sie den Trimmer benutzen (Abb. Q).

**HINWEIS:** Das Nachführen des Fadens wird umso schwerer, je kürzer der Faden wird.

**⚠️ WARNUNG:** Der Fadenmesser-Mechanismus darf nicht verändert oder beseitigt werden. Zu viel Fadenlänge führt zu einer Überhitzung des Motors und kann schwere Verletzungen nach sich ziehen.

## AUSWECHSELN DES FADENS

**HINWEIS:** Verwenden Sie immer den empfohlenen Nylon-Mähfaden mit einem Durchmesser von höchstens 2,4 mm. Die Benutzung eines anderen als des empfohlenen Mähfadens kann zum Überhitzen oder zur Beschädigung des Rasentrimmers führen.

**⚠️ WARNUNG:** Verwenden Sie niemals mit Draht, Metall oder Seil verstärkte Fäden o.ä. Diese können abbrechen und zu gefährlichen Geschossen werden.

1. Entfernen Sie den Akkusatz.
2. Entfernen Sie den restlichen Mähfaden, falls erforderlich.
3. Schneiden Sie 4 m Mähfaden ab. Stecken Sie den Faden in das Loch in der Öse (Abb. R). Schieben Sie den Faden durch und ziehen Sie von der anderen Seite weiter, bis die Fadenstücke auf beiden Seiten der Spule gleich groß sind.
4. Drücken Sie auf die untere Spulenabdeckungseinheit und wickeln Sie durch Drehen in Pfeilrichtung den Faden auf die Spule, bis auf beiden Seiten etwa 14 cm Faden überstehen (Abb. S).
5. Schieben Sie die untere Spulenabdeckungseinheit nach unten und ziehen Sie dabei an den Fäden, um den Faden von Hand vorwärts zu bewegen und die richtige Montage des Mähkopfs zu überprüfen.

Wenn der Mähfaden vom Fadenauslass abreißt oder wenn der Mähfaden beim Klopfen des Mähkopfs nicht freigegeben wird, ist wie folgt vorzugehen:

1. Drücken Sie die Freigabelaschen an der oberen Spulenabdeckung und entfernen Sie die untere Spulenabdeckungseinheit, indem Sie diese gerade herausziehen (Abb. T & U).
2. Entfernen Sie den Mähfaden aus der Spule.

3. Halten Sie mit einer Hand die untere Spulenabdeckung, greifen Sie mit der anderen Hand die untere Spulenabdeckungseinheit und richten Sie die Laschen an der oberen Spulenabdeckung an den Löchern der unteren Spulenabdeckungseinheit (Abb. V) aus. Drücken Sie die untere Spulenabdeckungseinheit mit Ihrer Handfläche nach unten, bis die Laschen in der oberen Spulenabdeckung einrasten.
4. Folgen Sie den Anweisungen im Abschnitt „AUSWECHSELN DES FADENS“, um den Mähfaden neu einzusetzen.

## WARTUNG

**⚠️ WARNUNG:** Verwenden Sie für die Wartung nur identische Ersatzteile. Prüfen und warten Sie das Gerät regelmäßig. Um die Sicherheit und Zuverlässigkeit zu gewährleisten, sollten alle Reparaturen nur von qualifizierten Servicetechnikern durchgeführt werden.

**⚠️ WARNUNG:** Akkubetriebene Werkzeuge müssen nicht an eine Steckdose angeschlossen werden; sie sind daher immer einsatzbereit. Um schwere Verletzungen zu vermeiden, seien Sie beim Warten, Reparieren oder Auswechseln des Schneidaufsatzes oder anderer Aufsätze besonders vorsichtig und treffen Sie besondere Sicherheitsvorkehrungen.

**⚠️ WARNUNG:** Um schwere Verletzungen zu verhindern, entfernen Sie den Akku aus dem Werkzeug, bevor Sie das Gerät warten, reinigen, Aufsätze auswechseln oder Schnittgut aus dem Gerät entfernen.

## REINIGEN DES GERÄTES

- Reinigen Sie das Gerät mithilfe eines feuchten Tuchs mit einem milden Reinigungsmittel.
- Verwenden Sie keine starken Reiniger auf dem Kunststoffgehäuse oder dem Griff. Sie können durch gewisse aromatische Öle, wie Pinie und Zitrone, sowie Lösungsmittel, wie z. B. Petroleum, beschädigt werden. Feuchtigkeit stellt zudem eine Stromschlaggefahr dar. Wischen Sie Feuchtigkeit mit einem weichen, trockenen Tuch ab.
- Reinigen Sie die Lüftungsschlitze am Motorgehäuse mit einer kleinen Bürste oder dem Luftstrom eines kleinen Staubsaugers.

## AUFBEWAHREN DES GERÄTES

Entfernen Sie den Akkusatz aus dem Fadenmäher, wenn er nicht benutzt wird.

Reinigen Sie das Werkzeug gründlich, bevor Sie es verstauen.

DE

1. Lagern Sie das Gerät an einem trockenen, gut belüfteten Bereich, der sich abschließen lässt oder hoch gelegen ist, wo es außer Reichweite von Kindern ist. Lagern Sie das Gerät nicht auf oder neben Düngemitteln, Benzin oder Chemikalien.
2. Schützen Sie die Umwelt
3. Entsorgen Sie elektronische Geräte, Ladegeräte und Batterien/Akkus nicht im Hausmüll!
4. Ziehen Sie die Dichtungsschraube nach dem Fetteinspritzen wieder fest.

### AUFBEWAHREN DES GERÄTES

- Nehmen Sie den Akku aus dem Rasentrimmer, wenn er nicht benutzt wird.
- Reinigen Sie das Werkzeug gründlich, bevor Sie es lagern.
- Lagern Sie das Gerät an einem trockenen, gut belüfteten Ort, der sich abschließen lässt oder hoch gelegen und für Kinder unerreichbar ist. Lagern Sie das Gerät nicht auf oder neben Düngemitteln, Benzin oder anderen Chemikalien.

### Schutz der Umwelt



Entsorgen Sie elektronische Geräte, Ladegeräte und Batterien/Akkus nicht im Hausmüll!

Gemäß der europäischen Rechtsnorm 2012/19/EG müssen elektrische und elektronische Geräte, die nicht mehr benutzt werden, separat gesammelt werden. Dasselbe trifft gemäß der europäischen Rechtsnorm 2006/66/EG auch auf defekte oder verbrauchte Batterien/Akkus zu.

Wenn elektrische Geräte auf Deponien oder Schutthalde entsorgt werden, dann können gefährliche Substanzen ins Grundwasser sickern und in die Nahrungskette übergehen, was Ihre Gesundheit und Ihr Wohlbefinden beeinträchtigen kann.



## STÖRUNGSBEHEBUNG

PROBLEM	URSACHE	LÖSUNG
Rasentrimmer lässt sich nicht starten.	<ul style="list-style-type: none"> <li>■ Der Akku ist nicht am Rasentrimmer angebracht.</li> <li>■ Rasentrimmer hält während des Trimmens an.</li> <li>■ Der Akku ist leer.</li> <li>■ Der Entriegelungsschalter und der Ein-/Aussschalter wurden nicht gleichzeitig gedrückt.</li> </ul>	<ul style="list-style-type: none"> <li>■ Akku am Rasentrimmer anschließen.</li> <li>■ Akku herausnehmen, Kontakte überprüfen und wieder anschließen.</li> <li>■ Akku aufladen.</li> <li>■ Halten Sie den Entriegelungsschalter gedrückt und drücken Sie dann den Auslöser, um den Rasentrimmer einzuschalten.</li> </ul>
Risse auf dem Mähkopf oder die untere Spulenabdeckungseinheit löst sich von der oberen Spulenabdeckung.	<ul style="list-style-type: none"> <li>■ Der Fadenschutz ist nicht am Rasentrimmer montiert. Der Faden ist zu lang und belastet den Motor zu stark.</li> <li>■ Der eingesetzte Nylonfaden ist zu schwer.</li> <li>■ Der Motorschaft oder der Mähkopf wird durch Gras blockiert.</li> <li>■ Der Motor ist überlastet.</li> <li>■ Der Akku oder der Rasentrimmer ist zu heiß.</li> <li>■ Akku ist nicht mit dem Werkzeug verbunden.</li> <li>■ Der Akku ist leer.</li> </ul>	<ul style="list-style-type: none"> <li>■ Entfernen Sie die Akku und montieren Sie den Fadenschutz am Trimmer.</li> <li>■ Verwenden Sie den empfohlenen Nylonmähfaden mit höchstens 2,4 mm Durchmesser.</li> <li>■ Stellen Sie den Rasentrimmer ab, entfernen Sie den Akku und beseitigen Sie das Gras am Motorschaft und am Mähkopf.</li> <li>■ Nehmen Sie den Mähkopf vom Rasen. Sobald sich die Belastung verringert, setzt der Motor seinen Betrieb wieder fort. Bewegen Sie den Mähkopf beim Schneiden in das Gras hinein und aus dem Gras heraus. Kürzen Sie dabei nicht mehr als 20 cm Länge mit einem Schnitt.</li> <li>■ Lassen Sie den Akku oder den Rasentrimmer unter 67° C abkühlen.</li> <li>■ Setzen Sie den Akku wieder ein.</li> <li>■ Akkusatz aufladen.</li> </ul>

PROBLEM	URSACHE	LÖSUNG
Mähkopf führt keinen Faden nach.	<ul style="list-style-type: none"> <li>■ Der Motorschaft oder der Mähkopf wird durch Gras blockiert.</li> <li>■ Gras wickelt sich um den Mähkopf und das Motorgehäuse.</li> <li>■ Risse auf dem Mähkopf oder die untere Spulenabdeckungseinheit löst sich von der oberen Spulenabdeckung.</li> <li>■ Der Mähfaden hat sich in der Spule verfangen.</li> <li>■ Der Faden ist zu kurz.</li> </ul>	<ul style="list-style-type: none"> <li>■ Stellen Sie den Rasentrimmer ab, reinigen Sie den Motorschaft und Mähkopf.</li> <li>■ Entfernen Sie den Akku und wechseln Sie den Mähfaden aus. Befolgen Sie dazu den Abschnitt „AUSWECHSELN DES FADENS“ in dieser Bedienungsanleitung.</li> <li>■ Entfernen Sie den Akkusatz und reinigen Sie den Mähkopf.</li> <li>■ Entfernen Sie den Akku, nehmen Sie den Faden aus dem Mähkopf und wickeln Sie ihn wieder auf. Befolgen Sie dazu den Abschnitt „AUSWECHSELN DES FADENS“ in dieser Bedienungsanleitung.</li> <li>■ Entfernen Sie den Akku und ziehen Sie mit der Hand am Faden. Drücken Sie abwechselnd den Mähkopf nach unten und lassen Sie ihn wieder los.</li> </ul>
Gras wickelt sich um den Mähkopf und das Motorgehäuse.	<ul style="list-style-type: none"> <li>■ Hohes Gras wird auf Bodenebene geschnitten.</li> </ul>	<ul style="list-style-type: none"> <li>■ Beim Mähen von hohem Gras ist zu beachten, dass in einem Durchgang nicht mehr als 20 cm gekürzt werden sollte, um das Herumwickeln von Gras zu vermeiden.</li> </ul>
Risse auf dem Mähkopf oder die untere Spulenabdeckungseinheit löst sich von der oberen Spulenabdeckung.	<ul style="list-style-type: none"> <li>■ Der Mähkopf ist abgenutzt.</li> </ul>	<ul style="list-style-type: none"> <li>■ Lassen Sie den Mähkopf unverzüglich durch einen qualifizierten Kundendiensttechniker austauschen.</li> </ul>

## GARANTIE

### EGO-GARANTIEBEDINGUNGEN

Sämtliche Bedingungen der EGO Garantie finden Sie auf der Website [egopowerplus.com](http://egopowerplus.com).

## LISEZ TOUTES LES INSTRUCTIONS !



### LISEZ LA NOTICE D'UTILISATION

**⚠ Risques résiduels !** Les personnes portant des appareils électroniques, par exemple des stimulateurs cardiaques, doivent consulter leur(s) médecin(s) avant d'utiliser ce produit. L'utilisation d'un équipement électrique près d'un stimulateur cardiaque peut provoquer des interférences ou la panne du stimulateur cardiaque.

**⚠ AVERTISSEMENT:** Pour garantir la sécurité et la fiabilité, toutes les réparations et tous les changements de pièce doivent être effectués par un réparateur qualifié.

## SYMBOLES DE SÉCURITÉ

L'objectif des symboles de sécurité est d'attirer votre attention sur des dangers potentiels. Les symboles de sécurité et les explications les accompagnant doivent être lus avec attention et compris. Les symboles de mise en garde ne permettent pas par eux-mêmes d'éliminer les dangers. Les consignes et mises en garde ne se substituent pas à des mesures de prévention appropriées des accidents.

**⚠ AVERTISSEMENT:** Avant d'utiliser cet outil, veillez à lire et à comprendre toutes les consignes de sécurité du guide d'utilisation, notamment tous les symboles d'alerte de sécurité comme « DANGER », « AVERTISSEMENT » et « MISE EN GARDE ». Ne pas respecter toutes les consignes listées ci-après peut provoquer un choc électrique, un incendie et/ou des blessures corporelles graves.

## SIGNIFICATION DES SYMBOLES

### SYMBOLE DE MISE EN GARDE DE SÉCURITÉ:

Indique un DANGER, un AVERTISSEMENT ou une PRÉCAUTION. Peut être utilisé en conjonction d'autres symboles ou pictogrammes.




**⚠ AVERTISSEMENT:** L'utilisation d'un outil électrique peut provoquer la projection d'objets étrangers dans vos yeux, ce qui peut provoquer des lésions oculaires graves. Avant de mettre un outil électrique en marche, portez toujours un masque de sécurité ou des

lunettes de sécurité avec boucliers latéraux, ou un masque facial intégral quand cela est nécessaire. Nous vous recommandons de porter un Masque de Sécurité à Vision Panoramique par-dessus des lunettes de vue ou des lunettes de sécurité standards avec boucliers latéraux.

## CONSIGNES DE SÉCURITÉ

Cette page décrit des symboles de sécurité pouvant être présents sur le produit. Lisez, comprenez et respectez toutes les instructions présentes sur l'outil avant d'essayer de l'assembler et de l'utiliser.

	Alerte de sécurité	Indique un risque potentiel de blessure corporelle.
	Lire le manuel d'utilisation	Pour réduire le risque de blessures, l'utilisateur doit lire et comprendre le manuel d'utilisation avant d'utiliser ce produit.
	Porter une protection oculaire	Toujours porter une protection auditive pendant l'utilisation de ce produit.
	Porter une protection auditive	Toujours porter une protection auditive pendant l'utilisation de ce produit.
	Sans lame de coupe	Ne pas installer de lame de coupe en métal ou plastique.
	Maintenir les autres personnes éloignées	Veiller à ce que les autres personnes et les animaux restent éloignés d'au moins 15 m du coupe-bordure pendant son utilisation.
	Maintenir les autres personnes éloignées	Veiller à ce que les autres personnes et les animaux restent éloignés d'au moins 15 m du coupe-bordure pendant son utilisation.
	Bruit	Niveau de pression acoustique
	Indice de protection	Protection contre les éclaboussures d'eau
V	Volts	Tension
mm	Millimètre	Longueur ou taille

cm	Centimètre	Longueur ou taille
	Courant continu	Type ou caractéristique du courant
$n_0$	Régime à vide	Vitesse de rotation sans charge
min <sup>-1</sup>	Par minute	Tours par minute

## CONSIGNES DE SÉCURITÉ IMPORTANTES

**⚠ AVERTISSEMENT!** Lors de l'utilisation de coupe-bordures électriques, les consignes de sécurité fondamentales doivent toujours être observées afin de réduire le risque d'incendie, de décharge électrique et de blessure :

### LISEZ TOUTES LES INSTRUCTIONS

**⚠ DANGER !** Ne comptez pas uniquement sur l'isolation de l'outil pour vous protéger des chocs électriques. Pour réduire le risque d'électrocution, n'utilisez jamais l'outil à proximité de câble ou de fils, car ils peuvent être parcourus par un courant électrique.

**⚠ ATTENTION :** Portez une protection auditive individuelle appropriée pendant l'utilisation. Dans certaines conditions et durées d'utilisation, le bruit généré par ce produit peut contribuer à une perte d'acuité auditive.

### ENTRAÎNEMENT

- Lisez attentivement le manuel d'utilisation. Familiarisez-vous avec les commandes et l'utilisation correcte de l'outil.
- Ne laissez jamais des enfants ou des personnes non familiarisées avec les présentes instructions utiliser l'outil. Les réglementations locales peuvent définir un âge minimal pour l'opérateur.
- Gardez à l'esprit que l'utilisateur ou l'opérateur est responsable des accidents ou dangers causés à autrui ou à la propriété d'autrui.

### PRÉPARATION

- N'utilisez jamais l'outil si des personnes, notamment des enfants, ou des animaux de compagnie sont à proximité.
- Portez en permanence des protections oculaires et des chaussures robustes pendant l'utilisation de l'outil.
- La distance entre l'outil et les autres personnes doit être de 15 m au minimum.
- N'utilisez pas de lames métalliques.

## UTILISATION

- Utilisez l'outil exclusivement à la lumière du jour ou sous une lumière artificielle suffisante.
- N'utilisez jamais l'outil si ses boucliers/dispositifs de protection ne sont pas assemblés ou sont endommagés.
- Mettez le moteur en marche uniquement quand vos mains et pieds sont éloignés des accessoires de coupe.
- Débranchez toujours l'outil de l'alimentation électrique (c.-à-d. débranchez sa fiche de la prise électrique ou enlevez le dispositif coupe-circuit)
  - Chaque fois que vous laissez l'outil sans surveillance.
  - Avant d'éliminer un bourrage.
  - Avant d'inspecter, de nettoyer ou de travailler sur l'outil.
  - Après avoir percuté un objet étranger.
  - Si l'outil se met à vibrer anormalement.
- Prenez garde à ce que vos pieds et vos mains ne soient pas blessés par les pièces de coupe.
- Veillez à ce que les ouïes de ventilation ne soient jamais bouchées par des débris.
- Entretien et stockage Débranchez l'outil de l'alimentation électrique (c'est-à-dire débranchez sa fiche de la prise électrique ou retirez le dispositif coupe-circuit) avant d'effectuer une opération d'entretien ou de nettoyage. Utilisez exclusivement les pièces et accessoires de rechange recommandés par le fabricant. Inspectez et entretenez l'outil régulièrement. Faites réparer l'outil exclusivement par un réparateur agréé. Rangez l'outil hors de portée des enfants quand vous ne l'utilisez pas.

## CONSIGNES DE SÉCURITÉ COMPLÉMENTAIRES

- Évitez les environnements dangereux – N'utilisez pas les taille-bordures dans les endroits mouillés et détrempés.
- Éteignez toujours l'outil et retirez sa batterie avant de le laisser sans surveillance.
- N'utilisez pas l'outil sous la pluie.
- Maintenez les enfants éloignés – Tous les visiteurs doivent être maintenus éloignés de l'aire de travail.
- Soyez correctement vêtu – Ne portez pas de vêtement ample ni de bijou. Ils peuvent se prendre dans les pièces mobiles. Il est recommandé de porter des chaussures solides et des gants en caoutchouc lorsque le travail est effectué en extérieur. Portez un couvre-chef protecteur pour maintenir les cheveux longs.
- Portez des lunettes de protection : portez toujours des lunettes de protection pendant l'utilisation de l'outil.
- Utilisez l'outil approprié – N'utilisez pas l'outil à un travail autre que celui pour lequel il a été conçu.

- Ne forcez pas l'outil – L'outil effectuera un travail de meilleure qualité avec un risque de blessure moindre s'il est utilisé au rythme pour lequel il a été conçu.
- N'essayez pas d'atteindre des endroits difficiles à atteindre – Ayez toujours des appuis des pieds solides et conservez constamment un bon équilibre.
- Soyez toujours sur vos gardes – Regardez ce que vous êtes en train de faire. Faites preuve de bon sens. N'utilisez pas l'outil quand vous êtes fatigué.
- N'utilisez pas l'outil quand vous êtes sous l'influence de l'alcool ou de stupéfiants.
- Les dispositifs de protection doivent toujours être assemblés et en bon état de marche.
- Rangez le taille-bordure en intérieur – Quand l'outil n'est pas utilisé, il doit être rangé en intérieur dans un endroit en hauteur ou fermé à clé avec sa batterie retirée – hors de portée des enfants.
- Entretenez le taille-bordure avec soin – Veillez à ce que les accessoires de coupe restent propres afin d'optimiser les performances et de réduire le risque de blessures. Respectez les instructions de changement des accessoires. Veillez à ce que les poignées restent propres, sèches et exemptes d'huile et de graisse.
- Inspectez les pièces endommagées – Avant toute utilisation supplémentaire de l'outil, tout dispositif de protection ou toute autre pièce endommagée doit être minutieusement inspecté pour déterminer s'il fonctionnera normalement et pourra remplir la fonction pour laquelle il est prévu. Contrôlez l'outil pour vérifier qu'aucune pièce mobile n'est coincée ou mal alignée, qu'aucune pièce n'est cassée, et pour tout autre problème qui pourrait nuire à son fonctionnement. Si une protection ou une autre pièce est endommagée, elle doit être correctement réparée par un centre de réparation agréé, sauf indication contraire de ce manuel d'utilisation.
- Nettoyez la zone à couper avant chaque utilisation. Retirez tous les objets pouvant s'emmêler dans les accessoires de coupe ou être projetés, par exemple les pierres, les morceaux de verre, les clous, les fils métalliques, les ficelles. Veillez à ce que les autres personnes et les animaux restent éloignés d'au moins 15 m.
- Avant chaque utilisation et après chaque impact, inspectez l'appareil pour vérifier qu'il n'est ni usé ni endommagé. Faites-le réparer si nécessaire.
- Tenez toujours l'outil fermement avec vos deux mains tenant ses poignées pendant l'utilisation. Enroulez vos doigts et votre pouce autour des poignées.
- Évitez les démarrages accidentels – Ne portez pas l'outil avec vos doigts sur son interrupteur marche/arrêt.
- N'utilisez pas l'outil dans les atmosphères explosives ni celles où il peut y avoir des vapeurs d'essence. Les moteurs de ces outils produisent des étincelles pouvant enflammer les vapeurs.
- Détérioration du taille-bordure – Si vous percutez un objet étranger avec l'outil ou s'il s'emmêle dedans, éteignez l'outil immédiatement, retirez la batterie de l'outil, inspectez-le pour vérifier qu'il n'est pas endommagé et faites réparer toute détérioration avant d'essayer de réutiliser l'outil. N'utilisez pas l'outil avec un dispositif de protection ou une bobine cassé.
- Si l'outil commence à vibrer anormalement, éteignez son moteur, retirez la batterie de l'outil et inspectez immédiatement l'outil pour en trouver la cause. Les vibrations indiquent généralement qu'il y a un problème. Une tête desserrée peut vibrer, se fissurer, casser ou se désolidariser de l'outil, ce qui peut provoquer des blessures graves ou mortelles. Vérifiez que l'accessoire de coupe est correctement fixé en position. Si la tête se desserre après avoir été fixée en position, remplacez-la immédiatement. N'utilisez jamais l'outil avec un accessoire de coupe desserré.
- Remplacez immédiatement la tête de coupe si elle est fissurée, endommagée ou usée, même si la détérioration se limite à des fissures superficielles. De tels accessoires peuvent se briser à haute vitesse et provoquer des blessures graves ou mortelles.
- Inspectez l'accessoire de coupe à intervalles courts et réguliers pendant l'utilisation ou immédiatement si vous constatez un changement notable dans son comportement de coupe.
- Utilisez exclusivement des fils de coupe en polymère autorisés EGO™ et des fils de coupe conçus pour être utilisés avec cet outil. Bien que certains accessoires autorisés puissent être assemblés sur le taille-bordure EGO™, leur utilisation peut être extrêmement dangereuse et/ou peut provoquer la détérioration de l'outil.
- Pour réduire le risque de blessures graves, n'utilisez jamais de fil métallique, de fil à renfort métallique, ni de fil constitué d'un matériau autre que du nylon. Utilisez exclusivement des fils de coupe en nylon. Des morceaux de fil pourraient se détacher et être projetés à haute vitesse vers l'opérateur et les autres personnes présentes.
- Pour réduire le risque de blessures dues à la perte de contrôle de l'outil, ne travaillez jamais sur une échelle ni sur aucun autre support non sûr. Ne positionnez jamais l'accessoire de coupe plus haut que votre taille.
- Si des situations non couvertes par ce manuel se produisent, faites preuve de prudence et de bon sens. Contactez le centre de réparation EGO pour lui demander conseil.

- Ne rechargez pas la batterie sous la pluie ni dans les endroits mouillés.
- Utilisez exclusivement les batteries et chargeurs EGO.

BATTERIE	CHARGEUR
BA1120E, BA1400, BA2240E BA2800, BA3360, BA4200, BA1400T, BA2800T, BA4200T	CH2100E, CH5500E

- La batterie doit être retirée de l'outil avant la mise au rebut.
- La batterie doit être mise au rebut d'une manière sûre.
- Ne jetez pas la batterie dans un feu pour vous en débarrasser. Les batteries/accumulateurs peuvent exploser. Consultez les réglementations locales pour connaître d'éventuelles consignes spécifiques de mise au rebut.
- N'ouvrez pas la batterie et ne la modifiez pas. L'électrolyte sortant des batteries est corrosif et peut blesser les yeux et la peau. Il peut être toxique s'il est avalé.
- Faites attention lors de la manipulation des batteries pour éviter de les court-circuiter avec des matériaux conducteurs, par exemple des bagues, des bracelets ou des clés. La batterie ou le conducteur peut surchauffer et provoquer des brûlures.
- Les réparations ne doivent être effectuées qu'avec des pièces de rechange EGO™ identiques. L'utilisation de tout autre accessoire peut accroître le risque de blessure.
- Les outils alimentés par batterie n'ont pas à être branchés dans une prise électrique, ils sont donc toujours prêts à fonctionner. Prenez garde aux dangers potentiels même quand l'outil n'est pas en fonctionnement. Faites attention pendant l'entretien ou la réparation.
- Ne lavez pas l'outil avec un tuyau. Veillez à ce que de l'eau ne pénètre pas dans le moteur ni sur les connexions électriques.
- Conservez ce manuel d'utilisation. Consultez-le fréquemment et servez-vous-en pour instruire les autres personnes devant utiliser cet outil. Si vous prêtez cet outil à un tiers, prêtez-lui également ce manuel d'utilisation pour éviter l'utilisation incorrecte du produit et des blessures potentielles.
- Pendant l'utilisation de l'outil, portez toujours un pantalon long et des chaussures résistants.
- Soyez toujours sûr de vos appuis sur les pentes, et marchez, ne courez jamais.

## SPÉCIFICATIONS

Tension	56 V	
Régime à vide	5000/6000 min <sup>-1</sup>	
Mécanisme de coupe	Tête à avancement par frappe	
Type de fil de coupe	Fil torsadé en nylon 2,4 mm	
Largeur de coupe	38 cm	
Poids (sans la batterie)	4,21 kg	
Niveau de pression acoustique au niveau des oreilles de l'opérateur L <sub>pa</sub>	94,3 dB(A) K=1,37 dB(A)	
Niveau de puissance acoustique garanti L <sub>wa</sub> selon 2000/14/CE)	82,6 dB(A) K= 3 dB(A)	
Guaranteed sound power level L <sub>wa</sub> (according to 2000/14/EC)	96 dB(A)	
Vibrations a <sub>n</sub>	Poignée arrière	3,97 m/s <sup>2</sup> K=1,5 m/s <sup>2</sup>
	Poignée auxiliaire avant	2,78 m/s <sup>2</sup> K=1,5 m/s <sup>2</sup>

## CONTENU DE L'EMBALLAGE

NOM DE PIÈCE	QUANTITÉ
Coupe-bordure	1
Capot de protection	1
Poignée auxiliaire avant	1
Clé à six pans	1
Clé multifonctions	1
Sangle d'épaule	1
Manuel d'utilisation	1

## DESCRIPTION

### DESCRIPTION DE VOTRE COUPE-BORDURE (Image A)

1. Anneau du manche
2. Interrupteur-gâchette
3. Poignée arrière
4. Entrée d'air
5. Bouton de déverrouillage
6. Bouton de vitesse
7. Boucle d'accrochage de la sangle d'épaule

CONSERVEZ CE MANUEL D'UTILISATION !

# 30

8. Poignée auxiliaire avant réglable
9. Sangle d'épaule
10. Clé multifonctions
11. Clé à six pans
12. Tête de coupe (tête à avancement par frappe)
13. Fil de coupe
14. Languette de déblocage
15. Lame pour fil de coupe
16. Capot de protection
17. Mécanisme d'éjection
18. Contacts électriques
19. Verrou
20. Protection en caoutchouc
21. Bouton d'éjection de la batterie

## MONTAGE

**⚠ AVERTISSEMENT:** Si une ou plusieurs pièces sont manquantes ou endommagées, n'utilisez pas cet outil tant que toutes les pièces n'ont pas été remplacées. Utiliser cet outil avec des pièces endommagées ou manquantes peut provoquer des blessures corporelles graves.

**⚠ AVERTISSEMENT:** N'essayez jamais de modifier cet outil ni de créer des accessoires non recommandés pour être utilisés avec cet outil. De tels modifications et changements constituent un usage impropre et peuvent engendrer des situations dangereuses pouvant provoquer des blessures corporelles graves.

**⚠ AVERTISSEMENT:** Pour prévenir un démarrage accidentel pouvant provoquer des blessures corporelles graves, retirez toujours la batterie de l'outil avant d'assembler des pièces.

### ASSEMBLER LE CAPOT DE PROTECTION

**⚠ AVERTISSEMENT:** Portez toujours des gants pour assembler ou remplacer le capot de protection. Prenez garde à la lame du capot de protection et protégez votre main pour éviter de vous couper.

**⚠ AVERTISSEMENT:** N'utilisez jamais l'outil sans son capot de protection solidement assemblé. Le capot de protection doit toujours être assemblé sur l'outil pour protéger l'utilisateur ! Une fois que le capot de protection a été fixé, n'essayez jamais de le démonter ou de le régler. S'il doit être remplacé, cela doit être fait par un réparateur qualifié !

1. Desserrez et retirez les deux vis du capot de protection (Image B).
2. Alignez les trous de fixation du capot de protection sur les trous de la pièce, puis verrouillez le capot sur la base du manche avec les deux vis et deux rondelles à ressort (Image C).

**REMARQUE:** Vérifiez que le capot de protection est fixé comme indiqué sur sur les images B et C, un montage inversé est très dangereux !

### INSTALLATION ET RÉGLAGE DE LA POIGNÉE AUXILIAIRE AVANT

1. Desserrez le levier de verrouillage sur la poignée auxiliaire avant et retirez-le en même temps que l'écrou papillon (Image D).

Image D - Description des pièces ci-dessous :

D-1	Levier de verrouillage	D-3	Bloc de fixation
D-2	Poignée auxiliaire avant	D-4	Écrou papillon

2. Insérez la poignée auxiliaire avant sur le manche (Image E).
3. Glissez le bloc de fixation sur la fente située sur le manche (Image F).
4. Installez le levier de verrouillage et serrez-le à l'aide de l'écrou papillon. La poignée auxiliaire avant doit être tournée vers le haut et dirigée vers le haut de la poignée arrière (Image G).
5. Réglez la poignée auxiliaire avant entre l'anneau du manche et l'étiquette pour vous assurer que votre bras à l'avant est bien tendu pendant l'utilisation (Image F).
6. Abaissez le levier de verrouillage pour le bloquer (Image I).

**REMARQUE:** La poignée auxiliaire avant doit être tournée vers le haut et dirigée vers le haut de la poignée arrière.

**⚠ AVERTISSEMENT:** La poignée auxiliaire avant doit uniquement être fixée à égale distance de l'anneau du manche et de l'étiquette du manche.

**⚠ AVERTISSEMENT:** L'outil ne peut pas être utilisé sans la poignée auxiliaire avant solidement fixée.

### ATTACHER LA SANGLE D'ÉPAULE

Appuyez sur le crochet de la sangle pour l'ouvrir et attachez-le à la boucle d'accrochage de la sangle d'épaule (Image J).

## FONCTIONNEMENT

FR

**⚠ AVERTISSEMENT:** Veillez à ne pas devenir moins prudent au fur et à mesure que vous vous familiarisez avec cet outil. Gardez à l'esprit qu'une fraction de seconde d'inattention peut suffire pour provoquer des blessures graves.

**⚠ AVERTISSEMENT:** Portez toujours des lunettes ou un masque de sécurité pourvus de protections latérales, en plus d'une protection auditive, sans quoi des objets pourraient être projetés dans les yeux et provoquer d'autres blessures potentiellement graves.

**⚠ AVERTISSEMENT:** N'utilisez aucun accessoire ou pièce non recommandé par le fabricant de ce produit. L'utilisation d'accessoires ou de pièces non recommandés peut provoquer des blessures corporelles graves.

**⚠ AVERTISSEMENT:** Pour éviter des blessures corporelles graves, retirez la batterie de l'outil avant toute opération de réparation, nettoyage, changement d'accessoires ou de retrait de matières de l'outil.

Vous pouvez utiliser cet outil pour les usages listés ci-dessous :

**Débroussaillage:** pour couper le gazon et les mauvaises herbes contre des murs, des barrières ou des arbres et tondre des bordures.

**Tonte:** pour couper le gazon difficile à atteindre avec une tondeuse classique.

**REMARQUE:** L'outil ne doit être utilisé qu'à sa finalité prévue. Tout autre usage, par exemple tailler des haies, est considéré inapproprié.

### INSÉRER/RETIRER LA BATTERIE

**Rechargez complètement la batterie avant la première utilisation.**

#### Insertion

Alignez les arêtes de la batterie sur les rainures d'assemblage et poussez la batterie vers le bas jusqu'à entendre un déclic (Image K).

#### Retrait

Appuyez sur le bouton d'éjection de la batterie et tirez la batterie hors de l'outil comme indiqué sur l'Image L.

Image L - Description des pièces ci-dessous :

L-1	Bouton d'éjection de la batterie
-----	----------------------------------

### TENIR LE COUPE-BORDURE

**⚠ AVERTISSEMENT:** Quand vous utilisez cet outil, portez une tenue appropriée pour réduire le risque de blessures. Ne portez pas de vêtement ample ni de bijou ! Porter des protections oculaires et auditives. Portez toujours des gants, des bottes et des pantalons longs et épais. Ne portez pas de shorts ni de sandales et n'utilisez pas l'outil pieds nus.

Avant utilisation, mettez-vous dans la position d'utilisation et vérifiez que vous portez une protection oculaire, des vêtements appropriés, que vous avez des appuis des pieds équilibrés et que votre bras tenant la poignée auxiliaire avant est droit.

**REMARQUE:** La tête de coupe est parallèle au sol à une distance de coupe appropriée sans que l'opérateur ne soit penché (Image N).

Pour améliorer et sécuriser l'utilisation, placez la sangle d'épaule sur l'épaule comme indiqué sur l'image N. Réglez la sangle d'épaule dans une position confortable pendant l'utilisation. Tenez le coupe-bordure à deux mains : Une main sur la poignée arrière et l'autre main sur la poignée auxiliaire avant.

Il y a deux manières de défaire la sangle. Retirez-la directement de votre épaule (Image O) ou appuyez sur le crochet de la sangle et détachez-le de la boucle d'accrochage sur le manche (Image P).

**⚠ AVERTISSEMENT:** La sangle d'épaule est aussi un mécanisme de retrait rapide en cas de situation dangereuse. En cas d'urgence, retirez-la immédiatement de votre épaule, quelle que soit la manière dont elle est portée.

### DÉMARRER ET ÉTEINDRE LE COUPE-BORDURE (Image M)

#### Allumer l'outil

Appuyez sur le bouton de déverrouillage, puis appuyez sur la gâchette. Différents niveaux de pression sur la gâchette produisent différentes

vitesse de rotation du fil de coupe. Plus vous appuyez, plus la vitesse est rapide.



## Arrêter l'outil

Relâchez l'interrupteur-gâchette.

REMARQUE: Le moteur ne marche que lorsque le bouton de déverrouillage et la gâchette sont tous les deux enfoncés.

**⚠ AVERTISSEMENT:** Retirez toujours la batterie du coupe-bordure pendant les pauses durant le travail et après avoir terminé le travail.

## Fonction de réglage de la vitesse (Image M)

Le coupe-bordure dispose de deux vitesses. La position « 1 » correspond à une vitesse faible et la position « 2 » à une vitesse élevée. Poussez ou tirez le bouton de vitesse pour choisir la vitesse appropriée pendant l'utilisation.

Image M - Description des pièces ci-dessous :

M-1	Bouton de vitesse
M-2	Bouton de déverrouillage
M-3	Interrupteur-gâchette

## UTILISER LE COUPE-BORDURE

**⚠ AVERTISSEMENT:** Pour éviter des blessures corporelles graves, portez en permanence des lunettes de sécurité ou un masque pendant l'utilisation de cet outil. Portez un masque facial ou un masque à poussière dans les endroits poussiéreux.

Nettoyez la zone à couper avant chaque utilisation. Retirez tous les objets pouvant s'em mêler dans les accessoires de coupe ou être projetés, par exemple les pierres, les morceaux de verre, les clous, les fils métalliques, les ficelles. Veillez à ce qu'il n'y ait aucune autre personne, aucun enfant, ni aucun animal dans l'aire de travail. Veillez à ce que tous les enfants, toutes les autres personnes et tous les animaux soient toujours à plus de 15 mètres de l'outil en fonctionnement, car il y a un risque de projection d'objets. Il faut insister pour que les autres personnes présentes portent une protection oculaire. Si une personne s'approche de vous, éteignez immédiatement le moteur et l'accessoire de coupe.

### Avant chaque utilisation, inspectez l'outil pour détecter des pièces usées ou endommagées

Inspectez la tête de frappe, le capot de protection, la poignée auxiliaire avant, et remplacez les pièces fissurées, voilées, tordues ou présentant une autre détérioration.

La lame de coupe du fil présente sur le bord du capot de protection s'use avec le temps. Il est recommandé de l'affûter régulièrement avec une lime ou de la remplacer par une lame neuve.

**⚠ AVERTISSEMENT:** Portez toujours des gants pour assembler le capot de protection ou entretenir la lame. Prenez garde à la lame du capot de protection et protégez votre main pour éviter de vous couper.

### Après chaque utilisation, nettoyez l'outil.

**ATTENTION:** Si les ouïes de ventilation sont bouchées, cela empêchera l'air de circuler dans le boîtier du moteur, ce qui peut provoquer la surchauffe et la détérioration du moteur.

- Nettoyez l'outil exclusivement avec un chiffon humide et du savon doux. Veillez à ce qu'aucun liquide ne pénètre jamais dans l'outil. N'immergez jamais aucune partie de l'outil dans un liquide.
- Veillez à ce que les ouïes de ventilation du boîtier du moteur soient toujours exemptes de débris.

**⚠ AVERTISSEMENT:** N'utilisez jamais d'eau pour nettoyer votre outil. N'utilisez pas de solvant pour nettoyer les pièces en plastique. La plupart des plastiques peuvent être détériorés par de nombreux types de solvants vendus dans le commerce. Utilisez des chiffons propres pour enlever les saletés, les poussières, l'huile, la graisse, etc.

## RÉGLER LA LONGUEUR DU FIL DE COUPE

La tête de coupe permet à l'opérateur d'allonger le fil de coupe sans éteindre le moteur. Quand le fil de coupe est usé ou effiloché, vous pouvez l'allonger en frappant légèrement la tête de coupe sur le sol pendant que l'outil est en marche (Image Q).

**REMARQUE:** L'allongement du fil de coupe devient plus difficile au fur et à mesure qu'il se raccourcit.

**⚠ AVERTISSEMENT:** Ne retirez pas et ne modifiez pas l'assemblage de la lame de coupe du fil. Si la longueur du fil de coupe est excessive, cela peut provoquer la surchauffe du moteur et des blessures corporelles graves.

## CHANGER LE FIL DE COUPE

**REMARQUE:** Utilisez toujours le fil de coupe en nylon recommandé d'un diamètre ne dépassant pas 2,4 mm. Utiliser un fil de coupe autre que celui spécifié peut provoquer la surchauffe ou la détérioration du coupe-bordure.

**⚠ AVERTISSEMENT:** N'utilisez jamais de corde, de fil métallique, de fil à renfort métallique, etc., car ils peuvent se casser et devenir des projectiles dangereux.

1. Retirez la batterie.
2. Retirez le fil de coupe restant, si nécessaire.
3. Préparez un fil de coupe d'une longueur de 4 m. Insérez le fil dans les trous d'assemblage des œilletons (Image R). Poussez le fil et tirez-le de l'autre côté jusqu'à ce qu'il y ait une longueur de fil identique de chaque côté de la bobine.
4. Appuyez, tout en tournant le boîtier inférieur dans le sens de la flèche, pour enrouler le fil sur la bobine jusqu'à ce que 14 cm environ de fil dépassent de chaque côté (Image S).
5. Appuyez sur le boîtier inférieur tout en tirant les extrémités du fil pour les faire sortir manuellement et contrôler le bon assemblage de la tête de coupe.

Si le fil de coupe casse au niveau du trou de sortie ou s'il n'est pas libéré quand la tête de coupe est frappée, procédez comme suit :

1. Appuyez sur les languettes de déblocage du boîtier supérieur et retirez le boîtier inférieur en le tirant en ligne droite vers l'extérieur (Images T et U).
2. Retirez le fil de coupe de la bobine.
3. Tenez le boîtier inférieur d'une main et alignez les languettes du boîtier supérieur sur les trous du boîtier inférieur (Image V). Enfoncez le boîtier inférieur avec la paume de la main jusqu'à ce que les languettes se verrouillent sur le boîtier supérieur.
4. Pour recharger le fil de coupe, effectuez la procédure « CHANGER LE FIL DE COUPE ».

## ENTRETIEN

**⚠ AVERTISSEMENT :** L'outil ne doit être réparé qu'avec des pièces de rechange identique. Inspectez et entretenez l'outil régulièrement. Pour garantir la sécurité et la fiabilité, toutes les réparations doivent être effectuées par un réparateur qualifié.

**⚠ AVERTISSEMENT :** Les outils alimentés par batterie n'ont pas à être branchés dans une prise électrique, ils sont donc toujours prêts à fonctionner. Pour éviter des blessures corporelles graves, faites extrêmement attention lors de l'entretien et de la réparation de l'outil et lors du changement de l'accessoire de coupe ou d'autres accessoires.

**⚠ AVERTISSEMENT :** Pour éviter les blessures corporelles graves, retirez la batterie de l'outil avant de le réparer, de le nettoyer, de changer un accessoire ou d'enlever des matières de l'outil.

## NETTOYER L'OUTIL

- Nettoyez l'outil avec un chiffon humide et un détergent doux.
- N'utilisez pas de détergent puissant sur le boîtier en plastique ou sur la poignée, car ils peuvent être endommagés par certaines huiles aromatiques, par exemple de pin et de citron, et par les solvants, par exemple l'essence. L'humidité peut également générer un risque de choc électrique. Essuyez les traces d'humidité avec un chiffon doux et sec.
- Avec une petite brosse ou un petit aspirateur, nettoyez les ouies de ventilation du boîtier arrière.

## LUBRIFICATION DES ENGRENAGES DE TRANSMISSION

Les engrenages de transmission dans le boîtier d'engrenage doivent être lubrifiés régulièrement avec de la graisse à engrenage. Contrôlez le niveau de graisse dans le boîtier d'engrenage toutes les 50 h d'utilisation en retirant la vis d'étanchéité sur le côté du boîtier.

Si vous ne voyez pas de graisse sur les flancs des engrenages, procédez comme suit pour remplir le boîtier de graisse jusqu'au 3/4 de sa capacité. Ne remplissez pas complètement les engrenages de transmission.

1. Posez le coupe-bordure sur son flanc en sorte que la vis d'étanchéité soit vers le haut (Image W).
2. Utilisez la clé multifonctions fournie pour desserrer et retirer la vis d'étanchéité.
3. Avec une seringue à graisse (non fournie), injectez de la graisse dans le trou de vis sans dépasser les 3/4 de la capacité.
4. Revissez complètement la vis d'étanchéité après l'injection.

## RANGER L'OUTIL

- Retirez la batterie du coupe-bordure quand vous ne l'utilisez pas.
- Nettoyez soigneusement et intégralement l'outil avant de le ranger.
- Rangez l'outil dans un endroit sec, bien aéré, fermé à clé ou en hauteur, et hors de portée des enfants. Ne rangez pas l'outil sur ou à côté d'engrais, d'essence ou d'autres substances chimiques.

### Protection de l'environnement



Ne jetez pas les équipements électriques, les chargeurs de batterie, les batteries rechargeables et les piles avec les ordures ménagères !

Conformément à la directive européenne 2012/19/UE, les équipements électriques et électroniques qui ne sont plus utilisables, et conformément à la directive européenne 2006/66/CE, les batteries rechargeables et les piles usagées ou défectueuses doivent être collectés séparément.

Si les appareils électriques sont jetés dans des décharges ou des dépôts d'ordures, des substances dangereuses peuvent s'infiltrer jusque dans la nappe phréatique et entrer dans la chaîne alimentaire, avec un effet néfaste sur votre santé et votre bien-être. Dans la nappe phréatique et rentrer dans la chaîne alimentaire, ce qui est néfaste pour votre santé et votre bien-être.

## DÉPANNAGE

FR

PROBLÈME	CAUSE	SOLUTION
Le coupe-bordure ne s'allume pas	<ul style="list-style-type: none"> <li>■ La batterie n'est pas insérée dans le coupe-bordure.</li> <li>■ Il n'y a pas de contact électrique entre l'outil et la batterie.</li> <li>■ La batterie est déchargée.</li> <li>■ Le bouton de déverrouillage et l'interrupteur-gâchette ne sont pas tous les deux enfoncés.</li> </ul>	<ul style="list-style-type: none"> <li>■ Insérez la batterie dans le coupe-bordure.</li> <li>■ Retirez la batterie, inspectez les contacts, puis réinsérez la batterie.</li> <li>■ Rechargez la batterie.</li> <li>■ Appuyez sur le bouton de déverrouillage et maintenez-le enfoncé, puis appuyez sur l'interrupteur-gâchette pour allumer le coupe-bordure.</li> </ul>
Le coupe-bordure s'arrête pendant la coupe.	<ul style="list-style-type: none"> <li>■ Le capot de protection n'est pas assemblé sur l'outil, ce qui provoque une longueur excessive du fil de coupe et la surcharge du moteur.</li> <li>■ Un fil de coupe trop épais est utilisé.</li> <li>■ L'arbre du moteur ou la tête de coupe est bloqué par de l'herbe.</li> <li>■ Le moteur est en surcharge.</li> <li>■ La batterie ou le coupe-bordure est trop chaud.</li> <li>■ La batterie est déconnectée de l'outil.</li> <li>■ La batterie est déchargée.</li> </ul>	<ul style="list-style-type: none"> <li>■ Retirez la batterie, puis assemblez le capot de protection sur l'outil.</li> <li>■ Utilisez le fil de coupe en nylon recommandé d'un diamètre ne dépassant pas 2,4 mm.</li> <li>■ Éteignez l'outil, retirez la batterie, puis retirez l'herbe de l'arbre du moteur et de la tête de coupe.</li> <li>■ Retirez la tête de coupe de l'herbe. Le moteur retrouve un fonctionnement normal dès que la charge est retirée. Pendant la coupe, déplacez la tête de coupe dans et hors de l'herbe à couper, et ne coupez pas une longueur supérieure à 20 cm en un seul passage.</li> <li>■ Laissez la batterie et l'outil refroidir jusqu'à ce que sa température devienne inférieure à 67 °C.</li> <li>■ Réinstallez la batterie.</li> <li>■ Rechargez la batterie.</li> </ul>

PROBLÈME	CAUSE	SOLUTION
La tête de coupe ne fait pas avancer le fil de coupe.	<ul style="list-style-type: none"> <li>■ L'arbre du moteur ou la tête de coupe est bloqué par de l'herbe.</li> <li>■ Il n'y a pas assez de fil de coupe sur la bobine.</li> <li>■ La tête de coupe est sale.</li> <li>■ Le fil de coupe est emmêlé sur la bobine.</li> <li>■ Le fil de coupe est trop court.</li> </ul>	<ul style="list-style-type: none"> <li>■ Éteignez l'outil, retirez la batterie, puis retirez l'herbe de l'arbre du moteur et de la tête de coupe.</li> <li>■ Retirez la batterie et changez le fil de coupe. Pour cela, consultez le chapitre « CHANGER LE FIL DE COUPE » de ce manuel d'utilisation.</li> <li>■ Retirez la batterie, puis retirez l'herbe de la tête de coupe.</li> <li>■ Retirez la batterie, enlevez le fil de coupe de la tête de coupe, puis rembobinez-le. Pour cela, consultez la partie « CHANGER LE FIL DE COUPE » de ce manuel d'utilisation.</li> <li>■ Retirez la batterie, puis tirez les extrémités du fil de coupe en appuyant et en relâchant la tête de coupe de manière alternée.</li> </ul>
La tête de coupe ne fait pas avancer le fil de coupe.	<ul style="list-style-type: none"> <li>■ Vous coupez de l'herbe haute au ras du sol.</li> </ul>	<ul style="list-style-type: none"> <li>■ Coupez les herbes hautes de haut en bas en coupant 20 cm au maximum à chaque passage pour éviter que l'herbe ne s'enroule.</li> </ul>
La tête de coupe est fissurée ou le boîtier inférieur est détaché du boîtier supérieur.	<ul style="list-style-type: none"> <li>■ La tête de coupe est usée.</li> </ul>	<ul style="list-style-type: none"> <li>■ Faites immédiatement remplacer la tête de coupe par un réparateur qualifié.</li> </ul>

## GARANTIE

### POLITIQUE DE GARANTIE EGO

Consultez le site Web [egopowerplus.com](http://egopowerplus.com) pour connaître les conditions générales de la politique de garantie EGO.

## ¡LEA TODAS LAS INSTRUCCIONES!



**LEA EL MANUAL DEL USUARIO**

ES

**⚠ ¡Riesgo residual!** Aquellas personas con implantes electrónicos, tales como marcapasos, deberán consultar a su médico antes de utilizar este producto. La utilización de equipos eléctricos a proximidad de un marcapasos podría causar en este interferencias o averías.

**⚠ ADVERTENCIA:** Para garantizar la seguridad y fiabilidad de la herramienta, confíe cualquier reparación y sustitución de piezas que sea necesaria a personal técnico cualificado.

## SÍMBOLOS RELACIONADOS CON LA SEGURIDAD

El propósito de los símbolos de seguridad es el de atraer su atención hacia los posibles peligros que conlleva la utilización del producto. Los símbolos de seguridad y las explicaciones que los acompañan requieren su máxima atención y comprensión. Por sí solos, los símbolos de advertencia no eliminan los posibles peligros que pudieran existir. Las instrucciones y advertencias que aquí se incluyen no son sustitutas en modo alguno de las medidas de prevención adecuadas que deben tomarse para evitar posibles accidentes.

**⚠ ADVERTENCIA:** Antes de utilizar esta herramienta, asegúrese de haber leído y entendido perfectamente todas las instrucciones incluidas en este Manual del usuario, incluidos todos los símbolos de aviso sobre seguridad, tales como **PELIGRO**, **ADVERTENCIA** y **PRECAUCIÓN**. De no observarse todas las instrucciones proporcionadas a continuación podría existir un riesgo de incendio, electrocución, así como de lesiones físicas graves.

## SIGNIFICADO DE LOS DISTINTOS SÍMBOLOS

**SÍMBOLO DE AVISO DE SEGURIDAD:** señala algún tipo de PELIGRO, ADVERTENCIA o PRECAUCIÓN a tener en cuenta. Este símbolo podrá utilizarse de manera conjunta con otros símbolos o pictogramas.



**⚠ ADVERTENCIA:** Es posible que, cuando se utilizan herramientas eléctricas, salgan despedidos objetos que podrían causar lesiones oculares severas si no se utiliza equipo de protección personal adecuado. Antes de empezar a usar herramientas eléctricas, póngase siempre gafas de seguridad, gafas con cristales anti-impacto que cuenten con pantallas de protección lateral, o bien una máscara facial que proteja completamente la cara. Recomendamos la utilización de máscaras de seguridad de amplia visión que pueden utilizarse encima de gafas graduadas, o bien gafas normales de seguridad equipadas con pantallas laterales.

## INSTRUCCIONES RELACIONADAS CON LA SEGURIDAD

Esta página muestra y describe los símbolos de seguridad que puede haber en este producto. Asegúrese de leer, entender perfectamente y observar todas las instrucciones estampadas o proporcionadas con el producto antes de proceder a su montaje y utilización.

	Aviso de seguridad	Indica una situación potencialmente peligrosa que, de no evitarse, podría provocar lesiones.
	Leer el Manual del usuario	Para reducir el riesgo de lesiones, el usuario debe leer y comprender el manual del usuario antes de utilizar este producto.
	Utilizar protección ocular	Lleve siempre protección auditiva cuando utilice este producto.
	Utilizar protección auditiva	Lleve siempre protección auditiva cuando utilice este producto.
	Sin cuchilla	No instale cuchillas de metal o plástico.

	Mantener a terceros apartados de la zona donde se esté utilizando la herramienta	Asegúrese de que las personas y los animales domésticos se mantengan a una distancia mínima de 15 m cuando se esté usando el cortasetos con cabezal de hilo.
	Mantener a terceros apartados de la zona donde se esté utilizando la herramienta	Asegúrese de que las personas y los animales domésticos se mantengan a una distancia mínima de 15 m cuando se esté usando el cortasetos con cabezal de hilo.
	Ruido	Nivel de presión acústica
	Grado de protección contra la penetración	Protección contra las salpicaduras de agua
V	Voltio	Tensión
mm	Milímetro	Longitud o tamaño
cm	Centímetro	Longitud o tamaño
	Corriente continua	Tipo o característica de la corriente
n <sub>0</sub>	Velocidad sin carga	Velocidad de giro, sin carga
min <sup>-1</sup>	Por minuto	Revoluciones por minuto

### INSTRUCCIONES DE SEGURIDAD IMPORTANTES

**⚠ ¡ADVERTENCIA!** Cuando se utilizan cortabordes eléctricos, se deben tomar una serie de medidas de precaución básicas para reducir el riesgo de incendio, descarga eléctrica o lesiones, incluyendo las siguientes:

### LEA TODAS LAS INSTRUCCIONES

**⚠ ¡PELIGRO!** No confíe únicamente en el aislamiento de la herramienta para evitar descargas eléctricas. Para reducir el riesgo de electrocución, nunca utilice la herramienta cerca de cables o tendidos eléctricos que puedan conducir corriente eléctrica.

**⚠ PRECAUCIÓN:** Utilice protección auditiva adecuada mientras se sirve de la herramienta. En ciertas condiciones de uso y en función del tiempo de exposición, el ruido generado por este producto podría dañar su capacidad auditiva.

### FORMACIÓN

- Lea detenidamente las instrucciones proporcionadas. Familiarícese con los mandos, así como con la manera correcta de utilizar su herramienta.
- Nunca permita que utilicen la herramienta las personas que no estén familiarizadas con estas instrucciones ni los niños. En algunos casos, es posible que la legislación local estipule una edad mínima para poder utilizar este tipo de herramientas.
- Le recordamos que el operario o usuario de la herramienta será responsable de cualquier accidente o peligro que su utilización pudiera suponer para otras personas o bienes de terceros.

### PREPARATIVOS PRELIMINARES

- Nunca utilice la herramienta cuando haya personas, especialmente niños o animales domésticos en las inmediaciones de la zona de trabajo.
- Utilice siempre protección ocular y calzado robusto mientras se sirve de la herramienta.
- La distancia entre la máquina y otras personas debe ser al menos 15 m.
- No utilice cuchillas de metal.

### UTILIZACIÓN

- Utilice únicamente la herramienta a plena luz del día o cuando exista iluminación artificial adecuada.
- Nunca utilice la herramienta con sus guardas de protección dañadas o sin sus dispositivos de seguridad instalados.
- No ponga en marcha el motor hasta haberse asegurado de tener las manos y los pies lo suficientemente apartados de los elementos de corte.
- Desconecte la herramienta de la fuente de alimentación (por ejemplo, desenchufándola de la red eléctrica, retirando su acumulador, o accionando el dispositivo de bloqueo o corte de alimentación) en los siguientes casos:
  - siempre que vaya a dejarla desatendida;
  - antes de eliminar cualquier obstrucción en la herramienta;
  - antes de comprobar, limpiar o llevar a cabo cualquier operación en la herramienta;

- tras haber golpeado algún objeto extraño con el elemento de corte;
- en cuanto se observen vibraciones anormales en la herramienta.
- Extreme las precauciones para evitar sufrir lesiones en los pies y las manos debido a la acción de los elementos de corte.
- Asegúrese siempre de que las rejillas de ventilación están libres de residuos y acumulaciones de suciedad.

## MANTENIMIENTO Y ALMACENAMIENTO

- Desconecte la herramienta de la fuente de alimentación (por ejemplo, desenchufándola de la red eléctrica, retirando su acumulador, o accionando el dispositivo de bloqueo o corte de alimentación) antes de efectuar en ella cualquier tarea de mantenimiento o limpieza.
- Utilice únicamente piezas de repuesto y accesorios recomendados por el fabricante.
- Examine la herramienta a intervalos periódicos y lleve a cabo las operaciones de mantenimiento que sean necesarias. Confíe cualquier reparación que sea necesario efectuar en la herramienta a un servicio técnico autorizado.
- Cuando no la esté utilizando, guarde la herramienta en lugar fuera del alcance de niños.

## ADVERTENCIAS DE SEGURIDAD COMPLEMENTARIAS

- Evite aquellas condiciones particularmente peligrosas. No utilice el cortabordes en hierba mojada o excesivamente húmeda.
- Asegúrese siempre de apagar el cortabordes con cabezal de hilo o retire el acumulador cuando vaya a dejarlo desatendido.
- Tampoco lo utilice bajo la lluvia.
- Mantenga alejados a los niños. todas las personas deberán mantenerse a una distancia prudente de la zona de trabajo.
- Utilice ropa adecuada. No lleve puesta ropa holgada ni joyas. Existe el peligro de que pudieran quedar atrapadas en las partes móviles de la herramienta. Se recomienda utilizar de guantes de goma y calzado adecuado cuando trabaje al aire libre. Si lleva el pelo largo, asegúrese de mantenerlo recogido utilizando alguna prenda de protección para la cabeza.
- Utilice gafas de seguridad: lleve siempre gafas de seguridad cuando use la máquina.
- Use siempre la herramienta correcta para el trabajo a realizar. No utilice la herramienta para ninguna otra tarea que no sea la prevista.
- No fuerce en exceso el cortabordes. La herramienta realizará el trabajo mejor y con menos riesgos de provocar lesiones si se utiliza al ritmo para el que ha sido diseñada.
- No se estire demasiado para alcanzar lugares de difícil acceso. Mantenga en todo momento un buen equilibrio y los pies firmemente apoyados en el suelo.
- Manténgase alerta y preste atención a lo que hace. Utilice su sentido común. No utilice el cortabordes si está cansado.
- No utilice el cortabordes si se encuentra bajo los efectos de alcohol o drogas.
- Asegúrese siempre de utilizar la herramienta con todas sus guardas de protección correctamente instaladas y en buen estado.
- Almacene el cortabordes en interiores. Cuando no lo esté utilizando, retire el acumulador y almacene la herramienta en un lugar seco y lo suficientemente alto o bajo llave, fuera del alcance de niños.
- Efectúe el mantenimiento que sea necesario en su cortabordes. Mantenga el cabezal de hilo de corte limpio a fin de garantizar un funcionamiento más eficaz y seguro, así como para reducir cualquier riesgo de lesiones. Siga las instrucciones correspondientes a la hora de cambiar accesorios. Mantenga las empuñaduras de la herramienta secas, limpias y libres de aceite y grasa.
- Compruebe la posible existencia de piezas dañadas. Antes de seguir utilizando el cortabordes, deberá examinarse detenidamente cualquier guarda de protección o pieza dañada a fin de determinar si se encuentra en perfectas condiciones de funcionamiento y si pueden permitir efectuar el trabajo previsto sin que resulte peligroso. Compruebe la alineación de las piezas móviles y asegúrese de que se desplazan libremente sin trabarse. Verifique también que no haya piezas o soportes rotos ni ninguna otra condición pudiera afectar al funcionamiento de la herramienta. A menos que se indique lo contrario en este manual, si una guarda de protección u otra pieza está dañada, deberá repararla o sustituirla un servicio técnico autorizado.
- Antes de cada uso, despeje la zona de trabajo. Quite todos los objetos como piedras, vidrios rotos, clavos, alambres, cables o cuerdas, ya que podrían salir despedidos por la acción de la herramienta o enredarse en el elemento de corte. Asegúrese de mantener a personas y animales domésticos a una distancia prudente de al menos 15 metros de la zona donde se esté utilizando la herramienta.
- Examine la herramienta antes de cada utilización o tras haber golpeado algún objeto por si presentase indicios de desgaste o daños. De ser así, lleve a cabo las reparaciones que sean necesarias.



- Sujete siempre el cortabordes firmemente por sus empuñaduras con ambas manos mientras lo utiliza. Sus pulgares y dedos deberán siempre rodear totalmente las empuñaduras de la herramienta.
- Evite cualquier activación fortuita de la herramienta. Nunca transporte el cortabordes con su dedo apoyado en el gatillo interruptor.
- No utilice el cortabordes en presencia de combustibles tales como gasolina ni en entornos explosivos. Los motores de estas herramientas suelen generar chispas que podrían actuar como detonante de vapores inflamables.
- Daños en el cortabordes. En caso de golpear algún objeto extraño con el cortabordes o si algún objeto se enreda en el cabezal, apague inmediatamente la herramienta, retire el acumulador, examine la posible existencia de daños y lleve a cabo las reparaciones que sean necesarias antes de volver a utilizar la herramienta. No utilice la herramienta si su guarda de protección o carrete de hilo están dañados o rotos.
- De observarse vibraciones anormales en el cortabordes, apague el motor, retire el acumulador e investigue inmediatamente la causa. Las vibraciones suelen ser indicativo de alguna anomalía. Un cabezal suelto podría provocar vibraciones, agrietarse, romperse o salir despedido del cortabordes, pudiendo causar lesiones graves o incluso mortales. Asegúrese de que el accesorio de corte está correctamente fijado en su sitio. Si el cabezal se suelta tras haberlo fijado en su sitio, sustitúyalo inmediatamente por otro nuevo. Nunca utilice un cortabordes con un accesorio de corte suelto.
- Sustituya inmediatamente cualquier cabezal de corte que esté agrietado, dañado o desgastado, incluso si el daño observado parece limitarse a grietas superficiales. Un accesorio de corte en esas condiciones podría romperse en pedazos al funcionar a altas revoluciones y provocar lesiones graves o incluso mortales.
- Compruebe el accesorio de corte con bastante frecuencia mientras utiliza la herramienta o inmediatamente si observa cualquier cambio notable en la eficacia de corte.
- Utilice únicamente cabezales e hilo de corte de polímero homologados por EGO™ y diseñados para su uso con este tipo de cortabordes. Si bien existe la posibilidad de instalar en su cortabordes EGO™ ciertos accesorios no aprobados por el fabricante, su utilización podría ser extremadamente peligrosa y perjudicial para la herramienta.
- Para reducir en lo posible el riesgo de sufrir lesiones graves, nunca utilice carretes de alambre, hilo metálico reforzado u otro material en lugar de hilo de corte de nailon. Los hilos de alambre podrían romperse y salir despedidos a alta velocidad, pudiendo causar lesiones graves tanto al usuario como a aquellas personas presentes en la zona de trabajo.

- Para reducir el riesgo de lesiones debido a una posible pérdida de control, nunca utilice la herramienta subido en una escalera ni ningún otro soporte poco estable o inseguro. Nunca eleve el accesorio de corte por encima de su cintura.
- De darse alguna situación que no estuviera cubierta en este manual, asegúrese de actuar con cuidado y buen juicio. Póngase en contacto con el departamento de atención al cliente de EGO en caso de que necesite asistencia al respecto.
- No recargue el acumulador bajo la lluvia ni en entornos excesivamente húmedos.
- Utilice la herramienta solo con baterías y cargadores de EGO.

BATERÍA	CARGADOR
BA1120E, BA1400, BA2240E BA2800, BA3360, BA4200, BA1400T, BA2800T, BA4200T	CH2100E, CH5500E

- Deberá retirarse el acumulador de la herramienta antes de proceder a su eliminación.
- El acumulador deberá eliminarse de manera segura.
- No elimine la batería arrojándola al fuego. Las celdas podrían explotar. Pregunte a las autoridades locales las posibles instrucciones de eliminación especiales.
- No desarme ni dañe en modo alguno el acumulador. El electrólito que podría liberarse es corrosivo y podría provocar lesiones oculares o cutáneas. Asimismo, podría ser tóxico si se ingiere.
- Tome las precauciones adecuadas al manipular los acumuladores a fin de no provocar cortocircuitos con materiales conductores, tales como anillos, pulseras y llaves. Cualquier cortocircuito podría provocar el sobrecalentamiento del acumulador o material conductor, con el consiguiente riesgo de sufrir quemaduras.
- Cuando efectúe reparaciones en la herramienta, utilice únicamente piezas originales EGO™ idénticas a las instaladas de fábrica. El uso de accesorios o piezas diferentes a los recomendados en este manual aumentará el riesgo de sufrir lesiones físicas.
- Las herramientas que funcionan a batería no requieren enchufarse en una toma de corriente. Por lo tanto, siempre están listas para funcionar. Sea consciente de los posibles peligros implicados, incluso cuando la herramienta no está funcionando. Preste especial atención al efectuar reparaciones u operaciones de mantenimiento en la herramienta.

- No limpie la herramienta utilizando una manguera. Evite que penetre agua en el motor o en las conexiones eléctricas.
- Conserve estas instrucciones. Consúltelas con frecuencia y utilícelas para instruir a aquellas otras personas que vayan a usar esta herramienta. En caso de prestar esta herramienta a terceros, proporcíóneles también estas instrucciones a fin de evitar su uso incorrecto y posibles riesgos de lesiones.
- Lleve siempre calzado robusto y pantalones largos cuando utilice la herramienta.
- Asegúrese siempre de tener los pies firmemente apoyados cuando utilice la herramienta en pendientes. Desplácese despacio, nunca corra.

**CONSERVE ESTAS INSTRUCCIONES EN UN LUGAR SEGURO!**

## ESPECIFICACIONES

Tensión	56 V ---	
Velocidad en vacío	5000/6000 min <sup>-1</sup>	
Sistema de corte	Cabezal con extracción de hilo por impacto	
Tipo de hilo de corte	Hilo retorcido de nailon de 2,4 mm	
Anchura de corte	38 cm	
Peso (sin acumulador)	4,21Kg	
Nivel de potencia acústica ponderado L <sub>WA</sub>	94,3 dB(A) K=1,37 dB(A)	
Nivel de presión acústica medido a la altura del oído del usuario L <sub>PA</sub>	82,6 dB(A) K= 3 dB(A)	
Nivel de potencia acústica garantizado L <sub>WA</sub> (medido según 2000/14/CE)	96 dB(A)	
Nivel de vibraciones a <sub>h</sub>	Asa trasera	3,97 m/s <sup>2</sup> K=1,5 m/s <sup>2</sup>
	Empuñadura auxiliar delantera	2,78 m/s <sup>2</sup> K=1,5 m/s <sup>2</sup>

## LISTA DE EMBALAJE

NOMBRE DE LA PIEZA	CANTIDAD
Cortabordes de hilo	1
Protección	1
Conjunto de empuñadura auxiliar delantera	1
Llave hexagonal	1
Llave multifunción	1
Correa bandolera	1
Manual del usuario	1

## DESCRIPCIÓN

**FAMILIARÍCESE CON EL CORTABORDES CON CABEZAL DE HILO (Fig. A)**

1. Abrazadera de tope
2. Gatillo
3. Empuñadura trasera
4. Entrada de aire
5. Botón de desbloqueo
6. Conmutador de velocidad alta/baja
7. Soporte para la correa bandolera
8. Empuñadura auxiliar delantera ajustable
9. Correa bandolera
10. Llave multifunción
11. Llave hexagonal
12. Cabezal del cortabordes (cabezal de impacto)
13. Hilo de corte
14. Lengüeta de liberación
15. Cuchilla de corte del hilo
16. Protección
17. Mecanismo de expulsión
18. Contactos eléctricos
19. Seguro
20. Protección de almohadilla de goma
21. Botón de liberación de la batería

## MONTAJE

**⚠ ADVERTENCIA:** Si alguna pieza falta o está rota, no utilice el producto hasta haber sustituido las piezas. Podrían producirse lesiones graves en caso de utilizar el producto si alguna de sus piezas falta o está dañada.

**⚠ ADVERTENCIA:** No intente modificar esta herramienta ni fabricar accesorios no recomendados para el uso con este cortabordes. Cualquier alteración o modificación se considerará uso indebido y podría provocar una situación peligrosa con riesgo de lesiones graves.

**⚠ ADVERTENCIA:** Para evitar una puesta en marcha accidental que podría causar lesiones graves, quite siempre la batería de la herramienta antes de montar piezas.

### MONTAJE DE LA PROTECCIÓN

**⚠ ADVERTENCIA:** Utilice siempre guantes al instalar o sustituir la protección. Tenga cuidado con la cuchilla instalada en la protección y protéjase las manos para evitar cortarse.

**⚠ ADVERTENCIA:** Nunca utilice la herramienta sin la protección instalada y firmemente sujeta en su sitio. ¡La protección deberá estar siempre instalada en la herramienta para proteger al usuario! Cuando la protección esté fijada, no intente nunca quitarla o ajustarla. ¡En caso de que haya que sustituirla, deberá hacerlo un técnico cualificado!

1. Afloje los dos tornillos de la protección (fig. B) y quítelos.
2. Alinee los orificios de montaje de la protección con los orificios de instalación y, a continuación, bloquee la protección sobre la base del tubo utilizando los dos tornillos, junto con dos arandelas elásticas (fig. C).

**AVISO:** Asegúrese de que la protección esté fijada como se muestra en las fig. B y C. ¡Si se fija de forma inversa provocará una situación de peligro grave!

### MONTAJE Y AJUSTE DE LA EMPUÑADURA AUXILIAR DELANTERA

1. Afloje la espiga de bloqueo en la empuñadura auxiliar delantera y quite la espiga de bloqueo y la tuerca de mariposa de la empuñadura auxiliar delantera (fig. D).

Fig. D, ver abajo la descripción de las piezas:

D-1	espiga de bloqueo	D-3	bloque de fijación
-----	-------------------	-----	--------------------

D-2	Empuñadura auxiliar delantera	D-4	Tuerca de mariposa
-----	-------------------------------	-----	--------------------

2. Empuje la empuñadura auxiliar delantera para introducirla sobre el tubo (fig. E).
3. Inserte el bloque de fijación en la ranura de la empuñadura (Fig. F).
4. Monte la espiga de bloqueo y sujételos ligeramente con la tuerca de mariposa. Asegúrese de que la empuñadura auxiliar delantera quede hacia arriba y apunte hacia la parte superior de la empuñadura trasera (fig. G).
5. Ajuste la empuñadura auxiliar delantera entre la abrazadera de tope y la etiqueta, asegurándose de que de que su brazo delantero esté recto cuando utilice la herramienta (fig. H).
6. Cierre la palanca de la espiga de bloqueo. (Fig. I).

**AVISO:** La empuñadura auxiliar delantera debe girarse hacia arriba para que indique hacia la parte superior de la empuñadura trasera.

**⚠ ADVERTENCIA:** Fije solo la empuñadura auxiliar delantera entre la arandela de tope y la etiqueta del tubo.

**⚠ ADVERTENCIA:** La herramienta no se puede usar si la empuñadura auxiliar delantera no está sujeta de forma segura.

### MONTAJE DE LA CORREA BANDOLERA

Presione el gancho de la correa para abrirlo y engánchelo al soporte para la correa bandolera (fig. J).

## FUNCIONAMIENTO

**⚠ ADVERTENCIA:** No permita que el hecho de estar familiarizado con el producto le haga descuidarse. Recuerde que cualquier distracción de una fracción de segundo es suficiente para provocar lesiones graves.

**⚠ ADVERTENCIA:** Lleve siempre gafas de seguridad o gafas con pantallas de protección lateral, además de protección auditiva. De lo contrario, de la herramienta pueden salir objetos despedidos y alcanzar los ojos, provocando lesiones graves.

**⚠ ADVERTENCIA:** No utilice piezas o accesorios no recomendados por el fabricante de este producto. La utilización de piezas o accesorios no recomendados puede provocar lesiones graves.

**⚠ ADVERTENCIA:** Para evitar lesiones graves, quite la batería de la herramienta antes de realizar cualquier reparación, limpieza, cambio de accesorios o de retirar acumulaciones de material cortado.

Este producto puede utilizarse para los fines indicados a continuación:

**Recorte:** se usa para quitar hierba y malas hierbas junto a paredes, vallas, árboles y bordes.

**Corte:** se usa para cortar la hierba difícil de alcanzar con un cortacésped normal.

**AVISO:** La herramienta debe utilizarse únicamente para el fin previsto. Cualquier otro uso, por ejemplo el corte de setos, se considerará uso indebido.

## CONEXIÓN/DESCONEXIÓN DE LA BATERÍA

**Cargue totalmente la batería antes de usarla por primera vez**

### Conexión

Alinee las nervaduras de la batería con las ranuras de montaje, e introduzca la batería presionándola hacia abajo hasta oír un “clic” (fig. K).

### Desconexión

Pulse el botón de liberación de la batería y saque la batería como se muestra en la fig. L.

Fig. L, ver abajo la descripción de las piezas:

L-1	Botón de liberación de la batería
-----	-----------------------------------

## SUJECIÓN DEL CORTABORDES DE HILO

**⚠ ADVERTENCIA:** Utilice ropa adecuada cuando trabaje con esta herramienta, para reducir el riesgo de lesiones. No lleve puesta ropa holgada ni joyas. Utilice protección auditiva. Utilice pantalones largos, botas y guantes resistentes. No lleve pantalones cortos, sandalias, ni vaya descalzo.

Antes de poner en marcha la herramienta, colóquese en la posición de utilización y compruebe que lleva protección ocular, ropa adecuada, que tiene los pies en equilibrio, y el brazo que sujeta la empuñadura auxiliar delantera estirado.

**AVISO:** El cabezal del cortabordes está paralelo al suelo a una distancia de corte adecuada, sin que el usuario tenga que inclinarse (fig. N).

Para un funcionamiento mejor y más seguro, póngase la correa bandolera cruzada desde el hombro, como en la fig. N. Ajuste la correa bandolera en una posición cómoda para utilizar la herramienta. Sujete firmemente el cortabordes de hilo utilizando las dos manos: una mano deberá sujetar la empuñadura trasera y la otra la empuñadura auxiliar delantera.

Hay dos formas de soltar la correa. Quítesela directamente del hombro (Fig. O) o presione le gancho de la correa y quítela del clip del soporte de montaje de la correa fijado al tubo (Fig. P).

**⚠ ADVERTENCIA:** La correa bandolera también es un mecanismo de liberación rápida si se produce una situación peligrosa. En caso de emergencia, quítesela del hombro inmediatamente, sin importar cómo esté colocada la correa.

## PUESTA EN MARCHA/PARADA DEL CORTABORDES DE HILO (fig. M)

### Puesta en marcha

Presione hacia abajo la palanca de desbloqueo y, a continuación, apriete el gatillo interruptor. Las distintas presiones en el gatillo provocarán diferentes velocidades de giro del hilo de corte. Cuanta más presión, mayor será la velocidad.

### Parada

Suelte el gatillo.

**AVISO:** El motor solo funcionará cuando el botón de desbloqueo y el gatillo se presionen a la vez.

**⚠ ADVERTENCIA:** Quite la batería del cortabordes siempre que haga pausas en el trabajo, así como una vez finalizada la tarea.

### Función de ajuste de la velocidad (Fig. M)

El cortabordes de hilo tiene dos velocidades. La posición “1” es para baja velocidad mientras que la posición “2” es para alta velocidad. Pulse o tire del conmutador de velocidad alta/baja para seleccionar la velocidad adecuada durante el funcionamiento.

Fig. M, ver abajo la descripción de las piezas:

M-1	Conmutador de velocidad alta/baja
M-2	Botón de desbloqueo
M-3	Gatillo

## USO DEL CORTABORDES DE HILO

**⚠ ADVERTENCIA:** Para evitar sufrir lesiones físicas graves, asegúrese de utilizar gafas de seguridad o con cristales anti-impacto siempre que se sirva de esta herramienta. Asimismo, utilice mascarilla antipolvo o protección respiratoria si se sirve de la herramienta en entornos polvorientos.

Antes de cada uso, despeje la zona de trabajo. Quite todos los objetos como piedras, vidrios rotos, clavos, alambres, cables o cuerdas, ya que podrían salir despedidos por la acción de la herramienta o enredarse en el elemento de corte. Mantenga a los niños, las mascotas y otras personas fuera de la zona de trabajo. Mantenga a los niños y otras personas, así como a las mascotas, a una distancia mínima de 15 m de la zona donde se esté utilizando la herramienta, ya que existe riesgo de que salgan objetos despedidos. Se recomienda que cualquier persona presente en la zona de trabajo utilice protección ocular. Apague inmediatamente el motor o desactive el dispositivo de corte si cualquiera se le acerca.

### Antes de cada utilización, examine la herramienta para determinar la posible existencia de piezas dañadas o desgastadas.

Examine el cabezal de impacto, la guarda de protección y empuñadura auxiliar delantera. Sustituya cualquier pieza que esté agrietada, deformada, doblada o presente cualquier tipo de daño.

Con el tiempo, el filo de la cuchilla de recorte de hilo situada en el borde de la guarda de protección puede llegar a embotarse. Se recomienda afilarla con una lima a intervalos periódicos o sustituirla por otra nueva.

**⚠ ADVERTENCIA:** Lleve siempre guantes para montar la protección o reparar la cuchilla. Tenga cuidado con la cuchilla instalada en la protección y protéjase las manos para evitar cortarse.

### Limpie el cortabordes después de cada uso.

**⚠ PRECAUCIÓN:** Cualquier obstrucción de los orificios de ventilación impedirá la correcta circulación de aire por el interior de la carcasa del motor, pudiendo hacer que este se sobrecaliente o sufra daños.

- Use solo jabón suave y un paño húmedo para limpiar la herramienta. No deje nunca que entre líquido en la herramienta ni sumerja ninguna parte de la herramienta en ningún líquido.
- Mantenga en todo momento los orificios de ventilación de la carcasa del motor libres de residuos.

**⚠ ADVERTENCIA:** No use nunca agua para limpiar el cortabordes. Evite utilizar disolventes para limpiar las piezas de plástico. La mayoría de los plásticos se pueden dañar si se limpian con algunos de los tipos de disolventes disponibles en el mercado. Utilice paños limpios para eliminar la suciedad y los residuos de polvo, aceite, grasa, etc.

## AJUSTE DE LA LONGITUD DEL HILO DE CORTE

El cabezal del cortabordes permite al usuario ir extrayendo más hilo de corte del carrete sin tener que detener el motor. A medida que el hilo se deshila o se desgasta, se puede extraer hilo adicional golpeando levemente el cabezal del cortabordes sobre el suelo mientras se utiliza el cortabordes (fig. Q).

**AVISO:** La extracción del hilo de corte se hará más difícil a medida que se hace más corto o va quedando menos cantidad en el carrete.

**⚠ ADVERTENCIA:** No retire ni modifique el conjunto de la cuchilla de corte del hilo. Una longitud excesiva de hilo de corte hará que el motor se sobrecaliente y podría provocar lesiones graves.

## SUSTITUCIÓN DEL HILO DE CORTE

**AVISO:** Utilice siempre el hilo de corte de nailon recomendado, cuyo diámetro no sea mayor que 2,4 mm. Si se utiliza otro hilo de corte distinto al especificado, el cortabordes de hilo podría calentarse excesivamente y sufrir daños.

**⚠ ADVERTENCIA:** Nunca utilice carretes de alambre, hilo metálico reforzado, cuerda, etc., ya que podrían romperse y sus trozos convertirse en proyectiles peligrosos.

1. Quite la batería.
2. En caso necesario, quite el hilo de corte que quede.
3. Corte 4 m de hilo e inserte el hilo en el orificio de montaje en el interior de la anilla (fig. R). Empuje y tire del hilo desde el otro lado, hasta que aparezca la misma cantidad de hilo por ambos lados del carrete.
4. Presione, al mismo tiempo que gira el conjunto de la tapa inferior en la dirección de la flecha, para enrollar el hilo en el carrete hasta que se vean aproximadamente 14 cm de hilo por cada lado (fig. S).
5. Empuje el conjunto de la tapa inferior hacia abajo mientras tira de los hilos para hacer que el hilo avance manualmente, y para comprobar el montaje correcto del cabezal del cortabordes.

Si el hilo de corte se rompe de la salida del hilo o si no se libera hilo de corte cuando se golpea el cabezal del cortabordes, realice los pasos siguientes:

1. Presione las lengüetas de liberación situadas en la tapa superior y retire el conjunto de la tapa inferior tirando de él hacia fuera (fig. T y U).
2. Quite el hilo de corte del carrete.
3. Sujutando con una mano el conjunto de la tapa inferior, use la otra mano para agarrar el conjunto de la tapa inferior y alinear las lengüetas de la tapa superior con los orificios del conjunto de la tapa inferior (fig. V); presione con la palma de la mano el conjunto de la tapa inferior, hasta que las lengüetas se enclaven en la tapa superior.
4. Siga las instrucciones del apartado "SUSTITUCIÓN DEL HILO DE CORTE" para volver a cargar el hilo de corte.

## MANTENIMIENTO

**⚠ ADVERTENCIA:** Cuando efectúe reparaciones en la herramienta, utilice únicamente piezas idénticas a las originales. Examine la herramienta a intervalos periódicos y lleve a cabo las operaciones de mantenimiento que sean necesarias. Para garantizar la seguridad y fiabilidad del producto, confíe cualquier reparación que sea necesaria a personal técnico cualificado.

**⚠ ADVERTENCIA:** Las herramientas que funcionan a batería no requieren enchufarse en una toma de corriente. Por lo tanto, siempre están listas para funcionar. A fin de evitar sufrir posibles lesiones físicas graves, exteme las precauciones y proceda con cuidado al efectuar cualquier operación de mantenimiento, reparación o sustitución del elemento de corte o de otros accesorios de la herramienta.

**⚠ ADVERTENCIA:** A fin de evitar en lo posible sufrir lesiones físicas graves, asegúrese siempre de retirar el acumulador de la herramienta antes de proceder a efectuar cualquier reparación, limpieza, sustitución de accesorios y elementos de corte, así como de retirar acumulaciones de material cortado.

### LIMPIEZA DE LA HERRAMIENTA

- Limpie la herramienta utilizando un paño húmedo y una pequeña cantidad de detergente suave.

- No utilice detergentes fuertes en la carcasa de plástico o en la empuñadura. Ciertos aceites aromáticos, como aquellos a base de limón o resina de pino y disolventes como queroseno, podrían dañar estas piezas. La humedad puede también contribuir al riesgo de sufrir descargas eléctricas. Utilice un paño suave y seco para eliminar cualquier resto de humedad.

- Utilice un cepillo pequeño o el accesorio tipo cepillo de una aspiradora para limpiar los orificios de ventilación de la carcasa trasera .

### LUBRICACIÓN DE LOS ENGRANAJES DE TRANSMISIÓN

Los engranajes de transmisión de la caja de engranajes deberán lubricarse periódicamente con grasa para engranajes. Compruebe el nivel de grasa de la caja de engranajes aproximadamente cada 50 horas de uso retirando el tornillo de sellado del lateral de la caja.

Si no se ve grasa en los flancos de los engranajes, siga los pasos que se indican a continuación para rellenar con grasa para engranajes hasta 3/4 de la capacidad. No rellene por completo los engranajes de transmisión con grasa.

1. Sujete el cortabordes por un lado, de modo que el tornillo de sellado esté hacia arriba (fig. W).
2. Emplee la llave multifunción suministrada para aflojar y retirar el tornillo de sellado.
3. Utilice una jeringa de engrase (no incluida) para inyectar la grasa en el orificio del tornillo; no sobrepase 3/4 de la capacidad.
4. Apriete el tornillo de sellado tras la inyección.

### ALMACENAMIENTO DE LA HERRAMIENTA

- Quite la batería del cortabordes con cabezal de hilo cuando no lo utilice.
- Limpie a fondo la herramienta antes de guardarla.
- Almacene la herramienta en un lugar seco y bien ventilado, ya sea cerrado o a una altura suficiente que impida que los niños puedan alcanzarla. No la guarde encima ni cerca de fertilizantes, gasolina u otros productos químicos.

### Protección del medio ambiente



No elimine aparatos eléctricos, cargadores de baterías, acumuladores recargables o baterías junto con los desperdicios domésticos!

Tanto la Directiva europea 2012/19/UE sobre la eliminación de aparatos eléctricos y electrónicos inservibles como la Directiva europea 2006/66/CE sobre la eliminación de baterías o acumuladores defectuosos o agotados estipulan que dichos elementos deben ser objeto de una recogida selectiva.

Si los aparatos eléctricos acabaran tirándose a vertederos o basureros, podrían desprender sustancias perjudiciales que llegarían a contaminar las capas freáticas y entrar en la cadena alimenticia, con el consiguiente peligro para la salud y calidad de vida humana.

## SOLUCIÓN DE PROBLEMAS

ES

PROBLEMA	CAUSA	SOLUCIÓN
El cortabordes con cabezal de hilo no se pone en marcha.	<ul style="list-style-type: none"> <li>■ La batería no está conectada correctamente al cortabordes.</li> <li>■ El cortabordes con cabezal de hilo se para durante el uso.</li> <li>■ La batería está agotada.</li> <li>■ No ha presionado simultáneamente el botón de desbloqueo y el gatillo interruptor.</li> </ul>	<ul style="list-style-type: none"> <li>■ Conecte correctamente la batería al cortabordes.</li> <li>■ Quite la batería, compruebe los contactos eléctricos y vuelva a instalarla.</li> <li>■ Cargue la batería.</li> <li>■ Mantenga presionado hacia abajo el botón de desbloqueo y apriete el gatillo interruptor para poner en marcha el cortabordes con cabezal de hilo.</li> </ul>
El cortabordes con cabezal de hilo se para durante el uso.	<ul style="list-style-type: none"> <li>■ La protección no está instalada en el cortabordes, haciendo que el hilo de corte quede extraído a una longitud excesiva y el motor se sobrecargue.</li> <li>■ Se está utilizando un hilo de corte demasiado grueso.</li> <li>■ Hay una acumulación de hierba en el eje del motor o el cabezal del cortabordes.</li> <li>■ El motor se ha sobrecargado.</li> <li>■ La batería o el cortabordes están demasiado calientes.</li> <li>■ La batería se ha desconectado de la herramienta.</li> <li>■ La batería está agotada.</li> </ul>	<ul style="list-style-type: none"> <li>■ Quite la batería e instale la protección en el cortabordes.</li> <li>■ Utilice hilo de corte de nailon recomendado, con un diámetro no superior a 2,4 mm.</li> <li>■ Apague el cortabordes, quite la batería y retire la hierba del eje del motor y cabezal del cortabordes.</li> <li>■ Aparte el cabezal del cortabordes de la hierba. El motor se recuperará y volverá a funcionar normalmente en cuanto se haya aliviado la carga. Al cortar la hierba, desplace el cabezal del cortabordes por esta siguiendo un movimiento de vaivén y procurando cortar una longitud máxima de 20 cm en cada pasada.</li> <li>■ Espere a que la batería o el cortabordes se hayan enfriado lo suficiente hasta que su temperatura sea menor que 67 °C.</li> <li>■ Vuelva a instalar la batería.</li> <li>■ Cargue la batería.</li> </ul>



PROBLEMA	CAUSA	SOLUCIÓN
El hilo de corte no se extraer automáticamente del cabezal del cortabordes	<ul style="list-style-type: none"> <li>■ Hay una acumulación de hierba en el eje del motor o el cabezal del cortabordes.</li> <li>■ No queda suficiente hilo de corte en el carrete.</li> <li>■ El cabezal del cortabordes está sucio.</li> <li>■ El hilo está enredado en el carrete.</li> <li>■ El hilo es demasiado corto.</li> </ul>	<ul style="list-style-type: none"> <li>■ Apague el cortabordes, quite la batería y limpie el eje del motor y cabezal del cortabordes.</li> <li>■ Quite la batería y sustituya el hilo de corte. Consulte el apartado "SUSTITUCIÓN DEL HILO DE CORTE" en este manual.</li> <li>■ Quite la batería y limpie el cabezal del cortabordes.</li> <li>■ Quite la batería, retire el hilo del cabezal del cortabordes y vuelva a enrollarlo. Consulte el apartado "SUSTITUCIÓN DEL HILO DE CORTE" en este manual.</li> <li>■ Quite la batería y tire manualmente de los extremos del hilo de corte mientras presiona y suelta alternativamente el cabezal del cortabordes.</li> </ul>
La hierba se enreda alrededor del cabezal y de la carcasa del motor.	<ul style="list-style-type: none"> <li>■ Está cortando a nivel del suelo hierba demasiado alta.</li> </ul>	<ul style="list-style-type: none"> <li>■ Corte la hierba alta de arriba hacia abajo, cortando un máximo de 20 cm en cada pasada para evitar que se enrede.</li> </ul>
Grietas en el cabezal del cortabordes, o el conjunto de la tapa inferior se suelta de la tapa superior.	<ul style="list-style-type: none"> <li>■ El cabezal del cortabordes está desgastado.</li> </ul>	<ul style="list-style-type: none"> <li>■ Lleve el aparato inmediatamente a un técnico cualificado para que cambie el cabezal del cortabordes.</li> </ul>

## GARANTÍA

### POLÍTICA DE GARANTÍA DE EGO

Visite la página web [egopowerplus.com](http://egopowerplus.com) para conocer los términos y condiciones completos de la política de garantía de EGO.

## LEIA TODAS AS INSTRUÇÕES!



**LEIA O MANUAL DE INSTRUÇÕES**

PT

**⚠ Risco residual!** As pessoas com dispositivos eletrônicos, como pacemakers, deverão consultar o seu médico antes de utilizarem este produto. A utilização de equipamento elétrico perto de um pacemaker pode causar interferências ou falhas no pacemaker.

**⚠ AVISO:** Para assegurar a segurança e bom funcionamento, todas as reparações e substituições deverão ser efetuadas por um técnico de reparação qualificado.

## SÍMBOLOS DE SEGURANÇA

O objetivo dos símbolos de segurança é chamar a atenção para possíveis perigos. Os símbolos de segurança e as respetivas explicações apresentadas requerem a sua atenção e compreensão. Os avisos de segurança, só por si, não eliminam o perigo. As instruções e avisos dados não são substitutos para medidas de prevenção adequadas a acidentes.

**⚠ AVISO:** Certifique-se de que lê e compreende todas as instruções de segurança neste manual do utilizador, incluindo todos os símbolos de alerta de segurança, como “**PERIGO**”, “**AVISO**”, e “**CUIDADO**” antes de utilizar esta ferramenta. Não seguir todas as instruções apresentadas abaixo pode resultar em choque elétrico, incêndio e/ou lesões graves.

## SIGNIFICADO DOS SÍMBOLOS

**SÍMBOLO DE ALERTA DE SEGURANÇA:** Indica **PERIGO, AVISO** ou **CUIDADO**. Pode ser usado juntamente com outros símbolos ou imagens.



**⚠ AVISO:** O funcionamento de qualquer ferramenta elétrica pode dar origem ao ressalto de quaisquer objetos estranhos que podem atingir os olhos, podendo dar origem a sérias lesões oculares. Antes de começar a utilizar a ferramenta elétrica, utilize sempre óculos de segurança com proteções laterais e uma proteção completa para o rosto, quando necessário. Recomendamos a utilização de máscaras de segurança com visão panorâmica por cima dos óculos ou óculos de segurança padrão com proteção lateral.

## INSTRUÇÕES DE SEGURANÇA

Esta página retrata e descreve os símbolos de segurança que podem aparecer neste produto. Leia, compreenda e siga todas as instruções na máquina antes de a tentar montar e utilizar.

	Alerta de segurança	Indica um potencial perigo de lesões pessoais.
	Leia o manual do utilizador	Para reduzir o risco de lesões, o utilizador tem de ler e compreender o manual do utilizador antes de utilizar este produto.
	Utilize proteção ocular	Utilize sempre proteção auditiva ao utilizar este produto.
	Utilize proteção auditiva	Utilize sempre proteção auditiva ao utilizar este produto.
	Sem lâmina de corte	Não instale lâminas de corte de metal ou de plástico.
	Mantenha terceiros afastados	Certifique-se de que outras pessoas e animais permanecem a, pelo menos, 15m da roçadora de fio durante a utilização.
	Mantenha terceiros afastados	Certifique-se de que outras pessoas e animais permanecem a, pelo menos, 15m da roçadora de fio durante a utilização.

	Ruído	Nível de pressão do som
	Grau de proteção de entrada	Proteção contra salpicos
V	Volts	Voltagem
mm	Milímetro	Comprimento ou tamanho
cm	Centímetro	Comprimento ou tamanho
	Corrente direta	Tipo ou característica da corrente
$n_0$	Velocidade Sem Carga	Velocidade rotacional sem carga
$\text{min}^{-1}$	Por minuto	Rotações por minuto

### INSTRUÇÕES DE SEGURANÇA IMPORTANTES

**AVISO!** Quando utilizar uma roçadora elétrica, deve adotar sempre medidas de segurança básicas para reduzir o risco de fogo, de descargas elétricas e de lesões pessoais, incluindo o seguinte:

#### LEIA TODAS AS INSTRUÇÕES

**PERIGO!** Não confie apenas no isolamento da ferramenta contra choques elétricos. Para reduzir o risco de eletrocussão, nunca utilize o aparelho perto de quaisquer fios ou cabos que possam transportar corrente elétrica.

**CUIDADO:** Utilize equipamento de proteção auditiva adequada durante a utilização. Em algumas condições e durações de utilização, o ruído proveniente deste produto pode contribuir para a perda de audição.

#### TREINO

- Leia estas instruções com atenção. Familiarize-se com todos os controles e com a utilização correcta da máquina.
- Nunca permita que pessoas que não estejam familiarizadas com as instruções ou crianças utilizem o aparelho. Os regulamentos locais podem restringir a idade do utilizador.
- Tenha em conta que o operador ou utilizador é o responsável por acidentes ou perigos que ocorram a outras pessoas ou à sua propriedade.

#### PREPARAÇÃO

- Nunca utilize o aparelho com pessoas, especialmente crianças ou animais por perto.

- Utilize sempre proteção ocular e calçado resistente enquanto utiliza a máquina.
- A distância entre a máquina e terceiros deve ser de pelo menos 15 m.
- Não utilize lâminas metálicas

#### FUNCIONAMENTO

- Us e a máquina apenas à luz do dia ou com boa luz artificial.
- Nunca utilize a máquina com proteções danificadas ou sem as proteções montadas.
- Ligue o motor apenas quando as mãos e pés estiverem afastados de meios de corte.
- Desligue sempre a máquina da alimentação (retire a ficha da tomada ou retire o dispositivo de desativação).
  - Sempre que deixa a máquina sem supervisão;
  - Antes de eliminar um bloqueio;
  - Antes de verificar, limpar ou trabalhar na máquina;
  - Após bater num objeto estranho;
  - Sempre que a máquina começa a vibrar anormalmente.
- Tenha cuidado para não se magoar nos pés nem nas mãos durante o corte.
- Certifique-se sempre de que as aberturas de ventilação são mantidas isentas de resíduos.

#### MANUTENÇÃO E ARMAZENAMENTO

- Desligue a máquina da alimentação (retire a ficha da tomada ou retire o dispositivo de desativação) antes de efetuar quaisquer trabalhos de manutenção ou de limpeza.
- Utilize apenas peças sobressalentes e acessórios recomendados pelo fabricante.
- Inspeccione e efetue a manutenção da máquina com regularidade. A máquina apenas deve ser reparada por um reparador autorizado.
- Quando não em uso, armazene a máquina fora do alcance das crianças.

#### AVISOS ADICIONAIS DE SEGURANÇA

- Evite ambientes perigosos. Não utilize o aparador em locais húmidos ou molhados.
- Desligue sempre o aparador de fio ou retire a bateria sempre que deixar o aparador sem supervisão.
- Não utilize à chuva.
- Mantenha as crianças afastadas. Todas as pessoas deverão ser mantidas afastadas da área de trabalho.

- Vista-se adequadamente. Não utilize roupa larga ou joias. Estas podem ficar presas em peças móveis. A utilização de luvas de borracha e calçado resistente é recomendada para trabalhos no exterior. Utilize uma proteção para segurar o cabelo comprido.
- Use óculos de segurança. Use sempre óculos de segurança enquanto utiliza a máquina.
- Utilize a ferramenta correta. Não utilize a ferramenta para outros trabalhos para além daqueles para que foi criada.
- Não force o aparador. Este fará um trabalho melhor e com menos probabilidades de lesões se for usado à taxa para que foi criado.
- Não se estique. Mantenha sempre a base e o equilíbrio adequados.
- Mantenha-se alerta e atento ao que está a fazer. Utilize o senso comum. Não utilize o aparador quando estiver cansado.
- Não utilize o aparador quando estiver sob a influência de álcool ou drogas.
- Mantenha as proteções no lugar e em bom estado de funcionamento.
- Armazene o aparador no interior. Quando não em uso, deverá guardá-lo no interior num local seco, alto ou trancado, com a bateria retirada e fora do alcance das crianças.
- Mantenha o aparador em bom estado. Mantenha o acessório de corte limpo para melhor desempenho e para reduzir o risco de lesões. Siga as instruções quanto à mudança de acessórios. Mantenha as pegas secas, limpas e sem óleo ou gordura.
- Verifique se existem peças danificadas. Antes de continuar a utilizar o aparador, uma proteção ou outra peça que esteja danificada deve ser cuidadosamente verificada, para determinar se irá funcionar adequadamente e desempenhar a sua suposta função. Verifique o alinhamento de peças móveis, ligação de peças móveis, fragmentação de peças, montagem e qualquer outra condição que possa afetar o seu funcionamento. Um protetor ou qualquer outra peça que esteja danificada deverá ser reparada adequadamente ou substituída por um centro de reparações autorizado, exceto se for indicado de outro modo neste manual de instruções.
- Limpe a área a cortar antes de cada utilização. Retire todos os objetos, como pedras, vidro partido, pregos, arames ou fios que possam ser atirados ou ficar presos no acessório de corte. Certifique-se de que outras pessoas e animais são mantidos a, pelo menos, 15 metros de distância.
- Antes de utilizar a máquina e após qualquer impacto, verifique quaisquer sinais de desgaste ou dano e repare, conforme necessário.
- Segure sempre o aparador firmemente com as duas mãos nas pegas durante a utilização. Enrole os dedos em redor das pegas.
- Para evitar um arranque accidental, nunca transporte o aparador com o dedo no gatilho.
- Não utilize o aparador em atmosferas explosivas ou com produtos petrolíferos. Os motores nestes aparelhos costumam criar faíscas e estas podem incendiar os vapores.
- Danos no aparador: se bater num objeto estranho com o aparador ou se este ficar emaranhado, pare imediatamente o aparelho, retire a bateria, verifique se existem danos e leve o aparelho para ser reparado antes de tentar voltar a utilizá-lo. Não utilize com uma proteção ou bobinas partidas.
- Se o aparelho começar a vibrar anormalmente, desligue o motor, retire a bateria do aparador de fio e verifique imediatamente as causas. A vibração é normalmente um aviso de problemas. Uma cabeça solta pode vibrar, rachar, partir ou soltar-se do aparador, o que pode dar origem a lesões sérias ou fatais. Certifique-se de que o acessório de corte está devidamente fixado na respetiva posição. Se a cabeça se soltar após fixá-la, substitua-a imediatamente. Nunca utilize um aparador com um acessório de corte solto.
- Substitua imediatamente uma cabeça de corte rachada, danificada ou gasta, mesmo que o dano esteja limitado a rachas superficiais. Tais acessórios podem despedaçar-se a alta velocidade e causar lesões sérias ou até mesmo fatais.
- Verifique regularmente o acessório de corte durante a utilização ou imediatamente após reparar alguma alteração no comportamento de corte.
- Utilize apenas linhas de polímero para aparadores autorizadas pela EGO™ e linhas para aparadores criadas para serem usadas com este aparelho. Apesar de alguns acessórios não autorizados poderem caber no aparador de fio da EGO™, eles podem ser extremamente perigosos e/ou danificar o aparelho.
- Para reduzir o risco de lesões sérias, nunca utilize fio de arame ou metal reforçado ou outro material em vez das linhas de corte de nylon. Os pedaços de arame podem partir-se e serem atirados a alta velocidade contra o operador ou terceiros.
- Para reduzir o risco de lesões devido à perda de controlo, nunca trabalhe em cima de uma escada ou noutro suporte inseguro. Nunca segure o acessório de corte acima da altura da cintura.

- Se ocorrerem situações que não sejam abrangidas por este manual, tenha cuidado e faça uso do bom senso. Contacte o centro de reparação da EGO para obter assistência.
- Não carregue a bateria à chuva ou em condições húmidas.
- Utilize apenas com baterias EGO e carregadores.

BATERIA	CARREGADOR
BA1120E, BA1400, BA2240E BA2800, BA3360, BA4200, BA1400T, BA2800T, BA4200T	CH2100E, CH5500E

- A bateria tem de ser retirada do equipamento antes de ser eliminada.
- A bateria tem de ser eliminada de modo seguro.
- Não atire a bateria para o fogo. As células podem explodir. Consulte as autoridades locais quanto a possíveis instruções especiais de eliminação.
- Não abra, nem altere a bateria. O eletrólito libertado é corrosivo e pode causar lesões nos olhos ou pele. Pode ser tóxico se engolido.
- Tenha muito cuidado ao manusear as baterias, de modo a não colocá-las em curto-circuito com materiais condutores, como anéis, pulseiras e chaves. A bateria ou o condutor podem sobreaquecer e causar queimaduras.
- Quando fizer reparações, utilize apenas peças sobressalentes idênticas da EGO™. A utilização de outros acessórios pode aumentar o risco de lesões.
- As ferramentas que funcionam a bateria não têm de ser ligadas a uma tomada elétrica; assim, estão sempre em estado de funcionamento. Tenha cuidado com possíveis perigos quando o aparelho não estiver a funcionar. Tenha cuidado quando efetuar a manutenção ou reparações.
- Não lave com uma mangueira. Evite que entre água no motor e nas ligações elétricas.
- Guarde estas instruções. Consulte com frequência e utilize estas instruções para instruir outras pessoas sobre a forma de utilizar este equipamento. Se emprestar este aparelho, entregue também as instruções, para evitar uma má utilização do produto e possíveis lesões.
- Ao utilizar o equipamento, utilize sempre calçado resistente e calças compridas.
- Garanta que possui sempre uma base para os pés equilibrada em locais inclinados e que caminha, nunca corra.

## GUARDE ESTAS INSTRUÇÕES!

## ESPECIFICAÇÕES

Voltagem	56 V $\overline{\text{---}}$	
Velocidade sem carga	5000/6000 min <sup>-1</sup>	
Mecanismo de corte	Cabeça de choque	
Diâmetro da linha	Fio torcido de nylon de 2,4 mm	
Largura de corte	38 cm	
Peso (sem a bateria)	4,21Kg	
Nível de potência do som medido L <sub>WA</sub>	94,3 dB(A) K=1,37 dB(A)	
Nível da pressão do som no ouvido do operador L <sub>PA</sub>	82,6 dB(A) K= 3 dB(A)	
Nível de potência do som garantido L <sub>WA</sub> (de acordo com a 2000/14/CE)	96 dB(A)	
Vibração a <sub>h</sub>	Pega traseira	3,97 m/s <sup>2</sup> K=1,5 m/s <sup>2</sup>
	Pega auxiliar dianteira	2,78 m/s <sup>2</sup> K=1,5 m/s <sup>2</sup>

**PT**

## LISTA DE PEÇAS

NOME DA PEÇA	QUANTIDADE
Roçadora de fio	1
Proteção	1
Conjunto da pega dianteira	1
Chave sextavada	1
Chave multifunções	1
Alça para o ombro	1
Manual do utilizador	1

## DESCRIÇÃO

### CONHEÇA A SUA ROÇADORA DE FIO (Imagem A)

1. Anilha de entrada
2. Gatilho
3. Pega traseira
4. Entrada de ar
5. Botão de desbloqueio
6. Interruptor de velocidade alta/baixa
7. Gancho de fixação da alça para o ombro
8. Pega auxiliar dianteira ajustável
9. Alça para os ombros
10. Chave multifunções
11. Chave sextavada
12. Cabeça da roçadora (cabeça de choque)
13. Fio de corte
14. Aba de libertação
15. Lâmina de corte do fio
16. Proteção
17. Mecanismo de ejeção
18. Contactos elétricos
19. Trinco
20. Proteção de borracha
21. Botão de libertação da bateria

## MONTAGEM

**AVISO:** Se houver peças danificadas ou em falta, não utilize o produto até ter substituído essas peças. Utilizar este produto com peças danificadas ou em falta pode dar origem a lesões pessoais sérias.

**AVISO:** Não tente modificar este produto nem criar acessórios que não sejam recomendados para utilizar com esta roçadora de fio. Qualquer alteração ou modificação é considerada uma má utilização e pode dar origem a perigos, que podem levar a possíveis lesões pessoais sérias.

**AVISO:** Para evitar um arranque acidental que possa causar lesões pessoais sérias, retire sempre a bateria do produto durante a montagem das peças.

## MONTAR A PROTEÇÃO

**AVISO:** Use sempre luvas quando montar ou substituir a proteção. Tenha cuidado com a lâmina na proteção e proteja a sua mão contra cortes.

**AVISO:** Nunca utilize o aparelho sem a proteção bem colocada. A proteção tem de estar sempre no aparelho para proteger o utilizador! Quando a proteção estiver fixada, nunca tente retirar nem ajustar a proteção. Se for necessário substituí-la, isso deverá ser efetuado por um técnico de reparação qualificado!

1. Solte e retire os dois parafusos da proteção (Imagem B).
2. Alinhe os orifícios de fixação da proteção com os orifícios de montagem e, depois, bloqueie a proteção na base do eixo com dois parafusos, juntamente com as duas anilhas de mola (Imagem C).

**AVISO:** Certifique-se de que a proteção é fixada de acordo com a Imagem B e C. Qualquer fixação inversa dará origem a grandes perigos!

## MONTAR E AJUSTAR A PEGA AUXILIAR DIANTEIRA

1. Desaperte a haste de fixação na pega auxiliar dianteira e retire a haste de fixação e a porca de asas da pega auxiliar dianteira (Imagem D).

Imagem D: Descrição das peças apresentada abaixo:

D-1	Haste de fixação	D-3	Bloco de fixação
D-2	Pega auxiliar dianteira	D-4	Porca de asas

2. Pressione a pega auxiliar dianteira contra o eixo (Imagem E).
3. Insira o bloco de fixação na ranhura da pega (Imagem F).
4. Monte a haste de fixação e pré-aperte com a porca de asas. Certifique-se de que a pega auxiliar dianteira fica para cima, virada para o topo da pega traseira (Imagem G).
5. Ajuste a pega auxiliar dianteira entre a anilha de entrada e a etiqueta, para se certificar de que o seu braço dianteiro fica esticado durante a operação (Imagem H).
6. Fixe a alavanca da haste de fixação (Imagem I).

**AVISO:** Rode a pega auxiliar dianteira para cima, para ficar virada para o topo da pega traseira.

**AVISO:** Fixe a pega auxiliar dianteira apenas entre o anel de entrada e a etiqueta no eixo.

**AVISO:** A ferramenta não pode ser usada sem a pega auxiliar dianteira devidamente fixada.

### MONTAR A ALÇA PARA O OMBRO

Pressione o gancho da alça para o abrir e fixe no gancho de fixação da alça para o ombro (Imagem J).

## FUNCIONAMENTO

**AVISO:** Não deixe que a sua familiaridade com o produto o torne descuidado. Lembre-se de que uma fração de segundo de desatenção é o suficiente para sofrer uma lesão séria.

**AVISO:** Use sempre óculos de segurança com proteção lateral, juntamente com proteção auditiva. Se não o fizer, pode apanhar com objetos nos olhos, dando origem a possíveis lesões sérias.

**AVISO:** Não utilize quaisquer ligações ou acessórios não recomendados pelo fabricante deste produto. A utilização de acessórios que não sejam recomendados pode dar origem a lesões pessoais sérias.

**AVISO:** Para evitar lesões pessoais sérias, retire a bateria antes da reparação, limpeza, mudança de acessórios ou remoção de material da unidade.

Pode utilizar este produto com os intuitos listados abaixo:

**Aparar:** Usado para retirar relva e ervas daninhas encostadas a paredes, vedações, árvores e orlas.

**Cortar:** Usado para cortar relva difícil de alcançar usando uma máquina de cortar relva normal.

**AVISO:** A ferramenta tem de ser usada apenas conforme descrito. Qualquer outra utilização, por exemplo, para aparar sebes, pode ser considerada uma má utilização.

### FIXAR/RETIRAR A BATERIA

**Carregue por completo antes da primeira utilização.**

#### Para fixar

Alinhe as abas da bateria com as ranhuras de fixação e pressione a bateria para baixo até ouvir um "clique" (Imagem K).

#### Para retirar

Prima o botão de libertação da bateria e puxe a bateria para fora, conforme apresentado na Imagem L.

Imagem L: Descrição das peças apresentada abaixo:

L-1	Botão de libertação da bateria
-----	--------------------------------

### SEGURAR A ROÇADORA

**AVISO:** Vista-se adequadamente para reduzir o risco de lesões quando utilizar este aparelho. Não utilize roupa larga ou jóias. Use proteções oculares e auditivas. Use calças compridas e resistentes, botas e luvas. Não use roupa curta, sandálias nem ande descalço.

Antes de colocar em funcionamento, coloque-se em posição de funcionamento e verifique a proteção ocular, vestuário adequado, equilíbrio, braço esticado, que segura a pega dianteira.

**AVISO:** A cabeça da roçadora deverá estar paralela ao chão a uma distância de corte adequada sem que o operador tenha de se dobrar (Imagem N).

Para uma operação melhor e mais segura, coloque a alça para os ombros no ombro, conforme apresentado na Imagem N. Ajuste a alça para os ombros numa posição de trabalho confortável. Segure a roçadora de fio com ambas as mãos. Uma mão na pega traseira e a outra na pega dianteira.

Há dois modos de libertar a pega. Retire-a diretamente do seu ombro (Imagem O) ou pressione o gancho na alça e retire-a do gancho de fixação da alça para o ombro fixado no eixo (Imagem P).

**AVISO:** A alça para o ombro é também um mecanismo de libertação rápida em situações perigosas. Quando ocorre uma emergência, retire-a imediatamente do seu ombro, não importa o modo como a alça se encontra.

### LIGAR/PARAR A ROÇADORA DE FIO (Imagem M)

#### Para ligar

Prima a alavanca de bloqueio e, depois, prima o gatilho. Uma pressão diferente no gatilho dá origem a uma velocidade de rotação variável do fio de corte. Mais pressão, maior a velocidade.

#### Para parar

Deixe de premir o gatilho.

**AVISO:** O motor só funciona quando o botão de desbloqueio e o gatilho são pressionados simultaneamente.

**AVISO:** Retire sempre a bateria da roçadora de fio durante pausas de trabalho e após terminar o trabalho.

## Função de ajuste da velocidade (Imagem M)

A roçadora de fio tem duas velocidades. A posição "1" é a de baixa velocidade e a posição "2" é a de alta velocidade. Pressione ou puxe o interruptor da velocidade alta/baixa para escolher a velocidade adequada durante a operação.

Imagem M: Descrição das peças apresentada abaixo:

M-1	Interruptor de velocidade alta/baixa
M-2	Botão de desbloqueio
M-3	Gatilho

## USAR A ROÇADORA DE FIO

**AVISO:** Para evitar lesões pessoais sérias, utilize sempre óculos de segurança quando utilizar este aparelho. Utilize uma máscara para o rosto ou máscara do pó em locais poeirentos.

Limpe a área a cortar antes de cada utilização. Retire todos os objetos, como pedras, vidro partido, pregos, arames ou fios que possam ser atirados ou ficar presos no acessório de corte. Afaste as crianças, terceiros e animais. No mínimo, mantenha as crianças, terceiros e animais a um raio de 15 metros. Poderá continuar a haver um risco para as pessoas devido aos objetos que possam ser atirados. Quaisquer terceiros deverão ser encorajados a utilizar proteção ocular. Se alguém se aproximar, desligue imediatamente o motor e o acessório de corte.

### Antes de cada utilização, verifique se existem peças gastas/danificadas.

Verifique a cabeça de choque, proteção, pega dianteira e substitua as peças rachadas, torcidas, dobradas ou danificadas de algum modo.

Esta lâmina para cortar o fio na extremidade da proteção pode deixar de ficar afiada com o passar do tempo. Recomendamos que afie periodicamente com uma lima ou que a substitua por uma lâmina nova.

**AVISO:** Utilize sempre luvas quando montar a proteção ou reparar a lâmina. Tenha cuidado com a lâmina na proteção e proteja a sua mão contra cortes.

### Após cada utilização, limpe a roçadora.

**CUIDADO:** As obstruções nas aberturas de ventilação impedem que o ar flua para a estrutura do motor, dando origem a um sobreaquecimento ou danos no motor.

- Utilize apenas detergente neutro e um pano humedecido para limpar o aparelho. Nunca permita que entre líquido no aparelho e nunca coloque qualquer parte do aparelho dentro de qualquer líquido.
- Mantenha sempre as aberturas de ventilação da estrutura do motor sem lixo.

**AVISO:** Nunca utilize água para limpar a sua roçadora. Evite utilizar solventes quando limpa peças de plástico. Grande parte dos plásticos podem ficar danificados devido a vários tipos de solventes comerciais. Utilize panos limpos para retirar a sujidade, pó, óleo, gordura, etc.

## AJUSTAR O COMPRIMENTO DO FIO DE CORTE

A cabeça da roçadora permite ao operador libertar mais fio de corte sem parar o motor. À medida que o fio fica gasto, pode libertar mais fio, batendo ligeiramente a cabeça da roçadora no chão enquanto utiliza a roçadora (Imagem Q).

**AVISO:** A libertação do fio irá ser mais difícil, pois o fio começa a ficar mais curto.

**AVISO:** Não retire nem altere o conjunto da lâmina de corte do fio. Um fio com um comprimento excessivo faz o motor sobreaquecer e pode dar origem a lesões pessoais sérias.

## SUBSTITUIÇÃO DO FIO

**AVISO:** Use sempre o fio de corte de nylon recomendado, com um diâmetro que não exceda 2,4 mm. Usar outro fio para além do especificado pode fazer com que a roçadora sobreaqueça ou fique danificada.

**AVISO:** Nunca use fio de metal reforçado, arame, corda, etc. Estes podem partir e tornarem-se projéteis perigosos.

1. Retire a bateria.
2. Retire o fio de corte restante, se necessário.
3. Corte 4 metros de fio de corte e insira o fio no orifício de montagem no interior do ilhó (Imagem R). Pressione e puxe o fio a partir do outro lado, até que apareçam quantidades iguais de fio em ambos os lados da bobina.
4. Pressione, enquanto roda o conjunto da cobertura inferior na direção da seta, para enrolar o fio na bobina até que apareçam cerca de 14 cm de fio em cada lado (Imagem S).



5. Pressione o conjunto da cobertura inferior para baixo enquanto puxa os fios para avançar manualmente o fio e verificar a montagem correta da cabeça da roçadora.

Quando o fio de corte se partir na saída do fio, ou não for libertado quando bater com a cabeça da roçadora, siga os passos apresentados em baixo:

1. Prima as abas de libertação na cobertura superior e retire o conjunto da cobertura inferior puxando a direita (Imagem T e U).
2. Retire o fio de corte da bobina.
3. Com uma mão a segurar o conjunto da cobertura inferior, use a outra mão para segurar o conjunto da cobertura inferior e alinhar as abas na cobertura com os orifícios no conjunto da cobertura inferior (Imagem V). Use a palma da mão para pressionar o conjunto da cobertura inferior até que as abas fiquem fixadas na cobertura superior.
4. Siga as instruções em "SUBSTITUIÇÃO DO FIO" para recarregar o fio de corte.

## MANUTENÇÃO

**AVISO:** Quando fizer reparações, utilize apenas peças sobressalentes idênticas. Inspeccione e efetue a manutenção da máquina com regularidade. Para assegurar a segurança e bom funcionamento, todas as reparações deverão ser efetuadas por um técnico de reparação qualificado.

**AVISO:** As baterias não têm de ser ligadas a uma tomada. Assim, estão sempre em estado de funcionamento. Para evitar lesões pessoais sérias, tenha muito cuidado quando efectuar a manutenção, reparação ou mudança do acessório de corte ou de outros acessórios.

**AVISO:** Para evitar lesões pessoais sérias, retire a bateria do aparelho antes da reparação, limpeza, mudança de acessórios ou remoção de material da unidade.

## LIMPEZA DA UNIDADE

- Limpe a unidade usando um pano humedecido com detergente suave.
- Não utilize detergentes fortes na estrutura de plástico ou na pega. Estes podem ser danificados por determinados óleos aromáticos, como pinho e limão e por solventes como querosene. A humidade também pode causar um perigo de choque. Retire qualquer vestígio de humidade com um pano macio e seco.

- Use uma pequena escova ou a descarga de ar de uma pequena escova aspiradora para limpar as entradas de ar na estrutura traseira.

## LUBRIFICAÇÃO DOS CARRETOS DE TRANSMISSÃO

Os carretos de transmissão na caixa dos carretos têm de ser lubrificados periodicamente com lubrificante para carretos. Verifique o nível de lubrificação da caixa dos carretos a cada 50 horas de funcionamento, retirando o parafuso vedante na parte lateral da caixa.

Se não vir qualquer lubrificante nas partes laterais do carroto, siga os passos apresentados em baixo para atestar com lubrificante para carretos até 3/4 da capacidade. Não encha completamente os carretos de transmissão.

1. Segure a roçadora de lado, de modo a que o parafuso vedante fique virado para cima (Imagem W).
2. Use a chave multifunções fornecida para desapertar e retirar o parafuso vedante.
3. Use uma seringa lubrificante (não incluída) para injetar algum lubrificante no orifício do parafuso. Não exceda 3/4 da capacidade.
4. Aperte o parafuso vedante após a injeção.

## GUARDAR A UNIDADE

- Retire a bateria da roçadora de fio quando não a utilizar.
- Limpe bem o aparelho antes de o guardar.
- Guarde a unidade num local seco, bem ventilado, trancado ou elevado, fora do alcance das crianças. Não armazene a unidade em cima ou perto de fertilizantes, gasolina ou outros químicos.

**Proteja o ambiente**

Não elimine o equipamento elétrico, o carregador da bateria e as baterias/ baterias recarregáveis juntamente com o lixo doméstico comum!

De acordo com a norma europeia 2002/19/UE, o equipamento elétrico e eletrônico que deixe de ser usado e de acordo com a norma europeia 2006/66/CE, as baterias gastas ou defeituosas têm de ser recolhidas em separado.

Se os equipamentos elétricos forem eliminados em aterros ou lixeiras, substâncias perigosas podem vaziar para os lençóis freáticos e entrar na cadeia de alimentação, danificando a sua saúde e bem-estar.

**PT**

## RESOLUÇÃO DE PROBLEMAS

PROBLEMA	CAUSA	SOLUÇÃO
A roçadora de fio não pega.	<ul style="list-style-type: none"> <li>■ A bateria não foi colocada na roçadora de fio.</li> <li>■ Não existe contacto elétrico entre a roçadora e a bateria.</li> <li>■ A bateria está gasta.</li> <li>■ O botão de desbloqueio e o gatilho não foram premidos em simultâneo.</li> </ul>	<ul style="list-style-type: none"> <li>■ Fixe a bateria na roçadora.</li> <li>■ Retire a bateria, verifique os contactos e volte a instalar a bateria.</li> <li>■ Carregue a bateria.</li> <li>■ Prima o botão de desbloqueio e mantenha premido, depois prima o gatilho para ligar a roçadora de fio.</li> </ul>
A roçadora de fio pára durante o corte.	<ul style="list-style-type: none"> <li>■ A proteção não está montada na roçadora, fazendo com que haja um fio excessivamente comprido e o sobreaquecimento do motor.</li> <li>■ Está a usar um fio de corte muito pesado.</li> <li>■ O eixo do motor ou a cabeça da roçadora está cheia de erva.</li> <li>■ O motor está sobrecarregado.</li> <li>■ A bateria ou a roçadora de fio estão muito quentes.</li> <li>■ A bateria foi retirada da ferramenta.</li> <li>■ A bateria está gasta.</li> </ul>	<ul style="list-style-type: none"> <li>■ Retire a bateria e monte a proteção na roçadora.</li> <li>■ Use o fio de corte de nylon recomendado com um diâmetro nunca superior a 2,4 mm.</li> <li>■ Pare a roçadora, retire a bateria e retire a relva do eixo do motor e da cabeça da roçadora.</li> <li>■ Retire a cabeça da roçadora da erva. O motor volta a funcionar mal a carga seja retirada. Quando cortar, mova a cabeça da roçadora para um lado e para o outro na erva a ser cortada e nunca retire mais de 20 cm num único corte.</li> <li>■ Deixe a bateria ou a roçadora arrefecer até que a temperatura desça abaixo dos 67 °C.</li> <li>■ Volte a colocar a bateria.</li> <li>■ Carregue a bateria.</li> </ul>

PROBLEMA	CAUSA	SOLUÇÃO
A cabeça da roçadora não faz o fio avançar.	<ul style="list-style-type: none"> <li>■ O eixo do motor ou a cabeça da roçadora está cheia de erva.</li> <li>■ Não há fio suficiente na bobina.</li> <li>■ A cabeça da roçadora está suja.</li> <li>■ O fio fica emaranhado na bobina.</li> <li>■ O fio é demasiado curto.</li> </ul>	<ul style="list-style-type: none"> <li>■ Pare a roçadora, retire a bateria e retire a relva do eixo do motor e da cabeça da roçadora.</li> <li>■ Retire a bateria e substitua o fio de corte. Siga a secção "SUBSTITUIÇÃO DO FIO" neste manual.</li> <li>■ Retire a bateria e limpe a cabeça da roçadora.</li> <li>■ Retire a bateria, retire o fio da cabeça da roçadora e enrole. Siga a secção "RECARREGAR O FIO DE CORTE" neste manual.</li> <li>■ Retire a bateria e puxe os fios enquanto pressiona alternadamente e liberta a cabeça da roçadora.</li> </ul>
A relva enrola-se à volta da cabeça da roçadora e da estrutura do motor.	<ul style="list-style-type: none"> <li>■ Cortar relva alta ao nível do solo.</li> </ul>	<ul style="list-style-type: none"> <li>■ Corte relva alta do topo até baixo, nunca retirando mais de 20 cm em cada passo, para evitar que a erva se enrole.</li> </ul>
Existem rachas na cabeça da roçadora ou o conjunto da cobertura inferior solta-se da cobertura superior.	<ul style="list-style-type: none"> <li>■ A cabeça da roçadora está gasta.</li> </ul>	<ul style="list-style-type: none"> <li>■ A cabeça da roçadora deverá ser substituída imediatamente por um técnico de reparação qualificado.</li> </ul>

## GARANTIA

### POLÍTICA DE GARANTIA EGO

Visite o website [egopowerplus.com](http://egopowerplus.com) para os termos e condições completos da política de garantia da EGO.

## LEGGERE TUTTE LE ISTRUZIONI!



### LEGGERE IL MANUALE DI ISTRUZIONI

**⚠️ Rischi residui!** Le persone portatrici di dispositivi elettronici, ad esempio pacemaker, devono consultare il proprio medico prima di usare questo prodotto. L'utilizzo di apparecchi elettrici in prossimità di pacemaker cardiaci comporta il rischio di interferenze o malfunzionamento del pacemaker.

**⚠️ AVVERTENZA!** Per garantire sicurezza e affidabilità, tutte le riparazioni e sostituzioni devono essere eseguite da un tecnico qualificato.

## SIMBOLI DI SICUREZZA

Lo scopo dei simboli di sicurezza è attirare l'attenzione dell'operatore su possibili pericoli. I simboli di sicurezza e le relative spiegazioni richiedono la massima attenzione e comprensione da parte dell'operatore. Le avvertenze espresse dai simboli, da sole, non eliminano tutti i rischi. Le istruzioni e le avvertenze non sostituiscono le adeguate misure di prevenzione contro gli incidenti.

**⚠️ AVVERTENZA!** Accertarsi di aver letto e compreso tutte le istruzioni di sicurezza in questo manuale, inclusi tutti i simboli di avvertenza come "**PERICOLO**", "**AVVERTENZA**" e "**ATTENZIONE**", prima di usare questo apparecchio. Il mancato rispetto di tutte le istruzioni elencate di seguito comporta il rischio di scossa elettrica, incendio e/o lesioni gravi.

## SIGNIFICATO DEI SIMBOLI

**AVVERTENZA DI SICUREZZA:** Indica PERICOLO, AVVERTENZA o ATTENZIONE. Può essere usato in combinazione con altri simboli.



**⚠️ AVVERTENZA!** L'uso di apparecchi elettrici può causare il lancio di oggetti estranei verso l'operatore, con il rischio di gravi lesioni agli occhi. Durante l'uso dell'apparecchio, indossare sempre occhiali protettivi o occhiali di sicurezza con protezioni laterali e, se necessario, una maschera facciale. Si consiglia di indossare una maschera di sicurezza con ampio campo visivo sopra gli occhiali o gli occhiali di sicurezza standard con protezioni laterali.

## ISTRUZIONI DI SICUREZZA

Questa pagina illustra e descrive i simboli di sicurezza che possono comparire sul prodotto. Leggere, comprendere e seguire tutte le istruzioni sull'apparecchio prima di tentare di assemblarlo e ripararlo.

	Avvertenza di sicurezza	Indica un potenziale rischio di infortunio.
	Leggere il manuale di istruzioni	Per ridurre il rischio di infortunio, l'utente deve leggere e comprendere tutte le istruzioni prima di usare questo prodotto.
	Indossare protezioni per gli occhi	Durante l'uso del prodotto, indossare sempre protezioni per le orecchie.
	Indossare protezioni per le orecchie	Durante l'uso del prodotto, indossare sempre protezioni per le orecchie.
	No lama di taglio	Non installare lame di taglio in metallo o plastica.
	Tenere lontane le altre persone	Assicurarsi che eventuali altre persone e animali rimangano ad almeno 15 m di distanza dall'apparecchio quando è in funzione.
	Tenere lontane le altre persone	Assicurarsi che eventuali altre persone e animali rimangano ad almeno 15 m di distanza dall'apparecchio quando è in funzione.
	Rumorosità	Livello di pressione sonora
	Grado di protezione	Protezione da schizzi d'acqua
V	Volt	Tensione
mm	Millimetro	Lunghezza o dimensioni
cm	Centimetro	Lunghezza o dimensioni
	Corrente continua	Tipo o caratteristica della corrente
n <sub>0</sub>	Velocità a vuoto	Velocità di rotazione, senza carico

IT

min <sup>-1</sup>	Al minuto	Rotazioni al minuto
-------------------	-----------	---------------------

## AVVERTENZE DI SICUREZZA IMPORTANTI

**⚠ AVVERTENZA!** Durante l'uso del decespugliatore è necessario rispettare alcune elementari norme di sicurezza per ridurre il rischio di incendio, scossa elettrica e infortunio, tra cui le seguenti.

## IT LEGGERE TUTTE LE ISTRUZIONI

**⚠ PERICOLO!** Non affidarsi esclusivamente all'isolamento dell'apparecchio contro le scosse elettriche. Per ridurre il rischio di folgorazione, non usare mai l'apparecchio in prossimità di fili o cavi che possono condurre corrente elettrica.

**⚠ ATTENZIONE!** Indossare adeguati dispositivi di protezione per le orecchie durante l'uso. In alcune circostanze e a seconda della durata di utilizzo, il rumore emesso da questo apparecchio può contribuire alla perdita dell'udito.

## FORMAZIONE ALL'USO DELL'APPARECCHIO

- Leggere attentamente le istruzioni. Familiarizzare con tutti i comandi e l'uso corretto della macchina.
- Non fare mai utilizzare l'apparecchio a bambini o a persone che non conoscono bene come fare funzionare l'apparecchio. Normative locali possono limitare l'uso in base all'età.
- Tenere presente che l'operatore o utente è responsabile per incidenti o rischi causati ad altre persone o proprietà.

## PREPARAZIONE

- Non azionare mai l'apparecchio se sono presenti persone, soprattutto bambini, o animali nelle vicinanze.
- Indossare sempre dispositivi di protezione per gli occhi e scarpe robuste durante l'uso dell'apparecchio.
- La distanza tra l'apparecchio e le altre persone presenti deve essere almeno 15 metri.
- Non usare lame metalliche

## FUNZIONAMENTO

- Usare l'apparecchio solo alla luce del giorno o con una buona illuminazione artificiale.
- Non usare l'apparecchio se la **protezione parasassi** o altri dispositivi di sicurezza sono danneggiati o mancanti.
- Accendere il motore esclusivamente quando mani e piedi sono lontani dall'accessorio di taglio.

- Scollegare sempre l'apparecchio dalla fonte di alimentazione (ovvero estrarre la spina dalla presa di corrente o rimuovere il gruppo batteria):

- prima di lasciare l'apparecchio incustodito;
- prima di eliminare un'ostruzione;
- prima di controllare, pulire o eseguire lavori sull'apparecchio;
- dopo aver urtato un oggetto estraneo;
- se l'apparecchio comincia a vibrare in modo anomalo.

- Fare attenzione a evitare lesioni a mani e piedi dovute all'accessorio di taglio.
- Verificare sempre che le aperture di ventilazione siano prive di detriti.

## MANUTENZIONE E CONSERVAZIONE

- Scollegare sempre l'apparecchio dalla fonte di alimentazione (ovvero estrarre la spina dalla presa di corrente o rimuovere il gruppo batteria) prima di effettuare qualsiasi operazione di manutenzione o pulizia.
- Usare esclusivamente accessori e parti di ricambio originali.
- Ispezionare l'apparecchio ed effettuare la manutenzione regolarmente. Affidare eventuali riparazioni dell'apparecchio esclusivamente a tecnici autorizzati.
- Quando non è in uso, riporre l'apparecchio fuori dalla portata dei bambini.

## AVVERTENZE DI SICUREZZA AGGIUNTIVE

- Evitare gli ambienti pericolosi - Non usare il decespugliatore in ambienti umidi o bagnati.
- Spegnerne sempre il decespugliatore o rimuovere il gruppo batteria prima di lasciare il decespugliatore incustodito.
- Non usare l'apparecchio sotto la pioggia.
- Tenere i bambini a distanza - Eventuali altre persone devono rimanere lontane dall'area di lavoro.
- Vestirsi adeguatamente - Non indossare indumenti ampi o gioielli perché possono impigliarsi nelle parti in movimento. Si raccomanda l'uso di guanti in gomma e calzature robuste durante i lavori all'aperto. Indossare un copricapo per raccogliere i capelli lunghi.
- Usare occhiali di sicurezza - Indossare sempre occhiali di sicurezza durante l'uso dell'apparecchio.
- Usare l'apparecchio appropriato - Non usare l'apparecchio per scopi diversi da quelli per cui è progettato.
- Non forzare il decespugliatore - Sarà più efficace e sicuro se usato al regime per cui è stato progettato.
- Non allungarsi eccessivamente - Tenere i piedi a contatto con il pavimento e mantenere sempre l'equilibrio .

- Rimanere vigili - Prestare attenzione al lavoro che si sta effettuando. Usare il buon senso. Non usare il decespugliatore se si è stanchi.
- Non usare il decespugliatore se si è sotto l'effetto di droghe o alcol.
- Mantenere la **protezione parasassi** dell'apparecchio installata e in buono stato.
- Conservare il decespugliatore in interni - Quando non è in uso, conservare il decespugliatore in interni, in un luogo asciutto e elevato o chiuso a chiave, privo di batteria e fuori dalla portata dei bambini.
- Mantenere il decespugliatore in buono stato - Mantenere pulito l'accessorio di taglio per ottimizzare le prestazioni e ridurre il rischio di infortunio. Seguire le istruzioni relative alla sostituzione degli accessori. Tenere le impugnature asciutte, pulite e prive di olio e grasso.
- Verificare l'assenza di componenti danneggiati - Se la **protezione parasassi** o un altro componente ha subito danni, ispezionarlo con attenzione per verificare che funzioni correttamente prima di usare nuovamente il decespugliatore. Verificare che le parti mobili non siano disallineate o piegate, che il telaio e i componenti non siano danneggiati e che non siano presenti altre condizioni suscettibili di compromettere il funzionamento del tagliasièpi. Se un dispositivo di protezione o un componente è danneggiato, deve essere riparato o sostituito da un centro di assistenza autorizzato, tranne se altrimenti specificato in questo manuale.
- Sgombrare l'area da tagliare prima di ogni utilizzo. Rimuovere oggetti come pietre, vetri rotti, chiodi, cavi o corde perché potrebbero venire lanciati o impigliarsi nell'accessorio di taglio. Tenere eventuali altre persone e animali ad almeno 15 metri di distanza.
- Prima di usare l'apparecchio e dopo qualsiasi urto, verificare l'assenza di segni di usura o rottura e procedere alla riparazione se necessario.
- Durante l'uso del decespugliatore, tenerlo sempre saldamente con entrambe le mani sull'impugnatura. Avvolgere le dita e i pollici intorno alle impugnature.
- Evitare l'avvio accidentale - Non trasportare il decespugliatore con il dito sull'interruttore.
- Non usare il decespugliatore in atmosfere esplosive o in presenza di benzina. Il motore di questo apparecchio genera scintille che possono dare fuoco ai vapori infiammabili.
- Danni all'apparecchio - Se il decespugliatore urta un oggetto estraneo o se rimane incastrato, spegnere immediatamente l'apparecchio, rimuovere il gruppo batteria, verificare l'assenza di danni o procedere alla riparazione prima di usarlo nuovamente. Non usare il decespugliatore se un dispositivo di sicurezza o la bobina sono danneggiati.
- Se l'apparecchio inizia a vibrare in modo anomalo, arrestare il motore, rimuovere il gruppo batteria e individuare immediatamente la causa. La vibrazione è generalmente sintomo di un problema: Se è allentata, la testa di taglio può vibrare, incrinarsi, rompersi o staccarsi dal decespugliatore, comportando il rischio di lesioni gravi o mortali. Verificare che l'accessorio di taglio sia fissato correttamente. Se la testa di taglio si allenta dopo averla fissata, sostituirla immediatamente. Non usare mai il decespugliatore se l'accessorio di taglio è allentato.
- Sostituire immediatamente la testa di taglio se è incrinata, danneggiata o usurata, anche se il danno è limitato a incrinature superficiali. Ad alta velocità, gli accessori di taglio possono frantumarsi e causare lesioni gravi o mortali.
- Ispezionare l'accessorio di taglio a brevi e regolari intervalli durante l'uso o immediatamente dopo aver rilevato un evidente cambiamento nell'efficienza di taglio.
- Usare esclusivamente bobine di filo sintetico autorizzate EGO™ e bobine di filo progettate per l'uso con questo apparecchio. Anche se alcuni accessori non autorizzati possono adattarsi al decespugliatore EGO™, il loro utilizzo può essere estremamente pericoloso e/o dannoso per l'apparecchio.
- Per ridurre il rischio di lesioni gravi, non usare mai filo metallico, rinforzato in metallo o in altri materiali in sostituzione del filo di taglio in nylon. Pezzi di filo metallico possono rompersi e venire lanciati ad alta velocità verso l'operatore o altre persone presenti.
- Per ridurre il rischio di infortunio dovuto a perdite di controllo, non lavorare mai su scale o su altri supporti instabili. Non tenere mai l'accessorio di taglio sopra l'altezza della vita.
- In caso di situazioni non contemplate in questo manuale, agire con cautela e usare il buon senso. Contattare il centro di assistenza EGO per assistenza.
- Non ricaricare il gruppo batteria sotto la pioggia o in luoghi umidi.
- Usare il prodotto esclusivamente con i gruppi batteria e caricabatteria EGO.

GRUPPO BATTERIA	CARICABATTERIA
BA1 120E, BA1400, BA2240E BA2800, BA3360, BA4200, BA1400T, BA2800T, BA4200T	CH2100E, CH5500E

- Il gruppo batteria deve essere rimosso dall'apparecchio prima che sia smaltito.
- La batteria deve essere smaltita in modo sicuro.

- Non gettare la batteria nel fuoco perché le celle potrebbero esplodere. Contattare le autorità locali per eventuali istruzioni di smaltimento specifiche.
- Non aprire o mutilare la batteria. Gli elettroliti rilasciati sono corrosivi e possono danneggiare gli occhi o la pelle o essere tossici se ingeriti.
- Prestare attenzione durante la manipolazione delle batterie per evitare il contatto con materiali conduttivi come anelli, braccialetti e chiavi. La batteria o il conduttore possono surriscaldarsi e causare ustioni.
- Durante la riparazione, usare esclusivamente parti di ricambio EGO™ identiche. L'uso di altri accessori aumenta il rischio di infortunio.
- Gli apparecchi a batteria non hanno bisogno di essere collegati a un impianto elettrico; pertanto sono sempre in condizioni operative. Tenere a mente i possibili rischi anche quando l'apparecchio non è in funzione. Prestare attenzione durante le operazioni di manutenzione o riparazione.
- Non pulire l'apparecchio con tubi per innaffiare; evitare le infiltrazioni d'acqua nel motore e nelle connessioni elettriche.
- Conservare queste istruzioni. Consultarle frequentemente e usarle per istruire gli altri utenti dell'apparecchio. Se si presta questo apparecchio ad altre persone, allegare anche queste istruzioni per evitare l'uso errato dell'apparecchio e il rischio di infortunio.
- Durante l'uso dell'apparecchio, indossare sempre scarpe robuste e pantaloni lunghi.
- Mantenere sempre i piedi a contatto con il terreno sulle pendenze; camminare e non correre.

## CONSERVARE QUESTE ISTRUZIONI!

## SPECIFICHE TECNICHE

Vtaggio		56 V $\overline{\text{---}}$
Giri a vuoto		5000/6000 min <sup>-1</sup>
Meccanismo di taglio		Testa con rilascio del filo mediante pressione
Tipo di filo di taglio		Filo in nylon attorcigliato 2,4 mm
Ampiezza di taglio		38 cm
Peso (senza gruppo batteria)		4,21Kg
Livello di potenza sonora misurato $L_{WA}$		94,3 dB(A) K=1,37 dB(A)
Livello di pressione sonora a livello dell'orecchio dell'operatore $L_{PA}$		82,6 dB(A) K=3 dB(A)
Livello di potenza sonora garantito $L_{WA}$ (misurato conformemente a 2000/14/EC)		96 dB(A)
Vibrazioni $a_h$	Impugnatura posteriore	3,97 m/s <sup>2</sup> K=1,5 m/s <sup>2</sup>
	Impugnatura anteriore	2,78 m/s <sup>2</sup> K=1,5 m/s <sup>2</sup>

## CONTENUTO DELLA CONFEZIONE

NOME COMPONENTE	QUANTITÀ
Decespugliatore a filo	1
Protezione parasassi	1
Gruppo impugnatura anteriore	1
Chiave esagonale	1
Chiave multifunzione	1
Tracolla	1
Manuale di istruzioni	1

## DESCRIZIONE

### DESCRIZIONE DEL DECESPUGLIATORE (Fig. A)

1. Anello limitatore
2. Interruttore a leva
3. Impugnatura posteriore
4. Ingresso dell'aria



5. Pulsante di sbloccaggio
6. Interruttore di velocità alta/bassa
7. Gancio per tracolla
8. Impugnatura anteriore regolabile
9. Tracolla
10. Chiave multifunzione
11. Chiave esagonale
12. Testa del decespugliatore (testa di rilascio del filo mediante pressione)
13. Filo di taglio
14. Linguetta di rilascio
15. Lama di taglio del filo
16. Protezione parasassi
17. Meccanismo di espulsione
18. Contatti elettrici
19. Dispositivo di chiusura
20. Cuscinetto protettivo in gomma
21. Pulsante di rilascio della batteria

## ASSEMBLAGGIO

**AVVERTENZA!** In caso di componenti danneggiati o mancanti, non usare l'apparecchio finché i componenti non vengono sostituiti. L'uso dell'apparecchio con componenti danneggiati o mancanti comporta il rischio di lesioni gravi.

**AVVERTENZA!** Non tentare di modificare l'apparecchio o creare accessori non raccomandati per l'uso con questo apparecchio. Tali alterazioni o modifiche costituiscono un uso improprio e comportano condizioni pericolose e il rischio di lesioni gravi.

**AVVERTENZA!** Per evitare l'avvio accidentale e il conseguente rischio di lesioni gravi, rimuovere sempre il gruppo batteria dall'apparecchio durante l'assemblaggio dei componenti.

### INSTALLAZIONE DELLA PROTEZIONE PARASASSI

**AVVERTENZA!** Indossare sempre i guanti durante l'installazione o la sostituzione della protezione parasassi. Fare attenzione alla lama sulla protezione parasassi e proteggere le mani dal rischio di lesioni.

**AVVERTENZA!** Non usare l'apparecchio se la protezione parasassi non è posizionata correttamente e saldamente. La protezione parasassi deve essere sempre installata per proteggere l'operatore! Dopo aver fissato la protezione parasassi, non tentare mai di rimuoverla o regolarla. Se è necessario sostituirla, affidare l'operazione a un tecnico qualificato!

1. Allentare e rimuovere le due viti dalla protezione parasassi (Fig. B).
2. Allineare i fori di montaggio della cuffia con i fori di assemblaggio, quindi bloccare la cuffia sulla base dell'albero con le due viti e le due rondelle a molla.

**NOTA:** accertarsi che la cuffia sia fissata come illustrato in Fig. B e C; un fissaggio invertito comporta gravi rischi!

### INSTALLAZIONE E REGOLAZIONE DELL'IMPUGNATURA ANTERIORE

1. Allentare il perno di bloccaggio nell'impugnatura anteriore e rimuoverlo insieme al dado a farfalla (Fig. D).

Descrizione delle parti in Fig. D:

D-1	Perno di bloccaggio	D-3	Morsetto
D-2	Impugnatura anteriore	D-4	Dado a farfalla

2. Fare scorrere l'impugnatura anteriore sull'asta (Fig. E).
3. Inserire il morsetto nella fessura dell'impugnatura (Fig. F).
4. Inserire il perno di bloccaggio e serrarlo leggermente con il dado a farfalla. Accertarsi che l'impugnatura anteriore sia ruotata verso l'alto e rivolta verso la parte superiore dell'impugnatura posteriore (Fig. G).
5. Regolare la posizione dell'impugnatura anteriore tra l'anello limitatore e l'etichetta affinché il proprio braccio anteriore sia dritto durante l'uso (Fig. H).
6. Fissare la leva del perno di bloccaggio (Fig. I).

**NOTA:** l'impugnatura anteriore deve essere ruotata verso l'alto affinché punti verso la parte superiore dell'impugnatura posteriore.

**AVVERTENZA!** Fissare l'impugnatura anteriore esclusivamente tra l'anello limitatore e l'etichetta sull'asta.

**AVVERTENZA!** L'apparecchio non può essere usato senza l'impugnatura anteriore fissata saldamente.

### INSTALLAZIONE DELLA TRACOLLA

Premere il moschettone della tracolla per aprirlo e fissarlo all'apposito gancio (Fig. J).

## UTILIZZO

**AVVERTENZA!** La familiarità con questo apparecchio non deve rendere l'operatore disattento. Anche un solo momento di disattenzione comporta il rischio di lesioni gravi.

**AVVERTENZA!** Indossare sempre occhiali di sicurezza con o senza schermi laterali, insieme a protezioni per le orecchie, per evitare il contatto di eventuali oggetti lanciati dall'apparecchio con gli occhi e altre lesioni gravi.

**AVVERTENZA!** Non usare accessori non raccomandati dal costruttore dell'apparecchio. L'uso di accessori non raccomandati comporta il rischio di lesioni gravi.

**AVVERTENZA!** Per evitare lesioni gravi, rimuovere il gruppo batteria dall'apparecchio prima di pulirlo o ripararlo e prima di sostituire gli accessori o rimuovere del materiale dall'apparecchio.

Questo prodotto può essere usato per gli scopi elencati di seguito.

**Rifinitura:** per rimuovere erba e erbacce contro muri, steccati, alberi e bordi.

**Taglio:** per tagliare erba difficile da raggiungere con un normale tosaerba.

**NOTA:** usare l'apparecchio esclusivamente per gli scopi previsti. Altri utilizzi, ad esempio come bordatore, sono da considerarsi impropri.

## INSTALLARE/RIMUOVERE IL GRUPPO BATTERIA

### Ricaricare completamente prima del primo utilizzo

#### Installazione

Allineare i rilievi sul gruppo batteria con le scanalature di assemblaggio e premere il gruppo batteria fino al "clic" (Fig. K).

#### Rimozione

Premere il pulsante di rilascio della batteria ed estrarre il gruppo batteria come illustrato in Fig. L.

Descrizione delle parti in Fig. L:

L-1	Pulsante di rilascio della batteria
-----	-------------------------------------

## COME IMPUGNARE IL DECESPUGLIATORE

**AVVERTENZA!** Vestirsi adeguatamente per ridurre il rischio di infortunio durante l'uso dell'apparecchio. Non indossare indumenti ampi o gioielli. Indossare dispositivi di protezione per gli occhi/orecchie. Indossare pantaloni lunghi e pesanti, stivali e guanti. Non indossare pantaloni corti o sandali e non usare l'apparecchio a piedi nudi.

Prima dell'uso, indossare protezioni per gli occhi e indumenti adatti, assumere una posizione in equilibrio e mantenere diritto il braccio che afferra l'impugnatura anteriore ausiliaria.

**NOTA:** la testa del decespugliatore è parallela al terreno a una corretta distanza di taglio, senza che l'operatore debba piegarsi in avanti (Fig. N).

Per un funzionamento migliore e sicuro, indossare la tracolla sulla spalla come illustrato in Fig. N. Regolare la tracolla in una posizione di lavoro confortevole. Impugnare il decespugliatore con entrambe le mani: una mano sull'impugnatura posteriore e una mano sull'impugnatura anteriore ausiliaria.

Sono disponibili due modalità di rilascio della tracolla. È possibile sfilarla direttamente dalla spalla (Fig. O) o premere il moschettone della tracolla e separarla dal gancio fissato sull'asta (Fig. P).

**AVVERTENZA!** La tracolla funziona anche da meccanismo di rilascio rapido in situazioni di pericolo. In caso di emergenza, sfilarla immediatamente dalla spalla, indipendentemente dalla sua modalità di fissaggio.

## AVVIO/ARRESTO DEL DECESPUGLIATORE (Fig. M)

### Avvio

Tenere premuto il pulsante di sbloccaggio, quindi premere l'interruttore a leva. La velocità di rotazione del filo di taglio è proporzionale alla pressione esercitata sull'interruttore a leva. Maggiore è la pressione, maggiore è la velocità.

### Arresto

Rilasciare l'interruttore a leva.

**NOTA:** il motore entrerà in funzione esclusivamente quando il pulsante di sbloccaggio e l'interruttore a leva sono premuti contemporaneamente.

**AVVERTENZA!** Rimuovere sempre il gruppo batteria dal decespugliatore durante le pause e al termine del lavoro.

### Funzione di regolazione della velocità (Fig. M)

L'apparecchio dispone di due velocità: la posizione "1" corrisponde alla bassa velocità mentre la posizione "2" corrisponde all'alta velocità. Spostare l'interruttore di velocità alta/bassa per selezionare la velocità adatta durante l'uso.

Descrizione delle parti in Fig. M:

M-1	Interruttore di velocità alta/bassa
M-2	Pulsante di sbloccaggio
M-3	Interruttore a leva

### FUNZIONAMENTO DEL DECESPUGLIATORE

**AVVERTENZA!** Per evitare lesioni gravi, indossare sempre occhiali di protezione o di sicurezza durante tutto l'uso dell'apparecchio. Indossare una maschera facciale o antipolvere in ambienti polverosi.

Sgombrare l'area da tagliare prima di ogni utilizzo. Rimuovere oggetti come pietre, vetri rotti, chiodi, cavi o corde perché potrebbero venire lanciati o impigliarsi nell'accessorio di taglio. Tenere lontani dall'area di lavoro bambini, altre persone e animali. Tenere eventuali bambini, altre persone e animali ad almeno 15m di distanza; permane tuttavia il rischio di lesioni alle altre persone dovute al lancio di oggetti. Si raccomanda di far indossare dei dispositivi di protezione per gli occhi a eventuali persone presenti. Se un'altra persona si avvicina, arrestare immediatamente il motore e l'accessorio di taglio.

#### Prima di ogni utilizzo, verificare l'assenza di componenti danneggiati/usurati

Ispezionare la testa di taglio, la **protezione parasassi** e l'impugnatura anteriore ausiliaria e sostituire i componenti incrinati, deformati, piegati o danneggiati in qualsiasi modo.

La lama del filo di taglio sul bordo della **protezione parasassi** può smussarsi col tempo. Si consiglia di affilarla periodicamente con una lima o di sostituirla con una lama nuova.

**AVVERTENZA!** Indossare sempre i guanti durante l'installazione della **protezione parasassi**. Fare attenzione alla lama sulla **protezione parasassi** e proteggere le mani dal rischio di lesioni.

#### Pulire il decespugliatore dopo ogni utilizzo.

**ATTENZIONE!** L'ostruzione delle aperture di ventilazione impedirà il flusso d'aria all'interno del vano motore, causando il surriscaldamento o il danneggiamento del motore.

- Usare esclusivamente sapone neutro e un panno umido per pulire l'apparecchio. Evitare la penetrazione di liquidi all'interno dell'apparecchio. Non immergere mai alcuna parte dell'apparecchio in liquidi.
- Mantenere le aperture di ventilazione sul vano motore prive di detriti.

**AVVERTENZA!** Non usare mai acqua per pulire l'apparecchio. Evitare l'uso di solventi durante la pulizia delle parti in plastica. La maggior parte dei materiali plastici può essere danneggiata da diversi tipi di solventi in commercio. Usare un panno pulito per rimuovere sporizia, polvere, olio, grasso, ecc.

### REGOLARE LA LUNGHEZZA DEL FILO DI TAGLIO

La testa di taglio permette all'operatore di allungare il filo di taglio senza arrestare il motore. Quando il filo diventa sfilacciato o usurato, allungarlo premendo leggermente la testa di taglio sul terreno mentre il decespugliatore è in funzione (Fig. Q).

**NOTA:** allungare il filo diventa più difficile mano a mano che il filo di taglio si accorcia.

**AVVERTENZA!** Non rimuovere o alterare la lama del filo di taglio. Una lunghezza eccessiva del filo causerà il surriscaldamento del motore e il conseguente rischio di lesioni gravi.

### SOSTITUZIONE DEL FILO

**NOTA:** utilizzare esclusivamente il filo di taglio in nylon raccomandato con diametro non superiore a 2,4 mm. L'uso di fili diversi da quello specificato comporta il rischio di surriscaldamento o danneggiamento del decespugliatore.

**AVVERTENZA!** Non usare mai cavi, fili rinforzati in metallo, corda, ecc. perché possono rompersi e diventare proiettili pericolosi.

1. Rimuovere il gruppo batteria.
2. Rimuovere il filo di taglio rimanente, se necessario.
3. Tagliare 4 m di filo e inserire il filo nel foro di montaggio all'interno dell'occhiello (Fig. R). Spingere e tirare il filo dall'altro lato finché da entrambi i lati della bobina non fuoriescono quantità uguali.
4. Premere e contemporaneamente ruotare il gruppo coperchio inferiore in direzione della freccia per avvolgere il filo sulla bobina, finché da ogni lato non rimangono circa 14 cm di filo (Fig. S).

5. Spingere il gruppo coperchio inferiore verso il basso e contemporaneamente tirare i fili per farli avanzare manualmente e controllare il corretto assemblaggio della testa di taglio.

Se il filo di taglio si rompe a livello dell'uscita del filo o se il filo di taglio non viene rilasciato alla pressione della testa di taglio, seguire i passaggi descritti di seguito.

1. Premere le linguette di rilascio sul coperchio superiore e rimuovere il gruppo coperchio inferiore estraendolo in linea retta (Fig. T e U).
2. Rimuovere il filo di taglio dalla bobina.
3. Tenendo con una mano il gruppo coperchio inferiore, afferrare con l'altra mano il gruppo coperchio inferiore e allineare le linguette sul coperchio superiore con i fori nella base del gruppo coperchio inferiore (Fig. V); usare il palmo della mano per premere e il gruppo coperchio inferiore finché le linguette non si incastrano nel coperchio superiore.
4. Seguire le istruzioni alla sezione "SOSTITUZIONE DEL FILO" per ricaricare il filo di taglio.

## MANUTENZIONE

**AVVERTENZA!** Per la riparazione dell'apparecchio, usare esclusivamente parti di ricambio identiche. Ispezionare l'apparecchio ed effettuare la manutenzione regolarmente. Per garantire sicurezza e affidabilità, tutte le riparazioni e sostituzioni devono essere eseguite da un tecnico qualificato.

**AVVERTENZA!** Gli apparecchi a batteria non hanno bisogno di essere collegati a un impianto elettrico; pertanto sono sempre in condizioni operative. Per evitare lesioni gravi, prestare particolare attenzione durante le operazioni di manutenzione o riparazione e la sostituzione dell'accessorio di taglio o di altri accessori.

**AVVERTENZA!** Per evitare lesioni gravi, rimuovere il gruppo batteria dall'apparecchio prima di pulirlo o ripararlo e prima di sostituire gli accessori o rimuovere del materiale dall'apparecchio.

### PULIZIA DELL'APPARECCHIO

- Pulire l'apparecchio usando un panno inumidito con del detergente neutro.
- Non usare detergenti aggressivi sulle superfici esterne in plastica o sull'impugnatura perché possono essere danneggiate da alcuni oli aromatici, come pino e limone, e da solventi come il cherosene. L'umidità comporta il rischio di scossa elettrica. Rimuovere eventuali segni di umidità con un panno asciutto e morbido.
- Usare una piccola spazzola o un piccolo aspirapolvere per pulire le aperture di ventilazione sulla parte posteriore dell'apparecchio.

### LUBRIFICAZIONE DEGLI INGRANAGGI DI TRASMISSIONE

Gli ingranaggi di trasmissione nella scatola degli ingranaggi devono essere lubrificati periodicamente con del grasso per ingranaggi. Controllare il livello del grasso della scatola degli ingranaggi ogni 50 ore di utilizzo rimuovendo la vite sigillante sul lato della scatola.

Se ai lati dell'ingranaggio non è visibile del grasso, seguire i passaggi riportati di seguito per riempirlo di grasso fino ai 3/4 della sua capacità. Non riempire completamente gli ingranaggi di trasmissione.

1. Posizionare il decespugliatore su un lato affinché la vite sigillante sia rivolta verso l'alto (Fig. W).
2. Usare la chiave multifunzione fornita per allentare e rimuovere la vite sigillante.
3. Usare una siringa per grasso (non inclusa) per iniettare del grasso nel foro della vite; non superare i 3/4 della capacità.
4. Serrare la vite sigillante dopo il riempimento.

### CONSERVAZIONE DELL'APPARECCHIO

- Rimuovere il gruppo batteria dal decespugliatore quando non è in uso.
- Pulire accuratamente l'apparecchio prima di riporlo.
- Conservare l'apparecchio in un luogo asciutto, ben ventilato, elevato o chiuso a chiave, e fuori dalla portata dei bambini. Non conservare l'apparecchio sopra o in prossimità di fertilizzanti, benzina o altre sostanze chimiche.

**Protezione dell'ambiente**

Non smaltire gli apparecchi elettrici, caricabatteria e batterie/batterie ricaricabili insieme ai rifiuti indifferenziati!

Conformemente alle direttive europee 2012/19/EU e 2006/66/CE, i rifiuti di apparecchiature elettriche ed elettroniche, pile e accumulatori devono essere raccolti separatamente e smaltiti nel rispetto dell'ambiente.

Se gli apparecchi elettrici vengono smaltiti nelle discariche, le sostanze pericolose possono infiltrarsi nelle falde acquifere e contaminare la catena alimentare, con effetti dannosi sulla salute e il benessere.

**IT**

## RISOLUZIONE DEI PROBLEMI

PROBLEMA	CAUSA	SOLUZIONE
<p>Il decespugliatore non si avvia.</p>	<ul style="list-style-type: none"> <li>■ Il gruppo batteria non è installato sul decespugliatore.</li> <li>■ Il contatto elettrico tra il decespugliatore e la batteria è mancante.</li> <li>■ Il gruppo batteria è scarico.</li> <li>■ Il pulsante di sbloccaggio e l'interruttore a leva non sono stati premuti contemporaneamente.</li> </ul>	<ul style="list-style-type: none"> <li>■ Installare il gruppo batteria sul decespugliatore.</li> <li>■ Rimuovere la batteria, ispezionare i contatti e reinstallare il gruppo batteria.</li> <li>■ Ricaricare il gruppo batteria.</li> <li>■ Per avviare il decespugliatore, tenere premuto il pulsante di sbloccaggio contemporaneamente all'interruttore a leva.</li> </ul>
<p>Il decespugliatore si arresta durante il taglio.</p>	<ul style="list-style-type: none"> <li>■ La <b>protezione parasassi</b> non è installata sul decespugliatore, causando l'eccessiva lunghezza del filo di taglio e il sovraccarico del motore.</li> <li>■ È in uso un filo di taglio troppo spesso.</li> <li>■ L'albero motore o la testa di taglio sono bloccati dall'erba.</li> <li>■ Il motore è sovraccarico.</li> <li>■ Il gruppo batteria o il decespugliatore sono troppo caldi.</li> <li>■ Il gruppo batteria non è installato sull'apparecchio.</li> <li>■ Il gruppo batteria è scarico.</li> </ul>	<ul style="list-style-type: none"> <li>■ Rimuovere il gruppo batteria e installare la <b>protezione parasassi</b> sul decespugliatore.</li> <li>■ Utilizzare filo di taglio in nylon raccomandato con diametro non superiore a 2,4 mm.</li> <li>■ Arrestare il decespugliatore, rimuovere la batteria e rimuovere l'erba dall'albero motore e dalla testa di taglio.</li> <li>■ Rimuovere la testa di taglio dall'erba. Il motore si riavvierà alla rimozione del carico. Durante il taglio, spostare la testa di taglio dentro e fuori dall'erba da tagliare e rimuovere non più di 20 cm di lunghezza a ogni passata.</li> <li>■ Attendere che la temperatura del gruppo batteria e del decespugliatore scenda al di sotto di 67°C</li> <li>■ Reinstallare il gruppo batteria.</li> <li>■ Ricaricare il gruppo batteria.</li> </ul>

PROBLEMA	CAUSA	SOLUZIONE
Non è possibile allungare il filo della testa di taglio.	<ul style="list-style-type: none"> <li>■ L'albero motore o la testa di taglio sono bloccati dall'erba.</li> <li>■ La bobina non contiene abbastanza filo.</li> <li>■ La testa di taglio è sporca.</li> <li>■ Il filo è impigliato sulla bobina.</li> <li>■ Il filo è troppo corto.</li> </ul>	<ul style="list-style-type: none"> <li>■ Arrestare il decespugliatore, rimuovere la batteria e pulire l'albero motore e la testa di taglio.</li> <li>■ Rimuovere la batteria e sostituire il filo di taglio. Seguire le istruzioni alla sezione SOSTITUZIONE DEL FILO in questo manuale.</li> <li>■ Rimuovere la batteria e pulire la testa di taglio.</li> <li>■ Rimuovere la batteria, rimuovere il filo dalla testa di taglio e riavvolgerlo. Seguire le istruzioni alla sezione SOSTITUZIONE DEL FILO in questo manuale.</li> <li>■ Rimuovere la batteria, quindi tirare il filo manualmente, e nel contempo premere e rilasciare la testa di taglio.</li> </ul>
L'erba si avvolge intorno alla testa di taglio e al vano motore.	<ul style="list-style-type: none"> <li>■ Tagliare l'erba a livello del terreno.</li> </ul>	<ul style="list-style-type: none"> <li>■ Tagliare l'erba dall'alto verso il basso, rimuovendo non più di 20 cm a ogni passata per evitare il problema.</li> </ul>
Incrinature sulla testa di taglio, o il gruppo coperchio inferiore è allentato dal coperchio superiore.	<ul style="list-style-type: none"> <li>■ La testa di taglio è usurata.</li> </ul>	<ul style="list-style-type: none"> <li>■ Sostituire immediatamente la testa di taglio, affidando l'operazione a un tecnico qualificato.</li> </ul>

## GARANZIA

### CONDIZIONI DELLA GARANZIA EGO

Visitare il sito web [egopowerplus.com](http://egopowerplus.com) per consultare le condizioni complete della garanzia EGO.

## LEES ALLE INSTRUCTIES!



### LEES DE GEBRUIKSAANWIJZING

**⚠ Restrisico!** Personen met elektronische apparaten, zoals pacemakers, moeten eerst hun art(sen) raadplegen voordat ze dit product mogen gebruiken. De werking van een elektrisch apparaat in de nabijheid van een pacemaker kan een storing of defect aan de pacemaker veroorzaken.

**⚠ WAARSCHUWING:** Om een continue veiligheid en betrouwbaarheid te waarborgen, dienen alle reparaties en vervangingen van onderdelen uitgevoerd te worden door een vakbekwame reparateur.

## SAFETY SYMBOLS

Het doel van de veiligheidssymbolen is om u te wijzen op mogelijke gevaren. Besteed daarom voldoende aandacht hieraan en begrijp de veiligheidssymbolen en bijbehorende uitleg. De symboolwaarschuwingen op zich elimineren geen enkel gevaar. De gegeven instructies en waarschuwingen gelden niet als vervanging voor gepaste voorzorgsmaatregelen tegen ongevallen.

**⚠ WAARSCHUWING:** Lees en begrijp alle veiligheidsinstructies die in deze gebruikershandleiding zijn vermeld, waaronder alle veiligheidssymbolen zoals "GEVAAR", "WAARSCHUWING", en "OPGELET" voordat u dit apparaat in gebruik neemt. Het negeren van onderstaande instructies kan leiden tot elektrische schokken, brand en/of ernstig persoonlijk letsel.

## BETEKENIS VAN DE SYMBOLEN

**WAARSCHUWINGSSYMBOL:** Geeft GEVAAR, WAARSCHUWING of OPGELET aan. Kan worden gebruikt in combinatie met andere symbolen of pictogrammen.



**⚠ WAARSCHUWING:** De werking van het apparaat kan leiden tot het rondslingeren van (vreemde) objecten die in uw ogen kunnen terechtkomen. Dit kan leiden tot ernstig oogletsel. Wanneer u elektrische apparaten gebruikt, zorg er dan voor dat u altijd een veiligheidsbril (met zicschermen) of een gelaatsscherm draagt. We bevelen aan om een gelaatsscherm over uw bril of standaard veiligheidsbril met zicschermen te gebruiken.

## VEILIGHEIDSVORSCHRIFTEN

Deze pagina toont en beschrijft alle veiligheidssymbolen die zich op dit product kunnen bevinden. Lees, begrijp en volg alle instructies op de machine voordat u deze in elkaar zet en gebruikt.

	Veiligheidswaarschuwing	Geeft een risico op persoonlijk letsel aan.
	Lees de gebruikershandleiding	De gebruiker dient de gebruiksaanwijzing voor het gebruik van dit product te lezen en te begrijpen om risico op letsel te beperken.
	Draag oogbescherming	Draag altijd oogbescherming wanneer u dit product gebruikt.
	Draag oogbescherming	Draag altijd gehoorbescherming wanneer u dit product gebruikt.
	Geen zaagblad	Installeer geen metalen of kunststof messen
	Houd omstanders uit de buurt	Zorg ervoor dat andere personen en huisdieren zich op minstens 15m afstand van de grastrimmer bevinden wanneer deze in gebruik is.
	Houd omstanders uit de buurt	Zorg ervoor dat andere personen en huisdieren zich op minstens 15m afstand van de grastrimmer bevinden wanneer deze in gebruik is.
	Lawaai	Geluidsdrukkniveau
	Beschermingsgraad bij binnen-dringen	Bescherming tegen opspattend water
V	Volt	Spanning
mm	Millimeter	Lengte of afmeting
cm	Centimeter	Lengte of afmeting
	Gelijkstroom	Stroomtype of -karakteristiek



$n_0$	Snelheid zonder belasting	Draaisnelheid, zonder belasting
min <sup>-1</sup>	Per minuut	Toeren per minuut

## BELANGRIJKE VEILIGHEIDSLINSTRUCTIES

**⚠ WAARSCHUWING!** Tijdens het gebruik van elektrische grastrimmers, moeten de volgende standaard veiligheidsmaatregelen worden genomen om het risico op brand, elektrische schokken en persoonlijk letsel te vermijden:

### LEES ALLE INSTRUCTIES

**⚠ GEVAAR!** Vertrouw niet op de isolatie van het gereedschap om elektrische schokken te voorkomen. Om het risico op elektrocutie te beperken, bedien het gereedschap nooit in de buurt van bedrading of kabels die onder elektrische stroom kunnen staan.

**⚠ OPGELET:** Draag gepaste persoonlijke gehoorbescherming tijdens gebruik. In bepaalde omstandigheden en afhankelijk van de gebruiksduur kan het lawaai dat dit product produceert tot gehoorverlies leiden.

### OPLEIDING

- Lees de instructies aandachtig door. Maak u vertrouwd met de bedieningsknoppen en het juiste gebruik van de machine.
- Kinderen of personen die de instructies niet kennen mogen dit apparaat niet gebruiken. De lokale wetgeving kan de leeftijd van de bediener begrenzen.
- Onthoud dat de bediener of gebruiker verantwoordelijk is voor ongevallen of gevaren die zich bij ander personen of hun eigendommen voordoen.

### VOORBEREIDING

- Gebruik de machine nooit als er zich mensen, in het bijzonder kinderen of huisdieren, in de buurt bevinden.
- Draag altijd oogbescherming en stevige schoenen wanneer de machine in werking is.
- De afstand tussen de machine en de omstanders mag niet minder dan 15m zijn.
- Gebruik geen metalen messen

### GEBRUIK

- Gebruik de machine alleen bij daglicht of voldoende kunstmatig licht.
- Gebruik de machine nooit met beschadigde schermen of zonder dat de schermen gemonteerd zijn.

- Schakel de motor alleen in wanneer uw handen en voeten zich uit de buurt van het snijelement bevinden.
- Ontkoppel altijd de machine van de voeding (d.w.z. haal de stekker uit het stopcontact of verwijder het ontkoppelingsmechanisme),
  - wanneer de machine zonder toezicht wordt achtergelaten;
  - voor het verwijderen van een verstopping;
  - voor het controleren, reinigen of onderhouden van de machine;
  - na het raken van een vreemd voorwerp;
  - telkens de machine overmatig trilt.
- Zorg dat u geen letsel oploopt aan uw handen en voeten door het snijelement
- Zorg dat de ventilatieopeningen altijd vrij van vuil zijn.

### ONDERHOUD EN OPSLAG

- Ontkoppel altijd de machine van de voeding (d.w.z. haal de stekker uit het stopcontact of verwijder het ontkoppelingsmechanisme) alvorens schoon te maken of te onderhouden.
- Gebruik alleen reserve-onderdelen of accessoires die door de fabrikant zijn aanbevolen.
- Controleer en onderhoud de machine regelmatig. Laat de machine alleen door een erkende reparateur repareren.
- Wanneer niet in gebruik, berg de machine op buiten het bereik van kinderen.

### ANDERE VEILIGHEIDSWAARSCHUWINGEN

- Vermijd gevaarlijke omgevingen – Gebruik de trimmer niet in een vochtige of natte omgeving.
- Schakel de grastrimmer altijd uit of verwijder het accupack wanneer u de trimmer zonder toezicht achterlaat.
- Gebruik de machine niet als het regent.
- Houd kinderen uit de buurt – Alle omstanders moeten zich op een veilige afstand van het werkgebied bevinden.
- Draag gepaste kleding - Draag geen loshangende kleding of juwelen. Deze kunnen in de bewegende onderdelen vast komen te zitten. Rubber handschoenen en stevig schoeisel worden aanbevolen wanneer u buitenshuis werkt. Bedek lang haar met een haarnet.
- Veiligheidsbril gebruiken - Gebruik altijd een veiligheidsbril tijdens het gebruik van het gereedschap.
- Gebruik het gepaste gereedschap - Gebruik het gereedschap alleen waarvoor het is bedoeld.

- Forceer de trimmer niet - De taak zal beter uitgevoerd worden en met minder kans op letsel als het apparaat wordt gebruikt aan de snelheid waarvoor het ontworpen is.
- Reik niet te ver - Zorg er altijd voor dat u stevig en stabiel staat.
- Blijf aandachtig – Let op wat u doet. Gebruik uw gezond verstand. Gebruik de grastrimmer niet als u moe bent.
- Gebruik de trimmer niet als u onder de invloed van alcohol of drugs bent.
- Houd de schermen op hun plaats en in een goede staat.
- Berg de trimmer binnenshuis op - Berg de trimmer op in een droge, hoge of vergrendelde ruimte met het accupack verwijderd, en buiten het bereik van kinderen wanneer niet in gebruik.
- Draag zorg voor uw trimmer - Houd het snijelement schoon voor de beste prestaties en om het risico op letsel te beperken. Volg de instructies over het vervangen van accessoires. Houd de handvatten droog, schoon en vrij van olie en smeervet.
- Controleer op beschadigde onderdelen - Voordat u de beschadigde trimmer, een scherm of een ander beschadigd onderdeel verder gebruikt, controleer deze grondig om na te gaan of het gereedschap juist zal werken en zijn bedoelde functie zal uitvoeren. Controleer op de uittijning van de bewegende onderdelen, de verbinding van de bewegende onderdelen, breuk van onderdelen of andere condities die de werking kunnen beïnvloeden. Laat een beschadigd scherm of ander onderdeel op een juiste wijze repareren of vervangen door een bevoegd servicecentrum tenzij anders aangegeven in deze gebruiksaanwijzing.
- Voor gebruik, verwijder alle mogelijke obstakels uit de te maaien zone. Verwijder voorwerpen zoals rotsen, gebroken glas, nagels, draad of koorden, die opgegooid kunnen worden of in het snijelement terecht kunnen komen. Houd andere personen en huisdieren op een afstand van minstens 15m.
- Voordat u de machine gebruikt en na een val, controleer deze op tekenen van schade of slijtage en laat repareren indien nodig.
- Houd de trimmer altijd stevig vast, met beide handen op de handvatten, wanneer in werking. Sla uw vingers en duimen om de handvatten.
- Voorkom ongewenst starten – Draag de trimmer niet met uw vingers op de trekker.
- Gebruik de trimmer niet in een explosieve atmosfeer of in een ruimte waar aardolie aanwezig is. De motor in dit apparaat kan vonken produceren. Deze vonken kunnen dampen in brand steken.
- Schade aan de trimmer – Als u een vreemd voorwerp met de trimmer raakt of als de trimmer vast komt te zitten, schakel het gereedschap onmiddellijk uit, haal het accupack uit de grastrimmer, controleer op schade en laat het gereedschap repareren voordat u het opnieuw gebruikt. Gebruik het apparaat niet met een beschadigd scherm of spoel.
- Als het gereedschap abnormaal trilt, stop de motor, haal het accupack uit de grastrimmer en zoek onmiddellijk naar de oorzaak. Trilling wijst vaak op een storing. Een losse kop kan trillen, barsten, breken of van de trimmer los komen, wat tot ernstig letsel of de dood kan leiden. Zorg dat het snijelement juist op zijn positie is vastgemaakt. Als de kop na bevestiging op de juiste positie loskomt, vervang het onmiddellijk. Gebruik nooit een trimmer met een los snijelement.
- Vervang een gebarsten, beschadigde of versleten snijkop onmiddellijk, zelfs al is de schade beperkt tot oppervlakkige barstjes. De snijkop kan tegen hoge snelheid uiteenspaten en tot ernstig letsel of de dood leiden.
- Controleer het snijelement regelmatig tijdens de werking of onmiddellijk na een duidelijke wijziging in de snijprestaties.
- Gebruik alleen door EGO™ geautoriseerde polymeer trimmerdraad accessoires en trimmerdraad welke zijn ontworpen voor het gebruik met dit gereedschap. Alhoewel bepaalde niet erkende toebehoren op de EGO™ grastrimmer gemonteerd kunnen worden, kan het gebruik ervan tot ernstig letsel, de dood of schade aan het gereedschap veroorzaken.
- Om het risico op ernstig letsel te beperken, gebruik nooit metaal versterkt draad of ander materiaal in plaats van het nylon trimmerdraad. Stukken draad kunnen losbreken en tegen een hoge snelheid naar de gebruiker of omstanders worden geslingerd.
- Om het risico op letsel door controleverlies te voorkomen, werk nooit op een lader of andere onveilige steun. Houd het snijelement nooit boven uw middel.
- Als er zich situaties voordoen die niet in deze handleiding zijn behandeld, gebruik uw gezond verstand. Neem contact op met het EGO servicecentrum voor bijstand.
- Laad het accupack niet op als het regent of in een natte omgeving.
- Gebruik alleen met EGO's accupacks en opladers.

ACCUPACK	OPLADER
BA1120E, BA1400, BA2240E BA2800, BA3360, BA4200, BA1400T, BA2800T, BA4200T	CH2100E, CH5500E

- Haal het accupack uit het apparaat alvorens het apparaat af te danken.
- Gooi het accupack op een veilige manier weg.
- Gooi de accu niet in vuur. De batterijen kunnen ontploffen. Neem contact op met uw gemeente voor eventuele speciale verwijderingsvoorschriften.
- Open of beschadig de batterij niet. Vrijgekomen elektrolyt is corrosief en kan schade aan de ogen en huid veroorzaken. Het kan giftig zijn wanneer het wordt ingeslikt.
- Wees voorzichtig wanneer u accupacks gebruikt. Sluit het accupack nooit kort met geleidende materialen zoals ringen, armbanden of sleutels. Het accupack of de geleider kan oververhitten en brandwonden veroorzaken.
- Bij reparatie mag u uitsluitend identieke EGO™ reserve-onderdelen gebruiken. Het gebruik van andere accessoires of opzetstukken kunnen het risico op letsel verhogen.
- Accugereedschap moet niet op een stopcontact worden aangesloten en kan aldus altijd onmiddellijk gebruikt worden. Let voor mogelijke gevaren, zelfs wanneer het gereedschap niet in werking is. Let op wanneer u onderhoud op het gereedschap uitvoert.
- Reinig het gereedschap niet met een slang. Zorg dat de motor of elektrische componenten niet met water in aanraking komen.
- Bewaar deze handleiding. Raadpleeg de gebruikershandleiding indien nodig en gebruik deze om andere personen die dit apparaat zullen gebruiken te onderrichten. Als u dit apparaat aan iemand anders geeft, geef hem/haar dan in ieder geval ook de gebruikershandleiding mee om verkeerd gebruik en/of mogelijk letsel te voorkomen.
- Draag altijd gepast schoeisel en een lange broek tijdens het gebruik van de machine.
- Let op een goede houding als u op hellingen werkt en wandel, ren niet.

### BEWAAR DEZE GEBRUIKSAANWIJZING!

## SPECIFICATIES

Spanning	56 V $\overline{\text{---}}$
Snelheid zonder belasting	5000/6000 $\text{min}^{-1}$
Snijmechanisme	Aantikkop
Type snijdraad	2,4mm nylon gedraaide draad
Snijbreedte	38 cm

Gewicht (zonder accupack)	4,21Kg	
Gemeten geluidsvermogensniveau $L_{WA}$	94,3 dB(A) K=1,37 dB(A)	
Geluidsdrumniveau bij het oor van de bediener $L_{PA}$	82,6 dB(A) K= 3 dB(A)	
Gegarandeerd geluidsvermogensniveau $L_{WA}$ (conform 2000/14/EG)	96 dB(A)	
Vibratie $a_h$	Achterste handvat	3,97 $\text{m/s}^2$ K=1,5 $\text{m/s}^2$
	Voorste handvat	2,78 $\text{m/s}^2$ K=1,5 $\text{m/s}^2$

## INHOUD VAN DE VERPAKKING

OMSCHRIJVING VAN DE ONDERDELEN	AANTAL
Trimmer	1
Bescherming	1
Voorste handvat	1
Binnenzeskantsleutel	1
Multifunctionele sleutel	1
Schouderriem	1
Gebruiksaanwijzing	1

## BESCHRIJVING

### KEN UW TRIMMER (afb. A)

1. Grensring
2. Schakelaar
3. Achterste handvat
4. Luchtinlaat
5. Vergrendelingsknop
6. Hoog-/laag snelheidsschakelaar
7. Schouder-Riem bevestigingssoog
8. Aanpasbare voorste handvat
9. Schouderriem
10. Multifunctionele sleutel
11. Binnenzeskantsleutel
12. Snijkop (aantikkop)
13. Snijdraad
14. Ontgrendelingsknop
15. Mes voor het Knippen van de draad

16. Bescherming
17. Uitwerpmechanisme
18. Elektrische contacten
19. Vergrendeling
20. Rubberen protector
21. Accuvrijgaveknop

## MONTAGE

**⚠ WAARSCHUWING:** Als er onderdelen beschadigd zijn of ontbreken, gebruik dit product niet totdat alle onderdelen vervangen of aanwezig zijn. Dit product gebruiken met beschadigde of ontbrekende onderdelen kan ernstig persoonlijk letsel veroorzaken.

**⚠ WAARSCHUWING:** Probeer niet om dit product aan te passen of accessoires te maken die niet voor gebruik met deze grastrimmer zijn aanbevolen. Een dergelijke aanpassing of wijziging is misbruik en kan leiden tot gevaar en mogelijk ernstig persoonlijk letsel.

**⚠ WAARSCHUWING:** Om het toevallig starten van het gereedschap, dat ernstig persoonlijk letsel kan veroorzaken, te voorkomen, verwijder altijd het accupack van het gereedschap voordat u onderdelen monteert.

## HET SCHERM MONTEREN

**⚠ WAARSCHUWING:** Draag altijd handschoenen wanneer u de bescherming monteert of vervangt. Let op voor het mes op de bescherming zodat u geen letsel oploopt.

**⚠ WAARSCHUWING:** Gebruik het gereedschap nooit zonder juist gemonteerde bescherming. De bescherming moet zich altijd op het gereedschap bevinden om de gebruiker te beschermen! Als de bescherming is vastgemaakt, mag u nooit pogen de bescherming te verwijderen of aan te passen. Als u een vervanging nodig heeft, dient dit te worden uitgevoerd door een gekwalificeerde onderhoudsmonteur!

1. Maak de twee schroeven los en verwijder ze van de bescherming (afb. B).
2. Breng de bevestigingsgaten van de bescherming in één lijn met de montagegaten en bevestig de bescherming vervolgens met twee schroeven en twee veerringen op de asbasis (afb. C).

**OPMERKING:** Zorg ervoor dat de bescherming volgens afb. B & C is bevestigd; een andere bevestiging kan groot gevaar veroorzaken!

## HET VOORSTE HANDVAT MONTEREN EN AANPASSEN

1. Draai de vergrendelingstang in het voorste handvat los en verwijder de vergrendelingstang en vleugelmoer van het voorste handvat (afb. D).

Afb. D beschrijving van de onderdelen zie beneden:

D-1	Vergrendelingsstang	D-3	Klemblok
D-2	Voorste Handvat	D-4	Vleugelmoer

2. Duw het voorste handvat op de as (afb. E).
3. Steek het klemblok in de handvatsleuf (afb. F).
4. Bevestig de vergrendelingsstang en maak hem alvast vast met de vleugelmoer. Zorg ervoor dat het voorste handvat naar boven is gericht zodat het in richting van het achterste handvat wijst (afb. G).
5. Pas het voorste handvat tussen de grensring en het label aan om ervoor te zorgen dat de voorste arm recht is tijdens het gebruik (afb. H).
6. Vergrendel de hendel op de vergrendelingsstang. (Afb. I).

**OPMERKING:** Het voorste handvat moet naar boven gericht zijn om naar het de bovenkant van het achterste handvat te wijzen.

**⚠ WAARSCHUWING:** Bevestig het voorste handvat alleen tussen de grensring en het label op de as.

**⚠ WAARSCHUWING:** Het gereedschap kan niet worden gebruikt als het voorste handvat niet veilig bevestigd is.

## DE SCHOUDERRIEM BEVESTIGEN

Druk het bevestigingshaak in om hem te openen en bevestig hem aan de schouderriem bevestigingssoog (afb. J).

## GEBRUIK

**⚠ WAARSCHUWING:** Wordt niet achteloos naarmate u het product beter kent. Denk eraan dat een seconde van achteloosheid voldoende is om ernstig letsel te veroorzaken.

**⚠ WAARSCHUWING:** Draag altijd een afsluitende veiligheidsbril of een veiligheidsbril met zijschermen en gehoorbescherming. Als u dat niet doet, kan dit ertoe leiden dat weggeslingerde voorwerpen in uw ogen terecht komen en ander mogelijk ernstig letsel.

**⚠ WAARSCHUWING:** Gebruik geen toebehoren of accessoires die niet door de fabrikant van dit product

zijn aanbevolen. Het gebruik van niet aanbevolen toebehoren of accessoires kan leiden tot ernstig persoonlijk letsel.

**⚠ WAARSCHUWING:** Om ernstig persoonlijk letsel te voorkomen, haal het accupack uit het gereedschap voor onderhoud, reiniging, het wijzigen van accessoires of het verwijderen van materiaal.

U kunt dit product gebruiken voor onderstaand vermelde doeleinden:

**Trimmen:** wordt gebruikt voor het verwijderen van gras en onkruid langs muren, hekken, bomen en perken.

**Snijden:** wordt gebruikt voor het maaien van gras dat moeilijk te bereiken is met een normale grasmaaier.

**OPMERKING:** Het gereedschap mag alleen voor het voorheen genoemde doeleinde worden gebruikt. Ieder ander gebruik, bijvoorbeeld het trimmen van randen, is in dit geval misbruik.

## HET ACCUPACK INSTALLEREN/VERWIJDEREN

### Voor de eerste ingebruikname volledig opladen

#### Bevestigen

Breng de geleiders van de accu overeen met de montagesleuven en druk het accupack naar beneden totdat u “klik” hoort (afb. K).

#### Verwijderen

Druk de accuvrijgaveknop naar beneden en trek het accupack eruit zoals weergegeven in afb. L.

Afb. L beschrijving van de onderdelen zie beneden:

L-1	Accuvrijgaveknop
-----	------------------

## DE GRASTRIMMER VASTHOUDEN

**⚠ WAARSCHUWING:** Draag gepaste kleding om het risico op letsel tijdens gebruik van dit gereedschap te beperken. Draag geen los hangende kleding of juwelen. Draag oog- en oorbescherming. Draag een stevige lange broek, laarzen en handschoenen. Draag geen korte broek, sandalen of loop niet op blote voeten.

Voor het gebruik dient u goed te staan, een veiligheidsbril te dragen, correcte kleding, juiste stand, gestrekte arm die het voorste handvat vast houdt.

**OPMERKING:** De snijkop bevindt zich parallel tot de grond op een geschikte snijafstand zonder dat de bediener naar voren moet bukken (afb. N).

Voor een veilig en beter gebruik draagt u de schouderriem over de schouder zoals weergegeven in afb. N. Stel de schouderriem in zodat u een prettige gebruikssituatie heeft. Houd de grastrimmer met beide handen vast: Één hand op het achterste handvat en de andere op het voorste handvat.

Er bestaan twee mogelijkheden om de riem los te maken. Haal hem direct van de schouder (afb. O) of druk de haak van de riem en haal hem van het schouderriem bevestigingssoog op de as (afb. P).

**⚠ WAARSCHUWING:** De schouderriem heeft ook een snelontspanningsmechanisme voor in gevaarlijke situaties. Als er sprake is van een noodgeval, haalt u hem direct van de schouder, ongeacht hoe de riem zit.

## DE GRASTRIMMER STARTEN/STOPPEN (afb. M)

### Starten

Duw de ontgrendelingshendel omlaag en schakel vervolgens de schakelaar in. Het veranderen van de druk op de schakelaar heeft een variabele rotatiesnelheid van de snijdraad tot gevolg. Meer druk betekent een hogere snelheid.

### Stoppen

Laat de schakelaar los.

**OPMERKING:** De motor draait alleen wanneer de vergrendelingsknop en schakelaar beiden gedrukt worden.

**⚠ WAARSCHUWING:** Haal altijd het accupack uit de grastrimmer wanneer u een pauze inlast of na gebruik van het gereedschap.

### Functie voor het instellen van de snelheid (afb. M)

De grastrimmer bezit twee snelheden. Positie “1” is de lage snelheid terwijl positie “2” de hoge snelheid is. Druk of trek de hoge/lage snelheidsschakelaar om de geschikte snelheid uit te kiezen tijdens het gebruik.

Afb. M beschrijving van de onderdelen zie beneden:

M-1	Hoog-/laag snelheidsschakelaar
M-2	Vergrendelingsknop
M-3	Schakelaar

## DE GRASTRIMMER GEBRUIKEN

**⚠ WAARSCHUWING:** Om ernstig persoonlijk letsel te voorkomen, draag altijd een veiligheidsbril wanneer u dit gereedschap gebruikt. Draag een gezichts- of stofmasker in geval van een stoffige omgeving.

Voor gebruik, verwijder alle mogelijke obstakels uit de te maaien zone. Verwijder voorwerpen zoals rotsen, gebroken glas, nagels, draad of koorden, die opgegooid kunnen worden of in het snijelement terecht kunnen komen. Zorg dat er zich geen kinderen, omstanders of huisdieren in de omgeving bevinden. Houd kinderen, omstanders en huisdieren op een afstand van minstens 15m; er is nog altijd risico op het wegslingeren van voorwerpen richting omstanders. Omstanders worden aangespoord om oogbescherming te dragen. Als iemand in de buurt komt, stop de motor en het snijelement onmiddellijk.

## NL Voor elk gebruik, controleer op beschadigde/versleten onderdelen

Controleer de snijkop, scherm en voorste handvat en vervang de onderdelen die gebarsten, scheef getrokken, gebogen of beschadigd zijn.

Het mes voor het snijden van de draad op de rand van het scherm kan na verloop van tijd bot worden. Het is aanbevolen om het mes regelmatig met een vijl te slijpen of door een nieuw mes te vervangen.

**⚠ WAARSCHUWING:** Draag altijd handschoenen tijdens het monteren van de bescherming of tijdens het onderhoud van het mes. Let op voor het mes op de bescherming zodat u geen letsel oploopt.

## Maak de trimmer na elk gebruik schoon.

**⚠ CAUTION:** Belemmeringen in de ventilatieopeningen beletten de aanvoer van lucht in de motorbehuizing. Dit kan oververhitting of schade aan de motor veroorzaken.

- Maak het gereedschap alleen schoon met een vochtige doek en milde zeep. Zorg dat er geen vloeistof het gereedschap binnendringt. Dompel nooit een deel van het gereedschap in een vloeistof.
- Houd de luchtopeningen in de motorbehuizing op elk moment vrij van vuil.

**⚠ WAARSCHUWING:** Maak uw grastrimmer nooit schoon met water. Maak de kunststof onderdelen niet schoon met oplosmiddelen. De meeste kunststoffen kunnen door verschillende soorten van commercieel beschikbare oplosmiddelen schade oplopen. Gebruik een schone doek voor het verwijderen van vuil, stof, olie, smeer, etc.

## DE LENGTE VAN DE SNIJDRAAD AANPASSEN

De snijkop stelt de bediener in staat om meer snijdraad vrij te geven zonder de motor te moeten stoppen. Als de draad uitgerafeld of versleten raakt, geef extra draad vrij door de snijkop tijdens gebruik van de trimmer voorzichtig tegen de grond te tikken (afb. Q).

**OPMERKING:** Het vrijgeven van draad wordt moeilijker naarmate de draad korter wordt.

**⚠ WAARSCHUWING:** Verwijder of pas de draadsnijder niet aan. Een te lange snijdraad zal de motor oververhitten wat tot ernstig persoonlijk letsel kan leiden.

## DE DRAAD VERVANGEN

**OPMERKING:** Gebruik altijd de geadviseerde nylon snijdraad met een diameter die niet groter is dan 2,4 mm. Het gebruik van een andere dan aangegeven draad kan ertoe leiden, dat de trimmer oververhit of beschadigd raakt.

**⚠ WAARSCHUWING:** Gebruik nooit metaal versterkte draad, koord of touw, etc. Deze kan afbreken en een gevaarlijk projectiel worden.

1. Verwijder het accupack.
2. Verwijder indien nodig de overgebleven snijdraad.
3. Snij 4m af van de snijdraad en steek de draad in het bevestigingsgat in het oogje (afb. R). Druk en trek de draad van de andere kant totdat aan beide zijden van de spoel evenveel draad is.
4. Druk, terwijl u de gemonteerde onderste afdekking in de richting van de pijl draait, om de draad op de spoel te draaien totdat ongeveer 14 cm van de draad aan iedere kant uitsteekt (afb. S).
5. Druk de gemonteerde onderste afdekking naar beneden terwijl u met de hand aan de draden trekt om de draden naar voren te halen en om te kijken of de snijkop goed zit.

Als de draad aan de uitgang breekt of als de draad niet verder loopt of vast zit in de snijkop, dient u de volgende stappen uit te voeren:

1. Druk op de ontgrendelingsknoppen op de bovenste afdekking en verwijder de gemonteerde onderste afdekking door deze recht eruit te trekken (afb. T & U).
2. Verwijder de snijdraad van de spoel.

3. Terwijl u met één hand de gemonteerde onderste afdekking vasthoudt, gebruikt u de andere hand om de gemonteerde onderste afdekking vast te pakken en de lipjes op de bovenste afdekking in een lijn te brengen met de gemonteerde onderste afdekking (afb. V); Gebruik uw handpalm om de gemonteerde onderste afdekking in te drukken totdat de lipjes in de bovenste afdekking grijpen.
4. Volg de instructies in “DE DRAAD VERVANGEN” om een nieuwe snijdraad te plaatsen.

## ONDERHOUD

**⚠ WAARSCHUWING:** Bij reparatie, gebruik uitsluitend identieke reserve-onderdelen. Controleer en onderhoud de machine regelmatig. Laat alle reparaties uitvoeren door een vakbekwame reparateur om een continue veiligheid en betrouwbaarheid te waarborgen.

**⚠ WAARSCHUWING:** Accugereedschap moet niet op een stopcontact worden aangesloten en kan aldus altijd onmiddellijk gebruikt worden. Om ernstig persoonlijk letsel te voorkomen, neem extra voorzorgsmaatregelen wanneer u het snijelement of andere accessoires onderhoudt, reinigt of wijzigt.

**⚠ WAARSCHUWING:** Om ernstig persoonlijk letsel te voorkomen, haal het accupack uit het gereedschap voor onderhoud, reiniging, het wijzigen van accessoires of het verwijderen van materiaal.

### HET APPARAAT SCHOONMAKEN

- Maak het apparaat schoon met een vochtige doek en mild schoonmaakmiddel.
- Maak de kunststof behuizing of handvat niet schoon met een agressief schoonmaakmiddel. Deze kunnen door bepaalde aromatische oliën, zoals pijnboom en citroen, en oplosmiddelen, zoals kerosine, worden beschadigd. Vocht kan risico op elektrische schokken met zich meebrengen. Veeg eventueel vocht weg met een zachte en droge doek.
- Maak de ventilatieopeningen van het achterste gedeelte van de behuizing schoon met een kleine borstel of een stofzuiger met een kleine borstel.

### SMEREN VAN DE VERSNELLING

De versnelling in de tandwielkast dient regelmatig met smeervet voor versnellingen te worden gevet. Controleer het vetniveau van de versnellingsbak ongeveer alle 50 uur van gebruik door de vergrendelschroef aan de zijkant van de bak te verwijderen.

Als u geen vet meer ziet aan de flanken van de versnelling, dient u de onderstaande stappen te volgen voor het tot 3/4 bijvullen van het vet. Vul de versnellingen niet helemaal.

1. Houd de grastrimmer op zijn zijkant zodat de verzegelingschroef naar boven is gericht (afb. W).
2. Gebruik de meegeleverde multifunctionele sleutel en verwijder de vergrendelschroef.
3. Gebruik een vetspuit (niet inbegrepen) om een beetje vet in het schroefgat te spuiten; niet meer dan 3/4 van de capaciteit vullen.
4. Maak de vergrendelschroef na het injecteren weer vast.

### HET APPARAAT OPBERGEN

- Verwijder het accupack van de grastrimmer wanneer u hem niet gebruikt.
- Maak het gereedschap grondig schoon voordat u het opbergt.
- Berg het gereedschap op in een droge, goed geventileerde en afsluitbare ruimte of op een hoge hoogte, buiten het bereik van kinderen. Berg het gereedschap niet op in de buurt van meststoffen, benzine of andere chemicaliën.

## Het milieu beschermen



Gooi geen elektrische apparaten, acculaders en accu's/oplaadbare batterijen met het huisafval weg!

Elektrische en elektronische apparaten, in overeenstemming met de Europese wet 2012/19/EG, en defecte of verbruikte accupacks/batterijen, in overeenstemming met 2006/66/EG, moeten afzonderlijk worden ingezameld.

Als elektrische apparaten op een stortterrein of vuilnisbelt terecht komen, kunnen gevaarlijke stoffen in het grondwater lekken en in de voedselketen komen wat schadelijk is voor uw gezondheid en welzijn.

NL



## PROBLEEMOPLOSSING

PROBLEEM	OORZAAK	OPLOSSING
De grastrimmer start niet.	<ul style="list-style-type: none"> <li>■ Het accupack is niet met de grastrimmer verbonden.</li> <li>■ Er is geen elektrisch contact tussen de grastrimmer en accu.</li> <li>■ Het accupack is uitgeput.</li> <li>■ De vergrendelingsknop en schakelaar worden niet gelijktijdig ingedrukt.</li> </ul>	<ul style="list-style-type: none"> <li>■ Verbind het accupack met de grastrimmer.</li> <li>■ Verwijder het accupack, controleer de aansluitklemmen en plaats het accupack terug.</li> <li>■ Laad het accupack op.</li> <li>■ Om de grastrimmer te starten, duw de vergrendelingsknop omlaag en houd op deze positie. Duw vervolgens de schakelaar in.</li> </ul>
De grastrimmer stopt tijdens het maaien.	<ul style="list-style-type: none"> <li>■ De bescherming is niet op de grastrimmer gemonteerd waardoor de snijdraad te lang is en de motor oververhit raakt.</li> <li>■ Er wordt zware snijdraad gebruikt.</li> <li>■ De motoras of snijkop zit vol met gras.</li> <li>■ De motor is overbelast.</li> <li>■ Het accupack of de grastrimmer is te heet.</li> <li>■ Het accupack is niet met het gereedschap verbonden.</li> <li>■ Het accupack is leeg.</li> </ul>	<ul style="list-style-type: none"> <li>■ Verwijder het accupack en monteer de bescherming op de trimmer.</li> <li>■ Gebruik de geadviseerde nylon snijdraad met een diameter van niet meer dan 2,4 mm.</li> <li>■ Stop de grastrimmer, haal het accupack uit en verwijder het gras van de motoras en snijkop.</li> <li>■ Verwijder het gras uit de snijkop. De motor werkt opnieuw zodra het gras is verwijderd. Beweeg de snijkop tijdens het maaien in en uit het gras en verwijder niet meer dan 20 cm gras in één maaibeurt.</li> <li>■ Laat het accupack of de trimmer afkoelen totdat de temperatuur lager is dan 67°C.</li> <li>■ Installeer het accupack opnieuw.</li> <li>■ Laad het accupack op.</li> </ul>

PROBLEEM	OORZAAK	OPLOSSING
De draad wordt niet door de snijkop vrijgegeven.	<ul style="list-style-type: none"> <li>■ De motoras of snijkop zit vol met gras.</li> <li>■ Er is onvoldoende draad op de spoel.</li> <li>■ De snijkop is vuil.</li> <li>■ De draad is verstrikt geraakt op de spoel.</li> <li>■ De draad is te kort.</li> </ul>	<ul style="list-style-type: none"> <li>■ Stop de grastrimmer, verwijder de accu en reinig de motoras en snijkop.</li> <li>■ Verwijder het accupack en vervang de snijdraad volgens de sectie "DE DRAAD VERVANGEN" in deze handleiding.</li> <li>■ Verwijder de accu van de snijkop.</li> <li>■ Verwijder de accu en verwijder de snijdraad van de snijkop en wikkel op, zoals beschreven in het gedeelte "DE SNIJDRAAD VERVANGEN" in deze handleiding.</li> <li>■ Verwijder het accupack en trek eventjes aan de draden terwijl de snijkop afwisselend wordt ingeduwd en losgelaten.</li> </ul>
Gras wordt om de snijkop en motorbehuizing gewikkeld.	<ul style="list-style-type: none"> <li>■ Lang gras wordt op grondniveau gemaaid.</li> </ul>	<ul style="list-style-type: none"> <li>■ Maai lang gras van boven naar onder en verwijder niet meer dan 20 cm per maaibeurt om omwikkeling te voorkomen.</li> </ul>
Scheuren op de snijkop of de gemonteerde onderste afdekking laat los van de bovenste afdekking.	<ul style="list-style-type: none"> <li>■ De snijkop is versleten.</li> </ul>	<ul style="list-style-type: none"> <li>■ Vervang de snijkop direct. Laat dit door een gekwalificeerde servicemonteur uitvoeren.</li> </ul>

## GARANTIE

### EGO GARANTIEBELEID

Bezoek alstublieft de website [egopowerplus.com](http://egopowerplus.com) voor de volledige voorwaarden van het EGO garantiebeleid.

## LÆS ALLE ANVISNINGER!



### LÆS BRUGERVEJLEDNINGEN

**⚠ Særlig risiko!** Folk med elektroniske anordninger, såsom pacemakere, bør spørge deres læge til råds, før de bruger dette produkt. Betjening af elektrisk udstyr i umiddelbar nærhed af en pacemaker kan forårsage forstyrrelser eller svigt af pacemakeren.

**⚠ ADVARSEL:** For at sikre sikkerhed og pålidelighed, bør alle reparationer og udskiftninger udføres af en kvalificeret servicetekniker.

## SIKKERHEDSSYMBOLER

Formålet med sikkerhedssymboler er at gøre dig opmærksom på mulige farer. Du bør være meget opmærksom på sikkerhedssymbolerne og forklaringer til dem og lære at forstå dem. Symboladvarslere fjerner ikke i sig selv eventuelle farer. Anvisningerne og advarslerne er ingen erstatning for korrekte forebyggelsesforanstaltninger mod ulykker.

**⚠ ADVARSEL:** Sørg for at læse og forstå alle sikkerhedsanvisninger i denne brugsanvisning, inklusive alle sikkerhedssymboler, såsom "**FARE**", "**ADVARSEL**" og "**FORSIGTIG**", før du bruger dette værktøj. Hvis du ikke følger advarslere og anvisninger, kan det resultere i elektrisk stød, brand og/eller alvorlig personskade.

## SYMBOLBETYDNING

**SYMBOL FOR SIKKERHEDSVARSEL:** Angiver FARE, ADVARSEL eller FORSIGTIG. Kan anvendes i kombination med andre symboler eller piktogrammer.



**⚠ ADVARSEL:** Brugen af et elværktøj kan resultere i, at du får fremmedlegemer i øjnene, hvilket kan give alvorlige øjenskader. Inden du begynder at bruge et elværktøj, skal du altid bære beskyttelsesbriller eller sikkerhedsbriller med sidebeskyttelse og om nødvendigt en fuld ansigtsmaske. Vi anbefaler en maske med bredt udsyn til brug over briller eller standardsikkerhedsbriller med sidebeskyttelse.

## SIKKERHEDSANVISNINGER

Denne side viser og beskriver sikkerhedssymboler, der kan forekomme på dette produkt. Læs, forstå, og følg alle anvisninger på apparatet, før du forsøger at samle og betjene det.

	Sikkerhedsvarsel	Angiver en potentiel fare for personskade.
	Læs brugsanvisningen	For at nedsætte risikoen for personskade, skal brugeren læse og forstå brugsanvisningen, før dette produkt tages i brug.
	Bær beskyttelsesbriller	Bær altid høreværn ved betjening af dette produkt.
	Brug høreværn	Bær altid høreværn ved betjening af dette produkt.
	Intet skær	Montér ikke plastik- eller metalknive
	Hold omkringstående på afstand	Sørg for, at andre mennesker og kæledyr står mindst 15 m væk fra græstrimmeren, når den er i brug.
	Hold omkringstående på afstand	Sørg for, at andre mennesker og kæledyr står mindst 15 m væk fra græstrimmeren, når den er i brug.
	Støj	Lydeffektniveau
	Grad af beskyttelse mod indtrængning	Beskyttelse mod vandsprøjt
V	Volt	Spænding
mm	Millimeter	Længde eller størrelse
cm	Centimeter	Længde eller størrelse
	Jævnstrøm	Spændingstype eller -karakteristika
$n_0$	Hastighed uden belastning	Rotationshastighed uden belastning
min <sup>-1</sup>	Pr. minut	Omdrejninger pr. minut

DK

## VIGTIGE SIKKERHEDSANVISNINGER

**⚠ ADVARSEL!** Ved brug af eldrevene græstrimmere skal grundlæggende sikkerhedsprocedurer altid følges for at reducere risikoen for brand, elektrisk stød og personskade, herunder følgende:

## LÆS ALLE ANVISNINGER

**⚠ FARE!** Stol ikke på værktøjets isolering mod elektrisk stød. For at reducere risikoen for en elektricitetsulykke skal man aldrig betjene værktøjet i nærheden af nogen form for ledninger eller kabler, som kan være strømførende.

DK

**⚠ FORSIGTIG!** Brug egnet personligt høreværn under brug. Under visse betingelser og afhængigt af varigheden af brug kan støj fra dette produkt bidrage til høretab.

## UNDERVISNING

- Læs anvisningerne grundigt igennem. Bliv fortrolig med alle knapper og håndtag og den korrekte brug af apparatet.
- Lad aldrig personer, der ikke kender disse anvisninger, eller børn til at bruge apparatet. Lokale forskrifter kan sætte aldersgrænser for en operatør.
- Husk, at operatøren eller brugeren er ansvarlig, hvis andre personer eller andres ejendom udsættes for ulykke eller fare.

## FORBEREDELSE

- Brug aldrig apparatet, mens folk, især børn, eller kæledyr er tæt på.
- Bær altid øjenbeskyttelse og solide sko, mens du betjener apparatet.
- Afstanden mellem apparatet og omkringstående skal være mindst 15 m.
- Brug ikke metalknive.

## BETJENING

- Brug kun apparatet i dagslys eller godt kunstigt lys.
- Anvend aldrig apparatet med defekte kapper eller skærme eller uden kapper eller skærme monteret.
- Tænd kun for motoren, når hænder og fødder er væk fra trimmerdelen.
- Afbryd altid apparatet fra strømforsyningen (dvs. tag stikket ud af stikkontakten, eller udløs stopanordningen).
  - Når apparatet forlades uden opsyn.
  - Før en blokering fjernes.

- Før apparatet kontrolleres, rengøres eller der udføres arbejde på det.
- Efter at have ramt et fremmedlegeme.
- Når apparatet begynder at vibrere unormalt.
- Pas på skade på hænder og fødder fra trimmerdelen.
- Sørg altid for, at ventilationsåbningerne holdes fri for snavs og skidt.

## VEDLIGEHOLDELSE OG OPBEVARING

- Afbryd apparatet fra strømforsyningen (dvs. tag stikket ud af stikkontakten, eller udløs stopanordningen), før udførelse af vedligeholdelse eller rengøring.
- Brug kun fabrikantens anbefalede reservedele og tilbehør.
- Efterse og vedligehold apparatet regelmæssigt. Få kun apparatet repareret af en autoriseret reparatør.
- Når apparatet ikke er i brug, opbevar maskinen utilgængeligt for børn.

## ANDRE SIKKERHEDSADVARSLER

- Undgå farlige omgivelser – Brug ikke trimmere på fugtige eller våde steder.
- Sluk altid for græstrimmeren, eller fjern batteripakken, når trimmeren forlades uden opsyn.
- Må ikke anvendes i regn.
- Hold børn på afstand – Alle omkringstående skal holdes i god afstand af arbejdsområdet.
- Korrekt påklædning – Bær ikke løst tøj eller smykker. De kan blive fanget i bevægelige dele. Brug af gummihandsker og solidt fodtøj anbefales, når der arbejdes udendørs. Brug håret til langt hår.
- Brug sikkerhedsbriller – Brug altid sikkerhedsbriller, når maskinen er i brug.
- Brug det rigtige værktøj – Brug ikke værktøjet til noget job ud over det, som det er beregnet til.
- Tving ikke trimmeren – Den vil gøre arbejdet bedre og med mindre sandsynlighed for skade ved den hastighed, som den er designet til.
- Læn dig ikke for langt frem – Hav hele tiden ordentligt fodfæste, og vær i balance.
- Vær opmærksom, se, hvad du laver. Brug din sunde fornuft. Brug ikke trimmeren, når du er træt.
- Brug ikke trimmeren, hvis du er træt eller er påvirket af narkotika, alkohol eller medicin.
- Hold kapper på plads og i orden.
- Opbeva trimmeren indendørs – Når du ikke bruger trimmeren skal den opbevares indendørs på et tørt og aflåst op sted med batteripakken fjernet – utilgængeligt for børn.

- Vedligehold trimmeren omhyggeligt – Hold trimmerdelen ren, så yder den bedst, og man mindsker risikoen for skader. Følg anvisningerne for udskiftning af tilbehør. Hold håndtag tørre, rene og fri for olie og fedt.
- Kontrollér beskadigede dele – Før yderligere brug af trimmeren, skal en kappe eller en anden del, som er beskadiget, omhyggeligt kontrolleres for at se, om den vil fungere korrekt og udføre sin tilsigtede funktion. Kontrollér, at de bevægelige dele ikke er fejljusterede eller binder eller er i en tilstand, der kan påvirke trimmerens drift. En kappe eller en anden del, der er beskadiget, bør repareres korrekt eller udskiftes af et autoriseret serviceværksted, medmindre andet er angivet i denne vejledning.
- Ryd området, hvor der skal klippes, før hver brug. Fjern alle genstande, såsom sten, glasskår, søm, tråd eller snor, der kan slynges ud eller blive viklet ind i trimmerdelen. Sørg for, at andre personer og kæledyr er mindst 15 m væk.
- Før du bruger apparatet, og efter stød, skal du kontrollere for tegn på slid eller skader, og foretage reparation efter behov.
- Hold altid trimmeren fast med begge hænder på håndtagene under arbejdet. Hold fast med fingre og tommelfingre omkring håndtagene.
- Undgå utilsigtet start.– Bær ikke trimmeren med fingeren på startknappen.
- Brug ikke trimmeren i omgivelser med benzinlignende eller eksplosive stoffer. Motorerne i disse apparater udsender normalt gnist, og gnisterne kan antænde dampe.
- Skade på trimmeren – Hvis du rammer et fremmedlegeme med trimmeren, eller den bliver filtret ind, så stop omgående værktøjet, og fjern batteripakken fra græstrimmeren. Undersøg for skader, og få eventuelle skader udbedret, før arbejdet forsøges genoptaget. Brug ikke med en beskadiget kappe eller spole.
- Hvis udstyret skulle begynde at vibrere unormalt, så stop motoren, fjern batteriet fra græstrimmeren, og undersøg straks årsagen. Vibrationer er generelt en advarsel om problemer. Et løst hoved kan vibrere, revne, knække eller løse sig fra trimmeren, hvilket kan resultere i alvorlige eller dødelige kvæstelser. Sørg for, at trimmerdelen er anbragt korrekt og sidder fast. Hvis hovedet løsner sig, efter at det er sat på plads, skal det udskiftes med det samme. Brug aldrig en trimmer med en løs trimmerdel.
- Udskift straks et revnet, beskadiget eller slidt trimmerhoved, selv om skaden er begrænset til overfladiske revner. Sådanne påmonteringer kan splintre ved høj hastighed og forårsage alvorlige skader eller dødsfald.

- Kontrollér regelmæssigt og ofte trimmerdelen, når der arbejdes, eller omgående, hvis der er en mærkbar forandring i måden, hvorpå apparatet trimmer.
- Brug kun polymer tilbehør til trimmersnor og trimmersnor, der er godkendt af EGO™, der er beregnet til brug med dette værktøj. Selv om visse uautoriserede påmonteringer kan påsættes EGO™-græstrimmeren, kan være yderst farligt at anvende dem, og/eller de kan skade værktøjet.
- For at mindske risikoen for alvorlig personskade, så brug aldrig ståltråd eller snor forstærket med metal eller andet materiale i stedet for trimmersnor af nylon. Ståltrådsstykker kunne løsne sig og blive kastet ud med høj hastighed mod operatøren eller omkringstående.
- For at mindske risikoen for personskade ved tab af kontrol, skal man aldrig arbejde på en stige eller på ethvert andet usikkert underlag. Hold aldrig trimmerdelen over hovedhøjde.
- Hvis der opstår situationer, der ikke er dækket i denne vejledning, så vær forsigtig og brug din gode dømmekraft. Kontakt EGO's servicecenter for at få hjælp.
- Oplad ikke batteripakken i regnvej, eller hvor der er vådt.
- Motorsaven må kun bruges med batteripakker og opladere fra EGO.

BATTERIPAKKE	OPLADER
BA1120E, BA1400, BA2240E BA2800, BA3360, BA4200, BA1400T, BA2800T, BA4200T	CH2100E, CH5500E

- Batteripakken skal fjernes fra apparatet, før det kasseres.
- Batteriet skal bortskaffes på en sikker måde
- Smid ikke batteriet i ilden. Battericellerne kan eksplodere. Spørg de lokale myndigheder om eventuelle særlige anvisninger på bortskaffelse.
- Undlad at åbne eller mishandle batteriet. Udsivende elektrolyt er ætsende og kan forårsage skader på øjne eller hud. Det kan være giftigt ved indtagelse.
- Udvis omhu i håndtering af batterier for ikke at kortslutte batteriet med ledende materialer, såsom ringe, armbånd og nøgler. Batteriet eller leder kan blive overophedet og forårsage forbrændinger.
- Ved service må der kun bruges originale reservedele fra EGO. Brug af andet tilbehør eller påmontering kan øge risikoen for skader.
- Batteridrevne værktøjer behøver ikke at være tilsluttet en stikkontakt, derfor er de altid driftsklar. Vær opmærksom på mulige farer, selv når værktøjet ikke arbejder. Vær forsigtig, når du udfører vedligeholdelse eller service.

- Undlad at vaske med en slange; undgå at få vand i motor og elektriske forbindelser.
- Gem disse anvisninger. Brug dem ofte, og brug dem til at instruere andre, der skal bruge dette værktøj. Hvis du låner nogen dette værktøj, så lad dem få anvisningerne med, så de også undgår fejlbrug af produktet og mulig personskaade.
- Bær altid kraftigt fodtøj og lange bukser, mens du betjener apparatet.
- Sørg altid for fodfæste på skråninger og at gå i stedet for at løbe.

## GEM DISSE ANVISNINGER!

## DK SPECIFIKATIONER

Spænding	56 V ---	
Hastighed ubelastet	5000/6000 min <sup>-1</sup>	
Trimmemekanisme	Fjederhoved	
Type trimmersnor	2,4 mm snoet nylontråd	
Trimmebredde	38 cm	
Vægt (uden batteripakke)	4,21Kg	
Målt lydeffektniveau L <sub>WA</sub>	94,3 dB(A) K=1,37 dB(A)	
Lydtryk ved brugerens øre L <sub>PA</sub>	82,6 dB(A) K= 3 dB(A)	
Garanteret lydeffektniveau L <sub>WA</sub> (i henhold til 2000/14/EF)	96 dB(A)	
Vibration a <sub>h</sub>	Bageste håndtag	3,97 m/s <sup>2</sup> K=1,5 m/s <sup>2</sup>
	Forreste hjælpe-håndtag	2,78 m/s <sup>2</sup> K=1,5 m/s <sup>2</sup>

## PAKKELISTE

RESERVEDELENS NAVN	ANTAL
Græstrimmer	1
Kappe	1
Montage af forreste hjælpehåndtag	1
Unbrakonøgle	1
Multifunktions-skruenøgle	1
Skulderstrop	1

Brugsvejledning	1
-----------------	---

## BESKRIVELSE

### KEND DIN GRÆSTRIMMER (fig. A)

1. Spærring
2. Startknap
3. Bageste håndtag
4. Luftindtag
5. Låseknap
6. Vælger for høj/lav hastighed
7. Krog til Montering af skulderrem
8. Justérbart forreste hjælpehåndtag
9. Skulderstrop
10. Multifunktions-skruenøgle
11. Unbrakonøgle
12. Trimmerhoved (fjederhoved)
13. Trimmersnor
14. Udløsertap
15. Kniv til Afskæring af snor
16. Kappe
17. Udløsermekanisme
18. Elektriske kontakter
19. Pal
20. Gummibeskyttere
21. Knap til frigørelse af batteri

## SAMLING

**⚠ ADVARSEL:** Hvis der er dele, der er beskadigede eller mangler, anvendes apparatet ikke, før delene er udskiftet. Brug af dette produkt med beskadigede eller manglende dele kan medføre alvorlig personskaade.

**⚠ ADVARSEL:** Forsøg ikke at ændre dette produkt eller fremstille tilbehør, der ikke anbefales til brug med denne græstrimmer. Enhver sådan ændring eller modifikation er misbrug og kan resultere i en farlig situation og føre til eventuel alvorlig personskaade.

**⚠ ADVARSEL:** For at forebygge utilsigtet start, der kunne forårsage alvorlig personskaade, skal man altid fjerne batteriet fra produktet, når der monteres dele.

## MONTERING AF KAPPEN

**⚠ ADVARSEL:** Brug altid handsker ved montering eller udskiftning af kappen. Vær forsigtig med kniven på kappen, og beskyt din hånd mod at blive skåret.

**⚠ ADVARSEL:** Brug aldrig værktøjet uden kappen solidt på plads. Kappen skal altid være på værktøjet for at beskytte brugeren! Når kappen er monteret, så forsøg aldrig at fjerne eller tilpasse den; hvis der er behov for udskiftning, skal det gøres af en kvalificeret servicetekniker!

1. Løsn og fjern de to skruer fra kappen (fig. B).
2. Flugt kappens monteringshuller med enhedens huller; sæt derefter kappen fast på skaffets nederkant med de to skruer sammen med to federskiver (fig. C).

**BEMÆRK:** Sørg for, at kappen sidder som på fig. B og C. Hvis monteringen gøres omvendt kan det forårsage stor fare!

## MONTERING OG JUSTERING AF FORRESTE HJÆLPEHÅNDTAG

1. Løsn låsepalen i det forreste hjælpehåndtag, og fjern låsepalen og vingemøtrikken fra det forreste hjælpehåndtag (fig. D).

Beskrivelse af dele i fig. D, se nedenfor:

D-1	Låsepal	D-3	Klemmeklods
D-2	Forreste Hjælpehåndtag	D-4	Vingemøtrik

2. Skub det forreste hjælpehåndtag på skaffet (fig. E).
3. Indsæt klemmeklodsens i noten i håndtaget (fig. F).
4. Monter låsepalen, og spænd let til med vingemøtrikken. Sørg for at forreste hjælpehåndtag vender opad og peger mod toppen af det bagerste håndtag (fig. G).
5. Justér forreste hjælpehåndtag mellem spærreringen og etiketten, så din forreste arm er strakt, når du arbejder (fig. H).
6. Lås grebet på låsepalen. (fig. I).

**BEMÆRK:** Forreste hjælpehåndtag skal vende, så det peger opad mod toppen af det bageste håndtag.

**⚠ ADVARSEL:** Forreste hjælpehåndtag må kun monteres mellem spærreringen og etiketten på skaffet.

**⚠ ADVARSEL:** Værktøjet kan ikke bruges, uden at det forreste hjælpehåndtag sidder godt fast.

## MONTERING AF SKULDERSTROP

Tryk på stroppens krog for at åbne den, og fastgør den på hagen til montering af skulderrem (fig. J).

## BETJENING

**⚠ ADVARSEL:** Lad ikke fortrolighed med dette produkt gøre dig skødesløs. Husk, at skødesløshed i en brøkdæl af et sekund kan forvolde betydelig personskaade.

**⚠ ADVARSEL:** Bær altid beskyttelsesbriller eller sikkerhedsbriller med sidebeskyttelse samt høreværn. Hvis du ikke gør, kan du få genstande slynget i øjnene, og der kan også opstå andre alvorlige skader.

**⚠ ADVARSEL:** Anvend ikke påmonteringer eller tilbehør, der ikke anbefales af fabrikanten af dette produkt. Brug af påmonteringer eller tilbehør, der ikke anbefales, kan forårsage alvorlig personskaade.

**⚠ ADVARSEL:** For at undgå alvorlig personskaade tages batteriet af værktøjet før service, rengøring, udskiftning af påmonteringer, eller før der fjernes noget fra apparatet.

Du kan bruge dette produkt til de formål, der er nævnt nedenfor:

**Trimning:** anvendes til at fjerne græs og ukrudt op mod vægge, hegn, træer og skel.

**Klipning:** anvendes til at klippe græs, der er svært at nå med en almindelig plæneklipper.

**BEMÆRK:** Værktøjet skal kun bruges til det formål, det er beregnet til. Enhver anden anvendelse, f.eks kantrimning, anses for at være et tilfælde af fejlbrug

## PÅSÆTNING / AFTAGNING BATTERIPAKKEN

### Fuld opladning før første brug

#### Påsætning

Flugt batteriets ribber med monteringsnoterne, og tryk batteriet ned, indtil du hører et "klik" (fig. K).

#### Aftagning

Tryk på knappen til batteriudløseren, og træk batteriet ud som vist på fig. L.

Beskrivelse af dele i fig. L, se nedenfor:

L-1	Knap til frigørelse af batteri
-----	--------------------------------

## SÅDAN HOLDES GRÆSTRIMMEREN

**⚠ ADVARSEL:** ær rigtig påklædning for at mindske risikoen for skader, når du betjener dette værktøj. Bær ikke løst tøj eller smykker. Bær øjen- og øre- / høreværn. Bær kraftige, lange bukser, støvler og handsker. Gå ikke i korte bukser, sandaler eller på bare fødder.

Før arbejdet påbegyndes, stiller man sig i arbejdsstillingen og mærker efter, om man bærer beskyttelsesbriller og det rigtige tøj, står fast og er i balance. Armen, der holder fronthjælpehåndtaget skal være strakt.

**BEMÆRK:** Trimmerens hoved skal være parallelt med jorden i korrekt trimmeafstand, uden at operatøren læner sig fremover (fig. N).

DK

For sikker og bedre betjening tages skulderremmen hen over skulderen som fig. N. Justér skulderstroppen til en behagelig arbejdsstilling. Hold trimmeren med begge hænder: Den ene hånd på det bageste håndtag og den anden på hjælpehåndtaget.

Der er to måder at løse stroppen. Tag den direkte af skulderen (Fig. O), eller tryk på stropkens krog, og tag den af hagen til montering af skulderrem, der sidder fast på skaffet (Fig. P).

**⚠ ADVARSEL:** Skulderstroppen er også en mekanisme til hurtig frigørelse i farlige situationer. Når der opstår en fare, så tag den straks af skulderen, uanset hvordan stroppen er sat på.

## START/STOP AF GRÆSTRIMMEREN (fig. M)

### Start

Tryk ned på låsehåndtaget, og tryk derefter på startknappen. Forskellige tryk på startknappen giver forskelligere-otationshastigheder for trimmersnoren. Jo større tryk, jo højere hastighed.

### Stop

Slip startknappen.

**BEMÆRK:** Motoren kører kun, når låseknappen og startknappen begge er trykket ned.

**⚠ ADVARSEL:** Fjern altid batteripakken fra græstrimmeren under pauser, og når arbejdet er slut.

## Hastighedsjustering (fig. M)

Græstrimmeren har to hastigheder. Stilling "1" er lav hastighed, stilling "2" er høj hastighed. Skub til eller træk i vælgeren for høj/lav hastighed for at vælge den egnede driftshastighed.

Beskrivelse af dele i fig. M, se nedenfor:

M-1	Vælger for høj/lav hastighed
M-2	Låseknop
M-3	Startknop

## BRUG AF GRÆSTRIMMEREN

**⚠ ADVARSEL:** For at undgå alvorlig personskade bæres altid beskyttelsesbriller eller sikkerhedsbriller, når denne enhed betjenes. Brug en ansigtsmaske eller støvmaske, hvor der er støvet.

Ryd området, hvor der skal trimmes, før hver brug. Fjern alle genstande, såsom sten, glasskår, søm, tråd, eller linje, der kan slynges eller blive viklet ind i trimmerdelen. Få børn, tilskuere og kæledyr væk fra området. Hold alle børn, omkringstående og kæledyr mindst 15 m væk. Tilskuere kan stadig være i fare for at blive ramt af genstande, der slynges ud. Omkringstående bør opfordres til at bære øjenbeskyttelse. Hvis nogen nærmer sig, så stop straks motoren og trimmerdelen.

## Før hver anvendelse undersøges for skader / slidte dele

Tjek fjederhoved, kappe og fronthjælpehåndtag, og udskift de dele, der er revnede, skæve, bøje-ede eller beskadigede på nogen måde.

Snorkniven på kanten af kappen bliver med tiden sløv. Det anbefales regelmæssigt at slibe den med en fil eller udskifte den med en ny kniv.

**⚠ ADVARSEL:** Brug altid handsker ved montering af kappe eller ved udførelse af service på kniven. Vær forsigtig med kniven på kappen, og beskyt din hånd mod at blive skåret.

## Efter hver brug rengøres trimmeren.

**⚠ FORSIGTIG:** Forhindringer i ventilationsåbningerne forhindrer luften i at komme ind i motorhuset og forårsager overophedning eller beskadigelse af motoren.

- Brug kun mild sæbe og en fugtig klud til at rengøre værktøjet. Lad aldrig vasker komme ind i værktøjet, nedsenk det aldrig i nogen form for væske.
- Hold altid lufthuller i motorhuset fri for snavs og skidt.

**⚠ ADVARSEL:** Brug aldrig vand til rengøring af din trimmer. Undgå at bruge opløsningsmidler ved rengøring af plastdele. De fleste plastmaterialer risikerer at blive ødelagt ved brug af forskellige typer af alment tilgængelige opløsningsmidler. Brug rene klude til at fjerne snavs, støv, olie, fedt osv.



## JUSTERING AF TRIMMERSNORENS LÆNGDE

Trimmeren giver operatøren mulighed for at frigive mere trimmersnor uden at stoppe motoren. Efterhånden som snoren bliver flosset eller slidt, kan man frigive ekstra snor ved at trykke fjederhovedet let mod jorden, mens trimmeren kører (fig. Q).

**BEMÆRK:** Frigivelse af snor bliver vanskeligere, når trimmersnoren bliver kortere.

**⚠ ADVARSEL:** Du må ikke fjerne snorkniven eller ændre på den enhed, hvor den sidder. For lang snor vil få motoren til at overophede og kan give alvorlig personskade.

## UDSKIFTNING AF SNOR

**BEMÆRK:** Brug altid den anbefalede trimmersnor af nylon med en diameter ikke over 2,4 mm. Brug af snor med anden diameter kan medføre, at græstrimmeren bliver overophedet eller beskadiget.

**⚠ ADVARSEL:** Brug aldrig metalforstærket tråd, wire eller reb osv. Disse kan knække og blive farlige projektiler.

1. Tag batteriet af.
2. Fjern resterende trimmersnor, hvis nødvendigt.
3. Klip et stykke trimmersnor af i en længde på 4 m. Indsæt snoren i monteringshullet i øjet (fig. R). Skub og træk snoren fra den anden side, indtil der sidder lige meget snor på begge sider af spolen.
4. Tryk, mens du roterer det nederste dæksel i pilens retning, for et vinde snoren op på spolen, indtil der stikker ca. 14 cm snor ud på hver side (fig. S).
5. Skub det nederste dæksel nedad, mens der trækkes i snorene, for manuelt at trække snor ud og for at kontrollere for korrekt montering af trimmerhovedet.

Hvis trimmersnoren springer ved udgangsojet, eller hvis snoren ikke frigives, når trimmerens hoved trykkes mod jorden, følges trinene nedenfor:

1. Tryk på de to løsetappe på det øverste dæksel, og fjern det nederste dæksel ved at trække den lige ud (fig. T og U).
2. Fjern trimmersnoren fra spolen.
3. Hold trimmeren med den ene hånd, og brug den anden hånd til at gribe om den nederste dækselenhed. Flugt indhakkene i den nederste dækselenhed med udløsertappene. (fig. V). Brug håndfladen til at trykke på den nederste dækselenhed, indtil tappene låser sammen med det øverste dæksel.

4. Følg vejledningen i "UDSKIFTNING AF SNOR", når der skal fyldes mere trimmersnor i.

## VEDLIGEHOLDELSE

**⚠ ADVARSEL:** Ved service må der kun bruges originale reservedele. Efterse og vedligehold apparatet regelmæssigt. For at sikre sikkerhed og pålidelighed skal alle reparationer udføres af en kvalificeret servicetekniker.

**⚠ ADVARSEL:** Batteridrevne værktøjer behøver ikke at være tilsluttet en stikkontakt, derfor er de altid driftsklar. Tag ekstra forholdsregler og udvis forsigtighed, når du udfører vedligeholdelse, service eller skal ændre trimmertilbehør eller andre påmonteringer.

**⚠ ADVARSEL:** For at undgå alvorlig personskade fjernes batteripakken fra værktøjet før service, rengøring, udskiftning af påmonteringer, eller før der fjernes materiale fra apparatet.

## RENGØRING AF APPARATET

- Rengør apparatet med en fugtig klud med et mildt rengøringsmiddel.
- Brug ikke stærke rengøringsmidler på plasthus eller håndtaget. De kan blive beskadiget af visse aromatiske olier, såsom fyr og citron, og opløsningsmidler såsom petroleum. Fugt kan også give elektrisk stød. Tør fugt af med en blød tør klud.
- Brug en lille børste eller luftafrækker på en lille støvsugerbørste til at rengøre lufthullerne for forhindringer på det bageste hus.

## TRANSMISSIONSGEARENES SMØRING

Transmissionsgearene i gearkassen skal smøres regelmæssigt med gearfedt. Kontrollér oliestanden i gearkassen for hver ca. 50 timers drift ved at fjerne lukkeskruen på siden af gearkassen.

Hvis der ikke er fedt på siderne af gearet, skal du følge trinnene nedenfor og fylde 3/4 op med fedt. Fyld ikke transmissionsgearene helt op.

1. Læg græstrimmeren på siden, så låseskruen vender opad (Fig. W).
2. Brug multifunktions-skruenøglen til at løsne og fjerne låseskruen.
3. Brug en fedtsprøjte (medfølger ikke) til at pumpe fedt ind i skruenhullet; fyld op til højst 3/4 af kapaciteten.
4. Når der er presset fedt ind, spændes lukkeskruen.

## OPBEVARING AF APPARATET

- Fjern batteripakken fra græstrimmeren, når den ikke er i brug.
- Rengør værktøjet grundigt, før det lægges væk.
- Opbevar apparatet på et tørt og godt ventileret sted, der er låst og utilgængeligt for børn. Opbevar ikke apparatet på eller ved siden af gødning, benzin eller andre kemikalier.

DK

## Beskyttelse af miljøet



Smid ikke elektrisk udstyr, batterioplader og batterier / genopladelige batterier i affaldsspanden!

Ifølge EU-direktiv 2012/19/EU og EU-direktiv 2006/66/EF skal henholdsvis elektrisk og elektronisk udstyr, der ikke længere er brugbart, og defekte eller brugte batterier / batteripakker indsamles særskilt.

Hvis elektriske apparater smides på lossepladsen eller affaldsdeponier kan der sive giftige stoffer ned i grundvandet og komme ud i fødekæden og gøre skade på menneskers sundhed og velfærd.

## FEJLFINDING

PROBLEM	ÅRSAG	LØSNING
Græstrimmer starter ikke.	<ul style="list-style-type: none"> <li>■ Batteripakken er ikke sat på trimmeren.</li> <li>■ Ingen elektrisk kontakt mellem trimmer og batteri.</li> <li>■ Batteripakken er afladet.</li> <li>■ Låseknappen og startknappen er ikke blevet trykket ned samtidigt.</li> </ul>	<ul style="list-style-type: none"> <li>■ Sæt batteripakken på trimmeren.</li> <li>■ Fjern batteriet, kontrollér kontakter, og sæt batteripakken på igen.</li> <li>■ Oplad batteriet.</li> <li>■ Tryk ned på låseknappen ned og hold den, tryk derefter på startknappen for at starte græstrimmeren.</li> </ul>
Græstrimmer stopper, mens der trimmes.	<ul style="list-style-type: none"> <li>■ Kappen er ikke monteret på trimmeren, hvilket resulterer i en alt for lang trimmersnor og overbelastning af motoren.</li> <li>■ Der anvendes kraftig trimmersnor.</li> <li>■ Motoraksel eller trimmerhoved er fyldt med græs.</li> <li>■ Motoren er overbelastet.</li> <li>■ Batteripakken eller græstrimmeren er for varm.</li> <li>■ Batteripakken er taget af værktøjet.</li> <li>■ Batteriet er afladet.</li> </ul>	<ul style="list-style-type: none"> <li>■ Fjern batteripakken, og sæt kappen på trimmeren.</li> <li>■ Brug standard trimmersnor af nylon med en diameter på højst 2,4 mm.</li> <li>■ Stop trimmeren, fjern batteriet, og fjern græs fra motoraksel og trimmerhoved.</li> <li>■ Løft trimmerhovedet op fra græsset. Motoren vil begynde at arbejde igen, så snart belastningen er fjernet. Når der trimmes, flyttes trimmerhovedet ind og ud af græsset, der skal trimmes. Der bør højst fjernes omkring 20 cm. ad gangen i et enkelt snit.</li> <li>■ Lad batteripakke eller trimmer køle indtil temperaturen falder til under 67 °C.</li> <li>■ Sæt batteripakken på plads igen.</li> <li>■ Oplad batteripakken.</li> </ul>
Trimmerhoved rykker ikke snoren frem.	<ul style="list-style-type: none"> <li>■ Motoraksel eller trimmerhoved er fyldt med græs.</li> <li>■ Der er ikke tilstrækkeligt med snor på spolen.</li> <li>■ Trimmerhovedet er snavset.</li> <li>■ Snoren er filtret på spolen.</li> <li>■ Snoren er for kort.</li> </ul>	<ul style="list-style-type: none"> <li>■ Stop trimmeren, fjern batteriet, og fjern græs fra motoraksel og trimmerhoved.</li> <li>■ Fjern batteriet, og udskift snoren; se afsnittet "UDSKIFTNING AF SNOR" i denne vejledning.</li> <li>■ Tag batteriet af, og rengør trimmerhovedet.</li> <li>■ Tag batteriet af, tag snoren af trimmerhovedet, og spol den på igen; se afsnittet "GENSÆTNING AF SNOR" i denne vejledning.</li> <li>■ Tag batteriet af og træk i snorene, mens trimmerhovedet skiftevis trykkes ned og slippes.</li> </ul>

PROBLEM	ÅRSAG	LØSNING
Græs er snoet omkring trimmerhoved og motorhus.	<ul style="list-style-type: none"><li>■ Trimning af højt græs i jordhøjde.</li></ul>	<ul style="list-style-type: none"><li>■ Klip højt græs oppefra og ned, og tag ikke mere end ca. 20 cm. hver gang for at forhindre, at græsset snor sig fast.</li></ul>
Revner på trimmerens hoved eller det nederste dæksel løsner sig fra det øverste dæksel.	<ul style="list-style-type: none"><li>■ Trimmerhovedet er slidt.</li></ul>	<ul style="list-style-type: none"><li>■ Udskift straks trimmerhovedet; dette udføres af en kvalificeret servicetekniker.</li></ul>

## GARANTI

**DK**

### EGO's GARANTIPOLITIK

Besøg venligst hjemmesiden [egopowerplus.com](http://egopowerplus.com) for fuldstændige vilkår og betingelser for EGO's garantipolitik.

## LÄS IGENOM ALLA INSTRUKTIONER!



### LÄS IGENOM BRUKSANVISNINGEN

**⚠ Kvarstående risker!** Personer med elektroniska implantat såsom hjärtstimulatorer bör konsultera sin(a) läkare innan de använder denna produkt. Användning av elutrustning nära en hjärtstimulator kan störa eller avbryta dess funktion.

**⚠ VARNING!** Alla reparationer bör utföras av en kvalificerad servicetekniker för att upprätthålla produktens säkerhet och driftssäkerhet.

## SÄKERHETSSYMBOLER

Syftet med säkerhetssymboler är att fästa din uppmärksamhet på eventuella risker. Säkerhetssymbolerna och deras betydelser bör uppmärksammas noga och förstås. Själva varningssymboler kan dock inte förebygga någon fara. De instruktioner och varningar som de hänvisar till kan aldrig ersätta lämpliga olycksförebyggande åtgärder.

**⚠ VARNING!** Se till att läsa igenom och förstå alla säkerhetsinstruktioner i bruksanvisningen, inklusive alla varningssymboler såsom **“RISK”**, **“VARNING”** och **“VAR FÖRSIKTIG”**, innan produkten tas i bruk. Underlåtenhet att följa alla nedan angivna instruktioner kan leda till elstöt, brand och/eller svår personskada

## YMBOLERNAS BETYDELSE

### SÄKERHETSRELATERAD VARNINGSSYMBOL:

Betecknar RISK, VARNING eller VAR FÖRSIKTIG. Kan förekomma i samband med andra symboler eller piktogram.



**⚠ VARNING!** Arbeta med eldrivna verktyg kan medföra att främmande föremål slungas upp i ögonen vilket kan orsaka svåra ögonskador. Ta alltid på dig skyddsglasögon eller skyddsglasögon med sidoskydd och vid behov ett komplett ansiktsskydd innan du börjar arbeta med eldrivna verktyg. Vi rekommenderar att använda en Wide Vision Safety Mask ovanpå glasögon eller vanliga skyddsglasögon med sidoskydd.

## SÄKERHETSINSTRUKTIONER

På denna sida anges säkerhetssymboler som kan förekomma på produkten. Alla instruktioner som anges på enheten bör granskas, förstås och följas innan du försöker montera och använda den.

	Säkerhetsvarning	Indikerar en potentiell risk för personskada.
	Läs igenom bruksanvisningen	För att minska risker för skador måste användare läsa igenom och förstå bruksanvisningen innan denna produkt används.
	Använd skyddsglasögon!	Använd alltid hörselskydd när denna produkt används.
	Använd hörselskydd	Använd alltid hörselskydd när denna produkt används.
	Inga sågblad	Montera inte metall- eller plastskärblad
	Håll obehöriga på avstånd	Se till att andra personer och husdjur befinner sig minst 15 m från trädtrimmen när den används.
	Håll obehöriga på avstånd	Se till att andra personer och husdjur befinner sig minst 15 m från trädtrimmen när den används.
	Buller	Ljudtrycksnivå
	Ingång skyddsgrad	Skydd mot stänkande vatten
V	Volt	Spänning
mm	Millimeter	Längd eller storlek
cm	Centimeter	Längd eller storlek
	Likström	Typ eller karakteristik av ström
$n_0$	Tomgångshastighet	Rotationshastighet utan belastning
min <sup>-1</sup>	Per minut	Varv per minut

SE

## VIKTIGA SÄKERHETSINSTRUKTIONER

**⚠ VARNING!** När elektriska trimmer används måste de allmänna försiktighetsåtgärderna alltid följas för att minska risken för brand, elektriska stötar och personsador. Inklusive följande:

## LÄS IGENOM ALLA INSTRUKTIONER

**⚠ FARA!** Förlita dig inte på verktygets isolering för att skydda dig mot elektriska stötar. För att minska risken för elektriska stötar, använd aldrig verktyget i närheten av några ledningar eller kablar som kan vara strömförande.

**⚠ FÖRSIKTIGHET!** Ha på dig lämpligt hörselskydd under arbetet. I vissa förhållanden och vid längre användning kan buller från produkten bidra till hörselnedsättning.

## UTBILDNING

- Läs noga igenom instruktionerna. Lär känna styrenheterna och korrekt användning av maskinen.
- Låt inga personer som inte är förtrogna med dessa instruktioner använda maskinen. Lokala föreskrifter kan begränsa användarens ålder.
- Glöm inte att operatören eller användaren ansvarar för olyckor och risker som andra personer eller deras egendom utsätts för.

## FÖRBEREDELSE

- Maskinen får inte användas i närheten av andra människor, särskilt barn, eller husdjur.
- Använd alltid skyddsglasögon och kraftiga skor under arbete med denna maskin.
- Avståndet mellan maskinen och åskådare måste vara minst 15 meter.
- Använd inte metallklingor

## ANVÄNDNING

- Maskinen får endast användas i dagsljus eller bra belysning.
- Maskinen får inte användas med skadade skydd eller skärmar eller utan påmonterade skydd eller skärmar.
- Motorn får startas först när händerna och fötterna är på säkert avstånd från trimmerhuvudet.
- Koppla alltid ur maskinen från strömkällan (dvs dra ut stickproppen ur uttaget eller avlägsna säkerhetsnyckeln):
  - När maskinen lämnas utan uppsyn;
  - Innan man avlägsnar en tilltappning;

- Före kontroll, rengöring eller ingrepp på maskinen;
- Efter stöt mot ett hinder;
- När maskinen börjar vibrera onormalt.
- Undvik hand- och fotskador pga trimmerhuvudet.
- Se alltid till att luftöppningarna är fria från skräp.

## UNDERHÅLL OCH FÖRVARING

- Koppla ur maskinen från strömkällan (dvs dra ut stickproppen ur uttaget eller avlägsna säkerhetsnyckeln) före underhåll eller rengöring.
- Använd endast reservdelar och tillbehör som rekommenderas av tillverkaren.
- Granska maskinen och utför underhåll regelbundet. Reparationer får endast utföras av en auktoriserad reparatör.
- Förvara maskinen oåtkomligt för barn medan den inte används.

## ÖVRIGA SÄKERHETSVARNINGAR

- Undvik farliga miljöer - Grästrimmers får inte användas i fuktiga eller våta miljöer.
- Stäng alltid av grästrimmern eller ta ut batteripacket när trimmern lämnas utan uppsyn.
- Grästrimmern får inte användas i regn.
- Håll barn på avstånd - Alla obehöriga bör hållas utanför arbetsområdet.
- Ha på dig lämpliga kläder - Använd inga löst sittande kläder eller smycken. De kan fastna i rörliga maskindelar. Gummihandskar och kraftiga skor rekommenderas vid arbete utomhus. Täck över långt hår.
- Används skyddsglasögon - Använd alltid skyddsglasögon när maskinen används.
- Använd rätt verktyg - Maskinen får inte användas för något annat ändamål än det avsedda.
- Trimmern får inte forceras - Den fungerar bättre och med mindre risk för personskada vid hastigheter som den är avsedd för.
- Sträck dig inte för långt - Se till att du hela tiden har säkert fotfäste och balans.
- Var uppmärksam - Se vad du gör. Använd sunt förnuft. Trimmern får inte användas medan du är trött.
- Trimmern får inte användas medan du är påverkad av alkohol eller narkotika.
- Se till att skydden är påmonterade och i funktionsdugligt skick.
- Förvara trimmern inomhus - Medan trimmern inte används bör den förvaras inomhus, med urtaget batteripack, i ett torrt och högt beläget eller låst ställe - oåtkomligt för barn.

- Ta hand om trimmern - Håll trimmerhuvudet rent för bästa resultat och för att minska risken för personskada. Följ instruktionerna för byte av tillbehör. Håll handtagen torra, rena och fria från olja och smörjmedel.
- Kontrollera skadade detaljer - Ett skadat skydd eller annan detalj bör kontrolleras nog innan trimmern används igen för att försäkra sig om att det fungerar korrekt och fyller dess avsedda funktion. Kontrollera maskinen för skevning eller kärvning av rörliga detaljer, skada på detaljer, fel montering eller annat som kan påverka verktygets funktion. Ett skadat skydd eller annan detalj ska repareras korrekt eller bytas ut på ett auktoriserat servicecenter om inte annat anges i bruksanvisningen.
- Städa arbetsområdet före varje användning. Avlägsna alla föremål såsom stenar, glasskärvor, spikar, metalltråd eller snöre som kan slungas ut eller fastna i trimmerhuvudet. Se till att andra personer och husdjur förblir på minst 30m avstånd.
- Kontrollera maskinen för nötning eller skada före varje användning och efter varje stöt mot hinder, reparera efter behov.
- Se alltid till att hålla trimmern i stadigt grepp under arbetet, med båda händerna på handtagen. Grip runt handtagen med fingrarna och tummarna.
- Undvik oavsiktlig start - Trimmern får inte bäras med fingret på avtryckaren.
- Trimmern får inte användas i närvaro av bensenångor eller i andra explosiva miljöer. Motorer på sådana maskiner avger gnistor vid normal drift som kan tända ångor.
- Skada på trimmern - Om trimmern stöter mot ett främmande föremål eller fastnar, stäng av maskinen omedelbart, ta ut batteripaketet ur trimmern, kontrollera den för skada och få alla eventuella skador reparerade innan grässtrimmern används igen. Maskinen får inte användas med ett skadat skydd eller en skadad spole.
- Om maskinen börjar vibrera onormalt, stäng av motorn, ta ut batteripaketet ur grässtrimmern och ta omedelbart reda på orsaken. Vibration tyder oftast på problem. Ett löst trimmerhuvud kan vibrera, spricka, gå sönder eller lossna från trimmern vilket kan medföra risk för svåra personsador eller död. Se till att trimmerhuvudet sitter ordentligt fast. Om huvudet lossnar efter att det har fäst på plats, få det utbytt omedelbart. Trimmern får aldrig användas med löst trimmerhuvud.
- Ett sprucket, skadat eller nött trimmerhuvud ska bytas ut omedelbart, även om det handlar om ytliga sprickor. Sådana detaljer kan gå sönder vid hög hastighet och orsaka svåra personsador eller död.
- Kontrollera trimmerhuvudet ofta och regelbundet under arbetet eller omedelbart när man märker en förändring i trimningsfunktionen.
- Använd endast godkända EGO™-tillbehör för polymerskärtråd och en skärtråd som är avsedd för användning med denna maskin. Trots att vissa ej godkända tillbehör går att montera på grässtrimmern av EGO™ kan användning av dessa visa sig ytterst farlig och/eller skadlig för verktyget.
- Använd aldrig någon metalltråd eller metallförstärkt tråd i stället för nylontråd för att minska risken för svåra personsador. Sådan tråd kan gå sönder och bitarna kan slungas ut vid hög hastighet mot operatören eller andra människor.
- Arbeta aldrig på en stege eller något annat ostadigt underlag för att minska risken för personskada pga att man tappar kontrollen. Trimmerhuvudet får aldrig hållas ovanför midjehöjden.
- Var försiktig och använd sunt förnuft i situationer som inte beskrivs i bruksanvisningen. Kontakta EGO:s servicecenter för hjälp.
- Batteripaketet får inte laddas i regn eller vata.
- Använd endast EGO:s batteripack och laddare.

BATTERIPAKET	LADDARE
BA1 120E, BA1 400, BA2240E BA2800, BA3360, BA4200, BA1 400T, BA2800T, BA4200T	CH2100E, CH5500E

- Ta ut batteripaketet ur maskinen innan den kasseras.
- Kassera det uttjänta batteriet på ett säkert sätt.
- Kassera inte batteriet i elden. Cellerna kan explodera. Kontrollera med lokala myndigheter för särskilda instruktioner för kassering.
- Försök aldrig att öppna eller bryta sönder batteriet. Utläckt elektrolyt är frätande och kan skada ögonen eller huden. Den kan vara giftig vid förtäring.
- Hantera batterier försiktigt för att undvika kortslutning pga strömförande material såsom ringar, armband och nycklar. Batteriet eller det strömförande föremålet kan bli hett och orsaka brännsår.
- Använd endast identiska reservdelar av EGO™ vid service. Användning av andra tillbehör eller detaljer kan öka risken för personskada
- Batteridrivna verktyg behöver inte anslutas till ett uttag; därför är de alltid användningsklara. Var medveten om eventuella risker medan det batteridrivna verktyget inte används. Var försiktig vid underhåll eller service.
- Spola inte med vatten; undvik intrång av vatten i motorn och elkopplingarna.

- Spara dessa instruktioner. Läs dem ofta och använd dem för att instruera eventuella övriga användare av enheten. Om du lånar enheten till någon bör dessa instruktioner följa med för att förebygga eventuell fel användning och personskada.
- Ha alltid på dig kraftiga skor och långbyxor under användning av maskinen.
- Behåll alltid säkert fotfäste på sluttningar och gå med maskinen, spring inte.

## SPARA DESSA INSTRUKTIONER!

## SPECIFIKATIONER

Spänning	56 V <sup>---</sup>	
Obelastad hastighet	5000/6000 min <sup>-1</sup>	
Skärmekanism	Trådhuvsud	
Skärtrådens typ	2,4mm nylonlina	
Klippbredd	38 cm	
Vikt (utan batteripack)	4,21Kg	
Uppmätt ljudeffektnivå L <sub>WA</sub>	94,3 dB(A) K=1,37 dB(A)	
Ljudtrycksnivå vid operatörens öra L <sub>TPA</sub>	82,6 dB(A) K= 3 dB(A)	
Garanterad ljudeffektsnivå L <sub>WA</sub> (i enlighet med 2000/14/EG)	96 dB(A)	
Vibration a <sub>h</sub>	Bakre handtag	3,97 m/s <sup>2</sup> K=1,5 m/s <sup>2</sup>
	Främre handtag	2,78 m/s <sup>2</sup> K=1,5 m/s <sup>2</sup>

## PACKLISTA

ARTIKELNAMN	ANTAL
Trådtrimmer	1
Skydd	1
Främre handtagsenhet	1
Insexnyckel	1
Multifunktionell skiftnyckel	1
Axelrem	1
Bruksanvisning	1

## BESKRIVNING

### LÄRA KÄNNA DIN TRÅDTRIMMER (bild A)

1. Tröskelring
2. Avtryckare
3. Bakre handtag
4. Luftintag
5. Låsknapp
6. Hastighetsreglage hög/låg
7. AxelRem monteringskrok
8. Justerbart främre handtag
9. Axelrem
10. Multifunktionell skiftnyckel
11. Insexnyckel
12. Trimmerhuvud (stöthuvud)
13. Skärtråd
14. Frikopplingsflik
15. Tråd-Skärblad
16. Skydd
17. Utmatningsmekanism
18. Elektrisk kontakt
19. Spärrhake
20. Gummiskydd
21. Batterilåsknapp

## MONTERING

**⚠ VARNING:** Om någon av delarna skadats eller saknas, använd inte denna produkt förrän delarna har bytts ut. Användning av denna produkt om den är skadad eller saknar delar kan resultera i allvarliga personsador.

**⚠ VARNING:** Försök inte att modifiera denna produkt eller skapa tillbehör som inte rekommenderas för användning med denna trådtrimmer. Alla sådana ändringar eller modifikationer är felaktig användning och resulterar i farliga förhållanden som kan leda till allvarliga personsador.

**⚠ VARNING:** För att förhindra oavsiktlig start som kan orsaka allvarliga personsador skall alltid batteripaketet tas bort från verktyget innan delar monteras.



## MONTERA SKYDDET

**⚠ VARNING:** Använd alltid handskar vid montering eller utbyte av skyddet. Var försiktig med skärbladet på skyddet och skydda din hand.

**⚠ VARNING:** Använd aldrig verktyget utan att skyddet är korrekt på plats. Skyddet måste alltid vara monterat på verktyget för att skydda användaren! När skyddet är fastsatt, försök aldrig att ta bort eller justera det, om utbyte krävs måste det utföras av en kvalificerad servicetekniker!

1. Lossa och ta bort de två skruvarna från skyddet (bild B).
2. Rikta in skyddets fästhål med monteringshålen och lås sedan fast skyddet på axelns bas med de två skruvarna tillsammans med två fjäderbrickor (bild C).

**NOTERA:** Se till att skyddet är korrekt fastsatt enligt bild B och C, all omvänd fastsättning är mycket farligt!

## MONTERA OCH JUSTERA DET FRÄMRE HANDTAGET

1. Lossa låsstäng i främre handtaget och ta bort låsstäng och vingmuttern från det främre handtaget (bild D).

Bild D. Se nedan för beskrivning av delar:

D-1	Låsstång	D-3	Fästblock
D-2	Främre Handtag	D-4	Vingmutter

2. Skjut främre handtaget på axeln (bild E).
3. Sätt in fästblocket i handtagsöppningen (bild F).
4. Montera låsstäng och dra åt dem i förhand med vingmuttern. Se till att det främre handtaget är riktat uppåt och pekar mot den övre delen på det bakre handtaget (bild G).
5. Justera det främre handtaget mellan tröskelringen och etiketten för att säkerställa att din främre arm är rak vid användning (bild H).
6. Lås spaken för låsstäng. (Bild I).

**NOTERA:** Det främre handtaget ska vridas uppåt så att det pekar mot ovansidan av det bakre handtaget.

**⚠ VARNING:** Fäst endast det främre handtaget mellan tröskelringen och etiketten på skaftet.

**⚠ VARNING:** Verktyget kan inte användas utan att det främre handtaget är korrekt fastsatt.

## MONTERA AXELREMMEN

Tryck in remhaken för att öppna den och fästa den på axelremmens monteringskroken (bild J).

## ANVÄNDNING

**⚠ VARNING:** Bli inte vårdslös bara för att du är bekant med denna produkt. Kom ihåg att oaksamhet under en bråkdel av en sekund är tillräcklig för att orsaka allvarliga skador.

**⚠ VARNING:** Använd alltid skyddsglasögon eller skyddsglasögon med sidoskydd tillsammans med hörselskydd. Om inte detta görs så kan allvarliga skador uppstå om föremål kastas i dina ögon eller andra allvarliga skador kan uppstå.

**⚠ VARNING:** Använd inga andra tillsatser eller tillbehör än de som rekommenderas av tillverkaren av denna produkt. Användning av tillbehör eller tillsatser som inte rekommenderas kan resultera i allvarlig personskada.

**⚠ VARNING:** För att förhindra allvarliga personskador, ta ut batteripaketet före service, rengöring, ändring av tillbehör eller borttagning av material från enheten.

Du kan använda denna produkt för de tillämpningar som listas nedan:

**Trimning:** används för att ta bort gräs och ogräs mot väggar, staket, träd och kanter.

**Beskärning:** används för att kapa gräs som är svårt att komma åt med en vanliga gräsklippare.

**NOTERA:** Verktyget får enbart användas för det föreskrivna ändamålet. All annan användning, t.ex. häcktrimning, anses vara en felaktig användning.

## FÄSTA/TA LOSS BATTERIPAKETET

### Ladda fullt innan första användning

#### Fästa

Rikta in listerna på batteriet med monteringsspåren och tryck in sedan ner batteripaketet tills du hör ett "klick" (bild K).

#### Ta bort

Tryck in frigöringsknappen för batteriet och dra sedan ut batteripaketet enligt bild L.

Bild L. Se nedan för beskrivning av delar:

L-1	Batterilåsknapp
-----	-----------------

## HÅLLA TRÅDTRIMMERN

**⚠ VARNING:** Använd korrekta kläder för att minska risken för personsador vid användning av detta verktyg. Bär inte löst sittande kläder eller smycken. Använd ögon- och öron-/hörselskydd. Använd rejäla långbyxor, kängor och handskar. Använd inte shorts, sandaler eller gå barfota.

Före användning, ställ dig i arbetsläget och kontrollera att du har skyddsglasögon, korrekt klädsel, välbalanserat fotfäste och håller i det främre handtaget med rak arm.

**NOTERA:** Trimmerhuvudet är parallellt med marken vid ett lämpligt skäravstånd utan att Laddaren operatören behöver böja sig (bild N).

SE

För en säkrare och bättre användning, ta på dig axelremmen över axeln såsom visas i bild N. Justera axelremmen till en bekväm arbetsställning. Håll trådtrimmern med båda händerna: En hand på det bakre handtaget och den andra handen på det främre handtaget.

Du kan frigöra remmen på två sätt. Ta bort den direkt från din axel (bild O) eller tryck på haken på remmen och ta bort den från axelremmens monteringskrok som är fäst på skaftet (bild P).

**⚠ VARNING:** Axelremmen är även en snabb frigöringsmekanism vid en farlig situation. När ett nödläge inträffar, ta omedelbart av den från axeln oavsett vilket läge som remmen är i.

## STARTA/STOPPA TRÅDTRIMMERN (bild M)

### Starta

Tryck in startspaken och tryck sedan in avtryckaren. När avtryckaren trycks ner olika hårt resulterar det i variabel rotationshastighet för skärtråden. Mer tryck, högre hastighet.

### Stoppa

Släpp upp avtryckaren.

**NOTERA:** Motorn körs endast när både startspaken och avtryckaren trycks in.

**⚠ VARNING:** Ta alltid ut batteripacket ur trådtrimmern vid arbetspauser och efter att du har jobbat klart.

## Hastighetsjustering (bild M)

Trådtrimmern har två olika hastigheter. Läget "1" är för låg hastighet och läget "2" är för hög hastighet. Tryck in eller dra ut reglaget för hög/låg hastighet för att välja en lämplig hastighet vid drift.

Bild M. Se nedan för beskrivning av delar:

M-1	Hastighetsreglage hög/låg
M-2	Låsknapp
M-3	Avtryckare

## ANVÄNDA TRÅDTRIMMERN

**⚠ VARNING:** Använd alltid skyddsglasögon eller skyddsglasögon med sidoskydd under arbetet med verktyget. Använd även ett ansiktsskydd eller dammask i dammiga miljöer.

Ståda arbetsområdet före varje användning. Avlägsna alla föremål såsom stenar, glasskärvor, spikar, metalltråd eller snöre som kan slungas ut eller fastna i trimmerhuvudet. Håll barn, obehöriga och husdjur borta. Håll dem på minst 15m avstånd; risk pga utslungade föremål kan förekomma. Det rekommenderas att närvarande människor ska ha på sig skyddsglasögon. Om någon närmar sig arbetsområdet, stäng omedelbart av motorn och trimmerhuvudet.

## Kontrollera maskinen för skada/nötta detaljer före varje användning

Kontrollera trimmerhuvudet, skyddet och det främre hjälphandtaget och byt ut spruckna, skeva, böjda eller annars skadade detaljer.

Trådkniven på skyddets kant kan bli slö med tiden. Det rekommenderas att slipa den periodiskt eller byta ut den mot en ny kniv.

**⚠ VARNING:** Använd alltid handskar vid montering av skyddet eller vässning eller utbyte av skärbladet. Var försiktig med skärbladet på skyddet och skydda din hand.

## Rengör trimmern efter varje användning.

**⚠ CAUTION:** Om ventilerna blockeras förhindras luften från att flöda in i motorhöljet, vilket kan resultera i överhettning eller skada på motorn.

- Använd endast mild två och en fuktad trasa för att rengöra verktyget. Låt aldrig någon vätska komma in i verktyget; sänk aldrig ner någon del av verktyget i en vätska.
- Håll alltid luftventilerna på motorhöljet fria från skräp.

**⚠ VARNING:** Använd aldrig vatten för att rengöra din trimmer. Använd inte lösningsmedel när du rengör plastdelarna. De flesta plaster är känsliga för skador från olika typer av kommersiella lösningsmedel. Använd rena trasor för att ta bort smuts, damm, olja, fett osv.

## JUSTERA SKÄRTRÅDENS LÄNGD

Trimmerhuvudet låter operatören dra ut mer skärtråd utan att motorn behöver stoppas. När tråden blir fransig eller sliten kan mer tråd frigöras genom att knacka trimmerhuvudet lätt mot marken när trimmern är igång (Q).

**NOTERA:** Tråden blir svårare att mata ut i takt med att skärtråden blir kortare.

**⚠ VARNING:** Ta inte bort eller modifiera skärbladet för tråden. En för lång tråd får motorn att överhettas och kan resultera i allvarliga personskador.

## BYTA UT TRÅDEN

**NOTERA:** Använd alltid rekommenderade nylontråd med en diameter som inte överstiger 2,4 mm. Om en annan skärtråd än den som anges används kan trådtrimmern överhettas eller skadas.

**⚠ VARNING:** Använd aldrig metallförstärkta trådar, kablar eller rep osv. Dessa kan gå av och bli farliga projektiler.

1. Ta ut batteripaketet.
2. Ta bort den återstående skärtråden om så krävs.
3. Klipp till 4m lång skärtråd, för in tråden i monteringshålet på insidan av hålet (bild R). Tryck in och dra tråden från den andra sidan tills en likvärdig längd visas på spolens båda sidor.
4. Tryck ner och vrid nedre lockmontaget i pilens riktning för att linda in spolen tills cirka 14 cm av tråden visas på vardera sida (bild S).
5. Tryck ner nedre lockmontaget medan tråden dras ut manuellt för att förlänga den och för att kontrollera att trimmerhuvudet är korrekt monterat.

När skärtråden går av från trådutgången eller om skärtråden inte frigörs när trimmerhuvudet knackas lätt, följ stegen nedan:

1. Tryck in flikarna på övre locket och ta bort nedre lockmontaget genom att dra den rakt ut (bild T och U).
2. Ta bort skärtråden från spolen.
3. Håll det nedre lockmontaget med ena handen och använd den andra handen för att ta tag i det nedre lockhandtaget och rikta in flikarna mot hålen i det nedre lockmontaget (bild V); Använd handflatan för att trycka på det nedre lockmontaget tills flikarna låses med det övre locket.
4. Följ instruktionerna i "BYTA TRÅD" för att byta ut skärtråden.

## UNDERHÅLL

**⚠ VARNING:** Använd endast identiska reservdelar vid service. Användning av andra detaljer kan leda till risker eller skada på produkten. Granska maskinen och utför underhåll regelbundet. Alla reparationer bör utföras av en kvalificerad servicetekniker för att upprätthålla säkerhet och driftssäkerhet.

**⚠ VARNING!** Batteridrivna verktyg behöver inte anslutas till ett uttag; därför är de alltid användningsklara. Var särskilt försiktig och noggrann vid underhåll eller service eller vid byte av skärenheten eller andra enheter för att förebygga svåra personskador.

**⚠ VARNING!** Ta ut batteripaketet ur verktyget före service, rengöring eller byte av tillbehör eller innan du rensar maskinen från avklippt material för att förebygga svåra personskador.

## RENGÖRING AV MASKINEN

- Rengör maskinen med en fuktig trasa och lätt rengöringsmedel.
- Använd inga starka rengöringsmedel på plasthöljet eller handtaget. Dessa är känsliga mot vissa eteriska oljor såsom tall och citron samt lösningsmedel såsom fotogen. Även fukt kan medföra risk för elstöt. Torka av eventuell fukt med en mjuk, torr trasa.
- Använd en liten borste eller rengöringsborsten på en liten dammsugare för att rengöra luftventilerna på det bakre höljet.

## SMÖRJNING AV VÄXELLÅDAN

Växellådan i växelhuset måste smörjas regelbundet med växellådsolja. Kontrollera växellådans fettnivå efter varje 50 timmars användning genom att ta bort tätningsskruven på sidan av växelhuset.

Om inget fett kan ses på sidorna av växellådan, följ stegen nedan för att fylla på med växellådsolja upp till 3/4 kapacitet. Fyll inte upp den fullt.

1. Håll trådtrimmern på sidan så att tätningsskruven är riktad uppåt (bild W).
2. Använd den multifunktionella skiftnyckeln (medföljer) för att lossa och ta bort tätningsskruven.
3. Använd en fettspruta (medföljer ej) för att trycka in lite fett i skruvhålet. Överskrid inte 3/4 kapacitet.
4. Dra åt tätningsskruven efter appliceringen.

## FÖRVARA ENHETEN

- Ta ut batteripaketet från trådtrimmern när den inte används.
- Rengör verktyget nogga innan förvaring.
- Förvara enheten på en torr, välventilerad plats, inlåst eller högt upp, utom räckhåll för barn. Förvara inte enheten på eller i anslutning till gödningsmedel, bensin eller andra kemikalier.

## Skydda miljön



Elektriska enheter, batteriladdare och batterier/uppladdningsbara batterier får inte kastas med hushållsavfall!

Enligt det europeiska direktivet 2012/19/EU ska uttjänta elektriska och elektroniska enheter samlas separat; samma gäller för defekta eller uttjänta batteripack/batterier enligt det europeiska direktivet 2006/66/EG.

Om elektriska enheter hamnar i soptippar eller avfallsdepåer kan farliga ämnen läcka ut till grundvattnet, hamna i näringskedjan och skada din hälsa och ditt välmående och skada din hälsa och välbefinnande.

## FELSÖKNING

PROBLEM	ORSAK	LÖSNING
Trådtrimmern startar inte.	<ul style="list-style-type: none"> <li>■ Batteripacket är inte monterat på trimmern.</li> <li>■ Ingen elektrisk kontakt mellan trimmern och batteriet.</li> <li>■ Batteriet är helt tomt.</li> <li>■ Låsknappen och avtryckaren trycks inte in samtidigt.</li> </ul>	<ul style="list-style-type: none"> <li>■ Montera batteripacket på trimmern.</li> <li>■ Ta ut batteriet, kontrollera kontaktarna och sätt sedan tillbaka batteripacket.</li> <li>■ Ladda batteripaketet.</li> <li>■ Tryck in låsknappen och håll den nedtryckt, tryck sedan in avtryckaren för att starta trådtrimmern.</li> </ul>
Trådtrimmern stoppas under användning.	<ul style="list-style-type: none"> <li>■ Skyddet är inte monterat på trimmern, vilket resulterar i en för lång skärtråd och överbelastning av motorn.</li> <li>■ Kraftig skärtråd används.</li> <li>■ Motoraxeln eller trimmerhuvudet är intrasslat i gräs.</li> <li>■ Motorn är överbelastad.</li> <li>■ Batteripaketet eller trådtrimmern är för varm.</li> <li>■ Batteripacket är inte anslutet till verktyget.</li> <li>■ Batteriet är helt tomt.</li> </ul>	<ul style="list-style-type: none"> <li>■ Ta ut batteripaketet och montera skyddet på trimmern.</li> <li>■ Använd rekommenderad nylontråd med en diameter som inte överstiger 2,4 mm.</li> <li>■ Stoppa trimmern, ta ut batteriet och ta bort gräset från motoraxeln och trimmerhuvudet.</li> <li>■ Ta bort trimmerhuvudet från gräset. Motorn fungerar som vanligt när belastningen är borttagen. Vid skärning, för trimmerhuvudet in och ut från gräset som ska klippas och kapa inte mer än 20 cm längd med ett enskilt skär.</li> <li>■ Låt batteripaketet och trimmern svalna tills temperaturen sjunker under 67 °C.</li> <li>■ Montera batteripacket igen.</li> <li>■ Ladda batteripaketet.</li> </ul>
Trimmerhuvudet matar inte ut mer tråd.	<ul style="list-style-type: none"> <li>■ Motoraxeln eller trimmerhuvudet är intrasslat i gräs.</li> <li>■ Det finns inte tillräckligt med tråd på spolen.</li> <li>■ Trimmerhuvudet är smutsigt.</li> <li>■ Tråden är intrasslad i spolhållaren.</li> <li>■ Tråden är för kort.</li> </ul>	<ul style="list-style-type: none"> <li>■ Stoppa trimmern, ta ut batteriet och ta bort gräset från motoraxeln och trimmerhuvudet.</li> <li>■ Ta ut batteriet och byt ut skärtråden; följ instruktionerna i avsnittet "BYTA UT TRÅDEN" i denna bruksanvisning.</li> <li>■ Ta ut batteripaketet och rengör trimmerhuvudet.</li> <li>■ Ta ut batteriet, ta bort tråden från trimmerhuvudet och linda in den igen; följ instruktionerna i avsnittet "LADDA SKÄRTRÅDEN" i denna bruksanvisning.</li> <li>■ Ta ut batteriet och dra i tråden manuellt medan trimmerhuvudet trycks in och släpps upp.</li> </ul>

PROBLEM	ORSAK	LÖSNING
Gräs trasslar in sig runt trimmerhuvudet och motorhöljjet.	<ul style="list-style-type: none"><li>■ Skära högt gräs i marknivå.</li></ul>	<ul style="list-style-type: none"><li>■ Klipp högt gräs nerifrån och upp, kapa inte mer än 20 cm per svep för att undvika grästrassel.</li></ul>
Sprickor på trimmerhuvudet eller nedre lockmontage lossnar från övre locket.	<ul style="list-style-type: none"><li>■ Trimmerhuvudet är slitet.</li></ul>	<ul style="list-style-type: none"><li>■ Byt omedelbart ut trimmerhuvudet hos en kvalificerad servicetekniker.</li></ul>

## GARANTI

### EGO GARANTIPOLICY

Besök webbsidan [egopowerplus.com](http://egopowerplus.com) för fullständiga villkor för EGO garantipolicy.

SE

## LUE KAIKKI OHJEET!



### LUE KÄYTTÖOPAS

**⚠ Jäännösriski!** Henkilöiden, joilla on elektroniikkalaitteita, kuten sydämentahdistimia, tulee neuvotella lääkärin kanssa ennen tuotteen käyttöä. Sähkölaitteiden käyttö sydämentahdistimen läheisyydessä voi aiheuttaa tahdistimeen häiriöitä tai vikoja.

**⚠ VAROITUS:** Valtuutetun huoltoteknikon tulee suorittaa kaikki korjaukset ja osien vaihdot, jotta voidaan taata tuotteen turvallinen ja luotettava käyttö.

## TURVAMERKIT

Turvamerkkien tavoitteena on kiinnittää huomio mahdollisiin vaaroihin. Sinun tulee lukea huolellisesti käyttöohjeet ja ymmärtää turvamerkit ja niiden selitteet. Turvamerkit eivät itsessään poista vaaraa. Niiden antamat ohjeet ja varoitukset eivät korvaa asianmukaisia tapaturman torjuntatoimenpiteitä.

**⚠ VAROITUS:** Varmista, että luet ja ymmärrät kaikki tämän käyttäjän käsikirjan turvallisuusohjeet, mukaan lukien kaikki vaaramerkit, kuten "**VAARA**", "**VAROITUS**" ja "**HUOMIO**", ennen kuin käytät työkalua. Alla mainittujen ohjeiden noudattamatta jättäminen voi aiheuttaa sähköiskun, tulipalon ja/tai vakavan henkilövahingon.

## MERKIN SISÄLTÖ

**VAROITUSMERKKI:** Ilmaisee seuraavia: **VAARA**, **VAROITUS** TAI **HUOMIO**. Voidaan käyttää yhdessä muiden merkkien tai kuvamerkkien kanssa.



**⚠ VAROITUS:** Vierasesineitä voi sähkötyökalujen käytön seurauksena lentää silmiin, ja ne voivat aiheuttaa vakavan silmävamman. Käytä aina suojalaseja tai turvalaseja sivusuojilla ja tarvittaessa kokokasvosuojusta ennen sähkötyökalun käytön aloittamista. Suosittelemme laajan näkökentän kasvosuojusta silmälasien päälle tai vakioturvalaseja sivusuojilla.

## TURVALLISUUSOHJEET

Tällä sivulla esitetään ja kuvataan tähän tuotteeseen mahdollisesti liittyvät turvamerkit. Lue kaikki koneen ohjeet siten, että ymmärrät ne, ja noudata niitä ennen kuin kasaat koneen ja käytät sitä.

	Turvallisuusvaroitukset	Ilmaisee mahdollista henkilövahingon vaaraa.
	Lue käyttäjän käsikirja	Käyttäjän on luettava ja ymmärrettävä käyttöopas ennen tämän laitteen käyttöä vammarsikin vähentämiseksi.
	Käytä suojalaseja	Käytä aina kuulosuojaimia, kun käytät laitetta.
	Käytä kuulosuojaimia	Käytä aina kuulosuojaimia, kun käytät laitetta.
	Epäsopivat leikkuuterät	Älä asenna metallisia tai muovisia leikkuuteriä.
	Pidä sivulliset loitolla	Varmista, että muut ihmiset ja lemmikkieläimet ovat vähintään 15 m päässä siimaleikkurista, kun se on käytössä.
	Pidä sivulliset loitolla	Varmista, että muut ihmiset ja lemmikkieläimet ovat vähintään 15 m päässä siimaleikkurista, kun se on käytössä.
	Melu	Äänenpaineen taso
	Kotelointiluokka	Suojaus vesiroiskeilta
V	Voltti	Jännite
mm	Millimetri	Pituus tai koko
cm	Senttimetri	Pituus tai koko
	Tasavirta	Virran tyyppi tai ominaisuus
n <sub>0</sub>	Tyhjäkäyntinopeus	Pyörimisnopeus ilman kuormaa
min <sup>-1</sup>	Per minuutti	Kierrosta minuutissa

## TÄRKEITÄ TURVALLISUUSOHJEITA

**VAROITUS!** Kun käytät sähköleikkureita, noudata aina tavallisia turvallisuusohjeita. Niiden noudattaminen vähentää tulipalon, sähköiskun ja henkilövamman riskiä. Ohjeet:

## LUE KAIKKI OHJEET

**VAARA!** Älä luota työkalun sähköiskueristykseen. Älä käytä työkalua mahdollisesti sähköä johtavien johtojen tai kaapeleiden lähellä sähkötapaturmien välttämiseksi.

**HUOMAUTUS:** Pidä käytön aikana asianmukaista kuulosuojainta. Tietyissä käyttöolosuhteissa ja käytön kestäessä tietyin aikaa tuotteen melu voi aiheuttaa kuulovaurioita.

## ENNEN KÄYTTÖÄ

- Lue ohjeet huolellisesti. Perehdy hallintalaitteisiin ja koneen asianmukaiseen käyttöön.
- Älä anna näihin ohjeisiin perehtymättömien henkilöiden tai lasten koskaan käyttää konetta. Paikalliset säännöt voivat rajoittaa käyttäjän ikää.
- Muista, että laitteen käyttäjä on vastuussa muille henkilöille tai heidän omaisuudelleen sattuvista tapaturmista tai aiheutuvista vaaroista.

## KÄYTÖN VALMISTELU

- Älä koskaan käytä konetta muiden henkilöiden ja erityisesti lasten tai lemmikkieläinten lähellä.
- Pidä suojalaseja ja tukevia kenkiä aina, kun käytät konetta.
- Laitteen ja sivullisten välillä tulisi olla vähintään 15 m väliä.
- Älä käytä metalliteriä

## KÄYTTÖ

- Käytä konetta vain päivänvalossa tai hyvässä keinovalossa.
- Älä koskaan käytä konetta suojusten tai suojakilpien ollessa vaurioituneita tai ilman, että suojukset tai suojakilvet ovat paikallaan.
- Käynnistä moottori vain, kun kädet ja jalat ovat kaukana leikkuuvälineistä.
- Kytke kone aina irti virransyötöstä (eli irrota pistoke verkkovirrasta tai irrota akku).
  - kun jätät koneen valvomatta
  - ennen tukoksen poistamista;

- ennen kuin tarkastat, puhdistat tai huollat konetta
- kun osut vieraaseen esineeseen;
- kun kone alkaa täristä normaalista poikkeavalla tavalla.
- Varo, että et vahingoita jalkoja ja käsiä leikkuuvälineillä.
- Varmista aina, että tuuletusaukkoihin ei kerry leikkuujätettä.

## HUOLTO JA VARASTOINTI

- Kytke kone irti virransyötöstä (eli irrota pistoke verkkovirrasta tai irrota akku) ennen huolto- tai puhdistustoimenpiteitä.
- Käytä vain valmistajan suosittelemia varaosia ja lisävarusteita.
- Tarkasta ja huolla kone säännöllisin väliajoin. Korjauta kone vain valtuutetulla korjaajalla.
- Kun konetta ei käytetä, varastoi se lasten ulottumattomiin.

## MUITA TURVALLISUUSVAROITUKSIA

- Vältä vaarallisia ympäristöjä - Älä käytä leikkureita kosteissa tai märissä paikoissa.
- Sammuta aina trimmeri tai irrota akkuyksikkö, kun jätät trimmerin valvomatta.
- Älä käytä sateessa.
- Pidä lapset loitolla - Kaikki ulkopuoliset tulee pitää riittävällä etäisyydellä työalueesta.
- Pukeudu asianmukaisesti - Älä käytä löysiä vaatteita tai koruja. Ne voivat tarttua liikkuviin osiin. Suosittelemme kumikäsineiden ja tukevien jalkineiden käyttöä ulkona työskennellessäsi. Laita pitkät hiukset kiinni.
- Käytä suojalaseja – käytä aina suojalaseja konetta käyttäessäsi.
- Käytä oikeaa työkalua - Käytä työkalua ainoastaan sen käyttötarkoitusta vastaavaan työhön.
- Älä ylikuormita trimmeriä - Se tekee työn paremmin ja turvallisemmin sillä nopeudella, jolle se on suunniteltu.
- Älä kurkottele - Säilytä aina tukeva asento ja hyvä tasapaino
- Pysy valppaana - Keskity siihen, mitä teet. Käytä tervettä järkeä. Älä käytä trimmeriä väsyneenä.
- Älä käytä trimmeriä alkoholin tai huumausainesten vaikutuksen alaisena.
- Pidä suojukset paikoillaan ja käyttökunnossa.
- Varastoi trimmeriä sisätiloihin - Kun trimmeriä ei käytetä, se tulee varastoida sisätiloihin kuivaan ja korkeaan tai lukittuun paikkaan akkuyksikkö irrotettuna - lasten ulottumattomiin.



- Huolla trimmeri huolellisesti - Pidä trimmeri puhtaana parhaan suorituskyvyn aikaansaamiseksi ja loukkaantumisriskin pienentämiseksi. Noudata lisävarusteiden vaihtamiseen liittyviä ohjeita. Pidä kahvat kuivina, puhtaina, öljyttöminä ja rasvattomina.
- Tarkasta vaurioituneet osat - Suojus tai muu vaurioitunut osa tulee tarkastaa huolellisesti ennen trimmerin käytön jatkamista, jotta sen voidaan määrittää toimivan asianmukaisella tavalla ja suorittavan sille tarkoitetun toiminnan. Tarkasta, onko liikkuvat osat kohdistettu oikein, esiintyykö niissä taketelua ja näkyvykö osissa vaurioita, onko ne asennettu oikein ja näkyvykö niissä muita tekijöitä, jotka voivat vaikuttaa sen toimintaan. Valtuutetun huoltopisteen tulee korjata tai vaihtaa suojus tai muu vaurioitunut osa, jollei muualla tässä käsikirjassa muuta ole mainittu.
- Tyhjennä leikattava alue ennen jokaista käyttöä. Poista kaikki esineet, kuten kivet, rikkoutunut lasi, naulat, vajieri tai siima, jotka voivat sinkoutua trimmeristä tai sotkeutua siihen. Varmista, että muut henkilöitä ja lemmikkieläimet ovat vähintään 15 m:n päässä.
- Tarkasta ennen koneen käyttöä ja siihen kohdistuneen iskun jälkeen koneen osat kulumisen ja vaurioiden varalta ja korjaa tarvittaessa.
- Kun käytät trimmeriä, pidä sitä aina tukevalla otteella molemmat kädet kahvoilla. Kiedo sormet ja peukalat kahvojen ympärille.
- Vältä koneen tahatonta käynnistämistä - Älä kannata trimmeriä sormi liipaisimella.
- Älä käytä trimmeriä bensiiniä sisältävissä tai räjähdysvaarallisissa ympäristöissä. Näiden laitteiden moottorit synnyttävät yleensä kipinöitä ja kipinät voivat sytyttää höyryt palamaan.
- Trimmerin vaurioituminen - Jos osat vieraaseen esineeseen trimmerillä tai trimmeri sotkeutuu, pysäytä työkalu välittömästi, irrota akkuyksikkö trimmeristä, tarkasta vaurioiden varalta ja korjautta vauriot ennen kuin yrität jatkaa trimmerin käyttöä. Älä käytä, jos suojus tai kela on rikkoutunut.
- Jos laite alkaa täristä poikkeavasti, pysäytä moottori, irrota akkuyksikkö trimmeristä ja tarkasta välittömästi syy. Täristä on yleensä merkki häiriöistä. Löysä siimapää voi täristä, halkeilla, särkyä tai irrota trimmeristä, mistä voi seurata vakava tai hengenvaarallinen vahinko. Varmista, että siimapää on kiinnitetty paikalleen asianmukaisesti. Jos pää löystyy paikalleen kiinnittämisen jälkeen, vaihda se välittömästi. Älä koskaan käytä trimmeriä siimapään ollessa löysällä.
- Vaihda halkeillut, vaurioitunut tai loppuun kulunut siimapää välittömästi, vaikka vaurio olisikin vain pintahalkeama. Lisäosat voivat särkyä suurella nopeudessa ja aiheuttaa vakavan tai hengenvaarallisen vahingon.
- Tarkasta siimapää säännöllisin välein käytön aikana tai välittömästi, jos leikkuukäyttätymisessä ilmenee huomattava muutos.
- Käytä vain näiden työkalujen kanssa käytettäväksi suunniteltuja valtuutettuja EGO™-polymeerileikkuusiiman lisävarusteita ja leikkuusiimaa. Vaikka tiettyjä valtuuttamattomia lisäosia voidaan kiinnittää EGO™-trimmeriin, niiden käyttö voi olla erittäin vaarallista ja/tai se voi vaurioittaa työkaluja.
- Henkilövahinkoriskin pienentämiseksi älä koskaan käytä vajeria tai metallivahvisteista siimaa tai muuta materiaalia nylonvalmistesteisten leikkuusiimojen sijasta. Vajerin palat voivat katketa ja sinkoutua kovalla vauhdilla kohti käyttäjää tai sivullisia.
- Hallinnan menettämisestä johtuvan loukkaantumisriskin pienentämiseksi älä koskaan käytä konetta tikapuilla tai muun epävakaan tuen päällä. Älä koskaan pidä siimapäätä vyötärön korkeuden yläpuolella.
- Jos esiintyy tilanteita, joita ei käsitellä tässä käsikirjassa, ole varovainen ja käytä hyvää harkintaa. Ota yhteyttä EGO-huoltopisteeseen avun saamiseksi.
- Älä lataa akkuyksikköä sateessa tai määrässä tilassa.
- Käytä vain EGO-akkujen ja -latureiden kanssa.

FI

AKKU	LATURI
BA1120E, BA1400, BA2240E BA2800, BA3360, BA4200, BA1400T, BA2800T, BA4200T	CH2100E, CH5500E

- Akkuyksikkö täytyy irrottaa laitteesta ennen laitteen romuttamista.
- Akku on hävitettävä turvallisesti.
- Älä hävitä akkua polttamalla. Kennot saattavat räjähtää. Tarkasta paikallisten viranomaisten hävittämistä koskevat erikoisohjeet.
- Älä avaa tai turmele akkua. Vuotava akkuhappo on syövyttävää ja voi aiheuttaa silmä- tai ihovaurioita. Happo voi olla myrkyllistä nieltynä.
- Käsittele akkua varoen, jotta et aiheuta akkuun oikosulkuja sähköä johtavilla materiaaleilla, kuten sormuksilla, rannekoruilla ja avaimilla. Akku tai johdin voi ylikuumentaa ja aiheuttaa palovammoja.
- Käytä huollon yhteydessä vain valmistajan hyväksymiä varaosia. Kaikkien muiden lisävarusteiden tai lisäosien käyttö voi lisätä loukkaantumisriskiä.

- Akkuyökaluja ei tarvitse kytkeä sähköverkkoon; ne ovat siksi aina käyttökunnossa. Huomioi mahdolliset vaarat myös silloin, kun työkalua ei käytetä. Ole varovainen, kun suoritat kunnossapitoa tai huoltoa.
- Älä pese letkulla; estä veden pääsy moottoriin ja sähköliitäntöihin.
- Säilytä nämä ohjeet. Lue niitä usein ja anna ne myös luettavaksi muille henkilöille, jotka mahdollisesti käyttävät työkalua. Jos lainaat työkalua toiselle henkilölle, anna mukaan myös nämä ohjeet, jotta voit estää tuotteen väärinkäytön ja mahdollisen vahingon.
- Pidä aina tukevia jalkineita ja pitkiä housuja, kun käytät konetta.
- Varmista aina kunnan asento kaltevilla pinnoilla ja muista aina kävellä, älä koskaan juokse.

## SÄILYÄ NÄMÄ OHJEET!

FI

## MÄÄRITYKSET

Jännite	56 V	
Tyhjäkäyntinopeus	5000/6000 min <sup>-1</sup>	
Leikkausmekanismi	Kupupää	
Leikkaussiiman tyyppi	2,4mm:n kierresiima nailonista	
Leikkausleveys	38 cm	
Paino (ilman akkua)	4.21Kg	
Mitattu äänen tehotaso L <sub>WA</sub>	94,3 dB(A) K=1,37 dB(A)	
Äänenpaineen taso käyttäjän korvien tasolla L <sub>PA</sub>	82,6 K= 3 dB(A)	
Taattu äänen tehotaso L <sub>WA</sub> (mitattu 2000/14/EY mukaisesti)	96 dB(A)	
Tärinä a <sub>h</sub>	Takakahva	3,97 m/s <sup>2</sup> K=1,5 m/s <sup>2</sup>
	Edessä oleva apukahva	2,78 m/s <sup>2</sup> K=1,5 m/s <sup>2</sup>

## PAKKAUSLUETTELO

OSAN NIMI	MÄÄRÄ
Siimaleikkuri	1
Suoja	1
Edessä oleva apukahvakokonaisuus	1

Kuusiokoloavain	1
Monitoimiavain	1
Olkahihna	1
Käyttöopas	1

## KUVAUS

### TUNNE SIIMALEIKKURISI (kuva A)

1. Rajoitusrengas
2. Liipaisin
3. Takakahva
4. Ilmanotto
5. Lukituksen vapautuspainike
6. Korkean/alhaisen nopeuden kytkin
7. Olkahihnan kiinnitysrivistin
8. Säädettävä etuapukahva
9. Olkahihna
10. Monitoimiavain
11. Kuusiokoloavain
12. Leikkuupää (kupupää)
13. Leikkaussiima
14. Vapautusuloke
15. Siimaleikkurin terä
16. Suoja
17. Poistomekanismi
18. Sähköliitäntä
19. Salpa
20. Kumityynyosuus
21. Akun vapautuspainike

## KOKOONPANO

**VAROITUS:** Jos jokin osa on vahingoittunut tai puuttuu, älä käytä tuotetta ennen kuin osat on vaihdettu. Tuotteen käyttö violtuneilla tai puuttuvilla osilla voi aiheuttaa vakavan henkilövahingon.

**VAROITUS:** Älä yritä muuttaa tätä tuotetta tai käyttää siinä lisävarusteita, joita ei ole suunniteltu käytettäväksi tämän siimaleikkurin kanssa. Kaikenlainen muuttaminen tai muuntelu on väärinkäyttöä, ja voi aiheuttaa vaaratilanteen, joka voi johtaa vakaviin henkilövahinkoihin.

**VAROITUS:** Poista akku työkalusta aina, kun kokoat osia. Näin varmistat, ettei laite käynnisty vahingossa eikä aiheuta vakavia henkilövahinkoja.

## SUOJAN KIINNITTÄMINEN

**VAROITUS:** Käytä aina käsineitä, kun kiinnität tai vaihdat suojaa. Huolehdi, että suojan terä ei leikkaa käsiäsi.

**VAROITUS:** Älä koskaan käytä työkalua ilman, että suoja on kunnolla paikallaan. Suojan on aina oltava työkalussa käyttäjän suojaamiseksi! Kun suoja on kiinteä, älä ikinä poista tai säädä sitä. Jos suojan vaihtaminen on tarpeen, vain asiantunteva huoltoteknikko saa vaihtaa sen!

1. Löysää ja poista kaksi ruuvia suojusta (kuva B).
2. Linjaa suojan kiinnitysaukot asennusaukkojen kanssa ja lukitse suoja sitten varren tyveen kahdella ruuvilla ja jousialuslevyillä (kuva C).

**HUOMAUTUS:** Varmista, että suoja on paikallaan kuvien B ja C mukaisesti, käänteinen kiinnitys aiheuttaa suuren vaaran!

## ETUAPUKAHVAN KIINNITYS JA SÄÄTÄMINEN

1. Löysää etuapukahvan lukitusvarsi ja poista lukitusvarsi ja siipimutteri etuapukahvasta (kuva D).

Kuvan D tiedot alla:

D-1	Lukitusvarsi	D-3	Puristuskappale
D-2	Etuapukahva	D-4	Siipimutteri

2. Paina etuapukahva varteen (kuva E).
3. Aseta puristuskappale kahvan koloon (kuva F).
4. Asenna lukitusvarsi ja esikiristä se siipimutterilla. Varmista, että etuapukahva on ylöspäin ja osoittaa kohti takakahvan yläosaa (kuva G).
5. Säädä etuapukahva rajoitusrenkaan ja merkintätarran väliin. Varmista, että käsivartesi on suorana käytön aikana (kuva H).
6. Lukitse lukitusvarren vipu. (Kuva I).

**HUOMAUTUS:** Etuapukahvan tulee osoittaa ylös takakahvan yläosaa kohti.

**VAROITUS:** Kiinnitä etuapukahva rajoitusrenkaan ja merkintätarran väliin varressa.

**VAROITUS:** Työkalua ei voi käyttää ilman, että etuapukahva on kiinnitetty turvallisesti.

## OLKAAHIHMAN KIINNITYS

Avaa hihnan koukku painamalla ja kiinnitä se olkahihnan kiinnitysripustimeen (kuva J).

## KÄYTTÖ

**VAROITUS:** Älä anna tämän laitteen tuttuuden tehdä sen käsittelystä huolimattonta. Muista, että sekunnin sadasosanakin huolimattomuus riittää vakavan vamman aiheutumiseen.

**VAROITUS:** Käytä aina tavanomaisia tai sivusuojilla varustettuja suojalaseja sekä kuulosuojaimia. Tämän ohjeen laiminlyöminen saattaa aiheuttaa esineiden sinkoutumisen silmiin ja mahdollisen vakavan henkilövahingon.

**VAROITUS:** Älä käytä lisälaitteita tai lisävarusteita, jos tämän tuotteen valmistaja ei ole suositellut niitä. Tällaisten lisävarusteiden tai apuvälineiden käyttö saattaa aiheuttaa vakavia henkilövahinkoja.

**VAROITUS:** Vakavan henkilövamman välttämiseksi poista akku työkalusta ennen kuin huollat tai puhdistat sitä tai vaihdat siihen varusteita tai poistat materiaalia laitteesta.

Tätä laitetta voi käyttää seuraavassa kerrotuihin tarkoituksiin:

**Trimmaaminen:** käytetään ruohon ja rikkaruohojen poistamiseen seinien, aitojen, puiden ja rajojen lähellä.

**Leikkaaminen:** käytetään sellaisen ruohon leikkaamiseen, johon on vaikea päästä käsiksi perinteisellä ruohonleikkurilla.

**HUOMAUTUS:** Työkalua tulee käyttää vain sillä määritettyyn tarkoitukseen. Muunlainen käyttö, esimerkiksi pensaiden leikkuu, katsotaan väärinkäytöksi.

## AKUN LIITTÄMINEN/POISTAMINEN

### Lataa täyteen ennen ensimmäistä käyttökertaa

#### Liittäminen

Aseta akun ulokkeet kiinnitysaukoihin ja paina akkua alaspäin, kunnes kuulet naksahduksen (kuva K).

#### Poistaminen

Paina akun vapautuspainiketta ja vedä akku ulos kuvan L osoittamalla tavalla.

Kuvan L osien kuvaus alla:

L-1	Akun vapautuspainike
-----	----------------------

## OTE SIIMALEIKKURISTA

**VAROITUS:** Pukeudu asianmukaisesti, niin pienennät loukkaantumisaaraa tätä laitetta käyttäessäsi. Älä käytä väljiä vaatteita tai koruja. Käytä suojalaseja ja korvatulppia/kuulosuojaimia. Käytä paksuja, pitkälahkeisia housuja, saappaita ja suojakäsineitä. Älä käytä lyhytlahkeisia housuja, sandaaleita tai ole paljain jaloin.

Ennen käyttöä seiso käyttöasennossa ja tarkista silmien suojaus, oikeaoppinen vaateetus, tasapainoinen asento ja suora, edessä olevaa apukahvaa pitävä käsi.

**HUOMAUTUS:** Leikkuupää on suorassa linjassa maan kanssa sopivalla leikkuuetaisyysvedellä ilman käyttäjän kumartumista (kuva N).

Käytön turvallisuuden ja sujuvuuden takia laita olkahihna olan yli, kuten kuvassa N. Säädä olkahihna miellyttävään käyttöasentoon. Pidä siimaleikkurista kiinni molemmiin käsiin: Toinen kätesi on takakahvalla ja toinen edessä olevalla suoralla apukahvalla.

Hihnan voi vapauttaa kahdella tavalla. Ota se suoraan pois olaltasi (kuva O) tai paina hihnan koukkuja ja irrota se varteen kiinnitetystä olkahihnan kiinnitysrivistä (kuva P).

**VAROITUS:** Olkahihnassa on myös nopea vapautusmekanismi vaaratilanteita varten. Kun on hätätilanne, ota hihna olaltasi välittömästi riippumatta hihnan asennosta.

## SIIMALEIKKURIN KÄYNNISTÄMINEN/ SAMMUTTAMINEN (kuva M)

### Käynnistäminen

Paina lukituksen vapautusvipu alas ja paina käynnistysliipaisinta. Erilainen paine liipaisimella aiheuttaa leikkusuiman pyörimisnopeuden muuttumisen. Enemmän painetta, enemmän nopeutta.

### Pysäyttämisen

Vapauta liipaisin.

**HUOMAUTUS:** Moottori käy vain silloin, kun sekä lukituksen vapautuspainiketta että liipaisinta painetaan.

**VAROITUS:** Poista akku siimaleikkurista aina, kun pidät työstä taukoa ja kun lopetat leikkurin käytön.

## Nopeuden säätötoiminto (kuva M)

Siimaleikkurissa on kaksi eri nopeutta. Asento "1" on alhainen nopeus, asento "2" on korkea nopeus. Paina tai vedä korkean/alhaisen nopeuden kytkintä käytön aikana sopivimman nopeuden vaihtamiseksi.

Kuvan M osien kuvaus alla:

M-1	Korkean/alhaisen nopeuden kytkin
M-2	Lukituksen vapautuspainike
M-3	Liipaisin

## SIIMALEIKKURIN KÄYTTÖ

**VAROITUS:** Pidä vakavien henkilövahinkojen välttämiseksi suojalaseja tai turvalaseja aina, kun käytät tätä laitetta. Pidä kasvo- tai hengityssuojainta pölyisissä olosuhteissa.

Tyhjennä leikattava alue ennen jokaista käyttöä. Poista kaikki esineet, kuten kivet, rikkoutunut lasi, naulat, vaijeri tai siima, jotka voivat sinkoutua leikkulaitteesta tai soikeutua siihen. Tyhjennä alue lapsista, sivullisista ja lemmikkieläimistä. Pidä lapset, sivulliset ja lemmikkieläimet vähintään 15 m:n päässä. Sinkoutuvat esineet voivat silti vielä aiheuttaa vaaraa sivullisille. Sivullisia tulee kannustaa pitämään suojalaseja. Jos joku lähestyy sinua, sammuta moottori ja leikkulaite välittömästi.

## Tarkasta trimmeri ennen jokaista käyttöä vaurioituneiden/kuluneiden osien varalta

Tarkasta siimapää, suojuus ja tukikahva ja vaihda halkeilleet, vääntyneet, taipuneet tai jollakin tavalla vaurioituneet osat.

Suojuksen reunassa oleva siiman rajoitusterä voi tylsyä ajan myötä. Suosittelemme, että teroitat sen määräajoin viilalla tai vaihdat sen uuteen terään.

**VAROITUS:** Käytä aina suojakäsineitä, kun asennat suojaa tai huollat terää. Huolehdi, että suojan terä ei leikkaa käsiäsi.

## Puhdista leikkuri jokaisen käyttökerran jälkeen.

**HUOMIO:** Tukokset ilma-aukoissa estävät ilman virtaamisen moottorikehikkoon ja voivat aiheuttavat ylikuumenemistä tai moottorin vahingoittumisen.

- Käytä työkalun puhdistuksessa vain mietoja pesuainetta ja kosteaa liinaa. Älä ikinä päästä vettä työkalun sisälle; älä koskaan upota mitään työkalun osaa nesteeseen.
- Pidä moottorikehikon ilma-aukot aina puhtaana irtoaineksesta.

**VAROITUS:** Älä koskaan käytä vettä leikkurin puhdistamiseen. Vältä liuotinaiden käyttöä, kun puhdistat muoviosia. Suurin osa muoveista on alttiita vahingoittumaan markkinoilla olevista liuottimista. Poista lika, pöly, öljy, rasva jne. puhtaalla liinalla.

### LEIKKAUSSIIMAN PITUUDEN SÄÄTÄMINEN

Käyttäjä voi siimapään avulla vapauttaa lisää leikkuusiimaa moottoria sammuuttamatta. Kun siima hankautuu tai kuluu, siimaa voidaan vapauttaa lisää kopauttamalla leikkurin päätä kevyesti maahan leikkurin käytön aikana (kuva Q).

**HUOMAUTUS:** Siiman vapautus vaikeutuu, kun leikkaussiima lyhenee.

**VAROITUS:** Älä poista tai muuta siimanleikkauskokoonpanoa. Ylimääräinen siiman pituus aiheuttaa moottorin ylikuumentumisen ja voi aiheuttaa vakavan henkilövahingon.

### SIIMAN VAIHTAMINEN

**HUOMAUTUS:** Käytä aina suosittelua nailonleikkuusiimaa, jonka halkaisija on korkeintaan 2,4 mm. Muunlaisen siiman käyttäminen saattaa aiheuttaa siimaleikkurin kuumentumisen tai vaurioitumisen.

**VAROITUS:** Älä käytä koskaan metallilla vahvistettua siimaa, rautalankaa, narua yms. Ne saattavat katketa ja muuttua vaarallisiksi ammuksiksi.

- Poista akku.
- Poista jäljellä oleva siima, mikäli tarpeen.
- Leikkaa leikkuusiimasta 4 m pitkä kappale. Työnnä siima pujotusreiän sisäpuolella olevaan asennusreikään (kuva R). Työnnä ja vedä siimaa toiselta puolelta, kunnes kummallakin puolella kelaa on yhtä paljon siimaa.
- Paina ja pyöritä samalla alemmaa suojusta nuolen suuntaan saadaksesi siiman kelalle, kunnes kummallakin puolella on näkyvissä noin 14 cm siimaa (kuva S).
- Paina alemmaa suojusta ja vedä samalla siimoja käsin siiman liikuttamiseksi eteenpäin. Tarkista leikkuupään oikea kokoonpano.

Kun leikkuusiima katkeaa siiman ulostulosta tai leikkuusiimaa ei vapaudu leikkuupäätä napautettaessa, noudata seuraavia ohjeita:

- Paina ylemmän suojuksen vapautusulokkeita ja poista alempi suojuks vetämällä sitä suoraan ulospäin (kuvat T ja U).
- Irrota leikkuusiima kelasta.
- Pidä toisella kädellä alemmasta suojuksesta, tartu toisella kädellä alempaan suojukseen ja kohdista ylemmän suojuksen ulokkeet alemman suojuksen reikiin (kuva V). Käytä kämmentä ja paina alemmaa suojusta, kunnes ulokkeet lukittuvat ylempään suojukseen.
- Noudata leikkuusiiman uudelleen lataamisessa kohdan "SIIMAN VAIHTAMINEN" ohjeita.

### HUOLTO

**VAROITUS:** Käytä huollon yhteydessä vain valmistajan hyväksymiä varaosia. Muiden osien käyttö voi aiheuttaa vaaran tai vahingoittaa tuotetta. Tarkasta ja huolla kone säännöllisin väliajoin. Valtuutetun huoltoteknikon tulee suorittaa kaikki korjaukset, jotta voidaan taata tuotteen turvallinen ja luotettava käyttö.

**VAROITUS:** Akkutyökaluja ei tarvitse kytkeä sähköverkkoon; ne ovat siksi aina käyttökunnossa. Estä vakava henkilövahinko olemalla erityisen varovainen, kun suoritat kunnossapitoa, huoltoa tai kun vaihdat leikkuulaitetta tai muita lisäosia.

**VAROITUS:** Irrota vakavien henkilövahinkojen estämiseksi akkuyksikkö työkalusta ennen lisäosien huoltoa, puhdistusta ja vaihtoa tai materiaalin poistamista laitteesta.

### LAITTEEN PUHDISTUS

- Puhdista laite kostealla liinalla ja miedolla puhdistusaineella
- Älä käytä voimakkaita puhdistusaineita muovikoteloon tai kahvaan. Tietty hyväntuoksuiset öljyt (esim. mänty ja sitruuna) ja paloöljyn kaltaiset liuottimet voivat vaurioittaa niitä. Kosteus voi myös aiheuttaa sähköiskun vaaran. Pyyhi kosteus pois pehmeällä ja kuivalla liinalla.
- Käytä pientä harjaa tai pienen imuriharjan ilmvirtaa, kun puhdistat ilma-aukot kehikon takaosassa.

### VAIHDEPYÖRÄN VOITELU

Vaihdekotelossa oleva vaihdepyörä tulee voidella säännöllisesti vaihderasvalla. Tarkasta vaihdekotelon rasvan taso noin 50 käyttötunnin välein poistamalla kotelon sivussa oleva tiivistysruuvi.

Jos vaihteen sivuilla ei näy rasvaa, lisää vaihderasvaa enintään 3/4 kapasiteetista seuraavien ohjeiden mukaisesti. Älä täytä vaihdepyörää kokonaan rasvalla.

1. Pidä siimaleikkuria kyljellään siten, että tiivistysruuvi on ylöspäin (kuva Y).
2. Löysää tiivistysruuvia mukana toimitetulla monitoimiavaimella ja poista ruuvi.
3. Käytä rasvaruiskua (ei mukana) ja ruiskuta jonkin verran rasvaa ruuvien reikään; älä ylitä 3/4 kapasiteetista.
4. Kiristä tiivistysruuvi ruiskutuksen jälkeen.

## LAITTEEN VARASTOINTI

- Poista akku siimaleikkurista aina, kun se ei ole käytössä.
- Puhdista työkalu perusteellisesti ennen varastoon laittamista.
- Säilytä laite kuivassa, hyvin ilmastoidussa, lukitussa paikassa tai korkealla, poissa lasten ulottuvilta. Älä säilytä yksikköä lannoitteiden, bensiinin tai muiden kemikaalien vieressä tai päällä.

## Ympäristönsuojelu



Älä hävitä sähkölaitteita, akun latauslaitteita ja akkuja/ladattavia akkuja kotitalousjätteen mukana!

Euroopan parlamentin ja neuvoston direktiivin 2012/19/EU mukaan sähkö- ja elektroniikkalaitteet, jotka eivät ole enää käyttökelpoisia, ja Euroopan parlamentin ja neuvoston direktiivin 2006/66/EY mukaan viialliset tai käytetyt akkuyksiköt/ akut täytyy kerätä erikseen.

Jos sähkölaitteet hävitetään viemällä kaatopaikoille tai roskaläjiin, vaarallisia aineita voi vuotaa pohjaveteen ja päästä ravintoketjuun ja vahingoittaa täten ihmisten terveyttä ja hyvinvointia.

## VIANMÄÄRITYS

ONGELMA	SYY	RATKAISU
Siimaleikkuri ei käynnisty.	<ul style="list-style-type: none"> <li>■ Akkua ei ole liitetty leikkuriin.</li> <li>■ Leikkurin ja akun välillä ei ole elektronista yhteyttä.</li> <li>■ Akku on tyhjä.</li> <li>■ Lukituksen vapautuspainiketta ja liipaisinta ei paineta samanaikaisesti.</li> </ul>	<ul style="list-style-type: none"> <li>■ Lisää akku leikkuriin.</li> <li>■ Poista akku, tarkista kosketuskohdat ja asenna akku uudelleen paikalleen.</li> <li>■ Lataa akku.</li> <li>■ Paina lukituksen vapautuspainike alas ja pidä sitä pohjassa samalla, kun painat liipaisinta niin siimaleikkuri käynnistyy.</li> </ul>
Siimaleikkuri pysähtyy kesken leikkauksen.	<ul style="list-style-type: none"> <li>■ Suojaa ei ole kiinnitetty leikkuriin, joka aiheuttaa liian pitkän leikkaussiiman ja moottorin ylikuormittumisen.</li> <li>■ Leikkuusiima on liian paksu.</li> <li>■ Moottorin varsi tai leikkurin pää on täynnä ruohoa.</li> <li>■ Moottori on ylikuormittunut.</li> <li>■ Akku tai siimaleikkuri on liian kuuma.</li> <li>■ Akku on irronnut työkalusta.</li> <li>■ Akku on tyhjä.</li> </ul>	<ul style="list-style-type: none"> <li>■ Poista akku ja kiinnitä suoja leikkuriin.</li> <li>■ Käytä aina suositeltua nailonleikkuusiimaa, jonka halkaisija on korkeintaan 2,4 mm.</li> <li>■ Pysäytä leikkuri, poista akku ja poista ruoho moottorin varresta ja leikkurin päästä.</li> <li>■ Irrota trimmerin pää ruohosta. Moottori palautuu toimintaan, kun kuormitus poistetaan. Kun leikkaat, liikuta trimmerin päätä edestakaisin leikattavassa ruohossa ja leikkaa korkeintaan 20 cm yhdellä kerralla.</li> <li>■ Jäähdytä akkua tai leikkuria, kunnes sen lämpötila on alle 67 °C.</li> <li>■ Asenna akku takaisin paikalleen.</li> <li>■ Lataa akku.</li> </ul>
Leikkurin pää ei anna lisää siimaa.	<ul style="list-style-type: none"> <li>■ Moottorin varsi tai leikkurin pää on täynnä ruohoa.</li> <li>■ Kelassa ei ole riittävästi siimaa.</li> <li>■ Leikkurin pää on likainen.</li> <li>■ Siima on solmussa kelassa.</li> <li>■ Siima on liian lyhyt.</li> </ul>	<ul style="list-style-type: none"> <li>■ Pysäytä leikkuri, poista akku ja puhdista moottorin akseli ja leikkuupää.</li> <li>■ Poista akku ja vaihda leikkuusiima; noudata tämän käyttöoppaan SIIMAN VAIHTAMINEN -osion ohjeita.</li> <li>■ Poista akku ja puhdista leikkuupää.</li> <li>■ Poista akku, poista siima kelapäästä ja kela se uudelleen; noudata tämän käyttöoppaan kohdan "LEIKKUUSIIMAN UUDELLEEN LATAAMINEN" ohjeita.</li> <li>■ Poista akku ja vedä siimoja käsin samalla, kun vuorotellen painat ja vapautat trimmeripään.</li> </ul>

ONGELMA	SYY	RATKAISU
Ruoho kietoutuu leikkurin päähän ja moottorin kehikkoon.	<ul style="list-style-type: none"><li>■ Pitkän ruohikon leikkaaminen maan tasolle.</li></ul>	<ul style="list-style-type: none"><li>■ Leikkaa pitkä ruohikko ylhäältä alas niin, että leikkaat kerralla korkeintaan 20 cm ruohon pituudesta, jotta estät ruohon kiertymisen.</li></ul>
Leikkuupää on vaurioitunut tai alempi suojuus on irronnut ylemmästä suojuksesta.	<ul style="list-style-type: none"><li>■ Leikkuupää on kulunut.</li></ul>	<ul style="list-style-type: none"><li>■ Vaihdata leikkuupää välittömästi ammattitaitoisella huoltoasentajalla.</li></ul>

## TAKUU

### EGON TAKUUEHDOT

Verkkosivustolta [egopowerplus.com](http://egopowerplus.com) löydät EGO:n takuuehtojen käyttöehdot kokonaisuudessaan.



## LES ALLE INSTRUKSJONER!



### LES BRUKERMANUALEN

**⚠ Restrisiko!** Personer med elektroniske enheter, for eksempel pacemakere, må rådføre seg med lege før de bruker dette produktet. Drift av elektrisk utstyr i umiddelbar nærhet av en pacemaker kan føre til at pacemakeren forstyrres eller svikter.

**⚠ ADVARSEL:** For sikre både sikkerheten og påliteligheten, skal alle reparasjoner utføres av en kvalifisert servicetekniker.

## SIKKERHETSSYMBOLER

Formålet med sikkerhetssymbolene er å trekke oppmerksomheten din mot mulige faresituasjoner. Sikkerhetssymbolene og forklaringene krever din fulle oppmerksomhet og forståelse. Symbolvarslene eliminerer ikke farer på egen hånd. Instruksjonene og advarslene som finnes i dem er ikke erstatninger for passende ulykkesforebyggende tiltak.

**⚠ ADVARSEL:** Sørg for å lese og forstå alle sikkerhetsanvisningene i denne bruksanvisningen, inkludert alle sikkerhetsvarselssymboler så som «FARE», «ADVARSEL» og «FORSIKTIG» før du bruker dette verktøyet. Hvis du ikke følger alle instruksjonene nedenfor, kan det føre til elektriske støt, brann og/eller alvorlig personskade.

## SYMBOLFORKLARINGER

**SIKKERHETSSYMBOL:** Indikerer FARE, ADVARSEL eller FORSIKTIG. Kan brukes sammen med andre symboler eller piktogrammer.



**⚠ ADVARSEL:** Bruk av hvilke som helst elektroverktøy kan føre til at fremmedlegemer blir kastet mot øynene, og dette kan føre til alvorlig øyeskader. Før du begynner å bruke elektroverktøyet, skal du alltid bruke vernebriller eller vernebriller med sidebeskyttelse, og en full ansiktsskjerm der det trengs. Vi anbefaler en Wide Vision Safety Mask til bruk over briller, eller standard vernebriller med sidebeskyttelse.

## SIKKERHETSINSTRUKSJONER

Denne siden viser og beskriver sikkerhetssymboler som finnes på produktet. Les, forstå og følg alle instruksjoner på maskinen før begynner montering og bruk.

	Sikkerhetsvarsel	Angir potensiell fare for personskade.
	Les brukermanualen.	For at risikoen for personskader skal unngås, må brukeren lese og
	Bruk vernebriller	forstå håndboken før produktet tas i bruk.
	Bruk hørselvern	Bruk alltid hørselvern når du bruker dette produktet.
	Ingen knivblad	Bruk alltid hørselvern når du bruker dette produktet.
	Hold tilskuere borte.	Ikke installer knivblader av metall eller plast
	Hold tilskuere borte.	Sørg for at andre mennesker og kjæledyr er minst 15 m unna kantklipperen når den er i bruk.
	Støy	Lydtrykknivå
	Ingress Protection Degree	Beskyttelse mot vannsprut
V	Volt	Spenning
mm	Millimeter	Lengde eller størrelse
cm	Centimeter	Lengde eller størrelse
	Likestrøm	Type eller karakteristikk av strømmen
n <sub>0</sub>	Hastighet uten last	Rotasjonshastighet, uten last
min <sup>-1</sup>	Per minutt	Omdreining pr. minutt

NO

## VIKTIGE SIKKERHETSINSTRUKSER

**⚠ ADVARSEL!** Når du bruker elektriske kantklippere, er det alltid viktig å følge grunnleggende sikkerhetsregler for å redusere risiko for brann, elektrisk støt og personskade, blant annet:

## LES ALLE INSTRUKSJONER

**⚠ FARE!** Ikke stol på verktøyets isolasjon mot elektrisk sjokk. For å redusere risikoen for elektrisk støt, må du aldri bruke apparatet i nærheten av ledninger eller kabler som kan være strømførende.

**⚠ FORSIKTIG:** Bruk egnet personlig hørselvern under bruk. Under visse forhold til og brukslengder, kan støy fra dette produktet bidra til hørselstap.

## TRENING

- Les instruksene nøye. Vær fortlølig med betjeningsinstrumentene og riktig bruk av maskinen.
- La aldri folk som ikke er kjent med disse instruksjonene, eller barn, bruke maskinen. Lokale regelverk kan ha krav til aldersgrense for operatøren.
- Husk at operatøren er ansvarlig for skade som skjer andre folk eller gjenstander.

## FORBEREDELSE

- Bruk aldri maskinen mens folk, og spesielt barn eller kjæledyr, er i nærheten.
- Bruk vernebriller og solide sko hele tiden mens du bruker maskinen.
- Avstanden mellom maskinen og tilskuere skal være minst 15 meter.
- Ikke bruk metallblader

## DRIFT

- Maskinen skal bare brukes i dagslys eller med god kunstig belysning.
- Bruk aldri maskinen med skadede skjermmer eller skjold, eller uten skjermmer eller skjold på plass.
- Motoren skal bare slås på når hender og føtter er borte fra kuttedelene.
- Koble alltid maskinen fra strømforsyningen (dvs. ta ut støpselet fra stikkkontakten eller fjern deaktiveringsenheten).
  - når maskinen forlattes uten tilsyn;
  - før fjerning av en blokkering;
  - før du sjekker, rengjør eller arbeider på maskinen.

- etter å ha støtt på et fremmedlegeme.
- når maskinen begynner å vibrere unormalt.
- Pass på at hender og føtter ikke skades av kuttedelene.
- Pass alltid på at ventilasjonsåpningene holdes frie for rusk.

## VEDLIKEHOLD OG LAGRING

- Koble alltid maskinen fra strømforsyningen (dvs. ta ut støpselet fra stikkkontakten eller fjern deaktiveringsenheten) før det utføres vedlikehold eller rengjøring.
- Bruk bare produsentens anbefalte reservedeler og tilbehør.
- Inspiser og vedlikehold maskinen regelmessig. Maskinen skal repareres av et autorisert verksted.
- Når den ikke er i bruk, skal maskinen oppbevares utilgjengelig for barn.

## ANDRE SIKKERHETSADVARSLER

- Unngå farlige omgivelser – ikke bruk trimmere på fuktige eller våte steder.
- Slå alltid av gresstrimmeren eller ta ut batteriet når du forlater trimmeren uten tilsyn.
- Må ikke brukes i regn.
- Hold barn borte – alle tilskuere bør holdes på avstand fra arbeidsområdet.
- Kle deg riktig – Ikke bruk løstsittende klær eller smykker. Disse kan sette seg fast i bevegelige deler. Bruk av gummihandsker og solid fottey anbefales når du arbeider utendørs. Bruk hårnett hvis du har langt hår.
- Bruk vernebriller – Bruk alltid vernebriller når du betjener maskinen.
- Bruk riktig verktøy – ikke bruk verktøyet til noen jobb det ikke er laget for.
- Ikke tving trimmeren – den vil gjøre jobben bedre, og med mindre sannsynlighet for risiko for skade ved frekvensen som den ble laget for.
- Ikke strekk deg for langt – pass på å ha skikkelig fotfeste og balanse til enhver tid.
- Vær på vakt – følg med på det du gjør. Bruk sunn fornuft. Ikke bruk trimmeren når du er trøtt.
- Bruk aldri trimmeren hvis du er påvirket av alkohol eller stoff.
- Hold skjermene på plass, og i orden.
- Oppbevar maskinen innendørs – når den ikke er i bruk skal trimmeren lagres innendørs på et tørt og høyt eller låst sted, med batteriet fjernet og utilgjengelig for barn.

- Vedlikehold trimmeren nøye – hold skjæreutstyret rent for å få best ytelse, og for å redusere risikoen for skader. Følg instruksjonene for bytte av tilbehør. Hold håndtakene tørre, rene og frie for olje og fett.
- Se etter skadede deler – både før og etter bruk, skal skjermmer eller andre skadede deler undersøkes nøye for å fastslå om de vil fungere riktig og oppfylle den tiltenkte funksjonen sin. Sjekk justeringen av bevegelige deler, etter oppbinding av bevegelige deler, deler som er ødelagt, montering og eventuelle andre forhold som kan påvirke driften. Skjermmer eller andre ødelagte deler må repareres forsvarlig eller skiftes ut av et autorisert servicesenter dersom ikke annet er angitt andre steder i denne håndboken.
- Rydd området som skal skjæres før hver bruk. Fjern alle gjenstander så som steiner, knust glass, spiker, ståltråd, eller line som kan kastes eller bli viklet inn i kuttedeler. Pass på at andre personer og dyr er minst 15 m unna.
- Før du bruker maskinen, og etter slag, må du se etter tegn på slitasje eller skade, og reparere hvis det er nødvendig.
- Hold alltid trimmeren fast og med begge hender på håndtakene under drift. Ta tak i håndtakene med fingre og tomler.
- Unngå utilsiktet start – ikke bære trimmeren med fingeren på utløseren.
- Ikke bruk trimmeren i petroliske eller eksplosive atmosfærer. Motorene i disse apparatene vil normalt gnistre, og gnistene kan antenne damper.
- Skade på trimmeren – hvis du treffer på et fremmedlegeme med trimmeren eller den blir viklet inn, skal verktøyet stoppes umiddelbart, batteriet tas ut av gresstrimmeren, og sjekkes for skader. Eventuelle skader skal repareres før man forsøker videre drift. Skal ikke brukes med skadet skjerm eller spole.
- Hvis utstyret begynner å vibrere unormalt, stoppes motoren, batteriet tas ut av gresstrimmeren, og trimmeren sjekkes umiddelbart for å finne årsaken. Vibrasjoner er vanligvis en advarsel om at noe er galt. Et løst hode kan vibrere, sprekke, brette eller løse fra trimmeren, noe som kan resultere i alvorlige eller livstruende skader. Pass på at skjæreutstyret er festet skikkelig i posisjon. Hvis hodet løsner etter at det er satt på plass, må det byttes umiddelbart. Bruk aldri en trimmer som har løst kutteutstyr.
- Bytt sprukket, skadet eller utslitt skjærehodet umiddelbart, selv om skaden er begrenset til overfladiske sprekker. Slikt tilbehør kan knuses ved høye hastigheter, og forårsake alvorlige eller livstruende skader.

- Kontroller kuttedelene med jevne, korte mellomrom under drift, eller umiddelbart hvis det oppstår en merkbart endring i kutteutførelsen.
- Bruk kun EGO™ sitt autoriserte polymer trimmerlinetilbehør og trimmerline som er utviklet for bruk med dette verktøyet. Selv om visse uautoriserte tilbehør kan monteres på EGO™-gresstrimmere, kan bruk av slike være ekstremt farlig og/eller skadelig for verktøyene.
- For å redusere risikoen for alvorlige skader, skal det aldri brukes wire eller metall-forsterket line eller annet materiale i stedet for nylonkuttelinen. Stykker av linen kan brette av og bli kastet i høy hastighet mot brukeren eller tilskuere.
- For å redusere risikoen for skader fra tap av kontroll, skal man aldri bruke den på en stige eller på annen usikker støtte. Hold aldri kutteutstyret over hofte høyde.
- Hvis situasjoner oppstår som ikke er dekket i denne håndboken, må du utvise forsiktighet og god dømmekraft. Kontakt EGOs servicesenter for å få hjelp.
- Ikke lad batteripakken i regn eller på våte steder.
- Skal bare brukes med EGOs batteripakker og ladere.

**NO**

BATTERIPAKKE	LADER
BA1 120E, BA1400, BA2240E BA2800, BA3360, BA4200, BA1400T, BA2800T, BA4200T	CH2100E, CH5500E

- Batteripakken må fjernes fra apparatet før det kasseres.
- Batteriet skal avhendes på en sikker måte.
- Batteriet må ikke kastes i ilden. Cellene kan eksplodere. Forhør deg hos lokale myndigheter om reglene for kassering av spesialavfall.
- Ikke åpne eller skad batteriet. Elektrolytter som avgis er etsende, og kan forårsake skade på øyne og hud. Kan være giftig ved svelging.
- Vær forsiktig når du håndterer batterier, slik at du ikke kortsletter batteriet med ledende materialer så som ringer, armbånd og nøkler. Batteriet eller lederen kan bli overopphetet og forårsake brannskader.
- Ved service skal det bare brukes identiske reservedeler fra EGO™. Bruk av annet utstyr eller tilbehør kan øke risikoen for skader.
- Batteriverktøy trenger ikke å være koblet til et strømuttak; derfor er de alltid klare til bruk. Vær oppmerksom på mulige farer, selv når verktøyet ikke er i drift. Vær forsiktig når du utfører vedlikehold eller service.

- Ikke vask med hageslange; unngå å få vann i motoren og i elektriske kontakter.
- Ta vare på disse instruksjonene. Referer til dem ofte, og bruk dem til å instruere andre som kan komme til å bruke verktøyet. Hvis du låner ut verktøyet til noen andre, må de også få låne disse instruksjonene, for å hindre feilbruk av produktet og mulige skader.
- Under bruk av maskinen skal det alltid brukes solid fottøy og lange bukser.
- Alltid ha sikkert fotfeste i bakker, og gå, aldri løp.

## TA VARE PÅ DISSE INSTRUKSJONENE!

## SPESIFIKASJONER

Spennning	56 V $\overline{\text{---}}$	
Hastighet uten last	5000/6000 min <sup>-1</sup>	
Kuttemekanisme	Trimmerhode	
Kutteline-type	2,4 mm tvunnet nylontråd	
Klippebredde	38 cm	
Vekt (uten batteripakke)	4,21 Kg	
Målt lydeffektnivå L <sub>WA</sub>	94,3 dB(A) K=1,37 dB(A)	
Lydtrykknivå ved brukerens øre L <sub>PA</sub>	82,6 dB(A) K=3 dB(A)	
Garantert lydeffektnivå L <sub>WA</sub> (i henhold til 2000/14/EF)	96 dB(A)	
Vibrasjon a <sub>h</sub>	Bakre håndtak	3,97 m/s <sup>2</sup> K=1,5 m/s <sup>2</sup>
	Fremre hjelpe- håndtak	2,78 m/s <sup>2</sup> K=1,5 m/s <sup>2</sup>

## PAKKELISTE

NAVN PÅ DEL	MENGDE
Kantklipper	1
Bladvern	1
Fremre hjelpehåndtak	1
Unbraconøkkel	1
Flerbruksnøkkel	1
Skulderrem	1
Brukerhåndbok	1

## BESKRIVELSE

### GJØR DEG KJENT MED KANTKLIPPEREN (Fig. A)

1. Ring
2. Utløser
3. Bakre håndtak
4. Luftinntak
5. Låseknapp
6. Hastighetsbryter høy/lav
7. Oppheng forSkulderrem
8. Justerbart fremre hjelpehåndtak
9. Skulderrem
10. Flerbruksnøkkel
11. Unbraconøkkel
12. Trimmerhode
13. Skjæretråd
14. Utløserflik
15. TrådskjæreBLAD
16. Bladvern
17. Utkastmekanisme
18. Elektriske kontakter
19. Låsemekanisme
20. Gummert beskyttelse
21. Utløserknapp for batteri

## MONTERING

**⚠ ADVARSEL:** Hvis noen av delene er skadet eller mangler, må du ikke bruke dette produktet før delene er byttet. Bruk av dette produktet dersom deler er skadet eller mangler, kan føre til alvorlige personskader.

**⚠ ADVARSEL:** Ikke prøv å endre produktet eller konstruere tilbehør som ikke er anbefalt for bruk med denne kantklipperen. Enhver slik endring eller tilpassing er feil bruk og kan føre til farlige situasjoner og alvorlige personskader.

**⚠ ADVARSEL:** For å hindre utilsiktet start som kan medføre alvorlige personskader, skal batteripakken alltid tas ut av verktøyet når du monterer deler.

### PÅSETTING AV BLADVERN

**⚠ ADVARSEL:** Bruk alltid hansker når du tar på eller bytter bladvernet. Legg merke til hvor knivbladet er på bladvernet, og beskytt hendene dine så de ikke blir skadet.

**⚠ ADVARSEL:** Bruk aldri verktøyet uten at bladvernet er på plass. Bladvernet må alltid være påmontert verktøyet for å beskytte brukeren! Når bladvernet sitter fast, må du ikke forsøke å fjerne eller justere det. Hvis det trengs å byttes, må dette gjøres av en kvalifisert fagperson!

1. Løsne og ta ut de to skruene på bladvernet (fig. B).
2. Juster de to monteringshullene på bladvernet så de er på linje med hullene i verktøyet, og lås bladvernet til skaftsokkelen ved hjelp av de to skruene og de to fjærskivene (Fig. C).

**MERK:** Sørg for at bladvernet er festet slik fig. B og C viser. Gjøres det på annen måte, kan det forårsake stor skade!

### MONTERING OG JUSTERING AV FREMRE HJELPEHÅNDTAK

1. Løsne låsehendelen i fremre hjelpehåndtak og ta låsehendelen og vingemutteren ut av fremre hjelpehåndtak (Fig. D).

Se beskrivelse av delene til fig. D under:

D-1	låsehendel	D-3	Fremrehjelp-håndtak
D-2	Tvinge	D-4	Vingemutter

2. Skyv hjelpehåndtaket inn på skaftet (Fig. E).
3. Sett tvingen inn i spalten på håndtaket (Fig. F).
4. Sett på låsehendelen og stram den midlertidig med vingemutteren. Pass på at det fremre hjelpehåndtaket vender opp og peker mot toppen av det bakre håndtaket (Fig. G).
5. Juster fremre hjelpehåndtak mellom ringen og etiketten for å forsikre deg om at forsiden av armen din er rett når du betjener verktøyet (Fig. H).
6. Lås spaken på låsehendelen. (Fig. I).

**MERK:** Pass på at det fremre hjelpehåndtaket vender opp og peker mot toppen av det bakre håndtaket.

**⚠ ADVARSEL:** Hjelpehåndtaket skal bare festes mellom ringen og etiketten på skaftet.

**⚠ ADVARSEL:** Verktøyet kan ikke brukes uten at fremre hjelpehåndtak er godt festet.

### PÅSETTING AV SKULDERREM

Trykk remkroken inn for å åpne den, og fest den på opphengnet beregnet på dette (Fig. J).

### BETJENING

**⚠ ADVARSEL:** Ikke føl deg så trygg med dette verktøyet at du blir skjodesløs. Husk at et uforsiktig tiendedel av et sekund er nok til å forårsake alvorlige skader.

**⚠ ADVARSEL:** Bruk alltid verne- eller sikkerhetsbriller med sideskjerm i tillegg til hørselsvern. Hvis du ikke gjør det, kan du få fremmedlegemer i øynene eller pådra deg andre alvorlige skader.

**⚠ ADVARSEL:** Ikke bruk tilbehør eller deler som ikke er anbefalt av produsenten av produktet. Bruk av tilbehør eller deler som ikke anbefales, kan medføre alvorlige personskader.

**⚠ ADVARSEL:** For å unngå alvorlig personskade må batteripakken tas ut før service, rengjøring, bytte av tilbehør eller når du fjerner fremmedlegemer fra verktøyet.

Du kan bruke dette produktet til de formålene som er oppført nedenfor:

**Kantklipping:** brukes for å fjerne gress og ugress inntil vegger, gjerder, trær og tomttegrenser.

**Skjæring:** brukes for å klippe gress som er vanskelig å komme til med en vanlig gressklipper.

**MERK:** Verktøyet skal bare brukes til sitt foreskrevne formål. All annen bruk anses for å være feil bruk.

### FESTE/FJERNE BATTERIPAKKEN

#### Lad opp før første gangs bruk

#### Slik setter du det på

Juster batteririllene så de er på linje med monterings-sporene, og trykk batteripakken ned til du hører et klikk (Fig. K).

#### Slik tar du det av

Trykk på batteriutløserknappen og trekk batteripakken ut som vist i Fig. L.

Se Fig. L under for beskrivelse av delene:

L-1	Utløserknapp til batteri
-----	--------------------------

## HOLDE KANTKLIPPEREN

**⚠ ADVARSEL:** Kle deg riktig så du unngår risiko for skader når du bruker dette verktøyet. Ikke bruk løstsittende klær eller smykker. Bruk vernebriller og øre-/hørselsvern. Bruk solide langbukser, støvler og hansker. Ikke bruk korte bukser eller sandaler, og ikke gå barbert.

Før bruk av apparatet skal du stå i arbeidsstilling og sjekke at du har vernebriller, riktig bekledning, balansert fotfeste og strak arm med godt tak i det fremre hjelpehåndtaket.

**MERK:** Trimmerhodet skal være parallelt med bakken i riktig klippeavstand uten at operatøren må bøye seg (Fig. N).

For sikker og bedre drift bør skulderremmen legges rundt skulderen som vist i Fig. N. Juster den så den føles behagelig når du bruker apparatet. Hold kantklipperen med begge hender: En hånd på det bakre håndtaket og den andre hånden på det fremre hjelpehåndtaket.

NO

Det er to måter du kan utløse remmen på. Ta den rett av skulderen (Fig. O), eller trykk på remkroken som du løsner fra opphenget på skaftet (Fig. P).

**⚠ ADVARSEL:** Skulderremmen er også en rask utløsermekanisme i farlige situasjoner. Når en nødsituasjon oppstår, ta apparatet av skulderen umiddelbart, uansett hvordan remmen er påsatt.

## STARTE/STOPPE KANTKLIPPEREN (Fig. M)

### Start

Trykk ned låsepaken, deretter utløseren. Forskjellig trykk på utløseren gir ulik rotasjonshastighet på skjæretråden. Mer trykk betyr høyere hastighet.

### Stopp

Slipp utløseren.

**MERK:** Motoren går bare når både låseknapp og utløser er trykket ned.

**⚠ ADVARSEL:** Batteripakken må alltid fjernes fra kantklipperen under pauser og etter endt arbeid.

## Hastighetsregulering (Fig. M)

Kantklipperen har to hastigheter. Posisjon "1" er for lav hastighet og posisjon "2" for høy hastighet. Skyv eller dra i hastighetsreguleringen for å velge den hastigheten som passer.

Se Fig. M under for beskrivelse av delene:

M-1	Hastighetsbryter høy/lav
M-2	Låseknapp

M-3 | Utløser

## BRUKE KANTKLIPPEREN

**⚠ ADVARSEL:** For å unngå alvorlige personskader skal det brukes briller eller vernebriller hele tiden mens du bruker denne enheten. Bruk en ansiktsmaske eller støvmaske i støvete omgivelser.

Rydd området som skal skjæres før hver bruk. Fjern alle gjenstander så som steiner, knust glass, spiker, ståltråd, eller line som kan kastes eller bli viklet inn i kuttedeler. Se til at området er fritt for barn, tilskuere og dyr. Minimum er at alle barn, tilskuere og dyr er minst 15 m unna; det kan fremdeles være fare for at forbipasserende treffes av gjenstander som slynges ut. Tilskuere bør oppmuntres til å bruke vernebriller. Hvis du blir kontaktet, stopper du motoren og kutteutstyret umiddelbart.

## Før hver bruk skal det sjekkes etter skadede/slitte deler

Sjekk støthodet, skjermen og det fremre hjelpehåndtaket, og bytt de delene som har sprekker, er vridd, bøyd eller skadet på noen måte.

Line-kutteskiven på kanten av skjermen kan bli sløv over tid. Det anbefales at du med jevne mellomrom skjærer den med en fil eller bytter den med et nytt blad.

**⚠ ADVARSEL:** Bruk alltid hansker når du setter på bladvernet eller reparerer det. Legg merke til hvor knivbladet er på bladvernet, og beskytt hendene dine så de ikke blir skadet.

## Kantklipperen skal rengjøres etter hver gangs bruk.

**⚠ OBS:** Tilstopping av ventilene vil hindre luftstrømmen inn i motorhuset og resultere i overoppheting eller skader på motoren.

- Bruk bare mild såpe og en fuktig klut for å rengjøre verktøyet. Ikke la flytende væske komme inn i verktøyet. Ingen deler av luftpumpen må legges i væske.

- Hold alltid luftventilene i motorhuset fri for rusk.

**⚠ ADVARSEL:** Bruk aldri vann når du skal rengjøre kantklipperen. Unngå bruk av løsemidler når plastdeler skal rengjøres. De fleste plasttyper risikerer å ta skade av ulike typer kommersielle løsemidler. Bruk rene kluter for å fjerne skitt, støv, olje, fett, etc.

## JUSTERE LENGDEN PÅ SKJÆRETRÅDEN

Trimmerhodet gjør det mulig for brukeren å frigi mer skjæretråd uten å måtte stoppe motoren. Etter hvert som tråden blir frynset eller slitt, kan ekstra tråd utløses med et lett trykk på trimmerhodet mot bakken mens kantklipperen er i gang (Fig. Q).

**MERK:** Det blir vanskeligere å utløse mer tråd når skjæretråden blir kortere.

**⚠ ADVARSEL:** Unngå å ta av eller gjøre endringer på knivbladet. For lang tråd vil medføre at motoren blir overopphetet og kan resultere i alvorlig personskade.

## BYTTE TRÅD

**MERK:** Bruk alltid den anbefalte nylontråden med en diameter som ikke overskrider 2,4 mm. Hvis du bruker en annen tråd enn den som er anbefalt, kan kantklipperen bli overopphetet eller skadet.

**⚠ ADVARSEL:** Det må aldri benyttes metallforsterket tråd, wire, tau e.l. Disse kan brette og bli farlige prosjektiler.

1. Fjern batteripakken.
2. Fjern gjenværende skjæretråd hvis nødvendig.
3. Skjær en skjæretråd på 4 m. Før tråden inn i monteringsåpningen i maljen (Fig. R). Skyv og dra tråden fra den andre siden til det er like mye tråd på begge sider av spolen.
4. Trykk mens du dreier nedre deksel i pilens retning for å vikle tråden rundt spolen til det er ca. 14 cm tråd på hver side (Fig. S).
5. Skyv nedre deksel ned samtidig som du drar i tråden for å få ut mer, og for å sjekke at trimmerhodet er riktig påsatt.

Hvis skjæretråden går i stykker der tråden kommer ut, eller den ikke utløses når du banker på trimmerhodet, gjør du følgende:

1. Trykk på utløserflikene på øvre deksel, og ta av nedre deksel ved å dra det rett ut (Fig. T og U).
2. Fjern skjæretråden fra spoleholderen.
3. Mens den ene hånden holder øvre deksel, bruker du den andre til å ta tak i nedre deksel og justerer flikene på øvre deksel i forhold til hullene i det nedre (Fig. J). Bruk håndflaten til å trykke og dreie på nedre deksel til flikene går i inngrep med øvre deksel.
4. Følg instruksjonene i "BYTTE TRÅD" for å sette skjæretråden på igjen.

## VEDLIKEHOLD

**⚠ ADVARSEL:** Ved service skal det bare brukes originale reservedeler. Inspiser og vedlikehold maskinen regelmessig. For sikre både sikkerheten og påliteligheten, skal alle reparasjoner utføres av en kvalifisert servicetekniker.

**⚠ ADVARSEL:** Batteriverktøy trenger ikke å være koblet til et strømttak; derfor er de alltid klare til bruk. For å unngå alvorlig personskade, skal det tas ekstra forholdsregler og utvises forsiktighet når du utfører vedlikehold, service eller bytting av kutteutstyr eller annet tilbehør.

**⚠ ADVARSEL:** For å unngå alvorlig personskade, tas batteriet ut av verktøyet før service, rengjøring, bytte av tilbehør eller fjerning av materiale fra enheten.

## RENGJØRING AV ENHETEN

- Rengjør enheten med en fuktig klut og mildt rengjøringsmiddel.
- Ikke bruk sterke vaskemidler på plasthuset eller håndtaket. De kan bli skadet av visse aromatiske oljer, slik som furu og sitron, og av løsemidler som parafin. Fuktighet kan også føre til fare for støt. Tørk av eventuell fuktighet med en myk, tørr klut.
- Bruk en liten børste eller støvsugerbørste til å rengjøre luftventiler på bakre deksel.

## SMØRING AV GIRDRETVET

Girdrevet i girkassen må smøres med jevne mellomrom med girolje. Sjekk nivået på oljen i girkassen ca. hver 50. driftstime ved å ta av forseglingskruen på siden av kassen.

Hvis du ikke ser noe olje langs sidene av giret, følger du trinnene under for å fylle girolje til 3/4 av kapasiteten. Girdrevet må ikke fylles helt opp.

1. Plasser kantklipperen på siden slik at forseglingskruen vender opp (Fig. W).
2. Bruk den medfølgende flerbruksnøkkelen til å løsne og ta av forseglingskruen.
3. Bruk en oljesprøyte (følger ikke med) til å sprøyte inn olje i skruerullet; ikke fyll opp mer enn 3/4.
4. Stram til forseglingskruen når du er ferdig.

## OPPBEVARING AV VERKTØYET

- Ta batteripakken ut av kantklipperen når den ikke er i bruk.
- Rengjør verktøyet grundig før du setter det bort.
- Oppbevar verktøyet på et tørt og godt ventilert sted, innelåst eller høyt plassert, og utilgjengelig for barn. Unngå å oppbevare verktøyet på eller ved siden av gjødningsmidler, bensin eller andre kjemikalier.

## Beskytt miljøet



Elektrisk utstyr, batterilader og batterier/oppladbare batterier skal ikke kastes i husholdningsavfall.

Ifølge EU-forskrift 2012/19/EU, skal elektrisk og elektronisk utstyr som ikke lenger er brukbart, og som i henhold til EU-forskrift 2006/66/EC har defekte eller brukte batteripakker/batterier, samles inn separat.

Hvis elektrisk apparater kastes på søppelfyllinger, kan farlige stoffer lekke ut i grunnvannet og komme inn i næringskjeden, og forårsake skader på helse og velvære.

NO



## FEILSØKING

PROBLEM	ÅRSAK	LØSNING
Kantklipperen starter ikke.	<ul style="list-style-type: none"> <li>■ Batteripakken er ikke montert i kantklipperen.</li> <li>■ Det er ingen elektrisk kontakt mellom kantklipperen og batteriet.</li> <li>■ Batteripakken er utladet.</li> <li>■ Låseknappen og utløseren er ikke trykket ned samtidig.</li> </ul>	<ul style="list-style-type: none"> <li>■ Monter batteripakken i kantklipperen.</li> <li>■ Fjern batteriet, sjekk kontakter og installer batteripakken.</li> <li>■ Lad opp batteripakken.</li> <li>■ Trykk ned låseknappen og hold den inne, og trykk deretter på utløseren for å slå på kantklipperen.</li> </ul>
Kantklipperen stopper under klipping.	<ul style="list-style-type: none"> <li>■ Bladvernet er ikke montert på kantklipperen, noe som fører til altfor lang skjæretråd og overbelastning av motoren.</li> <li>■ Kraftig skjæretråd er brukt.</li> <li>■ Gress har festet seg rundt trimmerhodet.</li> <li>■ Motoren er overbelastet.</li> <li>■ Batteripakken eller kantklipperen er for varm.</li> <li>■ Batteripakken er fjernet fra verktøyet.</li> <li>■ Batteripakken er utladet.</li> </ul>	<ul style="list-style-type: none"> <li>■ Ta ut batteripakken og monter bladvernet på kantklipperen.</li> <li>■ Bruk alltid anbefalt skjæretråd av nylon med en diameter som ikke er større enn 2,4 mm.</li> <li>■ Stopp kantklipperen, ta ut batteriet og fjern gresset fra drivakselen og trimmerhodet.</li> <li>■ Ta trimmerhodet bort fra gresset. Motoren vil fungere igjen når belastningen er fjernet. Når du klipper gresset, skal du bevege trimmerhodet inn og ut av gresset og bare fjerne ca. 20 cm i én omgang.</li> <li>■ La batteripakken eller trimmeren kjøle seg ned til temperaturen kommer under 67 °C.</li> <li>■ Installer batteripakken på nytt.</li> <li>■ Lad opp batteripakken.</li> </ul>
Trimmerhodet trekker ikke frem tråden.	<ul style="list-style-type: none"> <li>■ Gress har festet seg rundt trimmerhodet.</li> <li>■ Det er ikke nok tråd på spolen.</li> <li>■ Trimmerhodet er skittent.</li> <li>■ Tråden har viklet seg rundt spoleholderen.</li> <li>■ Tråden er for kort.</li> </ul>	<ul style="list-style-type: none"> <li>■ Stopp kantklipperen, ta ut batteriet og rengjør drivakselen og trimmerhodet.</li> <li>■ Fjern batteriet og bytt skjæretråden; se avsnittet "BYTTE TRÅD" i denne håndboken.</li> <li>■ Ta ut batteriet og rengjør trimmerhodet.</li> <li>■ Fjern batteriet, ta tråden ut av trimmerhodet og spol tilbake; se avsnittet "TREKKE FREM SKJÆRETRÅDEN" i denne håndboken.</li> <li>■ Fjern batteriet og dra i trådene med hendene mens du vekselvis trykker ned og slipper opp trimmerhodet.</li> </ul>

PROBLEM	ÅRSAK	LØSNING
Gress fester seg rundt trimmerhodet og motorhuset.	<ul style="list-style-type: none"><li>▪ Klipper høyt gress på bakkenivå.</li></ul>	<ul style="list-style-type: none"><li>▪ Klipp høyt gress fra toppen og ned, og ikke fjern mer enn 20 cm i hver passering, for å hindre opphopning.</li></ul>
Sprekker i trimmerhodet eller nedre deksel gjør at øvre deksel løsner.	<ul style="list-style-type: none"><li>▪ Trimmerhodet er utslitt.</li></ul>	<ul style="list-style-type: none"><li>▪ Trimmerhodet må byttes umiddelbart av en kvalifisert reparatør.</li></ul>

## GARANTI

### EGOS GARANTIREGLER

Besøk nettsiden [egopowerplus.com](http://egopowerplus.com) for å se fullstendige vilkår og betingelser for EGO-garantireglene.

NO

## ПРОЧИТАЙТЕ ВСЕ ИНСТРУКЦИИ!



ПРОЧИТАЙТЕ РУКОВОДСТВО  
ПОЛЬЗОВАТЕЛЯ

**⚠️ Остаточные риски!** Если вы используете электронные устройства, такие как кардиостимулятор, перед эксплуатацией данного устройства проконсультируйтесь с врачом. Использование электрооборудования в непосредственной близости от кардиостимулятора может привести к образованию помех и повреждению кардиостимулятора.

**⚠️ ПРЕДУПРЕЖДЕНИЕ.** Чтобы обеспечить безопасность и надежность устройства, его ремонт и замену частей должен выполнять квалифицированный специалист.

## СИМВОЛЫ БЕЗОПАСНОСТИ

Символы безопасности предназначены для привлечения внимания к возможным рискам. Символы безопасности, а также объяснения к ним, требуют особого внимания и понимания. Предупреждения по технике безопасности сами по себе не устраняют опасность. Инструкции и предупреждения не заменяют соответствующие меры по предотвращению несчастных случаев.

**⚠️ ПРЕДУПРЕЖДЕНИЕ.** Перед использованием устройства внимательно прочитайте все инструкции в данном руководстве пользователя и ознакомьтесь с предупреждающими символами безопасности, такими как «ОПАСНОСТЬ», «ПРЕДУПРЕЖДЕНИЕ» и «ВНИМАНИЕ». Несоблюдение всех приведенных ниже инструкций может привести к поражению электрическим током, возникновению пожара и/или получению серьезных травм.

## ЗНАЧЕНИЕ СИМВОЛОВ

**ПРЕДУПРЕЖДАЮЩИЙ СИМВОЛ** Означает **УВЕДОМЛЕНИЯ, ПРЕДУПРЕЖДЕНИЯ и ПРЕДОСТЕРЕЖЕНИЯ.** Может использоваться с другими символами или изображениями.








**⚠️ ПРЕДУПРЕЖДЕНИЕ.** В результате работы электроинструмента в глаза могут попасть посторонние предметы, что приведет к серьезному повреждению глаз. Перед началом использования электроинструмента всегда надевайте защитную маску или защитные очки с боковыми щитками и полнопрофильную защитную маску (при необходимости). Поверх очков или стандартных защитных очков рекомендуется надевать маску Wide Vision Safety.

## ИНСТРУКЦИИ ПО ТЕХНИКЕ БЕЗОПАСНОСТИ

Далее приведено изображение и описание символов безопасности, которые могут присутствовать на данном устройстве. Перед сборкой или использованием внимательно прочитайте все инструкции, приведенные на устройстве, и соблюдайте их.

	Предупреждение об опасности	Указывает на потенциальную опасность получения травмы.
	Внимательно прочитайте руководство пользователя.	Чтобы уменьшить риск получения травм, перед использованием устройства необходимо прочитать и понять руководство по эксплуатации.
	Надевайте защитные очки.	При использовании устройства всегда надевайте средства защиты органов слуха.
	Используйте средства защиты органов слуха.	При использовании устройства всегда надевайте средства защиты органов слуха.
	Не использовать режущие элементы	Не устанавливайте металлические и пластиковые режущие элементы.

RU

	Не позволяйте посторонним людям находиться поблизости.	Убедитесь, что другие люди и животные находятся на расстоянии не менее 15 м от работающего устройства.
	Не позволяйте посторонним людям находиться поблизости.	Убедитесь, что другие люди и животные находятся на расстоянии не менее 15 м от работающего устройства.
	Шум	Уровень звукового давления
	Класс защиты	Защита от брызг воды
V	Вольт	Напряжение
mm	Миллиметр	Длина или размер
cm	Сантиметр	Длина или размер
	Постоянный ток	Тип или характеристика тока.
$n_0$	Скорость работы без нагрузки	Скорость вращения без нагрузки
min <sup>-1</sup>	В минуту	Оборотов в минуту

## ВАЖНЫЕ ИНСТРУКЦИИ ПО ТЕХНИКЕ БЕЗОПАСНОСТИ

**⚠ ПРЕДУПРЕЖДЕНИЕ!** При использовании электрического триммера необходимо соблюдать следующие основные меры предосторожности для уменьшения вероятности возникновения пожара, поражения электрическим током и получения травм:

### ПРОЧИТАЙТЕ ВСЕ ИНСТРУКЦИИ

**⚠ ОПАСНО!** Не следует полагаться на изоляцию инструмента для защиты от поражения электрическим током. Чтобы снизить риск поражения электрическим током, не эксплуатируйте инструмент в непосредственной близости от каких-либо проводов или кабелей, через которые может проходить электрический ток.

**⚠ ВНИМАНИЕ!** Во время использования устройства надевайте соответствующие индивидуальные средства защиты органов слуха. При

определенных условиях и длительности использования шум от данного устройства может привести к потере слуха.

### ОБУЧЕНИЕ

- Внимательно прочитайте инструкции. Ознакомьтесь со всеми элементами управления и научитесь правильно использовать оборудование.
- Никогда не позволяйте пользоваться устройством детям или людям, не знакомым с этими инструкциями. Местные нормы могут ограничивать возраст оператора.
- Помните, что оператор или владелец несут ответственность за несчастные случаи и ущерб, нанесенный другим людям или их имуществу.

### ПОДГОТОВКА

- Не используйте устройство, если рядом с вами находятся люди (особенно дети) или животные.
- При работе с устройством надевайте защитные очки и прочную обувь.
- Расстояние между устройством и посторонними лицами должно составлять не менее 15 м.
- Не используйте металлические лезвия.

### ИСПОЛЬЗОВАНИЕ

- Используйте инструмент только при дневном свете или хорошем искусственном освещении.
- Не используйте инструмент, если щитки повреждены или не установлены.
- Перед запуском двигателя убедитесь, что режущие части находятся на достаточном расстоянии от рук и ног.
- Всегда отключайте устройство от источника питания (т.е. извлекайте вилку из розетки или отключайте отключающее устройство) в следующих случаях:
  - если инструмент остается без присмотра;
  - перед очисткой засорения;
  - перед проверкой, очисткой или выполнением работ, связанных с устройством;
  - после столкновения с посторонним предметом;
  - в случае чрезмерной вибрации устройства.
- Чтобы не допустить получения травм, руки и ноги должны находиться на безопасном расстоянии от режущих частей.
- Следите за тем, чтобы вентиляционные отверстия не были засорены.

## ОБСЛУЖИВАНИЕ И ХРАНЕНИЕ

- Прежде чем выполнять обслуживание или очистку, всегда отключайте устройство от источника питания (т.е. извлекайте вилку из розетки или отключайте отключающее устройство).
- Используйте только запасные части и дополнительные приспособления, рекомендованные производителем.
- Регулярно проверяйте и выполняйте техническое обслуживание устройства. Ремонт устройства должен выполнять только квалифицированный специалист.
- Если инструмент не используется, храните его в недоступном для детей месте.

## ПРЕДУПРЕЖДЕНИЯ ПО ТЕХНИКЕ БЕЗОПАСНОСТИ

- Не допускайте работы в опасных условиях — не используйте триммеры в сырых и влажных местах.
- Всегда выключайте устройство или извлекайте из него аккумулятор, когда оставляете триммер без присмотра.
- Не используйте во время дождя.
- Не подпускайте к устройству детей — все посторонние должны находиться на безопасном расстоянии от обрабатываемого участка.
- Одевайтесь надлежащим образом — не надевайте свободную одежду и украшения. Они могут попасть в движущиеся части. Рекомендуется использовать резиновые перчатки и прочную обувь при работе на открытом воздухе. Надевайте защитный головной убор, чтобы убрать длинные волосы.
- Используйте защитные очки. При работе с устройством всегда надевайте защитные очки.
- Используйте подходящий инструмент — не используйте устройство не по назначению.
- Не прилагайте чрезмерных усилий к триммеру — использование с предназначенной скоростью способствует более эффективному выполнению работы с меньшим риском получения травмы.
- Не тянитесь — во время работы всегда сохраняйте устойчивое положение.
- Будьте бдительны — следите за выполняемой работой. Руководствуйтесь здравым смыслом. Не пользуйтесь триммером, если устали.
- Не используйте триммер, если вы находитесь под воздействием алкоголя или наркотических средств.
- Защитные ограждения должны быть установлены и находиться в рабочем состоянии.
- Храните триммер внутри помещения — если устройство не используется, его необходимо хранить в сухом, высоком или закрытом месте, недоступном для детей, с извлеченным аккумулятором.
- Аккуратно обслуживайте триммер — для оптимальной производительности и снижения риска получения травмы следите за тем, чтобы режущее приспособление было острым и чистым. Соблюдайте инструкции по замене принадлежностей. Следите за тем, чтобы рукоятки были сухими и чистыми и на них не было масла или смазочного материала.
- Проверяйте инструмент на наличие поврежденных частей — перед дальнейшим использованием инструмента необходимо тщательно проверить защитное ограждение или другие поврежденные части и убедиться в их исправной работе и выполнении предназначенной функции. Проверьте правильное положение и сцепление движущихся частей, наличие их повреждений, крепление и другие условия, которые могут повлиять на работу электроинструмента. В случае повреждения щиток или другие части необходимо отремонтировать надлежащим образом или заменить в авторизованном сервисном центре, если не указано иное в данном руководстве пользователя.
- Очищайте обрабатываемый участок перед каждым использованием инструмента. Удалите такие предметы, как камни, осколки стекла, гвозди, проволоку или веревки, которые могут запутаться в режущем приспособлении или которые оно может отбросить. Убедитесь, что другие люди и животные находятся на расстоянии не менее 15 м от работающего устройства.
- Перед началом и после завершения использования инструмента проверьте его на наличие износа и повреждений; при необходимости отремонтируйте.
- Во время использования всегда крепко держите триммер обеими руками за рукоятки. Обхватите рукоятки пальцами.
- Чтобы предотвратить случайное включение, во время переноски не держите палец на курке.
- Не используйте триммер в горячих и взрывоопасных средах. Во время работы двигатель устройства генерирует искры, которые могут воспламенить горячие газы.

- Повреждение триммера — если устройство столкнулось с посторонним предметом или запуталось в чем-либо, немедленно выключите его, извлеките аккумулятор, проверьте триммер на наличие повреждений и отремонтируйте повреждения перед следующим использованием устройства. Не используйте устройство с поврежденными щитком или катушкой.
- Если устройство чрезмерно вибрирует, заглушите двигатель, извлеките из устройства аккумулятор и немедленно выясните причину. Обычно вибрация указывает на возникновение проблемы. Ослабленная головка может вибрировать, трескаться, ломаться или соскочить с триммера, что может привести к серьезным травмам или смерти. Убедитесь, что режущее приспособление установлено должным образом и надежно закреплено. Если головка расшатывается после закрепления, немедленно замените ее. Никогда не используйте триммер, если какие-либо его части плохо закреплены.
- Немедленно замените режущую головку, если она треснула, повреждена или изношена, даже если повреждение находится только на поверхности. Поврежденные приспособления могут разрушиться на высокой скорости и нанести серьезные или фатальные травмы.
- Регулярно проверяйте режущее приспособление во время использования, а также сразу после обнаружения серьезных изменений в работе устройства.
- Используйте только авторизованные EGO™ приспособления для полимерных лесок триммеров и режущие лески, разработанные специально для этого устройства. Несмотря на то что неавторизованные приспособления могут быть установлены на триммеры EGO™, их использование очень опасно и/или может привести к повреждению устройства.
- Чтобы снизить риск получения серьезных травм, никогда не используйте проволоку, усиленную металлом леску и другие материалы вместо нейлоновой режущей лески. Кусочки проволоки могут отламываться и отбрасываться с большой скоростью в сторону оператора и стоящих рядом.
- Чтобы снизить риск получения травм при потере контроля, никогда не работайте на стремянке или на любой другой неустойчивой поверхности. Никогда не поднимайте режущее приспособление выше уровня талии.

- При возникновении ситуаций, не описанных в данном руководстве, соблюдайте осторожность и руководствуйтесь здравым смыслом. Обратитесь в сервисный центр EGO за помощью.
- Не заряжайте аккумулятор под дождем или во влажных условиях.
- Используйте только аккумуляторы и зарядные устройства EGO.

АККУМУЛЯТОР	ЗАРЯДНОЕ УСТРОЙСТВО
BA1120E, BA1400, BA2240E BA2800, BA3360, BA4200, BA1400T, BA2800T, BA4200T	CH2100E, CH5500E

- Прежде чем выбрасывать устройство, необходимо извлечь аккумулятор.
- Аккумулятор необходимо утилизировать безопасным способом.
- Не бросайте аккумуляторы в огонь. Аккумуляторы могут взорваться. Ознакомьтесь с местными нормами и правилами, которые могут содержать специальные инструкции по утилизации.
- Не вскрывайте и не деформируйте аккумулятор. Вытекший электролит может стать причиной коррозии и привести к повреждению глаз или кожи. Он токсичен при проглатывании.
- Будьте осторожны при обращении с аккумуляторами, чтобы не замкнуть контакты предметами из проводящих материалов, такими как кольца, браслеты и ключи. Аккумулятор или контакт могут перегреться и вызвать ожоги.
- При ремонте используйте только идентичные запасные части EGO™. Использование других принадлежностей или приспособлений может привести к получению травмы.
- Работающие от аккумуляторов инструменты не требуют подключения к розетке электросети, поэтому они всегда готовы к использованию. Помните о возможности возникновения опасных ситуаций даже когда устройство не используется. Соблюдайте осторожность при выполнении технического обслуживания или ремонта.
- Не мойте устройство из шланга. Избегайте попадания воды в двигатель и электрические соединения.
- Сохраните данные инструкции. Регулярно просматривайте их и предоставляйте для ознакомления другим пользователям. Одалживая кому-либо устройство, передайте также данные инструкции для предотвращения неправильного использования и возможных травм.

- При работе с устройством всегда надевайте прочную обувь и длинные брюки.
- Сохраняйте устойчивое положение на склонах. Передвигайтесь шагом, не бегайте.

## СОХРАНИТЕ ДАННЫЕ ИНСТРУКЦИИ!

## ТЕХНИЧЕСКИЕ ХАРАКТЕРИСТИКИ

Напряжение	56 V $\overline{\text{---}}$	
Скорость вращения без нагрузки	5000/6000 min <sup>-1</sup>	
Режущий механизм	Головка катушки	
Тип режущей лески	Нейлоновая крученая леска 2,4 мм	
Ширина резания	38 см	
Масса (без аккумулятора)	4,21 кг	
Измеренный уровень звуковой мощности L <sub>WA</sub>	94,3 дБ (A) K=1,37 дБ (A)	
Уровень звукового давления на уши оператора L <sub>PA</sub>	82,6 дБ(A) K=3 дБ(A)	
Гарантированный уровень звуковой мощности L <sub>WA</sub> (в соответствии с 2000/14/ЕС)	96 дБ (A)	
Вибрация a <sub>h</sub>	Задняя рукоятка	3,97 м/с <sup>2</sup> K=1,5 м/с <sup>2</sup>
	Передняя вспомогательная рукоятка	2,78 м/с <sup>2</sup> K=1,5 м/с <sup>2</sup>

## КОМПЛЕКТ ПОСТАВКИ

НАЗВАНИЕ ДЕТАЛИ	КОЛИЧЕСТВО
Линейный триммер	1
Щиток	1
Узел передней вспомогательной рукоятки	1
Шестигранный ключ	1
Многофункциональный гаечный ключ	1
Плечевой ремень	1
Руководство по эксплуатации	1

## ОПИСАНИЕ

### ЧАСТИ ТРИММЕРА (Рис. А)

1. Ограничительное кольцо
2. Курок
3. Задняя рукоятка
4. Воздухозаборное отверстие
5. Кнопка блокировки
6. Переключатель высокой/низкой скорости
7. Крепление наплечного ремня
8. Регулируемая передняя вспомогательная рукоятка
9. Наплечный ремень
10. Многофункциональный гаечный ключ
11. Шестигранный ключ
12. Головка триммера (катушки)
13. Режущая леска
14. Фиксатор
15. Лезвие для обрезки лески
16. Щиток
17. Выталкивающий механизм
18. Электрические контакты
19. Фиксатор
20. Резиновая защитная накладка
21. Кнопка фиксации аккумулятора

## СБОРКА

**⚠ ПРЕДУПРЕЖДЕНИЕ.** Если какие-либо части повреждены или отсутствуют, не используйте устройство, пока они не будут установлены. Использование устройства в случае повреждения или отсутствия частей может привести к получению серьезной травмы.

**⚠ ПРЕДУПРЕЖДЕНИЕ.** Не пытайтесь изменить конструкцию данного изделия или создать не рекомендованные для него дополнительные принадлежности. Подобное изменение считается ненадлежащим использованием и способствует возникновению опасной ситуации, которая приведет к получению серьезной травмы.

**⚠ ПРЕДУПРЕЖДЕНИЕ.** Чтобы предотвратить случайное включение устройства и получение серьезной травмы, во время сборки извлекайте аккумулятор.

## УСТАНОВКА ЩИТКА

**⚠ ПРЕДУПРЕЖДЕНИЕ.** Всегда надевайте перчатки при установке и демонтаже щитка. Остерегайтесь лезвия на щитке и берегите руки от порезов.

**⚠ ПРЕДУПРЕЖДЕНИЕ.** Никогда не используйте устройство без надежно установленного щитка. Щиток всегда должен быть установлен на устройство для защиты пользователя! Не пытайтесь снимать или регулировать установленный щиток. Если щиток необходимо заменить, эту работу должен выполнить квалифицированный специалист по обслуживанию!

1. Открутите и удалите два наборных винта с основания вала (Рис. В).
2. Совместите крепежные отверстия щитка с отверстиями для установки, а затем зафиксируйте щиток на основании вала при помощи двух винтов и двух пружинных шайб (Рис. С).

**ПРИМЕЧАНИЕ.** Убедитесь, что щиток установлен так, как показано на Рис. В и С. Любое другое положение может быть очень опасным!

RU

## УСТАНОВКА И РЕГУЛИРОВКА ПЕРЕДНЕЙ ВСПОМОГАТЕЛЬНОЙ РУКОЯТКИ

1. Ослабьте стопор передней вспомогательной рукоятки, затем снимите стопор и барашковую гайку с передней вспомогательной рукоятки (Рис. D).

Описание частей на Рис. D

D-1	Стопор	D-3	Передняя вспомогательная рукоятка
D-2	Зажимной блок	D-4	Барашковая гайка

2. Наденьте переднюю вспомогательную рукоятку на вал (Рис. E).
3. Вставьте зажимной блок в отверстие рукоятки (Рис. F).
4. Установите стопор и предварительно затяните при помощи барашковой гайки. Убедитесь, что передняя вспомогательная рукоятка расположена вертикально и направлена к верхней части задней рукоятки (Рис. G).
5. Отрегулируйте переднюю вспомогательную рукоятку между ограничительным кольцом и этикеткой таким образом, чтобы передняя рука была полностью выпрямлена во время работы (Рис. H).
6. Заблокируйте рычаг стопора (Рис. I).

**ПРИМЕЧАНИЕ.** Передняя вспомогательная рукоятка должна быть повернута вверх, чтобы располагаться напротив верхней части задней рукоятки.

**⚠ ПРЕДУПРЕЖДЕНИЕ.** Фиксируйте переднюю вспомогательную рукоятку только между ограничительным кольцом и этикеткой на валу.

**⚠ ПРЕДУПРЕЖДЕНИЕ.** Устройство нельзя использовать без надежно установленной передней вспомогательной рукоятки.

## УСТАНОВКА НАПЛЕЧНОГО РЕМНЯ

Нажмите на карабин ремня, чтобы открыть его, и присоедините к креплению плечевого ремня (Рис. J).

## ЭКСПЛУАТАЦИЯ

**⚠ ПРЕДУПРЕЖДЕНИЕ.** Не допускайте небрежности и беспечности при работе с устройством. Помните, что потери бдительности на долю секунды достаточно для получения серьезной травмы.

**⚠ ПРЕДУПРЕЖДЕНИЕ.** При работе с данным устройством всегда используйте защитные очки или защитные очки с боковыми щитками, а также средства защиты органов слуха. В противном случае выбрасываемые предметы могут попасть в глаза, что приведет к получению серьезной травмы.

**⚠ ПРЕДУПРЕЖДЕНИЕ.** Не используйте насадки или дополнительные приспособления, не рекомендованные производителем устройства. Использование нерекондованных насадок и дополнительных приспособлений может привести к серьезным травмам.

**⚠ ПРЕДУПРЕЖДЕНИЕ.** Чтобы предотвратить получение серьезных травм, извлекайте аккумулятор перед выполнением сервисного обслуживания, очистки, замены принадлежностей или удаления материала из устройства.

Данное устройство можно использовать в следующих целях.

**Скашивание:** используется для удаления травы и сорняков рядом со стенами, заборами, деревьями и бордюрами.

**Резка:** используется для скашивания травы, которую трудно достать при помощи обычной газонокосилки.

**ПРИМЕЧАНИЕ.** Инструмент должен использоваться только по назначению. Любое другое использование (например, обрезка кустов) считается ненадлежащим.

## УСТАНОВКА И ДЕМОНТАЖ АККУМУЛЯТОРА



**Перед первым использованием полностью зарядите аккумулятор.**

#### Установка

Совместите ребра аккумулятора с крепежными отверстиями и вставьте аккумулятор до щелчка (Рис. К).

#### Демонтаж

Нажмите кнопку фиксации аккумулятора и извлеките аккумулятор, как показано на Рис. L.

Описание частей на Рис. L

L-1	Кнопка извлечения аккумулятора
-----	--------------------------------

### ОБРАЩЕНИЕ С ТРИММЕРОМ С ЛЕСКОЙ

**⚠ ПРЕДУПРЕЖДЕНИЕ.** Одевайтесь надлежащим образом, чтобы снизить риск получения травм при использовании данного инструмента. Не надевайте свободную одежду и украшения. Используйте средства защиты органов зрения и слуха. Надевайте плотные длинные брюки, прочную обувь и перчатки. Не надевайте шорты, сандалии и не работайте босиком.

Перед использованием устройства наденьте защитные очки, подходящую одежду, примите устойчивое рабочее положение и полностью выпрямите руку, которая находится на передней вспомогательной рукоятке.

**ПРИМЕЧАНИЕ.** Головка триммера должна располагаться параллельно земле на таком расстоянии, при котором оператору не нужно тянуться и перегибаться (Рис. N).

Для более безопасной и эффективной работы надевайте ремень через плечо, как показано на Рис. N. Отрегулируйте наплечный ремень для удобного рабочего положения. Крепко держите триммер двумя руками. Одна рука должна удерживать заднюю рукоятку, а другая — переднюю вспомогательную рукоятку.

Существует два способа отсоединения ремня. Снимите его непосредственно с плеча (Рис. O) или отстегните карабин и снимите его с крепления наплечного ремня, прикрепленного к валу (Рис. P).

**⚠ ПРЕДУПРЕЖДЕНИЕ.** Наплечный ремень также является быстроразъемным механизмом, использующимся в опасных ситуациях. В случае возникновения чрезвычайной ситуации немедленно снимите его с плеча любым способом.

### ВКЛЮЧЕНИЕ И ВЫКЛЮЧЕНИЕ ТРИММЕРА С ЛЕСКОЙ (Рис. M)

#### Включение

Нажмите на рычаг блокировки, затем зажмите курковый переключатель. Сила нажатия на курок влияет на скорость вращения лески. Чем сильнее нажат курок, тем выше скорость.

#### Выключение

Отпустите курок.

**ПРИМЕЧАНИЕ.** Двигатель работает только в том случае, когда кнопка блокировки и курок зажаты одновременно.

**⚠ ПРЕДУПРЕЖДЕНИЕ.** Во время перерывов в работе и после ее окончания всегда извлекайте аккумулятор из устройства.

#### Функция регулировки скорости (Рис. M)

Триммер имеет два скоростных режима. Положение «1» соответствует низкой скорости, а положение «2» — высокой. Используйте переключатель высокой/низкой скорости для выбора подходящей скорости во время использования.

Описание частей на Рис. M

M-1	Переключатель высокой/низкой скорости
M-2	Кнопка блокировки
M-3	Курок

### ИСПОЛЬЗОВАНИЕ ТРИММЕРА С ЛЕСКОЙ

**⚠ ПРЕДУПРЕЖДЕНИЕ.** Во избежание травм всегда надевайте защитные очки при работе с данным устройством. Надевайте маску или респиратор при работе в пыльной среде.

Очищайте обрабатываемый участок перед каждым использованием инструмента. Удалите такие предметы, как камни, осколки стекла, гвозди, проволоку или веревки, которые могут запутаться в режущем приспособлении или которые оно может отбросить. На участке не должны находиться дети, прохожие и животные. Дети, прохожие и животные должны находиться на расстоянии не менее 15 м, так как во время работы могут отлетать предметы. Посторонние лица должны надевать защитные очки. В случае приближения посторонних лиц немедленно остановите двигатель и режущее приспособление.

**Перед каждым использованием проверяйте устройство на наличие поврежденных и изношенных частей.**

Проверьте головку катушки, щиток и переднюю вспомогательную рукоятку и замените треснувшие, деформированные, изогнутые или поврежденные части.

Лезвие для обрезки лески на краю щитка может время от времени затупляться. Рекомендуется периодически затачивать его напильником или заменять новым.

**⚠ ПРЕДУПРЕЖДЕНИЕ.** Всегда надевайте перчатки при установке щитка и обслуживании лезвия. Остерегайтесь лезвия на щитке и берегите руки от порезов.

**Очищайте триммер после каждого использования.**

**⚠ ВНИМАНИЕ!** Загрязнения в вентиляционных отверстиях могут помешать попаданию воздуха в корпус двигателя и привести к перегреву и повреждению двигателя.

- Для очистки устройства используйте только слабый мыльный раствор и влажную ткань. Никогда не допускайте попадания какой-либо жидкости внутрь инструмента и никогда не погружайте никакие части инструмента в жидкость.

- Следите за тем, чтобы вентиляционные отверстия на корпусе двигателя всегда были чистыми.

**⚠ ПРЕДУПРЕЖДЕНИЕ.** Никогда не используйте воду для очистки триммера. Не используйте растворители для очистки пластиковых частей. Большинство пластиковых частей чувствительны к различным бытовым растворителям. Для очистки от грязи, пыли, масла, смазки и т. п. используйте чистую ткань.

## РЕГУЛИРОВКА ДЛИНЫ РЕЖУЩЕЙ ЛЕСКИ

Режущая головка позволяет оператору вытянуть дополнительное количество лески, не выключая двигатель. Если леска изнасилась во время использования триммера, слегка прижмите головку триммера к земле, чтобы вытянуть дополнительную леску (Рис. Q).

**ПРИМЕЧАНИЕ.** Вытягивание лески становится сложнее по мере ее укорачивания.

**⚠ ПРЕДУПРЕЖДЕНИЕ.** Не демонтируйте и не изменяйте узел лезвия для обрезки лески. Слишком длинная леска может стать причиной перегрева двигателя и серьезных травм.

## ЗАМЕНА ЛЕСКИ

**ПРИМЕЧАНИЕ.** Всегда используйте рекомендованную нейлоновую режущую леску диаметром не более 2,4 мм. Использование лески, не отвечающей техническим характеристикам устройства, может привести к перегреву или повреждению триммера.

**⚠ ПРЕДУПРЕЖДЕНИЕ.** Никогда не используйте усиленную металлом леску, проволоку, веревку и т. д. Части этих материалов могут отделяться и опасно разлетаться в стороны.

1. Извлеките аккумулятор.
2. При необходимости извлеките оставшуюся леску.
3. Отрежьте 4 м лески и вставьте ее в крепежное отверстие внутри ушка (Рис. R). Проденьте и вытяните леску с другой стороны таким образом, чтобы с обеих сторон катушки леска была одинаковой длины.
4. Прижмите нижнюю крышку и вращайте ее в направлении, указанном стрелкой, чтобы намотать леску на катушку, оставив приблизительно по 14 см с каждой стороны (Рис. S).
5. Прижмите нижнюю крышку и одновременно вытяните обе лески, чтобы вручную отрегулировать длину и проверить правильность сборки головки триммера.

Если режущая леска выскочила из отверстия или не вытягивается при нажатии на головку триммера, следуйте инструкциям ниже.

1. Нажмите на фиксаторы на верхней крышке и потяните нижнюю крышку, чтобы снять (Рис. T и U).
2. Извлеките режущую леску из катушки.
3. Одной рукой удерживайте нижнюю крышку, а другой рукой возьмитесь за нижнюю крышку и совместите выступы на верхней крышке с отверстиями на нижней крышке (Рис. V). Прижмите нижнюю крышку ладонью, чтобы выступы зафиксировались на месте.
4. Инструкции по установке режущей лески см. в разделе «ЗАМЕНА ЛЕСКИ».

## ОБСЛУЖИВАНИЕ

**⚠ ПРЕДУПРЕЖДЕНИЕ.** При ремонте используйте только идентичные запасные части. Регулярно проверяйте и выполняйте техническое обслуживание устройства. Чтобы обеспечить безопасность и надежность устройства, его ремонт должен выполнять квалифицированный специалист.

**⚠ ПРЕДУПРЕЖДЕНИЕ.** Работающие от аккумуляторов инструменты не требуются подключать к розетке электросети, поэтому они всегда готовы к использованию. Чтобы предотвратить получение серьезных травм, будьте особо осторожны и внимательны при выполнении технического обслуживания, ремонта или замене режущих или других приспособлений.

**⚠ ПРЕДУПРЕЖДЕНИЕ.** Чтобы предотвратить получение серьезных травм, извлекайте аккумулятор перед выполнением сервисного обслуживания, очистки, замены принадлежностей или удаления материала из устройства.

### ОЧИСТКА УСТРОЙСТВА

Очистите устройство с помощью влажной ткани и мягкого моющего средства.

Не используйте активные моющие средства для очистки пластикового корпуса или рукоятки. Они могут быть повреждены определенными ароматическими маслами, такими как хвойное и лимонное масла, а также растворителями, например керосином. Кроме того, наличие влаги может привести к поражению электрическим током. Протрите влажное место мягкой сухой тканью.

С помощью маленькой щетки или небольшого пылесоса очистите вентиляционные отверстия на задней стороне корпуса.

### СМАЗКА ШЕСТЕРНЕЙ РЕДУКТОРА

Шестерни в редукторе необходимо периодически смазывать трансмиссионной смазкой. Проверяйте уровень смазки каждые 50 часов работы, сняв уплотнительный винт на боковой стороне корпуса.

Если по бокам шестерней не видно следов смазки, выполните указанные ниже действия, чтобы залить трансмиссионную смазку на 3/4 объема. Не заливайте шестерни редуктора полностью.

1. Положите триммер с леской на бок таким образом, чтобы уплотнительный винт был направлен вверх (Рис. W).
2. Используйте прилагаемый многофункциональный гаечный ключ, чтобы открутить и извлечь уплотнительный винт.
3. Используйте смазочный шприц (не входит в комплект), чтобы впрыснуть немного смазки в отверстие для винта (не более 3/4 объема).
4. Закрутите уплотнительный винт после смазки.

### ХРАНЕНИЕ УСТРОЙСТВА

- Извлеките аккумулятор из триммера, если он не используется.
- Тщательно очистите устройство перед хранением.
- Храните устройство в сухом, хорошо проветриваемом, закрытом или высоком месте, недоступном для детей. Не храните устройство рядом с удобрениями, бензином или другими химическими веществами.

### Защита окружающей среды



Не выбрасывайте электрооборудование, зарядные устройства, батарейки и аккумуляторы вместе с бытовыми отходами!

В соответствии с европейским законом 2012/19/EU электрическое и электронное оборудование, которое не подлежит дальнейшей эксплуатации, а также непригодные и использованные батарейки и аккумуляторы (согласно европейскому закону 2006/66/EC) должны быть утилизированы отдельно. При утилизации электрических устройств на свалках в подземные воды могут просочиться опасные вещества, которые затем попадут в пищевую цепь и приведут к общему ухудшению здоровья и благополучия.

RU

## УСТРАНЕНИЕ НЕПОЛАДOK

ПРОБЛЕМА	ПРИЧИНА	РЕШЕНИЕ
Триммер с леской не запускается.	<ul style="list-style-type: none"> <li>■ Аккумулятор не установлен в триммер.</li> <li>■ Нет электрического контакта между триммером и аккумулятором.</li> <li>■ Аккумулятор разряжен.</li> <li>■ Кнопка блокировки и курковый переключатель не зажаты одновременно.</li> </ul>	<ul style="list-style-type: none"> <li>■ Установите аккумулятор в триммер.</li> <li>■ Извлеките аккумулятор, проверьте контакты и установите его снова.</li> <li>■ Зарядите аккумулятор.</li> <li>■ Нажмите кнопку блокировки и удерживайте ее, затем зажмите курковый переключатель, чтобы включить триммер.</li> </ul>
Триммер с леской остановился во время работы.	<ul style="list-style-type: none"> <li>■ Щиток не установлен на триммер, в результате чего леска стала очень длинной, и двигатель перегрелся.</li> <li>■ Используется слишком толстая режущая леска.</li> <li>■ Вал двигателя и головка триммера забились травой.</li> <li>■ Двигатель перегружен.</li> <li>■ Аккумулятор или триммер перегрелись.</li> <li>■ Аккумулятор не подключен к устройству.</li> <li>■ Аккумулятор разряжен.</li> </ul>	<ul style="list-style-type: none"> <li>■ Извлеките аккумулятор и установите щиток на триммер.</li> <li>■ Используйте рекомендуемую нейлоновую режущую леску диаметром не более 2,4 мм.</li> <li>■ Выключите триммер, извлеките аккумулятор и удалите траву из вала двигателя и головки триммера.</li> <li>■ Поднимите режущую головку над травой. Двигатель начнет работать снова, как только нагрузка уменьшится. Во время скашивания перемещайте головку триммера в траву и из нее, срезая не более 20 см длины за раз.</li> <li>■ Дайте аккумулятору или триммеру остыть, пока температура не упадет ниже 67 °С.</li> <li>■ Установите аккумулятор.</li> <li>■ Зарядите аккумулятор.</li> </ul>

ПРОБЛЕМА	ПРИЧИНА	РЕШЕНИЕ
Из головки триммера не вытягивается леска.	<ul style="list-style-type: none"> <li>■ Вал двигателя и головка триммера забились травой.</li> <li>■ Недостаточно лески в катушке.</li> <li>■ Головка триммера загрязнена.</li> <li>■ Леска запуталась в катушке.</li> <li>■ Леска слишком короткая.</li> </ul>	<ul style="list-style-type: none"> <li>■ Выключите триммер, извлеките аккумулятор и очистите вал двигателя и головку триммера.</li> <li>■ Извлеките аккумулятор и замените режущую леску в соответствии с инструкциями в разделе «ЗАМЕНА ЛЕСКИ» данного руководства.</li> <li>■ Извлеките аккумулятор и очистите головку триммера.</li> <li>■ Извлеките аккумулятор, извлеките леску из головки триммера и намотайте ее заново в соответствии с инструкциями в разделе «УСТАНОВКА ЛЕСКИ» данного руководства.</li> <li>■ Извлеките аккумулятор и вручную вытяните леску, нажимая на фиксатор катушки и освобождая головку триммера.</li> </ul>
Трава наматалась на головку триммера и корпус двигателя.	<ul style="list-style-type: none"> <li>■ Стрижка высокой травы на уровне земли.</li> </ul>	<ul style="list-style-type: none"> <li>■ Скашивайте высокую траву сверху вниз и срезайте не более 20 см за один раз, чтобы предотвратить подобные ситуации.</li> </ul>
Трещины на головке триммера или нижней крышке привели к ослаблению верхней крышки.	<ul style="list-style-type: none"> <li>■ Головка триммера изношена.</li> </ul>	<ul style="list-style-type: none"> <li>■ Немедленно выполните замену головки триммера при помощи квалифицированного специалиста.</li> </ul>

## ГАРАНТИЯ

### ГАРАНТИЙНАЯ ПОЛИТИКА EGO

Посетите веб-сайт [egopowerplus.com](http://egopowerplus.com), чтобы ознакомиться со всеми условиями и сроками гарантийной политики EGO.

## PRZECZYTAJ WSZYSTKIE INSTRUKCJE!



PRZECZYTAJ INSTRUKCJĘ OBSŁUGI

**⚠ Ryzyko szczątkowe!** Osoby z urządzeniami elektronicznymi, takimi jak rozruszniki serca, powinny przed użyciem produktu skonsultować się ze swoim(i) lekarzem/-ami. Używanie urządzeń elektrycznych blisko rozrusznika serca może spowodować zakłócenia lub uszkodzić rozrusznik.

**⚠ OSTRZEŻENIE:** Aby zagwarantować bezpieczeństwo i niezawodność, wszystkie naprawy i wymiany części powinny być wykonywane przez wykwalifikowanych techników serwisu.

## SYMBOLE BEZPIECZEŃSTWA

Celem symboli bezpieczeństwa jest zwrócenie uwagi użytkownika na możliwe zagrożenia. Symbole bezpieczeństwa i objaśnienia do nich zasługują na to, by je uważnie przestudiować i zrozumieć. Symbole bezpieczeństwa nie eliminują same z siebie jakichkolwiek zagrożeń. Podawane w nich instrukcje i ostrzeżenia nie zastępują odpowiednich środków zapobiegania wypadkom.

**⚠ OSTRZEŻENIE:** Przed użyciem narzędzia prosimy przeczytać i zrozumieć wszystkie instrukcje dotyczące bezpieczeństwa podane w podręczniku użytkownika, łącznie z wszystkimi symbolami ostrzegawczymi takimi jak „NIEBEZPIECZEŃSTWO”, „OSTRZEŻENIE” i „UWAGA”. Niestosowanie się do wszystkich podanych niżej instrukcji może doprowadzić do porażenia prądem, pożaru i/lub poważnych obrażeń.

## ZNACZENIE SYMBOLI

**SYMBOL OSTRZEGAWCZY:** Oznacza **NIEBEZPIECZEŃSTWO, OSTRZEŻENIE lub PRZESTROGĘ.** Może być używany razem z innymi symbolami lub piktogramami.



**⚠ OSTRZEŻENIE:** Praca elektronicznymi urządzeniami może spowodować wyrzucenie ciał obcych w oczy użytkownika, co może doprowadzić do poważnych urazów oczu. Przed rozpoczęciem pracy elektronicznymi urządzeniami należy zawsze założyć gogle ochronne lub okulary z osłonami bocznymi, a w stosownych przypadkach także pełną

osłonę na twarz. Zalecamy nakładanie na zwykłe okulary maski zabezpieczającej o szerokim polu widzenia lub stosowanie standardowych okularów zabezpieczających z osłonami bocznymi.

## INSTRUKCJE DOTYCZĄCE BEZPIECZEŃSTWA

Na tej stronie pokazano i opisano symbole bezpieczeństwa, które mogą występować na produkcie. Przed podjęciem próby złożenia i użycia urządzenia należy przeczytać i zrozumieć wszystkie instrukcje dotyczące urządzenia oraz zastosować się do nich.

	Ostrzeżenie dotyczące bezpieczeństwa	Wskazuje na potencjalne ryzyko urazów ciała.
	Przeczytaj instrukcję operatora	Aby zmniejszyć ryzyko urazów, użytkownik musi przeczytać i zrozumieć instrukcję przed rozpoczęciem korzystania z produktu.
	Noś okulary ochronne	Podczas pracy urządzeniem należy zawsze nosić ochronniki słuchu.
	Noś ochronniki słuchu	Podczas pracy urządzeniem należy zawsze nosić ochronniki słuchu.
	Nie używać ostrza tnącego	Nie montować metalowych lub plastikowych ostrzy tnących.
	Osoby pozostające z daleka	Należy zawsze pilnować, aby inni ludzie i zwierzęta domowe pozostawali w odległości co najmniej 15 m od pracującej podkaszarki.
	Osoby pozostające z daleka	Należy zawsze pilnować, aby inni ludzie i zwierzęta domowe pozostawali w odległości co najmniej 15 m od pracującej podkaszarki.
	Hałas	Poziom ciśnienia akustycznego

	Stopień ochrony przed penetracją	Zabezpieczenie przed zachłapaniem wodą
V	Wolt	Napięcie
mm	Milimetr	Długość lub rozmiar
cm	Centymetr	Długość lub rozmiar
	Prąd stały	Rodzaj lub charakterystyka prądu
$n_0$	Prędkość bez obciążenia	Prędkość obrotowa bez obciążenia
$\text{min}^{-1}$	Na minutę	Obroty na minutę

## WAŻNE INSTRUKCJE DOTYCZĄCE BEZPIECZEŃSTWA

**⚠ OSTRZEŻENIE!** Podczas używania podkaszarek elektrycznych, aby zmniejszyć ryzyko pożaru, porażenia prądem i obrażeń, należy zawsze przestrzegać podstawowych zasad bezpieczeństwa, w tym m.in. zaleceń podanych poniżej:

### PRZECZYTAJ WSZYSTKIE INSTRUKCJE

**⚠ NIEBEZPIECZEŃSTWO!** W odniesieniu do ochrony przed porażeniem prądem nie należy polegać tylko i wyłącznie na izolacji narzędzia. Aby ograniczyć ryzyko porażenia prądem, nigdy nie należy używać narzędzia w pobliżu jakichkolwiek przewodów lub kabli, które mogą być pod napięciem.

**⚠ OSTROŻNIE:** Podczas użytkowania należy nosić odpowiednie indywidualne środki ochrony słuchu. W niektórych sytuacjach i przy długotrwałym użytkowaniu hałas generowany przez narzędzie może przyczynić się do utraty słuchu.

### SZKOLENIE

- Prosimy uważnie przeczytać instrukcję. Należy poznać się z elementami sterującymi i metodami poprawnej obsługi urządzenia.
- Nigdy nie należy pozwalać używać urządzenia osobom nieobeznym z niniejszą instrukcją lub dzieciom. Przepisy lokalne mogą nakładać ograniczenia dotyczące wieku operatora.
- Należy pamiętać, że operator lub użytkownik ponosi odpowiedzialność za wypadki lub zagrożenia dotyczące osób trzecich lub ich własności.

## PRZYGOTOWANIE

- Nigdy nie należy używać urządzenia, gdy w pobliżu znajdują się ludzie (zwłaszcza dzieci) lub zwierzęta domowe.
- W czasie używania urządzenia należy nosić okulary i solidne buty.
- Odległość między maszyną a osobami postronnymi musi wynosić co najmniej 15 metrów.
- Nie należy używać metalowych ostrzy.

## UŻYTKOWANIE

- Urządzenia należy używać tylko przy świetle dziennym lub przy dobrym oświetleniu sztucznym.
- Urządzenia nie należy nigdy używać z uszkodzonymi osłonami lub bez założonych osłon.
- Silnik wolno włączyć dopiero wtedy, gdy ręce i stopy znajdują się z dala od urządzenia tnącego.
- W następujących sytuacjach urządzenie należy zawsze odłączyć od zasilania (tj. wyjąć wtyczkę z gniazdka lub wyjąć starter):
  - za każdym razem, gdy urządzenie zostaje pozostawione bez nadzoru;
  - przed odblokowaniem zablokowanego mechanizmu;
  - przed kontrolą, czyszczeniem lub wykonywaniem prac przy urządzeniu;
  - po uderzeniu w dowolny przedmiot;
  - za każdym razem, gdy urządzenie wpada w nietypowe wibracje.
- Należy uważać na ryzyko skaleczenia stóp i rąk elementem tnącym.
- Otwory wentylacyjne muszą być zawsze drożne.

## KONSERWACJA I PRZECHOWYWANIE

- Przed przystąpieniem do czyszczenia lub prac konserwacyjnych urządzenie należy zawsze odłączyć od zasilania (tj. wyjąć wtyczkę z gniazdka lub wyjąć starter).
- Należy używać wyłącznie części zamiennych i akcesoriów zalecanych przez producenta.
- Urządzenie należy regularnie kontrolować i konserwować. Naprawy urządzenia powinien wykonywać wyłącznie serwisant z odpowiednimi uprawnieniami.
- Gdy urządzenie nie jest używane, należy je przechowywać w miejscu niedostępnym dla dzieci.

## INNE OSTRZEŻENIA DOTYCZĄCE BEZPIECZEŃSTWA

- Należy unikać pracy w niebezpiecznych warunkach
  - Nie używać podkaszarek w miejscach mokrych i zawilgoconych.
- Gdy podkaszarka zostaje pozostawiona bez nadzoru, należy ją zawsze wyłączać i wyjmować z niej akumulator.
- Nie używać w czasie deszczu.
- Należy pracować z dala od dzieci – Wszystkie osoby postronne muszą znajdować się poza strefą pracy.
- Należy dbać o właściwy ubiór – Nie nosić luźnych ubrań ani biżuterii. Mogłyby one zahaczyć o poruszające się części. Do pracy na dworze zaleca się zakładanie gumowych rękawic i solidnego obuwia. Aby zabezpieczyć długie włosy, należy nosić okrycie głowy.
- Należy stosować okulary ochronne – podczas używania narzędzia należy zawsze nosić okulary ochronne.
- Należy używać właściwego narzędzia – Nie używać narzędzia do celów, do których nie jest ono przeznaczone.
- Podkaszarki nie wolno forsować – Narzędzie pracujące z prędkością, do której zostało zaprojektowane, wykona pracę lepiej i z mniejszym ryzykiem obrażeń.
- Nie należy sięgać za daleko – Zawsze należy dbać o utrzymanie równowagi i pewne podparcie nóg.
- Należy być czujnym – Należy patrzeć, co się robi i kierować się zdrowym rozsądkiem. Nie używać podkaszarki, kiedy jest się zmęczonym.
- Nie używać podkaszarki, gdy jest się pod wpływem alkoholu lub narkotyków.
- Osłony zabezpieczające muszą być zawsze założone i sprawne.
- Podkaszarkę należy przechowywać w zamkniętym pomieszczeniu – Na czas, gdy podkaszarka nie jest używana, należy ją przechowywać w suchym pomieszczeniu, pod zamknięciem lub na wysokiej półce, z wyjętym akumulatorem – w miejscu niedostępnym dla dzieci.
- O podkaszarkę należy starannie dbać – Aby uzyskać maksymalną wydajność i zapobiec ryzyku powstania urazów, element tnący musi być czysty. Należy przestrzegać instrukcji dotyczących wymiany akcesoriów. Należy dbać o to, aby uchwyty były suche, czyste i niezaplamione olejem lub smarem.
- Uszkodzone części należy skontrolować – Przed ponownym użyciem uszkodzonej podkaszarki, osłony lub części, należy dokładnie sprawdzić, czy narzędzie lub element będą działały właściwie i zgodnie z przeznaczeniem. Należy kontrolować, czy części ruchome są dobrze do siebie dopasowane, czy swobodnie się poruszają, czy nie są pęknięte lub uszkodzone i czy są właściwie zamontowane. Należy też kontrolować wszystkie inne czynniki, które mogłyby wpływać na ich działanie. O ile w instrukcji nie zastrzeżono inaczej, uszkodzona osłona lub inna część musi zostać odpowiednio naprawiona lub wymieniona przez autoryzowane centrum serwisowe.
- Przed każdym użyciem narzędzia należy uprzątnąć teren pracy. Należy usunąć wszystkie przedmioty takie jak kamienie, potłuczone szkło, gwoździe, kawałki drutu lub sznurka itp., które mogą zostać wyrzucone w powietrze lub mogą zaplątać się w końcówkę tnącą. Osoby postronne i zwierzęta domowe muszą znajdować się w odległości co najmniej 15 m.
- Przed rozpoczęciem pracy urządzeniem oraz po każdym uderzeniu w przeszkodę, urządzenie należy sprawdzić pod kątem oznak uszkodzeń, a w razie potrzeby naprawić.
- W czasie pracy podkaszarkę należy zawsze mocno trzymać oburącz. Palce i kciuki należy zaciskać na uchwytach.
- Należy unikać przypadkowego włączenia – Nie należy nosić narzędzia z palcem na przełączniku wł./wyl.
- Nie należy używać podkaszarki w strefach zagrożenia wybuchem lub w miejscach, w których występują opary benzyny. Silniki w tego typu urządzeniach zazwyczaj generują iskry, od których mogą się zapalić opary.
- Uszkodzenie podkaszarki – Jeśli urządzenie uderzy w jakąś przeszkodę lub żyłka podkaszarki zaplącze się w coś, należy natychmiast wyłączyć narzędzie, wyjąć z niego akumulator, sprawdzić, czy nie ma uszkodzeń, a jeśli są, wówczas naprawić je przed podjęciem próby dalszego użytkowania. Nie należy używać urządzenia z uszkodzoną osłoną lub szpulą.
- Jeśli urządzenie zacznie nienormalnie wibrować, należy wyłączyć silnik, wyjąć akumulator z podkaszarki i natychmiast sprawdzić, co jest przyczyną. Wibracje są na ogół sygnałem ostrzegającym o problemach. Poluzowana głowica może wibrować, pęknąć, rozlecieć się lub opaść z podkaszarki, co może doprowadzić do poważnych lub śmiertelnych obrażeń. Należy upewnić się, że końcówka tnąca jest poprawnie zamocowana. Jeżeli po zamocowaniu głowica tnąca obluzuje się, należy ją natychmiast wymienić. Nigdy nie należy używać podkaszarki z poluzowaną głowicą tnącą.



- Pękniętą, uszkodzoną i zużytą głowicę tnącą należy natychmiast wymienić, nawet jeśli uszkodzenie polega tylko na spękaniu powierzchni elementu. Tego typu końcówki mogą rozpaść się przy dużej prędkości i spowodować poważne obrażenia lub śmierć.
- W czasie użytkowania końcówkę tnącą należy sprawdzać w regularnych odstępach czasu. W przypadku zauważalnej zmiany w sposobie koszenia kontrolę należy przeprowadzić natychmiast.
- Do używania w tym narzędziu przeznaczone są wyłącznie polimerowe żyłki do podkaszarek i akcesoria EGO™. Chociaż niektóre akcesoria innych producentów da się zamontować w podkaszarce EGO™, to jednak ich używanie może być bardzo niebezpieczne i/lub może doprowadzić do uszkodzenia narzędzia.
- Aby ograniczyć ryzyko ciężkich urazów ciała, nigdy nie należy używać w miejsce żyłek nylonowych żyłek wzmocnionych metalem lub drutem lub innymi materiałami. Kawalki drutu mogą odpaść i zostać wyrzucone z dużą prędkością w stronę operatora lub osób postronnych.
- Aby ograniczyć ryzyko urazów spowodowanych utratą kontroli, nigdy nie należy pracować na drabinie lub innych niebezpiecznych podporach. Końcówki tnące nie wolno nigdy trzymać powyżej pasa.
- W sytuacjach, które nie zostały przewidziane w niniejszej instrukcji należy zachować ostrożność i kierować się własnym zdrowym rozsądkiem. W celu uzyskania pomocy prosimy skontaktować się z centrum serwisowym EGO.
- Akumulatora nie należy ładować na deszczu i miejscach wilgotnych.
- Do urządzenia należy używać wyłącznie ładowarek i akumulatorów marki EGO.
- Akumulatora nie należy otwierać ani uszkadzać. Uwolniony elektrolit jest żrący i może uszkodzić oczy i skórę. W przypadku połknięcia może być toksyczny.
- Z akumulatorami należy obchodzić się ostrożnie. Należy uważać, aby nie zewrzeć wyprowadzeń materiałami przewodzącymi takimi jak pierścionki, bransoletki i klucze. Akumulator lub przewódnik mogą się przegrzać i spowodować oparzenia.
- Podczas serwisowania należy używać wyłącznie części zamiennych EGO™ identycznych z oryginalnymi. Użycie jakichkolwiek innych akcesoriów lub elementów dodatkowych zwiększa ryzyko urazów.
- Narzędzia akumulatorowe nie wymagają podłączenia do kontaktu elektrycznego i dlatego są zawsze gotowe do pracy. Należy więc mieć świadomość możliwych zagrożeń, występujących nawet wtedy, gdy narzędzie nie jest używane. Podczas wykonywania czynności konserwacyjnych lub serwisowych należy zachować ostrożność.
- Nie należy czyścić urządzenia wężem; należy unikać zachlapywania wodą silnika i połączeń elektrycznych.
- Prosimy zachować instrukcję. Zachęcamy do częstego korzystania z niej. Instrukcja może też posłużyć do przeszkolenia innych osób, które będą używały narzędzia. Jeśli narzędzie zostanie komuś pożyczone, osobie tej należy również udostępnić niniejszą instrukcję, aby zapobiec niewłaściwemu użytkowaniu i możliwemu urazom.
- W czasie używania maszyny należy nosić solidne obuwie i długie spodnie.
- Na pochyłościach należy zawsze dbać o zachowanie równowagi; należy chodzić, a nie biegać.

## INSTRUKCJI NIE NALEŻY WYRZUCAĆ

AKUMULATOR	ŁADOWARKA
BA1120E, BA1400, BA2240E BA2800, BA3360, BA4200 BA1400T, BA2800T, BA4200T	CH2100E, CH5500E

- Przed użyciem akumulator należy wyjąć z urządzenia.
- Akumulator należy zutilizować w sposób bezpieczny.
- Akumulatorów nie należy wrzucać do ognia. Ognia mogą wybuchnąć. W celu zapoznania się z ewentualnymi specjalnymi rozporządzeniami dotyczącymi utylizacji należy skontaktować się z władzami lokalnymi.

## SPECYFIKACJA

Napięcie	56 V $\overline{\text{---}}$	
Prędkość bez obciążenia	5000/6000 min <sup>-1</sup>	
Mechanizm tnący	Głowica-uderzak	
Typ żyłki do koszenia	Żyłka nylonowa 2,4 mm	
Szerokość koszenia	38 cm	
Waga (bez akumulatora)	4,21 Kg	
Zmierzony poziom mocy akustycznej L <sub>WA</sub>	94,3 dB(A) K=1,37 dB(A)	
Poziom ciśnienia akustycznego na wysokości ucha operatora L <sub>PA</sub>	82,6 dB(A) K=3 dB(A)	
Gwarantowany poziom mocy akustycznej L <sub>WA</sub> (zgodnie z dyrektywą 2000/14/WE)	96 dB(A)	
Drgania a <sub>h</sub>	Uchwyt tylny	3,97 m/s <sup>2</sup> K=1,5 m/s <sup>2</sup>
	Przedni uchwyt pomocniczy	2,78 m/s <sup>2</sup> K=1,5 m/s <sup>2</sup>

- Pasek naramienny
- Klucz wielofunkcyjny
- Klucz imbusowy
- Głowica podkaszarki (głowica-uderzak)
- Żyłka tnąca
- Zaczep odblokowujący
- Ostrze do obcinania żyłki
- Oslona
- Mechanizm odłączania
- Syłki elektryczne
- Zatrzask
- Gumowa nakładka zabezpieczająca
- Przycisk odblokowujący akumulator

## MONTAŻ

**▲ OSTRZEŻENIE:** W przypadku braku lub uszkodzenia którejś z części nie należy uruchamiać urządzenia aż do momentu wymiany lub naprawy części. Używanie urządzenia z uszkodzonymi lub brakującymi częściami może doprowadzić do poważnych urazów ciała.

**▲ OSTRZEŻENIE:** Nie należy próbować przerabiać urządzenia lub tworzyć akcesoriów, które nie są zalecane do używania w podkaszarce. Wszelkie tego typu zmiany lub modyfikacje są niedozwolone i mogą prowadzić do niebezpiecznych sytuacji oraz poważnych urazów ciała.

**▲ OSTRZEŻENIE:** Aby zapobiec przypadkowemu włączeniu, które mogłoby spowodować urazy ciała, na czas mocowania części z narzędzia należy zawsze wyjmować akumulator.

## MONTAŻ OSŁONY

**▲ OSTRZEŻENIE:** Podczas zakładania lub wymieniania osłony należy zawsze mieć założone rękawice. Należy uważać na ostrze na osłonie – ryzyko skaleczenia dłoni.

**▲ OSTRZEŻENIE:** Nigdy nie należy włączać narzędzia bez mocno założonej osłony. Osłona musi być zawsze założona na narzędzie, aby chronić użytkownika! Jeśli osłona jest założona, nie należy nigdy próbować jej zdejmować lub regulować. Jeśli potrzebna jest wymiana, powinien ją przeprowadzić wykwalifikowany technik!

- Odkręcić i wyjąć dwie śruby z osłony (Rys. B).
- Dopasować otwory mocujące do otworów montażowych i przykręcić osłonę na trzonku dwiema śrubami z dwiema podkładkami sprężynującymi (Rys. C).

## PL

## LISTA ELEMENTÓW W OPAKOWANIU

NAZWY CZĘŚCI	ILOŚĆ
Podkaszarka	1
Oslona	1
Przedni uchwyt pomocniczy – zestaw	1
Klucz imbusowy	1
Klucz wielofunkcyjny	1
Pasek naramienny	1
Instrukcja obsługi	1

## OPIS

### ZAPOZNANIE SIĘ Z PODKASZARKĄ (Rys. A)

- Pierścień progowy
- Spust
- Uchwyt tylny
- Wlot powietrza
- Przycisk odblokowujący
- Przełącznik prędkości duża/mala
- Zaczep na pasek naramienny
- Regulowany przedni uchwyt pomocniczy

**POZNÁMKA:** Zkontrolujte, zda je kryt upevněn podle obr. B a C, obrácené upevnění představuje vysoké riziko!

## MONTÁŽ A NASTAVENÍ PŘEDNÍ POMOČNÉ RUKOJETI

1. Uvolněte zajišťovací tyč v přední zajišťovací rukojeti a odstraňte zajišťovací tyč a křídlovou matici z přední pomocné rukojeti (obr. D).

Popis dílů viz obr. D níže:

D-1	zajišťovací tyč	D-3	Přední Pomocná rukojeť
D-2	Upínací blok	D-4	Křídlová matice

2. Zatlačte přední pomocnou rukojeť na hřídel (obr. E).
3. Vložte upínací blok do slotu rukojeti (obr. F).
4. Namontujte zajišťovací tyč a přitáhněte křídlovou matici. Ujistěte se, že přední pomocná rukojeť je vzhůru a směřuje k horní části zadní rukojeti (obr. G).
5. Upravte přední pomocnou rukojeť mezi prahový kroužek a štítek tak, aby přední rameno bylo při používání rovné (obr. H).
6. Zajistěte páčku zajišťovací tyče. (obr. I).

**POZNÁMKA:** Přední pomocná rukojeť musí být natočena vzhůru tak, aby směřovala k horní části zadní rukojeti.

**VAROVÁNÍ:** Přední pomocnou rukojeť upevňujte pouze mezi prahovým kroužkem a štítkem na hřídle.

**VAROVÁNÍ:** Nářadí nelze používat bez bezpečně upevněné přední pomocné rukojeti.

## MONTÁŽ RAMENNÍHO POPRUHU

Stlačte háček popruhu pro otevření a připojte ho na poukto ramenního popruhu (obr. J).

## OBSLUHA

**VAROVÁNÍ:** Dbejte, abyste se po seznámení s výrobkem nestali neopatrní. Nezapomínejte, že stačí chvíle

**VAROVÁNÍ:** Při práci s elektrickým nářadím vždy noste ochranné brýle nebo ochranné brýle s bočními kryty a používejte ochranu sluchu. Pokud tak neučiníte, může dojít k vyvrstvení předmětu do očí, nebo případně jiným vážným úrazům.

**VAROVÁNÍ:** Nepoužívejte nástavce nebo příslušenství, které nedoporučuje výrobce tohoto výrobku. Použití nedoporučených nástavců a příslušenství může vést k vážnému úrazu.

**VAROVÁNÍ:** Před servisem, čištěním, výměnou nástavců nebo odstraněním materiálu vyjměte akumulátor z nářadí, aby nedošlo k vážnému úrazu.

Výrobek lze použít k následujícím účelům:

**Zarovnání:** slouží k odstranění trávy a plevele u zdí, plotů, stromů a obrubníků.

**Sekání:** slouží k sekání trávy, která je pro běžnou sekačku obtížně dostupná.

**POZNÁMKA:** Nářadí se smí používat pouze k vyhrazenému účelu. Jakékoliv jiné použití, např. vysekávání rohů, se považuje za nesprávné.

## INSTALACE/VYJMUTÍ AKUMULÁTORU

**Před prvním použitím plně nabijte akumulátor.**

### Instalace

Srovnajte žebrování akumulátoru s instalačními drážkami a zatlačte na akumulátor, dokud neuslyšíte „cvaknutí“ (obr. K).

### Vyjmutí

Stiskněte tlačítko pro uvolnění akumulátoru a vytáhněte jej, jak je to znázorněno na obr. L.

Obr. L, následuje popis dílů:

L-1	Tlačítko pro uvolnění akumulátoru
-----	-----------------------------------

## JAK DRŽET STRUNOVOU SEKAČKU

**VAROVÁNÍ:** Pro práci s tímto nářadím se vhodně oblékněte, abyste snížili riziko úrazu. Nenoste volný oděv ani šperky. Používejte ochranu očí a chrániče sluchu. Noste odolné, dlouhé kalhoty, pevné boty a rukavice. Nenoste krátké kalhoty, sandály ani nechoďte bosí.

Než začnete, postavte se do pracovní polohy a zkontrolujte ochranu očí, správný oděv, vyrovnaný postoj a nataženou paži, která drží přední pomocnou rukojeť.

**POZNÁMKA:** Strunová hlava je rovnoběžná se zemí ve správné žací vzdálenosti, aniž by se musela obsluha překlínit (obr. N).

Pro bezpečnější a lepší provoz si dejte ramenní popruh přes rameno, obr. N. Nastavte ramenní popruh do pohodlné provozní polohy. Držte strunovou sekačku oběma rukama: Jednu ruku na zadní rukojeti a druhou ruku na přední pomocné rukojeti.

Existují dva způsoby, jak uvolnit popruh: Sundejte ho ze svého ramene přímo (obr. O), nebo stiskněte háček popruhu a sundejte ho z poukta ramenního popruhu upevněného na hřídle (obr. P).

**⚠ VAROVÁNÍ:** Ramenní popruh je vybaven rychle vypínacím mechanismem pro nebezpečné situace. Dojde-li k nouzové situaci, okamžitě si odepněte popruh ze svého ramene bez ohledu na to, jakým způsobem je popruh připnutý.

## SPUŠTĚNÍ/VYPNUTÍ STRUNOVÉ SEKAČKY (obr. M)

### Spuštění

Stlačte páčku pojistky a stiskněte spoušť. Odlišný tlak na spouštěč způsobí proměnlivou rychlost otáčení žací struny. Vyšší intenzita, vyšší rychlost.

### Zastavení

Uvolněte spoušť.

**POZNÁMKA:** Motor se spustí, pouze když jsou tlačítka pojistky a spoušť stisknuty současně.

**⚠ VAROVÁNÍ:** Při přestávce a po skončení práce vždy vyjměte akumulátor ze strunové sekačky.

### Funkce nastavení rychlosti (Obr. M)

Strunová sekačka má dvě rychlosti. Poloha „1“ je určena pro nízké rychlosti, zatímco poloha „2“ pro vysoké rychlosti. Stisknete nebo vytáhnete přepínač vysoké/nízké rychlosti a zvolte si vhodnou rychlost během provozu.

Obr. M, následuje popis dílů:

M-1	Přepínač vysoké/nízké rychlosti
M-2	Blokovací tlačítko
M-3	Spouštěč

## POUŽITÍ STRUNOVÉ SEKAČKY

**⚠ VAROVÁNÍ:** Aby nedošlo k vážnému úrazu, používejte vždy při práci s tímto nářadím ochranné brýle. V prašném prostředí používejte ochrannou masku nebo protiprachový respirátor.

Před každým použitím m vyčistěte prostor, kde budete stříhat. Odstraňte veškeré předměty, jako jsou např. kameny, rozbité sklo, hřebíky, dráty nebo provazy, které mohou být vrženy, nebo se mohou do žacího nástavce zaplést. Z prostoru vyzehňte děti, ostatní osoby a domácí zvířata. Minimální bezpečná vzdálenost pro děti, ostatní osoby a domácí zvířata je 15 m; stále však hrozí riziko zasažení ostatních osob vymrštěnými předměty. Ostatním osobám doporučte použití ochrany očí. Pokud se k vám někdo blíží, okamžitě vypněte motor a žací nástavec.

### Před každým použitím zkontrolujte poškození/opotřebení dílů

Zkontrolujte strunovou hlavu, kryt, přední pomocnou rukojeť a vyměňte díly, které jsou prasklé, zdeformované, ohnuté nebo jinak poškozené.

Vyžínací kotouč na okraj krytu se může časem ztupit. Doporučujeme vyžínací kotouč pravidelně brousit pilníkem, nebo jej vyměnit za nový.

**⚠ VAROVÁNÍ:** Při montáži krytu nebo servisu kotouče vždy používejte rukavice. Pozor na hranu krytu, chraňte si ruce před pořezáním.

Po každém použití sekačku vyčistěte.

**⚠ UPOZORNĚNÍ:** Překážky ve větracích otvorech zabrání proudění vzduchu do pouzdra motoru, což povede k přehřátí nebo poškození motoru.

- K čištění nářadí používejte pouze neagresivní mýdlo a vlhký hadr. Dbejte, aby do nářadí nepronikla žádná kapalina; žádný díl tohoto nářadí nikdy neponožte do kapaliny.
- Udržujte větrací otvory pouzdra motoru vždy v čistotě.

**⚠ VAROVÁNÍ:** K čištění nůžek nikdy nepoužívejte vodu. K čištění plastových dílů nepoužívejte rozpouštědla. Většina plastů je náchylná k poškození různými typy komerčních rozpouštědel. K odstranění nečistot, prachu, oleje, maziva atd. použijte čistý hadr.

## NASTAVENÍ DÉLKY ŽACÍ STRUNY

Strunová hlava umožňuje obsluze více vysunout žací strunu bez zastavení motoru. Když se struna roztrpí nebo rozedře, lze během práce se sekačkou vysunout další část struny lehkým poklepáním hlavy sekačky o zem (Obr. Q).

**POZNÁMKA:** Vysouvání struny se stává obtížnějším se zkracováním žací struny.

**⚠ VAROVÁNÍ:** Nevýjímajte ani neupravujte sestavu vyžínacího kotouče. Nadměrná délka struny způsobí přehřátí motoru, což může vést k vážnému úrazu.

## VÝMĚNA STRUNY

**POZNÁMKA:** Vždy používejte doporučenou nylonovou strunu s průměrem, který nepřesahuje 2,4 mm. Použití jiné struny, než je uvedeno, může způsobit přehřátí nebo poškození strunové sekačky.

**⚠ VAROVÁNÍ:** Nikdy nepoužívejte kovem zesílené struny, dráty, nebo lanka atd. Mohou se zlomit a stát se nebezpečnými projektily.

1. Vyjměte akumulátor.
2. Odstraňte zbývající strunu, pokud je to nutné.
3. Ustříhnete strunu v délce 4 m a vložte ji do otvoru uvnitř oka (obr. R). Přetlačte a vytáhnete strunu z druhé strany, dokud se na obou stranách civky neobjeví stejná délka struny.

4. Stiskněte při otáčení sestavy spodního krytu ve směru šipky pro navití struny na cívku, dokud na každé straně nezůstane přibližně 14 cm struny (Obr. S).
5. Zatlačte sestavu spodního krytu dolů při vytahování strun pro ruční vysunutí struny a zkontrolování správné montáže strunové hlavy.

Když se žací struna utrhne ve výstupu struny nebo žací struna není uvolněna, když se poklepe na strunovou hlavu, postupujte podle následujících kroků:

1. Stiskněte uvolňovací západky na horním krytu a vytáhněte sestavu spodního krytu tahem směrem ven (Obr. T a U).
2. Vytáhněte strunu z cívky.
3. Jednou rukou přidrže sestavu spodního krytu, druhou rukou uchopte sestavu spodního krytu a zarovnejte západky na horním krytu s otvory v sestavě spodního krytu (obr. V); pomocí dlaně zatlačte na sestavu spodního krytu, dokud západky nezapadnou do horního krytu.
4. Postupujte podle pokynů v části „VÝMĚNA STRUNY“ pro natáhnutí nové struny.

## ÚDRŽBA

**VAROVÁNÍ:** Při opravách používejte pouze originální náhradní díly. Pravidelně stroj kontrolujte a udržujte. Z důvodu bezpečnosti by měl všechny opravy provádět kvalifikovaný servisní technik.

**VAROVÁNÍ:** Akumulátorové nářadí se nemusí zapojovat do elektrické zásuvky, proto jsou vždy v provozním stavu. Aby nedošlo k vážnému úrazu, věnujte zvýšenou pozornost a péči údržbě, servisu, výměně žacího nebo jiného nástavce.

**VAROVÁNÍ:** Aby nedošlo k vážnému úrazu vyjměte před servisem, čištěním, výměnou nástavců nebo odstraněním materiálu nářadí akumulátor.

## ČIŠTĚNÍ NÁŘADÍ

Nářadí čistěte vlhkým hadrem s neagresivním čisticím prostředkem.

Na plastové pouzdro nebo rukojeť nepoužívejte žádné silné čisticí prostředky. Mohou být poškozeny některými aromatickými oleji, jako např. borovicovým nebo citronovým a rozpouštědly, jako např. petrolej. Vlhkost může rovněž způsobit riziko úrazu elektrickým proudem. Veškerou vlhkost setřete suchým měkkým hadrem.

K čištění větracích otvorů od nečistot na zadní části pouzdra použijte malý kartáč nebo proud vzduchu z malého vysavače.

## MAZÁNÍ PŘEVODOVKY

Převody v převodové skříně se musí pravidelně mazat převodovým tukem. Zkontrolujte hladinu převodového maziva v převodovce přibližně každých 50 hodin provozu odstraněním těsnícího šroubu na boku skříně.

Pokud na bocích převodovky není vidět žádný tuk, postupujte podle pokynů pro naplnění převodovým mazivem až do 3/4 kapacity. Nezapílejte zcela převody.

1. Přidrže strunovou sekačku na boku, aby těsnící šroub směřoval nahoru (obr. W).
2. Pomocí dodaného multifunkčního klíče povolte a odstraňte těsnící šroub.
3. Použijte mazací stříkačku (není součástí dodávky) pro zavedení maziva do otvoru pro šroub; nepřekročte 3/4 kapacity.
4. Po naplnění utáhněte těsnící šroub.

## SKLADOVÁNÍ NÁŘADÍ

- Pokud strunovou sekačku nepoužíváte, vyjměte z ní akumulátor.
- Nářadí před uskladněním řádně vyčistěte.
- Nářadí skladujte na suchém, dobře větraném, uzamčeném nebo vyvýšeném místě mimo dosah dětí. Nářadí neskladujte v blízkosti hnojiv, benzínu nebo jiných chemických látek.

## Ochrana životního prostředí



Urządzeń elektrycznych, ładowarki do akumulatorów oraz akumulatorów/baterii akumulatorowych nie należy wyrzucać do zwykłych zmieszanych śmieci domowych! Zgodnie z dyrektywami Wspólnoty Europejskiej, odpowiednio nr 2012/19/WE i 2006/66/WE, urządzenia elektryczne i elektroniczne nienadające się dłużej do użycia oraz uszkodzone lub zużyte akumulatory/ baterie trzeba zbierać oddzielnie.

Wyrzucanie urządzeń elektrycznych na wysypisko grozi wyciekami niebezpiecznych substancji do wód gruntowych i przedostaniem się ich do łańcucha pokarmowego, ze szkodą dla zdrowia i jakości życia użytkownika.

## ODSTRAŇOVÁNÍ ZÁVAD

PROBLÉM	PŘÍČINA	ŘEŠENÍ
Strunová sekačka se nespustí.	<ul style="list-style-type: none"> <li>■ K sekačce není připojen akumulátor.</li> <li>■ Bez elektrického kontaktu mezi sekačkou a akumulátorem.</li> <li>■ Akumulátor je vybitý.</li> <li>■ Blokovací tlačítko a spoušť nejsou stisknuté současně.</li> </ul>	<ul style="list-style-type: none"> <li>■ Nasaďte akumulátor na sekačku.</li> <li>■ Vyměte akumulátor, zkontrolujte póly a znovu jej nainstalujte.</li> <li>■ Nabijte akumulátor.</li> <li>■ Stiskněte blokovací tlačítko, podržte jej a stiskněte spínač pro zapnutí strunové sekačky.</li> </ul>
Při sekání se strunová sekačka zastaví.	<ul style="list-style-type: none"> <li>■ Na sekačce není namontovaný kryt, což má za následek příliš dlouhou žací strunu a přetížení motoru.</li> <li>■ Je použita těžká žací struna.</li> <li>■ Hřídel motoru nebo strunová hlava jsou zablokované trávou.</li> <li>■ Motor je přetížen.</li> <li>■ Akumulátor nebo strunová sekačka je příliš horká.</li> <li>■ Akumulátor je odpojený od nářadí.</li> <li>■ Akumulátor je vybitý.</li> </ul>	<ul style="list-style-type: none"> <li>■ Vyměte ze sekačky akumulátor a namontujte kryt.</li> <li>■ Používejte doporučenou nylonovou žací strunu s max. průměrem 2,4 mm.</li> <li>■ Zastavte sekačku, vyjměte akumulátor a odstraňte trávu z hřídele motoru a strunové hlavy.</li> <li>■ Vytáhněte strunovou hlavu z trávy. Motor začne pracovat, jakmile odstraníte zatížení. Při sekání pohybuje strunovou hlavou v sekané trávě tam a zpět, délka pohybu by neměla přesáhnout délku 20 cm v jednom tahu.</li> <li>■ Nechejte akumulátor nebo sekačku zchladnout, dokud teplota neklesne pod 67 °C.</li> <li>■ Znovu nainstalujte akumulátor.</li> <li>■ Nabijte akumulátor.</li> </ul>
Ze strunové hlavy se nevysouvá struna.	<ul style="list-style-type: none"> <li>■ Hřídel motoru nebo strunová hlava jsou zablokované trávou.</li> <li>■ Na cívce není struna v dostatečné délce.</li> <li>■ Strunová hlava je znečištěná.</li> <li>■ Struna se na cívce zamotala.</li> <li>■ Struna je příliš krátká.</li> </ul>	<ul style="list-style-type: none"> <li>■ Zastavte sekačku, vyjměte akumulátor a očistěte hřídel motoru a strunovou hlavu.</li> <li>■ Vyměte baterii a vyměňte strunu; dodržujte pokyny uvedené v části „VYMĚNA STRUNY“ v tomto návodu.</li> <li>■ Vyměte akumulátor a očistěte strunovou hlavu.</li> <li>■ Vyměte akumulátor, vymotejte strunu ze strunové hlavy a znovu ji naviňte; dodržujte pokyny uvedené v části „NATÁHNUTÍ NOVÉ STRUNY“ v tomto návodu.</li> <li>■ Vyměte akumulátor, zatáhněte ručně za struny a současně stiskněte a uvolněte strunovou hlavu.</li> </ul>

PROBLÉM	PŘÍČINA	ŘEŠENÍ
Kolem strunové hlavy a pouzdra motoru se namotala tráva.	<ul style="list-style-type: none"><li>▪ Sekání vysoké trávy na úrovni terénu.</li></ul>	<ul style="list-style-type: none"><li>▪ Vysokou trávu sekejte shora dolů, pokaždé ne více než 20 cm, aby nedocházelo k zamotání.</li></ul>
Praskliny na strunové hlavě nebo sestava spodního krytu uvolněná z horního krytu.	<ul style="list-style-type: none"><li>▪ Strunová hlava je opotřebovaná.</li></ul>	<ul style="list-style-type: none"><li>▪ Nechte ihned vyměnit strunovou hlavu kvalifikovaným servisním technikem.</li></ul>

## ZÁRUKA

### ZÁRUKA SPOLEČNOSTI EGO

Úplné záruční podmínky společnosti EGO naleznete na webové stránce [egopowerplus.com](http://egopowerplus.com).

## PŘEČTĚTE SI VŠECHNY POKYNY!



PŘEČTĚTE SI NÁVOD K OBSLUZE

**⚠ Zbytkové riziko!** Lidé s elektronickými přístroji, jako jsou např. kardiostimulátory, by se měli před použitím toho výrobku poradit se svým lékařem. Použití elektrického zařízení v těsné blízkosti kardiostimulátoru může způsobit narušení činnosti nebo poruchu kardiostimulátoru.

**⚠ VAROVÁNÍ:** Z důvodu bezpečnosti by měl všechny opravy a výměny provádět kvalifikovaný servisní technik.

## BEZPEČNOSTNÍ SYMBOLY

Účelem bezpečnostních symbolů je upoutat vaši pozornost k případným nebezpečím. Bezpečnostní symboly a jejich vysvětlení vyžadují vaši zvýšenou pozornost a porozumění. Výstražné symboly samy o sobě nevyklučují žádné nebezpečí. Pokyny a varování nejsou náhradou vhodných opatření pro prevenci úrazů.

CZ

**⚠ VAROVÁNÍ:** Před použitím tohoto nástroje si přečtěte a seznáme se se všemi bezpečnostními pokyny v tomto návodu k obsluze včetně veškerých výstražných symbolů, jako např. „NEBEZPEČÍ“, „VAROVÁNÍ“ nebo „UPOZORNĚNÍ“. Nedodržení níže uvedených pokynů může mít za následek úraz elektrickým proudem, požár anebo vážná poranění osob.

## VÝZNAM SYMBOLŮ

**BEZPEČNOSTNÍ VÝSTRAŽNÉ SYMBOLY:** Upozorňují na **NEBEZPEČÍ**, **VAROVÁNÍ**, nebo **UPOZORNĚNÍ**. Lze je používat ve spojení s jinými symboly nebo piktogramy.



**⚠ UPOZORNĚNÍ:** Při použití elektrického nářadí může dojít k vymrštění cizích těles do očí, což může způsobit jejich závažné poškození. Před použitím elektrického nářadí si vždy nasadte ochranné brýle, ochranné brýle s bočními kryty nebo v případě potřeby obličejový štít. Na brýle nebo standardní ochranné brýle s bočními kryty doporučujeme použít ochrannou masku

## BEZPEČNOSTNÍ POKYNY

Na této stránce jsou zobrazeny a popsány bezpečnostní symboly, které se mohou objevit na výrobku. Před montáží a provozem si přečtěte, seznáme se a dodržujte veškeré pokyny ke stroji.

	Bezpečnostní upozornění	Upozorňuje na možné riziko úrazu.
	Přečtěte si návod k obsluze	Z důvodu snížení rizika úrazu si musí uživatel před použitím tohoto výrobku přečíst a seznámit se s návodem k obsluze.
	Používejte ochranu očí	Při práci s tímto výrobkem vždy používejte chrániče sluchu.
	Používejte chrániče sluchu	Při práci s tímto výrobkem vždy používejte chrániče sluchu.
	Bez žací čepele	Neinstalujte kovové nebo plastové žací čepele
	Udržujte ostatní osoby v bezpečné vzdálenosti	Když strunovou sekačku používáte, udržujte od ostatních osob a domácích zvířat bezpečnou vzdálenost aspoň 15 m.
	Udržujte ostatní osoby v bezpečné vzdálenosti	Když strunovou sekačku používáte, udržujte od ostatních osob a domácích zvířat bezpečnou vzdálenost aspoň 15 m.
	Hlučnost	Hladina akustického tlaku
	Stupeň ochrany před vniknutím	Ochrana před stříkající vodou
V	Voltů	Napětí
mm	Milimetr	Délka nebo velikost
cm	Centimetr	Délka nebo velikost
	Stejnosměrný proud	Druh nebo vlastnosti proudu
$n_0$	Rychlost při chodu naprázdno	Otáčky při chodu naprázdno
min <sup>-1</sup>	Za minutu	Otáčky za minutu



## DŮLEŽITÉ BEZPEČNOSTNÍ POKYNY

**⚠ UPOZORNĚNÍ!** Při používání strunových sekaček je nutné vždy dodržovat základní bezpečnostní opatření pro zamezení rizika požáru, úrazu elektrickým proudem a poranění osob včetně níže uvedeného:

## PŘEČTĚTE SI VŠECHNY POKYNY

**⚠ NEBEZPEČÍ!** Nespoléhejte se na izolaci nářadí proti úrazu elektrickým proudem. Chcete-li snížit riziko usmrcení elektrickým proudem, nikdy nástroj nepoužívejte v blízkosti žádných vodičů nebo kabelů, které mohou vést elektřinu.

**⚠ UPOZORNĚNÍ:** Při práci používejte vhodně chrániče sluchu. Za určitých podmínek a určité době používání může hluk z tohoto výrobku přispět ke ztrátě sluchu.

## ŠKOLENÍ

- Pečlivě si přečtěte tyto pokyny. Seznamte se s ovládacími prvky a správným použitím stroje.
- Osoby, které se neseznámily s těmito pokyny, nebo děti nesmí stroj používat. Místní předpisy mohou omezovat věk obsluhy.
- Nezapomínejte, že je obsluha nebo uživatel zodpovědný za nehody nebo ohrožení jiných osob nebo jejich majetku.

## PŘÍPRAVA

- Stroj nikdy nepoužívejte, pokud jsou v blízkosti osoby, zejména děti, nebo domácí zvířata.
- Při práci se strojem vždy používejte ochranu očí a noste pevnou obuv.
- Vzdálenost mezi stroje a ostatními osobami nesmí být kratší než 15 m.
- Nepoužívejte kovové kotouče

## POUŽITÍ

- Stroj používejte pouze za denního světla nebo při dobrém umělém osvětlení.
- Nikdy stroj nepoužívejte, pokud jsou poškozené kryty nebo štíty, nebo když nejsou instalované.
- Motor zapněte pouze v případě, že jsou ruce a nohy v bezpečné vzdálenosti od řezacího nástroje.
- Stroj vždy odpojte z elektrické sítě (tj. odpojte zástrčku ze zásuvky, nebo vyjměte blokovací zařízení):
  - kdykoliv je stroj bez dozoru;
  - před odstraněním překážky;
  - před kontrolou, čištěním nebo prací na stroje;

- po nárazu do cizího tělesa;
- vždy, když začne stroj abnormálně vibrovat.
- Dávejte pozor na poranění nohou a rukou řezným nástrojem.
- Dbejte, aby větrací otvory byly vždy udržovány v čistotě.

## ÚDRŽBA A SKLADOVÁNÍ

- Před provedením údržby nebo čištění stroj vždy odpojte z elektrické sítě (tj. odpojte zástrčku ze zásuvky, nebo vyjměte blokovací zařízení).
- Používejte pouze náhradní díly a příslušenství doporučené výrobcem.
- Pravidelně stroj kontrolujte a udržujte. Opravu stroje svěťte pouze autorizovanému opraváři.
- Pokud se nepoužívá, skladujte stroj mimo dosah dětí.

## DALŠÍ BEZPEČNOSTNÍ VAROVÁNÍ

- Avoid Vyhněte se nebezpečnému prostředí – nepoužívejte sekačky ve vlhkém nebo mokřem prostředí.
- Pokud je zůstává strunová sekačka bez dozoru, vždy ji vypněte nebo vyjměte akumulátor.
- Nepoužívejte ji v dešti.
- Udržujte děti v bezpečné vzdálenosti – všichni návštěvníci musí dodržovat bezpečnou vzdálenost od pracoviště.
- Vhodně se oblékněte – nenoste volný oděv ani šperky. Mohou se zachytit v pohyblivých částech. Při práci venku doporučujeme použít gumové rukavice a pevné boty. Noste ochrannou pokrývku hlavy, která zakryje dlouhé vlasy.
- Používejte ochranné brýle - při používání stroje vždy používejte ochranné brýle.
- Používejte správný stroj – nepoužívejte sekačku k jiné práci, než ke které je určena.
- Sekačku nepřetěžujte – svou práci bude vykonávat lépe a s nižším rizikem úrazu v rámci parametrů, pro něž byla určena.
- Nepřeceňujte své síly – vždy udržujte pevný postoj a rovnováhu.
- Buďte pozorní – sledujte, co děláte. Buďte soudní. Nepoužívejte sekačku, pokud jste unavení.
- Se sekačkou nepracujte pod vlivem alkoholu nebo jiných návykových látek.
- Veškeré kryty musejí být instalovány na příslušných místech a musejí být v dobrém stavu.

- Sekačku skladujte v interiéru – pokud sekačku nepoužíváte, skladujte ji v interiéru na suchém, vyvýšeném nebo uzamčeném místě s vyjmutým akumulátorem – mimo dosah dětí.
- Sekačku pečlivě udržujte – žací nástavec udržujte v čistotě pro co nelepší výkon a snížení rizika úrazu. Dodržujte pokyny pro výměnu příslušenství. Udržujte rukojeť suché, čisté, bez oleje a maziva.
- Zkontrolujte poškozené díly – před dalším použitím sekačky je nutno každý poškozený kryt nebo část pečlivě zkontrolovat a určit, zda budou fungovat správně a plnit svoji zamýšlenou funkci. Zkontrolujte seřízení pohyblivých částí, spojený pohyblivých částí, poškození částí, sestavení a další podmínky, které mohou ovlivnit jeho provoz. Kryt nebo jiná poškozená část by se měla řádně opravit nebo vyměnit v autorizovaném servisním středisku, pokud není v tomto návodu uvedeno jinak.
- Před každým použitím m vyčistěte prostor, kde budete stříhat. Odstraňte veškeré předměty, jako jsou např. kamery, rozbité sklo, hřebíky, dráty nebo provazy, které mohou být vrženy, nebo se mohou do žacího nástavce zaplést. Dbejte, aby ostatní osoby a domácí zvířata byla ve vzdálenosti aspoň 15 m.
- Před použitím stroje a po případném nárazu zkontrolujte, zda nejeví známky opotřebení nebo poškození, a v případě potřeby jej opravte.
- Při práci sekačku vždy držte pevně s oběma rukama na rukojetích. Prsty a palce obehněte okolo rukojeti.
- Zabraňte neúmyslnému spuštění – nepřenašejte sekačku s prstem na spoušti.
- Sekačku nepoužívejte v hořlavém nebo výbušném prostředí. Motory v těchto zařízeních produkují jiskru, která může zapálit výpary.
- Poškození sekačky – pokud narazíte sekačkou do cizího tělesa, nebo se zaplete, okamžitě strunovou sekačku vypněte, vyjměte akumulátor, zkontrolujte, zda není poškozena a případné poškození opravte před dalším použitím. Nepoužívejte ji s poškozeným krytem nebo cívkou.
- Pokud začne strunová sekačka abnormálně vibrovat, zastavte motor, vyjměte akumulátor a okamžitě vyhledejte příčinu. Vibrace obvykle upozorňují na problém. Uvolněná hlava může vibrovat, prasknout, poškodit se, nebo odpaďnout od sekačky, což může vést k vážnému nebo smrtelnému úrazu. Zkontrolujte, zda je žací nástavec řádně upevněn a v dané pozici. Pokud se hlava uvolní po upevnění v dané pozici, okamžitě ji vyměňte. Nikdy nepoužívejte sekačku s uvolněným žacím nástavcem.
- Prasklou, poškozenou nebo opotřebovanou žací hlavici okamžitě vyměňte, i kdyby se jednalo pouze o povrchové praskliny. Tyto nástavce se mohou rozříznout ve vysoké rychlosti a způsobit vážný nebo smrtelný úraz.
- Žací nástavec kontrolujte v pravidelných intervalech při práci, nebo okamžitě v případě zjevné změny v chodu sekání.
- Používejte výhradně schválené příslušenství pro polymerové žací struny značky EGO™ a struny, které jsou určeny pro použití s tímto nářadím. I když lze na strunovou sekačku značky EGO™ instalovat některé neschválené příslušenství, jeho použití může být velmi nebezpečné anebo může dojít k poškození nástroje.
- Pro snížení rizika vážného úrazu nikdy nepoužívejte drátěné nebo kovem vyztužené struny nebo jiné materiály místo nylonových žacích strun. Kusy drátu se mohou odломit a vymrštít vysokou rychlostí směrem k obsluze nebo ostatním osobám.
- Pro snížení rizika úrazu v důsledku ztráty kontroly nikdy nepracujte na žebříku nebo jiné nestabilní podpoře. Nikdy nedržte žací nástavec nad úroveň pasu.
- Pokud nastane situace, která není popsána v tomto návodu, použijte pečlivě a dobrý úsudek. O pomoc kontaktujte servisní středisko společnosti EGO.
- Akumulátor nenabíjejte v dešti nebo na mokřém místě.
- Používejte pouze akumulátory a nabíječky EGO.

AKUMULÁTOR	NABÍJEČKA
BA1120E, BA1400, BA2240E BA2800, BA3360, BA4200 BA1400T, BA2800T, BA4200T	CH2100E, CH5500E

- TPřed likvidací vyjměte ze zařízení akumulátor.
- Akumulátory likvidujte bezpečným způsobem.
- Akumulátory nevhazujte do ohně. Články mohou vybuchnout. O zvláštních pokynech pro likvidaci se informujte u místních orgánů.
- Akumulátor neotvírejte ani neznehodnocujte. Uniklý elektrolyt je žíravý a může způsobit poškození očí nebo kůže. Při požití může být toxický.
- Při manipulacích s akumulátory dbejte, aby nedošlo ke zkratu akumulátoru vodivými materiály, jako např. prsteny, náramky nebo klíče. Akumulátor nebo vodič se mohou přehřát a způsobit popálení.
- Při opravách používejte pouze originální náhradní díly společnosti EGO™. Použití jiného příslušenství nebo nástavců může zvýšit riziko úrazu.

- Akumulátorové nářadí se nemusí zapojovat do elektrické zásuvky, proto jsou vždy v provozním stavu. Nezapomínejte na možná rizika ani v případě, že je nářadí vypnuté. Dbejte opatrnosti při údržbě.
- Nůžky nemyjte hadicí; dbejte, aby se do motoru a elektrických přípojek nedostala voda.
- Tyto pokyny uschovejte pro budoucí použití. Používejte je často a také k poučení dalších osob, které mohou toto nářadí používat. Pokud nářadí někomu půjčíte, půjčte mu také tento návod k obsluze, aby nedošlo k nesprávnému použití výrobků nebo případně k úrazu.
- Při práci se zařízením vždy noste pevnou obuv a dlouhé kalhoty.
- Ve svahu vždy dbejte na pevný postoj a chodte, nikdy neběhejte.

## TYTO POKYNY USCHOVEJTE PRO BUDOUCÍ POUŽITÍ!

## SPECIFIKACE

Napětí	56 V ---	
Rychlost při chodu naprázdno	5000/6000 min <sup>-1</sup>	
Žací mechanismus	Strunová hlava	
Typ žací struny	2,4mm nylonová vinutá struna	
Šířka sekání	38 cm	
Hmotnost nůžek (bez akumulátoru)	4,21Kg	
Měřená hladina akustického výkonu L <sub>WA</sub>	94,3 dB(A) K=1,37 dB(A)	
Hladina akustického tlaku na sluch obsluhy L <sub>PA</sub>	82,6 dB(A) K=3 dB(A)	
Zaručená úroveň akustického výkonu L <sub>WA</sub> (podle 2000/14/ES)	96 dB(A)	
Vibrace a <sub>n</sub>	Zadní rukojeť	3,97 m/s <sup>2</sup> K=1,5 m/s <sup>2</sup>
	Přední pomocná rukojeť	2,78 m/s <sup>2</sup> K=1,5 m/s <sup>2</sup>

## OBSAH BALENÍ

NÁZEV DÍLU	MNOŽSTVÍ
Strunová sekačka	1
Kryt	1
Sestava přední pomocné rukojeti	1
Imbusový klíč	1

Multifunkční klíč	1
Ramenní popruh	1
Návod k obsluze	1

## POPIS

### SEZNAMTE SE S NAŠÍ STRUNOVOU SEKAČKOU (obr. A)

1. Prahový kroužek
2. Spouštěč
3. Zadní rukojeť
4. Přívod vzduchu
5. Blokovací tlačítko
6. Přepínač vysoké/nízké rychlosti
7. Poutko ramenního popruhu
8. Stavitelná přední pomocná rukojeť
9. Ramenní popruh
10. Multifunkční klíč
11. Imbusový klíč
12. Strunová hlava (Bump Head)
13. Žací struna
14. Uvolňovací západka
15. Struna-Žací čepel
16. Kryt
17. Vysunovací mechanismus
18. Elektrické kontakty
19. Západka
20. Ochranní gumová podložka
21. Tlačítko pro uvolnění akumulátoru

## MONTÁŽ

**⚠ VAROVÁNÍ:** Pokud jsou některé díly poškozené, nebo chybí, nepoužívejte výrobek, dokud se díly nevymění. Použití tohoto výrobku s poškozenými nebo chybějícími díly může vést k vážnému úrazu.

**⚠ VAROVÁNÍ:** Nepokoušejte se výrobek upravovat ani vytvářet příslušenství, které není pro tuto strunovou sekačku doporučeno. Každá taková změna nebo úprava je zneužití a může vést k nebezpečné situaci, která může zapříčinit vážný úraz.

**⚠ VAROVÁNÍ:** Pokud provádíte montáž dílů, vždy vyměňte akumulátor, aby nedošlo k neúmyslnému spuštění, které může způsobit vážný úraz.

## MONTÁŽ KRYTU

**VAROVÁNÍ:** Při montáži nebo výměně krytu vždy používejte rukavice. Pozor na hranu krytu, chraňte si ruce před pořízáním.

**VAROVÁNÍ:** Náradí nikdy nepoužívejte bez řádně nainstalovaného krytu. Kryt musí být vždy na náradí z důvodu ochrany uživatele! Pokud je kryt instalovaný napevno, nikdy se jej nepokoušejte odstranit nebo upravit; pokud je nezbytná výměna, měla by být provedena kvalifikovaným servisním technikem!

1. Povolte a vyjměte čtyři šrouby z krytu (obr. B).
2. Srovnejte upevňovací otvory krytu s montážními otvory a upevněte kryt ke spodní části hřídele s pomocí dvou šroubů se dvěma pružnými podložkami (obr. C).

**POZNÁMKA:** Zkontrolujte, zda je kryt upevněn podle obr. B a C, obrácené upevnění představuje vysoké riziko!

## MONTÁŽ A NASTAVENÍ PŘEDNÍ POMOCNÉ

### RUKOJETI

1. Uvolněte zajišťovací tyč v přední zajišťovací rukojeti a odstraňte zajišťovací tyč a křídlovou matici z přední pomocné rukojeti (obr. D).

Popis dílů viz obr. D níže:

D-1	zajišťovací tyč	D-3	Přední Pomocná rukojeť
D-2	Upínací blok	D-4	Křídlová matice

2. Zatlačte přední pomocnou rukojeť na hřídel (obr. E).
3. Vložte upínací blok do slotu rukojeti (obr. F).
4. Namontujte zajišťovací tyč a přitáhněte křídlovou matici. Ujistěte se, že přední pomocná rukojeť je vzhůru a směřuje k horní části zadní rukojeti (obr. G).
5. Upravte přední pomocnou rukojeť mezi prahový kroužek a štítek tak, aby přední rameno bylo při používání rovné (obr. H).
6. Zjistěte páčku zajišťovací tyče. (obr. I).

**POZNÁMKA:** Přední pomocná rukojeť musí být natočena vzhůru tak, aby směřovala k horní části zadní rukojeti.

**VAROVÁNÍ:** Přední pomocnou rukojeť upevňujte pouze mezi prahovým kroužkem a štítkem na hřídeli.

**VAROVÁNÍ:** Náradí nelze používat bez bezpečně upevněné přední pomocné rukojeti.

## MONTÁŽ RAMENNÍHO POPRUHU

Stlačte háček popruhu pro otevření a připojte ho na poutko ramenního popruhu (obr. J).

## OBSLUHA

**VAROVÁNÍ:** Dbejte, abyste se po seznámení s výrobkem nestali neopatrní. Nezapomínejte, že stačí chvíle nepozornosti a může se stát vážný úraz.

**VAROVÁNÍ:** Při práci s elektrickým nářadím vždy noste ochranné brýle nebo ochranné brýle s bočními kryty a používejte ochranu sluchu. Pokud tak neučiníte, může dojít k vyvrstvení předmětu do očí, nebo případně jiným vážným úrazům.

**VAROVÁNÍ:** Nepoužívejte nástavce nebo příslušenství, které nedoporučuje výrobce tohoto výrobku. Použití nedoporučených nástavců a příslušenství může vést k vážnému úrazu.

**VAROVÁNÍ:** Před servisem, čištěním, výměnou nástavců nebo odstraněním materiálu vyjměte akumulátor z náradí, aby nedošlo k vážnému úrazu.

Výrobek lze použít k následujícím účelům:

**Zarovnáni:** slouží k odstranění trávy a plevelu u zdí, plotů, stromů a obrubníků.

**Sekání:** slouží k sekání trávy, která je pro běžnou sekačku obtížně dostupná.

**POZNÁMKA:** Náradí se smí používat pouze k vyhrazenému účelu. Jakékoliv jiné použití, např. vysekávání rohů, se považuje za nesprávné.

## INSTALACE/VYJMUTÍ AKUMULÁTORU

**Před prvním použitím plně nabijte akumulátor.**

### Instalace

Srovnejte žebrovaní akumulátoru s instalačními drážkami a zatlačte na akumulátor, dokud neuslyšíte „cvaknutí“ (obr. K).

### Vyjmutí

Stiskněte tlačítko pro uvolnění akumulátoru a vytáhněte jej, jak je to znázorněno na obr. L.

Obr. L, následuje popis dílů:

L-1	Tlačítko pro uvolnění akumulátoru
-----	-----------------------------------

## JAK DRŽET STRUNOVOU SEKAČKU

**VAROVÁNÍ:** Pro práci s tímto nářadím se vhodně oblěkněte, abyste snížili riziko úrazu. Nenoste volný oděv ani šperky. Používejte ochranu očí a chrániče sluchu. Noste odolné, dlouhé kalhoty, pevné boty a rukavice. Nenoste krátké kalhoty, sandály ani nechodte bosí.

Než začnete, postavte se do pracovní polohy a zkontrolujte ochranu očí, správný oděv, vyrovnaný postoj a nataženou paži, která drží přední pomocnou rukojeť.

**POZNÁMKA:** Strunová hlava je rovnoběžná se zemí ve správné žací vzdálenosti, aniž by se musela obsluha překlínit (obr. N).

Pro bezpečnější a lepší provoz si dejte ramenní popruh přes rameno, obr. N. Nastavte ramenní popruh do pohodlné provozní polohy. Držte strunovou sekačku oběma rukama: Jednu ruku na zadní rukojeti a druhou ruku na přední pomocné rukojeti.

Existují dva způsoby, jak uvolnit popruh: Sundejte ho ze svého ramene přímo (obr. O), nebo stiskněte háček popruhu a sundejte ho z poutka ramenního popruhu upevněného na hřídle (obr. P).

**VAROVÁNÍ:** Ramenní popruh je vybaven rychle vypínacím mechanismem pro nebezpečné situace. Dojde-li k nouzové situaci, okamžitě si odepněte popruh ze svého ramene bez ohledu na to, jakým způsobem je popruh připnutý.

## SPUŠTĚNÍ/VYPNUTÍ STRUNOVÉ SEKAČKY (obr. M)

### Spuštění

Stlačte páčku pojistky a stiskněte spoušť. Odlišný tlak na spouštěč způsobí proměnlivou rychlost otáčení žací struny. Vyšší intenzita, vyšší rychlost.

### Zastavení

Uvolněte spoušť.

**POZNÁMKA:** Motor se spustí, pouze když jsou tlačítko pojistky a spoušť stisknuty současně.

**VAROVÁNÍ:** Při přestávce a po skončení práce vždy vyjměte akumulátor ze strunové sekačky.

### Funkce nastavení rychlosti (Obr. M)

Strunová sekačka má dvě rychlosti. Poloha „1“ je určena pro nízké rychlosti, zatímco poloha „2“ pro vysoké rychlosti. Stiskněte nebo vytáhněte přepínač vysoké/nízké rychlosti a zvolte si vhodnou rychlost během provozu.

Obr. M, následuje popis dílů:

M-1	Přepínač vysoké/nízké rychlosti
M-2	Blokovací tlačítko
M-3	Spouštěč

## POUŽITÍ STRUNOVÉ SEKAČKY

**VAROVÁNÍ:** Aby nedošlo k vážnému úrazu, používejte vždy při práci s tímto nářadím ochranné brýle. V prašném prostředí používejte ochrannou masku nebo protiprachový respirátor.

Před každým použitím vyčistěte prostor, kde budete stříhat. Odstraňte veškeré předměty, jako jsou např. kameny, rozbité sklo, hřebíky, dráty nebo provazy, které mohou být vrženy, nebo se mohou do žacího nástavce zaplést. Z prostoru vyzheňte děti, ostatní osoby a domácí zvířata. Minimální bezpečná vzdálenost pro děti, ostatní osoby a domácí zvířata je 15 m; stále však hrozí riziko zasažení ostatních osob vymrštěnými předměty. Ostatním osobám doporučujeme použití ochrany očí. Pokud se k vám někdo blíží, okamžitě vypněte motor a žací nástavec.

### Před každým použitím zkontrolujte poškození/opotřebení dílů

Zkontrolujte strunovou hlavu, kryt, přední pomocnou rukojeť a vyměňte díly, které jsou prasklé, zdeformované, ohnuté nebo jinak poškozené.

Vyžínací kotouč na okraji krytu se může časem ztupit. Doporučujeme vyžínací kotouč pravidelně brousit pilníkem, nebo jej vyměnit za nový.

**VAROVÁNÍ:** Při montáži krytu nebo servisu kotouče vždy používejte rukavice. Pozor na hranu krytu, chraňte si ruce před pořezáním.

### Po každém použití sekačku vyčistěte.

**UPOZORNĚNÍ:** Překážky ve větracích otvorech zabrání proudění vzduchu do pouzdra motoru, což povede k přehřátí nebo poškození motoru.

- K čištění nářadí používejte pouze neagresivní mýdlo a vlhký hadr. Dbejte, aby do nářadí nepronikla žádná kapalina; žádný díl tohoto nářadí nikdy neponořujte do kapaliny.
- Udržujte větrací otvory pouzdra motoru vždy v čistotě.

**VAROVÁNÍ:** K čištění nůžek nikdy nepoužívejte vodu. K čištění plastových dílů nepoužívejte rozpouštědla. Většina plastů je náchylná k poškození různými typy komerčních rozpouštědel. K odstranění nečistot, prachu, oleje, maziva atd. použijte čistý hadr.

### NASTAVENÍ DÉLKY ŽACÍ STRUNY

Strunová hlava umožňuje obsluhu více vysunutou žací strunu bez zastavení motoru. Když se struna roztřepe nebo rozeře, lze během práce se sekačkou vysunout další část struny lehkým poklepáním hlavy sekačky o zem (Obr. Q).

**POZNÁMKA:** Vysouvání struny se stává obtížnějším se zkracováním žací struny.

**VAROVÁNÍ:** Nevýjímáme ani neupravujte sestavu vyžínacího kotouče. Nadměrná délka struny způsobí přehřátí motoru, což může vést k vážnému úrazu.

## VÝMĚNA STRUNY

**POZNÁMKA:** Vždy používejte doporučenou nylonovou strunu s průměrem, který nepřesahuje 2,4 mm. Použití jiné struny, než je uvedeno, může způsobit přehřátí nebo poškození strunové sekačky.

**VAROVÁNÍ:** Nikdy nepoužívejte kovem zesílené struny, dráty, nebo lanka atd. Mohou se ulomit a stát se nebezpečnými projektily.

1. Vyměňte akumulátor.
2. Odstraňte zbývající strunu, pokud je to nutné.
3. Ustříhnete strunu v délce 4 m a vložte ji do otvoru uvnitř oka (obr. R). Přetlačte a vytáhněte strunu z druhé strany, dokud se na obou stranách cívký neobjeví stejná délka struny.
4. Stiskněte při otáčení sestavy spodního krytu ve směru šipky pro navinutí struny na cívku, dokud na každé straně nezůstane přibližně 14 cm struny (Obr. S).
5. Zatlačte sestavu spodního krytu dolů při vytahování strun pro ruční vysunutí struny a zkontrolování správné montáže strunové hlavy.

Když se žací struna utrhne ve výstupu struny nebo žací struna není uvolněna, když se poklepe na strunovou hlavu, postupujte podle následujících kroků:

1. Stiskněte uvolňovací západky na horním krytu a vytáhněte sestavu spodního krytu tahem směrem ven (Obr. T a U).
2. Vytáhněte strunu z cívký.
3. Jednou rukou přidrže sestavu spodního krytu, druhou rukou uchopte sestavu spodního krytu a zarovnejte západky na horním krytu s otvory v sestavě spodního krytu (obr. V); pomocí dlaně zatlačte na sestavu spodního krytu, dokud západky nezapadnou do horního krytu.
4. Postupujte podle pokynů v části „VÝMĚNA STRUNY“ pro natáhnutí nové struny.

## ÚDRŽBA

**VAROVÁNÍ:** Při opravách používejte pouze originální náhradní díly. Pravidelně stroj kontrolujte a udržujte. Z důvodu bezpečnosti by měli všechny opravy provádět kvalifikovaný servisní technik.

**VAROVÁNÍ:** Akumulátorové nářadí se nemusi zapojovat do elektrické zásuvky, proto jsou vždy v provozním stavu. Aby nedošlo k vážnému úrazu, věnujte zvýšenou pozornost a péči údržbě, servisu, výměně žacího nebo jiného nástavce.

**VAROVÁNÍ:** Aby nedošlo k vážnému úrazu vyjměte před servisem, čištěním, výměnou nástavců nebo odstraněním materiálu nářadí akumulátor.

## ČIŠTĚNÍ NÁŘADÍ

- Nářadí čistěte vlhkým hadrem s neagresivním čisticím prostředkem.
- Na plastové pouzdro nebo rukojeť nepoužívejte žádné silné čisticí prostředky. Mohou být poškozeny některými aromatickými oleji, jako např. borovicovým nebo citronovým a rozpouštědly, jako např. petrolej. Vlhkost může rovněž způsobit riziko úrazu elektrickým proudem. Veškerou vlhkost setřete suchým měkkým hadrem.
- K čištění větracích otvorů od nečistot na zadní části pouzdra použijte malý kartáč nebo proud vzduchu z malého vysavače.

## MAŽÁNÍ PŘEVODOVKY

Převody v převodové skříně se musí pravidelně mazat převodovým tukem. Zkontrolujte hladinu převodového maziva v převodovce přibližně každých 50 hodin provozu odstraněním těsnícího šroubu na boku skříně.

Pokud na bocích převodovky není vidět žádný tuk, postupujte podle pokynů pro naplnění převodovým mazivem až do 3/4 kapacity. Nezaplněte zcela převody.

1. Přidrže strunovou sekačku na boku, aby těsnící šroub směřoval nahoru (obr. W).
2. Pomocí dodaného multifunkčního klíče povolte a odstraňte těsnící šroub.
3. Použijte mazací stříkačku (není součástí dodávky) pro zavedení maziva do otvoru pro šroub; nepřekročte 3/4 kapacity.
4. Po naplnění utáhněte těsnící šroub.

## SKLADOVÁNÍ NÁŘADÍ

- Pokud strunovou sekačku nepoužíváte, vyjměte z ní akumulátor.
- Nářadí před uskladněním řádně vyčistěte.
- Nářadí skladujte na suchém, dobře větraném, uzamčeném nebo vyvýšeném místě mimo dosah dětí. Nářadí neskladujte v blízkosti hnojiv, benzínu nebo jiných chemických látek.

## Ochrana životního prostředí



Elektrické zařízení, nabíječku a baterie/ nabíjecí baterie nevhazujte do domovního odpadu!

Podle směrnice Evropského parlamentu a Rady 2012/19/EU se musí odpadní elektrická a elektronická zařízení a podle směrnice 2006/66/ES vadné nebo použité akumulátory/baterie sbírat odděleně a likvidovat ekologicky.

Pokud se elektrická zařízení likvidují na zavážkách nebo skládkách, mohou do podzemní vody prosáknout nebezpečné látky, dostat se do potravního řetězce a poškodit tak vaše zdraví a zdravotní stav.

## ODSTRAŇOVÁNÍ ZÁVAD

PROBLÉM	PŘÍČINA	ŘEŠENÍ
Strunová sekačka se nespustí.	<ul style="list-style-type: none"> <li>■ K sekačce není připojen akumulátor.</li> <li>■ Bez elektrického kontaktu mezi sekačkou a akumulátorem.</li> <li>■ Akumulátor je vybitý.</li> <li>■ Blokovací tlačítko a spoušť nejsou stisknuté současně.</li> </ul>	<ul style="list-style-type: none"> <li>■ Nasadte akumulátor na sekačku.</li> <li>■ Vyměte akumulátor, zkontrolujte póly a znovu jej nainstalujte.</li> <li>■ Nabijte akumulátor.</li> <li>■ Stiskněte blokovací tlačítko, podržte jej a stiskněte spínač pro zapnutí strunové sekačky.</li> </ul>
Při sekání se strunová sekačka zastaví.	<ul style="list-style-type: none"> <li>■ Na sekačce není namontovaný kryt, což má za následek příliš dlouhou žací strunu a přetížení motoru.</li> <li>■ Je použita těžká žací struna.</li> <li>■ Hřídel motoru nebo strunová hlava jsou zablokované trávou.</li> <li>■ Motor je přetížen.</li> <li>■ Akumulátor nebo strunová sekačka je příliš horká.</li> <li>■ Akumulátor je odpojený od nářadí.</li> <li>■ Akumulátor je vybitý.</li> </ul>	<ul style="list-style-type: none"> <li>■ Vyměte ze sekačky akumulátor a namontujte kryt.</li> <li>■ Používejte doporučenou nylonovou žací strunu s max. průměrem 2,4 mm.</li> <li>■ Zastavte sekačku, vyjměte akumulátor a odstraňte trávu z hřídele motoru a strunové hlavy.</li> <li>■ Vytáhněte strunovou hlavu z trávy. Motor začne pracovat, jakmile odstraníte zatížení. Při sekání pohybně strunovou hlavou v sekané trávě tam a zpět, délka pohybu by neměla přesáhnout délku 20 cm v jednom tahu.</li> <li>■ Nechejte akumulátor nebo sekačku zchladnout, dokud teplota neklesne pod 67 °C.</li> <li>■ Znovu nainstalujte akumulátor.</li> <li>■ Nabijte akumulátor.</li> </ul>
Ze strunové hlavy se nevysouvá struna.	<ul style="list-style-type: none"> <li>■ Hřídel motoru nebo strunová hlava jsou zablokované trávou.</li> <li>■ Na cívice není struna v dostatečné délce.</li> <li>■ Strunová hlava je znečištěná.</li> <li>■ Struna se na cívice zamotala.</li> <li>■ Struna je příliš krátká.</li> </ul>	<ul style="list-style-type: none"> <li>■ Zastavte sekačku, vyjměte akumulátor a očistěte hřídel motoru a strunovou hlavu.</li> <li>■ Vyměte baterii a vyměňte strunu; dodržujte pokyny uvedené v části „VÝMĚNA STRUNY“ v tomto návodu.</li> <li>■ Vyměte akumulátor a očistěte strunovou hlavu.</li> <li>■ Vyměte akumulátor, vymotejte strunu ze strunové hlavy a znovu ji naviňte; dodržujte pokyny uvedené v části „NATÁHNUTÍ NOVÉ STRUNY“ v tomto návodu.</li> <li>■ Vyměte akumulátor, zatáhněte ručně za struny a současně stiskněte a uvolněte strunovou hlavu.</li> </ul>



PROBLÉM	PŘÍČINA	ŘEŠENÍ
Ze strunové hlavy se nevysouvá struna. Kolem strunové hlavy a pouzdra motoru se namotala tráva.	<ul style="list-style-type: none"> <li>▪ Sekání vysoké trávy na úrovni terénu.</li> </ul>	<ul style="list-style-type: none"> <li>▪ Vysokou trávu sekejte shora dolů, pokaždé ne více než 20 cm, aby nedocházelo k zamotání.</li> </ul>
Praskliny na strunové hlavě nebo sestava spodního krytu uvolněná z horního krytu.	<ul style="list-style-type: none"> <li>▪ Strunová hlava je opotřebovaná.</li> </ul>	<ul style="list-style-type: none"> <li>▪ Nechte ihned vyměnit strunovou hlavu kvalifikovaným servisním technikem.</li> </ul>

## ZÁRUKA

### ZÁRUKA SPOLEČNOSTI EGO

Úplné záruční podmínky společnosti EGO naleznete na webové stránce [egopowerplus.com](http://egopowerplus.com).

## PREČÍTAJTE SI VŠETKY POKYNY!



PREČÍTAJTE SI NÁVOD NA OBSLUHU.

**⚠ Potenciálne riziká!** Ľudia s elektrickými zariadeniami, ako sú napríklad kardiostimulátory, sa musia pred použitím tohto výrobku poradiť so svojim lekárom. Použitie elektrických zariadení v tesnej blízkosti kardiostimulátora by mohlo spôsobiť rušenie alebo zlyhanie kardiostimulátora.

**⚠ VAROVANIE:** Pre zaistenie bezpečnosti a spoľahlivosti je nevyhnutné, aby všetky opravy a výmeny vykonával len kvalifikovaný servisný technik.

## BEZPEČNOSTNÉ SYMBOLY

Účelom bezpečnostných symbolov je upozorniť vás na možné nebezpečenstvá. Venujte príslušnú pozornosť a pochopte bezpečnostné symboly a ich vysvetlenia. Varovné symboly, samy o sebe, nedokážu eliminovať nebezpečenstvo. Pokyny a varovania, ktoré obsahujú, nie sú náhradou za vhodné opatrenia na prevenciu úrazov.

**⚠ VAROVANIE:** Pred použitím tohto nástroja si prečítajte a pochopte všetky bezpečnostné pokyny v tomto návode na obsluhu, vrátane všetkých bezpečnostných výstražných symbolov, ako sú „**NEBEZPEČENSTVO**“, „**VAROVANIE**“ a „**UPOZORNENIE**“. Nedodržanie nižšie uvedených pokynov môže mať za následok úraz elektrickým prúdom, požiar a / alebo vážne zranenie.

## VÝZNAM SYMBOLU

**BEZPEČNOSTNÝ VÝSTRAŽNÝ SYMBOL:** Označuje **NEBEZPEČENSTVO**, **VAROVANIE**, alebo **UPOZORNENIE**. Môže byť použitý v spojení s inými symbolmi alebo piktogramami.



**⚠ VAROVANIE:** Prevádzka akéhokoľvek elektrického náradia môže viesť k vyvráteniu cudzích predmetov do vašich očí, čo môže spôsobiť vážne poškodenie zraku. Skôr, ako začnete používať elektrické náradie, si vždy nasadte ochranné okuliare alebo ochranné okuliare s postrannými krytmi a prípadne celotvárový štít. Odporúčame použiť bezpečnostnú masku Wide Vision cez okuliare alebo štandardné bezpečnostné okuliare s postrannými krytmi.

## BEZPEČNOSTNÉ POKYNY

Táto strana zobrazuje a popisuje bezpečnostné symboly, ktoré sa objavujú na tomto výrobku. Pred pokusom o zostavenie a prevádzkovanie si prečítajte, pochopte a dodržiavajte všetky pokyny na stroji.

	Bezpečnostné upozornenie	Upozorňuje na potenciálne nebezpečenstvo úrazu.
	Prečítajte si návod na obsluhu.	Aby sa znížilo riziko poranenia, užívateľ si má pred
	Používajte ochranu zraku.	použitím tohto výrobku prečítať návod na obsluhu a porozumieť mu.
	Používajte ochranu sluchu.	Pri práci s týmto výrobkom vždy používajte ochranu sluchu.
	Bez rezacej čepele	Neinštalujte kovové alebo plastové rezacie čepele
	Udržiavajte okolostojace osoby v bezpečnej vzdialenosti.	Zabezpečte, aby ostatní ľudia a domáce zvieratá zostali vo vzdialenosti aspoň 15 m od strunovej kosačky, keď sa používa.
	Udržiavajte okolostojace osoby v bezpečnej vzdialenosti.	Zabezpečte, aby ostatní ľudia a domáce zvieratá zostali vo vzdialenosti aspoň 15 m od strunovej kosačky, keď sa používa.
	Hluk	Úroveň akustického tlaku
	Stupeň ochrany pred vniknutím	Ochrana pred striekajúcou vodou
V	Volt	Napätie
mm	Milimeter	Dĺžka alebo veľkosť
cm	Centimeter	Dĺžka alebo veľkosť
	Jednosmerný prúd	Typ alebo charakteristika prúdu
$n_0$	Rýchlosť bez zataženia	Rýchlosť otáčania, bez zátáže
min <sup>-1</sup>	Za minútu	Otáčky za minútu

## DÔLEŽITÉ BEZPEČNOSTNÉ POKYNY

**⚠ VAROVANIE!** Pri používaní strunových kosačiek sa musia vždy dodržiavať základné bezpečnostné opatrenia s cieľom znížiť riziko vzniku požiaru, riziko úrazu elektrickým prúdom alebo riziko zranenia osôb, vrátane nasledujúcich:

### PREČÍTAJTE SI VŠETKY POKYNY!

**⚠ NEBEZPEČENSTVO!** Nespoliehajte sa izoláciu nástroja, ktorá má chrániť pred úrazom elektrickým prúdom. Ak chcete znížiť riziko úrazu elektrickým prúdom, nikdy nepoužívajte stroj v blízkosti akýchkoľvek drôtov alebo káblov, ktoré môžu viesť elektrický prúd.

**⚠ UPOZORNENIE:** Počas používania používajte vhodné osobné prostriedky na ochranu sluchu. Za určitých podmienok a dlhšom použití môže hluk z tohto výrobku prispieť k poškodeniu sluchu.

### ŠKOLENIE

- Prečítajte si pozorne tieto pokyny. Zoznámte sa s ovládacími prvkami a správnym používaním stroja.
- Nikdy nedovoľte ľuďom, ktorí nie sú oboznámení s týmito pokynmi, alebo deťom používať stroj. Miestne predpisy môžu obmedzovať vek obsluhy.
- Majte na pamäti, že obsluha alebo používateľ nesie plnú zodpovednosť za nehody a nepredvídané udalosti voči iným osobám a ich majetku.

### PRÍPRAVA

- Nikdy nepoužívajte stroj za prítomnosti osôb, najmä detí, alebo zvierat v jeho blízkosti.
- Používajte ochranu očí a hrubé topánky po celú dobu používania stroja.
- Vzdialenosť medzi prístrojom a okolostojacimi osobami musí byť najmenej 15 m.
- Nepoužívajte kovové čepele.

### POUŽÍVANIE

- Stroj používajte iba za denného svetla alebo pri dobrom umelom osvetlení.
- Nikdy nepoužívajte stroj s poškodenými krytmi alebo štítmí, alebo bez nasadených krytov alebo štítov.
- Motor zapnite až vtedy, keď sú ruky a nohy mimo dosahu rezacích prostriedkov.
- Vždy odpojte stroj od napájania (t.j. vytriahnite zástrčku zo siete alebo vyberte blokovacie zariadenie).
  - vždy, keď necháte stroj bez dozoru;
  - pred odstraňovaním zablokovania;
  - pred kontrolou, čistením alebo prácou na stroji;
  - po zasiahnutí cudzieho predmetu;

- vždy, keď stroj začne neobvykle vibrovať.
- Dávajte pozor na poranenia nôh a rúk rezacími prostriedkami.
- Zabezpečte, aby ventiláčne otvory boli čisté.

### ÚDRŽBA A SKLADOVANIE

- Pred vykonávaním údržby alebo čistením odpojte stroj od napájania (t.j. vytriahnite zástrčku zo siete alebo vyberte blokovacie zariadenie).
- Používajte len príslušenstvo a náhradné diely odporúčané výrobcom.
- Pravidelne kontrolujte a udržiavajte stroj. Nechajte stroj opraviť len u autorizovaného odborníka.
- Keď stroj nepoužívate, uskladnite ho mimo dosahu detí.

### INÉ BEZPEČNOSTNÉ POKYNY

- Nepracujte v nebezpečnom prostredí - Nepoužívajte kosačky vo vlhkom alebo mokrom prostredí.
- Vždy, keď necháte kosačku bez dozoru, vypnite ju, alebo vyberte akumulátor.
- Nepoužívajte v daždi.
- Nedovoľte deťom priblížiť sa - Všetci návštevníci sa musia zdržiavať v bezpečnej vzdialenosti od pracovnej oblasti.
- Vhodne sa obliekajte - Nenoste šperky alebo voľný odev. Môžu byť zachytené pohybujúcimi sa dielmi. Pri práci vonku odporúčame používať gumové rukavice a pevnú obuv. Používajte ochranné čiapky na dlhé vlasy.
- Používajte bezpečnostné okuliare - Keď používate stroj, vždy majte nasadené bezpečnostné okuliare.
- Používajte správny nástroj - Nepoužívajte nástroj na iný ako určený účel.
- Nepreťažujte kosačku - Kosačka si bude robiť svoju prácu lepšie a s menšou pravdepodobnosťou rizika poranenia, ak sa použije určeným spôsobom.
- Nepreceňujte sa - Pri práci vždy dodržujte správny postoj a rovnováhu.
- Buďte pozorní - Sledujte, čo robíte. Používajte zdravý rozum. Nepracujte s kosačkou, ak ste unavení.
- Nepracujte s kosačkou, keď ste pod vplyvom alkoholu alebo drog.
- Majte chrániče nasadené a vo funkčnom stave.
- Kosačky skladujte vo vnútri - Keď kosačku nepoužívate, skladujte ju vo vnútri na suchom, vyvýšenom a prípadne uzamknutom mieste s odstráneným akumulátorom - mimo dosahu detí.
- Starostlivo udržiavajte kosačku - Udržiavajte rezacie príslušenstvo čisté pre najlepší výkon a zníženie rizika zranenia. Dodržujte pokyny pre výmenu príslušenstva. Udržujte rukoväte suché, čisté, bez oleja a maziva.

- Skontrolujte poškodené diely - Pred ďalším použitím kosačky musí byť chránič alebo iná časť, ktorá je poškodená, starostlivo skontrolovaná na správnu funkciu a plnenie jej zamýšľaného účelu. Skontrolujte vyrovnanie pohyblivých častí, pripojenie pohyblivých častí, poškodenie jednotlivých dielov, montáž a akékoľvek iné okolnosti, ktoré môžu mať vplyv na prevádzku nástroja. Chránič alebo iná časť, ktorá je poškodená, musí byť správne opravená alebo vymenená v autorizovanom servisnom stredisku, pokiaľ nie je uvedené inak v tejto príručke.
- Pred každým použitím vyčistite oblasť, ktorá má byť rezaná. Odstráňte všetky predmety, ako sú kamene, rozbité sklo, klince, drôty alebo šnúry, ktoré môžu byť vymrštené alebo môžu uviaznuť v stroji. Zabezpečte, aby ostatní ľudia a domáce zvieratá zostali vo vzdialenosti aspoň 15 m.
- Pred použitím stroja a po každom zásahu, skontrolujte, či nejaví známky opotrebenia alebo poškodenia a podľa potreby ho opravte.
- Vždy držte kosačku pri používaní pevne obomi rukami na rukoväti. Palce a prsty obmotajte okolo rukoväti.
- Zabráňte nechcenému spusteniu - Neprenášajte kosačku s prstom na vypínači.
- Neprevádzkujte kosačku v horľavom alebo výbušnom prostredí. Motory v týchto zariadeniach bežne iskria a iskry by mohli vznietiť výpary.
- Poškodenie kosačky - Ak zasiahnete cudzí predmet kosačkou, alebo ak sa kosačka zamotá, okamžite zastavte nástroj, vyberte batériu zo strunovej kosačky, skontrolujte poškodenie a akékoľvek poškodenie nechajte opraviť skôr, než sa pokúsite o ďalšiu prevádzku. Nepracujte s poškodeným krytom alebo cievkou.
- V prípade, že nástroj začne nezvyčajne vibrovať, vypnite motor, vyberte batériu zo strunovej kosačky a ihneď zistite príčinu. Vibrácie zvyčajne upozorňujú na problém. Uvoľnená hlava môže vibrovať, prasknúť, zlomiť sa alebo odletieť z kosačky, čo môže viesť k vážnemu alebo smrteľnému zraneniu. Uistite sa, že rezná príslušenstvo je správne uchytené na svojom mieste. V prípade, že sa hlava po upevnení uvoľní, ihneď ju vymeňte. Nikdy nepoužívajte kosačku s voľným rezacím príslušenstvom.
- Ihneď vymeňte prasknutú, poškodenú alebo opotrebovanú rezaciu hlavu, aj keď je poškodenie obmedzené na povrchové praskliny. Takéto príslušenstvo sa môže pri vysokej rýchlosti roztrieštiť a spôsobiť vážne alebo smrteľné zranenie.
- Počas prevádzky kontrolujte rezacie príslušenstvo v pravidelných krátkych intervaloch, alebo ihneď, ak vznikne nápadná zmena v charakteristike rezania.
- Používajte iba EGO™ autorizované polymérové strunové príslušenstvo a kosačkové struny, ktoré sú určené pre použitie s týmito nástrojmi. Aj keď niektoré neautorizované príslušenstvo môže byť namontované na strunové kosačky EGO™, ich použitie môže byť veľmi nebezpečné a/alebo škodlivé pre nástroje.
- Aby sa znížilo riziko vážneho zranenia, nikdy nepoužívajte drôt alebo kovom zosilnenú strunu či iný materiál namiesto nylonových rezacích strún. Kúsky drôtu by sa mohli zlomiť a mohli by byť vymrštené vysokou rýchlosťou smerom k obsluhu alebo prizerajúcim sa.
- Za účelom zníženia rizika zranenia kvôli strate kontroly, nikdy nepracujte na rebriku alebo na inej neistej podpore. Nikdy nedržte rezacie príslušenstvo nad úrovňou pásu.
- Ak sa vyskytnú situácie, ktoré nie sú zahrnuté v tomto návode, použite starostlivosť a zdravý úsudok. Obráťte sa na servisné stredisko EGO pre pomoc.
- Nedobíjajte akumulátor v daždi alebo vo vlhkom prostredí.
- Používajte výlučne akumulátory a nabíjačky značky EGO.

AKUMULÁTOR	NABÍJAČKA
BA1120E, BA1400, BA2240E BA2800, BA3360, BA4200 BA1400T, BA2800T, BA4200T	CH2100E, CH5500E

- Pred likvidáciou musí byť akumulátor odstránený zo spotrebiča.
- Batérie likvidujte bezpečným spôsobom.
- Batérie nevyhadzujte do ohňa. Články môžu explodovať. Pozrite si miestne vyhlášky so špeciálnymi pokynmi na likvidáciu.
- Neotvárajte alebo nepoškodzuje batérie. Uvoľnený elektrolýt je žieravina a môže spôsobiť poškodenie očí alebo kože. Môže byť toxická pri požití.
- Pri manipulácii s batériami buďte opatrní, aby nedošlo ku skratovaniu batérie vodivými materiálmi, ako sú prstene, náramky a kľúče. Batérie alebo vodiče sa môžu prehriať a spôsobiť popáleniny.
- Pri servise používajte iba identické náhradné diely EGO™. Použitie iného príslušenstva alebo prídavného zariadenia môže zvýšiť riziko poranenia.

- Nástroje na batérie nemusia byť zapojené do elektrickej zásuvky; preto sú vždy v prevádzkovom stave. Buďte si vedomí možných rizík, aj keď sa nástroj nepoužíva. Buďte opatrní pri vykonávaní údržby alebo servisu.
- Neumývajte s hadicou; zabráňte tomu, aby sa voda dostala do motora a elektrických prípojek.
- Odložte si tieto pokyny. Používajte ich často a poučte o používaní pokynov aj ostatných, ktorí môžu tento nástroj používať. Ak požičiate tento nástroj niekomu inému, požičajte mu aj tieto pokyny, aby sa zabránilo zneužitiu výrobku a prípadným zraneniam.
- Vždy noste pevnú obuv a dlhé nohavice pri práci so strojom.
- Vždy sa uistite o vašom stabilnom postoji na svahoch a kráčajte, nikdy nebežte.

## ODLOŽTE SI TIETO POKYNY!

## TECHNICKÉ ÚDAJE

Napätie	56 V $\overline{\text{---}}$	
Rýchlosť naprázdno	5000/6000 min <sup>-1</sup>	
Rezací mechanizmus	Rezací hlava	
Typ rezacej struny	2,4 mm nylonová stočená struna	
Rezná šírka	38 cm	
Hmotnosť (bez akumulátora)	4,21Kg	
Hladina akustického výkonu $L_{WA}$	94,3 dB(A) K=1,37 dB(A)	
Hladina akustického tlaku pri uchu obsluhy $L_{PA}$	82,6 dB(A) K=3 dB(A)	
Zaručená úroveň akustického výkonu $L_{WA}$ (podľa 2000/14/ES)	96 dB(A)	
Vibrácie $a_{hh}$	Zadná rukoväť	3,97 m/s <sup>2</sup> K=1,5 m/s <sup>2</sup>
	Predná pomocná rukoväť	2,78 m/s <sup>2</sup> K=1,5 m/s <sup>2</sup>

## OBSAH BALENIA

NÁZOV DIELU	MNOŽSTVO
Strunová kosačka	1
Ochrana	1
Montáž prednej pomocnej rukoväti	1
Imbusový kľúč	1
Multifunkčný kľúč	1
Ramenný popruh	1
Návod na obsluhu	1

## POPIS

### SPOZNAJTE SVOJU STRUNOVÚ KOSAČKU (obr. A)

1. Prahový krúžok
2. Vypínač
3. Zadná rukoväť
4. Prívod vzduchu
5. Zaisťovacie tlačidlo
6. Prepínač vysokej/nizkej rýchlosti
7. Montážny záves ramenného Popruhu
8. Nastaviteľná predná pomocná rukoväť
9. Ramenný popruh
10. Multifunkčný kľúč
11. Imbusový kľúč
12. Hlava kosačky (strunová hlava)
13. Rezacia struna
14. Uvoľňovacia zarážka
15. Strunová-Rezacía čepeľ
16. Ochrana
17. Vystreľovací mechanizmus
18. Elektrické spoje
19. Západka
20. Ochranná gumová podložka
21. Tlačidlo na uvoľnenie batérie

## MONTÁŽ

**VAROVANIE:** Ak akýkoľvek diel chýba, alebo je poškodený, nepoužívajte tento výrobok, kým nie sú vymenené diely. Ak používate tento výrobok s poškodenými alebo chýbajúcimi časťami, môže dôjsť k vážnemu zraneniu.

**VAROVANIE:** Nepokúšajte sa upravovať tento výrobok alebo vytvoriť príslušenstvo, ktoré nie je odporúčané pre použitie s týmito zarovnávacími nožnicami. Každá takáto zmena alebo modifikácia sa považuje za zneužitie a môže spôsobiť nebezpečný stav, ktorý vedie k možnému vážnemu zraneniu.

**VAROVANIE:** Aby sa zabránilo náhodnému spusteniu, ktoré by mohlo viesť k vážnemu zraneniu, vždy vyberte akumulátor z nástroja pri montáži dielov.

### Montáž chrániča

**VAROVANIE:** Pri montáži alebo výmene chrániča vždy používajte rukavice. Dajte si pozor na ostré hrany na chrániči a chráňte si ruky pred porezaním.

**VAROVANIE:** Nikdy nepoužívajte náradie bez nasadeného ochranného krytu. Chránič musí byť vždy na nástroji na ochranu používateľa! Keď je chránič pripevnený, nikdy sa nepokúšajte ho odobrať alebo upraviť. Ak je nutná výmena, nechajte ju vykonať oprávnenému servisnému technikovi!

1. Uvoľnite a odstráňte dve skrutky z chrániča (obr. B).
2. Zarovnajete montážne otvory chrániča s montážnymi otvormi a následne pripevníte chránič dvoma skrutkami na základňu hriadeľa spolu s dvomi pružnými podložkami (obr. C).

**UPOZORNENIE:** Uistite sa, že chránič je pripevnený podľa obr. B a C. Akékoľvek iné upevnenie spôsobí veľké nebezpečenstvo!

## MONTÁŽ A NASTAVENIE PREDNEJ POMOCNEJ RUKOVÄTE

1. Uvoľnite uzamykaciu tyč v prednej pomocnej rukoväti a odstráňte ju z tejto rukoväte spolu s krídlovou maticou (obr. D).

Obr. D popis častí pozri nižšie:

D-1	uzamykacia tyč	D-3	Predná- Pomocná rukoväť
D-2	Upínací Blok	D-4	Krídlová matica

2. Zatláčajte prednú pomocnú rukoväť na hriadeľ (obr. E).
3. Vložte upínací blok do otvoru rukoväte (obr. F).

4. Namontujte uzamykaciu tyč a pritiahnite krídlovú maticu. Uistite sa, že predná pomocná rukoväť je otočená dohora a smeruje k hornej časti zadnej rukoväte (obr. G).
5. Nastavte prednú pomocnú rukoväť medzi prahový krúžok a štítok tak, aby vaše predná ruka bola pri narábaní so strojom priama (obr. H).
6. Zamknite páčku uzamykacej tyče. (obr. I).

**UPOZORNENIE:** Predná pomocná rukoväť by mala byť otočená nahor, aby smerovala k hornej časti zadnej rukoväte.

**VAROVANIE:** Prednú pomocnú rukoväť posúvajte len medzi prahovým krúžkom a štítkom na hriadeľi.

**VAROVANIE:** Toto náradie nie je možné používať bez spoľahlivo upevnenej prednej pomocnej rukoväte.

### PRIPEVNIENIE RAMENNÉHO POPRUHU

Stlačte háčik popruhu, aby ste ho otvorili, a pripojte ho na montážny záves ramenného popruhu (obr. J).

## PREVÁDZKA

**VAROVANIE:** Nedovoľte, aby znalosť tohto výrobku spôsobila vašu neopatrnosť. Pamätajte na to, že aj chvíľková neopatrnosť stačí na to, aby spôsobila vážny úraz.

**VAROVANIE:** Vždy používajte bezpečnostné okuliare s bočným krytom spolu s ochranou sluchu. V opačnom prípade by mohlo dôjsť k tomu, že by vám do očí strelili predmety, či k iným vážnym zraneniam.

**VAROVANIE:** Nepoužívajte žiadne doplnky alebo príslušenstvo, ak ho neodporúča výrobca uvedeného výrobku. Používanie nástavcov alebo príslušenstva, ktoré nie je odporúčané, môže viesť k vážnemu zraneniu osôb.

**VAROVANIE:** Aby nedošlo k vážnemu zraneniu, tak pred vykonávaním údržby, čistením, výmenou príslušenstva alebo odstraňovaním materiálu z prístroja vyberte akumulátor z náradia.

Tento výrobok môžete použiť na nižšie uvedené účely:

**Pristrihávanie:** slúži na odstránenie trávy a buriny pri múroch, plotoch, stromoch a okrajoch.

**Kosenie:** slúži na kosenie trávy, ktorú je ťažké dosiahnuť za použitia normálnej kosačky.

**UPOZORNENIE:** Náradie sa musí používať v súlade s účelom použitia. Každé iné použitie, napríklad orezávanie okrajov, sa považuje za prípad zneužitia.

## NASADENIE / ODPOJENIE AKUMULÁTORA

**Pred prvým použitím akumulátor nabite doplna.**

### Inštalácia

Zarovnajte rebrovanie akumulátora s montážnymi drážkami a zatlačte akumulátor nadol, kým nezačujete „cvaknutie“ (obr. K).

### Odpojenie

Stlačte tlačidlo na uvoľnenie batérie a vytiahnite akumulátor von tak, ako je znázornené na obr. L.

Obr. L a popisom dielov:

L-1	Tlačidlo na uvoľnenie batérie
-----	-------------------------------

## DRŽANIE STRUNOVEJ KOSAČKY

**VAROVANIE:** Oblečte sa vhodne pri práci s týmto náradím, aby sa znížilo riziko poranenia. Nenoste šperky alebo voľný odev. Používajte ochranu očí a sluchu. Oblečte si odolné, dlhé nohavice, vysoké topánky a rukavice. Nenoste krátke nohavice, sandále alebo nebuďte naboso.

Pred prácou sa postavte do pracovnej polohy a skontrolujte, či máte nasadenú ochranu očí, správne oblečenie, vyvážené postavenie, rovné rameno, ktoré drží prednú pomocnú rukoväť.

**UPOZORNENIE:** Hlava kosačky je rovnobežná so zemou v správnej vzdialenosti na kosenie bez toho, aby sa osoba obsluhujúca kosačku nakláňala (obr. N).

Na bezpečné a lepšie fungovanie si položte ramenný popruh cez rameno (obr. O) alebo stlačte háčik popruhu a vyberte ho z montážneho závesu ramenného popruhu pripävaného na hriadeľ (obr. P).

Existujú dva spôsoby, ako uvoľniť popruh: Zložte ho zo svojho ramena priamo (obr. O) alebo stlačte háčik popruhu a vyberte ho z montážneho závesu ramenného popruhu pripävaného na hriadeľ (obr. P).

**VAROVANIE:** Ramenný popruh má takisto rýchlyvypínač mechanizmus pre nebezpečné situácie. Ak dôjde k núdzovej situácii, ihneď si popruh odopnite zo svojho ramena bez ohľadu na to, akým spôsobom je pripnutý.

## SPUSTENIE/ZASTAVENIE STRUNOVEJ KOSAČKY (obr. M)

### Zapnutie

Zatlačte poistnú páčku a potom stlačte vypínač. Rôzny tlak na vypínač znamená rôznu rýchlosť otáčania rezačky struny. Väčší prtlak, vyššia rýchlosť.

### Zastavenie

Uvoľnite vypínač.

**UPOZORNENIE:** Motor sa spustí len vtedy, keď sú zaistovacie tlačidlo a vypínač stlačené naraz.

**VAROVANIE:** Počas pracovných prestávok a po ukončení práce vždy vyberte akumulátor zo strunovej kosačky.

### Funkcia nastavenia rýchlosti (obr. M)

Strunová kosačka má dve rýchlosti. Poloha „1“ je určená pre nízke rýchlosti, pričom poloha „2“ pre vysoké rýchlosti. Prtláčajte alebo uvoľňujte prepínač vysokej/nízkej rýchlosti za účelom voľby vhodnej rýchlosti počas používania.

Obr. M s popisom dielov:

M-1	Prepínač vysokej/nízkej rýchlosti
M-2	Zaistovacie tlačidlo
M-3	Vypínač

## POUŽÍVANIE STRUNOVEJ KOSAČKY

**VAROVANIE:** Aby nedošlo k vážnemu zraneniu, nosťte okuliare alebo ochranné okuliare po celú dobu používania prístroja. Používajte masku alebo masku proti prachu v prašnom prostredí.

Pred každým použitím vyčistíte oblasť, ktorá má byť rezaná. Odstráňte všetky predmety, ako sú kamene, rozbité sklo, kince, drôty alebo šnúry, ktoré môžu byť vymrštené alebo môžu uviaznuť v stroji. Zabráňte prístupu deťom, prítomným osobám a domácim zvieratám. Všetky deti, prizerajúce sa osoby a zvieratá sa musia zdržiavať vo vzdialenosti najmenej 15 metrov; stále ešte môže existovať riziko vymrštenia predmetov na prizerajúce sa osoby. Okolostojace osoby by mali mať ochranu očí. Ak sa približujú, okamžite zastavte motor a reznú príslušenstvo.

### Pred každým použitím skontrolujte, či nie sú poškodené / opotrebované diely

Skontrolujte strunovú hlavu, chránič a prednú pomocnú rukoväť a diely, ktoré sú prasknuté, zdeformované, ohnuté, alebo inak poškodené.

Strunová čepeľ na okraj chrániča v priebehu času otupí. Odporúčame, aby ste ju pravidelne prebrúšili pilníkom, alebo ju nahradili za novú čepeľ.

**WARNING:** Pri montáži chrániča alebo pri údržbe čepele majte vždy nasadené rukavice. Dajte si pozor na ostré hrany na chrániči a chráňte si ruky pred porezaním.

### Po každom použití vyčistíte kosačku.

**VAROVANIE:** Prekážky vo vetracích otvoroch bránia prívodu vzduchu do krytu motora, čoho následkom je prehriatie alebo poškodenie motora.

- Používajte iba mydlový roztok a vlhkú handričku na čistenie náradia. Zabraňte preniknutiu akejkoľvek kvapaliny do vnútorných častí náradia; Nikdy neponárajte žiadnu časť náradia do kvapaliny.
- Udržujte vetracie otvory v kryte motora vždy bez nečistôt.

**VAROVANIE:** Nikdy nepoužívajte vodu na čistenie nožníc. Na čistenie plastových dielov nepoužívajte rozpúšťadlá. Väčšina plastov je náchylná na poškodenie z rôznych typov komerčných rozpúšťadiel. Použite čisté handry na odstránenie nečistôt, prachu, oleja, maziva, atď.

## NASTAVENIE DĺŽKY REZNEJ STRUNY

Strunová hlava umožňuje obsluhu predĺžiť rezáciu strunu bez zastavenia motora. Keď sa struna rozstrapká alebo opotrebuje, je možné vysunúť ďalšiu strunu ľahkým poklepaním hlavy kosačky o zem počas jej používania (obr. Q).

**UPOZORNENIE:** Vysúvanie struny sa stáva ťažšie, keď sa struna skrakuje.

**VAROVANIE:** Neodstraňujte alebo nemeňte zostavu strunovej rezacej čepele. Nadmerná dĺžka struny môže spôsobiť prehriatie motora a môže dôjsť k vážnemu zraneniu.

## VÝMENA STRUNY

**UPOZORNENIE:** Vždy používajte odporúčanú nylonovú strunu s priemerom, ktorý nepresahuje 2,4 mm. Použitie inej struny, než je uvedené, môže spôsobiť prehriatie alebo poškodenie strunovej kosačky.

**VAROVANIE:** Nikdy nepoužívajte kovom vystužené struny, dróty, šnúry atď. Môžu sa odtrhnúť a stať sa nebezpečnými projektíliami.

1. Vyberte batériu.
2. Odstráňte zvyšnú strunu, ak je to nutné.
3. Odrežte 4 m rezacej struny, vložte ju do montážneho otvoru vnútri očka (obr. R). Pretlačte a vyťahnite strunu z druhej strany, pokiaľ nebude rovnaká dĺžka struny na oboch stranách cievky.
4. Stlačte počas otáčania spodnej časti krytu v smere šípky, aby ste strunu navinuli na cievku, až kým na každej strane nie je vidieť približne 14 cm struny (obr. S).
5. Popri ťahaní struny zatlačte spodnú časť krytu smerom nadol, aby ste manuálne posunuli struny a skontrolovali správnu montáž hlavy kosačky.

Keď sa rezacia struna odtrhne na výstupe struny alebo sa rezacia struna nevysunie pri poklepaní na strunovú hlavu, postupujte podľa nasledujúcich krokov:

1. Stlačte uvoľňovacie jazyčky na hornom kryte a odmontujte spodnú časť krytu tak, že ju rovno vytiahnete von (obr. T a U).
2. Odstráňte rezáciu strunu z cievky.
3. Jednou rukou držte spodnú časť krytu, druhou rukou uchopte spodnú časť krytu a zarovnajtie jazyčky na hornom kryte s otvormi v spodnej časti krytu (obr. V); Dľaňou tlačte na dolnú časť krytu, kým sa jazyčky nezablokujú horným krytom.
4. Za účelom natiiahnutia novej rezacej struny postupujte podľa pokynov v časti „VÝMENA STRUNY“.

## ÚDRŽBA

**VAROVANIE:** Pri servise používajte iba identické náhradné diely. Pravidelne kontrolujte a udržiavajte stroj. Pre zaistenie bezpečnosti a spoľahlivosti je nevyhnutné, aby všetky opravy vykonával len kvalifikovaný servisný technik.

**VAROVANIE:** Nástroje na batérie nemusia byť zapojené do elektrickej zásuvky; preto sú vždy v prevádzkovom stave. Aby nedošlo k vážnemu zraneniu, prijmite osobitné opatrenia a pozornosť pri vykonávaní údržby, opravy alebo výmene rezacieho alebo iného príslušenstva.

**VAROVANIE:** Aby nedošlo k vážnemu zraneniu, tak pred vykonávaním údržby, čistením, výmenou príslušenstva alebo odstraňovaním materiálu z prístroja vyberte akumulátor z náradia

## ČISTENIE PRÍSTROJA

- Výrobok čistite vlhkou handričkou a jemným saponátom.
- Nepoužívajte žiadne silné čistiace prostriedky na plastovom kryte alebo rukoväti. Môžu byť poškodené určitými aromatickými olejmi, ako je borovica a citrón, a rozpúšťadlami, ako je petrolej. Vlhkosť môže tiež spôsobiť nebezpečenstvo úrazu elektrickým prúdom. Akúkoľvek vlhkosť poutierajte mäkkou a suchou handrou.
- Použite malú kefu alebo vzduch z malého vysávača s kefkou na vyčistenie vetracích otvorov na zadnom kryte.

## MAZANIE PREVODOVKY

Prevody v prevodovej skriní sa musia pravidelne mazať prevodovým mazivom. Skontrolujte hladinu prevodového maziva v prevodovke približne každých 50 prevádzkových hodín odstránením tesniacej skrútky na boku skrine.

Ak na stranách prevodov nie je vidno žiadne mazivo, postupujte podľa pokynov pre naplnenie prevodovým mazivom až do 3/4 kapacity. Nezaplňte celkom prevody.



1. Pridržte strunovú kosačku na boku, aby tesniaca skrutka smerovala nahor (obr. W).
2. Pomocou dodaného multifunkčného kľúča povolte a odstráňte tesniacu skrutku.
3. Použite mazacu striekačku (nie je súčasťou dodávky) na zavedenie maziva do otvoru pre skrutku; neprekročte 3/4 kapacity.
4. Po naplnení utiahnete tesniacu skrutku.

### SKLADNENIE PRÍSTROJA

- Keď strunovú kosačku nepoužívate, vyberte z nej akumulátor.
- Pred uložením prístroj dôkladne vyčistite.
- Prístroj skladujte na suchom a dobre vetranom uzamknutom alebo vyvýšenom mieste mimo dosahu detí. Neskladujte zariadenie v blízkosti hnojív, benzínu alebo iných chemikálií.

### Ochrana životného prostredia



Nevyhadzujte elektrické zariadenia, nabíjačku batérií a batérie / akumulátory do domového odpadu!

Podľa európskej smernice 2012/19/EU elektrické a elektronické zariadenia, ktoré už nie sú použiteľné a podľa európskej smernice 2006/66/EC chybné alebo použité akumulátory / batérie sa musia zhromažďovať oddelene.

Ak sú elektrické spotrebiče likvidované na neorganizovaných skládkach alebo smetiskách, môžu nebezpečné látky unikať do podzemných vôd, dostať sa do potravinového reťazca a poškodzovať zdravie.

## RIEŠENIE PROBLÉMOV

PROBLÉM	PRÍČINA	RIEŠENIE
Strunová kosačka sa nespustí.	<ul style="list-style-type: none"> <li>■ Akumulátor nie je pripojený do strunovej kosačky.</li> <li>■ Žiadny elektrický kontakt medzi kosačkou a batériou.</li> <li>■ Akumulátor je vybitý.</li> <li>■ Zaisťovacie tlačidlo a vypínač nie sú stlačené súčasne.</li> </ul>	<ul style="list-style-type: none"> <li>■ Pripojte akumulátor do kosačky.</li> <li>■ Vyberte batériu, skontrolujte kontakty a nainštalujte akumulátor.</li> <li>■ Nabite akumulátor.</li> <li>■ Zatláčajte zaisťovacie tlačidlo a podržte ho, potom stlačte vypínač, aby ste strunovú kosačku zapli.</li> </ul>
Prie sekání se strunová sekačka zastaví.	<ul style="list-style-type: none"> <li>■ Chránič nie je namontovaný na kosačke, čo spôsobuje príliš dlhý rez a preťaženie motora.</li> <li>■ Je použitá príliš ťažká struna.</li> <li>■ Tráva sa namotala na hriadeľ motora alebo hlavu kosačky.</li> <li>■ Motor je preťažený.</li> <li>■ Akumulátor alebo strunová kosačka sú príliš horúce.</li> <li>■ Akumulátor je odpojený od nástroja.</li> <li>■ Akumulátor je vybitý.</li> </ul>	<ul style="list-style-type: none"> <li>■ Vyberte akumulátor a namontujte chránič na kosačku.</li> <li>■ Používajte odporúčanú nylonovú rezaciu strunu s priemerom najviac 2,4 mm.</li> <li>■ Zastavte kosačku, vyberte batériu a odstráňte trávu z hriadeľa motora a hlavy kosačky.</li> <li>■ Vytiahnite hlavu kosačky z trávy. Motor sa rozbehne, keď sa preťaženie odstráni. Pri kosení pohybujte hlavou kosačky smerom do trávy a z nej tak, aby sa pokosila, ale nie o viac než 20 cm dĺžka jedným seknutím.</li> <li>■ Nechajte akumulátor alebo strunovú kosačku vychladnúť, až kým teplota neklesne pod 67 °C.</li> <li>■ Znovu vložte akumulátor.</li> <li>■ Nabite akumulátor.</li> </ul>
Ze strunové hlavy se nevysouvá struna.	<ul style="list-style-type: none"> <li>■ Tráva sa namotala na hriadeľ motora alebo hlavu kosačky.</li> <li>■ Na cievke nie je dostatok struny.</li> <li>■ Strunová hlava je znečistená.</li> <li>■ Struna je zamotaná na cievke.</li> <li>■ Struna je príliš krátka.</li> </ul>	<ul style="list-style-type: none"> <li>■ Zastavte kosačku, vyberte batériu a vyčistíte hriadeľ motora a hlavu kosačky.</li> <li>■ Vyberte batériu a vymeňte strunu; postupujte podľa časti „VÝMENA STRUNY“ v tomto návode na obsluhu.</li> <li>■ Vyberte batériu a vyčistíte hlavu kosačky.</li> <li>■ Vyberte batériu, vytiahnite strunu z hlavy kosačky a prevíňte ju; postupujte podľa časti „VÝMENA REZACEJ STRUNY“ v tomto návode na obsluhu.</li> <li>■ Vyberte batériu a ručne vytiahnite struny, pričom zároveň striedavo stláčate a uvoľňujete hlavu kosačky.</li> </ul>

PROBLÉM	PRÍČINA	RIEŠENIE
Tráva obaľuje hlavu kosačky a kryt motora.	<ul style="list-style-type: none"><li>▪ Kosenie vysokej trávy na úrovni terénu.</li></ul>	<ul style="list-style-type: none"><li>▪ Vysokú trávu koste zhora nadol, pričom pri každom seknutí odstránite najviac 20 cm, aby nedošlo k namotaniu.</li></ul>
Trhliny na hlave strunovej kosačky alebo spodná časť krytu uvoľňujúca sa z horného krytu.	<ul style="list-style-type: none"><li>▪ Strunová hlava je opotrebovaná.</li></ul>	<ul style="list-style-type: none"><li>▪ Nechajte ihneď vymeniť hlavu kosačky kvalifikovaným servisným technikom.</li></ul>

## ZÁRUKA

### ZÁRUČNÁ POLITIKA EGO

Navštívte webové stránky [egopowerplus.com](http://egopowerplus.com) pre úplné podmienky záručnej politiky spoločnosti EGO.

## OLVASSA EL AZ ÖSSZES UTASÍTÁST!



OLVASSA EL A HASZNÁLATI ÚTMUTATÓT

**⚠ Maradék kockázat!** Az elektronikus készülékekkel, például pacemakerrel, élő emberek a termék használata előtt kérjék ki orvos véleményét. Az elektromos felszerelés a szív pacemakerhez közel való működtetése interferenciát vagy meghibásodást okozhat a pacemakerben.

**⚠ FIGYELMEZTETÉS:** A biztonságosság és megbízhatóság biztosítása érdekében minden javítást szakképzett szerviztechnikus hajtson végre.

## BIZTONSÁGI SZIMBÓLUMOK

A biztonsági szimbólumok célja, hogy felhívják a figyelmet az esetleges veszélyekre. Nagyon figyeljen a biztonsági szimbólumokra és magyarázatokra, ill. ezek megértésére. A szimbólumok figyelmeztetéseit önmagukban nem hártják el a veszélyeket. Az utasítások és figyelmeztetések nem helyettesítik a megfelelő balesetmegelőző intézkedéseket.

**⚠ FIGYELMEZTETÉS:** A szerszám használata előtt feltétlenül olvassa el a jelen használati útmutató minden biztonsági utasítását, a „VESZÉLY”, „FIGYELMEZTETÉS” és „FIGYELEM” biztonsági szimbólumokat is. Az alább felsorolt utasítások be nem tartása áramütést, tűzveszélyt és/vagy súlyos személyi sérülést idézhet elő.

## SZIMBÓLUM JELENTÉSE

**BIZTONSÁGI SZIMBÓLUM: VESZÉLYT** vagy **FIGYELMEZTETÉST** jelöl. Más szimbólumokkal vagy rajzokkal együtt használható.



**⚠ FIGYELMEZTETÉS:** Bármely elektromos kéziszerszám működtetése azzal járhat, hogy idegen tárgyak szembe kerülnek, amely súlyos szemsérüléseket okozhat. Az elektromos kéziszerszám működtetése előtt, mindig vegyen fel oldalsó védőlemezzel ellátott védőszemüveget és a teljes védőálarcot, ha szükséges. Javasoljuk, hogy viseljen Wide Vision Safety Mask-ot (védőálarc) a védőszemüveg fölött vagy standard védőszemüveget oldalsó védőlemezzel.

## BIZTONSÁGI UTASÍTÁSOK

Ezen az oldalon olyan biztonsági szimbólumok láthatók és olvashatók, amelyek megjelenhetnek a terméken. Az összeszerelés vagy működtetés előtt olvassa el, értsen meg és tartsa be a gép minden utasítását.

	Biztonsági figyelmeztetés	Potenciális személyi sérülés veszélyét jelzi.
	Olvassa el a használati útmutatót	A sérülések kockázatának csökkentése érdekében a termék használata előtt a felhasználónak el kell olvasnia a használati útmutatót és meg kell érteni az abban foglaltakat.
	Viseljen szemvédőt	Mindig viseljen hallásvédőt a termék működtetése közben.
	Viseljen fülvédőt	Mindig viseljen hallásvédőt a termék működtetése közben.
	Nincs vágópenge	Ne szereljen fel műanyag vagy fém vágópengét
	Tartsa távol a nézelődőket	Ügyeljen arra, hogy más személyek és a háziállatok legalább 15 m távolságban legyenek a fűkasza használata közben.
	Tartsa távol a nézelődőket	Ügyeljen arra, hogy más személyek és a háziállatok legalább 15 m távolságban legyenek a fűkasza használata közben.
	Zaj	Hangnyomás szint
	Külső behatásokkal szembeni védelem	Fröccsenő víz elleni védelem
V	volt	Feszültség
mm	milliméter	Hossz vagy méret
cm	centiméter	Hossz vagy méret
	Egyenáram	Áram típusa vagy jellemzői

$n_0$	Üresjárat fordu- latszám	Forgási sebesség üres- járatban
min <sup>-1</sup>	Percenként	Fordulat percenként

## FONTOS BIZTONSÁGI UTASÍTÁSOK

**⚠ FIGYELMEZTETÉS!** Amikor elektromos fűkaszt használ, mindig tartsa be az alapvető biztonsági óvintézkedéseket a tűzveszély, áramütés és baleset megelőzése érdekében az alábbiakkal együtt:

## OLVASSA EL AZ ÖSSZES UTASÍTÁST

**⚠ VESZÉLY!** Ne hagyatkozzon kizárólag a szerszám áramütés elleni szigetelésére. Az áramütés kockázatának csökkentése érdekében soha ne működtesse a szerszámot vezetékek vagy kábelek közelében, amelyek elektromos áramot vezethetnek.

**⚠ FIGYELEM:** Használat közben viseljen megfelelő személyes hallásvédőt. Bizonyos körülmények között és használati idő után a termék halláskárosodást okozhat.

## GYAKORLÁS

- Körültekintően olvassa el az utasításokat. Ismerje meg a gép szabályozását és helyes használatát.
- Ne engedélyezze a gép használatát gyermekeknek vagy olyan személyeknek, akik nem ismerik ezeket az utasításokat. A helyi rendelkezések korlátozásokat tartalmazhatnak a szerszám működtetőjének életkorára vonatkozóan.
- Ne feledje, hogy a szerszám működtetője a felelős azokért a balesetekért vagy veszélyekért, amelyek más embereket érintenek vagy mások vagyon tárgyait érintik.

## ELŐKÉSZÍTÉS

- Soha ne működtesse a gépet, ha emberek, különösen gyermekek, vagy kis állatok vannak a közelben.
- A gép működtetése közben mindig viseljen védőszemüveget és vastagtalpú cipőt.
- A gép és a nézelődők közötti távolság legalább 15 m legyen.
- Semmilyen fém penge nem használható.

## ÜZEMELTETÉS

- Csak nappali világosságnál vagy megfelelő mesterséges megvilágítás mellett használja a terméket.
- Soha ne üzemeltesse a gépet sérült védőelemekkel vagy pajzsokkal vagy a helyükön lévő védőelemek és pajzsok nélkül.

- A motort csak akkor kapcsolja be, ha a kezei és lábai távol vannak a vágóeszközöktől.
- Mindig húzza ki a gépet a hálózati aljzatról (pl. húzza ki a csatlakozódugót a hálózati aljzatról, vagy távolítsa el az üzemen kívül helyezett készüléket),
  - ha a gépet felügyelet nélkül hagyja;
  - mielőtt megszüntetne egy eltömődést;
  - mielőtt ellenőrzi, tisztítja vagy bármilyen más munkát végez a készüléken.
  - ha idegen tárgyba akadt;
  - ha a termék szokatlan módon elkezd rázkódni.
- Legyen óvatos, nehogy a vágószerszám megsebesítse a kezét vagy lábát.
- Mindig gondoskodjon arról, hogy a szellőzőnyílások hulladéktól mentesek legyenek.

## KARBANTARTÁS ÉS TÁROLÁS

- Mindig húzza ki a gépet a hálózati aljzatról (pl. húzza ki a csatlakozódugót a hálózati aljzatról, távolítsa el az üzemen kívül helyezett készüléket) karbantartás vagy tisztítás előtt.
- Csak a gyártó által javasolt pótalkatrészeket és tartozékokat használja.
- Rendszeresen ellenőrizze a gépet, és végezzen karbantartást. A gép javítását csak felhatalmazott szerelő végezheti el.
- Gyermekek által hozzá nem férhető helyen tárolja a gépet, amikor nem használja azt.

## EGYÉB BIZTONSÁGI FIGYELMEZTETÉSEK

- Kerülje a veszélyes környezetet – Ne használja a fűkaszt nedves vagy vizes helyeken.
- Mindig kapcsolja ki a fűkaszt, vagy vegye ki az akkumulátoregységet, ha felügyelet nélkül hagyja a fűkaszt.
- Ne használja esőben.
- A gyermekeket tartsa távol – Minden vendéget tartson távol a munkaterülettől.
- Megfelelően öltözzön fel – Ne viseljen laza ruházatot vagy ékszereket. Beakadhatnak a mozgó alkatrészekbe. Amikor kint dolgozik, gumikesztyű és megfelelő cipő viselése javasolt. Viseljen védőhálót a hajához, hogy a hosszú hajat fel tudja kötni.
- Használjon védőszemüveget - A gép használata során mindig használjon védőszemüveget.
- Használja a megfelelő készüléket – Ne használja a fűnyírórt más munkához, csak amihez készült.
- Ne erőltesse a fűkaszt – jobban és biztonságosabban, sérülések alacsonyabb kockázatával dolgozhat a megadott teljesítményhatárokon belül.

- Ne hajoljon túl – Vegyen fel stabil testhelyzetet, és mindig tartsa meg az egyensúlyát.
- Legyen figyelmes – figyeljen oda arra, amit csinál. Használja a józan eszét. Ne használja a fűkaszt, ha fáradt.
- Ne működtesse a motoros láncfűrész alkohol vagy kábítószer hatása alatt.
- Tartsa a helyén és működőképesen a védőburkolatot.
- A fűkaszt beltéren tárolja – Amikor nem használja a fűkaszt, akkor tárolja beltéren száraz és magas vagy elzárt helyen, az akkumulátoregység ne legyen benne – és tartsa gyermekektől elzárva.
- A fűkaszt óvatosan tartsa karban – A legjobb teljesítmény és a sérülésveszély csökkentése érdekében tartsa tisztán a vágóegységet. Tartsa be a tartozékok cseréjére vonatkozó utasításokat. Tartsa szárazon, tisztán, olajtól és zsírtól mentesen a fogantyúkat.
- Ellenőrizze a sérült alkatrészeket – A fűkasza használata előtt gondosan ellenőrizze a sérült védőburkolatot vagy alkatrészt, hogy megállapítsa, megfelelően működik-e, és a funkciójának megfelelő teljesítményt nyújtja-e. Ellenőrizze a mozgó részek beállítását és rögzítését, vizsgáljon meg minden részt, nem sérült-e, és ellenőrizze, nem állnak-e fenn olyan körülmények, amelyek befolyásolhatják a helyes kezelést. Megfelelő módon javíttassa meg vagy cseréltesse ki egy hivatalos szervizközpontban a sérült védőburkolatot vagy más alkatrészt, ha másként nincs feltüntetve a jelen használati útmutatóban.
- Minden használat előtt tisztítsa meg a nyírándó területet. Távolítson el minden tárgyat, pl. követ, törött üveget, tűt, vezetéket vagy zsinórt, amely beakadhat a vágóegységbe. Gondoskodjon arról, hogy más személyek és állatok legalább 15 m-re legyenek.
- Mielőtt ismételten használni kezdené a készüléket ütközés után, vizsgálja meg a készüléket elkopás vagy sérülés szempontjából, szükség esetén javíttassa meg.
- Működés közben mindig tartsa stabilan, két kézzel a fűkaszt. Helyezze az ujjait a fogantyúk kóré.
- Kerülje a véletlenszerű indítást – Szállítás közben ne legyenek az ujjai a triggeren.
- Ne működtesse a fűkaszt benzines vagy robbanékony környezetben. A készülékben lévő motorok szikrákat képeznek, a szikrák pedig lángra gyúlnhatnak.
- A fűkasza sérülése – Ha a fűkasza idegen tárgyhoz ütdök, vagy valamibe beakad, akkor azonnal állítsa le a szerszámot, vegye ki az akkumulátoregységet a fűkaszból, ellenőrizze, hogy nem sérült-e meg, és bármilyen sérülést javítson meg a további működtetés előtt. Ne működtesse törött védőburkolattal vagy orsóval.
- Ha a felszerelés rendellenesen vibrálni kezd, akkor azonnal állítsa le a motort, és vegye ki az akkumulátoregységet a fűkaszból. Azonnal ellenőrizze az okot. A vibráció általánosságban problémára figyelmeztet. A laza fej vibrálhat, megrepedhet, eltörhet vagy lejjöhet a fűkaszáról, amely súlyos vagy végzetes sérülést okozhat. Győződjön meg arról, hogy a vágóegység megfelelően van-e rögzítve. Ha a fej rögzítés után kilazul, azonnal cserélje ki. Soha ne használja a fűkaszt laza vágóegységgel.
- Azonnal cserélje ki a repedt, sérült vagy kopott vágófejet, akkor is, ha a sérülés csak felületi repedéseket jelent. Az ilyen alkatrészek nagy sebességen darabokra törhet, és súlyos vagy végzetes sérülést okozhatnak.
- Működés közben ellenőrizze a vágóegységet rendszeresen, rövid időközönként, vagy azonnal, ha látható a vágás láthatóan megváltozik.
- Csak az EGO™ által engedélyezett polimer vágószál tartozékokat és olyan vágószálakat használjon, amelyek ehhez a szerszámhoz készültek. Még ha néhány nem engedélyezett tartozék meg is felel az EGO™ fűkaszához, a használatuk rendkívül veszélyes lehet, és/vagy megrongálhatja a szerszámot.
- A súlyos sérülések kockázatának csökkentése érdekében soha ne használjon vezetéket vagy fémmel merevített zsinórt vagy más anyagot a nylon vágószál helyett. A zsinór darabjai letörhetnek, nagy sebességnél a kezelő vagy a nézelődők felé repülhetnek.
- A fűkasza feletti uralmának elvesztése miatt okozott sérülések kockázatának csökkentése érdekében soha ne dolgozzon létrán vagy más nem biztonságos támasztékon. Soha ne tartsa a vágóegységet derékmagasságon felül.
- Nemelyben olyan helyzet adódik, amely nem szerepel a jelen használati útmutatóban, akkor óvatosan és kellő mérlegeléssel cselekedjen. Forduljon az EGO szervizközponthoz segítségért.
- Ne töltsze az akkumulátoregységet esőben vagy nedves helyiségekben.
- Kizárólag EGO akkumulátoregységeket és töltőket használjon.

AKKUMULÁTOREGYSÉG	TÖLTŐ
BA1120E, BA1400, BA2240E BA2800, BA3360, BA4200, BA1400T, BA2800T, BA4200T	CH2100E, CH5500E

- Az akkumulátoregységet ki kell venni, mielőtt kicserélné a készüléket.
- Az akkumulátort biztonságosan kell ártalmatlanítani.
- NE dobja tűzbe az akkumulátort. A cellák felrobbanhatnak. A helyi hatóságoknál ellenőrizze a lehetséges speciális ártalmatlanítási utasításokat.

- Ne nyissa ki, és ne rongálja meg az akkumulátort. A felszabaduló elektrolit maró hatású, és sérülést okozhat a szemben vagy a bőrön. Lenyelve mérgező lehet.
- Bányon nagyon óvatosan az akkumulátorokkal, hogy ne zárja rövidre olyan vezetőképes anyagokkal, mint a gyűrűk, karkötők és kulcsok. Az akkumulátor vagy a konduktor túlmelegedhet, és égési sérülést okozhat.
- Javításkor használjon azonos EGO™ pótalkatrészeket. Bármilyen másik tartozék vagy alkatrész használata megnöveli a sérülések kockázatát.
- Az akkumulátorral működő szerszámokat nem kell hálózati aljzathoz csatlakoztatni; ezért mindig működőképes állapotban vannak. Ügyeljen a lehetséges veszélyekre, akkor is, ha a szerszám nem működik. Legyen óvatos karbantartás és szervizelés közben.
- Ne mossa tömlővel; ne kerüljön víz a motorba és az elektromos csatlakozásokba.
- Őrizze meg ezeket az utasításokat. Időnként olvassa át, és használja, amikor másokat a kéziszerszám használatára tanít be. Ha valakinek kölcsön adja a szerszámot, akkor adja át a használati utasítást is a helytelen használat és lehetséges sérülések elkerülése érdekében.
- Mindig viseljen megfelelő lábbelit és hosszúszerű nadrágot a gép üzemeltetése közben.
- Mindig ügyeljen a testhelyzetére lejtőkön, és sétáljon, soha ne fusson.

### ŐRIZZE MEG EZEKET AZ UTASÍTÁSOKAT!

## MŰSZAKI ADATOK

Voltaj	56 V ---
Turajtje la mers in gol	5000/6000 min <sup>-1</sup>
Vágómechanizmus	Ütköző fej
Vágószál típusa	2,4 mm sodrott nejlón vágószál
Vágásszélesség	38 cm
Súly (akkumulátoregység nélkül)	4,21Kg
Mért hangteljesítményszint L <sub>WA</sub>	94,3 dB(A) K=1,37 dB(A)
Hangnyomásszint a kezelő fülénél L <sub>PA</sub>	82,6 dB(A) K= 3 dB(A)
Mért hangteljesítményszint L <sub>WA</sub> (a 2000/14/EK szerint)	96 dB(A)

Vibráció a <sub>h</sub>	Hátsó fogantyú	3,97 m/s <sup>2</sup> K=1,5 m/s <sup>2</sup>
	Elülső segédfo-gantyú	2,78 m/s <sup>2</sup> K=1,5 m/s <sup>2</sup>

## CSOMAGOLÁSI LISTA

ALKATRÉS Z NEVE	MENNYISÉG
Fűkasza	1
Védőburkolat	1
Összeszerelt elülső segédfogantyú	1
Imbuszkulcs	1
Multifunkciós csavarkulcs	1
Vállszij	1
Használati útmutató	1

## LEÍRÁS

### ISMERJE MEG A FŰKASZÁT (A. ábra)

1. Határoló gyűrű
2. Kapcsoló
3. Hátsó fogantyú
4. Légbemenet
5. Kioldó gomb
6. Magas/alacsony sebesség kapcsoló
7. Vállszij Akasztó
8. Beállítható elülső segédfogantyú
9. Vállszij
10. Multifunkciós csavarkulcs
11. Imbuszkulcs
12. Fűkasza fej (ütköző fej)
13. Vágószál
14. Kioldó gomb
15. Vágópenge
16. Védőburkolat
17. Kioldó mechanizmus
18. Elektromos érintkezők
19. Zár
20. Gumi alátét
21. Akkumulátor kioldógomb

## ÖSSZESZERELÉS

**⚠ FIGYELMEZTETÉS:** Ha bármely alkatrész sérült vagy hiányzik, akkor ne működtesse a terméket, amíg az alkatrészeket ki nem cserélik. Sérült vagy hiányzó alkatrészekkel való használat súlyos személyes sérülést okozhat.

**⚠ FIGYELMEZTETÉS:** Ne változtassa meg a terméket és ne készítsen hozzá olyan tartozékokat, amelyek nem javasoltak ehhez a készülékhez. Bármilyen módosítás vagy változtatás helytelen használatnak minősül, és veszélyes feltételeket teremthet, amely súlyos személyi sérüléssel végződhet.

**⚠ FIGYELMEZTETÉS:** A véletlenszerű indítás elkerülése érdekében, amely súlyos személyi sérülést okozhat, mindig vegye ki az akkumulátoregységet a szerszámból, amikor összeszereli az alkatrészeket.

### A VÉDŐBURKOLAT FELSZERELÉSE

**⚠ FIGYELMEZTETÉS:** A védőburkolat felszerelése vagy cseréje során mindig viseljen kesztyűt. Legyen óvatos a védőburkolat alatti pengével, és óvja a kezét vágástól.

**⚠ FIGYELMEZTETÉS:** Soha ne működtesse a szerszámot, ha a védőburkolat nincs megfelelően a helyén. A védőburkolatnak mindig a szerszámon kell lennie a használat védelme érdekében! Ha a védőburkolat rögzítve van, akkor soha ne próbálja meg eltávolítani vagy beállítani, ha ki kell cserélni, akkor azt szakképzett szerviztechnikus végezze!

1. Lazítsa meg, és vegye le a két csavart a védőburkolatról (B ábra).
2. Illessze a rögzítőfuratokat a szerelési lyukakat, majd rögzítse a védőburkolatot a tengely talpához a két csavarral és a két rugós alátéttel (C. ábra).

**MEGJEGYZÉS:** Ellenőrizze, hogy a védőburkolat a B és C ábrának megfelelően rögzítve van-e, a fordított rögzítés nagy veszélyt okozhat!

### AZ ELÜLSŐ SEGÉDFOGANTYÚ FELSZERELÉSE ÉS BEÁLLÍTÁSA

1. Lazítsa meg az elülső segédfogantyú rögzítőrúdját, és vegye le a rögzítőrudat az elülső segédfogantyúról (D ábra).

A D ábra alkatrészeinek leírását lásd lent:

D-1	rögzítőrúd	D-3	Rögzítőkapocs
D-2	Elülső segédfogantyú	D-4	Szárnyas anya

2. Nyomja az elülső segédfogantyút a tengelyre (E ábra).
3. Helyezze a rögzítőkapcsot a fogantyú nyílásba (F. ábra).
4. Szerelje fel a rögzítőrudat, és húzza meg őket a szárnyas anyával. Ellenőrizze, hogy az elülső fogantyú felfelé és a hátsó fogantyú felé néz-e (G. ábra).
5. Állítsa az elülső segédfogantyút a határoló gyűrű és a címke közé, hogy biztosítsa az első kar egyenességét a működtetés közben (H ábra).
6. Zárja le a rögzítőrúd karját. (I. ábra).

**MEGJEGYZÉS:** Az elülső segédfogantyút felfelé kell fordítani, hogy a hátsó fogantyú teteje felé mutasson.

**⚠ FIGYELMEZTETÉS:** Csak az elülső segédfogantyút rögzítse a határoló gyűrű és a tengelyen lévő címke közé.

**⚠ FIGYELMEZTETÉS:** A szerszám nem használható a biztonságosan rögzített elülső segédfogantyú nélkül.

### A VÁLLSÍJ FELSZERELÉSE

Nyomja le a vállsíz kampóját a kinyitáshoz, és csatlakoztassa a vállsíz akasztójához (J ábra).

## MŰKÖDTETÉS

**⚠ FIGYELMEZTETÉS:** Ne hagyja, hogy a termékkel szerzett jártassága miatt óvatlanná váljon. Emlékezzen arra, hogy a másodperc töredéke alatt történő óvatlanság súlyos sérülést okozhat.

**⚠ FIGYELMEZTETÉS:** Mindig viseljen biztonsági szemvédőt, vagy oldalsó ellenzővel felszerelt szemüveget, valamint fülvédőt. Ezek elmulasztásával tárgyak szóródhatnak a szemébe, vagy egyéb súlyos sérülést okozhatnak.

**⚠ FIGYELMEZTETÉS:** Ne használjon a termék gyártója által nem javasolt tartozékokat. A nem javasolt tartozékok használata súlyos személyi sérülést okozhat.



**▲ FIGYELMEZTETÉS:** A súlyos személyi sérülések elkerülése érdekében távolítsa el az akkumulátoregységet a szerszámból szervizelés, tisztítás, tartozékok cseréje vagy anyagok szerszámból való eltávolítása közben.

A terméket az alábbi célokra használhatja:

**Nyesés:** a falak, kerítések, fák és szegélyek tövében lévő fű vágására használja.

**Vágás:** olyan helyen használja a fű vágására, amit a normál fűnyíró nehezen érne el.

**MEGJEGYZÉS:** A szerszámot csak az előírt célokra használja. Bármilyen más használat, például szegélynyírás helytelen használatnak minősül.

## AZ AKKUMULÁTOREGYSÉG BERAKÁSA/ KIVÉTELE

### Az első használat előtt teljesen tölts fel

#### Csatlakoztatáshoz

Illessze az akkumulátor bordáit a szerelőnyílásokba és nyomja le az akkumulátoregységet, amíg kattanást nem hall (K. ábra).

#### Leválasztáshoz

Oldja ki az akkumulátor kioldógombot, és húzza ki az akkumulátoregységet, ahogy az L ábrán látható.

A L ábra alkatrészeinek leírását lásd lent:

L-1	Akkumulátor - kioldógomb
-----	--------------------------

## A FŰKASZA TARTÁSA

**▲ FIGYELMEZTETÉS:** Megfelelően öltözzön fel a sérülések kockázatának csökkentése érdekében, amikor a szerszámot működteti. Ne viseljen laza ruházatot vagy ékszereket. Viseljen szem-/fülvédőt. Viseljen strapabíró, hosszú szárú nadrágot, cipőt és kesztyűt. Ne viseljen rövidnadrágot vagy szandált, és ne járjon meztírláb.

Működtetés előtt álljon működtetési pozícióba, és ellenőrizze a védőszemüveget és a megfelelő ruházatot, álljon egyensúlyban, egyenes karral, és fogja az elülső segédfogantyút.

**MEGJEGYZÉS:** A fűkasza fej legyen párhuzamos a talajjal megfelelő vágási távolságban, és a kezelő ne hajoljon fölé (N. ábra).

A biztonságos és jobb üzemelés érdekében helyezze fel a vállszíjat a vállára N. ábrán látható módon. A vállszíjat kényelmes működési pozícióba állítsa. Két kézzel tartsa a fűkaszt: Az egyik keze legyen a hátsó fogantyún és a másik az első segédfogantyún.

A szíj kioldásának kétféle módja van. Közvetlenül a válláról vegye le (O ábra), vagy nyomja meg az kampót a szíjjon, és vegye le a tengelyre rögzített akasztót (P ábra).

**▲ FIGYELMEZTETÉS:** A vállszíj is egy gyorskioldó mechanizmus veszélyes helyzetben. Ha vészhelyzet adódik, akkor azonnal vegye le a válláról, függetlenül attól, hogyan van feltéve a szíj.

## A FŰKASZA INDÍTÁSA/LEÁLLÍTÁSA (M. ábra)

### Indítás

Nyomja meg a kioldó gombot, majd nyomja meg a kapcsolót. A kapcsoló megnyomásának erősségétől függően változik a vágószál sebessége. Erősebb nyomásnál nagyobb a sebesség.

### Leállítás

Engedje el a kapcsolót.

**MEGJEGYZÉS:** A motor csak akkor működik, ha a kioldó gombot és a kapcsolót is nyomva tartja.

**▲ FIGYELMEZTETÉS:** Mindig vegye ki az akkumulátoregységet a fűkaszból, ha megszakítja a munkát, és a munka befejezése után.

### Sebességállító funkció (M. ábra)

A fűkasza két sebességgel működik. Az „1.” pozíció az alacsony sebességet, míg a „2.” pozíció a nagy sebességet jelöli. Tolja vagy húzza a magas/alacsony sebességkapcsolót a megfelelő sebesség kiválasztásához működés közben.

Az M. ábra alkatrészeinek leírását lásd lent:

M-1	Magas/alacsony sebesség kapcsoló
M-2	Kioldó gomb
M-3	Kapcsoló

## A FŰKASZA HASZNÁLATA

**▲ FIGYELMEZTETÉS:** A súlyos személyi sérülések elkerülése érdekében mindig viseljen védőszemüveget az egység működtetésekor. Viseljen arc- vagy porvédő maszkot poros körülmények között.

Minden használat előtt tisztítsa meg a nyírándó területet. Távolítsa el minden tárgyat, pl. követ, törött üveget, fűt, vezetéket vagy zsinórt, amely beakadhat a vágóegységbe. A területen ne legyenek gyermekek, nézelődők vagy állatok. Minden nézelődő, gyermek és állat legalább 15 m távolságban legyen; még így fennáll a veszélye, hogy tárgyak repülnek a nézelődők felé. A nézelődők is viseljenek védőszemüveget. Amikor Ön felé közeledik valaki, azonnal állítsa le a motort és a vágóegységet.

A sérült/kopott alkatrészek ellenőrzése minden használat előtt

Ellenőrizze az ütköző fejet, védőburkolatot és első segédfogantyút, és cserélje ki a repedt, behajolt vagy sérült alkatrészeket.

A védőburkolat szélén lévő vágópenge egy idő után tompa lehet. Javasoljuk, hogy időnként élezze meg reszelővel, vagy cserélje ki új pengére.

**▲ FIGYELMEZTETÉS:** A védőburkolat szerelése vagy a penge szervizelése során mindig viseljen kesztyűt. Legyen óvatos a védőburkolat alatti pengével, és óvja a kezét vágástól.

## Minden használat után tisztítsa meg a fűkaszát.

**▲ VIGYÁZAT:** A szellőzőnyílásokban lévő akadályok megakadályozzák, hogy levegő áramoljon a motorházba, így a motor megsérülhet vagy túlmelegedhet.

- A szerszám tisztítását csak kémilő hatású szappannal és nedves ruhával végezze. Soha ne hagyja, hogy bármilyen folyadék kerüljön a szerszámba és soha ne merítse vízbe a szerszám semmilyen részét.
- A motorházon lévő szellőzőnyílásokat mindig tartsa szennyeződésektől mentesen.

**▲ FIGYELMEZTETÉS:** Soha ne használjon vizet a fűkasza tisztításhoz. A műanyag alkatrészek tisztításához ne használjon oldószereket. A legtöbb műanyag a kereskedelemben kapható oldószerek hatására sérülésnek van kitéve. Használjon tiszta ruhát a szennyeződés, por, olaj, zsír stb. eltávolításához.

## A VÁGÁS HOSSZÁNAK BEÁLLÍTÁSA

A fűkasza fej lehetővé teszi a kezelőnek, hogy a motor leállítása nélkül oldjon ki vágószálat. Ha a szál kopott vagy elhasználódott, akkor további szál oldható ki, ha enyhén megnyomja az orsó rögzítőelemét a fűkasza fej működése közben (Q. ábra).

**MEGJEGYZÉS:** A vágószál kioldása egyre nehezebb, ha a vágószál rövidebb lesz.

**▲ FIGYELMEZTETÉS:** Ne távolítsa el, és ne változtassa meg a vágószál vágópengéjét. A felesleges hossz miatt a motor túlmelegszik, amely súlyos személyi sérülést okozhat.

## VÁGÓSZÁL CSERÉJE

**NOTICE:** Mindig a javasolt nejlion vágószálat használja, amelynek átmérője nem használja meg a 2,4 mm-t. Ha nem ilyet használ, akkor a fűkasza túlmelegedhet, vagy megsérülhet.

**▲ FIGYELMEZTETÉS:** Soha ne használjon fémlel erősített szálat, vezetéket vagy zsinórt, stb. Ezek eltérhetnek, és veszélyesek lehetnek a szétröppenő részek miatt.

1. Vegye le az akkumulátoregységet.
2. Távolítsa el a maradék vágószálat, ha szükséges.
3. Vágjon le a 4 m hosszú vágószálat. Helyezze a vágószálat a fűzöltyük rögzítőlükába (R. ábra). Húzza és tolja a vágószálat a másik oldalról, amíg egyenlő mennyiség nincs az orsó két oldalán.
4. Az alsó borítás forgatása közben tolja a nyíl irányába a vágószál feltékeréséhez, amíg körülbelül 14 cm vágószál marad kint mindkét oldalon (S ábra).
5. A vágószál húzása közben nyomja le az alsó borítást, hogy kézzel be tudja állítani és ellenőrizni a fűkasza fej megfelelő összeszerelését.

Ha a vágószál kiszakad a vágószál kimenetből, vagy a vágószál nem oldódik ki, ha a vágófej beakadt, akkor kövesse az alábbi lépéseket:

1. Nyomja meg a kioldógombot a felső borításon, és távolítsa el az alsó borítást úgy, hogy egyenesen kihúzza (T. és U. ábra).
2. Távolítsa el a vágószálat az orsóból.
3. Míg az egyik kezével az alsó borítást tartja, fogja a másik kezével az alsó borítást és illessze a felső borításon található gombokat az alsó borítás nyílásaiba (V. ábra). A tenyerével nyomja az alsó borítást, amíg a gombok a helyükre kerülnek a felső borításban.
4. A vágószál újratöltéséhez kövesse a „VÁGÓSZÁL CSERÉJE” pontban található utasításokat.

## KARBANTARTÁS

**▲ FIGYELMEZTETÉS:** Javitáskor használjon azonos pótalkatrészeket. Más alkatrészek használata veszélyt okozhat, vagy megrongálhatja a terméket. A biztonságosság és megbízhatóság biztosítása érdekében minden javítást szakképzett szerviztechnikus hajtson végre.

**▲ FIGYELMEZTETÉS:** Az akkumulátorral működő szerszámokat nem kell hálózati aljzathoz csatlakoztatni; ezért mindig működőképes állapotban vannak. A súlyos személyi sérülések elkerülése érdekében legyen rendkívül óvatos, amikor karbantartást, szervizelést végez, vagy kicseréli a vágóegységet vagy más alkatrészeket.

**▲ FIGYELMEZTETÉS:** A súlyos személyi sérülések elkerülése érdekében távolítsa el az akkumulátoregységet a szerszámból szervizelés, tisztítás, tartozékok cseréje vagy anyagok szerszámból való eltávolítása közben.

### AZ EGYSÉG TISZTÍTÁSA

- Nedves törölruhával és enye tisztítószerezrel tisztítsa meg az egységet.
- Ne használjon erős tisztítószereket a műanyag burkolaton vagy a fogantyún. Ezek megsérülhetnek a különböző aromaolajaktól, pl. fenyő vagy citrom, és az olyan oldószerektől, mint a kerozin. A nedvesség szintén áramütés veszélyét okozhatja. A nedvességet egy puha, száraz törölvél törölje le.
- Használjon kis kefért vagy egy kis porszívó levegőkimenetét a hátsó burkolaton lévő szellőzőnyílások megtisztításához.

### AZ ERŐÁTVITELI HAJTÓMŰ KENÉSE

A hajtásházban erőátviteli hajtóművet időnként meg kell kenni zsírral. Kb. 50 óránként ellenőrizze a hajtásházban lévő zsír mennyiségét úgy, hogy eltávolítja a ház oldalán lévő rögzítőcsavart.

Ha nem látható zsír a hajtómű fogfelületein, akkor kövesse az alábbi lépéseket és töltsen fel zsírral a hajtómű 3/4-éig. Ne töltsen fel teljesen az erőátviteli hajtóművet.

1. Tartsa a fűkaszát az oldalán, hogy a rögzítőcsavar felfelé nézzen (W. ábra).
2. Használja a mellékelt multifunkciós csavarkulcsot a rögzítőcsavar meglazításához és levételéhez.

3. Használjon zsírozó fecskendőt (nem tartozék), hogy kenőanyagot juttasson a csavar nyílásába; ne lépje túl a 3/4 térfogatot.
4. Befecskendezés után húzza meg a rögzítőcsavart.

### AZ EGYSÉG TÁROLÁSA

- Vegye ki az akkumulátoregységet a fűkaszból, amikor nem használja.
- Elrakás előtt alaposan tisztítsa meg a szerszámot.
- Az egységet száraz, jól szellőző, elzárt vagy magas helyen tárolja, ahol gyermekek nem érik el. Ne tárolja az egységet műtrágyák, benzin vagy más vegyszerek mellett.

### Környezetvédelem



Ne dobja az elektromos felszerelést, az akkumulátor töltőt és az akkumulátorokat/újratölthető akkumulátorokat a háztartási hulladékok közé! Az elektromos és elektronikus berendezések hulladékairól szóló 2012/19/EU európai törvény, amely már nincs érvényben, és az 2006/66/EK európai törvény értelmében a sérült vagy elhasznált akkumulátoregységeket/akkumulátorokat környezetbarát módon külön kell gyűjteni és ártalmatlanítani. Ha az elektromos berendezéseket talajfelfertőtlenítő vagy árokbetömési célokra használják, olyan veszélyes anyagok kerülhetnek belőlük a talajvízbe, majd onnan a táplálékláncba, amelyek veszélyeztetik az egészséget.

## HIBAEHÁRÍTÁS

PROBLÉMA	OK	MEGOLDÁS
Fűkasza nem indul.	<ul style="list-style-type: none"> <li>■ Az akkumulátoregység nincs csatlakoztatva a fűkaszához.</li> <li>■ Nincs elektromos kapcsolat a fűkasza és az akkumulátor között.</li> <li>■ Az akkumulátoregység lemerült.</li> <li>■ A kioldó gomb és a kapcsoló nincs egyidejűleg megnyomva.</li> </ul>	<ul style="list-style-type: none"> <li>■ Csatlakoztassa az akkumulátoregységet a fűkaszához.</li> <li>■ Vegye ki az akkumulátoregységet, ellenőrizze az érintkezőket és helyezze vissza az akkumulátoregységet.</li> <li>■ Töltse fel az akkumulátoregységet.</li> <li>■ Nyomja meg és tartsa lenyomva a kioldó gombot, majd nyomja meg a kapcsolót a fűkasza bekapcsolásához.</li> </ul>
A fűkasza vágás közben leáll.	<ul style="list-style-type: none"> <li>■ A védőburkolat nincs felszerelve a fűkaszára, amely révén a vágószál túl hosszú, és a motor túlterhelt.</li> <li>■ Nehéz vágószálat használ.</li> <li>■ A motor tengely vagy fűkasza fej beakadt a fűbe.</li> <li>■ A motor túlterhelt.</li> <li>■ Az akkumulátoregység vagy a fűkasza túl forró.</li> <li>■ Az akkumulátoregység ki van véve a szerszámból.</li> <li>■ Az akkumulátoregység lemerült.</li> </ul>	<ul style="list-style-type: none"> <li>■ Vegye ki az akkumulátoregységet, és szerelje fel a védőburkolatot a fűkaszára.</li> <li>■ Használja a javasolt nejlion vágószálat, legfeljebb 2,4 mm átmérővel.</li> <li>■ Állítsa le a fűkaszt, vegye ki az akkumulátort, és távolítsa el a fűvet a motor tengelyről és fűkasza fejről.</li> <li>■ Távolítsa el a fűvet a fűkasza fejről. A motor újra működőképes, ha a terhelést eltávolítja. Vágás közben a fűkasza fejet oda-vissza mozgassa a vágandó fűvön, és 20 cm-nél nagyobb fűvet ne vágjon egy vágással.</li> <li>■ Hűtse le az akkumulátoregységet vagy a fűkaszt 67 °C alatti hőmérsékletre.</li> <li>■ Helyezze vissza az akkumulátoregységet.</li> <li>■ Töltse fel az akkumulátoregységet.</li> </ul>

PROBLÉMA	OK	MEGOLDÁS
A fűkasza fej nem enged ki a szálát.	<ul style="list-style-type: none"> <li>■ A motor tengely vagy fűkasza fej beakadt a fűbe.</li> <li>■ Nincs elegendő vágószál az orsón.</li> <li>■ A fűkasza fej piszkos.</li> <li>■ A vágószál összegabalyodott az orsón.</li> <li>■ A vágószál túl rövid.</li> </ul>	<ul style="list-style-type: none"> <li>■ Állítsa le a fűkaszát, vegye ki az akkumulátort, és tisztítsa meg a motor tengelyt és fűkasza fejet.</li> <li>■ Vegye ki az akkumulátort, és cserélje ki a vágószálát; kövesse a jelen használati útmutató „VÁGÓSZÁL CSERÉJE” pontot.</li> <li>■ Vegye ki az akkumulátort és tisztítsa meg a fűkasza fejet.</li> <li>■ Vegye ki az akkumulátort, és vegye ki a vágószálát a vágófejből, és tekerje fel újra; a jelen használati útmutató „VÁGÓSZÁL ÚJRATÖLTÉSE” című fejezetét követve.</li> <li>■ Vegye ki az akkumulátort, és húzza ki a vágószálát kézzel, közben nyomja le, és oldja ki a fűkasza fejet.</li> </ul>
Fű tekeredett a fűkasza fejre és motorházra.	<ul style="list-style-type: none"> <li>■ Magas fűvet talajhoz közel vág.</li> </ul>	<ul style="list-style-type: none"> <li>■ A magas fűvet felülről vágja, egyszerre 20 cm-nél többet ne vágjon, így elkerüli a feltekeredést.</li> </ul>
A fűkasza vágófején vagy az alsó borításon lévő repedések a felső borítástól eredően szétnyílnak.	<ul style="list-style-type: none"> <li>■ A fűkasza fej elhasználódott.</li> </ul>	<ul style="list-style-type: none"> <li>■ Azonnal cseréltesse ki a fűkasza fejet egy szakképzett szerviztechnikussal.</li> </ul>

## GARANCIA

### EGO GARANCIÁLIS FELTÉTELEK

Kérjük, látogasson el az [egopowerplus.com](http://egopowerplus.com) oldalra, ahol megtalálja a részletes EGO garanciális feltételeket.

## CITIȚI TOATE INSTRUCȚIUNILE!



CITIȚI MANUALUL DE INSTRUCȚIUNI

**⚠️ Riscuri reziduale!** Persoanele cu dispozitive electronice precum stimulatoare cardiace ar trebui să-și consulte medicul (medici) înainte de a utiliza acest produs. Utilizarea unui echipament electric în imediata apropiere a unui stimulator cardiac poate cauza interferențe sau pana stimulatorului.

**⚠️ AVERTISMENT:** Pentru siguranța și fiabilitatea produsului, toate reparațiile ar trebui efectuate de către un tehnician de service autorizat.

## SIMBOLURI PRIVIND SIGURANȚA

Scopul simbolurilor privind siguranța este să vă atragă atenția asupra pericolelor posibile. Simbolurile privind siguranța și explicațiile furnizate cu acestea merită atenția și înțelegerea dumneavoastră. Simbolurile de avertizare, ele singure, nu elimină niciun pericol. Instrucțiunile și avertismentele pe care le oferă nu pot înlocui măsurile corecte de prevenire a accidentelor.

**⚠️ AVERTISMENT:** Asigurați-vă că ați citit și înțelegiți toate instrucțiunile privind siguranța din acest Manual de utilizare, inclusiv toate simbolurile de alertă privind siguranța precum **“PERICOL,” “AVERTISMENT,”** și **“ATENȚIE”** înainte de a utiliza această sculă. Nerespectarea tuturor avertismentelor și instrucțiunilor poate duce la electrocutare, incendiu și/sau răniiri grave.

RO

## SEMNIFICAȚIA SIMBOLURILOR

**SIMBOL DE AVERTIZARE PRIVIND SIGURANȚA:** Indică **PERICOL, AVERTISMENT, sau ATENȚIE.** Poate fi utilizat împreună cu alte avertismente sau pictograme.



**⚠️ AVERTISMENT:** Operarea oricăror scule electrice poate rezulta în proiectarea înspre ochii dumneavoastră a unor obiecte străine, ceea ce poate duce la vătămări grave ale ochilor. Înainte de a începe să utilizați scula electrică, întotdeauna purtați ochelari de protecție cu apărători laterale și vizieră facială completă când este nevoie. Vă recomandăm să purtați o Vizieră lată de protecție peste ochelarii de vedere sau ochelari de protecție standard cu apărători laterale.

## INSTRUCȚIUNI PRIVIND SIGURANȚA

Această pagină descrie simbolurile de siguranță ce pot apărea pe acest produs. Citiți, înțelegeți, și respectați toate instrucțiunile de pe mașină înainte de asamblare și operare.

	Alertă privind siguranța	Indică un risc posibil de vătămare personală.
	Citiți manualul de instrucțiuni	Pentru a reduce riscul de vătămare, utilizatorul trebuie să citească și să înțeleagă manualul de instrucțiuni înainte de a utiliza acest produs.
	Purtați echipament de protecție oculară	Purtați întotdeauna echipament de protecție auditivă când utilizați acest produs.
	Purtați echipament de protecție auditivă	Purtați întotdeauna echipament de protecție auditivă când utilizați acest produs.
	Fără lamă de tăiere	Nu instalați lame de tăiere de metal sau de plastic
	Țineți trecătorii la distanță	Asigurați-vă că alte persoane și animalele de companie se află o distanță de cel puțin 15 m de cositoarea cu fir când aceasta este în funcțiune.

	Țineți trecătorii la distanță	Asigurați-vă că alte persoane și animalele de companie se află o distanță de cel puțin 15 m de cositoarea cu fir când aceasta este în funcțiune.
	Zgomot	Nivel de presiune acustică
	Grad de protecție împotriva factorilor externi	Protecție împotriva stropilor de apă
V	Volt	Tensiune
mm	Milimetru	Lungime sau dimensiune
cm	Centimetru	Lungime sau dimensiune
	Curent continuu	Tip sau o caracteristică a curentului
n <sub>0</sub>	Turație de mers în gol	Turație de mers în gol
min <sup>-1</sup>	Pe minut	rotații pe minut

și cunoștințe sau persoanelor nefamiliarizate cu aceste instrucțiuni să utilizeze mașina.

- Rețineți că operatorul sau utilizatorul este responsabil de accidentele sau pericolele la care sunt supuse alte persoane sau bunurile acestora.

## PREGĂTIREA

- Nu utilizați niciodată mașina în timp ce sunt oameni, mai ales copii, sau animale în apropiere.
- Purtați în permanență echipament de protecție oculară și încălțăminte rezistentă când utilizați mașina.
- Distanța dintre produs și trecători trebuie să fie de cel puțin 15m.
- Nu utilizați lame de metal

## UTILIZAREA

- Utilizați mașina numai pe timp de zi sau în condiții de lumină artificială bună.
- Nu puneți niciodată mașina în funcțiune cu apărătorile sau scuturile deteriorate sau fără apărători ori scuturi montate pe poziție.
- Porniți motorul numai atunci când mâinile și picioarele sunt la distanță de elementele de tăiere.
- Întotdeauna deconectați mașina de la alimentare (de ex. scoateți ștecherul din priză sau îndepărtați dispozitivul de dezactivare).
  - de fiecare dată când lăsați mașina nesupravegheată;
  - înainte de eliminarea unui blocaj;
  - înainte de verificarea, curățarea sau orice intervenție adusă mașinii,
  - după lovirea unui obiect străin;
  - ori de câte ori mașina începe să vibreze anormal.
- Feriți-vă de rănirea mâinilor și a picioarelor cu elementele de tăiere.
- Asigurați-vă întotdeauna că fantele de aerisire nu sunt blocate de reziduurii.

## INSTRUCȚIUNI IMPORTANTE PRIVIND SIGURANȚA

**⚠️ AVERTISMENT!** Când utilizați cositori electrice, trebuie să se respecte întotdeauna instrucțiunile de bază privind securitatea, inclusiv următoarele, pentru a se reduce riscul de incendiu, șoc electric și vătămare.

### CITIȚI TOATE INSTRUCȚIUNILE

**⚠️ PERICOL!** Nu vă bazați pe izolația electrică a sculei împotriva șocurilor electrice. Pentru a reduce riscul de electrocutare, nu utilizați niciodată scula în vecinătatea firelor sau cablurilor electrice care ar putea transporta curent electric.

**⚠️ ATENȚIE:** Purtați protecție personală auditivă adecvată în timpul utilizării. În anumite condiții și durate de utilizare, zgomotul de la acest produs poate contribui la pierderea auzului.

## INSTRUIREA

- Citiți cu atenție instrucțiunile. Familiarizați-vă cu comenzile și cu utilizarea corectă a mașinii.
- Nu permiteți copiilor, persoanelor cu capacități fizice, senzoriale sau mentale reduse ori lipsite de experiență

## ÎNȚREȚINEREA ȘI DEPOZITAREA

- Deconectați mașina de la alimentare (de ex. scoateți ștecherul din priză, îndepărtați dispozitivul de dezactivare) înainte de a efectua orice lucrări de întreținere sau curățare.
- Utilizați numai piese de schimb și accesorii recomandate de producător.
- Inspectați și efectuați întreținerea mașinii cu regularitate. Dați aparatul la reparat numai unui reparator autorizat.

- Când nu este utilizată, nu lăsați mașina la îndemâna copiilor.

## AVERTIZĂRI SUPLIMENTARE DE SIGURANȚĂ

- Evitați mediile periculoase - Nu utilizați trimmere de tuns iarba în locuri cu umezeală sau ude.
- Întotdeauna opriți trimmerul sau detașați setul de acumulatori de fiecare dată când îl lăsați nesupravegheat.
- Nu utilizați mașina în ploaie.
- Țineți copiii la distanță - Toți vizitatorii trebuie ținute la distanță de zona de lucru.
- Îmbrăcați-vă corespunzător - Nu purtați haine largi sau bijuterii. Acestea pot fi prinse în piesele aflate în mișcare. Utilizarea mănușilor și încălțărilor rezistente este recomandată când lucrați în aer liber. Purtați echipament de acoperire a părului, care să țină strâns părul lung.
- Utilizați ochelari de protecție - Utilizați întotdeauna ochelari de protecție în timpul funcționării mașinii.
- Utilizați scula adecvată - Nu utilizați scula în alt scop decât cel prevăzut.
- Nu forțați trimmerul - Scula va efectua lucrarea mai bine și în siguranță mai mare, la viteză pentru care a fost proiectată.
- Nu vă întindeți excesiv - Păstrați-vă întotdeauna o poziție stabilă a picioarelor și echilibrul.
- Fiți vigilenți - Urmăriți ceea ce faceți. Apelați la bunul simț. Nu utilizați trimmerul când sunteți obosiți.
- Nu operați trimmerul dacă sunteți sub influența băuturilor alcoolice sau a drogurilor.
- Păstrați apărătorile instalate și în stare de funcționare.
- Depozitați trimmerul în interior - Când trimmerul nu este utilizat, acesta trebuie depozitat în interior, într-un loc uscat și la înălțime, sau închis cu cheia cu setul de acumulatori detașat - inaccessibil copiilor.
- Întrețineți trimmerul cu grijă - Păstrați accesoriul de tăiere curat pentru performanțe optime și pentru a reduce riscul de rănire. Respectați instrucțiunile legate de schimbarea accesoriilor. Mențineți mânerul uscat, curat și fără ulei și vaselină.
- Verificați piesele avariate - Înainte de a continua utilizarea trimmerului, apărătoarea sau altă piesă care este deteriorată trebuie verificată cu atenție pentru a determina dacă va funcționa corespunzător și își va îndeplini funcția desemnată. Verificați coaxialitatea pieselor în mișcare, neobstrucționarea pieselor în mișcare, defectări ale pieselor, montajul și orice altă situație care poate afecta funcționarea sculei.

Apărătoarea sau altă piesă care este deteriorată trebuie reparată corect sau înlocuită de către un centru de service autorizat, cu excepția cazului când se indică contrariul în acest manual de instrucțiuni.

- Curățați zona de tuns înainte de fiecare utilizare. Îndepărtați toate obiectele, cum ar fi pietre, sticlă spartă, cuie, sârmă sau fire care pot fi aruncate sau se pot încurca în capul de tăiere. Asigurați-vă că terți și animalele se află la cel puțin 15m distanță.
- Înainte de a folosi mașina și după orice impact, asigurați-vă că nu există semne de uzură sau deteriorare și reparați dacă este necesar;
- Întotdeauna țineți trimmerul ferm cu ambele mâini pe mână pe durata utilizării. Înfășurați-vă degetele și degetele mari în jurul mânerelor.
- Evitați pomirea accidentală - Nu transportați trimmerul cu degetul pe trăgaci.
- Nu utilizați trimmerul în atmosfere cu aburi de benzină sau explozive. În aceste aparate, este normal ca motoarele să producă scântei, și scântele pot aprinde substanțele volatile.
- Avarii ale trimmerului - Dacă loviți un obiect străin cu trimmerul sau se încurcă, opriți imediat scula, detașați setul de acumulatori de trimmerul cu fir, verificați avariile și asigurați-vă că orice defect este reparat înainte de a încerca să reutilizați trimmerul. Nu utilizați aparatul dacă apărătoarea sau bobina este spartă.
- Dacă echipamentul începe să producă vibrații anormale, opriți motorul și scoateți setul de acumulatori din trimmerul cu fir. Și depistați imediat cauza. Vibrațiile sunt în general semnul unor probleme. Un cap slăbit poate vibra, se poate fisura, se poate rupe sau să se detașeze de trimmer, putând produce răni grave sau fatale. Asigurați-vă că accesoriul de tăiere este instalat corespunzător. Dacă accesoriul de tăiere se slăbește după fixarea sa în poziție, înlocuiți-l imediat. Nu utilizați niciodată un trimmer cu un cap de tăiere slăbit.
- Înlocuiți imediat un cap de tăiere fisurat, avariât sau uzat, chiar dacă defectul se limitează la fisuri superficiale. Astfel de accesorii se pot sparge la viteză mare și pot cauza răni grave sau fatale.
- Verificați capul de tăiere la intervale scurte regulate în timpul utilizării, sau imediat dacă observați o modificare vizibilă a modului de tăiere.
- Utilizați numai accesoriile de trimmer din polimer și fir de tăiere autorizate de EGO™ care sunt proiectate pentru utilizarea cu aceste scule. Deși anumite accesorii neautorizate se pot potrivi cu trimmerul cu fir EGO™, utilizarea lor poate fi extrem de periculoasă și/sau periculoasă pentru scule.



- Pentru a reduce riscul de răni grave, nu utilizați niciodată fir de sârmă sau de metal ranforsat ori din alt material în locul firelor de tăiere din nailon. Bucăți din firul de sârmă se pot rupe și pot fi proiectate la viteză mare înspre operator sau trecători.
- Pentru a reduce riscul de rănire datorat pierderii controlului, nu lucrați niciodată stând pe o scară sau pe orice alt suport nesigur. Nu țineți niciodată capul de tăiere la înălțime deasupra taliei.
- În cazul situațiilor care nu sunt adresate în acest manual, utilizați grijă și raționament. Contactați centrul de service EGO pentru asistență.
- Nu încărcăți setul de acumulatori în condiții de ploaie sau de umezeală.
- Utilizați numai seturi de acumulatori și încărcătoare EGO.

SET DE ACUMULATORI	ÎNCĂRCĂTOR
BA1120E, BA1400, BA2240E BA2800, BA3360, BA4200, BA1400T, BA2800T, BA4200T	CH2100E, CH5500E

- Setul de acumulatori trebuie scos din aparat înainte de eliminarea acestuia.
- Acumulatorul trebuie eliminat într-un mod nepericulos.
- Nu eliminați acumulatorii aruncându-i în foc. Celulele pot exploda. Verificați la autoritățile locale dacă există eventuale instrucțiuni speciale de eliminare.
- Nu desfaceți sau să mutilați acumulatorul. Electroliul eliberat este coroziv și poate afecta ochii și pielea. Acesta poate fi toxic dacă este înghițit.
- Atenție când manevrați acumulatori pentru a scurtcircuita acumulatorul cu materiale conductoare precum inele, brățări și chei. Acumulatorul sau conductorul se pot supraîncălzi și cauza arsuri.
- În cazul operațiilor de service, utilizați numai piese de schimb EGO™ identice. Utilizarea oricărui alte accesorii sau componente poate crește riscul de rănire.
- Sculele electrice alimentate cu baterii nu trebuie să fie racordate la o priză electrică, de aceea, acestea sunt întotdeauna în stare de funcționare. Atenție la eventualele riscuri chiar și când scula nu este în funcțiune. Aveți grijă când efectuați operații de întreținere sau de service.
- Nu spălați trimmerul cu furtunul de grădină; evitați pătrunderea apei în motor și în conexiunile electrice.

- Păstrați aceste instrucțiuni. Consultați-le frecvent și utilizați-le pentru a instrui alte persoane care ar putea utiliza această sculă electrică. Dacă împrumutați cuiva această sculă, împrumutați-i și aceste instrucțiuni pentru a preveni utilizarea inadecvată a produsului și posibile răni.
- Întotdeauna purtați încălțăminte trainică și pantaloni lungi când utilizați mașina.
- Asigurați-vă întotdeauna o poziție stabilă când vă aflați pe o pantă, și întotdeauna pășiți, nu alergați.

## PĂSTRAȚI ACESTE INSTRUCȚIUNI!

## SPECIFICAȚII

Voltaaj	56 V	
Turație de mers în gol	5000/6000 min <sup>-1</sup>	
Mecanismul de tăiere	Bump Head	
Tipul firului de tăiere	2,4mm nylon twist line	
Lățime de tăiere	38 cm	
Greutate (fără set de acumulatori)	4,21Kg	
Nivel de putere sonoră măsurat L <sub>WA</sub>	94,3 dB(A) K=1,37 dB(A)	
Nivel de presiune sonoră la urechea operatorului L <sub>PA</sub>	82,6 dB(A) K= 3 dB(A)	
Nivel de putere sonoră garantată L <sub>WA</sub> (conform directivei 2000/14/CE)	96 dB(A)	
Vibrații a <sub>h</sub>	Mâner posterior	3,97 m/s <sup>2</sup> K=1,5 m/s <sup>2</sup>
	Mâner frontal de susținere	2,78 m/s <sup>2</sup> K=1,5 m/s <sup>2</sup>

**RO**

## LISTA COMPONENTELOR

DENUMIREA PIESELOR	CANTITATE
Cositoare cu fir	1
Apărătoare	1
Ansamblu mâner frontal de susținere	1
Cheie hexagonală	1
Cheie multifuncțională	1
Curea de umăr	1
Manual de utilizare	1

## DESCRIERE

### DESCRIEREA COSITORII CU FIR (Fig. A)

1. Inel limitator
2. Declanșator
3. Mâner posterior
4. Admisie de aer
5. Buton de siguranță
6. Comutator de viteză ridicată/scăzută
7. Suport de prindere a curelei de umăr
8. Mâner frontal reglabil de susținere
9. Curea de umăr
10. Cheie multifuncțională
11. Cheie hexagonală
12. Cap cositoare (Cap cu bobină)
13. Fir de tăiere
14. Ureche de detașare
15. Lamă de tăiere a firului
16. Apărătoare
17. Mecanism de ejectare
18. Contacte electrice
19. Zăvor
20. Amortizor cauciucat de protecție
21. Buton de eliberare a acumulatorului

## ASAMBLARE

RO

**⚠️ AVERTISMENT:** Dacă unele piese sunt deteriorate sau lipsesc, nu utilizați acest produs până la înlocuirea pieselor. Utilizarea acestui produs cu piese deteriorate sau lipsă s-ar putea solda cu vătămări grave.

**⚠️ AVERTISMENT:** Nu încercați să modificați acest produs sau să creați accesorii nerecomandate pentru această cositoare cu fir. Orice astfel de modificare sau schimbare reprezintă o utilizare necorespunzătoare și se poate solda cu condiții periculoase care pot conduce la posibile vătămări grave.

**⚠️ AVERTISMENT:** Pentru a preveni pomirea accidentală care ar putea cauza vătămări personale grave, întotdeauna scoateți setul de acumulatori din sculă când asamblați componente.

## MONTAREA APĂRĂTORII

**⚠️ AVERTISMENT:** Purtați întotdeauna mănuși când montați sau înlocuiți apărătoarea. Aveți grijă de lama de pe apărătoare și protejați-vă mâna împotriva tăieturilor.

**⚠️ AVERTISMENT:** Nu utilizați niciodată scula fără apărătoarea bine fixată. Apărătoarea trebuie să fie întotdeauna instalată pe sculă pentru a proteja utilizatorul. Când apărătoarea este atașată, nu încercați niciodată să o îndepărtați sau să o reglați, dacă este nevoie să fie înlocuită, această operație trebuie executată de un tehnician de service autorizat!

1. Desfaceți și îndepărtați cele două șuruburi de pe apărătoare (Fig. B).
2. Aliniați orificiile de fixare ale apărătorii cu orificiile ansamblului, după care prindeți apărătoarea de baza țije cu ajutorul celor două șuruburi împreună cu două șaibe elastice (Fig. C).

**OBSERVAȚIE:** Asigurați-vă că apărătoarea este fixată conform ilustrațiilor din Fig. B și C, orice fixare inversă va cauza un mare pericol!

## MONTAREA ȘI REGLAREA MÂNERULUI FRONTAL DE SUSȚINERE

1. Desfaceți tija de blocare din mânerul frontal de susținere și scoateți tija de blocare și piulița fluture din mânerul frontal de susținere (Fig.D).

Pentru descrierea pieselor din Fig. D, consultați tabelul de mai jos:

D-1	Tijă de blocare	D-3	Bloc de fixare
D-2	Mâner frontal de susținere	D-4	Piulița fluture

2. Împingeți mânerul frontal de susținere pe tijă (Fig. E).
3. Introduceți blocul de fixare în fanta mânerului (Fig. F).
4. Instalați tija de blocare și strângeți cu piulița fluture. Asigurați-vă că mânerul frontal de susținere este îndreptat în sus și este orientat spre partea superioară a mânerului posterior (Fig. G).
5. Poziționați mânerul frontal de susținere între inelul limitator și etichetă astfel încât brațul dumneavoastră să stea drept în timpul utilizării (Fig. H).
6. Blocați maneta de pe tija de blocare. (Fig. I).

**OBSERVAȚIE:** Mânerul frontal de susținere trebuie rotit în sus pentru a fi orientat spre partea superioară a mânerului posterior.

**⚠️ AVERTIZARE:** Fixați mânerul frontal de susținere numai între inelul limitator și eticheta de pe tijă.

**⚠️ AVERTIZARE:** Scula nu poate fi utilizată fără ca mânerul frontal de susținere să fie bine fixat.

## MONATREA CURELEI DE UMĂR

Apăsați pe cârligul curelei pentru a-l deschide și fixați-l pe suportul de prindere a curelei de umăr (Fig. J).

## FUNȚIONARE

**⚠️ AVERTIZARE:** Nu permiteți ca familiarizarea cu acest produs să vă determine să fiți neatent. Amintiți-vă că o fracțiune de secundă de neatenție este suficientă pentru a provoca vătămări grave.

**⚠️ AVERTIZARE:** Purtați întotdeauna ochelari de protecție sau ochelari de protecție cu apărători laterale, împreună cu echipament de protecție auditivă. Nerespectarea acestui lucru se poate solda cu proiecția obiectelor în ochi și alte vătămări grave.

**⚠️ AVERTIZARE:** Nu utilizați nicio componentă sau accesoriu care nu a fost recomandat de producătorul acestui produs. Utilizarea de accesorii nerecomandate se poate solda cu vătămări grave.

**⚠️ AVERTIZARE:** Pentru prevenirea vătămarilor personale grave, scoateți setul de acumulatori din sculă înainte de a depana, curăța, înlocui accesoriile sau de a îndepărta materialul din produs.

Puteți utiliza acest produs în scopurile menționate mai jos:

**Cosire:** utilizare pentru îndepărtarea ierbii și a buruienilor de lângă pereți, garduri, copaci și borduri.

**Tăiere:** utilizare pentru tăierea ierbii greu accesibile cu o mașină normală de tuns iarba.

**OBSERVAȚIE:** Scula trebuie utilizată numai în scopul pentru care a fost proiectată. Orice altă utilizare, de exemplu tăierea ierbii de pe margini, este considerată a fi caz de utilizare necorespunzătoare.

## ATAȘAREA/DETAȘAREA SETULUI DE ACUMULATORI

**Încărcați acumulatorul complet înainte de prima utilizare.**

### Pentru atașare

Aliniați nervurile de pe acumulator cu fantele de montare și apăsați în jos setul de acumulatori până la auzul unui clic (Fig. K).

### Pentru detașare

Apăsați pe butonul de eliberare a acumulatorului și scoateți setul de acumulatori precum în Fig. L.

Pentru descrierea pieselor din Fig. L, consultați tabelul de mai jos:

L-1	Buton de eliberare a acumulatorului
-----	-------------------------------------

### ȚINEREA COSITORII CU FIR

**⚠️ AVERTIZARE:** Îmbrăcați-vă corespunzător pentru a reduce riscul de vătămare când utilizați această sculă. Nu purtați haine largi sau bijuterii. Purtați echipament de protecție oculară și auditivă. Purtați pantaloni lungi rezistenți, bocanci și mănuși. Nu purtați pantaloni scurți, sandale și nu stați desculț.

Înainte de utilizare, stați în poziția de utilizare a sculei și verificați echipamentul de protecție oculară, îmbrăcămintea adecvată, asigurați-vă că aveți o poziție stabilă și că țineți drept brațul care ține mânerul frontal de susținere.

**OBSERVAȚIE:** Capul cositorii este paralel cu solul la o distanță corectă de tăiere, fără ca operatorul să fie nevoit să se aplece (Fig. N).

Pentru utilizare sigură și mai bună, poziționați cureaua de umăr peste umăr precum în ilustrația din Fig. N. Ajustați cureaua de umăr într-o poziție confortabilă de utilizare. Țineți cositoarea cu fir cu ambele mâini: O mână pe mânerul posterior și cealaltă mână pe mânerul frontal de susținere.

Există două moduri de a elibera cureaua. Scoateți-o direct de pe umăr (Fig. O) sau apăsați pe cârligul curelei și detașați-o de pe suportul de prindere a curelei de umăr de pe tijă (Fig. P).

**⚠️ AVERTIZARE:** Cureaua de umăr este și un mecanism de eliberare rapidă în situații periculoase. În caz de urgență, îndepărtați imediat cureaua de pe umăr, indiferent de modul de instalare a curelei.

### PORNIREA/OPRIREA COSITORII CU FIR (Fig. M)

#### Pornirea

Apăsați în jos maneta de blocare, după care apăsați pe declanșator. Gradul de apăsare pe declanșator influențează viteza de rotație a firului de tăiere. Cu cât presiunea de apăsare este mai mare, cu atât va fi și viteza mai mare.

#### Oprirea

Eliberați declanșatorul.

**OBSERVAȚIE:** Motorul funcționează numai când sunt apăsați simultan butonul de siguranță și declanșatorul.

**⚠️ AVERTIZARE:** Scoateți întotdeauna setul de acumulatori din cositoarea cu fir în timpul pauzelor de lucru și după terminarea lucrării.

## Funcția de reglare a vitezei (Fig. M)

Cositoarea cu fir are două viteze. Poziția „1” este pentru viteză scăzută, iar Poziția „2” este pentru viteză ridicată. Împingeți sau trageți de comutatorul de viteză ridicată/scăzută pentru a alege viteza adecvată în timpul utilizării.

Pentru descrierea pieselor din Fig. M, consultați tabelul de mai jos:

M-1	Comutator de viteză ridicată/scăzută
M-2	Buton de siguranță
M-3	Declanșator

## UTILIZAREA COSITORII CU FIR

**⚠️ AVERTIZARE:** Pentru evitarea rănilor personale grave, purtați ochelari de protecție în permanență când utilizați acest produs. Purtați mască de față sau mască de praf în locurile cu praf.

Curățați zona de tuns înainte de fiecare utilizare.

Îndepărtați toate obiectele, cum ar fi pietre, sticlă spartă, cuie, sârmă sau fire care pot fi aruncate sau se pot încurca în capul de tăiere. Îndepărtați din zonă copiii, trecătorii și animalele de companie. În cel mai rău caz, țineți copiii, trecătorii și animalele la cel puțin 15m distanță; la această distanță încă persistă riscul lovirii trecătorilor cu obiecte proiectate. Trecătorii trebuie încurajați să poarte ochelari de protecție. Dacă cineva se apropie de dumneavoastră, opriți imediat motorul și capul de tăiere.

**Înainte de fiecare utilizare, verificați pentru depistarea pieselor uzate/avariate.**

Verificați capul cu bobina, apărătoarea și mânerul frontal de operare și înlocuiți piesele care sunt fisurate, distorsionate, îndoite sau avariate în vreun fel.

Lama de tăiere a firului de pe muchia apărătoarei se poate toca cu timpul. Se recomandă să o ascuțiți periodic cu o pilă sau să o înlocuiți cu una nouă.

**⚠️ AVERTIZARE:** Purtați întotdeauna mănuși când montați apărătoarea sau depanați lama. Aveți grijă de lama de pe apărătoare și protejați-vă mâna împotriva tăieturilor.

**După fiecare utilizare, curățați cositoarea.**

**⚠️ ATENȚIE:** Obturarea orificiilor de ventilație va împiedica pătrunderea aerului în carcasa motorului și va provoca supraîncălzirea sau deteriorarea motorului.

Utilizați numai săpun cu acțiune moderată și o lavetă umedă pentru a curăța scula. Nu lăsați niciun lichid să pătrundă în interiorul sculei; nu scufundați niciodată vreo parte a sculei în vreun lichid.

Păstrați în permanență curate orificiile de ventilație din carcasa motorului.

**⚠️ AVERTIZARE:** Nu utilizați niciodată apă pentru curățarea cositorii. Evitați utilizarea solvenților când curățați piese din plastic. Majoritatea pieselor din plastic sunt susceptibile să se deterioreze de la diverse tipuri de solvenți comerciali. Utilizați lavete curate pentru a îndepărta murdăria, praful, uleiul, vaselina etc.

## REGLAREA LUNGIMII FIRULUI DE TĂIERE

Capul cositorii permite utilizatorului să elibereze mai mult fir fără să oprească motorul. Pe măsură ce firul devine fragil sau uzat, se poate elibera fir suplimentar prin lovirea ușoară a capului cositorii de sol în timpul funcționării cositorii (Fig. Q).

**OBSERVAȚIE:** Eliberarea firului devine mai dificilă pe măsură ce firul devine mai scurt.

**⚠️ AVERTIZARE:** Nu îndepărtați și nu modificați ansamblul lamei de tăiere a firului. Lungimea excesivă a firului poate cauza supraîncălzirea motorului și poate duce la vătămări personale grave.

## ÎNLOCUIREA FIRULUI

**OBSERVAȚIE:** Utilizați întotdeauna firul de tăiere din nailon recomandat, cu un diametru maxim de 2,4 mm. Utilizarea unui fir diferit de cel specificat poate duce la supraîncălzirea cositorii cu fir sau la deteriorarea acesteia.

**⚠️ AVERTIZARE:** Nu utilizați niciodată fir de metal ranforsat, sârmă, sfoară etc. Acestea se pot rupe și pot deveni proiectile periculoase.

1. Îndepărtați setul de acumulatori.
2. Îndepărtați firul de tăiere rămas, dacă este nevoie.
3. Tăiați fir de tăiere cu lungimea de 4 m, introduceți firul în gaura de montare din interiorul ochetului (Fig. R). Împingeți și trageți firul din partea opusă până când firul are aceeași lungime pe ambele părți ale bobinei.
4. Apăsați, în timp ce rotiți ansamblul capacului inferior în direcția săgeții, pentru a înfășura firul pe bobină până când rămân aproximativ 14 cm de fir de fiecare parte (Fig. S).
5. Apăsați în jos ansamblul capacului inferior în timp ce trageți de fire pentru avansul manual al firului și a verifica asamblarea corectă a capului cositorii.

Când firul de tăiere se rupe din orificiul de ieșire al acestuia sau dacă firul nu este eliberat când capul cositorii este lovit, urmați pașii de mai jos:

1. Apăsăți pe cele două urechi de detașare de pe capacul superior și scoateți ansamblul capacului inferior extrăgându-l spre exterior (Fig. T și U).
2. Scoateți firul de tăiere din bobină.
3. Ținând cu o mână ansamblul capacului inferior, utilizați cealaltă mână pentru a apuca ansamblul capacului inferior și aliniați urechile de pe capacul superior cu orificiile din ansamblul capacului inferior (Fig. V). Utilizați palma pentru a apăsa ansamblul capacului inferior până când urechile se blochează în capacul superior.
4. Urmați instrucțiunile din „ÎNLOCUIREA FIRULUI” pentru a reîncărca firul de tăiere.

## ÎNȚREȚINEREA

**⚠️ AVERTISMENT:** Când efectuați operații de service, utilizați doar piese de schimb identice. Utilizarea oricăror altor piese poate crea un pericol sau poate produce o deteriorare. Pentru siguranța și fiabilitatea produsului, toate reparațiile ar trebui efectuate de către un tehnician de service autorizat.

**⚠️ AVERTISMENT:** Suclele electrice alimentate cu baterii nu trebuie să fie racordate la o priză electrică, de aceea, acestea sunt întotdeauna în stare de funcționare. Pentru prevenirea rănilor personale grave, adoptați măsuri de siguranță suplimentare și de îngrijire când efectuați operații de întreținere, service sau înlocuiți accesoriile de tăiere sau alte accesorii.

**⚠️ AVERTISMENT:** Pentru prevenirea rănilor personale grave, scoateți setul de acumulatori din scula înainte de a depana, curăța, înlocui accesorii detașabile sau de a îndepărta materialul din produs.

## CURĂȚAREA PRODUSULUI

- Curățați produsul cu ajutorul unei cârpe umede și cu detergent slab.
- Nu utilizați detergenți puternici pe carcasa de plastic sau pe mâner. Acestea pot fi deteriorarea de anumite uleiuri parfumate precum brad și lămâie, și de către solvenți precum kerosenul. Umezeala poate cauza un risc de electrocutare. Ștergeți orice urmă de umezeală cu o cârpă uscată.
- Utilizați o perie mică sau o perie cu jet de aer de la un aspirator mic pentru a curăța orificiile de ventilație de pe carcasa posterioară.

## LUBRIFIEREA ANGRENAJELOR DE TRANSMISIE

Angrenajele de transmisie din carcasa cutiei de viteze trebuie lubrifiate periodic cu vaselină pentru angrenaje. Verificați nivelul vaselinei din carcasa cutiei de viteze la fiecare 50 de ore de funcționare prin îndepărtarea șurubului de etanșeizare de pe partea laterală a carcasei.

Dacă pe flancurile angrenajului nu se vede vaselină, urmați pașii de mai jos pentru a umple cu vaselină pentru angrenaje până la 3/4 din capacitate. Nu umpleți complet angrenajele de transmisie.

1. Țineți cositoarea cu fir pe partea laterală, astfel încât șurubul de etanșeizare să fie îndreptat în sus (Fig. W).
2. Utilizați cheia multifuncțională furnizată pentru a desface și a îndepărta șurubul de etanșeizare.
3. Utilizați o seringă (neinclusă) pentru a injecta o cantitate de vaselină în orificiul șurubului; nu depășiți 3/4 din capacitate.
4. După injectare, strângeți șurubul de etanșeizare.

## DEPOZITAREA PRODUSULUI

- Scoateți setul de acumulatori din cositoarea cu fir când aceasta nu este utilizată.
- Curățați scula bine înainte de a o depozita.
- Depozitați produsul într-un loc uscat, bine ventilat, închis cu cheia sau la înălțime, inaccesibil copiilor. Nu depozitați produsul peste sau lângă îngrășăminte, benzină sau alte substanțe chimice.

## Protejarea mediului înconjurător



Nu eliminați echipamentul electric, încărcătorul de acumulatori și bateriile/acumulatorii împreună cu deșeurile menajere!

Conform Directivei europene 2012/19/UE, sculele echipamentele electrice și electronice care nu mai sunt utilizabile, și conform Directivei europene 2006/66/CE, seturile de acumulatori/bateriile defecte sau uzate trebuie colectate separat și eliminate într-un mod ecologic corect.

Dacă aparatele electrice sunt aruncate la groapa de gunoi sau la haldă, se pot scurge substanțe periculoase în pânza freatică și acestea pot intra în lanțul trofic, afectându-vă sănătatea și bunăstarea. afectându-vă sănătatea și bunăstarea.

## DEPANARE

PROBLEMĂ	CAUZĂ	SOLUȚIE
Cositoarea cu fir nu pornește.	<ul style="list-style-type: none"> <li>■ Setul de acumulatori nu este atașat de cositoare.</li> <li>■ Nu există contact electric între cositoare și acumulator.</li> <li>■ Setul de acumulatori este descărcat.</li> <li>■ Butonul de siguranță și declanșatorul nu sunt apăstate simultan.</li> </ul>	<ul style="list-style-type: none"> <li>■ Atașați setul de acumulatori la cositoare.</li> <li>■ Îndepărtați acumulatorul, verificați contactele și reinstalați setul de acumulatori.</li> <li>■ Încărcați setul de acumulatori.</li> <li>■ Apăsăți în jos butonul de siguranță și țineți-l apăsat, după care apăsați pe declanșator pentru a porni cositoarea.</li> </ul>
Cositoarea cu fir se oprește în timpul utilizării.	<ul style="list-style-type: none"> <li>■ Apărătoarea nu este montată pe cositoare, având ca rezultat un fir de tăiere prea lung și suprasolicitarea motorului.</li> <li>■ Este utilizat un fir de tăiere gros.</li> <li>■ Axul motorului sau capul cositorii este blocat cu iarbă.</li> <li>■ Motorul este suprasolicitat.</li> <li>■ Setul de acumulatori sau cositoarea sunt prea fierbinți.</li> <li>■ Setul de acumulatori este deconectat de la sculă.</li> <li>■ Setul de acumulatori este descărcat.</li> </ul>	<ul style="list-style-type: none"> <li>■ Îndepărtați setul de acumulatori și montați apărătoarea pe cositoare.</li> <li>■ Utilizați firul de nailon de tăiere recomandat cu diametrul de maxim 2,4 mm.</li> <li>■ Oprii cositoarea, îndepărtați acumulatorul și curățați iarbă de pe axul motorului și capul cositorii.</li> <li>■ Scoateți capul cositorii din iarbă. Motorul își va reveni imediat ce sarcina este îndepărtată. Când tăiați iarbă, deplasați capul cositorii în iarbă și în afara ei pentru a o tăia și îndepărtați maxim 20 cm din lungimea ierbii dintr-o tăiere.</li> <li>■ Lăsați setul de acumulatori sau cositoarea cu fir să se răcească până când temperatura scade sub 67°C.</li> <li>■ Reinstalați setul de acumulatori.</li> <li>■ Încărcați setul de acumulatori.</li> </ul>

PROBLEMĂ	CAUZĂ	SOLUȚIE
Capul cositorii nu mai avansează fir.	<ul style="list-style-type: none"> <li>■ Axul motorului sau capul cositorii este blocat cu iarbă.</li> <li>■ Pe bobină nu mai este suficient fir.</li> <li>■ Capul cositorii este murdar.</li> <li>■ Firul este încurcat pe bobină.</li> <li>■ Firul este prea scurt.</li> </ul>	<ul style="list-style-type: none"> <li>■ Oprți cositoarea, îndepărtați acumulatorul și curățați iarbă de pe axul motorului și capul cositorii.</li> <li>■ Îndepărtați acumulatorul și înlocuiți firul de tăiere; respectați instrucțiunile din capitolul „ÎNLOCUIREA FIRULUI” din acest manual.</li> <li>■ Îndepărtați acumulatorul și curățați capul cositorii.</li> <li>■ Îndepărtați acumulatorul, îndepărtați firul de pe capul cositorii și reînfașurați-l; respectați instrucțiunile din capitolul „REÎNCĂRCAREA FIRULUI DE TĂIERE” din acest manual.</li> <li>■ Îndepărtați acumulatorul și scoateți firele manual în timp ce apăsați alternativ în jos și eliberați capul cositorii.</li> </ul>
Iarbă înfașurată în jurul capului cositorii și al carcasei motorului.	<ul style="list-style-type: none"> <li>■ Se taie iarbă înaltă la nivelul solului.</li> </ul>	<ul style="list-style-type: none"> <li>■ Tăiați iarbă înaltă de sus în jos, îndepărtând maxim 20 cm la fiecare trecere pentru a preveni înfașurarea.</li> </ul>
Fisuri pe capul cositorii sau ansamblul capacului inferior se desprinde de capacul superior.	<ul style="list-style-type: none"> <li>■ Capul cositorii este uzat.</li> </ul>	<ul style="list-style-type: none"> <li>■ Înlocuiți imediat capul cositorii, iar operația trebuie efectuată de un tehnician de service calificat.</li> </ul>

## GARANȚIE

### POLITICA PRIVIND GARANȚIA EGO

Vă rugăm să consultați site-ul [egopowerplus.com](http://egopowerplus.com) pentru termenii și condițiile complete ale politicii privind garanția EGO.

RO

## PREBERITE VSA NAVODILA!



**PREBERITE PRIROČNIK Z NAVODILI ZA UPORABO**

**⚠️ Preostalo tveganje!** Pred uporabo izdelka se morajo osebe z elektronskimi napravami, kot je srčni spodbujevalnik, posvetovati s svojim zdravnikom. Delovanje električne opreme v bližini srčnega spodbujevalnika lahko povzroči motnje ali okvaro srčnega spodbujevalnika.

**⚠️ OPOZORILO:** Za zagotovitev varnosti in zanesljivosti mora vsa popravila izvesti usposobljen serviser.

## VARNOSTNI SIMBOLI

Namen varnostnih simbolov je, da pritegnejo vašo pozornost na morebitne nevarnosti. Varnostni simboli in njihova pojasnila si zaslužijo vašo pozornost in razumevanje. Opozorilni simboli sami ne odpravljajo nobene nevarnosti. Navodila in opozorila niso nadomestilo za ustrezne ukrepe za preprečevanje nesreč.

**⚠️ OPOZORILO:** Poskrbite, da boste pred uporabo orodja prebrali in razumeli vsa varnostna navodila v priročniku z navodili za uporabo, vključno z vsemi simboli za varnostna opozorila, kot so »NEVARNOST«, »OPOZORILO«, in »SVARILO«. Neupoštevanje spodaj navedenih navodil se lahko odrazi v električnem udaru, požaru in/ali resnih telesnih poškodbah.

SL

## POMEN SIMBOLOV

**SIMBOL VARNOSTNEGA OPOZORILA:** Nakazuje **NEVARNOST**, **OPOZORILO** ali **SVARILO**.

Uporablja se lahko skupaj z drugimi simboli ali piktogrami.



**⚠️ OPOZORILO:** Delovanje katerega koli električnega orodja lahko povzroči metanje tujkov v vaše oči, kar lahko povzroči resne poškodbe očesa. Pred začetkom dela z električnim orodjem vedno nosite zaščitna očala ali varnostna očala s stranskimi zaščitami in kadar je treba tudi ščit za celoten obraz. Priporočamo vam uporabo varnostne maske Wide Vision Safety Mask za uporabo preko očal ali standardnih varnostnih očal s stransko zaščito.

## VARNOSTNA NAVODILA

Na tej strani so prikazani in opisani varnostni simboli, ki se lahko pojavijo na tem izdelku. Preberite, osvojite in sledite navodilom na stroju preden ga boste poskušali sestaviti in upravljati.

	Varnostno opozorilo	Označuje morebitno nevarnost telesnih poškodb.
	Preberite priročnik z navodili za uporabo	Za zmanjšanje nevarnosti poškodb je pomembno, da si uporabnik pred uporabo naprave prebere priročnik z navodili za uporabo.
	Nosite zaščito za oči	Pri upravljanju tega izdelka vedno nosite zaščito za ušesa.
	Nosite zaščito za ušesa	Pri upravljanju tega izdelka vedno nosite zaščito za ušesa.
	Brez rezila	Ne nameščajte kovinskih ali plastičnih rezil
	Prisotni naj bodo varno oddaljeni	Poskrbite, da bodo drugi ljudje in hišni ljubljenci vsaj 15 m stran od kosilnice z nitko, ko je v uporabi.
	Prisotni naj bodo varno oddaljeni	Poskrbite, da bodo drugi ljudje in hišni ljubljenci vsaj 15 m stran od kosilnice z nitko, ko je v uporabi.
	Hrup	Raven zvočnega tlaka
	Stopnja zaščite pred vdorom	Zaščita pred pljuski vode
V	Volt	Napetost
mm	Milimeter	Dolžina ali velikost
cm	Centimeter	Dolžina ali velikost
	Enosmerni tok	Vrsta ali značilnost toka
$n_0$	Št. vrtljajev v prostem teku	Vrtljna hitrost brez obremenitve
min <sup>-1</sup>	Na minuto	Vrtljajev na minuto



## POMEMBNA VARNOSTNA NAVODILA

**⚠ OPOZORILO!** Pri uporabi električnih kosilnic morate vedno upoštevati osnovne previdnostne ukrepe, saj lahko le tako zmanjšate nevarnost požara, električnega udara, opeklin in telesnih poškodb, vključno s sledečim:

### PREBERITE VSA NAVODILA

**⚠ NEVARNOST!** Ne zanašajte se na izolacijo orodja za zaščito pred električnim udarom. Orodja nikoli ne uporabljajte v bližini žic ali kablov, po katerih lahko teče električni tok. Tako lahko znatno zmanjšate nevarnost električnega udara.

**⚠ SVARILO:** Med uporabo nosite primerno zaščito za sluh. Pod nekaterimi pogoji in dolžino uporabe lahko ta izdelek prispeva k izgubi sluha.

### URJENJE

- Pazljivo preberite navodila. Seznanite se s kontrolami in pravilno uporabo naprave.
- Naprave nikoli ne smejo uporabljati otroci ali osebe, ki s to napravo niso seznanjene. Krajevni predpisi lahko omejujejo starostno mejo upravljavcev.
- Zapomnite si, da je uporabnik ali upravljavec odgovoren za vse nesreče ali nevarnosti, ki bi se lahko zgodile prisotnim ali njihovi lastnini.

### PRIPRAVA

- Če so v bližini ljudje, še posebej otroci ali domače živali, naprave ne uporabljajte.
- Nosite zaščito za oči in robustne čevlje ves čas upravljanja stroja.
- Razdalja med strojem in opazovalci mora biti vsaj 15 m.
- Ne uporabite kovinskih rezil.

### DELOVANJE

- Stroj uporabljajte le podnevi ali ob dobri umetni svetlobi.
- Stroja nikoli ne upravljajte, če so ščitniki poškodovani, ali če niso na mestu.
- Motor zaženite le, ko imate dlani in stopala stran od rezil.
- Stroj vedno odklopite iz vira napajanja (vtič odstranite iz vtičnice ali odstranite napravo za ustavljanje),
  - kadar koli pustite stroj brez nadzora;
  - pred čiščenjem blokade;
  - pred pregledom, čiščenjem ali delom na napravi;
  - potem, ko zadenete ob tujek;

- kadar koli začne stroj nenormalno vibrirati.
- Pazite na morebitne poškodbe dlani iz stopal z rezili.
- Vedno poskrbite, da so odprtine za zračenje čiste.

### VZDRŽEVANJE IN SHRANJEVANJE

- Stroj vedno odklopite iz vira napajanja (vtič odstranite iz vtičnice ali odstranite napravo za ustavljanje) pred vzdrževanjem ali čiščenjem.
- Uporabljajte samo originalne dele in dodatke ter upoštevajte priporočila proizvajalca.
- Stroj redno preverjajte in vzdržujte. Stroj naj popravila le pooblaščen serviser.
- Ko ni v uporabi, stroj pospravite izven dosega otrok.

### DRUGA VARNOSTNA OPOZORILA

- Izogibajte se nevarnim okoljem. Kosilnic z nitko ne uporabljajte v vlažnih ali mokrih okoljih.
- Kadar pustite kosilnico z nitko brez nadzora, jo vedno izključite ali odstranite baterijski sklop.
- Naprave ne uporabljajte v dežju.
- Otroci naj se ne približujejo napravi. Vsi obiskovalci morajo biti na primerni razdalji od delovnega območja.
- Primerno se oblecite. Ne nosite ohlapnih oblačil ali nakita. To lahko povzroči ujetje med premikajoče dele. Uporabite gumijaste rokavice in delovno obutev, predpisano za zunanja dela. Če imate dolge lase, nosite tudi zaščitno pokrivalo.
- Uporabljajte varnostna očala – med uporabo naprave vedno uporabljajte varnostna očala.
- Uporabite pravo napravo. Orodje uporabljajte izključno za dela, za katera je namenjeno.
- Kosilnice z nitko ne uporabljajte s silo. Svoje delo bo opravljala bolje in z manjšo verjetnostjo poškodb pri hitrosti, za katero je bila zasnovana.
- Ne segajte predaleč. Pazite, da stojite stabilno in da imate ravnotežje.
- Ostanite pozorni. Pazite, kaj delate. Uporabite zdrav razum. Kadar ste utrujeni, kosilnice z nitko ne uporabljajte.
- Kosilnice z nitko ne upravljajte, če ste pod vplivom alkohola ali drog.
- Ščitniki naj bodo na mestu in delujoči.
- Kosilnico z nitko shranjujte v notranjem prostoru. Kadar je ne uporabljate, jo shranite v notranjem prostoru, ki je suh in nekoliko dvignjen ali zaklenjen, da ni v dosegu otrok. Baterijski sklop pred shranjevanjem odstranite.

- Skrbno vzdržujte kosilnico z nitko. Priključek za košnjo naj bo čist, saj tako omogoča najboljše rezultate in zmanjšuje tveganje za poškodbe. Sledite navodilom za menjavo priključkov. Ročaji naj bodo suhi, čisti in brez madežev olja ali masti.
- Preglejte za morebitne poškodovane dele. Pred nadaljnjo uporabo je treba poškodovan ščitnik ali kateri koli drug del je treba natančno pregledati in določiti, če bo pravilno izvajal svojo predvideno funkcijo. Preverite nastavitve premikajočih se delov, njihove povezave, morebitne lome, namestitve in druge pogoje, ki bi lahko vplivali na delovanje naprave. Ščitnik ali drug del, ki je poškodovan, morajo ustrezno popraviti ali nadomestiti na pooblaščenem servisnem centru, razen če je v tem priročniku navedeno drugače.
- Območje rezanja pred vsako uporabo počistite. Odstranite vse predmete, kot so kamni, zdrobljeno steklo, žebliji, žica ali vrvi, ki jih lahko vrže ali se zapletejo v priključek za košnjo. Poskrbite, da bodo druge osebe in hišni ljubljenci vsaj 15 m stran.
- Pred uporabo stroja in po morebitnih udarcih stroj pregledajte za poškodbe in obrabljene dele.
- Med upravljanjem kosilnico z nitko vedno držite trdno z obema rokama na ročajih. Prste ovijte okoli ročajev.
- Izognite se nenamernemu zagonu. Kosilnice z nitko ne prenašajte s prstom na sprožilcu.
- Kosilnice z nitko ne uporabljajte v eksplozivnih atmosferah. Motorji v teh napravah običajno oddajajo iskrice in iskrice lahko zanetijo hlape.
- Poškodbe kosilnice z nitko: če udarite ob tujek ali se kosilnica zaplete, jo takoj ustavite, odstranite baterijski sklop, pregledajte za poškodbe in morebitne poškodbe odpravite pred nadaljnjo uporabo. Izdelka ne uporabljate z zlomljenim ščitnikom ali vretenom.
- Če začne oprema nenormalno vibrirati, ustavite motor in odstranite baterijski sklop. Napravo tako pregledajte za vzrok. Vibracije so običajno opozorilo pred težavami. Vibracije lahko povzročijo zrahljana glava, razpoka, odlomljenje rezila, kar lahko vodi v resne telesne poškodbe ali celo smrt. Pripravičajte se, da je priključek za košnjo pravilno nameščen na mestu. Če se glava zrahlja potem, ko ste jo pričvrstili na mesto, jo nemudoma zamenjajte. Nikoli ne uporabljajte kosilnice z nitko, ki ima zrahljan priključek za košnjo.
- Razpokano, poškodovano ali izrabljeno glavo za košnjo nemudoma zamenjajte, tudi če gre le za površinske razpoke. Takšni priključki se lahko pri visokih hitrostih razletijo in povzročijo redno ali smrtno poškodbo.
- Preverite priključek za košnjo v rednih kratkih intervalih med delovanjem oziroma takoj, ko opazite spremembo v obnašanju pri košnji.
- S tem orodjem uporabljajte le ustrezne polimerne dodatke za nitko in nitke, ki so oblikovane za to orodje proizvajalca EGO™. Kljub temu, da lahko na kosilnico z nitko EGO™ namestite tudi neoriginalne priključke, je takšna uporaba lahko nevarna in/ali povzroči poškodbe na orodju.
- Da zmanjšate nevarnost za resno poškodbo, nikoli ne uporabljajte žice ali kovinsko ojačane nitke namesto najlonskih nitk. Delci žice lahko odlomijo in z veliko hitrostjo odletijo proti upravljavcu ali opazovalcev.
- Da zmanjšate nevarnost poškodb zaradi izgube nadzora, naprave nikoli ne uporabljajte na lestvi ali drugih nestabilnih podporah. Priključka za košnjo nikoli ne držite nad višino pasu.
- Če pride do situacij, ki jih ta priročnik ne predvideva, bodite pazljivi in uporabite dobro presojo. Za pomoč stopite v stik servisnim centrom EGO.
- Baterijskega sklopa ne polnite v dežju ali na vlažnih mestih.
- Napravo uporabljajte le z akumulatorji in polnilniki EGO.

AKUMULATOR	POLNILNIK
BA1120E, BA1400, BA2240E BA2800, BA3360, BA4200, BA1400T, BA2800T, BA4200T	CH2100E, CH5500E

- Preden napravo zavržete, morate iz nje odstraniti baterijski sklop.
- Baterijo morate varno odvreči.
- Akumulatorja ne mečite v ogenj. Celice lahko eksplodirajo. Preverite lokalne predpise za morebitna posebna navodila glede odstranjevanja.
- Baterije ne odpirajte ali poškodujte. Sproščeni elektroliti so korozivni in lahko poškodujejo oči ali kožo. Lahko so strupeni, če jih zaužijete.
- Pri ravnanju z baterijami bodite previdni in pazite, da ne povzročite kratkega stika s prevodnimi materiali, kot so prstani, zapestnice in ključi. Baterija ali prevodnik se lahko pregrejeta in povzročite opekline.
- Pri servisiranju uporabljajte le identične nadomestne dele EGO™. Uporaba drugih dodatkov ali priključkov lahko poveča nevarnost poškodb.
- Baterijskih orodij ni potrebno vključiti v električno vtičnico, zato so vedno v stanju delovanja. Zavedajte se mogočih nevarnosti tudi, ko orodje ne deluje. Bodite previdni pri vzdrževanju ali servisiranju.
- Naprave ne umivajte s cevjo. Voda naj ne pride v motor ali električne priključke.

- TA NAVODILA SHRANITE. Pogosto jih preberite. Uporabite jih tudi za poučevanje ostalih, ki uporabljajo to napravo. Če to orodje komu posodite, posodite tudi ta navodila, da tako za preprečite nepravilno uporabo izdelka in možnost poškodb.
- Pri upravljanju stroja vedno nosite primerno obutev in dolge hlače.
- Vedno poskrbite za oporo na pobočjih in pri hoji. Nikoli ne tecite.

## TA NAVODILA SHRANITE!

## TEHNIČNI PODATKI

Napetost	56 V ---	
No Load Speed	5000/6000 min <sup>-1</sup>	
Mehanizem za košnjo	Udarna glava	
Vrsta nitke za košnjo	2,4mm najlonska zavita nitka	
Širina košnje	38 cm	
Teža (baterijskega sklopa)	4,21Kg	
Izmerjena raven zvočnega tlaka L <sub>WA</sub>	94,3 dB(A) K=1,37 dB(A)	
Raven zvočnega tlaka v ušesu upravljavca L <sub>PA</sub>	82,6 dB(A) K=3 dB(A)	
Zajamčena raven zvočnega tlaka L <sub>WA</sub> (v skladu z direktivo 2000/14/ES)	96 dB(A)	
Treslaji a <sub>n</sub>	Zadnji ročaj	3,97 m/s <sup>2</sup> K=1,5 m/s <sup>2</sup>
	Sprednji ročaj za prijem	2,78 m/s <sup>2</sup> K=1,5 m/s <sup>2</sup>

## VSEBINA PAKETA

IME DELA	KOLIČINA
Kosilnica z nitko	1
Varovalo	1
Sklop sprednjega ročaja za prijem	1
Imbus ključ	1
Večnamenski ključ	1
Ramenski pas	1
Priročnik z navodili za uporabo	1

## OPIS

### SPOZNAJTE SVOJO KOSILNICO Z NITKO (slika A)

1. Mejni obroč
2. Sprožilec
3. Zadnji ročaj
4. Dovod zraka
5. Gumb za odklepanje
6. Stikalo za preklop hitrosti
7. Držalo ramenskega pasu
8. Nastavljiv sprednji ročaj za prijem
9. Ramenski pas
10. Večnamenski ključ
11. Imbus ključ
12. Glava obrezovalnika (udarna glava)
13. Nitka za košnjo
14. Jeziček za sprostitve
15. Rezilo z nitko
16. Varovalo
17. Mehanizem za izmet
18. Električni kontakti
19. Zapah
20. Zaščitna gumijasta blazinica
21. Gumb za sprostitve akumulatorja

## SESTAVLJANJE

**⚠ OPOZORILO:** če so deli poškodovani ali manjkajo, orodja ne uporabljajte, dokler ne zamenjate delov. Če ta izdelek uporabljate s poškodovanimi ali manjkajočimi deli, se lahko resno poškodujete.

**⚠ OPOZORILO:** tega orodja ne poskušajte spreminjati in ne poskušajte izdelovati dodatkov, ki niso primerni za uporabo s to kosilnico z nitko. Vsako tako spreminjanje je zloraba in lahko privede do tveganj, ta pa do hudih telesnih poškodb.

**⚠ OPOZORILO:** pri nameščanju delov vedno odstranite baterijski sklop, da preprečite nenamerni zagon, ki bi lahko povzročil resno telesno poškodbo.

### NAMESTITEV ŠČITNIKA

**⚠ OPOZORILO:** pri montaži ali zamenjavi ščitnika vedno nosite rokavice. Bodite pozorni na rezilo na ščitniku in zaščitite dlan, da se ne poškodujete.

**⚠ OPOZORILO:** orodja nikoli ne upravljajte brez ščitnika, trdno nameščenega na mestu. Ščitnik mora biti vedno nameščen na orodju za zaščito uporabnika! Ko je ščitnik pritrjen, ga ne poskušajte odstraniti ali prilagoditi. Če ga morate zamenjati, ga mora zamenjati kvalificiran serviser!

1. Na ščitniku odvijte in odstranite dva vijaka (slika B).
2. Odprtine za montažo varovala poravnajte z odprtinami sklopa in nato varovalo zaklenite na podnožje gredi z dvema vijakoma in z dvema vzmetnima podložkama (slika C).

**OPOMBA:** prepričajte se, da je ščitnik pritrjen v skladu s slikama B in C. Kakršna koli drugačna namestitve bo povzročila veliko nevarnost.

## MONTAŽA IN PRILAGAJANJE SPREDNJEGA ROČAJA ZA PRIJEM

1. Sprostite pritrdilni drog na sprednjem ročaju za prijem ter odstranite pritrdilni drog in krilno matico s sprednjega ročaja za prijem (slika D).

Slika D: za opis delov glejte spodaj:

D-1	Pritrdilni drog	D-3	Pritrdilni blok
D-2	Sprednji ročaj za prijem	D-4	Matica

2. Potisnite sprednji ročaj za prijem na drog (slika E).
3. Vstavite pritrdilni blok v režo ročaja (slika F).
4. Namestite pritrdilni drog in ga privijte s krilno matico. Preverite, ali je nastavljen sprednji ročaj za prijem obrnjen navzgor v smeri zgornjega dela zadnjega ročaja (slika G).
5. Nastavljen sprednji ročaj za prijem namestite med mejni obroč in oznako, da se prepričate, da je vaša sprednja roka med delom iztegnjena (slika H).
6. Zaklenite ročico pritrdilnega droga. (Slika I).

**OPOMBA:** Sprednji ročaj za prijem naj bo obrnjen navzgor tako, da bo usmerjen proti vrhu zadnjega ročaja.

**⚠ OPOZORILO:** Med mejni obroč in oznako na drogu namestite samo nastavljen sprednji ročaj za prijem.

**⚠ OPOZORILO:** orodja ni mogoče uporabiti, če sprednji ročaj za prijem ni dobro pritrjen.

## NAMEŠČANJE RAMENSKEGA PASU

Pritisnite kavelj pasu, da ga odprete, in ga pričvrstite na držalo ramenskega pasu (slika J).

## DELOVANJE

**⚠ OPOZORILO:** četudi se dobro seznanite s tem izdelkom, pri rokovanju z njim ne postanite neprevidni. Pomnite, da je brezskrbni delec sekunde dovolj za resno poškodbo.

**⚠ OPOZORILO:** poleg zaščite za sluh vedno uporabljajte tudi varnostna očala s stranskim varovalom. Če jih ne boste uporabili, bi lahko prišlo do resnih poškodb zaradi predmetov, ki bi prileteli v oči.

**⚠ OPOZORILO:** ne uporabljate priključkov ali dodatkov, ki jih proizvajalec tega izdelka ne priporoča. Uporaba priključkov ali dodatkov, ki niso priporočeni, lahko privede do hudih telesnih poškodb.

**⚠ OPOZORILO:** pred servisiranjem, čiščenjem, zamenjavo priključkov ali odstranjevanjem materiala iz enote odstranite baterijski sklop iz enote, da preprečite resno telesno poškodbo.

Ta izdelek lahko uporabljate za naslednje namene:

**Obrezovanje:** uporablja se za odstranjevanje trave in plevela ob stenah, ograjah, drevesih in mejah.

**Košnja:** uporablja se za košnjo trave, ki jo je z običajno kosilnico težko doseči.

**OPOMBA:** orodje lahko uporabljate samo za predpisan namen. Kakršna koli druga uporaba, kot je obrezovanje robov, se smatra za nepravilno uporabo.

## PRIKLJUČITEV/ODKLOP BATERIJSKEGA SKLOPA

**Pred prvo uporabo popolnoma napolnite baterijski sklop**

### Za priključitev

Rebra baterije poravnajte z režami za namestitev in baterijski sklop potisnite navzdol, da zaslišite »klik« (slika K).

### Za odklop

Pritisnite gumb za sprostitev baterije in izvlcite baterijski sklop, kot prikazuje slika L.

Slika L: za opis delov glejte spodaj:

L-1	Gumb za sprostitev baterije
-----	-----------------------------

## PRIJEM KOSILNICE Z NITKO

**⚠ OPOZORILO:** za upravljanje tega orodja se primerno oblecite, da zmanjšate nevarnost poškodb. Ne nosite ohlapnih oblačil ali nakita. Uporabljajte zaščito za oči in ušesa. Nosite trpežne dolge hlače, škornje in rokavice. Ne nosite kratkih hlač, sandal in ne bodite bos.

Pred upravljanjem se postavite v položaj za upravljanje ter preverite zaščito za oči, primerna oblačila, ravnotežje in iztegnjeno roko, v kateri držite sprednji ročaj.

**OPOMBA:** Glava kosilnice z nitko je vzporedna s tlemi na primerni razdalji za košnjo, pri čemer se upravljaavec ne sklanja preko kosilnice (slika N).

Za varno in boljše delovanje si preko rame nadenite ramenski pas, kot je prikazano na sliki N. Ramenski pas nastavite v udoben položaj za upravljanje. Kosilnico z nitko držite z obema rokama. Z eno roko držite zadnji ročaj, z drugo pa sprednji ročaj.

Obstajata dva načina za sprostitvev pasu. Neposredno ga snemite z ramena (slika O) ali pa pritisnite kavelj pasu in ga odstranite od cevaste sponke, ki je pritrjena držalo ramenskega pasu na gredi (slika P).

**⚠ OPOZORILO:** ramenski pas je tudi hiter mehanizem za sprostitvev v nevarnih situacijah. V nujnih primerih ga nemudoma snemite z rame, ne glede na to, kako je vstavljen.

## ZAGON/AUSTAVITEV KOSILNICE Z NITKO (slika M)

### Zagon

Vzvod za odklepanje pritisnite navzdol, nato pritisnite sprožilec. Drugačen pritisk na sprožilcu se odrazi v spremenljivi hitrosti vrtenja nitke za košnjo. Močnejši pritisk pomeni višjo hitrost.

### Zaustavitev

Spustite sprožilec.

**OPOMBA:** Motor teče le, kadar pritisnete na gumb za odklepanje in sprožilec.

**⚠ OPOZORILO:** Med delovnimi odmori in po končanem delu iz kosilnice z nitko vedno odstranite akumulator.

### Funkcija prilagoditve hitrosti (slika M)

Kosilnica z nitko ima dve hitrosti. Položaj »1« je za nizko hitrost, položaj »2« pa za visoko hitrost. Potisnite ali povlecite stikalo za nastavljanje hitrosti, da izberete ustrezno hitrost delovanja.

Slika M: za opis delov glejte spodaj:

M-1	Stikalo za prekop hitrosti
M-2	Gumb za odklepanje
M-3	Sprožilec

## UPORABA KOSILNICE Z NITKO

**⚠ OPOZORILO:** Da se izognete resni telesni poškodbi, nosite očala ali zaščitna očala ves čas upravljanja enote. Na prašnih lokacijah uporabljajte obrazno masko ali protiprašno masko.

Območje rezanja pred vsako uporabo počistite. Odstranite vse predmete, kot so kamni, zdrobljeno steklo, žebli, žica ali vrvi, ki jih lahko vrže ali se zapletejo v priključek za košnjo. Na območju naj ne bo otrok, opazovalcev in hišnih ljubljencev. Otroci, opazovalci in hišni ljubljenci naj bodo oddaljeni vsaj 15 m. Še vedno lahko obstaja nevarnost letajočih predmetov za opazovalce. Prisotni naj uporabljajo tudi zaščito sluha. Če pristopite, takoj ustavite motor in priključek za košnjo.

### Pred vsako uporabo napravo pregledite za poškodovane/obrabljene dele

Pregledite udarno glavo, ščitnik in sprednji ročaj za prijem ter zamenjajte dele, ki so razpokani, zviti, upognjeni ali kakor koli poškodovani.

Rezilo z nitko na robu ščitnika lahko sčasoma postane topo. Priporočljivo je, da ga redno ostrite s pilo ali ga zamenjate z novim rezilom.

**⚠ OPOZORILO:** med nameščanjem ščitnika ali servisiranjem rezila vedno uporabljajte rokavice. Bodite pozorni na rezilo na ščitniku in zaščitite dlan, da se ne poškodujete.

### Kosilnico z nitko po vsaki uporabi očistite.

**⚠ SVARILO:** Če bodo na zračnih odprtinah ovire, bodo te ovirale tok zraka v ohišje motorja, kar bo privedlo do pregrevanja ali poškodbe motorja.

Za čiščenje orodja uporabite blago milo in vlažno krpo. Poskrbite, da v orodje ne bo vstopila tekočina. Nobenega dela orodja ne namakajte v tekočino.

Poskrbite, da bodo zračne odprtine motorja vedno prosto prehodne.

**⚠ OPOZORILO:** kosilnice z nitko nikoli ne čistite z vodo. Pri čiščenju plastičnih delov ne uporabljajte topil. Večina vrst plastike se lahko pri uporabi različnih komercialnih topil poškoduje. Umazanje, prah, olje, maščobe itd. odstranite s čisto krpo.

## PRILAGAJANJE DOLŽINE NITKE

Glava kosilnice z nitko upravljavcu omogoča sprostitev več nitke za košnjo brez zaustavitve motorja. Ko se nitka scefra ali obrabi, lahko sprostite dodatno nitko tako, da narahlo potolčete z glavo kosilnice ob tla med delovanjem kosilnice (slika Q).

**OPOMBA:** sproščanje nitke bo postalo težje, ko bo nitka postajala krajša.

**⚠ OPOZORILO:** sklopa rezila ne odstranjujte ali spreminjajte. Prevelika dolžina nitke bo povzročila pregrevanje motorja, ki lahko povzroči resno telesno poškodbo.

## ZAMENJAVA NITKE

**OPOMBA:** vedno uporabljajte priporočeno najlonsko nitko za košnjo s premerom, ki ni večji od 2,4 mm. Uporaba drugačne nitke lahko povzroči pregretje ali poškodbe kosilnice z nitko.

**⚠ OPOZORILO:** nikoli ne uporabljajte nitke s kovinsko ojačitvijo ali žice, vrvi itd. Lahko se odrgajo in postanejo nevarne.

1. Odstranite akumulator.
2. Če je treba, odstranite preostalo nitko za košnjo.
3. Odrežite 4-metre dolgo nitko za rezanje. Nitko vstavite v luknjo za namestitev v vstavitveni odprtini (slika R). Potisnite in na drugi strani povlecite nitko ven, tako da bosta na obeh straneh vretena enaki dolžini nitke.
4. Pritisnite, hkrati pa vrtite spodnji sklop pokrova v smeri puščice, da nitko navijete na vreteno in je na vsaki strani vretena približno 14 cm nitke (slika S).
5. Spodnji sklop pokrova potiskajte navzdol, medtem ko ročno vlečete nitko za ročno namestitev nitke, in da preverite pravilno namestitev glave kosilnice z nitko.

Če se nitka za košnjo odloži iz izhoda za nitko ali če se nitka ne sprostí, ko potolčete glavo kosilnice z nitko, sledite spodnjim korakom:

1. Pritisnite jezičke za sprostitev zgornjega pokrova in odstranite spodnji sklop pokrova tako, da ga izvlečete naravnost ven (sliki T in U).

2. Nitko za košnjo odstranite z vretena.
3. Z eno roko pridržite spodnji sklop pokrova, z drugo roko pa primate spodnji sklop pokrova in poravnajte zaklepe na zgornjem pokrov z odprtini v spodnjem sklopu pokrova (slika V). Z dlanjo pritisnite na spodnji sklop pokrova, da se zaklepi zaklenejo z zgornjim pokrovom.
4. Za ponovno namestitev nitke za košnjo sledite navodilom v razdelku »ZAMENJAVA NITKE«.

## VZDRŽEVANJE

**⚠ OPOZORILO:** Pri servisiranju uporabljajte le identične nadomestne dele. Uporaba drugih delov je tvegana in lahko povzroči škodo na izdelku. Za zagotovitev varnosti in zanesljivosti mora vsa popravila izvesti usposobljen serviser.

**⚠ OPOZORILO:** Baterijskih orodij ni potrebno vključiti v električno vtičnico, zato so vedno v stanju delovanja. Da preprečite resno telesno poškodbo, bodite izjemno previdni pri vzdrževanju, servisiranju ali zamenjavi priključka za košnjo oziroma drugih priključkov.

**⚠ OPOZORILO:** Da preprečite resno telesno poškodbo, pred servisiranjem, čiščenjem, zamenjavo priključkov ali odstranjevanjem materiala iz enote odstranite baterijski sklop iz orodja.

## ČIŠČENJE ENOTE

- Enoto očistite z vlažno krpo in blagim detergentom.
- Za čiščenje plastičnega dela ročaja ne uporabljajte močnih čistilnih sredstev. Poškodujejo ga lahko določena aromatična olja, kot sta olje bora in limone, ter topila, kot je kerozin. Vlaga prav tako lahko ustvari nevarnost električnega udara. Vlago obrišite z mehko in suho krpo.
- Zračne odprtine v zadnjem delu ohišja očistite z majhno krtačo ali s krtačno majhnega sesalnika.

## MAZANJE ZOBNIKOV

Zobnike v ohišju je treba redno mazati z mazivom za zobnike. Raven maziva preverite približno vsakih 50 ur delovanja, tako da odstranite tesnilni vijak ob strani ohišja.

Če ob strani zobnikov ne vidite maziva, sledite spodnjim korakom in ohišje napolnite z mazivom do 3/4 prostornine. Ohišja z zobniki ne napolnite povsem.

1. Kosilnico z nitko obrnite na stran, da je tesnilni vijak obrnjen navzgor (slika Y).

2. S priloženim večnamenskim ključem odvijte tesnilni vijak in ga odstranite.
3. Z brizgalko (ni priložena) vbrizgajte nekaj maziva v luknjo vijaka. Ne napolnite več kot 3/4 prostornine ohišja.
4. Privijte tesnilni vijak.

### SHRANJEVANJE ENOTE

- Ko akumulatorja ne uporabljate, ga odstranite iz kosilnice z nitko.
- Orodje pred shranjevanjem temeljito očistite.
- Enoto shranite v suhem in dobro zračenem prostoru, ki se zaklepa ali je dvignjen, da ne bo na dosegu otrok. Enote ne shranjujte na ali v bližini gnojil, bencina ali drugih kemikalij.

### Varovanje okolja



Električne opreme, polnilnika baterij in baterij/baterij, ki jih je mogoče polniti, ne odvrzite med gospodinjske odpadke!

V skladu z evropskim zakonom 2012/19/EU glede električne in elektronske opreme, ki ni več uporabna, in v skladu z evropskim zakonom 2006/66/EC glede pokvarjenih ali izrabljenih baterijskih sklopov/baterij, je treba baterije zbrati ločeno in odvreči na okoljsko sprejemljiv način.

Če električne naprave odvržete na smetišča, lahko nevarne snovi pronicajo v podtalnico in tako pridejo v prehranjevalno verigo, s čimer ogrozijo vaše zdravje in dobro počutje.

## ODPRAVLJANJE TEŽAV

TEŽAVA	VZROK	REŠITEV
Kosilnice z nitko ni mogoče zagnati.	<ul style="list-style-type: none"> <li>■ Akumulator ni nameščen v kosilnici z nitko.</li> <li>■ Med kosilnico z nitko in akumulatorjem ni električnega stika.</li> <li>■ Akumulator je izpraznjen.</li> <li>■ Gumb za odklepanje in sprožilnik nista sproščena sočasno.</li> </ul>	<ul style="list-style-type: none"> <li>■ Namestite akumulator v kosilnico z nitko.</li> <li>■ Odstranite akumulator, preverite kontakte in znova namestite akumulator.</li> <li>■ Napolnite akumulator.</li> <li>■ Gumb za odklepanje pritisnite navzdol in ga pridržite, nato pritisnite sprožilec, da vključite kosilnico z nitko.</li> </ul>
Kosilnica z nitko se med košnjo ustavi.	<ul style="list-style-type: none"> <li>■ Ščitnik ni nameščen na kosilnici z nitko, zato prihaja do predolge nitke za košnjo predolga in do preobremenjenosti motorja.</li> <li>■ Uporabljena je debela nitka za košnjo.</li> <li>■ Okoli gredi motorja ali glave kosilnice z nitko je ovita trava.</li> <li>■ Motor je preobremenjen.</li> <li>■ Akumulator ali kosilnica z nitko meje je prevroča.</li> <li>■ Akumulator ni povezan z orodjem.</li> <li>■ Akumulator je izpraznjen.</li> </ul>	<ul style="list-style-type: none"> <li>■ Odstranite akumulator in pritrdite ščitnik na kosilnico z nitko.</li> <li>■ Uporabljajte standardno najlonsko nitko za košnjo, ki ni debelejša od 2,4 mm.</li> <li>■ Zaustavite kosilnico z nitko, odstranite akumulator, nato pa odstranite travo z gredi motorja in glave kosilnice z nitko.</li> <li>■ Odstranite glavo kosilnice z nitko iz trave. Motor bo zopet deloval, ko boste odpravili obremenitev. Med vsakim premikom glave kosilnice med košenjem ne premikajte več kot 20 cm v travo in iz nje.</li> <li>■ Počakajte, da se akumulator ali kosilnica z nitko ohladi do temperature pod 67 °C.</li> <li>■ Ponovno namestite akumulator.</li> <li>■ Napolnite akumulator.</li> </ul>



TEŽAVA	VZROK	REŠITEV
Glava kosilnice ne podaja nitke.	<ul style="list-style-type: none"> <li>■ Okoli gredi motorja ali glave kosilnice z nitko je ovita trava.</li> <li>■ Na vretenu ni dovolj nitke.</li> <li>■ Glava kosilnice z nitko je umazana.</li> <li>■ Nitka je zavozlana na vretenu.</li> <li>■ Nitka je prekratka.</li> </ul>	<ul style="list-style-type: none"> <li>■ Zaustavite kosilnico z nitko, odstranite akumulator, nato pa očistite gred motorja in glavo kosilnice z nitko.</li> <li>■ Odstranite akumulator in zamenjajte nitko za košnjo. Upoštevajte navodila v razdelku »ZAMENJAVA NITKE« v tem priročniku.</li> <li>■ Odstranite akumulator in očistite glavo kosilnice z nitko.</li> <li>■ Odstranite akumulator, odstranite nitko iz glave kosilnice z nitko in jo znova navijte. Upoštevajte navodila v razdelku »VNOVIČNO NAVIJANJE NITKE ZA KOŠNJO« v tem priročniku.</li> <li>■ Odstranite akumulator in ročno povlecite nitko, medtem ko izmenično pritiskate in sproščate glavo obrezovalnika.</li> </ul>
Trava se ovije okoli glave kosilnice in ohišja motorja.	<ul style="list-style-type: none"> <li>■ Košnja visoke trave pri tleh.</li> </ul>	<ul style="list-style-type: none"> <li>■ Visoko travo kosite z vrha navzdol in je naenkrat ne pokosite več kot 20 cm, da preprečite ovijanje.</li> </ul>
Razpoke na glavi kosilnice ali pa se spodnji sklop pokrova loči od zgornjega pokrova.	<ul style="list-style-type: none"> <li>■ Glava kosilnice z nitko je izrabljena.</li> </ul>	<ul style="list-style-type: none"> <li>■ Glavo kosilnice z nitko naj nemudoma zamenja kvalificiran serviser.</li> </ul>

## GARANCIJA

### GARANCIJSKA POLITIKA DRUŽBE EGO

Za popolne pogoje garancijske politike družbe EGO obiščite spletno stran [egopowerplus.com](http://egopowerplus.com).

## PERSKAITYKITE VISĄ INSTRUKCIJĄ!



**PERSKAITYKITE NAUDOJIMO INSTRUKCIJĄ**

**⚠ Liekamoji rizika!** Žmonės, kuriems implantuoti elektroniniai prietaisai, pvz., širdies stimulatoriai, prieš pradėdami naudoti šį gaminį turėtų pasikonsultuoti su savo gydytoju (-ais). Šalia širdies stimulatoriaus veikianti elektros įranga gali sukelti širdies stimulatoriaus veikimo trukdžius arba gedimą.

**⚠ ĮSPĖJIMAS:** Norint užtikrinti saugų ir patikimą gaminio naudojimą, visus remonto ir keitimo darbus turi atlikti kvalifikuotas techninės priežiūros specialistas.

## SAUGOS SIMBOLIAI

Šių simbolių paskirtis – atkreipti dėmesį į galimus pavojus. Gerai susipažinkite su saugos simboliais bei jų paaiškinimais ir juos įsidėmėkite. Simbolių įspėjimai patys savaime negali apsaugoti nuo pavojų. Jais žymimi nurodymai ir įspėjimai neatstoja tinkamų nelaimingų atsitikimų prevencijos priemonių.

**⚠ ĮSPĖJIMAS:** Prieš pradėdami naudoti šį gaminį perskaitykite visus šioje naudojimo instrukcijoje pateiktus saugos nurodymus, taip pat susipažinkite su visais saugos įspėjimaisiais simboliais, tokiais kaip „PAVOJUS“, „ĮSPĖJIMAS“, ir „PERSPĖJIMAS“, ir įsitinkite, kad juos supratote. Nesilaikant visų toliau išdėstytų nurodymų galima patirti elektros smūgį, sukelti gaisrą ir (arba) sunkiai susižeisti.

## SIMBOLIO REIŠMĖ

**SAUGOS ĮSPĖJAMASIS SIMBOLIS:** nurodo **PAVOJŲ**, **ĮSPĖJIMĄ**, arba **PERSPĖJIMĄ**. Gali būti panaudotas su kitais simboliais arba piktogramomis.



**⚠ ĮSPĖJIMAS:** Naudojant bet kokius elektros prietaisus gali būti išsviesti ir pataikyti į akis pašaliniai objektai, galintys sunkiai sužeisti akis. Prieš pradėdami naudoti elektros prietaisą, visada užsidėkite apsauginius akinius arba apsauginius akinius su šonine apsauga ir, kai reikia, visą veidą dengiantį skydelį. Rekomenduojame naudoti platų matymo lauką užtikrinančią apsauginę kaukę ant akinių arba standartinius apsauginius akinius su šonine apsauga.

## SAUGOS NURODYMAI

Šiame puslapyje pavaizduoti ir aprašyti saugos simboliai, kurių gali būti ant šio gaminio. Prieš pradėdami surinkti ir naudoti prietaisą, perskaitykite visus ant jo pateiktus nurodymus, įsitinkite, kad juos supratote, ir jais vadovaukitės.

	Saugos įspėjimas	Nurodo galimą susižalojimo pavojų.
	Perskaitykite naudojimo instrukciją	Kad sumažintų pavojų susižaloti, naudotojas turi perskaityti naudojimo instrukciją ir įsitikinti, kad ją suprato.
	Dėvėkite akių apsaugos priemones	Dirbdami su šiuo gaminio visada būkite užsidėję ausų apsaugos priemones.
	Dėvėkite ausų apsaugos priemones	Dirbdami su šiuo gaminio visada būkite užsidėję ausų apsaugos priemones.
	Nėra pjovimo peilio	Nemontuokite metalinių arba plastikinių pjovimo diskų
	Neleiskite artintis pašaliniais asmenims	Užtikrinkite, kad kiti žmonės ir augintiniai laikytųsi ne mažesniu nei 15 m atstumu nuo žoliapjovės, kai ji naudojama.
	Neleiskite artintis pašaliniais asmenims	Užtikrinkite, kad kiti žmonės ir augintiniai laikytųsi ne mažesniu nei 15 m atstumu nuo žoliapjovės, kai ji naudojama.
	Triukšmas	Garso slėgio lygis
	Apsaugos nuo purvo patekimo lygis	Apsauga nuo vandens pusrslų
V	Voltai	Įtampa
mm	Milimetras	Ilgis arba dydis
cm	Centimetras	Ilgis arba dydis
	Nuolatinė elektros srovė	Srovės tipas arba charakteristika

$n_0$	Sūtkiai be apkrovos	Sukimosi greitis, kai nėra apkrovos
$\text{min}^{-1}$	Per minutę	Apsisukimai per minutę

## SVARBŪS SAUGOS NURODYMAI

**⚠️ ĮSPĖJIMAS!** Naudodami elektrines žoliapjoves, visada imkitės svarbiausių atsargumo priemonių, kad sumažintumėte gaisro, elektros smūgio ir susižalojimo pavojų, įskaitant:

### PERSKAITYKITE VISĄ INSTRUKCIJĄ

**⚠️ PAVOJUS!** Nepasikliaukite įrankio izoliacija, saugančia nuo elektros smūgio. Norėdami sumažinti elektros smūgio riziką, niekada neekspluatuokite įrankio šalia bet kokių laidų arba kabelių kuriais gali tekėti elektros srovė.

**⚠️ PERSPĖJIMAS:** Eksploatacijos metu dėvėkite tinkamas asmenines klausos apsaugos priemones. Tam tikromis sąlygomis ir dėl naudojimo trukmės šio gaminio keliamas triukšmas gali prisidėti prie klausos netekimo.

### MOKYMAS

- Atidžiai perskaitykite instrukciją. Susipažinkite su valdikliais ir nurodymais, kaip tinkamai naudoti įrenginį.
- Įrenginio niekada neleiskite naudoti vaikams arba žmonėms, nesusipažinusiems su šia instrukcija. Vietiniai teisės aktai gali riboti operatoriaus amžių.
- Turėkite omenyje, kad operatorius arba naudotojas atsako už nelaimingus atsitikimus ir pavojus, keliamus kitiems žmonėms ir jų nuosavybei.

### PASIRUOŠIMAS

- Niekada neekspluatuokite įrenginio, kai netoliese yra žmonių, ypač vaikų, arba augintinių.
- Visada eksploatuodami įrenginį dėvėkite akių apsaugos priemones ir patvarius batus.
- Visi pašaliniai asmenys turi būti mažiausiai 15 m atstumu nuo įrenginio.
- Nenaudokite metalinių peilių

### NAUDOJIMAS

- Veją pjaukite tik dieną arba esant tinkamam dirbtiniam apšvietimui.
- Niekada nenaudokite įrenginio, kai saugos priemonės ar skydeliai sugadinti arba kai jie neuždėti.
- Variklį įjunkite tik patraukę rankas ir kojas nuo pjovimo dalies.

- Visada atjunkite įrenginį nuo maitinimo šaltinio (t. y. ištraukite kištuką iš elektros lizdo arba nuimkite saugos įtaisą).
  - visada, kai paliekate vejąpjovę be priežiūros;
  - prieš patraukdami kliūtį;
  - prieš tikrindami, valydami įrenginį arba dirbdami prie jo;
  - kliudę pašalinį daiktą;
  - jei įrenginys pradeda neįprastai vibruoti.
- Būkite atsargūs, kad pjovimo priemonėmis nesusižalotumėte kojų ir rankų.
- Visada užtikrinkite kad ventiliacijos angose niekada nebūtų apnašų.

### TECHNINĖ PRIEŽIŪRA IR LAIKYMAS

- Prieš pradėdami techninės priežiūros arba valymo darbus atjunkite įrenginį nuo maitinimo šaltinio (t. y. ištraukite kištuką iš elektros lizdo arba nuimkite saugos įtaisą).
- Naudokite tik gamintojo rekomenduojamas atsargines dalis ir priedus.
- Įrenginį reguliariai apžiūrėkite ir tvarkykite. Įrenginio remontą patikėkite tik įgaliotam remontininkui.
- Kai nenaudojamas, laikykite įrenginį vaikams nepasiekiamoje vietoje.

### KITI SAUGOS ĮSPĖJIMAI

- Venkite pavojingos aplinkos – nenaudokite žoliapjovių drėgnose arba šlapiose vietose.
- Visada, kai paliekate žoliapjovę be priežiūros, ją išjunkite arba išimkite sudėtinės baterijas.
- Nenaudokite lyjant lietuį.
- Neleiskite artyn vaikų – visi lankytojai turi būti tam tikru atstumu nuo darbo zonos.
- Tinkamai apsirenkite – nedėvėkite laisvų drabužių ir nenešiokite laisvai kabančių papuošalų. Judamosios dalys gali juos įtraukti. Dirbant lauke rekomenduojama mėvėti gumines pirštines ir avėti tvirtą avalynę. Dėvėkite apsauginį plaukų apdangalą, po kuriuo galima būtų paslėpti ilgus plaukus.
- Naudokite apsauginius akinius – dirbdami su įrankiu visada naudokite apsauginius akinius.
- Naudokite tinkamą įrenginį – nenaudokite įrenginio jokiems darbams, išskyrus numatytąjį.
- Neperkraukite žoliapjovės – ji atliks darbą geriau ir kils mažesnė pavojaus susižaloti tikimybė, kuri atliks projekto koncepciją.
- Nepraraskite pusiausvyros – visada tvirtai stovėkite ant kojų ir išlaikykite pusiausvyrą.

- Būkite budrūs – stebėkite, ką darote. Vadovaukitės sveika nuovoka. Nedirbkite su žoliapjove, kai esate pavargę.
- Nedirbkite su žoliapjove, jei esate apsvaigę nuo alkoholio arba vaistų.
- Naudokite uždėtas techniškai tvarkingas saugos priemones.
- Laikykite žoliapjovę patalpoje – kai žoliapjovė nenaudojama, laikykite ją su nuimta sudėtine baterija patalpoje, sausoje ir aukštoje arba užrakintoje vietoje, taip pat vaikams nepasiekiamoje vietoje.
- Žoliapjovės techninės priežiūros darbus atlikite atsargiai – pjovimo įtaisas turi būti švarus, kad žoliapjovės efektyviai pjautų ir būtų išvengta sužalojimų. Laikykites nurodymų dėl priedų keitimo. Pasirūpinkite, kad rankenos būtų sausas, švarios ir nesuteptos alyva arba tepalu.
- Patikrinkite pažeistas dalis – prieš tolesnį žoliapjovės naudojimą, reikia atidžiai patikrinti, ar nepažeistos apsaugos priemonės ar kitos dalys, siekiant nustatyti, ar jos veiks tinkamai ir atliks savo paskirtį. Patikrinkite, ar judamos dalys suderintos, judamos dalys pritvirtintos, ar nėra dalių, jungčių pažeidimų, be to, ar nėra kitų sąlygų, kurios gali turėti įtakos jos veikimui. Pažeistos apsaugos priemonės ar kitos dalys turėtų būti tinkamai suremontuotos arba pakeistos įgaliotame techninės priežiūros centre, jei šiame vadove nenurodyta kitaip.
- Prieš kiekvieną naudojimą išvalykite pjaunamą plotą. Pašalinkite viską, pavyzdžiui, akmenis, stiklo duženas, vinis, vielas arba virves, t. y. objektus, kurie pjovimo įtaiso gali būti sviesti į šoną arba jame įsipainioti. Užtikrinkite, kad kiti žmonės ir augintiniai būtų ne mažesniu nei 15 m atstumu.
- Prieš naudodami įrenginį ir po bet kokio smūgio patikrinkite, ar nėra susidėvėjimo ar pažeidimo požymių ir, jei reikia, jį suremontuokite.
- Visada tvirtai laikykite žoliapjovę abiem rankomis už rankenų, kai ji veikia. Sugniaužkite pirštus ir nykščius aplink rankenas.
- Saugokitės atsitiktinio paleidimo – draudžiama nešioti žoliapjovę su pirštu ant gaiduko.
- Nenaudokite greta degalų arba sprogioje aplinkoje. Šių įrenginių varikliai paprastai kibirkščiuoja, o kibirkštys gali uždegti garus.
- Žoliapjovės pažeidimas – jei žoliapjovė atsitrenkia į pašalinį objektą arba jis joje įsipainioja, nedelsdami išjunkite įrenginį, išimkite iš žoliapjovės sudėtinę bateriją, patikrinkite, ar kas nors nepažeista (bet kokie pažeidimai prieš tolesnį darbą turi būti suremontuoti). Nedirbkite su pažeista apsaugos priemone ar rite.
- Jei įrenginys pradeda neįprastai vibruoti, nedelsdami išjunkite variklį, išimkite iš žoliapjovės sudėtinę bateriją ir nustatykite priežastį. Vibracija paprastai įspėja apie

problemą. Palaيدا galvutė gali vibruoti, įskilti, lūžti arba nukristi nuo žoliapjovės, todėl gali sukelti sunkių arba mirtinų sužalojimų. Įsitikinkite, kad pjovimo įtaisas yra pritvirtintas tinkamoje padėtyje. Jeigu galvutė atspalaiduoja po to, kai ji pritvirtinama toje padėtyje, ją iš karto pakeiskite. Niekada nenaudokite žoliapjovės su palaيدا pjovimo įtaisu.

- Nedelsdami pakeiskite pjovimo galvutę, jei ji įtrūkusi, pažeista arba susidėvėjusi, net jei tai tik paviršiniai įtrūkimai. Tokie priedai sukdamiesi dideliu greičiu gali subyrėti ir sukelti sunkių arba mirtinų sužalojimų.
- Tirkinkite pjovimo įtaisą reguliariais trumpais intervalais darbo metu arba tuoj pat, jei yra pastebimas pjovimo pobūdžio pokytis.
- Naudokite tik EGO™ patvirtintą polimerinį pjovimo valą ir žoliapjovių pjovimo valą, skirtus naudoti su šiais įrankiais. Nors EGO™ žoliapjovei gali tikti ir kai kurie nepatvirtinti priedai, jų naudojimas kelia didelį pavojų ir (arba) gali sugadinti įrenginį.
- Siekdami sumažinti sužalojimų pavojų, niekada nenaudokite vielos arba metalu armuoto pjovimo valo ar kitų medžiagų vietoje nailoninio pjovimo valo. Vielą gali nutrūkti ir dideliu greičiu būti sviedžiama į naudotoją arba pašalinius asmenis.
- Siekdami sumažinti sužalojimų pavojų dėl kontrolės praradimo, niekada nedirbkite stovėdami ant kopėčių arba kito nestabiliaus pagrindo. Niekada nelaikykite pjovimo prietaiso virš juosmens.
- Susidarius šioje instrukcijoje neaprašyti situacijai, būkite atsargūs ir vadovaukitės sveika nuovoka. Pagalbos kreipkitės į EGO aptarnavimo centrą.
- Nekraukite sudėtinės baterijos lietuje arba esant drėgnoms sąlygoms.
- Naudokite tik EGO akumulatorius ir įkroviklius.

AKUMULIATORIUS	ĮKROVIKLIS
BA1120E, BA1400, BA2240E BA2800, BA3360, BA4200, BA1400T,BA2800T,BA4200T	CH2100E, CH5500E

- Prieš atiduodant įrenginį į metalo laužą, būtina išimti akumulatorių.
- Akumulatorių reikia išmesti saugiai.
- Nemeskite akumulatoriaus į ugnį. Akumulatoriaus elementai gali sprogti. Dėl specialių šalinimo nurodymų kreipkitės į vietos valdžios institucijas.
- Draudžiama atidaryti arba gadinti bateriją. Išbėgęs elektrolitas sukelia koroziją ir gali pakenkti akims ar odai. Jis gali būti toksiškas priarius.

- Siekdami išvengti trumpojo jungimo atsargiai elkitės su žoliapjovės baterijomis: venkite tokių laidininkų, kaip žiedai, apyrankės ir raktai. Baterija arba laidininkas gali įkaisti ir sukelti nudegimus.
- Atlikdami techninės priežiūros darbus, naudokite tik originalias EGO™ atsargines dalis. Bet kokio kito priedo arba prietaiso naudojimas kelia sužalojimo riziką.
- Baterijų nereikia įjungti į elektros lizdą; jos visada yra darbinės būsenos. Net įrenginiui neveikiant neužmirškite apie jo keliamus pavojus. Atlikdami remonto arba techninės priežiūros darbus, būkite atidūs.
- Neplaukite žoliapjovės su vandens žarna. Saugokite, kad vandens nepatektų ant variklio ir elektros jungčių.
- Išsaugokite šias instrukcijas. Dažnai jas pavartykite ir naudokitės jomis mokydami kitus asmenis, kurie gali naudoti šį prietaisą. Skolindami šį prietaisą kam nors kitam, taip pat paskolinkite ir šias instrukcijas, kad būtų išvengta netinkamo produkto naudojimo arba galimo susižeidimo.
- Dirbdami su įrenginiu, visada avėkite tvirtą avalynę ir mūvėkite ilgas kelnes.
- Dirbdami nuokalnėse judėkite įprastu žingsniu, niekada nebėkite.

### IŠSAUGOKITE ŠIAS INSTRUKCIJAS!

## TECHNINIAI DUOMENYS

Įtampa	56 V ---	
Sūkiiai be apkrovos	5000/6000 min <sup>-1</sup>	
Pjovimo mechanizmas	Pjovimo galvutė	
Pjovimo valo tipas	2,4 mm nailoninis susuktas valas	
Pjovimo plotis	38 cm	
Svoris (be sudėtinės baterijos)	4,21Kg	
Išmatuotas garso galios lygis L <sub>WA</sub>	94,3 dB(A) K=1,37 dB(A)	
Garso slėgio lygis ties operatoriaus ausimi L <sub>PA</sub>	82,6 dB(A) K=3 dB(A)	
Garantuojamas garso galios lygis L <sub>WA</sub> (išmatuotas pagal 2000/14/EB)	96 dB(A)	
Vibracija a <sub>n</sub>	Galinė rankena	3,97 m/s <sup>2</sup> K=1,5 m/s <sup>2</sup>
	Priekinė pagalbinė rankena	2,78 m/s <sup>2</sup> K=1,5 m/s <sup>2</sup>

## PAKUOTĖS TURINIO SĄRAŠAS

DALIES PAVADINIMAS	SKAIČIUS
Žoliapjovė	1
Apsauga	1
Priekinės pagalbinės rankenos blokas	1
Šešiabriaunis raktas	1
Daugiafunkcis raktas	1
Peties diržas	1
Naudojimo instrukcija	1

## APRAŠAS

### SUŽINOKITE, KAIP VEIKIA ŽOLIAPJOVĖ (A pav.)

1. Tarpinis žiedas
2. Gaidukas
3. Galinė rankena
4. Oro įsiurbimo anga
5. Blokuotės išjungiklis
6. Didelio ir mažo greičio jungiklis
7. Peties Diržo pakaba
8. Reguluojama priekinė pagalbinė rankena
9. Peties diržas
10. Daugiafunkcis raktas
11. Šešiabriaunis raktas
12. Žoliapjovės galvutė (pjovimo valas paduodamas spustelėjus galvutę į žemę)
13. Pjovimo valas
14. Atlaisvinimo auselė
15. Pjovimo Valo nukirtimo peilis
16. Apsauga
17. Išstūmimo mechanizmas
18. Elektros kontaktai
19. Užraktas
20. Apsauginė guminė trinkelė
21. Akumuliatoriaus atkabimo mygtukas

## SURINKIMAS

**⚠️ ĮSPĖJIMAS.** Jei kurios nors dalys pažeistos arba jų nėra, nenaudokite šio gaminio tol, kol tos dalys nebus pakeistos. Naudojant šį gaminį, kai dalys pažeistos arba jų trūksta, galima sunkiai susižaloti.

**⚠️ ĮSPĖJIMAS.** Nebandykite keisti šio įrenginio arba kurti priedus, kurių nerekomenduojama naudoti su šios linijos žoliapjove. Visi tokie pakeitimai ir modifikacijos laikomi netinkamu naudojimu. Jie gali lemti pavojingas aplinkybes, dėl kurių galima sunkiai susižaloti.

**⚠️ ĮSPĖJIMAS.** Norėdami išvengti atsitiktinio paleidimo, kuris gali lemti sunkų sužalojimą, visada išimkite akumuliatorių iš įrankio, kai montuojate dalis.

### APSAUGOS MONTAVIMAS

**⚠️ ĮSPĖJIMAS.** Montuodami arba keisdami apsaugą būtinai mūvėkite pirštines. Atidžiai elkitės su ant apsaugos esančiu peiliu ir saugokite rankas nuo įpjovimo.

**⚠️ ĮSPĖJIMAS.** Niekada nenaudokite įrenginio, kai jo apsauga nėra tvirtai užfiksuota tinkamoje padėtyje. Apsauga visada turi būti ant įrenginio ir saugoti naudotoją! Po to, kai apsauga įtvirtinama, niekada nesistenkite jos nuimti arba sureguliuoti. Jeigu apsaugą reikia pakeisti, tai turi atlikti kvalifikuotas techninės priežiūros specialistas!

1. Atlaisvinkite ir išsukite du varžtus iš apsauga (B pav.).
2. Sulyginkite apsaugos tvirtinimo skyles su bloko skylėmis, tada pritvirtinkite apsaugą prie veleno pagrindo dviem varžtais kartu su dviem spyruoklinėmis poveržlėmis (C pav.).

**PASTABA.** Įsitinkinkite, kad apsauga pritvirtinta kaip nurodyta B ir C pav. Atvirkščiai pritvirtinta apsauga kelia didelį pavojų!

### PRIEKINĖS PAGALBINĖS RANKENOS MONTAVIMAS IR REGULIAVIMAS

1. Atlaisvinkite priekinės pagalbinės rankenos fiksavimo kaištį, tada iš priekinės pagalbinės rankenos išimkite fiksavimo kaištį ir išsukite sparnuotąją veržlę (D pav.).

D pav. pavaizduotų dalių aprašas:

D-1	fiksavimo kaištis	D-3	fiksavimo kaladėlė
D-2	Priekinė Pagalbinė rankena	D-4	Sparnuotoji veržlė

2. Užmaukite priekinę pagalbinę rankeną ant koto (E pav.).
3. Įdėkite suspaudimo trinkelę į rankenos angą (F pav.).
4. Sumontuokite fiksavimo kaištį ir jį priveržkite sparnuotąja veržle. Įsitinkinkite, kad priekinė pagalbinė rankena nukreipta į galinės rankenos viršutinę dalį (G pav.).
5. Sureguliuokite priekinę pagalbinę rankeną taip, kad ji būtų tarp tarpinio žiedo ir etiketės – taip užtikrinsite, kad dirbant jūs priekinė ranka bus tiesi (H pav.).
6. Užfiksuokite fiksavimo kaiščio svirtelę. (I pav.).

**PASTABA.** Priekinė pagalbinė rankena turi būti pasukta į viršų, kad būtų nukreipta į galinės rankenos viršų.

**⚠️ ĮSPĖJIMAS.** Priekinę pagalbinę rankeną tvirtinkite tik tarp tarpinio žiedo ir koto etiketės.

**⚠️ ĮSPĖJIMAS.** Šis įrenginys negali būti naudojamas, jei priekinė pagalbinė rankena nėra tinkamai pritvirtinta.

### DIRŽO PER PETĮ MONTAVIMAS

Spausdami atidarykite diržo karabiną ir užkibinkite jį už peties diržo pakabos (J pav.).

## NAUDOJIMAS

**⚠️ ĮSPĖJIMAS.** Mokėjimas naudotis įrenginiu nesuteikia teisės dirbti nerūpestingai. Atsiminkite, kad trumpam atitraukę dėmesį galite sunkiai susižaloti.

**⚠️ ĮSPĖJIMAS.** Kartu su asų apsauga, visada dėvėkite apsauginius akinius arba apsauginius akinius su šoniniais skydeliais. Priešingu atveju veikiančio įrankio išsviestas objektas gali pataikyti į akį arba kitaip sunkiai sužaloti.

**⚠️ ĮSPĖJIMAS.** Nenaudokite priedų arba įtaisų, kurių nerekomendavo šio įrenginio gamintojas. Naudojant nerekomenduojamus papildomus įtaisyms arba priedus, galima sunkiai susižaloti.

**⚠️ ĮSPĖJIMAS.** Kad išvengtumėte sunkių traumų, prieš atlikdami techninę priežiūrą, valydami įrankį, keisdami priedus arba valydami žolės likučius iš įrenginio išimkite akumuliatorių.

Galite naudoti šį įrenginį toliau išvardytais tikslais:

**Apkirpimui:** naudojamas pašalinti žolėms ir piktžolėms prie sienų, tvorų, medžių ir bordiūrų.

**Pjovimui:** naudojamas žolei pjauti vietose, kurias sunku pasiekti naudojant įprastą vejąpovę.

**PASTABA.** Įrankį naudoti tik pagal numatytąją paskirtį. Naudojimas bet kokiais kitai paskirčiai, pvz., pakraščiu apkarpymui, laikomas netinkamu naudojimu.

## AKUMULATORIAUS ĮSTATYMAS / IŠĖMIMAS

**Prieš naudodami pirmą kartą, visiškai įkraukite**

### Įstatant

Sulygiuokite akumulatoriaus briaunes su tvirtinimo groveliais ir spauskite akumuliatorių žemyn, kol išgirsite spragtelėjimą (K pav.).

### Išimant

Paspauskite akumulatoriaus atkabiniimo mygtuką ir išimkite akumuliatorių kaip parodyta L pav.

Toliau pateiktas L pav. parodytų dalių sąrašas.

L-1	Akumulatoriaus atkabiniimo mygtukas
-----	-------------------------------------

## ŽOLIAPJOVĖS LAIKYMAS

**⚠ IŠPĖJIMAS.** Dirbdami su šiuo įrankiu tinkamai apsirenkite, kad sumažintumėte traumų pavojų. Nedėvėkite laisvų drabužių ir nenešioti laisvai kabančių papuošalų. Naudokite akių ir ausų (klausos) apsaugos priemonės. Mūvėkite tvirtos medžiagos ilgas kelnes ir pirštines, avėkite tinkamus batus. Nemūvėkite trumpų kelnų, sandalų ir nedirbkite basomis.

Prieš pradėdami darbą, atsistokite į darbinę padėtį ir išitikinkite, kad dėvėte akių apsaugą, tinkamą aprangą, stovite tvirtai, o ranka, kuria laikote priekinę pagalbinę rankeną, ištiesta.

**PASTABA.** Žoliapjovės galvutė yra lygiagrečiai žemės paviršiumi tinkamu pjovimo atstumu ir operatorius nėra pasilenkęs virš žoliapjovės (N pav.).

Norėdami saugiau ir geriau dirbti su įrenginiu uždėkite diržą ant peties, kaip tai pavaizduota N pav. Sureguliuokite peties diržą taip, kad užtikrintumėte patogią darbinę padėtį. Žoliapjovę laikykite abiem rankomis: Viena ranka laikykite galinę rankeną, o kita – priekinę rankeną.

Diržą galite nusiimti dviem būdais. Nuimti tiesiai nuo paties (O pav.) arba nuspausti diržo karabino liežuvelį ir atkabinti karabiną nuo peties diržo pakabos, pritvirtintos ant koto (P pav.).

**⚠ IŠPĖJIMAS.** Peties diržas kartu yra ir greitai pavojingoje situacijoje atjungiamas mechanizmas. Susidarius kritinei situacijai nedelsiant nuimkite peties diržą, nepaisydami kokioje padėtyje yra diržas.

## ŽOLIAPJOVĖS PALEIDIMAS / STABDYMAS (M pav.)

### Paleidimas

Nuspauskite fiksavimo svirtį, o tada nuspauskite gaiduką. Skirtingu stiprumu spaudžiant gaiduką keičiasi pjovimo valo sukimosi greitis. Stipresnis paspaudimas – didesnis greitis.

### Sustabdymas

Atleiskite gaiduką.

**PASTABA.** Variklis veikia tik tada, kai kartu yra nuspausti blokuotės išjungiklis ir gaidukas.

**⚠ IŠPĖJIMAS.** Darydami pertraukas arba baigę darbą, visada išimkite akumuliatorių iš žoliapjovės.

### Greičio reguliavimo funkcija (M pav.)

Žoliapjovė turi dvi greičio nuostatas. 1 padėtis – mažas greitis, 2 padėtis – didelis greitis. Norėdami darbo metu pasirinkti tinkamą greitį, stumkite arba traukite didelio ir mažo greičio jungiklį.

Toliau pateiktas M paveiksle parodytų dalių aprašas.

M-1	Didelio ir mažo greičio jungiklis
M-2	Blokuotės išjungiklis
M-3	Gaidukas

## ŽOLIAPJOVĖS NAUDOJIMAS

**⚠ IŠPĖJIMAS.** siekdami išvengti sunkaus susižalojimo, dirbdami su įrenginiu visada dėvėkite apsauginius akinius. Dirbdami dulkečioje aplinkoje, dėvėkite visą veidą dengiančią kaukę arba respiratorių.

Prieš kiekvieną naudojimą išvalykite pjaunamą plotą. Pašalinkite viską, pavyzdžiui, akmenis, stiklo duženas, vinis, vielas arba laidus, t. y. objektus, kurie pjovimo įtaiso gali būti sviesti į šoną arba jame įspainioti. Užtikrinkite, kad darbo zonoje nebūtų vaikų, pašalinių asmenų bei naminių gyvūnų. Vaikai, pašaliniai asmenys bei naminiai gyvūnai turi būti nutolę ne mažesniu kaip 15 m atstumu; net ir laikantis šio atstumo, žoliapjovės sviedžiamų objektų pavojus pašaliniams asmenims išlieka. Šalia esantys asmenys turėtų dėvėti akių apsaugą. Jeigu matote jūsų link artėjantį asmenį, nedelsdami išjunkite įrenginį.

Prieš kiekvieną naudojimą patikrinkite, ar nėra sugadintų arba susidėvėjusių dalių

Apžiūrėkite pjovimo galvutę, apsaugos priemonę ir priekinę pagalbinę rankeną. Pakeiskite sutrūkinėjusias, pakeitusias formą, sulinkusias arba bet kaip kitaip pažeistas dalis.

Valo nukirtimo peilis, esantis apsaugos pakraštyje, laikui bėgant gali atšpipti. Rekomenduojama reguliariai galąsti jį dilde arba pakeisti nauju.

**⚠️ ĮSPĖJIMAS.** Montuodami apsaugą arba atlikdami veiksmus su peiliu, visada mūvėkite pirštines. Atidžiai elkitės su ant apsaugos esančiu peiliu ir saugokite rankas nuo įpjovimo.

## Po kiekvieno naudojimo žoliapjovę išvalykite.

**⚠️ PERSPĖJIMAS.** Angose susikaupę žolės likučiai neleidžia orui tekėti į variklio korpusą, dėl to variklis gali perkaisti arba sugesti.

- Įrenginį valykite tik švelniu valikliu ir drėgna šluoste. Niekada neleiskite jokiam skysčiui patekti į įrankio vidų; niekada nenardinkite jokios įrankio dalies į skystį.
- Visada užtikrinkite, kad variklio korpuso ventiliacinėse angose nebūtų žolės likučių.

**⚠️ ĮSPĖJIMAS.** Niekada žoliapjovės valymui nenaudokite vandens. Plastikinių dalių valymui nenaudokite tirpiklių. Įvairūs komerciniai tirpikliai ardo daugelį plastikų. Purvą, dulkes, alyvą, tepalus ir t. t. valykite švaria šluoste.

## PJOVIMO VALO ILGIO REGULIAVIMAS

Naudotojas gali pailginti žoliapjovės galvutės pjovimo valą nestabdydamas variklio. Pjovimo valui atspurus ar sudilus, daugiau valo galima ištraukti, žoliapjovei veikiant nespripriai spustelėti žoliapjovės galvutę į žemės paviršius (Q pav.).

**PASTABA.** Kuo pjovimo valas trumpesnis, tuo sunkiau jį pailginti.

**⚠️ ĮSPĖJIMAS.** Neišimkite ir nekeiskite pjovimo valo nukirtimo peilio konstrukcijos. Jeigu valas per ilgas, gali perkaisti variklis ir galite sunkiai susizeisti.

## VALO KEITIMAS

**PASTABA.** Visada naudokite rekomenduojamą nailoninį pjovimo valą, kurio skersmuo neviršija 2,4 mm. Naudojant kitoki, nei nurodyta, pjovimą valą žoliapjovė gali perkaisti arba sugesti.

**⚠️ ĮSPĖJIMAS.** Niekada nenaudokite metalu armuoto valo, vielos, virvės ar pan. Jie gali nutrūkti ir būti pavojingai išsviesti.

1. Išimkite akumuliatorių.
2. Jei reikia, ištraukite likusį pjovimo valą.

3. Atpjaukite 4 m pjovimo valo, įstatykite valą į plyšelyje esančią montavimo angą (R pav.). Pastumkite valą ir ištraukite kitoje pusėje; traukite, kol abiejose pusėse bus vienodas valo ilgis.
4. Paspaudę ir sukdami rodyklės kryptimi apatinę gaubto dalį, suvyniokite valą ant ritės, kol abiejose pusėse liks maždaug po 14 cm valo (S pav.).
5. Norėdami ištraukti valą nuspauskite apatinę gaubto dalį žemyn ir ranka patraukite valo galus bei patikrinkite, ar tinkamai sumontuota žoliapjovės galvutė.

Kai pjovimo valas nutrūksta prie valo išleidimo angos arba nepailgėja spustelėjus žoliapjovės galvutę į žemę, atlikite šiuos veiksmus:

1. Nuspauskite viršutinio gaubto atkabinimo auseles ir traukdami išimkite apatinę gaubto dalį (T ir U pav.).
2. Nuvyniokite pjovimo valą nuo ritės.
3. Viena ranka laikykite apatinę gaubto dalį, o kita suimkite apatinę gaubto konstrukciją ir sulygiuokite viršutinio gaubto auseles su apatinio gaubto angomis (V pav.); apatinę konstrukciją spauskite delnu iki auselės užsifiksuo viršutiniame gaubte.
4. Norėdami pakeisti pjovimo valą, laikykites skyriuje „VALO KEITIMAS“ pateiktų nurodymų.

## TECHNINĖ PRIEŽIŪRA

**⚠️ ĮSPĖJIMAS.** Atlikdami techninės priežiūros darbus, naudokite tik identiškas atsargines dalis. Įrenginį reguliariai apžiūrėkite ir tvarkykite. Norint užtikrinti saugų ir patikimą gaminio naudojimą visus remonto darbus turi atlikti kvalifikuotas techninės priežiūros specialistas.

**⚠️ ĮSPĖJIMAS.** Baterijų nereikia įjungti į elektros lizdą; jos visada yra darbinės būsenos. Norėdami išvengti rimtų sužalojimų, imkitės papildomų atsargumo priemonių ir būkite atidūs atlikdami techninę priežiūrą, aptarnavimą arba keisdami pjovimo įtaisą ar kitus priedus.

**⚠️ ĮSPĖJIMAS.** kad išvengtumėte rimto susižalojimo, prieš atlikdami techninę priežiūrą, valydami žoliapjovę, keisdami priedus arba valydami žolės likučius, iš įrenginio išimkite sudėtines baterijas.

## ĮRENGINIO VALYMAS

- Įrenginį valykite silpnu plovikliu suvilgyta šluoste.



- Nenaudokite jokių stiprių ploviklių plastikinių korpuso arba rankenos dalių valymui. Aromatinės alyvos (pušies arba citrinų kvapo) ir tirpikliai, pvz., žibalas, gali jas sugadinti. Drėgmė taip pat gali kelti elektros smūgio pavojų. Bet kokią drėgmę nuvalykite minkšta sausa šluoste.
- Naudokite mažą šepetėlį arba mažą dulkių siurblio šepetėlį, kad išvalytumėte variklio korpuso ventiliacines angas.

## TRANSMISIJOS REDUKTORIAUS TEPIMAS

Reduktorius korpuse sumontuotas perdavimo krumpļiaračiams būtina reguliariai tepti reduktorių tepalu. Tepalo lygį reduktoriaus korpuse tikrinkite maždaug kas 50 veikimo valandų, tai galite atlikti išsukdami korpuso šone esantį sandarinimo varžtą.

Jei ant krumpļiaračių šonų nesimato tepalo, atlikite toliau nurodytus veiksmus, kad pripildytumėte iki 3/4 tepalo talpos. Visiškai nepripildykite perdavimo reduktoriaus.

1. Padėkite žoliapjovės įtaisą ant šono, kad sandarinimo varžtas būtų nukreiptas į viršų (W pav.).
2. Universaliu veržliarakčiu atlaisvinkite ir išsukite sandarinimo varžtą.
3. Tepalo švirkštu (nepateikiamas) į varžto angą įšvirkškite tepalą. Neviršykite 3/4 talpos.
4. Baigę užveržkite sandarinimo varžtą.

## ĮRENGINIO SANDĖLIAVIMAS

- Kai žoliapjovės nenaudojate, išimkite iš jos akumuliatorių.
- Prieš sandėliavimą kruopščiai nuvalykite įrenginį.
- Įrenginį sandėliuokite sausoje, gerai vėdinamoje, rakinamoje patalpoje arba aukštai, vaikams nepasiekiamoje vietoje. Nelaikykite įrenginio ant arba šalia trąšų, benzino arba kitų chemikalų.

## Aplinkos apsauga



Neišmeskite elektros įrangos, akumuliatoriaus įkroviklio ir baterijų / akumuliatorių su buitinėmis atliekomis!

Pagal Europos Parlamento ir Tarybos direktyvas 2012/19/EB ir 2006/66/EB nenaudojama elektros bei elektronikos įranga ir nenaudojami arba sugedę akumuliatoriai ir (arba) baterijos turi būti surenkami atskirai.

Elektros prietaisus užkasus su atliekomis arba išmetus sąvartynuose, pavojingos medžiagos gali patekti į gruntinį vandenį ir į maisto grandinę, taip pakenkti jūsų sveikatai ir gerovei.

## TRIKČIŲ DIAGNOSTIKA IR JŲ ŠALINIMAS

PROBLEMA	PRIEŽASTIS	SPRENDIMAS
Žoliapjovės nepavyksta paleisti.	<ul style="list-style-type: none"> <li>■ Akumuliatorius neprijungta prie žoliapjovės.</li> <li>■ Nėra elektros kontakto tarp žoliapjovės ir akumuliatoriaus.</li> <li>■ Akumuliatorius yra visiškai išsikrovęs.</li> <li>■ Vienu kartu nenuspaustas blokuotės išjungiklis ir gaidukas.</li> </ul>	<ul style="list-style-type: none"> <li>■ Prijunkite akumuliatorių prie vejjapjovės.</li> <li>■ Išimkite akumuliatorių, patikrinkite kontaktus ir vėl jį įstatykite.</li> <li>■ Įkraukite akumuliatorių.</li> <li>■ Kad įjungtumėte žoliapjovę, paspauskite ir laikykite paspaudę blokuotės išjungiklį, tada paspauskite gaiduką.</li> </ul>
Žoliapjovė sustoja pjovimo metu.	<ul style="list-style-type: none"> <li>■ Nesumontuota žoliapjovės apsaugos priemonė, todėl per ilgą pjovimo valas perkrauna variklį.</li> <li>■ Naudojamas per tvirtas pjovimo valas.</li> <li>■ Ant variklio veleno arba žoliapjovės galvutės apsivyniojusi žolė.</li> <li>■ Perkrautas variklis.</li> <li>■ Akumuliatorius arba žoliapjovė yra per daug įkaitusi.</li> <li>■ Akumuliatorius yra atjungtas nuo įrankio.</li> <li>■ Akumuliatorius yra visiškai išsikrovęs.</li> </ul>	<ul style="list-style-type: none"> <li>■ Išimkite akumuliatorių ir sumontuokite žoliapjovės apsaugos priemonę.</li> <li>■ Naudokite rekomenduojamą pjovimo valą, kurio skersmuo ne didesnis kaip 2,4 mm.</li> <li>■ Sustabdykite žoliapjovę, išimkite akumuliatorių, tada pašalinkite žolę nuo variklio veleno arba žoliapjovės galvutės.</li> <li>■ Pašalinkite žolę nuo žoliapjovės galvutės. Kai tik bus pašalinta apkrova, variklis pradės veikti kaip įprasta. Pjaudami judinkite pjovimo galvutę link ir nuo pjaunamos žolės, bei vienu kartu nenuėjaukite daugiau kaip 20 cm.</li> <li>■ Leiskite akumuliatoriui arba žoliapjovei atvėsti, iki temperatūra nukris žemiau 67 °C.</li> <li>■ Vėl įstatykite akumuliatorių.</li> <li>■ Įkraukite akumuliatorių.</li> </ul>

PROBLEMA	PRIEŽASTIS	SPRENDIMAS
Žoliapjovės galvutė nepadauda pjovimo valo.	<ul style="list-style-type: none"> <li>■ Ant variklio veleno arba žoliapjovės galvutės apsvinijusi žolė.</li> <li>■ Ritėje nepakanka pjovimo valo.</li> <li>■ Purvina žoliapjovės galvutė.</li> <li>■ Valas susinarpliojo ritės laikikyje.</li> <li>■ Pjovimo valas per trumpas.</li> </ul>	<ul style="list-style-type: none"> <li>■ Sustabdykite žoliapjovę, išimkite akumuliatorių, tada nuvalykite variklio veleną arba žoliapjovės galvutę.</li> <li>■ Išimkite akumuliatorių ir pakeiskite pjovimo valą; vadovaukitės šio vadovo skyriumi „VALO KEITIMAS“.</li> <li>■ Išimkite akumuliatorių ir išvalykite žoliapjovės galvutę.</li> <li>■ Išimkite akumuliatorių, išimkite valą iš žoliapjovės galvutės ir iš naujo jį užvyniokite; vadovaukitės šio vadovo skyriumi „VALO KEITIMAS“.</li> <li>■ Išimkite akumuliatorių ir rankomis patraukite pjovimo valo galus į priešingas puses nuspausdami ir atleisdami žoliapjovės galvutę.</li> </ul>
Žolė apsvinijia aplink žoliapjovės galvutę ir variklio korpusą.	<ul style="list-style-type: none"> <li>■ Aukštą žolę pjaukite palei žemę.</li> </ul>	<ul style="list-style-type: none"> <li>■ Kad ant žoliapjovės galvutės neapsivyniotų žolė, aukštą žolę pjaukite iš viršaus į apačią, vienu kartu pjaudami ne daugiau kaip 20 cm.</li> </ul>
Žoliapjovės galvutės įtrūkimai arba apatinė gaubto dalis atsilaisvino nuo viršutinės gaubto dalies.	<ul style="list-style-type: none"> <li>■ Sudilo žoliapjovės galvutė.</li> </ul>	<ul style="list-style-type: none"> <li>■ Nedelsiant pakeiskite žoliapjovės galvutę; darbus turi atlikti kvalifikuotas techninės priežiūros specialistas.</li> </ul>

## GARANTIJA

### EGO GARANTINĖ POLITIKA

Norėdami sužinoti visas EGO garantinės politikos sąlygas, apsilankykite interneto svetainėje [egopowerplus.com](http://egopowerplus.com).

## IZLASIET VISUS NORĀDĪJUMUS!



IZLASIET LIETOTĀJA ROKASGRĀMATU

**⚠ Atlikušā sprieguma apdraudējums!** Cilvēkiem, kuri izmanto elektroniskas ierīces, piemēram, elektrokardiostimulatorus, pirms šīs ierīces lietošanas jāsasīnās ar savu ārstējošo ārstu. Elektroierīču darbība tuvu elektrokardiostimulatoram var izraisīt traucējumus vai tā atteici.

**⚠ BRĪDINĀJUMS.** Lai garantētu drošību un uzticamību, ierīces remontu un tās detaļu nomaiņu veikt drīkst tikai kvalificēts apkopes tehniķis.

## DROŠĪBAS APZĪMĒJUMI

Drošības apzīmējumu nolūks ir pievērst uzmanību iespējamem apdraudējumiem. Drošības apzīmējumiem un to skaidrojumiem jāpievērš īpaša uzmanība, un tie pilnībā jāizprot. Apzīmējumu brīdinājumi paši par sevi nenovērš apdraudējumu. Apzīmējumos iekļautie norādījumi un brīdinājumi neaizstāj atbilstošus darba drošības pasākumus.

**⚠ BRĪDINĀJUMS.** Pirms šī darbarīka lietošanas noteikti izlasiet un izprotiet visus šajā lietošanas rokasgrāmatā iekļautos norādījumus, tostarp visus drošības brīdinājumu apzīmējumus, piemēram, „**BĪSTAMI**”, „**BRĪDINĀJUMS**” un „**UZMANĪBU!**”. Neievērojot tālāk uzskaitītos norādījumus, var rasties elektrotrauma, aizdegšanās un/vai smaga trauma.

## APZĪMĒJUMA NOZĪME

**DROŠĪBAS BRĪDINĀJUMA APZĪMĒJUMS:** Atbilst norādei **BĪSTAMI**, **BRĪDINĀJUMS** vai **UZMANĪBU!** Var tikt izmantots kopā ar citiem apzīmējumiem un piktogramām.



**⚠ BRĪDINĀJUMS.** Mehānizēto darbarīku lietošanas laikā acis var iekļūt svešķermeņi, kas savukārt var radīt smagu acu traumu. Pirms mehānizētā darbarīka izmantošanas vienmēr uzlieciet aizsargbrilles vai aizsargbrilles ar sānu aizsargiem un pilnu sejas aizsargu (ja nepieciešams). Uz parastajām brillēm vai

standarta aizsargbrillēm ar sānu aizsargiem ieteicams uzlikt plata skata leņķa drošības masku

## DROŠĪBAS NORĀDĪJUMI

Šajā lappusē ir parādīti un aprakstīti drošības apzīmējumi, kas var atrasties uz izstrādājuma. Pirms ierīces salikšanas un lietošanas izlasiet, izprotiet un izpildiet visus norādījumus.

	Drošības brīdinājums	Norāda uz iespējamu miesas bojājumu risku.
	Izlasiet lietošanas rokasgrāmatu	Lai mazinātu traumu rašanās bīstamību, pirms šī produkta lietošanas tā lietotājam jāizlasa un jāizprot lietošanas rokasgrāmatā norādītā informācija.
	Izmantojiet acu aizsarglīdzekļus	Strādājot ar šo instrumentu, vienmēr izmantojiet dzirdes aizsarglīdzekļus.
	Izmantojiet dzirdes aizsarglīdzekļus	Strādājot ar šo instrumentu, vienmēr izmantojiet dzirdes aizsarglīdzekļus.
	Bez griezējamsens	Neuzstādiet metāla vai plastmasas griezējamus.
	Neļaujiet tuvoties nepiederošām personām	Lietojot auklas trimmeri, sekojiet, lai citi cilvēki un mājdzīvnieki atrastos vismaz 15 m attālumā no tā.
	Neļaujiet tuvoties nepiederošām personām	Lietojot auklas trimmeri, sekojiet, lai citi cilvēki un mājdzīvnieki atrastos vismaz 15 m attālumā no tā.
	Troksnis	Skaņas spiediena līmenis
	Aizsardzības klase	Aizsardzība pret ūdens šļakatām
V	Volti	Spriegums
mm	Milimetrs	Garums vai izmērs
cm	Centimetrs	Garums vai izmērs
	Līdzstrāva	Strāvas veids vai raksturojums

$n_0$	Ap- griez- ienu sk- aits bez sl- odzes	Rotācijas ātrums bez slodzes
min <sup>-1</sup>	Minūtē	Apgriezieni minūtē

## SVARĪGI DROŠĪBAS NORĀDĪJUMI

**⚠ BRĪDINĀJUMS!** Izmantojot elektriskos trimmerus, vienmēr veiciet pamata piesardzības pasākumus, lai mazinātu aizdegšanās, elektrotraumas, trauma rašanās draudus, un ievērojiet tālāk sniegtās norādes.

## IZLASIET VISUS NORĀDĪJUMUS

**⚠ BĪSTAMI!** Lai pasargātu sevi no elektriskās strāvas trieciena, nepaļaujieties tikai uz darbarīka izolāciju. Lai mazinātu nāvējoša elektriskās strāvas trieciena draudus, nekādā gadījumā nelietojiet instrumentu tādu vadu vai kabeļu tuvumā, kuros varētu plūst strāva.

**⚠ UZMANĪBU!** Lietojot ierīci, izmantojiet piemērotus dzirdes aizsarglīdzekļus. Dažos gadījumos un zināmā laika intervālā šī izstrādājuma radītais troksnis var izraisīt dzirdes zudumu.

## APMĀCĪBA

- Rūpīgi izlasiet visus norādījumus. Iepazīstieties ar izstrādājuma vadības elementiem un pareizu ierīces lietošanu.
- Nekādā gadījumā neļaujiet ierīci lietot cilvēkiem, kas nav iepazinušies ar šiem norādījumiem, kā arī bērniem. Vietējie noteikumi var ierobežot ierīces lietotāja vecumu.
- Ņemiet vērā, ka ierīces lietotājs vai operators ir atbildīgs par negadījumiem vai apdraudējumiem, kas var rasties citiem cilvēkiem vai īpašumam.

## SAGATAVOŠANĀS

- Nelietojiet ierīci, ja tuvumā ir cilvēki, it īpaši bērni vai mājdzīvnieki.
- Izmantojot ierīci, vienmēr lietojiet acu aizsarglīdzekļus un izturīgus apavus.
- Attālumam starp iekārtu un tuvumā esošām nepiederošām personām jābūt vismaz 15 m.
- Neizmantojiet metāla asmeņus.

## LIETOŠANA

- Lietojiet ierīci tikai dienas laikā vai labā mākslīgā apgaismojumā.
- Nekādā gadījumā neizmantojiet ierīci ar bojātiem aizsargiem vai pārsegumiem vai bez aizsargiem un pārsegumiem.
- Iedarbiniet motoru tikai tad, ja rokas un kājas neatrodas griezējelementu tuvumā.
- Vienmēr atvienojiet ierīci no barošanas avota (proti, atvienojiet ierīces barošanas kabeli no elektrotīkla vai noņemiet izslēgšanas ietaisi) šādos gadījumos:
  - atstājot ierīci bez uzraudzības;
  - pirms nosprostošanas tīrīšanas;
  - pirms ierīces pārbaudes, tīrīšanas vai apkopes;
  - pēc ierīces sadursmes ar svešķermeni;
  - ja ierīce sāk neparasti vibrēt.
- Nepieļaujiet traumai rašanos, kājām un rokām saskaroties ar griezējelementiem.
- Gādāiet, lai ventilācijas atveres nebūtu grūzu.

## APKOPE UN UZGLABĀŠANA

- Pirms ierīces apkopes vai tīrīšanas atvienojiet to no barošanas avota (proti, atvienojiet ierīces barošanas kabeli no elektrotīkla vai noņemiet izslēgšanas ietaisi).
- Izmantojiet tikai ražotāja ieteiktās rezerves daļas un piederumus.
- Regulāri pārbaudiet ierīci un veiciet tās apkopi. Uzticiet ierīces remontēšanu tikai pilnvarotam remonta tehnikam.
- Ja ierīci nelietojat, novietojiet to bērniem neaizsniedzamā vietā.

## CITI DROŠĪBAS BRĪDINĀJUMI

- Izvairieties no bīstamas vides. Nelietojiet trimmerus mitrās vietās.
- Ja atstājat auklas trimmeri bez uzraudzības, vienmēr izslēdziet to vai izņemiet akumulatora bloku.
- Nelietojiet liet.
- Neļaujiet tuvoties bērniem. Visiem cilvēkiem jāatrodas drošā attālumā no darba vietas.
- Gērbieties atbilstoši. Nevalkājiet vaļīgas drēbes un rotaslietas. Tās var tikt ierautas kustīgajās daļās. Strādājot ārpus telpām, ieteicams lietot gumijas cimdus un izturīgus apavus. Izmantojiet matu aizsargpasegu, lai saturētu garus matus.
- Lietojiet aizsargbrilles — strādājot ar mašīnu, vienmēr izmantojiet aizsargbrilles.

- Lietojiet pareizu darbarīku. Neizmantojiet darbarīku nolūkiem, kuriem tas nav paredzēts.
- Nelietojiet trimeri ar spēku. Darbu varēsiet veikt labāk un ar mazāku traumu rašanās iespējamību, ja lietosiet ierīci darbam paredzētajā tempā.
- Nestiepieties. Vienmēr stāviet stabili un sekojiet līdzsvaram.
- Esiet modrs. Skatieties, ko darāt. Esiet prātīgs. Nelietojiet trimeri, ja esat noguris.
- Nelietojiet trimeri, ja esat alkohola vai medikamentu iespaidā.
- Sekojiet, lai aizsargi atrastos paredzētajās vietās un būtu labā darba stāvoklī.
- Uzglabājiet trimerus telpās. Nelietojot trimeri, tas jāuzglabā telpā — sausā, augstā vai noslēdzamā vietā, pirms tam izņemot akumulatora bloku — bērniem neaizsniežamā vietā.
- Veiciet trimera apkopi rūpīgi. Lai panāktu labāko darbību un mazinātu traumu rašanās bīstamību, vienmēr turiet griešanas pierīci tīru. Ievērojiet piederumu maiņas norādījumus. Turiet rokturus sausus, tīrus, lai uz tiem nebūtu eļļas un smērvielu.
- Pārbaudiet bojātās daļas. Pirms trimera lietošanas rūpīgi jāpārbauda, vai bojātais aizsargs un citas daļas spēs darboties pareizi un veikt paredzēto uzdevumu. Pārbaudiet kustīgo daļu salāgojumu, daļu iespējamo saskari; pārbaudiet, vai daļas nav salūzušas, pārbaudiet stiprinājumus un jebkādu citu stāvokli, kas var ietekmēt trimera darbību. Bojāts aizsargs vai cita daļa pareizi jāsaņemontē vai jānomaina pilnvarotā apkopes centrā, ja vien šajā rokasgrāmatā nav norādīts citādi.
- Pirms trimera lietošanas atīriet apstrādājamo vietu. Savāciet akmeņus, stikla lauskas, naglas, vadus vai auklas, kas var tikt izsviestas vai iekļūt griešanas pierīcē. Raugieties, lai citi cilvēki un mājdzīvnieki atrastos vismaz 15 m attālumā.
- Pirms trimera lietošanas un pēc tā sadursmes ar svešķermeņiem pārbaudiet, vai nav nolietošanās vai bojājumu pazīmju, un, ja nepieciešams, veiciet remontu.
- Lietojot trimeri, vienmēr turiet to stingri, ar abām rokām satverot rokturus. Satveriet rokturus plaukstās.
- Izvairieties no nejaušas ieslēgšanas. Nepāmēsājiet trimeri, novietojot pirkstu uz pārslēdzēja.
- Nelietojiet trimeri sprādzienbīstamā vidē. Motori šādās ierīcēs parasti rada dzirksteles, kas savukārt var aizdedzināt izgarojumus.
- Trimeris bojājums. Ja trimēris saduras ar svešķermeņiem vai iesprūst, nekavējoties apturiet darbarīku, izņemiet akumulatora bloku, pārbaudiet, vai nav radušies bojājumi, novērsiet tos un tikai tad turpiniet ierīces izmantošanu. Nelietojiet trimeri, ja ir bojāts tā aizsargs vai spole.
- Ja trimēris sāk pārmērīgi vibrēt, izslēdziet motoru, izņemiet akumulatora bloku un nekavējoties noskaidrojiet vibrācijas iemeslu. Vibrācija parasti liecina par kļūmi. Nenostiprināta galva var vibrēt, ielaipās, salūzt vai atdalīties no trimera, radot smagu vai nāvējošu traumu. Pārīlecieties, ka griešanas pierīce ir nostiprināta pareizi. Ja ierīces galva pēc tās nostiprināšanas kļūst vaļīga, nekavējoties nomainiet to. Nekādā gadījumā nelietojiet trimeri ar vaļīgu griešanas pierīci.
- Nekavējoties nomainiet spraislājušu, bojātu vai nolietojušo griešanas galvu pat tad, ja konstatētas tikai nenozīmīgas plaisas. Šādas pierīces var salūzt, griezoties lielā ātrumā, un radīt smagu vai nāvējošu traumu.
- Trimeris lietošanas laikā regulāri pārbaudiet griešanas pierīci vai arī dariet to uzreiz, līdzko konstatējat būtiskas izmaiņas griešanas darbībā.
- Izmantojiet tikai EGO™ apstiprinātus polimēra trimera auklas piederumus un trimera auklu, kas paredzēta lietošanai kopā ar šiem darbarīkiem. Lai gan ir iespējams uzstādīt uz EGO™ auklas trimera neapstiprinātas pierīces, to izmantošana var būt ārkārtīgi bīstama un/vai sabojāt darbarīkus.
- Lai mazinātu traumu rašanās iespējamību, neilona griešanas auklas vietā nekādā gadījumā nelietojiet metāla vai cita materiāla vadu vai stiepli. Vada daļas var nolūzt un tikt izsviestas lielā ātrumā operatora vai tuvumā esošu cilvēku virzienā.
- Lai mazinātu traumu rašanās iespējamību vadības zuduma dēļ, nekādā gadījumā nestrādājiet, stāvot uz trepēm vai uz cita nedroša balsta. Nekad neturiet griešanas pierīci augstāk par ķermeņa vidukli.
- Gadījumos, kas nav aprakstīti šajā rokasgrāmatā, esiet uzmanīgs un rīkojieties prātīgi. Lai saņemtu palīdzību, sazinieties ar EGO apkopes centru.
- Neuzlādējiet akumulatora bloku lietū vai mitrās vietās.
- Izmantojiet tikai kopā ar EGO akumulatoriem un lādētājiem.

AKUMULATORU BLOKS	LĀDĒTĀJS
BA1120E, BA1400, BA2240E BA2800, BA3360, BA4200, BA1400T, BA2800T, BA4200T	CH2100E, CH5500E

- Pirms izmešanas akumulatora bloks jāizņem no ierīces.
- No akumulatora jāatbrivojas droši.
- Nemetiet akumulatoru ugunī. Akumulatora elementi var uzsprāgt. Lai iegūtu informāciju par pašiem utilizēšanas noteikumiem, sazinieties ar pašvaldības iestādi.
- Neatveriet un nebojāiet akumulatoru. Elektrolīts, kas izplūst, ir korozīvs un var radīt acu un ādas bojājumus. Norijot var būt toksisks.
- Rīkojieties ar akumulatoriem ļoti uzmanīgi, neveidojiet īsslēgumu ar materiāliem, kas vada elektrību, piemēram, gredzeniem, rokassprādzēm un atslēgām. Akumulators vai vads var pārkarst un radīt apdegumus.
- Veicot apkopi, izmantojiet tikai oriģinālās EGO™ rezerves daļas. Citu piederumu vai pierīču lietošana var palielināt traumu gūšanas iespējamību.
- Akumulatora darbarīkus nav nepieciešams pieslēgt elektroīklam, tādēļ tie vienmēr ir darbības stāvoklī. Pat, ja darbarīks nedarbojas, vienmēr sargieties no iespējama apdraudējuma. Veicot uzturēšanu vai apkopi, esiet piesardzīgs.
- Nemazgājiet ar šļūteni; nepieļaujiet ūdens iekļūšanu motorā un elektriskajos savienojumos.
- Saglabājiet šo norādījumus. Regulāri pārskatiet tos un lietojiet, lai iepazīstinātus citus lietotājus, kas arī var izmantot šo darbarīku. Ja kādam aizdodat šo darbarīku, pievienojiet arī šos norādījumus, lai nepieļautu nepareizu darbarīka izmantošanu un traumu rašanos.
- Lietojot trimeri, vienmēr valkājiet izturīgus apavus un garas bikses.
- Stabili stāviet uz nogāzēm; vienmēr ejiet, nekad nekrieniet.

## SAGLABĀJIET ŠOS NORĀDĪJUMUS!

## SPECIFIKĀCIJAS

Spriegums	56 V	
Ātrums bez slodzes	5000/6000 min <sup>-1</sup>	
Griešanas mehānisms	Piespiežamā galva	
Griešanas auklas veids	2,4 mm neilona griezējaukla	
Griešanas platums	38 cm	
Svars (bez akumulatora bloka)	4,21Kg	
Izmērītais skaņas jaudas līmenis L <sub>WA</sub>	94,3 dB(A) K=1,37 dB(A)	
Trokšņa spiediena līmenis pie lietotāja auss L <sub>PA</sub>	82,6 dB(A) K=3 dB(A)	
Garantētais skaņas intensitātes līmenis L <sub>WA</sub> (saskaņā ar Direktīvu Nr. 2000/14/EK)	96 dB(A)	
Vibrācija ah	Aizmugurējais rokturis	3,97 m/s <sup>2</sup> K=1,5 m/s <sup>2</sup>
	Priekšējais palīgrokturis	2,78 m/s <sup>2</sup> K=1,5 m/s <sup>2</sup>

## KOMPLEKTĀCIJA

DAĻAS NOSAUKUMS	SKAITS
Auklas trimmeris	1
Aizsargs	1
Priekšējā palīgroktura mezgls	1
Sešskaldņu uzgriežņu atslēga	1
Daudzfunkciju uzgriežņu atslēga	1
Plecu sikсна	1
Lietotāja rokasgrāmata	1

## APRAKSTS

### PĀRZINIET SAVU AUKLAS TRIMMERI (A att.)

1. Sliekšņvērtības gredzens
2. Ieslēgšanas slēdzis
3. Aizmugurējais rokturis
4. Gaisa ieplūde
5. Bloķēšanas pogā

6. Augsta/zema ātruma pārslēgšanas slēdzis
7. Plecu siksnas piekare
8. Regulējams priekšējais palīgrokturis
9. Plecu siksnas
10. Daudzfunkciju uzgriežņu atslēga
11. Sešskaldņu uzgriežņu atslēga
12. Trimmera galva (piespiežamā galva)
13. Griezējaukļa
14. Atlaišanas izcilnis
15. AuklaS griezējasmens
16. Aizsargs
17. Izsviešanas mehānisms
18. Elektriskie kontakti
19. Slēgmehānisms
20. Gumijas aizsargpolsterējums
21. Akumulatora atbrīvošanas poga

## MONTĀŽA

**⚠ BRĪDINĀJUMS.** Ja kāda daļa ir bojāta vai trūkst, nedarbiniet šo izstrādājumu, kamēr nav nomainīta bojātā daļa. Darbinot šo izstrādājumu ar bojātām vai trūkstošām daļām, varat gūt smagus miesas bojājumus.

**⚠ BRĪDINĀJUMS.** Nemēģiniet pārveidot šo izstrādājumu vai pievienot piederumus, kuru izmantošana šajā auklas trimmerī nav ieteicama. Jebkādi šādi uzlabojumi vai pārveidojumi uzskatāmi par neatbilstošu lietošanu un var radīt bīstamus apstākļus, kas var izraisīt smagus miesas bojājumus.

**⚠ BRĪDINĀJUMS.** Lai nepieļautu nejašu instrumenta ieslēgšanos (kas var radīt smagus traumas) to saliekot, vienmēr izņemiet no instrumenta akumulatoru bloku.

LV

### AIZSARGA MONTĀŽA

**⚠ BRĪDINĀJUMS.** Uzstādot vai nomainot aizsargu, vienmēr valkājiet cimdus. Sargieties no asmens, kas atrodas uz aizsarga, un aizsargājiet rokas pret sagrašanos.

**⚠ BRĪDINĀJUMS.** Nekādā gadījumā nelietojiet darbarīku, ja tam nav uzstādīts aizsargs. Aizsargam vienmēr jāatrodas uz darbarīka, lai aizsargātu lietotāju! Kad aizsargs ir piestiprināts, nekad nemēģiniet to noņemt vai regulēt; ja aizsargs ir jānomaina, nogādājiet to kvalificētam apkopes tehnikim!

1. No aizsarga izskrūvējiet un izņemiet abas skrūves (B att.).
2. Novietojiet aizsarga montāžas caurumus vienā līmenī ar caurumiem pamatnē, pēc tam nofiksējiet aizsargu kāta pamatnē, ieskrūvējot abas skrūves un abas atserpaplāksnes (C att.).

**PIEZĪME.** Pārliedziniet, vai aizsargs ir piestiprināts pareizi tā, kā norādīts B un C attēlos; nepareizi uzstādīts aizsargs ir ļoti bīstams!

### PIEKŠĒJĀ PALĪGROKTURA UZSTĀDĪŠANA UN REGULĒŠANA

1. Atskrūvējiet fiksācijas stieni priekšējā palīgrokturī un izņemiet fiksācijas stieni un spārmuzgriezni no priekšējā palīgroktura (D att.).

Zemāk norādīts D attēla detaļu apraksts:

D-1	fiksācijas stienis	D-3	stiprinājuma bloks
D-2	priekšējais palīgrokturis	D-4	spārmuzgrieznis

2. Uzlieciet priekšējo palīgrokturi uz vārpstas (E att.)
3. Ievietojiet stiprinājuma bloku roktura gropē (F att.)
4. Uzstādiat fiksācijas stieni un pievelciet ar spārmuzgriezni. Pārliedziniet, vai priekšējais palīgrokturis ir vērsts uz augšu un virzienā uz aizmugurējā roktura augšējo daļu (G att.).
5. Noregulējiet priekšējo palīgrokturi starp gredzenu un plāksnīti tā, lai roka, kura griešanas laikā atrodas priekšpusē, būtu izstiepta (H att.)
6. Bloķējiet fiksācijas stieņa sviru. (I att.)

**PIEZĪME.** Priekšējam palīgrokturim jābūt pagrieztam uz augšu tā, lai tas būtu vērsts iepretim aizmugurējā roktura augšējai daļai.

**⚠ BRĪDINĀJUMS.** Pielāgojiet priekšējo palīgrokturi tikai starp gredzenu un plāksnīti uz vārpstas.

**⚠ BRĪDINĀJUMS.** Neizmantojiet darbarīku bez piestiprināta priekšējā palīgroktura.

### PLECU SIKSNAS PIESTIPRINĀŠANA

Lai atvērtu siksnas āķi, nospiediet to un pieāķējiet pie plecu siksnas piekares (J att.).



## LIETOŠANA

**⚠ BRĪDINĀJUMS.** Saglabājiet modrību visu griezējinstrumenta lietošanas laiku. Neaizmirstiet, ka pat mīkrlis neuzmanības var izraisīt nopietnu traumu.

**⚠ BRĪDINĀJUMS.** Vienmēr kopā ar dzirdes aizsarglīdzekļiem valkājiet arī aizsargbrilles vai drošības brilles ar sānu aizsargiem. Pretējā gadījumā priekšmeti, ko izsviež griezējinstrumenti, var iekļūt acīs un radīt nopietnus savainojumus.

**⚠ BRĪDINĀJUMS.** Nelietojiet pierīces vai piederumus, ko nav ieteicis šī produkta ražotājs. Šādu neapstiprinātu pierīču vai piederumu lietošana var radīt nopietnus ievainojumus.

**⚠ BRĪDINĀJUMS.** Lai izvairītos no smagām traumām, pirms trimmera apkopes, tīrīšanas, papildierīču nomaiņas vai nogriezītā materiāla izņemšanas izņemiet no tā akumulatoru bloku.

Šo produktu var lietot tālāk norādītajiem mērķiem:

**Apgrīšana:** izmantojiet zāles un nezāļu apgrīšanai gar sienām, žogiem, kokiem un apmalēm.

**Griešana:** lietojiet zāles nogriešanai vietās, kur ir grūti piekļūt ar parastu zāles pļāvēju jeb pļaujmašīnu.

**PIEZĪME.** Instrumentu drīkst izmantot tikai aprakstītajam mērķim. Citu veidu lietošana, piemēram, dzīvžogu apgrīšana, ir uzskatāma par nepareizu lietošanu.

## AKUMULATORU BLOKA IEVIETOŠANA/IZŅEMŠANA

**Pirms pirmās lietošanas reizes uzlādējiet akumulatoru pilnībā**

### ievietošana

Salāgojiet akumulatora izcīlnus ar stiprinājuma rievām un iespiediet akumulatoru bloku, līdz ir dzirdama „klikšķa” skaņa (K att.).

### izņemšana

Nospiediet akumulatora atbrīvošanas pogu un izvelciet akumulatoru bloku tā, kā tas parādīts L attēlā.

L attēla detaļu aprakstu skatīt zemāk:

L-1	Akumulatora atbrīvošanas poga
-----	-------------------------------

## AUKLAS TRIMMERA TURĒŠANA

**⚠ BRĪDINĀJUMS.** Čērbieties atbilstīgi, lai mazinātu traumu rašanās draudus, lietojot šo instrumentu. Nevalkājiet vaļīgu apģērbu vai rotaslietas. Izmantojiet acu un dzirdes aizsarglīdzekļus. Valkājiet izturīgas, garas bikses, apavus un cimdus. Nevalkājiet īsās bikses, sandales; netaigājiet basām kājām.

Pirms darba uzsākšanas nostāieties darba pozīcijā, uzvelciet acu aizsargus, atbilstošu apģērbu, ieņemiet līdzsvarotu ķermeņa stāju un iztaisojiet roku, ar kuru turat priekšējo palīgrokturi.

**PIEZĪME.** Trimmera galvai ir jāatrodas paralēli zemes virsmai atbilstošā griešanas augstumā un operatora augums nedrīkst būt saliekts (N att.)

Lai lietošana būtu drošāka un labāka, uzvelciet plecu siksnu pāri plecam, kā tas parādīts N attēlā. Noregulējiet plecu siksnu ērtā darba stāvoklī. Turiet auklas trimmeri ar abām rokām: vienai rokai jāatrodas uz aizmugurējā roktura un otrai rokai — uz priekšējā palīgroktura.

Siksnu var noņemt divos veidos. Noņemiet nost no pleca (O att.) vai nospiediet siksnas āķi un nodaliet no cauruļu skavas, kas nostiprināta uz vārpstas (P att.).

**⚠ BRĪDINĀJUMS.** Plecu siksnai ir arī atbilstošs atbrīvošanas mehānisms bīstamām situācijām. Avārijas situācijas gadījumā nekavējoties noņemiet siksnu no pleca neatkarīgi no tā, kādā pozīcijā tā atrodas.

## AUKLAS TRIMMERA IEDARBINĀŠANA/ APTURĒŠANA (M att.)

### ieslēgšana

Nospiediet atbloķēšanas sviru un pēc tam nospiediet iedarbināšanas slēdzi. Griezējauklas rotācijas ātrums ir atkarīgs no spēka, ar kādu tiek nospiests iedarbināšanas slēdzis. Jo lielāks spiediens, jo lielāks rotācijas ātrums.

### Apturēšana

Atlaidiet slēdzi.

**PIEZĪME.** Motors darbojas tikai tad, ja vienlaicīgi ir nospiesta atbloķēšanas poga un iedarbināšanas slēdzis.

**⚠ BRĪDINĀJUMS.** Darba pārtraukumos un pēc darba pabeigšanas vienmēr izņemiet akumulatoru bloku no auklas trimmera.

## Ātruma regulēšanas funkcija (M att.)

Auklas trimmerim ir divi ātrumi. 1. pozīcija ir zems ātrums, bet 2. pozīcija — liels ātrums. Lai darbības laikā izvēlētos piemērotu ātrumu, nospiediet vai atvelciet augsta/zema ātruma pārslēgšanas slēdzi.

M att. detaļu aprakstu skatīt zemāk:

M-1	Augsta/zema ātruma pārslēgšanas slēdzis
M-2	Bloķēšanas poga
M-3	Slēdzis

## AUKLAS TRIMMERA LIETOŠANA

**⚠ BRĪDINĀJUMS.** Lai nepieļautu smagas traumas rašanos lietojot šo ierīci, vienmēr izmantojiet brilles vai aizsargbrilles. Putekļainā vidē lietojiet sejas vai putekļu masku.

Pirms trimera lietošanas attīriet apstrādājamo vietu. Savāciet akmeņus, stikla lauskas, naglas, vadus vai auklas, kas var tikt izsviestas vai iekļūt griešanas pierīcē. Nepieļaujiet bērnu, citu personu un mājdzīvnieku atrašanos darba vietā. Sekojiet, lai bērni, citas personas un mājdzīvnieki atrastos vismaz 15 m attālumā; vēl arvien pastāv apdraudējums, ko rada izsviesti objekti. Sekojiet, lai apkārtējie izmantotu acu aizsarglīdzekļus. Ja strādājot kāds jums tuvojas, nekavējoties apturiet motoru un griešanas pierīci.

### Pirms katras trimera lietošanas reizes pārbaudiet, vai nav bojātu un nodilušu daļu

Pārbaudiet ierīces piespiežamo galvu, aizsargu un priekšējo rokturi un nomainiet detaļas, ja tās ir saplaisājušas, savijušās, salocījušās vai bojātas.

Ar laiku auklas griešanas asmens uz aizsarga var kļūt truls. Ieteicams periodiski asināt asmeni ar vīli vai nomainīt to.

**⚠ BRĪDINĀJUMS.** Uzstādot aizsargu vai nomainot asmeni, vienmēr valkājiet cimdus. Sargieties no asmens, kas atrodas uz aizsarga, un aizsargājiet rokas pret sagriešanu.

### Pēc katras trimmera lietošanas noīriet to.

**⚠ UZMANĪBU.** Ja ventilācijas atveres būs aizsērējušas, gaiss nevarēs iekļūt motora korpusā un motors pārkarstīs vai tiks sabojāts.

■ Darbarīka tīrīšanai izmantojiet tikai vieglu ziepjūdeni un mitru lupatiņu. Nekādā gadījumā nepieļaujiet šķīdruma iekļūšanu darbarīkā; nekad neiegremdējiet šķīdrumā nevienu no darbarīka daļām.

■ Turiet motora korpusa atveres tīras no gružiem.

**⚠ BRĪDINĀJUMS.** Nekad neizmantojiet ūdeni, lai notīrītu trimmeri. Tīrot plastikāta detaļas, neizmantojiet šķīdinātājus. Tirdzniecībā iegādājamie šķīdinātāji bojā lielāko daļu plastmasas materiālu. Lai notīrītu nefturmus, putekļus, eļļu, smērvielas u.c., izmantojiet tīras lupatiņas.

## TRIMMERA AUKLAS GARUMA REGULĒŠANA

Ar trimmera galvas palīdzību operators var izbīdīt vairāk griešanas auklas, neapsturot motoru. Ja aukla sadilst vai nolietojas, tad, nedaudz piesitot trimmera galvu pret zemi trimmera lietošanas laikā, var izbīdīt jaunu auklas garumu (Q att.).

**PIEZĪME.** Trimmera auklai paliekot īsākai, aukla tiek padota grūtāk.

**⚠ BRĪDINĀJUMS.** Nenoveļojiet un nepārveidojiet auklas griešanas asmens mezglu. Pārmērīgi gara aukla izraisīs motora pārkaršanu, un var rasties smagi miesas bojājumi.

## AUKLAS NOMAINĀ

**PIEZĪME.** Vienmēr lietojiet ieteikto neilona griešanas auklu, kuras diametrs nepārsniedz 2,4 mm. Cita veida auklas izmantošana var izraisīt auklas trimmera pārkaršanu vai var to sabojāt.

**⚠ BRĪDINĀJUMS.** Nekad neizmantojiet auklu ar metāla pastiprinājumiem, stiepli, virvi u.tml. Šāda veida auklas var salūst un kļūt par bīstamiem, lielā ātrumā izsviestiem objektiem.

1. Izņemiet akumulatoru bloku.
2. Nepieciešamības gadījumā izņemiet atlikušo griezējaukulas daļu.
3. Nogrieziet 4m griezējaukulas un ievielciet auklu montāžas caurumā actiņas iekšpusē (R att.). Iespiediet un izvelciet auklu no otras puses, līdz spolei abās pusēs var redzēt vienāda garuma auklu.
4. Lai uzlītu auklu uz spoles, piespiediet, vienlaikus griežot spoles apakšējo daļu bultiņas virzienā, līdz katrā pusē var redzēt aptuveni 14 cm auklas (S att.).
5. Vienlaikus velkot auklu, nospiediet spoles apakšējo daļu, lai ar rokām izvilkto auklu un, lai pārbaudītu, vai trimmera galva ir pareizi uzstādīta.

Ja griešanas aukla pārtrūkst pie auklas izejas vai griešanas aukla netiek padota, piesitot ar trimmera galvu, izpildiet tālāk norādītās darbības:

1. Nospiediet atlaišanas izcīņus uz spoles augšējās daļas un noņemiet spoles apakšējo daļu, izvelkot to uz āru (T un U att.).
2. Izņemiet griezējauklu no spoles.
3. Ar vienu roku pieturiet spoles apakšējo daļu un ar otru roku satveriet spoles apakšējo daļu un salāgojiet spoles augšējās daļas izcīņus ar spoles apakšējās daļas caurumiem (V att.); ar plaukstu piespiediet un pagrieziet spoles apakšējo daļu, līdz izcīņi nofiksējas spoles augšējā daļā.
4. Lai nomainītu griešanas auklu, sekojiet norādījumiem sadaļā „AUKLAS NOMAIŅA”.

## APKOPE

**⚠ BRĪDINĀJUMS.** Veicot apkopi, izmantojiet tikai identiskas nomaīņas daļas. Regulāri pārbaudiet ierīci un veiciet tās apkopi. Lai garantētu drošību un uzticamību, ierīci drīkst remontēt tikai kvalificēts apkopes tehniķis.

**⚠ BRĪDINĀJUMS.** Akumulatora darbarīkus nav nepieciešams pieslēgt elektrotīklam, tādēļ tie vienmēr ir darbības stāvoklī. Lai nepieļautu smagas traumas, uzturēšanas, apkopes vai griešanas pierīci vai citu piederumu maiņas laikā, veiciet papildu piesardzības pasākumus un esiet uzmanīgs.

**⚠ BRĪDINĀJUMS.** Lai nepieļautu smagas traumas, pirms trimera apkopes, tīrīšanas, papildpierīču maiņas vai zāles izņemšanas izņemiet akumulatora bloku.

## IERĪCES TĪRĪŠANA

- Tīriet ierīci ar mitru drānu un maigu mazgāšanas līdzekli.
- Netīriet plastmasas korpusu un rotoru ar kodīgiem tīrīšanas līdzekļiem. Plastmasas daļas var sabojāt ar zināmām aromatizētām eļļām, piemēram, priežu un citrona, un šķīdinātājiem, piemēram, petroleju. Elektrotraumu var radīt arī mitrums. Kārtīgi noslaukiet mitrumu ar mikstu, tīru drānu.
- Ventilācijas atveru tīrīšanai korpusa aizmugurē izmantojiet nelielu suku vai nelielu putekļsūcēja suku ar gaisa izplūdi.

## REDUKTORU EĻĻOŠANA

Reduktorus pārnesumkārbā ir periodiski jāieeļļo ar reduktoru smērvielu. Pārbaudiet pārnesumkārbā smērvielas līmeni ik pēc 50 darba stundām, noņemot kārbas pusē esošo blīvējuma skrūvi.

Ja uz reduktora malām nav redzama smērviela, tad, lai uzpildītu reduktoru smērvielu līdz 3/4 ietilpības, izpildiet tālāk redzamās darbības. Neiepildiet smērvielu reduktoros līdz augšai.

1. Pagrieziet auklas trimmeri uz sāniem tā, lai blīvējuma skrūve būtu vērsta virzienā uz augšu (W att.).
2. Atskrūvēšanai izmantojiet komplektācijā iekļauto daudzfunkciju uzgriežņu atslēgu un izņemiet blīvējuma skrūvi.
3. Izmantojiet smērvielas šļirci (komplektācijā nav iekļauta), lai papildītu smērvielu caur skrūves atveri; nepārsniedzot 3/4 ietilpības.
4. Pēc iepildīšanas aizskrūvējiet blīvējuma skrūvi.

## INSTRUMENTA UZGLABĀŠANA

- Ja auklas trimmeri neizmantojat, izņemiet no tā akumulatoru bloku.
- Pirms uzglabāšanas kārtīgi notīriet darbarīku.
- Uzglabājiet ierīci sausā, labi vēdināmā, aizslēdzamā vai augstā — bērniem nepieejamā — vietā. Neuzglabājiet ierīci blakus mēslojumam, degvielai vai citām ķīmikālijām.

## Vides aizsardzība



Neizmetiet elektroierīces, akumulatora lādētājus un baterijas/uzlādējamus akumulatorus mājaisaimniecības atkritumos!

Saskaņā ar Eiropas likumu 2012/19/ES, un 2006/66/EK nolietotais elektriskais un elektroniskais aprīkojums, bojāti vai lietoti akumulatora bloki/baterijas jāsavāc atsevišķi.

Ja elektroierīces tiek izmestas atkritumu poligonos vai izgāztuvēs, gruntsūdenī var iekļūt bīstamas vielas, piesārņojot barības ķēdi, kaitējot veselībai un labsajūtai. adot kaitējumu jūsu veselībai un labsajūtai.

## PROBLĒMU NOVĒRŠANA

PROBLĒMA	CĒĻONIS	RISINĀJUMS
Auklas trimmeris neieslēdzas.	<ul style="list-style-type: none"> <li>■ Trimmerī nav uzstādīts akumulatoru bloks.</li> <li>■ Starp trimmeri un akumulatoru nav elektriskā savienojuma.</li> <li>■ Akumulatoru bloks ir izlādējies.</li> <li>■ Vienlaikus nav nospiesta bloķēšanas poga un pārslēdzējs.</li> </ul>	<ul style="list-style-type: none"> <li>■ Uzstādi trimmeri akumulatoru bloku.</li> <li>■ Izņemiet akumulatoru, pārbaudiet kontaktus un ievietojiet atpakaļ.</li> <li>■ Uzlādējiet akumulatoru bloku.</li> <li>■ Nospiediet bloķēšanas pogu un turiet to, tad nospiediet pārslēdzēju, lai ieslēgtu auklas trimmeri.</li> </ul>
Auklas trimmeris apstājas griešanas laikā.	<ul style="list-style-type: none"> <li>■ Uz trimmera nav uzstādīts aizsargs, kā rezultātā griešanas aukla ir par garu un rodas motora pārslodze.</li> <li>■ Izmantota smaga griezējaukla.</li> <li>■ Motora vārpstu vai trimmera galvu nosprostojusi zāle.</li> <li>■ Motora pārslodze.</li> <li>■ Akumulatoru bloks vai dzīvzogu trimmeris ir pārkaris.</li> <li>■ Akumulatoru bloks ir atvienots no darbarīka.</li> <li>■ Akumulatoru bloks ir izlādējies.</li> </ul>	<ul style="list-style-type: none"> <li>■ Izņemiet akumulatoru bloku un uzstādi trimmerim aizsargu.</li> <li>■ Izmantojiet ieteikto neilona griešanas auklu, kuras diametrs nepārsniedz 2,4 mm.</li> <li>■ Apturiet trimmeri, izņemiet akumulatoru un iztīriet zāli no motora vārpstas un trimmera galvas.</li> <li>■ Paceliet trimera galvu no zāles. Pēc slodzes noņemšanas motors atsāks darboties, kā paredzēts. Griežot ievirziet trimera galvu griežamajā zālē, ņemot ne vairāk par 20cm garuma vienā griezumā.</li> <li>■ Ļaujiet akumulatoru blokam vai trimmerim atdzist, līdz temperatūra nokrītas zem 67 °C.</li> <li>■ Ielieciet atpakaļ akumulatoru bloku.</li> <li>■ Uzlādējiet akumulatoru bloku.</li> </ul>

PROBLĒMA	CĒLONIS	RISINĀJUMS
Trimmera galva nepadod auklu.	<ul style="list-style-type: none"> <li>■ Motora vārpstu vai trimmera galvu nosprostojusi zāle.</li> <li>■ Spolē nepietiek auklas.</li> <li>■ Trimmera galva ir netīra.</li> <li>■ Spolē savijusies aukla.</li> <li>■ Aukla ir par īsu.</li> </ul>	<ul style="list-style-type: none"> <li>■ Apturiet trimmeri, izņemiet akumulatoru un iztīriet zāli motora vārpstu un trimmera galvu.</li> <li>■ Izņemiet akumulatoru un nomainiet griešanas auklu; skatiet šīs rokasgrāmatas nodaļu „AUKLAS MAIŅA”.</li> <li>■ Izņemiet akumulatoru un iztīriet trimmera galvu.</li> <li>■ Izņemiet akumulatoru, izņemiet no trimmera galvas auklu un uztiniet no jauna; skatiet šīs rokasgrāmatas sadaļu „GRIEZĒJAUKLAS UZTĪŠANA”.</li> <li>■ Izņemiet akumulatoru un ar rokām velciet auklas, vienlaikus nospiežot un atlaižot trimmera galvu.</li> </ul>
Ap trimmera galvu un motora korpusu ir aptinusies zāle.	<ul style="list-style-type: none"> <li>■ Garas zāles griešana zemes līmenī.</li> </ul>	<ul style="list-style-type: none"> <li>■ Griežiet garu zāli no augšas uz leju, katrreizi vienā gājienā nogriežot pa 20cm, lai nepieļautu zāles aptīšanos.</li> </ul>
Plaisas uz trimmera galvas vai apakšējā daļā atskrūvējusies no spoles augšējās daļas.	<ul style="list-style-type: none"> <li>■ Trimmera galva ir nodilusi.</li> </ul>	<ul style="list-style-type: none"> <li>■ Nekavējoties nomainiet trimmera galvu, nogādājot to kvalificētam servisa tehnikim.</li> </ul>

## GARANTIJA

### EGO GARANTIJAS POLITIKA

Lūdzu, apmeklējiet tīmekļa vietni [egopowerplus.com](http://egopowerplus.com), kur pieejama pilna EGO garantijas politikas noteikumu un nosacījumu versija.

## ΔΙΑΒΑΣΤΕ ΟΛΕΣ ΤΙΣ ΟΔΗΓΙΕΣ!



ΔΙΑΒΑΣΤΕ ΤΟ ΕΓΧΕΙΡΙΔΙΟ ΧΡΗΣΗΣ

**⚠ Υπολειπόμενοι κίνδυνοι!** Άνθρωποι που φέρουν ηλεκτρονικές συσκευές όπως βηματοδότες πρέπει να συμβουλευτούνται τους γιατρούς τους πριν τη χρήση αυτού του προϊόντος. Η λειτουργία ηλεκτρικών εξοπλισμών κοντά σε βηματοδότη μπορεί να προκαλέσει παρεμβολές ή βλάβη στον βηματοδότη.

**⚠ ΠΡΟΕΙΔΟΠΟΙΗΣΗ:** Για να διασφαλίσετε την ασφάλεια και την αξιοπιστία, όλες οι επισκευές πρέπει να διεξάγονται από εξειδικευμένο τεχνικό του σέρβις.

## ΣΥΜΒΟΛΑ ΑΣΦΑΛΕΙΑΣ

Ο σκοπός των συμβόλων ασφαλείας είναι να σας τραβήξουν την προσοχή για ενδεχόμενους κινδύνους. Προσέξτε και κατανοήστε τα σύμβολα ασφαλείας και τις επεξηγήσεις που τα συνοδεύουν. Οι προειδοποιήσεις συμβόλων από μόνες τους δεν εξαλείφουν κανέναν κίνδυνο. Οι οδηγίες και οι προειδοποιήσεις που παρέχουν δεν υποκαθιστούν τα μέτρα σωστής πρόληψης ατυχημάτων.

**⚠ ΠΡΟΕΙΔΟΠΟΙΗΣΗ:** Βεβαιωθείτε ότι έχετε διαβάσει και κατανοήσει όλες τις οδηγίες ασφαλείας στο παρόν Εγχειρίδιο χειριστή, συμπεριλαμβανομένων όλων των συμβόλων ασφαλείας όπως «**ΚΙΝΔΥΝΟΣ**», «**ΠΡΟΕΙΔΟΠΟΙΗΣΗ**» και «**ΠΡΟΣΟΧΗ**», προτού χρησιμοποιήσετε αυτό το εργαλείο. Η μη τήρηση όλων των παρακάτω οδηγιών μπορεί να οδηγήσει σε ηλεκτροπληξία, πυρκαγιά ή/και σοβαρό ατομικό τραυματισμό.

## ΣΗΜΑΣΙΑ ΣΥΜΒΟΛΩΝ

**ΣΥΜΒΟΛΟ ΕΙΔΟΠΟΙΗΣΗΣ ΑΣΦΑΛΕΙΑΣ:** Υποδηλώνει **ΚΙΝΔΥΝΟ**, **ΠΡΟΕΙΔΟΠΟΙΗΣΗ** ή **ΠΡΟΣΟΧΗ**. Μπορεί να χρησιμοποιείται σε συνδυασμό με άλλα σύμβολα ή εικονογράμματα.

GR



**⚠ ΠΡΟΕΙΔΟΠΟΙΗΣΗ:** Η λειτουργία ηλεκτρικών εργαλείων μπορεί να επιφέρει εκτόξευση ξένων αντικειμένων στα μάτια σας, με αποτέλεσμα σοβαρή βλάβη σε αυτά. Προτού ξεκινήσετε τη λειτουργία του ηλεκτρικού εργαλείου φοράτε πάντα προστατευτικά γυαλιά ή γυαλιά με πλευρική προστασία και εφόσον απαιτείται πλήρη προστατευτική προσωπίδα. Συστήνουμε μια προσωπίδα ασφαλείας ευρείας όρασης για χρήση πάνω από γυαλιά ή συνήθη προστατευτικά γυαλιά με πλευρική προστασία.

## ΟΔΗΓΙΕΣ ΑΣΦΑΛΕΙΑΣ

Αυτή η σελίδα απεικονίζει και περιγράφει τα σύμβολα ασφαλείας που υπάρχουν ενδεχομένως σε αυτό το προϊόν. Διαβάστε, κατανοείτε και ακολουθείτε όλες τις οδηγίες στη μηχανή προτού προσπαθήσετε να διεξάγετε εργασίες συναρμολόγησης και λειτουργίας.

	Ειδοποίηση ασφαλείας	Υποδηλώνει ενδεχόμενο κίνδυνο ατομικού τραυματισμού.
	Διαβάστε το εγχειρίδιο χρήσης	Προκειμένου να μειωθεί ο κίνδυνος τραυματισμού, ο χρήστης πρέπει να διαβάσει και να κατανοήσει το εγχειρίδιο χρήσης προτού χρησιμοποιήσει αυτό το προϊόν.
	Φοράτε προστατευτικά γυαλιά	Φοράτε πάντα προστασία ακοής όταν χρησιμοποιείτε αυτό το προϊόν.
	Φοράτε προστατευτικά ακοής	Φοράτε πάντα προστασία ακοής όταν χρησιμοποιείτε αυτό το προϊόν.
	Χωρίς λεπίδα κοπής	Μην εγκαθιστάτε μεταλλικές ή πλαστικές λεπίδες κοπής
	Διατηρείτε μακριά τους παρευρισκόμενους	Εξασφαλίστε ότι άλλα άτομα ή κατοικίδια παραμένουν τουλάχιστον 15 μ. μακριά από το χλοοκοπτικό με νήμα όταν αυτό χρησιμοποιείται.

	Διατηρείτε μακριά τους παρευρισκομένους	Εξασφαλίσετε ότι άλλα άτομα ή κατοικίδια παραμένουν τουλάχιστον 15 μ. μακριά από το χλοοκοπτικό με νήμα όταν αυτό χρησιμοποιείται.
	Θόρυβος	Επίπεδο πίεσης ήχου
	Βαθμός προστασίας διείσδυσης	Προστασία από την εκτόξευση νερού
V	Volt	Τάση
mm	Χιλιοστό	Μήκος ή μέγεθος
cm	Εκατοστό	Μήκος ή μέγεθος
	Συνεχές ρεύμα	Τύπος ή χαρακτηριστικό του ρεύματος
n <sub>0</sub>	Ταχύτητα χωρίς φορτίο	Ταχύτητα περιστροφής, χωρίς φορτίο
min <sup>-1</sup>	Ανά λεπτό	Στροφές ανά λεπτό

- Ποτέ μην επιτρέπεται σε παιδιά, άτομα με μειωμένες φυσικές, αισθητηριακές ή νοητικές δυνατότητες ή με έλλειψη εμπειρίας και γνώσεων ή σε άτομα μη εξοικειωμένα με αυτές τις οδηγίες, να χρησιμοποιούν το μηχάνημα.
- Έχετε υπόψη σας ότι ο χειριστής ή ο χρήστης είναι αποκλειστικά υπεύθυνος για ατυχήματα ή κινδύνους που προκύψουν προς άλλα άτομα ή την περιοχή τους.

## ΠΡΟΕΤΟΙΜΑΣΙΑ

- Μη χρησιμοποιείτε ποτέ τη συσκευή όταν βρίσκονται κοντά άτομα, ιδίως παιδιά ή κατοικίδια.
- Χρησιμοποιείτε προστατευτικά για τα μάτια και ανθεκτικά υποδήματα συνεχώς όταν χρησιμοποιείτε το μηχάνημα.
- Η απόσταση μεταξύ του μηχανήματος και των παριστάμενων πρέπει να είναι τουλάχιστο 15 μ.
- Μη χρησιμοποιείτε μεταλλικές λεπίδες

## ΛΕΙΤΟΥΡΓΙΑ

- Χρησιμοποιείτε το μηχάνημα μόνο με το φως της ημέρας ή με καλό τεχνητό φως.
- Μη χρησιμοποιείτε ποτέ το μηχάνημα αν τα προστατευτικά εξαρτήματα ή οι θωρακίσεις είναι χαλασμένα ή αν δεν βρίσκονται στη θέση τους.
- Ενεργοποιείτε τον κινητήρα μόνο όταν τα χέρια και τα πόδια σας βρίσκονται μακριά από τα κοπτικά εξαρτήματα.
- Αποσυνδέετε πάντα το μηχάνημα από την τροφοδοσία ισχύος (δηλαδή απομακρύνετε το βύσμα από το ρεύμα ή αφαιρέστε τη συσκευή απενεργοποίησης).
  - Όποτε αφήνετε το μηχάνημα ανεπιτήρητο,
  - Πριν καθαρίσετε ένα μπλοκάρισμα,
  - Πριν κάνετε έλεγχο, καθαρισμό ή άλλη εργασία πάνω στο μηχάνημα,
  - Σε περίπτωση που χτυπήσετε σε ξένο αντικείμενο.
  - Αν το μηχάνημα αρχίζει να δονείται αφύσικα.
- Προσέχετε να μην τραυματιστείτε στα πόδια και χέρια από τα κοπτικά εξαρτήματα.
- Φροντίστε τα ανοίγματα εξερισμού να είναι πάντα καθαρά, χωρίς σκουπίδια.

## ΣΗΜΑΝΤΙΚΕΣ ΟΔΗΓΙΕΣ ΑΣΦΑΛΕΙΑΣ

**⚠ ΠΡΟΕΙΔΟΠΟΙΗΣΗ!** Όταν χρησιμοποιείτε ηλεκτρικά χλοοκοπτικά θα πρέπει να τηρείτε τις βασικές προφυλάξεις ασφάλειας, έτσι ώστε να ελαχιστοποιηθεί ο κίνδυνος πυρκαγιάς, ηλεκτροπληξίας και σωματικών βλαβών, συμπεριλαμβανομένων και των ακόλουθων:

### ΔΙΑΒΑΣΤΕ ΟΛΕΣ ΤΙΣ ΟΔΗΓΙΕΣ

**⚠ ΚΙΝΔΥΝΟΣ!** Μην επαναπαύεστε στη μόνωση του εργαλείου έναντι ηλεκτροπληξίας. Για τη μείωση κινδύνου ηλεκτροπληξίας ποτέ να μη χειρίζεστε το εργαλείο κοντά σε σύρματα ή καλώδια τα οποία μπορεί να φέρουν ηλεκτρικό ρεύμα.

**⚠ ΠΡΟΦΥΛΑΞΗ:** Φοράτε κατάλληλη ατομική προστασία ακοής κατά τη χρήση. Υπό ορισμένες συνθήκες και χρονικές διάρκειες χρήσης, ο θόρυβος από αυτό το προϊόν μπορεί να συνεισφέρει σε απώλεια της ακοής.

## ΕΚΠΑΙΔΕΥΣΗ

- Διαβάστε με προσοχή όλες τις οδηγίες. Εξοικειωθείτε με τα χειριστήρια και τη σωστή χρήση του μηχανήματος.

## ΣΥΝΤΗΡΗΣΗ ΚΑΙ ΑΠΟΘΗΚΕΥΣΗ

- Αποσυνδέστε το μηχάνημα από την τροφοδοσία ισχύος (δηλαδή απομακρύνετε το βύσμα από το ρεύμα ή αφαιρέστε τη συσκευή απενεργοποίησης) προτού διεξαγάτε εργασίες συντήρησης ή καθαρισμού.

- Χρησιμοποιείτε μόνο τα ανταλλακτικά και αξεσουάρ που συνιστώνται από τον κατασκευαστή.
- Ελέγχετε και συντηρείτε τακτικά το μηχάνημα. Οι επισκευές του μηχανήματος πρέπει πάντα να πραγματοποιούνται από ένα εξουσιοδοτημένο κέντρο επισκευής.
- Όταν δεν χρησιμοποιείτε το μηχάνημα, αποθηκεύτέ το σε μέρος όπου δεν πλησιάζουν παιδιά.
- Συντηρείτε το χλοοκοπτικό με φροντίδα – Διατηρείτε το προσάρτημα κοπής καθαρό για εξαιρετική απόδοση και για μείωση τραυματισμών. Ακολουθείτε τις οδηγίες σχετικά με την αλλαγή αξεσουάρ. Διατηρείτε τις λαβές στεγνές, καθαρές και απομακρύνετε από αυτές τυχόν λάδια και γράσο.
- Ελέγχετε τα φθαρμένα εξαρτήματα – Πριν χρησιμοποιήσετε περαιτέρω το χλοοκοπτικό, πρέπει να ελέγχετε προσεκτικά τα προστατευτικά ή άλλα εξαρτήματα για ενδείξεις βλάβης για να προσδιορίσετε αν θα λειτουργήσουν σωστά και πραγματοποιήσουν τη λειτουργία για την οποία προορίζονται. Ελέγχετε για στρεβλώσεις ή εμπλοκή των κινούμενων εξαρτημάτων, στάσιμο τμημάτων, ορθή συναρμολόγηση ή οποιαδήποτε άλλη κατάσταση που είναι πιθανό να επηρεάσει τη λειτουργία του ηλεκτρικού εργαλείου. Η καλύπτρα ή οποιοδήποτε άλλο τμήμα που έχει φθαρεί θα πρέπει να επισκευαστεί σωστά ή να αντικατασταθεί σε εξουσιοδοτημένο σημείο σέρβις, εκτός κι αν αναφέρεται διαφορετικά στο παρόν εγχειρίδιο.

## ΑΛΛΕΣ ΠΡΟΕΙΔΟΠΟΙΗΣΕΙΣ ΑΣΦΑΛΕΙΑΣ

- Αποφεύγετε επικίνδυνα περιβάλλοντα – Μη χρησιμοποιείτε χλοοκοπτικά σε βρεγμένες ή υγρές τοποθεσίες.
- Απενεργοποιείτε πάντα το χλοοκοπτικό με νήμα ή απομακρύνετε τη συστοιχία μπαταριών όποτε αφήνετε το μηχάνημα ανεπιτήρητο.
- Μη χρησιμοποιείτε στη βροχή.
- Κρατάτε τα παιδιά μακριά – Όλοι οι επισκέπτες πρέπει να παραμείνουν σε μια απόσταση από το χώρο εργασίας.
- Ντύνεστε κατάλληλα – Μη φοράτε φαρδιά ρούχα ή κοσμήματα. Είναι πιθανό να εγκλωβιστούν στα κινούμενα εξαρτήματα. Όταν εργάζεστε σε εξωτερικούς χώρους συνιστάται να χρησιμοποιείτε λαστιχένια γάντια και γερά παπούτσια. Φοράτε κάλυμμα κεφαλής για να προφυλάξετε τα μακριά μαλλιά.
- Χρησιμοποιείτε προστατευτικά γυαλιά ασφαλείας – Πρέπει πάντα να φοράτε προστατευτικά γυαλιά ασφαλείας όταν χειρίζεστε το μηχάνημα.
- Χρησιμοποιείτε το σωστό εργαλείο – Μη χρησιμοποιείτε το εργαλείο για άλλη εργασία από την προοριζόμενη.
- Μη ζορίζετε το χλοοκοπτικό – Η εργασία θα γίνει καλύτερα και με λιγότερους κινδύνους στον ρυθμό για τον οποίο έχει σχεδιαστεί.
- Μην προεκτείνεστε – Πατάτε πάντα σταθερά και διατηρείτε την ισορροπία σας.
- Να είστε σε εγρήγορση και να προσέχετε τι κάνετε. Χρησιμοποιείτε κοινή λογική. Μη λειτουργείτε το χλοοκοπτικό όταν είστε κουρασμένοι.
- Μη χρησιμοποιείτε το χλοοκοπτικό εάν είστε υπό την επίρρεια αλκοόλ ή φαρμάκων.
- Τα προστατευτικά πρέπει να παραμείνουν στη θέση τους και σε άσηχη κατάσταση λειτουργίας.
- Αποθηκεύετε το χλοοκοπτικό σε εσωτερικό χώρο – Όταν δεν το χρησιμοποιείτε πρέπει να το αποθηκεύετε σε εσωτερικό χώρο σε στεγνή τοποθεσία, ψηλά ή σε ασφαλές σημείο, έχοντας αφαιρέσει τη συστοιχία μπαταριών και εκτός εμβέλειας παιδιών.
- Καθαρίζετε την περιοχή κοπής πριν από κάθε χρήση. Απομακρύνετε όλα τα αντικείμενα όπως πέτρες, σπασμένα γυαλιά, καρφιά, σύρματα ή νήματα τα οποία μπορεί να πεταχτούν ή να υπερδουλέν στο προσάρτημα κοπής. Εξασφαλίστε ότι άλλα άτομα και κατοικίδια θα βρίσκονται τουλάχιστο σε απόσταση 15 μ.
- Πριν χρησιμοποιήσετε το μηχάνημα και μετά από οποιαδήποτε πρόσκρουση, ελέγξτε για ενδείξεις φθοράς ή ζημιάς και προβείτε σε επισκευή όπως απαιτείται.
- Κρατάτε πάντα το χλοοκοπτικό σφιχτά και με τα δύο χέρια από τις λαβές κατά τη λειτουργία. Τυλίγεται το δάχτυλο και τον αντίχειρα γύρω από τις λαβές.
- Αποφεύγετε τυχαία εκκίνηση – Μην μεταφέρετε το χλοοκοπτικό με το δάχτυλο στη σκανδάλη.
- Μη χειρίζεστε το χλοοκοπτικό σε ατμόσφαιρα με βενζίνη ή σε εκρηκτική ατμόσφαιρα. Τα μοτέρ σε αυτές τις συσκευές παρουσιάζουν φυσιολογικά σπινθήρες και οι σπινθήρες μπορεί να αναφλέξουν αέρια.
- Ζημιά στο χλοοκοπτικό – Εάν χτυπήσετε ένα ξένο αντικείμενο με το χλοοκοπτικό ή εάν προκύψει μπλοκάρισμα, σταματήστε το εργαλείο αμέσως, απομακρύνετε τη συστοιχία μπαταριών από το χλοοκοπτικό με νήμα, ελέγξτε για ζημιάς και επιτρέψτε την επισκευή πριν από περαιτέρω λειτουργία. Μη χειρίζεστε με σπασμένο προστατευτικό ή καρούλι.



- Εάν ο εξοπλισμός αρχίσει να δονείται μη φυσιολογικά, σταματήστε τον κινητήρα, απομακρύνετε τη συστοιχία μπαταριών από το χλοοκοπτικό με νήμα. Ελέγξτε αμέσως την αιτία. Οι κραδασμοί είναι συνήθως προειδοποίηση προβλημάτων. Μια χαλαρή κεφαλή μπορεί να δονείται, να ραγίσει, να σπάσει ή να ξεφύγει από το χλοοκοπτικό με αποτέλεσμα σοβαρό ή θανατηφόρο τραυματισμό. Βεβαιώστε ότι το εξάρτημα κοπής είναι σωστά στερεωμένο στη θέση του. Εάν η κεφαλή λασκάρει μετά τη στερέωση στη θέση της, αντικαταστήστε την αμέσως. Ποτέ μη χρησιμοποιείτε ένα χλοοκοπτικό με λασκαρισμένο προσάρτημα κοπής.
- Αντικαθιστάτε μια ραγισμένη, με ζημιές ή φθαρμένη κεφαλή κοπής αμέσως, ακόμα και εάν η ζημιά είναι μόνο επιφανειακές ρωγμές. Τέτοια προσαρτήματα μπορεί να σπάσουν σε υψηλή ταχύτητα και να προκαλέσουν σοβαρό ή θανατηφόρο τραυματισμό.
- Ελέγχετε το προσάρτημα κοπής ανά τακτά χρονικά διαστήματα κατά τη λειτουργία ή αμέσως, εάν υπάρχει αισθητή αλλαγή στη συμπεριφορά κοπής.
- Χρησιμοποιείτε μόνο τα εξουσιοδοτημένα από την EGO™ αξεσουάρ νήματος χλοοκοπτικού από πολυμερές και το νήμα χλοοκοπτικού που έχουν σχεδιαστεί για χρήση με αυτά τα εργαλεία. Παρότι ορισμένα μη εξουσιοδοτημένα προσαρτήματα μπορεί να τοποθετούνται στο χλοοκοπτικό νήματος της EGO™, η χρήση τους μπορεί να είναι εξαιρετικά επικίνδυνη ή/και μπορεί να προκληθεί ζημιά στο εργαλείο.
- Για τη μείωση σοβαρών τραυματισμών, ποτέ μη χρησιμοποιείτε συρμάτινο νήμα ή με μεταλλική ενίσχυση ή άλλα υλικά στη θέση των νάιλον νημάτων κοπής. Τεμάχια σύρματος μπορεί να σπάσουν και να εκτοξευτούν σε υψηλές ταχύτητες προς το χειριστή ή παρευρισκόμενους.
- Για μείωση του κινδύνου τραυματισμού από απώλεια ελέγχου, ποτέ μην εργάζεστε επάνω σε σκάλα ή σε οποιαδήποτε άλλη μη ασφαλή υποστήριξη. Ποτέ μην κρατάτε το προσάρτημα κοπής πάνω από το ύψος μέσης.
- Εάν προκύψουν καταστάσεις που δεν καλύπτονται στο παρόν εγχειρίδιο, να είστε προσεκτικοί και να κρίνετε σωστά. Επικοινωνήστε με το κέντρο σέρβις της EGO για βοήθεια.
- Μη φορτίζετε την μπαταρία στη βροχή ή σε υγρές τοποθεσίες.
- Χρησιμοποιείτε μόνο με συστοιχίες μπαταριών και φορτιστές της EGO.

ΣΥΣΤΟΙΧΙΑ ΜΠΑΤΑΡΙΩΝ	ΦΟΡΤΙΣΤΗΣ
BA1120E, BA1400, BA2240E BA2800, BA3360, BA4200, BA1400T, BA2800T, BA4200T	CH2100E, CH5500E

- Η συστοιχία μπαταριών πρέπει να απομακρυνθεί από τη συσκευή πριν την απόρριψη της τελευταίας.

- Η μπαταρία πρέπει να απορρίπτεται με ασφάλεια.
- Μην απορρίπτετε τις μπαταρίες στη φωτιά. Τα στοιχεία μπορεί να εκραγούν. Ρωτήστε τις τοπικές αρχές για πιθανές ειδικές οδηγίες απόρριψης.
- Μην ανοίγετε ή παραμορφώνετε τη μπαταρία. Ο ηλεκτρολύτης που αποδεδεσμεύεται είναι διαβρωτικός και μπορεί να προκαλέσει βλάβη στα μάτια ή το δέρμα. Μπορεί να είναι τοξικός εάν καταποθεί.
- Να είστε προσεκτικοί κατά το χειρισμό μπαταριών ώστε να μην βραχυκυκλωθεί η μπαταρία με αγώγιμα υλικά όπως δαχτυλίδια, βραχιόλια και κλειδιά. Η μπαταρία ή ο αγωγός μπορεί να υπερθερμανθούν και να προκαλέσουν εγκαύματα.
- Όταν κάνετε συντήρηση του εργαλείου, χρησιμοποιείτε μόνο ίδια ανταλλακτικά της EGO™. Η χρήση οποιοδήποτε άλλου αξεσουάρ ή προσαρτήματος μπορεί να αυξήσει τον κίνδυνο τραυματισμού.
- Τα εργαλεία μπαταρίας δεν πρέπει να συνδέονται σε ηλεκτρική πρίζα. Γι' αυτό βρίσκονται πάντα σε κατάσταση λειτουργίας. Προσέχετε πιθανούς κινδύνους ακόμα και όταν το εργαλείο δεν λειτουργεί. Προσέχετε όταν διεξάγετε συντήρηση ή σέρβις.
- Μην πλένετε με εύκαμπο σωλήνα. Αποφεύγετε να εισέρχεται νερό στον κινητήρα και στις ηλεκτρικές συνδέσεις.
- Φυλάξτε αυτές τις οδηγίες. Ανατρέχετε σε αυτές συχνά και χρησιμοποιείτε τις για να εκπαιδευτείτε άλλους που μπορεί να χρησιμοποιήσουν το εργαλείο. Εάν δανείσετε αυτό το εργαλείο σε κάποιον άλλο, δανείστε και αυτές τις οδηγίες, ώστε να εμποδίστε εσφαλμένη χρήση του προϊόντος και πιθανό τραυματισμό.
- Να φοράτε ανθεκτικά υποδήματα και μακριά παντελόνια κατά τη λειτουργία του μηχανήματος.
- Βεβαιώστε πάντα ότι στέκεστε καλά σε κεκλιμένα εδάφη και επίσης να περπατάτε, να μην τρέχετε.

## ΦΥΛΑΞΤΕ ΑΥΤΕΣ ΤΙΣ ΟΔΗΓΙΕΣ!

## ΠΡΟΔΙΑΓΡΑΦΕΣ

Τάση	56 V ---
Ταχύτητα χωρίς φορτίο	5000/6000 min <sup>-1</sup>
Μηχανισμός κοπής	Κεφαλή πρόσκρουσης
Τύπος νήματος κοπής	2,4 mm νάιλον συστρεφόμενο νήμα μεσινέζας
Πλάτος κοπής	38 cm

Βάρος (χωρίς την μπαταρία)	4,21Kg	
Μετρημένη στάθμη ηχητικής ισχύος $L_{WA}$	94,3 dB(A) K=1,37 dB(A)	
Στάθμη ηχητικής πίεσης στη θέση χειριστή $L_{PA}$	82,6 dB(A) K= 3 dB(A)	
Εγγυημένη στάθμη ηχητικής ισχύος $L_{WA}$ (κατά 2000/14/EK)	96 dB(A)	
Κραδασμοί $a_n$	Πίσω λαβή	3,97 m/s <sup>2</sup> K=1,5 m/s <sup>2</sup>
	Λαβή μπροστινής υποβοήθησης	2,78 m/s <sup>2</sup> K=1,5 m/s <sup>2</sup>

## ΚΑΤΑΛΟΓΟΣ ΕΞΑΡΤΗΜΑΤΩΝ ΣΥΣΚΕΥΑΣΙΑΣ

ΟΝΟΜΑ ΕΞΑΡΤΗΜΑΤΟΣ	ΠΟΣΟΤΗΤΑ
Χλοοκοπτικό μεσινέζας	1
Προστατευτικό	1
Μονάδα λαβής μπροστινής υποβοήθησης	1
Εξάγωνο κλειδί	1
Πολλαπλό κλειδί	1
Ιμάντας ώμου	1
Εγχειρίδιο χρήσης	1

## ΠΕΡΙΓΡΑΦΗ

### ΓΝΩΡΙΣΤΕ ΤΟ ΧΛΟΟΚΟΠΤΙΚΟ ΣΑΣ (Εικ. Α)

1. Δακτύλιος κατωφλίου
2. Σκανδάλη
3. Πίσω λαβή
4. Είσοδος αέρα
5. Κουμπί ασφάλισης
6. Διακόπτης υψηλής/χαμηλής ταχύτητας
7. Γάντζος Στηρίγματος ιμάντα ώμου
8. Ρυθμιζόμενη λαβή μπροστινής υποβοήθησης
9. Ιμάντας ώμου
10. Πολλαπλό κλειδί
11. Εξαγωνικό κλειδί
12. Κεφαλή χλοοκοπτικού (κεφαλή πρόσκρουσης)

13. Νήμα μεσινέζας κοπής
14. Γλωτίδα αποδέσμευσης
15. Λεπίδα Κοπής νήματος μεσινέζας
16. Προστατευτικό
17. Μηχανισμός εκτόξευσης
18. Ηλεκτρικές επαφές
19. Μάνταλο
20. Προστατευτικό ελαστικό πατάκι
21. Κουμπί αποδέσμευσης μπαταρίας

## ΣΥΝΑΡΜΟΛΟΓΗΣΗ

**⚠️ ΠΡΟΕΙΔΟΠΟΙΗΣΗ:** Σε περίπτωση που κάποια από τα εξαρτήματα έχουν υποστεί ζημιά ή λείπουν, μη χρησιμοποιήσετε το μηχάνημα, μέχρι να αντικατασταθούν. Η χρήση αυτού του προϊόντος με φθαρμένα ή ελλειπή εξαρτήματα μπορεί να έχει σαν αποτέλεσμα σοβαρό ατομικό τραυματισμό.

**⚠️ ΠΡΟΕΙΔΟΠΟΙΗΣΗ:** Μην επιχειρήσετε να τροποποιήσετε αυτό το προϊόν ή να χρησιμοποιήσετε εξαρτήματα που δε συνιστώνται για χρήση με αυτό το χλοοκοπτικό μεσινέζας. Οποιαδήποτε τέτοια μετατροπή ή τροποποίηση μπορεί να προκαλέσει επικίνδυνες συνθήκες με επακόλουθο σοβαρό τραυματισμό.

**⚠️ ΠΡΟΕΙΔΟΠΟΙΗΣΗ:** Για να εμποδίσετε τυχαία εκκίνηση που θα μπορούσε να προκαλέσει σοβαρό τραυματισμό, απομακρύνετε πάντα τη συστοιχία μπαταριών από το εργαλείο όταν συναρμολογείτε εξαρτήματα.

### ΤΟΠΟΘΕΤΗΣΗ ΤΟΥ ΠΡΟΣΤΑΤΕΥΤΙΚΟΥ

**⚠️ ΠΡΟΕΙΔΟΠΟΙΗΣΗ:** Φοράτε πάντα γάντια κατά την τοποθέτηση ή αντικατάσταση του προστατευτικού. Προσέχετε τη λεπίδα στο προστατευτικό και προστατεύετε το χέρι σας από κοπή.

**⚠️ ΠΡΟΕΙΔΟΠΟΙΗΣΗ:** Ποτέ μη χειρίζεστε το εργαλείο χωρίς το προστατευτικό στη θέση του. Το προστατευτικό πρέπει να βρίσκεται πάντα στο εργαλείο για την προστασία του χρήστη! Αφού στερεωθεί το προστατευτικό, σε καμία περίπτωση να μην προσπαθήσετε να το απομακρύνετε ή να το ρυθμίσετε. Εάν απαιτείται ανταλλακτικό, η αντικατάσταση πρέπει να διεξαχθεί από εξειδικευμένο τεχνικό του σέρβις!

1. Λασκάρτε και απομακρύνετε τις δύο βίδες από το προστατευτικό (Εικ. Β).

- Ευθυγραμμίστε τις σπές τοποθέτησης προστατευτικού με τις σπές συναρμολόγησης και κατόπιν κλειδώστε το προστατευτικό επάνω στη βάση άξονα με τις δύο βίδες και τις δύο ελατηριωτές ροδέλες (Εικ. C).

**ΣΗΜΕΙΩΣΗ:** Εξασφαλίστε ότι το προστατευτικό έχει σφικτεί σύμφωνα με τις Εικ. Β και C, οποιαδήποτε αντίστροφη στερέωση θα προκαλέσει εξαιρετικά σοβαρό κίνδυνο!

## ΤΟΠΟΘΕΤΗΣΗ ΚΑΙ ΡΥΘΜΙΣΗ ΤΗΣ ΛΑΒΗΣ ΜΠΡΟΣΤΙΝΗΣ ΥΠΟΒΟΗΘΗΣΗΣ

- Χαλαρώστε το κοντάρι ασφάλισης στη λαβή μπροστινής υποβοήθησης και αφαιρέστε το κοντάρι κλειδώματος και την πεταλούδα από τη λαβή μπροστινής υποβοήθησης (Εικ. D).

Εικ. D Για την περιγραφή των εξαρτημάτων δείτε παρακάτω:

D-1	ράβδος ασφάλισης	D-3	Μπλοκ σύσφιξης
D-2	Λαβή Μπροστινής υποβοήθησης	D-4	Πεταλούδα

- Σπρώξτε τη λαβή μπροστινής υποβοήθησης μέσα στον άξονα (Εικ. E).
- Εισαγάγετε το μπλοκ σύσφιξης μέσα στην εσοχή λαβής (Εικ. F).
- Τοποθετήστε το κοντάρι ασφάλισης και σφίξτε το αρχικά με την πεταλούδα. Εξασφαλίστε ότι η λαβή μπροστινής υποβοήθησης είναι προς τα επάνω και δείχνει προς το άνω μέρος της πίσω λαβής (Εικ. G).
- Ρυθμίστε τη λαβή μπροστινής υποβοήθησης μεταξύ του δακτυλίου καταφλίου και της ένδειξης ώστε να εξασφαλίσετε ότι ο μπροστινός σας βραχίονας είναι ίσιος κατά τη λειτουργία (Εικ. H).
- Κλειδώστε το μοχλό του κονταριού ασφάλισης. (Εικ. I)

**ΣΗΜΕΙΩΣΗ:** Η λαβή μπροστινής υποβοήθησης πρέπει να περιστραφεί προς τα επάνω ώστε να δείχνει προς το άνω μέρος της πίσω λαβής.

**⚠ ΠΡΟΕΙΔΟΠΟΙΗΣΗ:** Στερεώνετε την μπροστινή λαβή υποβοήθησης μόνο μεταξύ του δακτυλίου καταφλίου και της ένδειξης πάνω στον άξονα.

**⚠ ΠΡΟΕΙΔΟΠΟΙΗΣΗ:** Το εργαλείο δεν μπορεί να χρησιμοποιηθεί χωρίς να έχει στερεωθεί με ασφάλεια η λαβή μπροστινής υποβοήθησης.

## ΤΟΠΟΘΕΤΗΣΗ ΤΟΥ ΙΜΑΝΤΑ ΩΜΟΥ

Πατήστε το άγκιστρο ιμάντα για να το ανοίξετε και προσαρτήστε το στον γάντζο στηρίγματος ιμάντα ώμου (Εικ. J).

## ΛΕΙΤΟΥΡΓΙΑ

**⚠ ΠΡΟΕΙΔΟΠΟΙΗΣΗ:** ΠΡΟΕΙΔΟΠΟΙΗΣΗ: Η εξοικειώσή σας με αυτό το προϊόν δε θα πρέπει να σας κάνει λιγότερο προσεκτικούς. Θυμηθείτε πως ένα κλάσμα δευτερολέπτου απροσεξίας μπορεί να προκαλέσει σοβαρό τραυματισμό.

**⚠ ΠΡΟΕΙΔΟΠΟΙΗΣΗ:** Πρέπει πάντα να φοράτε γυαλιά ασφαλείας με πλάινά προστατευτικά, καθώς και ωτοασπίδες. Αν δεν το κάνετε, υπάρχει κίνδυνος τραυματισμού των ματιών από αντικείμενα που εκτοξεύονται καθώς και άλλου είδους σοβαρών τραυματισμών.

**⚠ ΠΡΟΕΙΔΟΠΟΙΗΣΗ:** Μη χρησιμοποιείτε εξαρτήματα που δε συνιστώνται από τον κατασκευαστή αυτού του προϊόντος. Η χρήση παρελκόμενων ή εξαρτημάτων που δε συνιστώνται από τον κατασκευαστή, ενέχει τον κίνδυνο σοβαρού τραυματισμού.

**⚠ ΠΡΟΕΙΔΟΠΟΙΗΣΗ:** Για να εμποδίσετε σοβαρό ατομικό τραυματισμό, απομακρύνετε τη συστοιχία μπαταριών από το εργαλείο πριν από σέρβις, καθαρισμό, αλλαγή προσαρτημάτων ή αφαίρεση υλικού από τη μονάδα.

Μπορείτε να χρησιμοποιήσετε αυτό το προϊόν για τους κατωτέρω αναφερόμενους σκοπούς:

**Τριμάρισμα:** χρησιμοποιείται για την απομάκρυνση γρασιδιού και αγριόχορτων σε τοίχους, φράχτες, δέντρα και μπρτοντούρες.

**Κοπή:** χρησιμοποιείται για την κοπή γρασιδιού στο οποίο η πρόσβαση είναι δύσκολη με κανονικό μηχάνημα κοπής χορταριού.

**ΣΗΜΕΙΩΣΗ:** Το εργαλείο πρέπει να χρησιμοποιείται αποκλειστικά για τη σκοπούμενη χρήση. Οποιαδήποτε άλλη χρήση, για παράδειγμα τριμάρισμα άκρων, θα χαρακτηριστεί ως περίπτωση κακής χρήσης.

## ΠΡΟΣΑΡΤΗΣΗ/ΑΠΟΜΑΚΡΥΝΣΗ ΤΗΣ ΣΥΣΤΟΙΧΙΑΣ ΜΠΑΤΑΡΙΩΝ

**Φορτίστε πλήρως πριν από την πρώτη χρήση**

### Τοποθέτηση

Ευθυγραμμίστε τις νευρώσεις μπαταρίας με τις σπές τοποθέτησης και πιέστε τη συστοιχία μπαταριών κάτω, έως ότου ακούσετε ένα «κλικ» (Εικ. K).

## Αφαίρεση

Πιέστε το κουμπί αποδέσμευσης μπαταρίας και βγάλτε έξω τη συστοιχία μπαταριών όπως φαίνεται στην Εικ. L.

Εικ. L Για την περιγραφή των εξαρτημάτων δείτε παρακάτω:

L-1	Κουμπί αποδέσμευσης μπαταρίας
-----	-------------------------------

## ΣΥΓΚΡΑΤΗΣΗ ΤΟΥ ΧΛΟΟΚΟΠΤΙΚΟΥ ΜΕ ΜΕΣΙΝΕΖΑ

**▲ ΠΡΟΕΙΔΟΠΟΙΗΣΗ:** Ντύνεστε κατάλληλα για τη μείωση κινδύνου τραυματισμού κατά τη λειτουργία αυτού του εργαλείου. Μη φοράτε φαρδιά ρούχα ή κοσμήματα. Φοράτε προστατευτικά για τα μάτια και τα αυτιά. Φοράτε βαριά, μακριά παντελόνια, μπότες και γάντια. Μη φοράτε κοντά παντελόνια ή πέδιλα και μην είστε ζυπόλυτοι.

Πριν τη λειτουργία σταθείτε στη θέση λειτουργίας και ελέγξτε για προστασία ματιών, σωστό ρουχισμό, ισορροπημένη θέση, ίσιο βραχίονα ο οποίος συγκρατεί τη λαβή μπροστινής υποβοήθησης.

**ΣΗΜΕΙΩΣΗ:** Η κεφαλή χλοοκοπτικού είναι παράλληλη με το προστατευτικό σε μια σωστή απόσταση κοπής με το χειριστή να μην γέρνει προς τα εμπρός (Εικ. N).

Για ασφαλή και καλύτερη λειτουργία, τοποθετήστε τον ιμάντα ώμου διαγώνια στον ώμο όπως φαίνεται στην Εικ. N. Ρυθμίστε τον ιμάντα ώμου σε μια άνετη θέση λειτουργίας. Κρατάτε το χλοοκοπτικό και με τα δύο χέρια: Ένα χέρι στην πίσω λαβή και το άλλο χέρι στη λαβή μπροστινής υποβοήθησης.

Υπάρχουν δύο τρόποι αποδέσμευσης του ιμάντα. Αφαιρέστε από τον ώμο σας απευθείας (Εικ. O) ή πιέστε το άγκιστρο του ιμάντα και διαχωρίστε το από το κλιπ σωλήνωσης στον άξονα (Εικ. P).

**▲ ΠΡΟΕΙΔΟΠΟΙΗΣΗ:** Ο ιμάντας ώμου είναι επίσης ένας μηχανισμός γρήγορης αποδέσμευσης σε επικίνδυνη κατάσταση. Σε επείγουσα κατάσταση αφαιρέστε τον από τον ώμο σας αμέσως, ανεξάρτητα από τη θέση του ιμάντα.

GR

## ΕΝΑΡΞΗ/ΣΤΑΜΑΤΗΜΑ ΤΟΥ ΧΛΟΟΚΟΠΤΙΚΟΥ ΜΕ ΜΕΣΙΝΕΖΑ (Εικ. M)

### Έναρξη

Πατήστε κάτω το μοχλό ασφάλισης, κατόπιν πιέστε τη σκανδάλη. Διαφορετική πίεση στη σκανδάλη επιφέρει μεταβλητή ταχύτητα περιστροφής του νήματος κοπής. Περισσότερη πίεση, υψηλότερη ταχύτητα.

### Διακοπή

Απελευθερώστε τη σκανδάλη.

**ΣΗΜΕΙΩΣΗ:** Ο κινητήρας λειτουργεί μόνο όταν το κουμπί ασφάλισης και η σκανδάλη πιέζονται μαζί.

**▲ ΠΡΟΕΙΔΟΠΟΙΗΣΗ:** Πάντα απομακρύνετε τη συστοιχία μπαταριών από το χλοοκοπτικό με μεσινέζα κατά τη διάρκεια διαλειμμάτων και μετά την ολοκλήρωση της εργασίας.

## Λειτουργία ρύθμισης ταχύτητας (Εικ. M)

Το χλοοκοπτικό έχει δύο ταχύτητες. Η θέση «1» προορίζεται για χαμηλή ταχύτητα ενώ η θέση «2» για υψηλή ταχύτητα. Ωθήστε ή τραβήξτε τον διακόπτη υψηλής/χαμηλής ταχύτητας για να επιλέξετε την κατάλληλη ταχύτητα κατά τη λειτουργία.

Εικ. M Για περιγραφή των εξαρτημάτων, βλ. παρακάτω:

M-1	Διακόπτης υψηλής/χαμηλής ταχύτητας
M-2	Κουμπί ασφάλισης
M-3	Σκανδάλη

## ΧΡΗΣΗ ΤΟΥ ΧΛΟΟΚΟΠΤΙΚΟΥ ΜΕ ΜΕΣΙΝΕΖΑ

**▲ ΠΡΟΕΙΔΟΠΟΙΗΣΗ:** ΠΡΟΕΙΔΟΠΟΙΗΣΗ: Προς αποφυγή σοβαρού ατομικού τραυματισμού, φοράτε πάντα προστατευτικά γυαλιά ή γυαλιά προστασίας κατά τη λειτουργία αυτής της μονάδας. Φοράτε μια μάσκα προσώπου ή προστασίας από σκόνη σε τοποθεσίες με σκόνη.

Καθαρίζετε την περιοχή κοπής πριν από κάθε χρήση. Απομακρύνετε όλα τα αντικείμενα όπως πέτρες, σπασμένα γυαλιά, καρφιά, σύρματα ή νήματα τα οποία μπορεί να πεταχτούν ή να μπερδευτούν στο προσάρτημα κοπής. Εκκενώνετε το χώρο από παιδιά, παρευρισκόμενους και κατοικίδια. Τα παιδιά, οι παρευρισκόμενοι και τα κατοικίδια πρέπει να βρίσκονται τουλάχιστον 15 μ. μακριά. Μπορεί να συνεχίζει να υπάρχει κίνδυνος για τους παρευρισκόμενους λόγω εκτοξευόμενων αντικειμένων. Οι παρευρισκόμενοι πρέπει να ενθαρρύνονται να φοράνε προστασία για τα μάτια. Εάν σας προσεγγίσουν, σταματήστε το μοτέρ και το προσάρτημα κοπής αμέσως.

Πριν από κάθε χρήση ελέγχετε για εξαρτήματα με ζημιές/φθορές

Ελέγχετε την κεφαλή πρόσκρουσης, το προστατευτικό και τη λαβή μπροστινής υποβοήθησης και αντικαθιστάτε τα εξαρτήματα που έχουν ρωγμές, παραμόρφωση, λυγίσματα ή ζημιές οποιουδήποτε είδους.

Η λεπίδα κοπής νήματος στο άκρο του προστατευτικού μπορεί να στομώσει με την πάροδο του χρόνου. Συστήνεται να την τροχίζετε ανά τακτά χρονικά διαστήματα με μια λίμα ή να την αντικαθιστάτε με νέα.

**⚠ ΠΡΟΕΙΔΟΠΟΙΗΣΗ:** Φοράτε πάντα γάντια κατά την τοποθέτηση του προστατευτικού ή κατά το σέρβις της λεπίδας. Προσέχετε τη λεπίδα στο προστατευτικό και προστατεύετε το χέρι σας από κοπή.

**Μετά από κάθε χρήση, καθαρίζετε το χλοοκοπτικό.**

**⚠ ΠΡΟΣΟΧΗ:** Εμπόδια στις σπές εμποδίζουν ροή του αέρα στο περιβλήμα μοτέρ και έχουν σαν αποτέλεσμα υπερθέρμανση ή ζημιά στο μοτέρ.

- Χρησιμοποιείτε μόνο ήπιο σαπούνι και ένα νωπό πανί για τον καθαρισμό του εργαλείου. Ποτέ μην επιτρέπετε για να φτάνουν στο εσωτερικό του εργαλείου. Ποτέ μην βυθίζετε κανένα τμήμα του εργαλείου μέσα σε υγρά.
- Διατηρείτε πάντα τις σπές αερισμού στο περιβλήμα μοτέρ καθαρές από υπολείμματα.

**⚠ ΠΡΟΕΙΔΟΠΟΙΗΣΗ:** Ποτέ μη χρησιμοποιείτε νερό για τον καθαρισμό του χλοοκοπτικού σας. Αποφύγετε τη χρήση διαλυτών κατά τον καθαρισμό των πλαστικών εξαρτημάτων. Τα περισσότερα πλαστικά είναι ευπαθή στη χρήση διαφόρων τύπων διαλυτών του εμπορίου. Χρησιμοποιείτε καθαρό πανί για την απομάκρυνση βρωμιάς, σκόνης, λαδιού, γράσου κτλ.

### ΡΥΘΜΙΣΗ ΤΟΥ ΜΗΚΟΥΣ ΝΗΜΑΤΟΣ ΚΟΠΗΣ

Η κεφαλή χλοοκοπτικού επιτρέπει στον χειριστή να αποδεσμεύσει περισσότερο νήμα κοπής χωρίς να σταματήσει το μοτέρ. Καθώς το νήμα ξεφτίζει ή φθείρεται, μπορεί να αποδεσμευτεί περισσότερο νήμα πατώντας ελαφρά την κεφαλή χλοοκοπτικού στο έδαφος ενώ λειτουργεί το χλοοκοπτικό (Εικ. Q).

**ΣΗΜΕΙΩΣΗ:** Η αποδέσμευση νήματος θα είναι πιο δύσκολη καθώς το νήμα κοπής γίνεται πιο κοντό.

**⚠ ΠΡΟΕΙΔΟΠΟΙΗΣΗ:** Μην απομακρύνετε ή τροποποιείτε τη μονάδα λεπίδας κοπής νήματος. Υπερβάλλον μήκος νήματος θα προκαλέσει υπερθέρμανση στο μοτέρ και μπορεί να προκύψει σοβαρός ατομικός τραυματισμός.

### ΑΝΤΙΚΑΤΑΣΤΑΣΗ ΝΗΜΑΤΟΣ

**ΣΗΜΕΙΩΣΗ:** Χρησιμοποιείτε πάντα το προτεινόμενο νάιλον νήμα κοπής με μια διάμετρο που δεν υπερβαίνει τα 2,4 χιλ. Η χρήση νήματος διαφορετικού από το καθορισμένο μπορεί να προκαλέσει υπερθέρμανση ή ζημιά στο χλοοκοπτικό με μεσινέζα.

**⚠ ΠΡΟΕΙΔΟΠΟΙΗΣΗ:** Ποτέ μη χρησιμοποιείτε νήμα με μεταλλική ενίσχυση, σύρμα ή σχοινί κ.λπ. Αυτά μπορεί να σπάσουν και να εκτοξευθούν.

1. Αφαιρέστε τη συστοιχία μπαταριών.
2. Απομακρύνετε το υπόλοιπο νήμα κοπής, εφόσον απαιτείται.
3. Κόψτε ένα κομμάτι νήματος μήκους 4 μέτρων. Εισαγάγετε το νήμα μέσα στην σπή τοποθέτησης μέσα στο οθαλαμίδιο (Εικ. R). Ωθήστε και τραβήξτε το νήμα από την άλλη πλευρά, έως ότου εμφανιστεί ίσο μήκος νήματος και στις δύο πλευρές του καρούλιου.
4. Πιέστε, ενώ περιστρέφετε τη διάταξη του κάτω καλύμματος προς την κατεύθυνση βέλους, για να τυλίξετε το νήμα επάνω στο καρούλι, έως ότου περίπου 14 εκ. νήματος φανούν σε κάθε πλευρά (Εικ. S).
5. Ωθήστε τη διάταξη του κάτω καλύμματος προς κάτω ενώ τραβάτε τα νήματα για να προωθήσετε χειροκίνητα το νήμα και για να ελέγξετε τη σωστή συναρμολόγηση της κεφαλής χλοοκοπτικού.

Όταν σπάσει το νήμα κοπής από την έξοδο νήματος ή το νήμα κοπής δεν αποδεσμευτεί όταν χτυπηθεί η κεφαλή χλοοκοπτικού, ακολουθήστε τα κατωτέρω βήματα:

1. Πιέστε τις γλωττίδες στη θήκη στο πάνω κάλυμμα και αφαιρέστε τη διάταξη του κάτω καλύμματος, τραβώντας την ευθεία προς τα έξω (Εικ. T και U).
2. Αφαιρέστε το νήμα κοπής από το καρούλι.
3. Κρατώντας με το ένα χέρι τη διάταξη του κάτω καλύμματος, χρησιμοποιήστε το άλλο χέρι σας για να πιάσετε τη διάταξη του κάτω καλύμματος και να ευθυγραμμίσετε τις γλωττίδες στο πάνω κάλυμμα με τις τρύπες στη διάταξη του κάτω καλύμματος (Εικ. V). Χρησιμοποιώντας την παλάμη σας, πατήστε τη διάταξη του κάτω καλύμματος μέχρι οι γλωττίδες να κλειδώσουν στο πάνω κάλυμμα.
4. Ακολουθήστε τις οδηγίες στο απόσπασμα «ΑΝΤΙΚΑΤΑΣΤΑΣΗ ΝΗΜΑΤΟΣ» για να επαναφορτώσετε το νήμα κοπής.

### ΣΥΝΤΗΡΗΣΗ

**⚠ ΠΡΟΕΙΔΟΠΟΙΗΣΗ:** Όταν κάνετε συντήρηση του εργαλείου, χρησιμοποιείτε μόνο ίδια ανταλλακτικά. Η χρήση οποιωνδήποτε άλλων εξαρτημάτων μπορεί να προκαλέσει κίνδυνο ή υλικές ζημιές. Για να διασφαλίσετε την ασφάλεια και την αξιοπιστία, όλες οι επισκευές και οι αντικαταστάσεις πρέπει να διεξάγονται από εξειδικευμένο τεχνικό του σέρβις.

**⚠ ΠΡΟΕΙΔΟΠΟΙΗΣΗ:** Τα εργαλεία μπαταρίας δεν πρέπει να συνδέονται σε ηλεκτρική πρίζα. Γι' αυτό βρίσκονται πάντα σε κατάσταση λειτουργίας. Για να εμποδίσετε σοβαρό ατομικό τραυματισμό, λάβετε επιπρόσθετα προληπτικά μέτρα και προσέχετε όταν διεξάγετε συντήρηση, σέρβις ή όταν αλλάζετε προσάρτημα κοπής ή άλλα προσάρτηματα.

**⚠ ΠΡΟΕΙΔΟΠΟΙΗΣΗ:** Για να εμποδίσετε σοβαρό ατομικό τραυματισμό, απομακρύνετε τη συστοιχία μπαταριών από το εργαλείο πριν από σέρβις, καθαρισμό, αλλαγή πρόσθετων ή αφαίρεση υλικού από τη μονάδα.

## ΚΑΘΑΡΙΣΜΟΣ ΤΗΣ ΜΟΝΑΔΑΣ

- Καθαρίζετε τη μονάδα χρησιμοποιώντας ένα νωπό πανί με ήπιο απορρυπαντικό.
- Μη χρησιμοποιήσετε κανένα δραστικό απορρυπαντικό πάνω στο πλαστικό περίβλημα ή τη λαβή. Αυτά μπορούν να καταστραφούν από ορισμένα αρωματικά έλαια, όπως πεύκο και λεμόνι, καθώς και από διαλύτες, όπως η κηροζίνη. Η υγρασία μπορεί επίσης να προκαλέσει κίνδυνο ηλεκτροπληξίας. Σκουπίζετε ενδεχόμενη υγρασία με ένα μαλακό στεγνό πανί.
- Χρησιμοποιήστε μια μικρή βούρτσα ή την έξοδο αέρα μιας μικρής ηλεκτρικής σκούπας με βουρτσάκι για να καθαρίσετε τις σπές αερισμού στο πίσω περίβλημα.

## ΛΙΠΑΝΣΗ ΣΥΣΤΗΜΑΤΟΣ ΟΔΟΝΤΟΤΡΟΧΩΝ

Το σύστημα οδοντοτροχών στο κιβώτιο γραναζιών πρέπει να λιπαίνεται περιοδικά με το γράσο μειωτήρων. Ελέγχετε σχεδόν κάθε 50 ώρες λειτουργίας τη στάθμη γράσου στο κιβώτιο γραναζιών αφαιρώντας τη βίδα στεγανοποίησης στα πλάγια του κιβωτίου.

Εάν δεν φαίνεται γράσο στις πλευρικές επιφάνειες του μειωτήρα, ακολουθήστε τα παρακάτω βήματα για να γεμίσετε με γράσο μειωτήρων έως την ένδειξη 3/4. Μη γεμίσετε έως πάνω το σύστημα οδοντοτροχών.

1. Κρατάτε το χλοοκοπτικό μεσινέζας στα πλάγια έτσι ώστε η βίδα στεγανοποίησης να βλέπει προς τα επάνω (Εικ. W).
2. Χρησιμοποιήστε το παρεχόμενο κλειδί πολλαπλών λειτουργιών για να λασκάρετε και να απομακρύνετε τη βίδα στεγανοποίησης.
3. Χρησιμοποιήστε μια σύριγγα γράσου (δεν περιλαμβάνεται) για να εισαγάγετε λίγο γράσο μέσα στην οπή βίδας. Μην υπερβαίνετε την ένδειξη 3/4.
4. Σφίξτε τη βίδα στεγανοποίησης μετά την έγχυση γράσου.

## ΑΠΟΘΗΚΕΥΣΗ ΤΗΣ ΜΟΝΑΔΑΣ

- Απομακρύνετε τη συστοιχία μπαταριών από το χλοοκοπτικό μεσινέζας όταν δεν χρησιμοποιείται.
- Καθαρίστε το εργαλείο σχολαστικά προτού το αποθηκεύσετε.
- Αποθηκεύετε τη μονάδα σε έναν στεγνό, καλά αεριζόμενο χώρο, κλειδωμένο ή σε ψηλό σημείο, εκτός εμβέλειας παιδιών. Μην αποθηκεύετε τη μονάδα επάνω ή δίπλα σε λιπάσματα, βενζίνη ή άλλες χημικές ουσίες.

## Προστασία του περιβάλλοντος



Μην απορρίπτετε τους ηλεκτρικούς εξοπλισμούς, το φορτιστή μπαταρίας και τις μπαταρίες/επαναφορτιζόμενες μπαταρίες στα οικιακά απορρίμματα! Σύμφωνα με τον Ευρωπαϊκό νόμο 2012/19/ΕΕ, οι ηλεκτρικοί και οι ηλεκτρονικοί εξοπλισμοί που δεν χρησιμοποιούνται πλέον και σύμφωνα με τον Ευρωπαϊκό νόμο 2006/66/ΕΚ, οι ελαστωματικές ή χρησιμοποιημένες συστοιχίες μπαταριών/μπαταρίες πρέπει να συλλέγονται ξεχωριστά. Εάν οι ηλεκτρικές συσκευές απορριφθούν στο ύπαιθρο ή σε χωματερές, τότε είναι πιθανό να διαρρέυσουν επικίνδυνες ουσίες στα υπόγεια ύδατα, με αποτέλεσμα να περάσουν στην τροφική αλυσίδα, προκαλώντας ζημιές στην υγεία και την φυσική σας κατάσταση.

## ΑΝΤΙΜΕΤΩΠΙΣΗ ΠΡΟΒΛΗΜΑΤΩΝ

ΠΡΟΒΛΗΜΑ	ΑΙΤΙΑ	ΕΠΙΛΥΣΗ
Το χλοοκοπτικό μεσινέζας δεν εκκινείται.	<ul style="list-style-type: none"> <li>■ Η συστοιχία μπαταριών δεν έχει προσαρτηθεί στο χλοοκοπτικό.</li> <li>■ Δεν υπάρχει ηλεκτρική επαφή μεταξύ του χλοοκοπτικού και της μπαταρίας.</li> <li>■ Η συστοιχία μπαταριών έχει εξαντληθεί.</li> <li>■ Το κουμπί ασφάλισης και η σκανδάλη δεν πατήθηκαν ταυτόχρονα.</li> </ul>	<ul style="list-style-type: none"> <li>■ Τοποθετήστε τη συστοιχία μπαταριών στο χλοοκοπτικό.</li> <li>■ Απομακρύνετε τη μπαταρία, ελέγξτε τις επαφές και επανεγκαταστήστε τη συστοιχία μπαταριών.</li> <li>■ Φορτίστε τη συστοιχία μπαταριών.</li> <li>■ Πατήστε κάτω το κουμπί ασφάλισης και κρατήστε το πατημένο, κατόπιν πιέστε τη σκανδάλη για να ενεργοποιήσετε το χλοοκοπτικό μεσινέζας.</li> </ul>
Το χλοοκοπτικό μεσινέζας σταματάει κατά την κοπή.	<ul style="list-style-type: none"> <li>■ Το προστατευτικό δεν έχει τοποθετηθεί στο χλοοκοπτικό με αποτέλεσμα εξαιρετικά μακριά γραμμή κοπής και υπερφόρτωση του μοτέρ.</li> <li>■ Χρησιμοποιείται βαριά γραμμή κοπής.</li> <li>■ Ο άξονας μοτέρ ή η κεφαλή χλοοκοπτικού έχουν μπλοκαριστεί με γρασίδι.</li> <li>■ Το μοτέρ έχει υπερφορτωθεί.</li> <li>■ Έχει υπερθερμανθεί η μπαταρία ή το χλοοκοπτικό.</li> <li>■ Η συστοιχία μπαταριών έχει αποσυνδεθεί από το εργαλείο.</li> <li>■ Η συστοιχία μπαταριών έχει εξαντληθεί.</li> </ul>	<ul style="list-style-type: none"> <li>■ Απομακρύνετε τη συστοιχία μπαταριών και τοποθετήστε το προστατευτικό στο χλοοκοπτικό.</li> <li>■ Χρησιμοποιείτε το προτεινόμενο νάιλον νήμα κοπής με διάμετρο όχι μεγαλύτερη από 2,4 χιλιοστά.</li> <li>■ Σταματήστε το χλοοκοπτικό, απομακρύνετε τη μπαταρία και αφαιρέστε το γρασίδι από τον άξονα μοτέρ και την κεφαλή χλοοκοπτικού.</li> <li>■ Απομακρύνετε την κεφαλή χλοοκοπτικού από το γρασίδι. Το μοτέρ θα συνεχίσει να λειτουργεί μόλις αφαιρεθεί το φορτίο. Κατά την κοπή μετακινείτε την κεφαλή χλοοκοπτικού μέσα και έξω από το γρασίδι που θα κοπεί και μην απομακρύνετε σε μήκος περισσότερο από 20 εκ. σε μια μόνο κοπή.</li> <li>■ Επιτρέψτε να κρυώσει η συστοιχία μπαταριών ή το χλοοκοπτικό, έως ότου η θερμοκρασία πέσει κάτω από τους 67°C.</li> <li>■ Επανεγκαταστήστε τη συστοιχία μπαταριών.</li> <li>■ Φορτίστε τη συστοιχία μπαταριών.</li> </ul>

ΠΡΟΒΛΗΜΑ	ΑΙΤΙΑ	ΕΠΙΛΥΣΗ
Η κεφαλή χλοοκοπτικού δεν προωθεί νήμα.	<ul style="list-style-type: none"> <li>■ Ο άξονας μοτέρ ή η κεφαλή χλοοκοπτικού έχουν μπλοκαριστεί με γρασίδι.</li> <li>■ Δεν υπάρχει επαρκές νήμα στο καρούλι.</li> <li>■ Η κεφαλή χλοοκοπτικού είναι βρώμικη.</li> <li>■ Το νήμα έχει μπλοκάρει στο καρούλι.</li> <li>■ Το νήμα είναι πολύ κοντό.</li> </ul>	<ul style="list-style-type: none"> <li>■ Σταματήστε το χλοοκοπτικό, απομακρύνετε τη μπαταρία και καθαρίστε τον άξονα μοτέρ και την κεφαλή του χλοοκοπτικού.</li> <li>■ Αφαιρέστε τη μπαταρία και αντικαταστήστε το νήμα κοπής. Ακολουθήστε το απόσπασμα «ΑΝΤΙΚΑΤΑΣΤΑΣΗ ΝΗΜΑΤΟΣ» στο παρόν εγχειρίδιο.</li> <li>■ Αφαιρέστε την μπαταρία και καθαρίστε την κεφαλή του χλοοκοπτικού.</li> <li>■ Αφαιρέστε την μπαταρία, αφαιρέστε το νήμα από την κεφαλή του χλοοκοπτικού και ξανατυλίξτε. Ακολουθήστε τις οδηγίες της ενότητας «ΕΠΑΝΑΦΟΡΤΩΣΗ ΝΗΜΑΤΟΣ ΚΟΠΗΣ» στο παρόν εγχειρίδιο.</li> <li>■ Αφαιρέστε την μπαταρία και τραβήξτε το νήμα ενώ με το χέρι, ενώ πατάτε κάτω και αποδεσμεύετε διαδοχικά την κεφαλή χλοοκοπτικού.</li> </ul>
Τυλίγεται γρασίδι γύρω από την κεφαλή χλοοκοπτικού και από το περιβλήμα μοτέρ.	<ul style="list-style-type: none"> <li>■ Κοπή ψηλού γρασιδιού στο επίπεδο εδάφους.</li> </ul>	<ul style="list-style-type: none"> <li>■ Κόβετε ψηλό γρασίδι από επάνω προς τα κάτω, απομακρύνοντας όχι περισσότερα από 20 εκ. σε κάθε διέλευση, ώστε να εμποδίσετε τύλιξη.</li> </ul>
Ρωγμές στην κεφαλή χλοοκοπτικού, ή η διάταξη του κάτω καλύμματος καρουλιού λασκάρει από το πάνω κάλυμμα.	<ul style="list-style-type: none"> <li>■ Η κεφαλή χλοοκοπτικού έχει φθαρεί.</li> </ul>	<ul style="list-style-type: none"> <li>■ Ζητήστε αμέσως την αντικατάσταση της κεφαλής χλοοκοπτικού από εξειδικευμένο τεχνικό του σέρβις.</li> </ul>

## ΕΓΓΥΗΣΗ

### ΠΟΛΙΤΙΚΗ ΕΓΓΥΗΣΗΣ EGO

Επισκεφθείτε την ιστοσελίδα [egopowerplus.com](http://egopowerplus.com) για όλους τους όρους και τις προϋποθέσεις της πολιτικής εγγύησης EGO.



## TÜM TALIMATLARI OKUYUN!



### KULLANIM KILAVUZUNU OKUYUN

**⚠ Artık risk!** Kalp pili gibi elektronik cihaz kullanan kişiler bu ürünü kullanmadan önce hekimlerine danışmalıdır. Elektrikli cihazların, kalp pili yakınında çalıştırılması kalp pilinde parazite veya arızaya neden olabilir.

**⚠ UYARI:** Güvenliği ve güvenilirliği sağlamak için, tüm onarım işlemleri yetkili bir servis teknisyeni tarafından gerçekleştirilmelidir.

## GÜVENLİK SEMBOLLERİ

Güvenlik sembollerinin amacı olası tehlikelere dikkatinizi çekmektir. Güvenlik sembolleri ve yanlarındaki açıklamalar özel dikkat ve anlayış göstermenizi gerektirir. Uyarı sembolleri kendi başlarına herhangi bir tehlikeyi gidermez. Sundukları talimat ve uyarılar uygun kaza önleme önlemlerinin yerine geçmez.

**⚠ UYARI:** Bu aleti kullanmadan önce, “TEHLİKE”, “UYARI” ve “DİKKAT” gibi tüm güvenlik uyarı ve sembollerini içeren bu Kullanım Kılavuzu içerisindeki tüm güvenlik talimatlarını okuyup anladığınızdan emin olun. Aşağıdaki talimatların tamamına uyulmaması elektrik çarpması, yangın ve/veya ciddi kişisel yaralanma ile sonuçlanabilir.

## SEMBOLÜN ANLAMI

### GÜVENLİK UYARI SEMBOLÜ: TEHLİKE, UYARI

veya **DİKKAT** edilmesi gereken durumları gösterir. Diğer semboller veya resimlerle birlikte kullanılabilir.



**⚠ UYARI:** Herhangi bir elektrikli aletin kullanımı yabancı nesnelerin gözlerinize fırlatılması sonucunu doğurabilir, bu da gözlerde ciddi hasara yol açabilir. Elektrikli aleti kullanmaya başlamadan önce, daima göz koruması veya yan siperleri olan koruyucu gözlük takın ve gerektiğinde tam yüz siperi kullanın. Gözlük üzerine kullanım için Wide Vision Koruyucu Maske ya da yan siperleri olan standart koruyucu gözlükleri tavsiye ederiz.

## GÜVENLİK TALIMATLARI

Bu sayfada, bu ürün üzerinde görülebilecek güvenlik sembolleri gösterilmekte ve açıklanmaktadır. Makineyi monte etmeye ve kullanmaya başlamadan önce, makineye ilişkin tüm talimatları okuyup anlayın ve bu talimatlara uyun.

	Güvenlik Uyarısı	Potansiyel bir kişisel yaralanma tehlikesini gösterir.
	Kullanım Kılavuzunu Okuyun	Yaralanma riskini azaltmak için, kullanıcı bu ürünü kullanmadan önce talimatları mutlaka okumalıdır.
	Koruyucu Gözlük Takın	Bu ürünü kullanırken daima kulak koruması kullanın.
	Kulak Koruması Takın	Bu ürünü kullanırken daima kulak koruması kullanın.
	Kesim Bıçağı Yok	Metal veya plastik kesim bıçağı takmayın.
	Üçüncü Şahısları Uzak Tutun	Misinalı çim biçme makinesi kullanılırken diğer insanların ve evcil hayvanların en az 15m uzakta olduklarından emin olun.
	Üçüncü Şahısları Uzak Tutun	Misinalı çim biçme makinesi kullanılırken diğer insanların ve evcil hayvanların en az 15m uzakta olduklarından emin olun.
	Gürültü	Ses basıncı seviyesi
	Hava Girişi Koruma Derecesi	Şıçrayan suya karşı koruma
V	Volt	Voltaj
mm	Milimetre	Uzunluk veya boyut
cm	Santimetre	Uzunluk veya boyut
	Doğru Akım	Akım türü ve özelliği
n <sub>0</sub>	Yüksüz Hız	Yüksüz dönüş hızı
min <sup>-1</sup>	Dakika Başına	Dakika başına dönüş

## ÖNEMLİ GÜVENLİK TALİMATLARI

**⚠ UYARI!** Elektrikli çim biçme makinesini kullanırken, yangın, elektrik çarpması ve kişisel yaralanma riskini azaltmak için aşağıdakiler de dahil olmak üzere temel güvenlik önlemlerine daima uyulmalıdır:

## TÜM TALİMATLARI OKUYUN

**⚠ TEHLİKE!** Elektrik çarpmasına karşı aletin yalıtımına güvenmeyin. Elektrik çarpma riskini azaltmak için, aleti asla akım taşıyabilecek kabloların yakınında kullanmayın.

**⚠ DİKKAT!** Cihazı kullanırken uygun kişisel kulak koruması kullanın. Bazı koşullar altında veya kimi kullanımlarda, bu üründen çıkan ses işitme kaybına yol açabilir.

## EĞİTİM

- Talimatları dikkatle okuyun. Cihazın kumandalarını ve uygun kullanım şeklini öğrenin.
- Kullanım talimatları hakkında yeterli bilgiye sahip olmayan kişilerin cihazı kullanmasına asla izin vermeyin. Yerel yönetmelikler kullanıcı yaşına sınırlama getirebilir.
- Operatör veya kullanıcının, diğer kişilerin veya eşyaların başına gelebilecek yaralanma veya hasarlardan sorumlu olduğunu unutmayın.

## HAZIRLIK

- Makineyi asla yakınızdaki başkaları, özellikle de çocuklar veya evcil hayvanlar varken kullanmayın.
- Cihazı çalıştırırken daima göz koruması ve sağlam ayakkabı kullanın.
- Makine ile çevredeki insanlar arasında en az 15 m mesafe olmalıdır.
- Metal bıçak kullanmayın

## ÇALIŞTIRMA

- Makineyi sadece gün ışığında veya iyi aydınlatılmış yerlerde kullanın.
- Makineyi asla hasarlı koruyucu donanımla veya koruyucu donanım takılı değilken kullanmayın.
- Motoru sadece el ve ayaklar kesim araçlarından uzakta olduğunda çalıştırın.
- Aşağıdaki durumlarda daima makinenin güç kaynağı ile bağlantısını kesin (örn. fişini çekin veya emniyete alın).
  - makineyi gözetimsiz bıraktığınızda;
  - bir tıkanıklığı gidermeden önce;
  - cihazı kontrol etmeden, temizlemeden veya üzerinde herhangi bir çalışma yürütmeden önce;

- yabancı bir cisme çarptıktan sonra;
- makine anormal bir sarsıntı gösterdiğinde.
- Yaralanmamak için ellerinizi ve ayaklarınızı kesim parçalarından uzak tutun.
- Havalandırma boşluklarında artık olmadığından emin olun.

## BAKIM VE SAKLAMA

- Bakım veya temizlik işlemlerini gerçekleştirmeden önce daima makinenin güç kaynağı ile bağlantısını kesin (örn. fişini çekin veya emniyete alın).
- Sadece üretici tarafından önerilen yedek parça ve aksesuarları kullanın.
- Makineyi düzenli olarak kontrol edin ve bakımını yapın. Makinenin sadece yetkili bir uzman tarafından tamir edilmesini sağlayın.
- Kullanmadığınız zaman, makineyi çocukların ulaşamayacağı bir yerde saklayın.

## DİĞER GÜVENLİK UYARILARI

- Tehlikeli ortamlardan uzak durun – Biçicileri rutubetli veya ıslak ortamlarda kullanmayın.
- Biçiciyi gözetimsiz bıraktığınızda daima gücünü kapatın veya pil paketini çıkarın.
- Yağmur altında kullanmayın.
- Çocukları uzak tutun – Tüm ziyaretçiler çalışma alanından güvenli bir mesafede tutulmalıdır.
- Uygun bir şekilde giyinin – Bol giysiler giymeyin veya takı takmayın. Hareketli parçalara takılabılır. Açık havada çalışırken kauçuk eldiven ve sağlam ayakkabı giyilmesi önerilir. Uzun saçları toplamak için koruyucu baş örtüsü kullanın.
- Koruyucu Gözlük Kullanın - Makineyi kullanırken her zaman koruyucu gözlük kullanın..
- Doğru aleti kullanın - Aleti kullanım amacı dışında herhangi bir amaçla kullanmayın.
- Çim biçiciyi zorlamayın – Makine, tasarlanan çalışma hızında çalıştırıldığında en az yaralanma riski ile işini yapacaktır.
- Dengesiz bir duruşla çalışma yapmayın - Çalışma süresince ayaklarınızı sağlam basın ve dengeyi koruyun.
- Daima tetikte olun – Ne yaptığınıza dikkat edin. Sağduyulu olun. Çim biçme makinesini yorgunken kullanmayın.
- Alkol veya uyuşturucu etkisindeyken makineyi çalıştırmayın.
- Koruyucu donanımın yerinde ve çalışır durumda olmasını sağlayın.

- Çim biçme makinesini kapalı bir yerde saklayın – Kullanılmadığında çim biçme makinesi, pil paketi çıkarılmış olarak - çocukların erişemeyeceği - kuru ve yüksek ya da kilimli olan kapalı alanda saklanmalıdır.
- Çim biçme makinesine dikkatle bakım yapın – En iyi performansı elde etmek ve yaralanma riskini azaltmak için kesim parçalarını temiz tutun. Aksesuar değişimi için verilen talimatlara uyun. Tutma saplarını kuru, temiz, benzin ve yağdan uzak tutun.
- Hasarlı parçaları kontrol edin – Çim biçme makinesini tekrar kullanmadan önce, hasarlı bir koruyucu donanım ya da diğer herhangi bir parça, uygun biçimde çalışıp çalışmayacağını ve amaçlanan işlevini yerine getirip getirmeyeceğini belirlemek için dikkatle kontrol edilmelidir. Hareketli parçaların hizasını, hareketli parçaların bağlantılarını, parçalarda kırık olup olmadığını, montajını ve çalışmasını etkileyebilecek diğer tüm koşulları kontrol edin. Hasarlı bir koruyucu donanım ya da diğer herhangi bir parça bu kullanım kılavuzunda başka türü belirtilmemişse yetkili bir Servis Merkezi tarafından uygun şekilde tamir edilmeli veya değiştirilmelidir.
- Her kullanımdan önce kesilecek alanı temizleyin. Kesim parçalarına takılabilecek veya fırlatılabilecek taş, kırık cam, çivi, tel veya sicim vb. tüm nesnelere temizleyin. Diğer insanların ve evcil hayvanların en az 15m uzakta olduklarından emin olun.
- Makineyi kullanmadan önce ve herhangi bir darbe sonrasında, aşınma ya da hasar belirtisi olup olmadığını kontrol edin ve gerekirse onarın.
- Çim biçme makinesini çalıştırırken daima tutma saplarından her iki elinizi sıkıca tutun. Parmaklarınızı tutma saplarının etrafına sıkıca sarın.
- Yanlışlıkla çalıştırmaktan kaçının – Çim biçme makinesini parmağınız tetik üzerindeyken taşımayın.
- Çim biçme makinesini benzinli veya patlayıcı ortamlarda çalıştırmayın. Bu tür cihazların motoru kıvılcım çıkarabilir ve kıvılcımlar gazları tutuşturabilir.
- Çim biçme makinesinde hasar – Makineyi bir yabancı nesneye çarparsanız veya takılırsa, derhal aleti durdurun, pil paketini makineden çıkarın, hasar olup olmadığını kontrol edin ve herhangi bir hasar varsa yeniden çalıştırmadan önce onarılmasını sağlayın. Arızalı bir koruyucu donanım veya makara ile çalıştırmayın.
- Cihaz anormal şekilde titremeye başlarsa, motoru durdurun ve pil paketini makineden çıkarın. Ve derhal nedenini kontrol edin. Titreşim genellikle bir sorun olduğunu gösterir. Gevşek bir başlık titreşim yapabilir, çatlayabilir, bozulabilir veya biçiciye temas ederek ciddi yaralanmalara neden olabilir. Kesim parçalarının

düzenli bir şekilde takıldığından emin olun. Başlık yerine takıldıktan sonra gevşiyorsa, derhal değiştirin. Bir çim biçme makinesini asla gevşek bir kesim parçasıyla kullanmayın.

- Hasar yüzeysel çatlaklarla sınırlı olsa dahi, çatlamış, hasarlı veya aşınmış bir kesim başlığını derhal değiştirin. Bu tür parçalar yüksek hızda parçalanabilir ve ciddi veya ölümcül yaralanmalara neden olabilir.
- Çalışma sırasında, kesim parçalarını kısa aralıklarla düzenli olarak kontrol edin veya kesim işleminde gözle görülür bir değişim varsa derhal kontrol edin.
- Sadece bu aletler için tasarlanmış olan, onaylanmış EGO™ polimer çim biçme misina aksesuarlarını ve çim biçme misinasını kullanın. Belirli bazı onaylanmış parçalar da EGO™ misinalı çim biçme makinesine takılabilesine rağmen, kullanılmaları çok tehlikeli olabilir ve/veya aletlere zarar verebilir.
- Ciddi yaralanma riskini azaltmak için, naylon kesim misinaları yerine asla tel veya metal takviyeli misina ya da diğer malzemeleri kullanmayın. Tel parçaları kopabilir ve operatöre ya da çevredeki insanlara fırlatılabilir.
- Kontrolün kaybedilmesi sonucu yaralanma riskini azaltmak için, asla merdiven üzerinde ya da diğer herhangi bir güvenli olmayan destek üzerinde çalışmayın. Asla kesim parçalarını bel yüksekliğinin üzerinde tutmayın.
- Bu kılavuzda yer almayan durumlar meydana gelirse, dikkatli ve sağduyulu davranın. Yardım için EGO Servis Merkeziyle iletişime geçin.
- Pil paketini yağmurlu veya ıslak ortamlarda şarj etmeyin.
- Sadece EGO akü ve şarj cihazlarını kullanın.

AKÜ	ŞARJ CİHAZI
BA1120E, BA1400, BA2240E BA2800, BA3360, BA4200, BA1400T, BA2800T, BA4200T	CH2100E, CH5500E

- Pil paketi atılmadan önce cihazdan çıkarılmalıdır.
- Pil güvenli bir şekilde imha edilmelidir.
- Aküyü ateşe atarak imha etmeyin. Pil hücreleri patlayabilir. Mevcut özel imha talimatları için yerel yetkililere başvurun.
- Pili açmayın veya tahrip etmeyin. Açığa çıkan elektrolit aşındırıcıdır ve gözlerin veya cildin zarar görmesine neden olabilir. Yutulması halinde zehirli olabilir.
- Yüzük, bilezik ve anahtar gibi malzemelerle pile kısa devre yaptırmamak için, pilleri tutarken dikkatli olun. Pil veya iletken aşırı ısınabilir ve yanıklara neden olabilir.

- Bakım ve onarım sırasında birebir aynı EGO™ yedek parçalarını kullanın. Diğer parça veya aksesuarların kullanılması yaralanma riskini artırır.
- Pille çalışan aletlerin elektrik prizine takılmalarına gerek yoktur; bu nedenle daima çalışır durumdadırlar. Alet kullanılmadığı zaman dahi oluşabilecek muhtemel tehlikelere karşı dikkatli olun. Bakım veya onarım işlemi yaparken dikkatli olun.
- Hortumla yıkamayın; motor ve elektrik bağlantılarına su kaçırmamaya dikkat edin.
- Φυλάξτε αυτές τις οδηγίες. Ανατρέχετε σε αυτές συχνά και χρησιμοποιείτε τις για να εκπαιδεύετε άλλους που μπορεί να χρησιμοποιήσουν το εργαλείο. Εάν δανείσετε αυτό το εργαλείο σε κάποιον άλλο, δανείστε και αυτές τις οδηγίες, ώστε να εμποδίσετε εσφαλμένη χρήση του προϊόντος και πιθανό τραυματισμό.
- Makineyi çalıştırırken daima dayanıklı ayakkabı ve uzun pantolon giyin.
- Eğimli alanlarda bastığınız yerlerin sağlam olduğundan emin olun ve yürüyün, asla koşmayın.

## ΦΥΛΑΞΤΕ ΑΥΤΕΣ ΤΙΣ ΟΔΗΓΙΕΣ!

## ΠΡΟΔΙΑΓΡΑΦΕΣ

Voltaj	56 V ---	
Yüksüz hız	5000/6000 dak <sup>-1</sup>	
Kesim Mekanizması	Çarpma Başı	
Kesim Misinalı Türü	2,4mm naylon bükülü misina	
Kesim Genişliği	38 cm	
Ağırlık (pil paketi hariç)	4,21Kg	
Ölçülen ses güç düzeyi L <sub>WA</sub>	94,3 dB(A) K=1,37 dB(A)	
Operatörün kulağına gelen ses basıncı seviyesi L <sub>PA</sub>	82,6 dB(A) K= 3 dB(A)	
Garanti edilen ses güç düzeyi L <sub>WA</sub> (2000/14/EC'ye göre)	96 dB(A)	
Titreşim a <sub>n</sub>	Ön Yardım Kolu	3,97 m/s <sup>2</sup> K=1,5 m/s <sup>2</sup>
	Arka Tutma Sapı	2,78 m/s <sup>2</sup> K=1,5 m/s <sup>2</sup>

## PAKET LİSTESİ

PARÇAADI	MİKTAR
Misinalı çim biçme makinesi	1
Koruma	1
Ön yardımcı kol montajı	1
Alyen anahtar	1
Çok işlevli anahtar	1
Omuz askısı	1
Kullanma kılavuzu	1

## AÇIKLAMA

### MİSİNALI ÇİM BİÇME MAKİNESİNİZİ TANIYIN (Şek. A)

1. Sınır Halkası
2. Tetik
3. Arka Kol
4. Hava Girişi
5. Kilitleme Düğmesi
6. Yüksek/düşük Hız Anahtar
7. Omuz Kayısı Asma Askısı
8. Ayarlanabilir Ön Yardım Kolu
9. Omuz Askısı
10. Çok İşlevli Anahtar
11. Alyen Anahtar
12. Çim Biçme Makinesi Başlığı (Çarpma Başı)
13. Kesim Misinalı
14. Açma Tırnağı
15. Misina Kesme Bıçağı
16. Koruma
17. Çıkarma Mekanizması
18. Elektrik Kontakları
19. Mandal
20. Kauçuk Ped Koruma
21. Akü Çıkarma Düğmesi

## MONTAJ

**⚠ UYARI:** Hasarlı veya eksik parça varsa, bu parçaları değiştirilinceye kadar ürünü çalıştırmayın. Bu ürünün hasarlı veya eksik parçalar ile kullanılması ciddi kişisel yaralanmalara yol açabilir.

**⚠ UYARI:** Bu ürün üzerinde değişiklik yapmaya veya bu misinalı çim biçme makinesi ile kullanılması önerilmeyen aksesuarlar oluşturmaya çalışmayın. Bu tür değişiklikler veya modifikasyonlar hatalı kullanımdır ve ciddi kişisel yaralanmalara neden olabilen tehlikeli durumlara neden olabilir.

**⚠ UYARI:** Ciddi kişisel yaralanmalara neden olabilen yanlışlıkla çalışmayı önlemek için, parçaları monte ederken aküyü mutlaka aletten çıkarın.

## KORUMANIN TAKILMASI

**⚠ UYARI:** Koruyucu monte edilirken veya değiştirilirken daima eldiven takın. Koruyucu üzerindeki bıçağa ve elinizin kesilmesine dikkat edin.

**⚠ UYARI:** Aleti asla koruması düzgün şekilde takılı değilken kullanmayın. Koruyucu, kullanıcıyı korumak için daima alete takılı durumda olmalıdır! Koruyucu takılıyken, asla koruyucuyu çıkarmaya veya ayarlamaya çalışmayın, değiştirilmesi gerekirse, yetkili bir servis teknisyeni tarafından gerçekleştirilmelidir!

1. Korumadaki iki vidayı gevşetin ve çıkarın (Şek. B).
2. Koruyucu montaj delikleri ile montaj deliklerini hizalayın ve iki yaylı rondela ile birlikte iki vida yardımıyla koruyucuyu mil tabanına sabitleyin (Şek. C).

**DİKKAT:** Korumanın Şek. B ve C'ye göre sabitlendiğinden emin olun, herhangi bir ters sabitleme büyük bir tehlikeye sebep olur!

## ÖN YARDIM KOLUNUN TAKILMASI VE AYARLANMASI

1. Ön yardım kolundaki kilitleme pimini gevşetin ve kilitleme pimini ve kelebek somunu ön yardım kolundan çıkarın (Şek. D).

Şek. D parçalarının açıklaması aşağıdaki gibidir:

D-1	Kilitleme pimi	D-3	Mengene Bloğu
D-2	Ön Yardım Kolu	D-4	Kelebek Somunu

2. Ön yardım kolunu şafta itin (Şek. E).
3. Kol yuvasına sıkıştırma bloğunu sokun (Şek. F).
4. Kilitleme pimini monte edin ve kelebek somunu ile bunları önceden sıkın. Ön ayar kolunun yukarı doğru durduğundan ve arka tutma yerinin üstüne doğru baktığından emin olun (Şek. G).
5. Çalışma esnasında ön kolunuzun düz olduğundan emin olmak için sınır halkası ve etiket arasındaki ön yardım kolunu ayarlayın (Şek. H).
6. Kilitleme piminin kolunu kilitleyin. (Şek. I).

**DİKKAT:** Ön yardım kolu, arka kolun üst kısmına doğru bakacak şekilde yukarı doğru çevrilmelidir.

**⚠ UYARI:** Ön yardım kolunu sadece sınır halkası ve mildeki etiketin arasına sabitleyin.

**⚠ UYARI:** Ön yardım kolu güvenli bir şekilde monte edilmeden aleti kullanmayın.

## OMUZ ASKISININ MONTAJI

Açmak için kayış kancasına basın ve onu omuz kayış asma askısına takın (Şek. J).

## ÇALIŞMA

**⚠ UYARI:** Ürünün kullanımına olan aşinalığınızın sizi dikkatsiz kılmasına izin vermeyin. Bir anlık dikkatsizliğin ciddi yaralanmalara sebep olabileceğini unutmayın.

**⚠ UYARI:** Her zaman işitme korumasının yanı sıra emniyet gözlükleri veya yan korumalı emniyet gözlükleri kullanın. Böyle yapılmaması sonucu gözlerinize fırlayan nesnelere ciddi kişisel yaralanmalara neden olabilir.

**⚠ UYARI:** Bu ürünün üreticisi tarafından tavsiye edilmeyen herhangi bir ataşmanı veya aksesuarı kullanmayın. Tavsiye edilmeyen aksesuarların veya ataşmanların kullanımı ciddi kişisel yaralanmalara sebep olabilir.

**⚠ UYARI:** Ciddi kişisel yaralanmaları önlemek için, aksesuarlara bakım veya onarım, temizlik, değişim yapmadan veya makineden malzeme çıkarmadan önce aküyü çıkarın.

Bu ürünü aşağıda listelenen amaçlar için kullanabilirsiniz:

**Budama:** duvar, çit, ağaç ve kenarlıklarda bulunan çim ve otların temizlenmesi için kullanılır.

**Kesim:** normal çim biçme makinesi ile ulaşılması zor olan çimlerin kesilmesi için kullanılır.

**DİKKAT:** Makine sadece belirtilen kullanım amacına uygun kullanılmalıdır. Diğer kullanım şekilleri, örneğin kenar budama, hatalı kullanım olarak kabul edilir.

## AKÜNÜN TAKILMASI/ÇIKARILMASI

### İlk kullanımdan önce tamamen şarj edin

### Takmak için

Akünün çıkıntıları ile montaj yuvalarını hizalayın ve "tık" sesi duyuncaya kadar aküyü aşağıya bastırın (Şek. K).

## Çıkarmak İçin

Şek. L'de gösterildiği gibi akü çıkarma düğmesine basın ve aküyü çekip çıkarın.

Şek. L parça açıklaması aşağıdaki gibidir:

L-1	Akü Çıkarma Düğmesi
-----	---------------------

## MİSİNALI ÇİM BİÇME MAKİNESİNİN TUTULMASI

**⚠ UYARI:** Bu cihazı kullanırken yaralanma riskini azaltmak için uygun şekilde giyin. Bol giysiler giymeyin veya takı takmayın. Göz ve kulak/işitme koruması kullanın. Dayanıklı uzun pantolon, eldiven ve bot giyin. Kısa pantolon, sandalet giymeyin veya çıplak ayakla çalışmayın. Çalıştırmadan önce, çalışma konumunda durun ve göz koruması, uygun giyim, dengeli bir duruş, ön yardım kolunu tutan düz kolu kontrol edin.

**DİKKAT:** Kesim başlığı operatör eğilmeden uygun kesim mesafesinde yere paralel olacak şekilde tutulmalıdır (Şek. N).

Güvenli ve daha iyi çalışma için, Şek. N'de gösterildiği gibi omuz askısını omzunuza takın. Omuz askısını rahat bir çalışma konumunda olacak şekilde ayarlayın. Misinali çim biçme makinesini her iki elinizle tutun: Bir eliniz arka tutma sapında ve diğer eliniz ön destek kolunda olmalıdır.

Askiyi çıkarmak için iki yöntem vardır. Doğrudan omuzunuzdan çıkarın (Şek. O) veya kayışın kancasına bastırarak mil üzerine takılı omuz kayışı asma askısından ayırın (Şek. P).

**⚠ UYARI:** Omuz askısı ayrıca tehlikeli durumlarda hızla çıkarılabilen bir mekanizmadır. Acil bir durumda, askiyi hangi şekilde takılı olursa olsun derhal omuzunuzdan çıkarın.

## MİSİNALI ÇİM BİÇME MAKİNESİNİ ÇALIŞTIRMA/ DURDURMA (Şek. M)

### Çalıştırmak için

Kilitleme kolunu bastırın, ardından tetik düğmesine basın. Tetiğe farklı baskı düzeylerinde basılması kesim misinasının farklı dönüş hızlarında dönmeye sağlar. Ne kadar güçlü basılırsa hız o kadar artar.

### Durdurmak için

Tetiği bırakın.

**DİKKAT:** Motor sadece kilitleme düğmesi ve tetiğin her ikisi de basıldığında çalışır.

**⚠ UYARI:** Mola verdiğinizde ve işiniz bittikten sonra daima aküyü çim biçme makinesinden çıkarın.

## Hız Ayar Fonksiyonu (Şek. M)

Misinali çim biçme makinesinde iki hız ayarı vardır. "1" pozisyonu düşük hız için, "2" pozisyonu ise yüksek hız içindir. Çalışma sırasında uygun hızı seçmek için yüksek/ düşük hız anahtarını itin veya çekin.

Şek. M parça açıklaması aşağıdaki gibidir:

M-1	Yüksek/düşük Hız Anahtarını
M-2	Kilit Açma Düğmesi
M-3	Tetik

## MİSİNALI ÇİM BİÇME MAKİNESİNİN KULLANIMI

**⚠ UYARI:** Ciddi kişisel yaralanmayı önlemek için, bu cihazı kullanırken daima göz koruması veya koruyucu gözlük takın. Çalışma ortamı tozluysa, yüz veya toz maskesi takın.

Her kullanımdan önce kesilecek alanı temizleyin. Kesim parçalarına takılabilecek veya fırlatılabilecek taş, kırık cam, çivi, tel veya sicim vb. tüm nesnelere temizleyin. Çocukları, üçüncü şahısları ve evcil hayvanları çalışma alanından uzak tutun. Çocukları, üçüncü şahısları ve evcil hayvanları çalışma alanından en az 15 metre uzak tutun; üçüncü şahısların fırlayan nesnelere yaralanma riski bu mesafeye rağmen hala olabilir. Üçüncü şahısların göz koruması kullanmaları önerilir. Çalışırken yanınıza yaklaşan kimselerin olması durumunda derhal motoru ve kesici parçaları durdurun.

### Her kullanımdan önce hasarlı/aşınmış parça olup olmadığını kontrol edin.

Çarpma başlığını, koruyucuyu ve ön yardım kolunu kontrol edin ve çatlak, kırılmış, eğik veya hasarlı kesim parçalarını değiştirin.

Koruyucunun kenarındaki misina kesim bıçağı zamanla körelebilir. Bu bıçağı düzenli olarak bir eğe ile bilemeniz veya yeni bir bıçakla değiştirmeniz önerilir.

**⚠ UYARI:** Bıçaklara bakım yaparken veya muhafazayı monte ederken daima eldiven takın. Koruyucu üzerindeki bıçağa ve elinizin kesilmemesine dikkat edin.

### Her kullanımın ardından, çim biçme makinesini temizleyin.

**⚠ DİKKAT:** Hava deliklerindeki tıkanıklıklar motor gövdesindeki hava akımını engelleyerek aşırı ısınmaya ve motor hasarına neden olabilir.

- Aleti temizlemek için sadece nemli bir bez ve yumuşak bir temizleyici kullanın. Asla cihaza su girmesine izin vermeyin; aletin herhangi bir parçasını sıvıya daldırmayın.

- Motor gövdesindeki hava deliklerinin her zaman temiz kalmasını sağlayın.

**UYARI:** Çim biçme makinesini temizlemek için asla su kullanmayın. Plastik parçaları temizlerken çözücü maddeler kullanmaktan kaçının. Çoğu plastik parça çeşitli tip ticari solventlerden zarar görebilir. Kir, toz, yağ, gres, vb. gidermek için temiz bez kullanın.

## KESİM İPİ UZUNLUĞUNUN AYARLANMASI

Çim biçme makinesi başlığı operatörün motoru durdurmaya gerek kalmadan kesim ipini salmasına olanak sağlar. Misina aşırır veya yıpranırsa, çim biçme makinesi çalışır durumdayken çim biçme başlığını hafifçe yere vurarak biraz daha misina salmak mümkündür (Şek. Q).

**DİKKAT:** Kesim misinası kısaltıkça misinanın salınması zorlaşır.

**UYARI:** Misina kesim bıçak donanımını çıkarmayın veya değiştirmeyin. Aşırı uzun kesim ipi motorun aşırı ısınmasına neden olabilir ve ciddi kişisel yaralanmaya yol açabilir.

## MİSINANIN DEĞİŞTİRİLMESİ

**DİKKAT:** Daima 2,4 mm'yi aşmayan bir çapa sahip naylon kesim ipi kullanılması önerilir. Belirtilenin dışında kesim ipi kullanımı kesim makinesinin aşırı ısınmasına veya hasar görmesine neden olabilir.

**UYARI:** Asla metal takviyeli misina, tel, ip, vb. malzeme kullanmayın. Bunlar koparak tehlikeli biçimde fırlatılabilir.

1. Aküyü çıkarın.
2. Gerekirse, kalan kesim ipini çıkarın.
3. 4m'lik misinayı kesin ve misinayı halka içindeki montaj deliğine yerleştirin (Şek. R). Makaranın her iki tarafında eşit miktarda misina oluncaya kadar misinayı itin ve diğer taraftan çekin.
4. Alt kapak aksamını bastırarak ok yönünde çevirin ve her iki tarafta yaklaşık 14cm misina görününceye kadar misinayı makara üzerine sarın (Şek. S).
5. Alt kapak aksamını aşağı bastırarak misinaları çekin ve kesim başlığının düzgün monte edildiğini kontrol etmek için manuel olarak ilerletin.

Kesim misinası çıkış noktasından kırıldığında veya çim biçme başlığına dokunulduğunda kesim misinası salınmazsa, aşağıdaki adımları izleyin:

1. Üst kapak üzerindeki açma tırnaklarına bastırın ve alt kapak aksamını çekerek çıkarın (Şek. T ve U).
2. Makaradan misinayı çıkarın.

3. Alt kapak aksamını bir elinizle tutarak diğer elinizle alt kapak aksamını kavrayın ve üst kapaktaki sekmeleri alt kapak aksamındaki deliklerle hizalayın (Şek. V); avucunuzu sekmeler üst kapağa kilitlene kadar alt kapak aksamına bastırmak için kullanın.
4. "MİSINANIN DEĞİŞTİRİLMESİ" bölümündeki talimatları izleyerek tekrar misinayı takın.

## BAKIM

**UYARI:** Bakım ve onarım sırasında birebir aynı yedek parçaları kullanın. Diğer parçaların kullanılması tehlike oluşturabilir veya ürünün hasar görmesine neden olabilir. Güvenliği ve güvenilirliği sağlamak için, tüm onarım işlemleri yetkili bir servis teknisyeni tarafından gerçekleştirilmelidir.

**UYARI:** Pille çalışan aletlerin elektrik prizine takılmalarına gerek yoktur; bu nedenle daima çalışır durumdadırlar. Ciddi kişisel yaralanmayı önlemek için, kesim parçaları veya diğer parçalara bakım veya onarım yaparken veya değişim sırasında ekstra önlemler alın ve dikkatli olun.

**UYARI:** Ciddi kişisel yaralanmaları önlemek için, eklenti parçalara bakım veya onarım, temizlik, değişim yapmadan veya makineden malzeme çıkarmadan önce pil takımını çıkarın.

## CİHAZIN TEMİZLENMESİ

- Cihazı nemli bir bez ve yumuşak bir deterjanla temizleyin.
- Plastik gövde veya tutma kolu üzerinde güçlü deterjanlar kullanmayın. Çam ve limon gibi belirli aromatik yağlar ve kerosen gibi çözücü maddeler bu yüzeylere zarar verebilir. Nem nedeniyle elektrik çarpması tehlikesi oluşabilir. Yumuşak kuru bir bezle rutubeti silin.
- Arka gövdedeki hava deliklerini temizlemek için küçük bir fırça veya elektrikli süpürgeci hava çıkışı kullanın.

## TRANSMİSYON DIŞLİLERİNİN YAĞLANMASI

Dişli kutusundaki transmisyon dişlileri periyodik olarak dişli gres yağı ile yağlanmalıdır. Dişli kutusunun gres seviyesini her 50 saatlik çalışmada bir kutunun yanındaki sızdırmazlık vidasını sökerek kontrol edin.

Dişli kenarlarında hiçbir gres görülemezse, aşağıdaki adımları izleyerek dişliye 3/4 kapasiteye kadar gres basın.

Transmisyon dişlilerini tamamen doldurmayın.

1. Çim biçme makinesini, sızdırmazlık vidası yukarı bakacak şekilde yana yatırın (Şek. W).
2. Verilen çok işlevli anahtar kullanarak sızdırmazlık vidasını gevşetin ve sökün.

3. Vida deliğine az miktarda gres enjekte etmek için bir gres şırıngası (ürüne dahil değildir) kullanın; 3/4'lük kapasiteyi aşmayın.
4. Enjeksiyondan sonra sızdırmazlık vidasını sıkın.

## CIHAZIN SAKLANMASI

- Kullanılmadığı zamanlarda, aküyü misinalı çim biçme makinesinden çıkarın.
- Cihazı saklamadan önce tamamen temizleyin.
- Cihazı çocukların ulaşamayacağı kuru, iyi havalandırılmış, kilitli ve yüksek bir yerde muhafaza edin. Gübre, benzin veya diğer kimyasal maddelerin yanında saklamayın.

## Çevre koruması



Elektrikli cihazları, pil şarj cihazını ve pilleri/ şarj edilebilir pilleri evsel atıklarla birlikte atmayın! AB Yasası 2012/19/EU uyarınca, kullanılamaz durumdaki elektrikli ve elektronik cihazlar ve AB Yasası 2006/66/EC uyarınca, arızalı veya kullanılmış pil paketleri/ piller ayrı olarak toplanmalıdır. Elektrikli cihazlar katı atık sahaları veya çöp toplama alanlarına atılırsa, yer altı sularına ve besin zincirine tehlikeli maddeler sızabilir, bu da sağlığınızın bozulmasına yol açabilir.



## SORUN GİDERME

SORUN	SEBEP	ÇÖZÜM
Misinalı çim biçme makinesi başlatılmıyor.	<ul style="list-style-type: none"> <li>■ Akü, çim biçme makinesine takılı değil.</li> <li>■ Çim biçme makinesi ile akü arasında elektrik teması yok.</li> <li>■ Akü boşalmış.</li> <li>■ Kilitleme düğmesi ve tetiğe aynı anda basılmıyor.</li> </ul>	<ul style="list-style-type: none"> <li>■ Aküyü çim biçme makinesine takın.</li> <li>■ Aküyü çıkarın, temas noktalarını kontrol edin ve aküyü yeniden takın.</li> <li>■ Aküyü şarj edin.</li> <li>■ Kilitleme düğmesini basılı tutun, ardından tetik düğmesine basarak misinalı çim biçme makinesini çalıştırın.</li> </ul>
Misinalı çim biçme makinesi kesim yaparken duruyor.	<ul style="list-style-type: none"> <li>■ Çim biçme makinesine koruyucu takılmamış, sonuç olarak aşırı uzun kesim ipi ve motorun aşırı ısınması söz konusu.</li> <li>■ Ağır kesim ipi kullanılıyor.</li> <li>■ Motor mili veya çim biçme başlığı çimler nedeniyle tutukluk yapıyor.</li> <li>■ Motor aşırı yüklenmiş.</li> <li>■ Akü veya misinalı çim biçme makinesi çok sıcak.</li> <li>■ Akü ile aletin bağlantısı kesilmiş.</li> <li>■ Akü boşalmış.</li> </ul>	<ul style="list-style-type: none"> <li>■ Aküyü çıkarın ve koruyucuyu çim biçme makinesine monte edin.</li> <li>■ Çapı en fazla 2,4 mm olan naylon kesim misinası kullanmanız önerilir.</li> <li>■ Çim biçme makinesini durdurun, aküyü çıkarın ve motor mili ve çim biçme başlığındaki çimleri temizleyin.</li> <li>■ Çim biçme başlığını çimlerden kaldırın. İş yükü kalkar kalkmaz motor eskisi gibi çalışacaktır. Kesim yaparken, çim biçme başlığını kesilecek çimlerde ileri-geri hareket ettirin ve tek bir kesimde en fazla 20 cm uzunlukta kesim yapın.</li> <li>■ Akü veya çim biçme makinesinin 67°C'nin altına düşene kadar soğumasını bekleyin.</li> <li>■ Aküyü yeniden takın.</li> <li>■ Aküyü şarj edin.</li> </ul>

SORUN	SEBEP	ÇÖZÜM
Çim biçme başlığı misinayı ilerletmiyor.	<ul style="list-style-type: none"><li>■ Motor mili veya çim biçme başlığı çimler nedeniyle tutukluk yapıyor.</li><li>■ Makarada yeterli misina yok.</li><li>■ Çim biçme başlığı kirlidir.</li><li>■ Misina makara tutucuya dolanmış.</li><li>■ Misina çok kısa.</li></ul>	<ul style="list-style-type: none"><li>■ Çim biçme makinesini durdurun, aküyü çıkarın ve motor mili ve çim biçme başlığını temizleyin.</li><li>■ Aküyü çıkarın ve bu kılavuzdaki "MİSİNANIN DEĞİŞTİRİLMESİ" bölümünü izleyerek kesim ipini değiştirin.</li><li>■ Aküyü çim biçme makinesinin başlığından çıkarın.</li><li>■ Aküyü çıkarın ve bu kılavuzdaki "MİSİNANIN TAKILMASI" bölümünü izleyerek misinayı çim biçme makinesinin kafasından çıkarın ve yeniden sarın.</li><li>■ Aküyü elle çıkarın ve ardı ardına makine kafasına basarak ve serbest bırakarak misinaları çekin.</li></ul>
Çimler, çim biçme başlığının etrafına ve motor gövdesine doluyor.	<ul style="list-style-type: none"><li>■ Uzun çimler zemin seviyesinde kesiliyor.</li></ul>	<ul style="list-style-type: none"><li>■ Uzun çimleri üstten alta doğru kesin, dolanmayı önlemek için her geçişte en fazla 20 cm kesin.</li></ul>
Çim biçme başlığında çatlaklar mevcut veya alt kapak aksami üst kapaktan gevşemiş.	<ul style="list-style-type: none"><li>■ Çim biçme başlığı aşınmış.</li></ul>	<ul style="list-style-type: none"><li>■ Çim biçme başlığının derhal bir yetkili servis teknisyeni tarafından değiştirilmesini sağlayın.</li></ul>

## GARANTİ

### EGO GARANTİ POLİTİKASI

EGO Garanti politikasına ilişkin tüm hüküm ve koşullar için, lütfen [egopowerplus.com](http://egopowerplus.com) adresindeki web sitemizi ziyaret edin.

## LUGEGE KÕIKI JUHISEID!



### LUGEGE KASUTUSJUHENDIT

**⚠ Kaasnev risk!** Inimesed, kes kasutavad elektroonilisi seadmeid, nt südamestimulaatorit, peaksid enne selle toote kasutamist konsulteerima oma arstiga. Elektriseadmete kasutamine südamestimulaatori läheduses võib põhjustada südamestimulaatori häireid või rikkeid.

**⚠ HOIATUS:** Ohutuse ja töökindluse tagamiseks tohivad seda seadet remontida ainult vastava kvalifikatsiooniga hooldustehnikud.

## OHUTUSSÜMBOLID

Ohutussümbolite eesmärk on tõmmata teie tähelepanu võimalikele ohtudele. Ohutussümbolitele ja nende juures olevatele seletustele tuleb korralikult tähelepanu pöörata ja need endale selgeks teha. Ohutussümbolid iseenesest ei kõrvalda ohu olemasolu. Tõdemega kaasnevad juhendid ja hoiatused ei asenda korralikke õnnetuste vältimise meetmeid.

**⚠ HOIATUS:** Enne käesoleva seadme kasutamist lugege kindlasti läbi ja tehke endale selgeks kõik Kasutusjuhendis toodud ohutusjuhised, sh kõik ohutussümbolid nagu „OHT,“ „HOIATUS,“ ja „ETTEVAATUST“. Kui te ei järgi kõiki allpool toodud juhiseid, võib tekkida elektrilöögi, tulekahju ja/või raske kehavigastuse oht.

## SÜMBOLITE TÄHENDUSED

**TURVATEATE SÜMBOL** Tähistusega OHT, HOIATUS, või ETTEVAATUST. Võidakse kasutada koos teiste sümbolite või piktograafidega.



**⚠ HOIATUS:** Mis tahes elektriliste tööriistade kasutamine võib põhjustada võrkehade paiskumist silma, mis võib põhjustada tõsiseid silmakahjustusi. Kandke elektriliste tööriistade kasutamise ajal alati külgkaitsetega kaitseprille ja vajadusel täielikku näokaitset. Soovitame kanda prillide peal laia vaatealaga kaitsemaski või tavalisi külgkaitsetega kaitseprille.

## OHUTUSJUHISED

Sel lehel on kujutatud ja kirjeldatud ohutusesümbolite, mida võib käesolevalt tootelt leida. Enne, kui üritate masinat kokku panna ja kasutada, lugege, tehke omale selgeks ja järgige kõiki juhiseid.

	Ohutus-teade	Viitab kehavigastuste ohule.
	Lugege kasutus-juhendit	Vigastuste ohu vähen-damiseks peab kasutaja enne toote kasutamist lugema kasutusjuhendit ja selle endale selgeks tegema.
	Kandke kaitseprille	Kasutage seadmega tööta-des alati kuulmiskaitset.
	Kasutage kõrvade kaitsevahendeid	Kasutage seadmega tööta-des alati kuulmiskaitset.
	Lõiketera ei ole	Ärge paigaldage metallist või plastikut lõiketerasid
	Ärge laske kellelgi töö ajal enda lähedal seista	Jõhvtrimmeriga töötamise ajal ei tohi vähemalt 15 m raadiuses olla loomi ega teisi inimesi.
	Ärge laske kellelgi töö ajal enda lähedal seista	Jõhvtrimmeriga töötamise ajal ei tohi vähemalt 15 m raadiuses olla loomi ega teisi inimesi.
	Müra	Helirõhu tase
	Kaitseklass	Kaitstud igast suunast tulevate pritsmete vastu
V	Volt	Pinge
mm	Millimeeter	Pikkus või suurus
cm	Sentimeeter	Pikkus või suurus
	Alalisvool	Voolu tüüp või omadus
n <sub>0</sub>	Tühikäigu kiirus	Tühikäigu pöörlemiskiirus

min <sup>-1</sup>	Minutis	Pööret minutis
-------------------	---------	----------------

## OLULISED OHUTUSJUHISED

**⚠ HOIATUS!** Elektriliste trimmerite kasutamisel tuleb alati järgida elementaarseid ohutusnõudeid. Sedasi väldite tulekahju, elektrilöögi ja vigastuste ohtu.

## LUGEGE KÕIKI JUHISEID

**⚠ OHT!** Ärge eeldage, et tööriista isolatsioonikiht tagab täieliku kaitse elektrilöögi eest. Elektrilöögi ohu vähendamiseks ärge kasutage tööriista niisuguste juhtmete ega kaablite läheduses, mis võivad olla voolu all.

**⚠ ETTEVAATUST:** Töö ajal kasutage sobivat kuulmiskaitset. Mõne kasutustingimuse ja kasutamise kestuse korral võib selle toote müra kaasa aidata kuulmiskaotusele.

## KOOLITUS

- Lugege juhend hoolikalt läbi. Tutvuge juhtseadmetega ja seadme korrektse kasutamise põhimõtetega.
- Ärge lubage seadet kasutada lastel ega inimestel, kes pole tutvunud käesoleva juhendiga. Kohalikud seadused võivad seada seadme kasutajatele vanusepiiranguid.
- Pidage meeles, et seadme kasutaja vastutab teiste inimeste või nende varaga juhtivate õnnetuste eest.

## ETTEVALMISTUS

- Ärge kasutage seadet teiste inimeste (eriti laste) või loomade läheduses.
- Töö ajal kasutage alati silmade kaitsevahendeid ja tugevaid kingi.
- Vahemaa seadme ja kõrvalseisjate vahel peab olema vähemalt 15 m.
- Ärge kasutage metallist teri.

## KASUTAMINE

- Kasutage seadet ainult päevasel ajal või hea kunstliku valgustusega.
- Ärge kasutage seadet, mille kaitsepiirded või -katted on kahjustatud või puuduvad.
- Mootori sisselülitamisel hoidke käed ja jalad lõikedetailidest eemal.
- Eemaldage seade alati vooluvõrgust (s.t võtke pistik pistikupesast välja või eemaldage blokeeriv seade),
  - kui jätate selle järelvalveta.
  - Enne ummistuse eemaldamist;

- Enne seadme puhastamist, kontrollimist või seadistamist;
- Pärast võrkehaga pörkimist.
- Kui seade hakkab ebanormaalselt vibreerima.
- Jälgige, et lõikeseadme ei vigastaks teie käsi või jalgu.
- Jälgige, et ventilatsioonivad oleksid kogu aeg puhtad.

## HOOLDUS JA HOUSTAMINE

- Enne hooldus- või puhastustoimingute alustamist eemaldage seade vooluvõrgust (s.t võtke pistik pistikupesast välja või eemaldage blokeeriv seade),
- Kasutage ainult tootja soovitatud tarvikuid ja -varuosid.
- Kontrollige ja hooldage seadet regulaarselt. Laske seadet remontida ainult volitatud remonditöökojas.
- Kui seadet ei kasutata, hoidke seda lastele kättesaamatus kohas.

## MUUD TURVAHOIATUSED

- Välitge ohtlikke keskkondi – ärge kasutage trimmereid märgades või niisketes kohtades..
- Kui lahkute trimmeri juurest, lülitage see alati välja või eemaldage akuplokk.
- Ärge kasutage seadet vihma ajal.
- Hoidke lapsed sellest seadmest eemal – Kõrvalseisjad peavad olema tööpiirkonnast ohutul kaugusel.
- Riietuge asjakohaselt – ärge kandke ehteid ega avaraid riideid. Need võivad liikuvate osade vahele kinni jääda. Välitingimustes töötades on soovitatav kasutada kummikindaid ja tugevaid jalaõusid. Pikkade juuste puhul kasutage peakatet, mille sisse mahuvad ka juuksed.
- Kandke kaitseprille – seadme kasutamisel kasutage alati kaitseprille.
- Kasutage sobivat seadet - tööriista tohib kasutada vaid niisuguste tööde jaoks, milleks see on ette nähtud.
- Ärge rakendage trimmeriga töötades ülemäärast jõudu. Seade töötab paremini ja turvaliselt, kui seda kasutatakse ettenähtud kiirusel.
- Ärge küünitage liigselt – töötage ainult kindlal maapinnal ja kohtades, kus pole ohtu tasakaalu kaotada.
- Olge tähelepanelik ja keskendunud Rakendage tervet mõistust. Ärge kasutage trimmerit väsinuna.
- Ärge töötage trimmeriga, kui olete kasutanud alkoholi või narkootikume.
- Hoidke piirded omal kohal ja töökorras.
- Hoidke trimmereid sisetingimustes – Kui trimmerit ei kasutata, tuleks seda hoida kuivas ja kõrges lukustatud ning lastele ligipääsmatus kohas ilma akuplokita.
- Hooldage trimmerit hoolikalt – Parimate töö tulemuste saavutamiseks ja vigastuste ohu vähendamiseks hoidke

lõiketera puhtana. Järgige komponentide vahetamise juhiseid. Hoidke käepidemed kuivana, puhtana ja vältige õli ja rasva sattumist seadmele.

- Kontrollige kahjustatud osi enne kui seadme kasutamist jätkate. Kahjustatud piiret või muud detaili tuleb hoolikalt kontrollida, et veenduda, et detail toimib korrektselt ja täidab oma funktsiooni. Kontrollige, kas liikuvad komponendid on korrektselt joondatud ja ega ükski osa paindunud pole ning jälgige ka muid aspekte, mis võiksid seadme omadusi mõjutada. Kahjustatud kate või muu kahjustatud detail tuleks korrektselt parandada või asendada ametlikus hoolduskeskuses, välja arvatud juhul, kui selles juhendis pole öeldud teisiti.
- Enne töö alustamist puhastage tööpiirkond vöörkehast. Eemaldage tööpinna kõik, kivid, klaasikillud, naelad, juhtmed ja nõõrid, mis võivad seadme külge või sisse kinni jääda. Veenduge, et 15 meetri raadiuses pole teisi inimesi ega loomi.
- Alati enne seadme kasutamist ja pärast kokkupuudet takistusega kontrollige seadme kulumust ja vajadusel remontige seda.
- Töö ajal hoidke alati kahe käega tugevalt trimmeri käepidemetest kinni. Pange sõrmed ümber käepideme.
- Vältige seadme juhuslikku käivitamist - ärge kandke trimmerit sõrme päästikul hoides.
- Ärge kasutage trimmerit keskkonnades, kus leidub bensiniaure või mis on muul põhjusel plahvatusohtlikud. Seda tüüpi seadmete mootorid tekitavad sädemeid, mis võivad aurud süüdata.
- Trimmeri kahjustamine - kui tabate trimmeriga vöörkeha või vöörkeha jääb trimmeri külge kinni, seisake tööriist koheselt, eemaldage akuplokk, kontrollige võimalikke kahjustusi ja vajadusel laske seade enne töö jätkamist remontida. Ärge kasutage seadet, mille kaitsepiire või pool on katki.
- Kui seade peaks ebanormaalselt vibreerima hakkama, peatage mootor, eemaldage akuplokk ja otsige koheselt vibreerimise põhjust. Vibratsioon hoiatab tavaliselt ohu eest. Lahtine lõikepea võib vibreerida, möraneda, murduda või trimmeri küljest ära tulla. Selle tulemuseks võivad olla rasked või sumuvad kehavigastused. Veenduge, et lõikeseadme asend on korrektselt fikseeritud. Kui lõikepea tuleb pärast kohale fikseerimist lahti, vahetage see kohe välja. Ärge kunagi kasutage lahtise lõikeseadmega trimmerit.
- Möranened, kahjustunud või kulunud lõikepea tuleb koheselt välja vahetada isegi kui kahjustuseks on vaevumärgatav möra. Niisugused lisaseadmed võivad suurel kiirusel puruneda ja põhjustada raskeid või sumavaid vigastusi.

- Kontrollige lõikeseadme seisukorda regulaarselt ja sagedasti või koheselt kui ilmneb märgatav muutus lõikeseadmete töös.
- Kasutage ainult originaalset EGO™ polümeerist trimmeri jõhvi tarvikuid ja jõhvi, mis on mõeldud selle trimmeri jaoks. Kuigi mõnede mittelubatud tarvikute ühendamine EGO™ jõhvitrimmeri külge võib võimalik olla, on nende kasutamine väga ohtlik ja/või võib kahjustada tööriistu.
- Raskete vigastuste ohu vältimiseks ärge kunagi kasutage nailonist jõhvi asemel traadipõhist või metalltugevdusega jõhvi. Traaditükid võivad murduda ja suurel kiirusel seadme kasutaja või kõrvalseisjate suunas paiskuda.
- Selleks, et vähendada võimalikke seadme üle kontrolli kaotamisest tulenevaid ohte, ärge kunagi kasutage seda seadet, kui seisate redelil või muul ebakindlal pinnal. Ärge kunagi hoidke lõiketera vöökohast kõrgemal.
- Kui esineb olukordi, mis pole käesolevas juhendis kirjeldatud käituge hoolsalt ja lähtuge tervest mõistusest. Küsige abi EGO hoolduskeskusest.
- Ärge laadige akuplokki niisketes ega märgades tingimustes.
- Kasutage ainult EGO akuplokke ja laadijaid.

AKUPLOKK	LAADIJA
BA1120E, BA1400, BA2240E BA2800, BA3360, BA4200, BA1400T, BA2800T, BA4200T	CH2100E, CH5500E

- Akuplokk tuleb seadmelt enne selle tööea lõppu eemaldada.
- Aku käitlemisel tuleb järgida ohutusreegleid.
- Ärge hävitage akusid põletamise teel. Need võivad plahvatada. Uurige kohalike ametiasutustelt võimalikke erijuhtumiseid akude ja patareide kõrvaldamiseks.
- Ärge avage ega lõhkuge akut. Väljuv elektrolüüt on korrodeeriv ning võib silmi ja nahka vigastada. Allaneelamisel võib see mürgine olla.
- Akude käsitsemisel olge hoolikas ja jälgige, et te ei lühista akut elektrit juhtivate esemete (nt sõrmuste, käevõrude, võtmete) abil. Aku või elektrit juhtiv ese võib üle kuumeneda ja põhjustada põletushaavu.
- Remondiks võib kasutada ainult identseid EGO™ originaalvaruosi. Ükskõik missuguse muu tarviku või lisakomponendi kasutamine suurendab vigastuste tekkimise ohtu.
- Akuga töötavada tööriistu pole vaja vooluvõrku ühendada, seega on nad alati töörežiimis. Olge teadlik võimalikest ohtudest ka ajal, mil tööriist pole sisse lülitatud. Seadme hooldamise või remontimise ajal olge ettevaatlik.

- Ärge puhastage trimmerit voolikuga, vältige vee sattumist mootorisse ja elektriühenduste peale.
- Hoidke see kasutusjuhend alles. Lugege seda sageli ning kasutage seda, et seadet sageli kasutavaid isikuid välja õpetada. Kui te seadet kellelegi laenate, andke sellega kaasa ka käesolev kasutusjuhend, et vältida seadme väärkasutamist ja võimalikke vigastusi.
- Selle seadme kasutamise ajal kandke alati tugevaid jalatseid ja pikki pükse.
- Jälgige jalgealust kallakutel ja liikuge kõndides mitte joostes.

## HOIDKE SEE KASUTUSJUHE ALLES!

## SPETSIFIKATSIOONID

Pinge	56 V ---	
Tühikäigu kiirus	5000/6000 min <sup>-1</sup>	
Lõikemehhanism	Muhuga pea	
Lõikejõhvi tüüp	2,4mm nailonist jõhv (keerdu-musega)	
Lõikelaius	38 cm	
Mass (ilma akuplokita)	4,21Kg	
Möödetud helirõhu tase L <sub>WA</sub>	94,3 dB(A) K=1,37 dB(A)	
Helirõhk seadme operaatori kõrva juures L <sub>PA</sub>	82,6 K= 3 dB(A)	
Garanteeritud helirõhk L <sub>WA</sub> (vastavalt 2000/14/EÜ)	96 dB(A)	
Vibratsioon a <sub>n</sub>	Tagumine käepide	3,97 m/s <sup>2</sup> K=1,5 m/s <sup>2</sup>
	Eesmine abikäepide	2,78 m/s <sup>2</sup> K=1,5 m/s <sup>2</sup>

## PAKENDI LOEND

OSA NIMI	KOGUS
Jõhvtrimmer	1
Kaitsepiire	1
Eesmise abikäepideme moodul	1
Kuuskantvõti	1
Mitmeotstarbeline mutrivõti	1
Õlarihm	1

Kasutusjuhend	1
---------------	---

## KIRJELDUS

### TUNNE OMA JÕHVTRIMMERIT (joon. A)

1. Läve rõngas
2. Päästik
3. Tagumine käepide
4. Õhu sissevõtuava
5. Lukustusnupp
6. Suure/madala kiiruse nupp
7. Õlarihma Kinnitusaaas
8. Reguleeritav eesmine abikäepide
9. Õlarihm
10. Mitmeotstarbeline mutrivõti
11. Kuuskantvõti
12. Trimmeripea (muhuga pea)
13. Lõikejõhv
14. Vabastussakk
15. Jõhvi Lõiketera
16. Kaitsepiire
17. Väljutusmehhanism
18. Elektrikontaktid
19. Riiv
20. Kummipadjast kaitse
21. Akuvabastusnupp

## KOKKUPANEK

**⚠ HOIATUS:** Kui mõni osa on kahjustatud või puudub, ärge kasutage seadet enne, kui see osa on parandatud. Kasutades kahjustatud või vajalike komponentideta seadet, võite saada raskeid vigastusi.

**⚠ HOIATUS:** Ärge üritage seadet ümber ehitada ega kasutada lisatarvikuid, mis pole mõeldud kasutamiseks selle jõhvtrimmeriga. Kõik niisugused muudatused loetakse väärkasutuseks ja need võivad põhjustada ohtlikke olukordi, mis lõppevad raskete vigastustega.

**⚠ HOIATUS:** Raskeid vigastusi põhjustada võiva juhusliku käivitumise vältimiseks eemaldage seadmeosade kokkupaneku ajaks alati akuplokk.

## KAITSEPIIRDE PAIGALDAMINE

**⚠ HOIATUS:** Piirde paigaldamise või vahetamise ajal kasutage alati kindaid. Jälgige tera liikumist ja olge ettevaatlik, et te ei vigastaks oma käsi.

**⚠ HOIATUS:** Ärge kasutage tööriista, mille turvapiire pole korrektselt paigaldatud. Kasutaja turvalisuse huvides peab piire kogu aeg kinnitatud olema. Piirde paigaldamise järgselt ärge kunagi üritage piiret eemaldada ega kohandada. Väljavahetamise vajaduse korral peab seda tegema kvalifitseeritud tehnik!

1. Keerake lahti ja eemaldage kaks kaitsepiirde küljes olevat kruvi (joon. B).
2. Joondage kaitsepiirde paigaldusaugud aluse aukudega ja kinnitage kaitsepiire nende kahe kruvi ning kahe vedruseibi abil aluse külge (joon. C).

**MÄRKUS:** Veenduge, et piire on kinnitatud vastavalt joonistel B ja C antud juhiste. Juhiste mittejärgimine tekitab väga ohtliku olukorra.

## EESMISE ABIKÄEPIDEME PAIGALDAMINE JA REGULEERIMINE

1. Keerake eesmise abikäepideme lukustusdetaili lahti ning eemaldage see lukustusdetail ja tiibmutter eesmise abikäepideme küljest (joon. D).

Joonise D osade kirjeldus, vt allapoole:

D-1	lukustusdetail	D-3	Kinnitusplokk
D-2	Eesmine abikäepideme	D-4	Tiibmutter

2. Lükake eesmise abikäepideme varrele (joon. E).
3. Sisestage kinnitusplokk käepideme pesasse (joon. F).
4. Kinnitage lukustusdetaili ja eelpingutage need tiibmutriga. Veenduge, et eesmine abikäepideme on suunatud ülespoole ja tagumise käepideme ülaosa suunas (joon. G).
5. Reguleerige eesmist abikäepidemat läve rõnga ja sildi vahel ning veenduge, et saate kätt kasutamise ajal sirgelt hoida (joon. H).
6. Lukustage lukustusdetaili hoob. (joon. I).

**MÄRKUS:** Eesmine abikäepideme tuleks pöörata ülespoole, nii et see oleks suunatud tagumise käepideme tipu poole.

**⚠ HOIATUS:** Kinnitage eesmine abikäepideme varrele ainult läve rõnga ja sildi vahelisele alale.

**⚠ HOIATUS:** Seda tööriista ei tohi kasutada, kui eesmine abikäepideme pole kindlalt kinnitatud.

## ÕLARIHMA PAIGALDAMINE

Vajutage rihma haagile, et see avada, ja ühendage see õlarihma kinnitusaasaga (joon. J).

## SEADME KASUTAMINE

**⚠ HOIATUS:** Ärge muutuge toodet tundma õppides hooletuks. Pidage meeles, et raskeid vigastusi põhjustavaks õnnetuseks piisab ka sekundi murdosa pikkusest tähelepanematusast.

**⚠ HOIATUS:** Kandke alati kaitseprille või küljekaitsetega kaitseprille ning kuulmiskaitsevahendeid. Vastasel korral võib teile midagi silma paiskuda ja võite saada ka muud laadi raskeid vigastusi.

**⚠ HOIATUS:** Ärge kasutage lisaseadmeid või -tarvikuid, mida selle seadme valmistaja pole soovitanud. Mittesoovituslike lisaseadmete või -tarvikute kasutamine võib põhjustada raskeid kehavigastusi.

**⚠ HOIATUS:** Rasketel vigastustel vältimiseks eemaldage alati aku, enne kui asute seadet remontima, puhastama, tarvikuid vahetama või kinni jäänud objekte eemaldama.

Seda toodet võite kasutada allpool loetletud eesmärkidel:

**Trimmerdamine:** seinte, aedade, puude ja piirete ääres kasvava rohu eemaldamiseks.

**Lõikamine:** sellise rohu lõikamiseks, millele on tavalise niiduki abil keeruline ligi pääseda.

**MÄRKUS:** Seadet tohib kasutada vaid käesolevas juhendis lubatud eesmärgil. Igasugust muud kasutust (nt servade lõikamist) loetakse väärkasutuseks.

## AKUPLOKI PAIGALDAMINE/EEMALDAMINE

**Laadige enne esimest kasutamist täielikult.**

### Paigaldamiseks

Joondage aku sooned paigaldusavadega ja suruge akuploki alla, kuni kuulete klõpsatust (joon. K).

### Eemaldamiseks

Vajutage aku vabastamise nuppu ja tõmmake akuploki välja, nagu on näidatud joonisel L.

Joonise L osade kirjeldus:

L-1	Akuvabastusnupp
-----	-----------------

## JÕHVTRIMMERI HOIDMINE

**⚠ HOIATUS:** Kandke sobivat riietust, et ennetada vigastuste ohtu tööriista kasutamisel. Ärge kandke ehteid ega avaraid riideid. Kandke nägemis- ja kuulmiskaitsevahendeid. Kandke tugevast materjalist pikki pükse, saapaid ja kindaid. Ärge kandke seadmega töötamisel lühikesi pükse ega sandaale ja ärge töötage paljajalu.

Enne töö alustamist seiske töökojal ja veenduge, et kasutate sobivaid silmakaitsevahendeid ja sobivat riietust, et teie jalgealune on tugev ning eesmist abikäepidet hoidev käsi on sirge.

**MÄRKUS:** Trimmeri pea on korrektse lõikekauguse korral maaga paralleelne, ilma et seadme kasutaja kummardama peaks (joon. N).

Turvalisema ja parema kasutamise jaoks pange õlarihm üle õla, nagu on näidatud joonisel N. Reguleerige õlarihm enda jaoks mugavaks. Hoidke jõhvtrimmerit kahe käega. Ühe käega hoidke tagumist käepidet ja teisega eesmist abikäepidet.

Rihma vabastamiseks on kaks võimalust. Võtke see õlalt ära (joon. O) või vajutage rihma konksule ja eemaldage see varre külge fikseeritud õlarihma kinnitusaasa küljest (joon. P).

**⚠ HOIATUS:** Õlarihm on ohusituatsioonides ka kiirvabastusmehhanismiks. Õnnetuse korral võtke see koheselt ära, ükskõik millises asendis rihm on.

## JÕHVTRIMMERI KÄIVITAMINE/PEATAMINE (joon. M)

### Käivitamiseks

Vajutage lukustusnuppu ning suruge päästik alla Lõikejõhvi pöörlemiskiirus sõltub sellest, kui tugevalt te päästikut vajutate. Tugevam surve tekitab suurema kiiruse.

### Peatamine:

Vabastage päästik.

**MÄRKUS:** Mootor töötab vaid siis, kui nii lukustusnupp kui ka päästik on alla vajutatud.

**⚠ HOIATUS:** Tööpauside ajal ja pärast töö lõpetamist eemaldage alati akuplokk trimmeri küljest.

### Kiiruse reguleerimine (joon. M)

Jõhvtrimmeril on kaks kiirust. Asend „1“ tähistab madalat kiirust ja asend „2“ suuremat kiirust. Lükake või tõmmake suure/madala kiiruse lüliti, et valida töö jaoks sobiv kiirus.

Joonise M osade kirjeldus, vt allpool:

M-1	Suure/madala kiiruse nupp
M-2	Lukustusnupp
M-3	Päästik

## JÕHVTRIMMERI KASUTAMINE

**⚠ HOIATUS:** Raskete vigastuste vältimiseks kasutage seadmega töötades alati kaitseprille. Tolmustes tingimustes kandke näomaski või tolmumaski.

Enne töö alustamist puhastage tööpiirkond võõrkehade-st. Eemaldage tööpiinnalt kõik, kivid, klaasikillud, naelad, juhtmed ja nõõrid, mis võivad seadme külge või sisse kinni jääda. Jälgige, et tööpiirkonnas poleks lapsi, kõrvalisi iskuid ega loomi- Lapsed, kõrvalseisjad ja loomad peavad olema vähemalt 15 meetri kaugusel; ka selle tingimuse täidetuse korral säilib kõrvalseisjatele mõningane oht. Soovitage kõrvalseisjatel kasutada kaitseprille. Kui keegi teile läheneb, seisake mootor ja lõikeseade koheselt.

Enne iga kasutuskorda kontrollige ega seadme osad kulunud või kahjustatud pole.

Kontrollige lõikepead, piiret ja eesmist abikäepidet ning vahetage välja mõranenud, väärdunud, paindunud või muul moel kahjustatud komponendi.

Piirde jõhvi lõikav äär võib aja jooksul kuluda. Soovitatav on seda arg-ajalt viiliga teritada või nürinemise korral uue vastu vahetada.

**⚠ HOIATUS:** Piirde paigaldamise või hooldamise ajal kasutage alati kindaid. Jälgige tera liikumist ja olge ettevaatlik, et te ei vigastaks oma käsi.

### Puhastage trimmerit pärast iga kasutuskorda.

**⚠ ETTEVAATUST!** Õhutusava ees olevad objektid takistavad õhu pääsemist mootori korpusesse ning selle tulemusena võib mootor üle kuumeneda või kahjustusi saada.

- Puhastamiseks kasutage ainult pehmetoimelist seepi ja niisket lappi. Ärge laske vedelikul tööriista sisse sattuda ega kastke tööriista vedelikku sisse.

- Jälgige alati, et mootori korpuse õhutusavad oleksid puhtad.

**⚠ HOIATUS:** Ärge kunagi puhastage trimmerit veega. Vältige plastosade puhastamisel lahustite kasutamist. Enamik plastmasse lagunevad kaubanduslike lahustite toimel kergesti. Kasutage mustuse, tolmu, õli, rasva jm eemaldamiseks puhast lappi.



## LÕIKEJÕHVI KÕRGUSE REGULEERIMINE

Trimmeri pea abil saab kasutaja jõhvi pikendada seadet seiskamata. Kui jõhv läheb katki või kulub, puudutage jõhvi pikendamiseks lõikepeaga kergelt maad ilma trimmerit seiskamata (joon. Q).

**MÄRKUS:** Lõikejõhvi vabastamine muutub jõhvi lühenedes järjest raskemaks.

**⚠ HOIATUS:** Ärge eemaldage ega kohandage jõhvi lõiketera moodulit. Liiga pikk jõhv põhjustab mootori ülekuumenemist, mis omakorda suurendab raskete vigastuste ohtu.

## JÕHVI VAHETAMINE

**MÄRKUS:** Kasutage alati seadme jaoks ette nähtud nailonist jõhvi, mille diameeter ei ületa 2,4 mm. Muu jõhvi peale kindlaks määratud jõhvi kasutamine võib kaasa tuua trimmeri ülekuumenemise või kahjustumise.

**⚠ HOIATUS:** Ärge kasutage metalltugevdusega jõhvi, traati, köit vmt. Need võivad murduda ning õhku paiskudes ohtlikuks muutuda.

1. Eemaldage akuplokk.
2. Vajadusel eemaldage ülejäänud jõhv.
3. Lõigake 4m pikkune lõikejõhv, sisestage jõhv augukeses olevasse kinnitusavasse (joon. R). Lükake ja tõmmake jõhvi teisel poolt kuni mõlemal pool pooli on sama palju jõhvi.
4. Suruge pooli, samas alumise katte moodulit noole suunas keerates, et täita pool jõhviga, kuni mõlemalt poolt on näha umbes 14 cm jõhvi (joon. S).
5. Vajutage alumise katte moodulit alla, samal ajal jõhve tõmmates, et jõhvi käitsi edasi liigutada ja kontrollida, kas trimmeri pea on korralikult kokku pandud.

Kui jõhv läheb katki avadest, kust jõhv välja tuleb, või kui jõhv ei tule trimmeri pea vastu koputades välja, siis tehke järgmist.

1. Vajutage ülemise katte vabastussakkidele ja eemaldage alumise katte moodul, tõmmates selle otse välja (joon. T ja U).
2. Eemaldage lõikejõhvi poolilt.
3. Hoides ühte kätt alumise katte moodulil, võtke teise käega alumise katte moodulit kinni ja joondate ülemise katte sakid avadega alumise katte moodulil (joon. V); vajutage peopesaga alumise katte moodulit, kuni sakid lukustuvad ülemise katte külge.
4. Uue jõhvi lisamiseks järgi juhiseid osas „JÕHVI VAHETAMINE“.

## HOOLDUS

**⚠ HOIATUS:** Remontimisel kasutage vaid originaalvaruosi. Kontrollige ja hooldage seadet regulaarselt. Ohutuse ja töökindluse tagamiseks soovivad seda seadet remontida ainult vastava kvalifikatsiooniga hooldustehnikud.

**⚠ HOIATUS:** Akuga töötavaid tööriistu pole vaja vooluvõrku ühendada, seega on nad alati töörežiimis. Raskete vigastuste ennetamiseks olge väga hoolikas, kui teostate hooldus- või remonttööd või vahetate lõikeseadmeid või muid komponente.

**⚠ HOIATUS:** Raskete vigastuste vältimiseks eemaldage alati aku enne kui asute seadet remontima, puhastama, lisatarvikuid kinnitama või kinni jäänud objekte eemaldama.

## SEADME PUHASTAMINE

- Puhastage seade, kasutades õrna puhastusvahendiga immutatud niisket lappi.
- Ärge kasutage plastmasskomponentide või käepideme puhastamiseks tugevatoimelisi puhastusaineid. Seadme osi võivad kahjustada teatud aroomaatsed õlid (nt männi- või sidruniõli) ja teatud ained (nt petrooleum). Niiskus võib tekitada elektrilöögi ohtu. Eemaldage niiskus pehme kuiva lapiga.
- Tagumise korpuse õhutusavade puhastamiseks kasutage väikest harja või tolmuimeja väikese harja õhuväijutusava.

## ÜLEKANDESÜSTEEMI MÄÄRIMINE

ÜlekanDESüsteemi korpuses olevaid ülekanDESüsteemi osi peab regulaarselt määrima. Kontrollige ülekanDESüsteemi määratset iga 50 töötunni järel, eemaldades kinnituskruvi ja korpuse külje.

Kui ülekanDESüsteemi osadel ei ole nähtavat määret, siis järgige allpool esitatud juhiseid ning lisage ülekanDESüsteemile määrdeainet 3/4 ulatuses. Ärge ülekanDESüsteemi täies ulatuses määri-ge.

1. Pange jõhvtrimmer küljele nii, et tihenduskrugi jääks ülespoole (joon. W).
2. Tihenduskrugi vabastamiseks ja eemaldamiseks kasutage seadmega kaasas olevat multifunktsionaalset mutrivõtit.
3. Kasutage süstalt (ei ole kaasas), et natuke määret krugi auku pritsida, ja jälgige, et te ei ületa 3/4 mahust.
4. Pärast määrimist keerake tihenduskrugi kinni.

## SEADME HOIUSTAMINE

- Kui te jõhvtrimmerit ei kasuta, eemaldage selle akuplokk.
- Enne tööriista hoiustamist puhastage see hoolikalt.
- Hoidke tööriista kuivas, hästi ventileeritavas, lukustatud kohas ja kõrgel, lastele ligipääsmatus kohas. Ärge hoidke seadet väetiste, bensiini või muude kemikaalide läheduses.

## Keskkonnakaitse



Ärge visake elektriseadmeid, akulaadijat ega patareisid / akusid olmeprügi hulka!

Vastavalt Euroopa Liidu eriaruandele nr 2012/19/EÜ tuleb elektri- ja elektrooni-ka-seadmed, mis pole enam kasutatavad, ning, vastavalt direktiivile 2006/66/EÜ, ka defektsed või kasutatud akuplokkid / patareisid, eraldi kokku koguda.

Kui elektriseadmed maetakse maa sisse või viiakse prügimäele, võivad ohtlikud ained põhjavekke lekkida ja toiduahelasse sattuda ning kahjustada teie tervist ja heaolu

## TÕRKEOTSING

PROBLEEM	PÕHJUS	LAHENDUS
Jõhvtrimmer ei käivitu.	<ul style="list-style-type: none"> <li>■ Akuplokk pole trimmeriga ühendatud.</li> <li>■ Trimmeri ja aku vahel puudub elektriline ühendus.</li> <li>■ Akuplokk on tühi.</li> <li>■ Lukustusnupp ja päästikut ei vajutatud samaaegselt.</li> </ul>	<ul style="list-style-type: none"> <li>■ Kinnitage akuplokk trimmeri külge.</li> <li>■ Eemaldage aku, kontrollige ühendusi ja paigaldage akuplokk tagasi.</li> <li>■ Laadige akuplokki.</li> <li>■ Jõhvtrimmeri sisse lülitamiseks vajutage lukustusnupu ja hoidke seda all ning suruge päästik alla.</li> </ul>
Jõhvtrimmer seiskub niitmise ajal.	<ul style="list-style-type: none"> <li>■ Piire pole trimmeri külge kinnitatud, mistõttu on jõhv liiga pikaks läinud ja mootor üle koormatud.</li> <li>■ Kasutatakse rasket jõhvi.</li> <li>■ Rohi on ummistanud mootori võlli või trimmeri pea.</li> <li>■ Mootor on ülekoormatud</li> <li>■ Akuplokk või jõhvtrimmer on liiga kuum.</li> <li>■ Akuplokk on tööriista küljest lahti ühendatud.</li> <li>■ Akuplokk on tühi.</li> </ul>	<ul style="list-style-type: none"> <li>■ Eemaldage akuplokk ja kinnitage piire trimmeri külge.</li> <li>■ Kasutage seadme jaoks ette nähtud nailonist jõhvi, mille diameeter pole suurem kui 2,4 mm.</li> <li>■ Seisake trimmer, ühendage aku lahti ja eemaldage mootori võlli ja trimmeripea ümber kogunenud rohi.</li> <li>■ Tõstke trimmeri pea rohu seest välja. Mootor hakkab uuesti tööle kohe, kui takistus on eemaldatud. Niitmise ajal liigutage trimmeri pead niidetava rohu sisse ja sealt välja ning ärge lõigake korraga rohkem kui 20 cm rohtu.</li> <li>■ Jahutage akuplokki või trimmerit, kuni temperatuur langeb alla 67°C.</li> <li>■ Paigaldage akuplokk tagasi.</li> <li>■ Laadige akuplokki.</li> </ul>

PROBLEEM	PÕHJUS	LAHENDUS
Trimmeri pea ei anna lisajõhvi välja.	<ul style="list-style-type: none"> <li>■ Rohi on ummistanud mootori võlli või trimmeri pea.</li> <li>■ Pooli ümber pole piisavalt jõhvi.</li> <li>■ Trimmeri pea on määrdunud.</li> <li>■ Jõhv kiilub poolile kinni.</li> <li>■ Jõhv on liiga lühike.</li> </ul>	<ul style="list-style-type: none"> <li>■ Seisake trimmer, ühendage aku lahti ja puhastage mootori võlli ja trimmeri pead.</li> <li>■ Eemaldage aku ja vahetage jõhv, järgides käesoleva juhendi alapunktis "JÕHVI VAHETAMINE" antud juhiseid.</li> <li>■ Eemaldage akuplokk ja puhastage trimmeri pead.</li> <li>■ Eemaldage aku ning kerige jõhv trimmeri pea pealt maha ja tagasi, järgides juhiseid käesoleva juhendi jaotises "LÕIKEJÕHVI UUESTI LAADIMINE".</li> <li>■ Eemaldage aku ja tõmmake jõhve käsitsi ning vajutage samaaegselt mitu korda trimmeri pea peale.</li> </ul>
Rohi keerdub ümber trimmeri pea ja mootori korpuse.	<ul style="list-style-type: none"> <li>■ Kõrget rohtu lõigatakse maapinna lähedal.</li> </ul>	<ul style="list-style-type: none"> <li>■ Alustage kõrge rohu lõikamist ülevallt ja keerdumise vältimiseks eemaldage korraka kuni 20 cm.</li> </ul>
Trimmeripea on mõranenud või alumise katte moodul tuleb ülemise katte küljest lahti.	<ul style="list-style-type: none"> <li>■ Trimmeripea on kulunud.</li> </ul>	<ul style="list-style-type: none"> <li>■ Trimmeripea vahetamist peab teostama vastava kvalifikatsiooniga tehnik.</li> </ul>

## GARANTII

### EGO GARANTIIPÕHIMÕTTED

Täielikud EGO garantiitingimused leiate veebilehelt [egopowerplus.com](http://egopowerplus.com).

## ПРОЧИТАЙТЕ ВСІ ІНСТРУКЦІЇ!



ПРОЧИТАЙТЕ ПОСІБНИК З ЕКСПЛУАТАЦІЇ

**⚠ Залишковий ризик!** Люди з електронними пристроями, наприклад кардіостимуляторами, повинні проконсультуватися зі своїм лікарем (лікарями) перед використанням цього виробу. Експлуатація електрообладнання в безпосередній близькості від кардіостимулятора може спричинити перешкоди або несправність кардіостимулятора.

**⚠ ПОПЕРЕДЖЕННЯ.** Для гарантування безпеки та надійності всі роботи з ремонту та заміни повинен проводити кваліфікований технічний спеціаліст.

## СИМВОЛИ, ЩО СТОСУЮТЬСЯ БЕЗПЕКИ

Мета символів, пов'язаних із безпекою, – привернути вашу увагу до можливих небезпек. Символи безпеки та їхнє пояснення заслуговують на вашу пильну увагу та розуміння. Символи попереджень самі по собі не усувають будь-якої небезпеки. Інструкції та попередження, які вони надають, не замінюють належних заходів щодо запобігання аваріям.

**⚠ ПОПЕРЕДЖЕННЯ.** Перш ніж користуватися цим інструментом, обов'язково ознайомтеся з усіма інструкціями з безпеки, наведеними в цьому посібнику користувача, зокрема з усіма символами попереджень, такими як «НЕБЕЗПЕКА», «ПОПЕРЕДЖЕННЯ» та «ЗАСТЕРЕЖЕННЯ». Недотримання наведених нижче вказівок може спричинити ураження електричним струмом, пожежу та/або серйозні травми.

## ЗНАЧЕННЯ СИМВОЛУ

### СИМВОЛ ПОПЕРЕДЖЕННЯ ЩОДО БЕЗПЕКИ:

Вказує на НЕБЕЗПЕКУ, ПОПЕРЕДЖЕННЯ АБО ЗАСТЕРЕЖЕННЯ. Може використовуватися разом з іншими символами або піктограмами.





### ⚠ ПОПЕРЕДЖЕННЯ.

Використання будь-яких електроінструментів може призвести до потраплення сторонніх предметів в очі, що може спричинити серйозне пошкодження очей. Перед початком експлуатації електроінструмента завжди надягайте закриті захисні окуляри або відкриті захисні окуляри з бічними щитами та, якщо потрібно, повнопрофільну захисну маску. Ми рекомендуємо захисну маску широкого розміру для використання поверх окулярів або стандартні відкриті захисні окуляри з бічними щитами.

## ВКАЗІВКИ З ТЕХНІКИ БЕЗПЕКИ

На цій сторінці зображено та описано символи, пов'язані з безпекою, які можуть відобразитися на цьому виробі. Перш ніж намагатися зібрати та експлуатувати його, ознайомтеся з усіма інструкціями на машині та дотримуйтеся їх.

	Попередження щодо безпеки	Вказує на потенційну небезпеку травмування.
	Прочитайте посібник користувача	Щоб зменшити ризик травми, користувач повинен ознайомитися з інструкцією користувача перед використанням цього виробу.
	Надягайте засоби захисту очей	Під час роботи з цим виробом завжди використовуйте засоби захисту органів слуху.
	Надягайте засоби захисту органів слуху	Під час роботи з цим виробом завжди використовуйте засоби захисту органів слуху.
	Без ріжучого леза	Не встановлюйте металеві або пластикові різальні леза.

	Тримайте сторонніх подалі	Переконайтеся, що інші люди та домашні тварини залишаються на відстані принаймні 15 м від лісового тримера, коли він використовується.
	Тримайте сторонніх подалі	Переконайтеся, що інші люди та домашні тварини залишаються на відстані принаймні 15 м від лісового тримера, коли він використовується.
	Шум	Рівень звукового тиску
	Ступінь захисту від пилу та вологи	Захист від бризок води
V	Вольти	Напруга
mm	Міліметр	Довжина або розмір
cm	Сантиметр	Довжина або розмір
	Постійний струм	Тип або характеристика струму
$n_0$	Швидкість холостого ходу	Обертова швидкість без навантаження
$\text{min}^{-1}$	На хвилину	Обертів на хвилину

## ВАЖЛИВІ ВКАЗІВКИ ЩОДО БЕЗПЕКИ

**⚠ ПОПЕРЕДЖЕННЯ!** Під час використання електричних тримерів необхідно завжди дотримуватись основних правил техніки безпеки для зниження ризику виникнення пожежі, ураження струмом та тілесних ушкоджень, включно з наведеними нижче.

### ПРОЧИТАЙТЕ ВСІ ІНСТРУКЦІЇ!

**⚠ НЕБЕЗПЕКА!** Не покладайтеся на захист ізоляції інструмента від удару електричним струмом. Щоб зменшити ризик ураження електричним струмом, ніколи не експлуатуйте інструмент поблизу будь-яких проводів або кабелів, які можуть бути під напругою.

**УК ОБЕРЕЖНО!** Носіть відповідні засоби захисту органів слуху під час використання. За певних умов і тривалості використання шум від цього виробу може сприяти втраті слуху.

## НАВЧАННЯ

- Уважно прочитайте інструкцію. Ознайомтеся з органами керування та правилами належного користування куцорізом.
- Не дозволяйте користуватися цим інструментом особам, які не ознайомилися з інструкцією з експлуатації, і дітям. Місцеві нормативні акти можуть обмежувати вік оператора.
- Пам'ятайте, що оператор або користувач несе відповідальність за нещасні випадки або збитки, заподіяні іншим особам чи їх майну.

## ПІДГОТОВКА

- Не використовуйте пристрій, якщо поблизу знаходяться люди, особливо діти або домашні тварини.
- Завжди одягайте засоби захисту очей і захисне взуття під час роботи з інструментом.
- Відстань між інструментом і сторонніми спостерігачами має бути не менше 15 м.
- Не використовуйте металеві леза.

## ЕКСПЛУАТАЦІЯ

- Працюйте з інструментом лише при денному світлі або при гарному штучному світлі.
- Ніколи не користуйтеся інструментом із пошкодженими захисними пристроями чи щитками або без установлених захисних щитків.
- Вмикаючи мотор, упевніться, що ви тримаєте руки та ноги на відстані від ріжучих елементів.
- Завжди відключайте прилад від джерела живлення (наприклад, виймайте вилку з розетки або виймайте вимикач).
- Коли інструмент залишається без нагляду;
  - перед очищенням засмічення;
  - перед перевіркою, очищенням інструмента або роботою з ним;
  - після зіткнення зі стороннім предметом;
  - коли інструмент починає незвично вібрувати.
- Остерігайтеся травмування ніг і рук різальними засобами.
- Завжди стежте за тим, щоб вентиляційні отвори були чистими й не засміченими.

## ТЕХНІЧНЕ ОБСЛУГОВУВАННЯ ТА ЗБЕРІГАННЯ

- Відключайте прилад від джерела живлення (наприклад, виймайте вилку з розетки або виймайте вимикач) перед обслуговуванням або очищенням.

- Використовуйте лише рекомендовані виробником запасні деталі та приладдя.
- Регулярно оглядайте інструмент і виконуйте його обслуговування. Доручайте ремонт інструмента лише вповноваженому спеціалісту з ремонту.
- Коли інструмент не використовується, тримайте його в недоступному для дітей місці.

## ІНШІ ПОПЕРЕДЖЕННЯ ЩОДО БЕЗПЕКИ

- Уникайте небезпечних середовищ – не використовуйте тримери у вологих або мокрих місцях.
- Завжди вимикайте лісовий тример або виймайте акумулятор, коли ви залишаєте тример без нагляду.
- Не використовувати в дощ.
- Тримайте дітей подалі – усі глядачі повинні перебувати на відстані від робочої зони.
- Одягайтеся належним чином – не носіть вільного одягу або прикрас. Вони можуть потрапити в рухомі частини. Гумові рукавички та міцне взуття рекомендуються під час роботи надворі. Одягайте захисний головний убір, щоб зібрати під ним волосся.
- Використовуйте захисні окуляри – завжди носіть захисні окуляри під час роботи з інструментом.
- Використовуйте правильний інструмент – не використовуйте інструмент для будь-якої роботи, крім тієї, для якої його призначено.
- Не застосовуйте силу до тримера – він виконуватиме свою роботу краще і з меншою вірогідністю травмування при швидкості, для якої його розроблено.
- Не дотягуйтеся – завжди міцно стійте на ногах і втримуйте рівновагу.
- Будьте напоготові – слідкуйте за тим, що ви робите. Послугуйтеся здоровим глуздом. Не використовуйте тример, коли ви втомилися.
- Не експлуатуйте тример, якщо ви перебуваєте під впливом алкоголю або медикаментів.
- Запобіжники мають бути на місці та в робочому стані.
- Зберігайте тример у приміщенні – коли він не використовується, тример має зберігатися у приміщенні в сухому та високо розташованому або замкненому місці зі знятим акумулятором у недоступному для дітей місці.
- Ретельно доглядайте за тримером – тримайте ріжучий пристрій чистим для найкращої продуктивності та зменшення ризику травмування. Дотримуйтесь інструкцій із заміни аксесуарів. Підтримуйте руків'я сухими, чистими, без жиру і бруду.
- Перевірте наявність пошкоджених деталей – перед подальшим використанням тримера ретельно перевірте запобіжник або інші деталі на наявність пошкоджень, щоб визначити, чи працюватимуть вони бездоганно та виконуватимуть функцію, для якої призначені. Перевірте центрування та можливе заїдання рухомих деталей, розламування деталей, кріплення та інші умови, які можуть вплинути на роботу інструмента. Щиток чи іншу пошкоджену деталь потрібно належно відремонтувати або замінити у вповноваженому сервісному центрі, якщо в цій інструкції не вказано інше.
- Очищуйте ділянку підірвання перед кожним використанням. Видаліть усі предмети, такі як камені, бите скло, цвяхи, дроти або ліску, які можуть бути відкинуті або затягнуті в ріжуче обладнання. Переконайтеся, що інші особи та домашні тварини перебувають на відстані принаймні 15 метрів.
- Перш ніж користуватися пристроєм після того, як стався будь-який удар, інструмент слід перевірити на предмет зношення або пошкодження і, в разі потреби, провести ремонт.
- Під час роботи завжди тримайте тример міцно, обома руками за рукоятки. Охопіть рукоятки пальцями.
- Уникайте випадкового запуску – не переносьте тример, поклавши палець на тригер.
- Не використовуйте тример у вибухонебезпечній атмосфері або в присутності випарів нафтопродуктів. Мотори цих приладів зазвичай випускають іскри, які можуть спричинити займання випарів.
- Пошкодження тримера – якщо ви натрапили на сторонній предмет тримером або він застряг, зупиніть інструмент негайно, вийміть акумулятор із тримера, перевірте пошкодження та забезпечте усунення пошкодження перед будь-якими спробами подальшої експлуатації. Не працюйте зі зламаним щитком або котушкою.

- Якщо обладнання почне незвично вібрувати, вимкніть мотор, вийміть акумулятор і негайно виявіть причину. Вібрація зазвичай сигналізує про несправність. Незакріплена головка може вібрувати, тріснути, зламатися або відірватися від тримера, що може призвести до серйозних або смертельних травм. Переконайтеся, що ріжучий пристрій правильно закріплено на місці. Якщо кріплення головки послаблюється після фіксації в її положенні, негайно замініть її. Ніколи не використовуйте тример із незакріпленим ріжучим пристроєм.
- Негайно замініть тріснуту, пошкоджену або зношену ріжучу головку, навіть якщо пошкодження являє собою лише поверхневі тріщини. Такі насадки можуть руйнуватися на високій швидкості і призвести до серйозних або смертельних травм.
- Регулярно перевіряйте ріжучий пристрій через короткі проміжки часу під час роботи, або негайно, якщо помітна зміна в способі різання.
- Використовуйте лише схвалені аксесуари для лісового тримера EGO™ та тримерну ліску, які призначені для використання з цим інструментом. Незважаючи на те, що певні недозволені насадки можуть бути встановлені на лісовий тример EGO™, їх використання може бути надзвичайно небезпечним та/або пошкодити інструменти.
- Щоб зменшити ризик серйозної травми, замість нейлонових ріжучих лісок ніколи не використовуйте дрот або металеву зміцнену ліску чи інші матеріали. Шматки дроту можуть відірватися й відлетіти на високій швидкості в бік оператора або сторонніх спостерігачів.
- Щоб зменшити ризик отримання травми через втрату контролю, ніколи не слід працювати на драбині або на будь-якій іншій небезпечній опорі. Ніколи не тримайте ріжучий пристрій вище висоти пояса.
- Якщо виникають ситуації, які не розглядаються в цьому посібнику, проявляйте обережність і розсудливість. Зверніться до сервісного центру EGO по допомогу.
- Не заряджайте акумуляторну батарею під дощем або у вологих місцях.
- Використовуйте лише акумулятори та зарядні пристрої EGO.

АКУМУЛЯТОРНА БАТАРЕЯ	ЗАРЯДНИЙ ПРИСТРІЙ
BA1120E, BA1400, BA2240E BA2800, BA3360, BA4200, BA1400T, BA2800T, BA4200T	CH2100E, CH5500E

- Акумуляторну батарею потрібно виїняти з приладу, перш ніж викидати його.
- Акумулятори необхідно утилізувати безпечно.
- Не викидайте батарею у вогонь. Елементи живлення можуть вибухнути. Зверніться до місцевих органів влади для отримання спеціальних інструкцій з утилізації.
- Не відкривайте й не деформуйте батарею. Вивільнений електроліт є корозійним і може спричинити пошкодження очей або шкіри. Його ковтання може бути токсичним.
- Будьте обережні під час поводження з акумуляторами, щоб не закоротити батарею провідними матеріалами, такими як кільця, браслети та ключі. Акумулятор або провідники можуть перегрітися та спричинити опіки.
- Використовуйте для технічного обслуговування лише ідентичні запчастини EGO™. Використання будь-якого іншого аксесуара або насадки може збільшити ризик травми.
- Акумуляторні інструменти не потрібно підключати до електричної розетки; отже, вони завжди в робочому стані. Будьте в курсі можливих небезпек, навіть якщо інструмент не працює. Будьте обережні, виконуючи технічне обслуговування чи догляд.
- Не мийте шлангом; уникайте потрапляння води в мотор та електричні з'єднання.
- Збережіть цю інструкцію. Часто переглядайте та використовуйте її, щоб навчати інших, хто може використовувати цей інструмент. Якщо ви надаєте когось цей інструмент, надайте їм ці інструкції, щоб запобігти неналежному використанню виробу та можливим травмам.
- Під час експлуатації інструмента завжди носіть міцне взуття та довгі штани.
- Завжди впевнено стійте на ногах на схилах і ходіть, у жодному разі не біжіть.

**ЗБЕРЕЖІТЬ ЦЮ ІНСТРУКЦІЮ!**



## ТЕХНІЧНІ ХАРАКТЕРИСТИКИ

Напруга	56 В ---	
Швидкість холостого ходу	5000/6000 хв <sup>-1</sup>	
Ріжучий механізм	Ударна головка	
Тип ріжучої ліски	2,4-мілім-етрова нейлон-ова вита ліска	
Ширина різання	38 мм	
Вага (без акумулятора)	4,21 кг	
Вимірний рівень звукової потужності L <sub>WA</sub>	94,3 дБ(A) K=1,37 дБ(A)	
Рівень звукового тиску на місці вуха оператора L <sub>TPA</sub>	82,6 дБ(A) K=3 дБ(A)	
Гарантований рівень звукової потужності L <sub>WA</sub> (відповідно до стандарту 2000/14/ЄС)	96 дБ(A)	
Вібрація a <sub>n</sub>	Задня ручка	3,97 м/с <sup>2</sup> K=1,5 м/с <sup>2</sup>
	Передня допоміжна ручка	2,78 м/с <sup>2</sup> K=1,5 м/с <sup>2</sup>

## ПАКУВАЛЬНИЙ СПИСОК

НАЗВА ДЕТАЛІ	КІЛЬКІСТЬ
Лісовий тример	1
Щиток	1
Передня допоміжна ручка в зборі	1
Шестигранний ключ	1
Багатофункціональний ключ	1
Плечовий ремінь	1
Посібник користувача	1

## ОПИС

### ОЗНАЙОМЛЕННЯ З ЛІСОВИМ ТРИМЕРОМ (рис. А)

1. Порогове кільце
2. Тригер
3. Задня ручка
4. Отвір для входу повітря
5. Кнопка блокування
6. Перемикач низької/високої швидкостей

7. Кріплення ремінця на плече
8. Регульована передня допоміжна ручка
9. Плечовий ремінь
10. Багатофункціональний ключ
11. Шестигранний ключ
12. Головка тримера (ударна головка)
13. Ріжуча ліска
14. Фіксатор
15. Лісовий ніж
16. Щиток
17. Механізм викидання
18. Електричні контакти
19. Засувка
20. Гумова прокладка
21. Кнопка звільнення батареї

## ЗБИРАННЯ

**⚠ ПОПЕРЕДЖЕННЯ.** Якщо якісь частини пошкоджені або відсутні, не користуйтеся цим інструментом, доки вони не будуть замінені. Використання цього виробу з пошкодженими або відсутніми деталями може призвести до серйозних травм.

**⚠ ПОПЕРЕДЖЕННЯ.** Не намагайтеся вдосконалити цей виріб або застосувати приладдя, не рекомендоване для нього. Кожна така заміна чи переробка є фактом неправильного користування, створює небезпечні умови й загрожує серйозними травмами.

**⚠ ПОПЕРЕДЖЕННЯ.** Щоб запобігти випадковому запуску, що може спричинити серйозні травми, завжди виймайте акумуляторну батарею з інструмента під час монтажу деталей.

### УСТАНОВЛЕННЯ ЩИТКА

**⚠ ПОПЕРЕДЖЕННЯ.** Під час установлення або заміни щитка завжди слід носити рукавички. Остерігайтеся леза на щитку та захистіть руку від травм.

**⚠ ПОПЕРЕДЖЕННЯ.** Ніколи не використовуйте інструмент, якщо щиток міцно не закріплено. Щиток завжди має бути на інструменті для захисту користувача! Коли щиток зафіксовано, ніколи не намагайтеся зняти або відрегулювати щиток. Якщо потрібно замінити його, це має виконувати кваліфікований технічний персонал!

1. Відкрутіть і зніміть два гвинти зі щитка (рис. В).
2. Вирівняйте кріпильні отвори щитка з отворами для збірки, а потім зафіксуйте щиток на основі вала за допомогою двох гвинтів разом із двома пружинними шайбами (рис. С).

**ПРИМІТКА.** Переконайтесь, що захисний щиток закріплений відповідно до рисунків В і С, будь-яке зворотнє кріплення може призвести до великої небезпеки!

## УСТАНОВЛЕННЯ ТА РЕГУЛЮВАННЯ ПЕРЕДНЬОЇ ДОПОМІЖНОЇ РУЧКИ

1. Відкрутіть фіксувальну штангу в передній допоміжній ручці та зніміть фіксувальну штангу і гайку-баранець із передньої допоміжної ручки (рис. D).

Рис. D – див. опис деталей нижче:

D-1	Фіксувальна штанга	D-3	Затискний блок
D-2	Передня допоміжна ручка	D-4	Гайка-баранець

2. Насуньте передню допоміжну ручку на вал (рис. E).
3. Вставте затискний блок у гніздо для ручки (рис. F).
4. Закріпіть фіксувальну штангу і злегка закрутіть її гайкою-баранцем. Переконайтесь, що передня допоміжна ручка направлена на верхню частину задньої ручки (рис. G).
5. Відрегулюйте передню допоміжну ручку між пороговим кільцем та етикеткою, щоб переконатися, що передня ручка розташована прямо під час роботи (рис. H).
6. Зафіксуйте важіль фіксувальної штанги. (Рис. I).

**ПРИМІТКА.** Передня допоміжна ручка має бути повернена вгору та направлена на верхню частину задньої ручки.

**▲ ПОПЕРЕДЖЕННЯ.** Обов'язково зафіксуйте передню допоміжну ручку між пороговим кільцем і етикеткою на валу.

**▲ ПОПЕРЕДЖЕННЯ.** Інструмент не можна використовувати без надійної фіксації передньої допоміжної ручки.

## КРІПЛЕННЯ ПЛЕЧОВОГО РЕМІНЦЯ

Натисніть на гачок ремня, щоб відкрити його, і прикріпіть його до кріплення плечевого ремня (рис. J).

## ЕКСПЛУАТАЦІЯ

**▲ ПОПЕРЕДЖЕННЯ.** Знання виробу не має робити вас небалним. Пам'ятайте, що півсекунди неухважності досить для серйозної травми.

**▲ ПОПЕРЕДЖЕННЯ.** Завжди носіть закриті або відкриті захисні окуляри з бічними щитками разом із захисними навушниками. Без окулярів ви ризикуєте отримати травми очей від викинутих предметів та інші серйозні травми.

**▲ ПОПЕРЕДЖЕННЯ.** Не використовуйте приладдя чи насадки, не рекомендовані виробником цього пристрою. Використання нерекондованого приладдя чи насадок може призвести до серйозних травм.

**▲ ПОПЕРЕДЖЕННЯ.** Щоб запобігти серйозним травмам, вийміть акумуляторну батарею з інструмента перед обслуговуванням, очищенням, заміною насадок або видаленням матеріалу з пристрою.

Ви можете використовувати цей виріб для цілей, перелічених нижче:

**Підрізання:** використовується для видалення трави та бур'янів біля стін, парканів, дерев та бордюрів.

**Зрізання:** використовується для зрізання трави, яку важко дістати за допомогою звичайної косарки.

**ПРИМІТКА.** Цей інструмент має використовуватись тільки за призначенням. Будь-яке інше використання, наприклад підрізання країв, вважається випадком використання не за призначенням.

## УСТАНОВЛЕННЯ І ВИДАЛЕННЯ АКУМУЛЯТОРА

**Повністю зарядіть перед першим використанням**

### Установлення

Вирівняйте виступи на акумуляторі з кріпильними отворами та натисніть на акумуляторну батарею, доки не почуєте «кляцання» (рис. K).

### Видалення

Натисніть кнопку звільнення акумулятора та витягніть акумуляторну батарею, як показано на рис. L.

Рис. L див. опис деталей нижче:

L-1	Кнопка розблокування батареї
-----	------------------------------

## ТРИМАННЯ ТРИМЕРА

**⚠ ПОПЕРЕДЖЕННЯ.** Одягайтеся правильно, щоб зменшити ризик травми під час роботи з цим інструментом. Не носіть вільного одягу або прикрас. Одягайте захисні окуляри та навушники. Носіть міцні, довгі штани, взуття та рукавички. Не носіть короткі штани, сандалії, не працюйте босоніж.

Перш ніж працювати, встаньте в робоче положення та перевірте захист очей, правильний одяг, рівновагу, пряма рука має тримати передню допоміжну ручку.

**ПРИМІТКА.** Головка тримера має бути паралельною землі на достатній відстані для різання, оператор не повинен нагинатися (рис. N).

Для безпечної та кращої експлуатації надягайте ремінець через плече, як показано на рис. N. Відрегулюйте плечовий ремінець у зручному робочому положенні. Тримайте лісковий тример обома руками. Тримайте прилад однією рукою за задню ручку, а іншою рукою за передню допоміжну ручку.

Існує два способи звільнення ремінця. Зніміть його прямо з плеча (рис O) або натисніть на гачок ремінця і витягніть його з кріплення плечового ремня, закріпленого на валу (рис. P).

**⚠ ПОПЕРЕДЖЕННЯ.** Плечовий ремінь також є механізмом швидкого звільнення в небезпечній ситуації. Коли трапляється надзвичайна ситуація, негайно зніміть його з плеча, незалежно від того, у який спосіб одягнуто ремінь.

## ЗАПУСК/ЗУПИНКА ЛІСКОВОГО ТРИМЕРА (рис. M)

### Запуск

Натисніть важіль блокування, а потім натисніть на тригер. Різний тиск на тригер призводить до змінної швидкості обертання ріжучої ліски. Що більше тиску, то більша швидкість.

### Зупинка

Відпустіть тригер

**ПРИМІТКА.** Мотор працює лише тоді, коли кнопку блокування та тригер натиснуто.

**⚠ ПОПЕРЕДЖЕННЯ.** Завжди виймайте акумуляторну батарею з ліскового тримера під час перерв у роботі та після закінчення роботи.

## Функція регулювання швидкості (рис. M)

Лісковий тример має дві швидкості. Положення «1» для низької швидкості та положення «2» для високої швидкості. Натисніть або потягніть перемикач високої/низької швидкості, щоб вибрати відповідну швидкість під час роботи.

Рис. M – див. опис деталей нижче:

M-1	Перемикач низької/високої швидкостей
M-2	Кнопка блокування
M-3	Тригер

## ВИКОРИСТАННЯ ЛІСКОВОГО ТРИМЕРА

**⚠ ПОПЕРЕДЖЕННЯ.** Щоб уникнути серйозних травм, завжди використовуйте закриті або відкриті захисні окуляри під час роботи з цим пристроєм. Одягайте маску для обличчя або пилову маску в місцях, де є пил.

Очищуйте ділянку підрізання перед кожним використанням. Видаліть усі предмети, такі як камені, бите скло, цвяхи, дроти або ліску, які можуть бути відкинуті або затягнуті в ріжуче обладнання. Приберіть із робочої області дітей, сторонніх і домашніх тварин. Принаймні тримайте всіх дітей, сторонніх спостерігачів і домашніх тварин на відстані не менше 15 м; проте для сторонніх спостерігачів усе одно може бути ризик від відкинутих предметів. Стороннім спостерігачам слід рекомендувати носити засоби захисту очей. Перед наближенням зупиніть мотор і ріжучий пристрій негайно.

### Перед кожним використанням перевірте наявність пошкоджень/зношених деталей

Перевірте ударну головку, щиток і передню ручку, а також замініть частини, які тріснули, викривлені, зігнуті або будь-яким чином пошкоджені.

Ріжучий лісковий ніж на краю щитка може затупитися з часом. Рекомендується періодично заточувати його за допомогою напилка або замінити його на нове лезо.

**⚠ ПОПЕРЕДЖЕННЯ.** Завжди слід носити рукавички під час кріплення щитка або обслуговування леза. Остерігайтеся леза на щитку та захистіть руку від травм.

### Після кожного використання очистьте тример.

**⚠ ЗАСТЕРЕЖЕННЯ.** Засмічення вентиляційних отворів перешкоджає проникненню повітря в корпус мотора і може призвести до перегріву або пошкодження мотора.

- Чистьте тільки м'яким милом і вологою ганчіркою. Ніколи не допускайте потрапляння рідини всередину інструмента; ніколи не занурюйте будь-яку частину інструмента в рідину.
- Завжди оберегайте вентиляційні отвори в корпусі мотора від сміття.

**⚠ ЗАСТЕРЕЖЕННЯ.** Ніколи не використовуйте воду для очищення тримера. Не застосовуйте розчинники, коли чистите пластмасові деталі. Більшість пластмас чутливі до пошкоджень різноманітними промисловими розчинниками. Для видалення бруду, пилу, мастила тощо користуйтеся чистою ганчіркою.

## РЕГУЛЮВАННЯ ДОВЖИНИ РІЗУЧОЇ ЛІСКИ.

Тримерна головка дає оператору змогу випускати більше ріжучої ліски, не зупиняючи мотор. Коли ліска стирається або зношується, можна випустити додаткову ліску, злегка вдаривши головою тримера об землю під час роботи з тримером (рис. Q).

**ПРИМІТКА.** Випуск ліски стане складнішим, коли ріжуча ліска стане коротшою.

**⚠ ЗАСТЕРЕЖЕННЯ.** Не видаляйте та не змінюйте ріжуче лезо в зборі. Надмірна довжина ліски призведе до перегріву мотора та може спричинити серйозні травми.

## ЗАМІНА ЛІСКИ

**ПРИМІТКА.** Завжди використовуйте рекомендовану нейлонову ріжучу ліску з діаметром, що не перевищує 2,4 мм. Використання іншої ліски, відмінної від указаної, може спричинити перегрівання ліскового тримера або його пошкодження.

**⚠ ПОПЕРЕДЖЕННЯ.** Ніколи не використовуйте металеву ліску, дріт або канат тощо. Вони можуть зламатись і стати небезпечними снарядами.

1. Вийміть акумуляторну батарею.
2. Видаліть залишкову ріжучу ліску, якщо це необхідно.
3. Відріжте 4 м ріжучої ліски, вставте ліску в кріпильний отвір усередині вушка (рис. R). Натисніть і витягніть ліску з іншої сторони, доки не з'явиться рівна кількість ліски з обох боків катушки.
4. Натискайте, обертаючи нижню кришку в зборі в напрямку стрілки, щоб намотати ліску на катушку, доки на кожній стороні не з'явиться приблизно 14 см ліски (рис. S).
5. Натисніть на нижню кришку в зборі, тягнучи за ліску, щоб просувати ліску вручну, і перевірте, чи тримерну головку зібрано правильно.

Коли ріжуча ліска виривається з лінійного отвору або ріжуча ліска не випускається під час удару тримерної головки, виконайте такі дії:

1. Натисніть на фіксатори верхньої кришки та зніміть нижню кришку в зборі, витягнувши її (рис. T та U).
2. Видаліть ріжучу ліску з катушки.
3. Тримавши однією рукою нижню кришку в зборі, іншою рукою візьміться за нижню кришку в зборі і сумістіть виступи на верхній кришці з отворами на нижній кришці в зборі (рис. V). Натискайте долонею на нижню кришку в зборі, доки фіксатори не зафіксуються на верхній кришці.
4. Дотримуйтеся інструкцій у розділі «ЗАМІНА ЛІСКИ», щоб заправити ріжучу ліску.

## ТЕХНІЧНЕ ОБСЛУГОВУВАННЯ

**⚠ ПОПЕРЕДЖЕННЯ.** Використовуйте для технічного обслуговування лише ідентичні запчастини. Регулярно оглядайте інструмент і виконуйте його обслуговування. Для гарантування безпеки та надійності всі ремонтні роботи повинен проводити кваліфікований технічний спеціаліст.

**⚠ ПОПЕРЕДЖЕННЯ.** Акумуляторні інструменти не потрібно підключати до електричної розетки; отже, вони завжди в робочому стані. Щоб запобігти серйозному травмуванню, вживайте додаткових заходів та будьте обережні під час технічного обслуговування або зміни різального обладнання чи інших пристосувань.

**⚠ ПОПЕРЕДЖЕННЯ.** Щоб запобігти серйозним травмам, вийміть акумуляторну батарею з інструмента перед обслуговуванням, очищенням, заміною додаткових насадок або видаленням матеріалу з пристрою.

## ОЧИЩЕННЯ ПРИЛАДУ

- Очиште прилад вологою ганчіркою з м'яким миючим засобом.
- Не використовуйте сильні миючі засоби на пластиковому корпусі або ручці. Вони можуть бути пошкоджені деякими ароматичними маслами, наприклад хвойним і лимонним, а також розчинниками, такими як гас. Вологість також може становити небезпеку удару. Обережно протріть вологу м'якою сухою тканиною.
- Використовуйте невелику щітку або невеликий пілосос із виводом повітря для очищення вентиляційних отворів ззаду на корпусі.

## ЗМАЩЕННЯ ЗУБЧАСТИХ ПЕРЕДАЧ

Зубчасті передачі в корпусі редуктора необхідно періодично змащувати трансмісійним мастилом. Перевіряйте рівень змащення корпусу редуктора приблизно кожні 50 годин роботи, знявши гвинт із гнізда на боці корпусу.

Якщо на боках редуктора не видно мастила, виконайте кроки нижче, щоб залити трансмісійне мастило на 3/4 ємності. Не заповнюйте редуктори повністю.

1. Тримайте лісовий тример на боці так, щоб герметичний гвинт був спрямований вгору (рис. W).
2. Використовуйте багатофункціональний гайковий ключ, який входить у комплект, щоб відкрутити та зняти герметичний гвинт.
3. Використовуйте шприц для змащення (не входить у комплект), щоб влити мастило в отвір; не перевищуйте 3/4 ємності.
4. Затягніть герметичний гвинт після вливання.

## ЗБЕРІГАННЯ ПРИЛАДУ

- Витягніть акумуляторну батарею з тримера, коли він не використовується.
- Перед зберіганням інструмент необхідно ретельно очистити.
- Зберігайте пристрій у сухому, добре вентиляваному, закритому або високо розташованому недоступному для дітей місці. Не зберігайте пристрій біля мінеральних добрив, бензину та інших хімікатів.

## Захист довкілля



Не викидайте електричне обладнання, зарядний пристрій та батарейки/акумулятори в побутові відходи! Відповідно до європейського закону 2012/19/ЄС електричне та електронне обладнання, яке більше не придатне для використання, і згідно з європейським законом 2006/66/ЄС дефектні або використані акумуляторні батареї мають збиратись окремо. Якщо електричний пристрій утилізується на сміттєзвалищі, небезпечні речовини можуть вилетіти в ґрунтові води та потрапити в харчовий ланцюг, що може зашкодити вашому здоров'ю та самопочуттю

## УСУНЕННЯ НЕСПРАВНОСТЕЙ

ПРОБЛЕМА	ПРИЧИНА	ВИРІШЕННЯ
Лісовий тример не запускається.	<ul style="list-style-type: none"> <li>■ Акумуляторна батарея не приєднана до тримера.</li> <li>■ Немає електричного контакту між тримером і батареєю.</li> <li>■ Акумуляторна батарея розряджена.</li> <li>■ Кнопка блокування та тригер не натиснуто одночасно.</li> </ul>	<ul style="list-style-type: none"> <li>■ Під'єднайте акумулятор до тримера.</li> <li>■ Вийміть акумулятор, перевірте контакти та знову встановіть акумулятор.</li> <li>■ Зарядіть акумуляторну батарею.</li> <li>■ Натисніть кнопку блокування та утримуйте її, а потім натисніть на тригер, щоб увімкнути лісовий тример.</li> </ul>
Лісовий тример зупиняється під час різання.	<ul style="list-style-type: none"> <li>■ Щиток не встановлено на тример, у результаті чого ріжуча ліска надмірно довга і мотор перевантажено.</li> <li>■ Використовується важка ріжуча ліска.</li> <li>■ У валі мотора або головці тримера застрягла трава.</li> <li>■ Мотор перевантажено.</li> <li>■ Акумулятор або лісовий тример занадто гарячі.</li> <li>■ Акумулятор від'єднано від інструмента.</li> <li>■ Акумуляторна батарея розряджена.</li> </ul>	<ul style="list-style-type: none"> <li>■ Вийміть акумуляторну батарею та встановіть щиток на тример.</li> <li>■ Використовуйте рекомендовану нейлонову ріжучу ліску з діаметром не більше 2,4 мм.</li> <li>■ Зупиніть тример, вийміть акумулятор і витягніть траву з вала мотора та головки тримера.</li> <li>■ Заберіть головку тримера з трави. Мотор відновить роботу, щойно навантаження буде усунуто. Під час різання переміщайте тримерну головку в траву і з неї, і прибирайте не більше 20 см за одне різання.</li> <li>■ Дайте акумуляторній батареї або тримеру охолонути, доки температура не опуститься нижче 67°C.</li> <li>■ Знову встановіть акумуляторну батарею.</li> <li>■ Зарядіть акумуляторну батарею.</li> </ul>

ПРОБЛЕМА	ПРИЧИНА	ВИРІШЕННЯ
Тримерна головка не просуває ліску.	<ul style="list-style-type: none"> <li>■ У валі мотора або головці тримера застрягла трава.</li> <li>■ На катушці бракує ліски.</li> <li>■ Тримерна головка брудна.</li> <li>■ Ліска заплуталась у катушці.</li> <li>■ Ліска занадто коротка.</li> </ul>	<ul style="list-style-type: none"> <li>■ Зупиніть тример, вийміть акумулятор і очистьте вал мотора та головку тримера.</li> <li>■ Вийміть акумулятор і замініть ріжучу ліску; дотримуйтеся вказівок у розділі «ЗАМІНА ЛІСКИ» в цьому посібнику.</li> <li>■ Вийміть батарею та очистьте тримерну головку.</li> <li>■ Змініть акумулятор, витягніть ліску з тримерної головки та перемотайте; дотримуйтеся вказівок у розділі «ЗАПРАВЛЕННЯ РІЖУЧОЇ ЛІСКИ» в цьому посібнику.</li> <li>■ Вийміть акумулятор і витягніть ліску вручну, поперемінно натискаючи та відпускаючи тримерну головку.</li> </ul>
Трава намоталася на головку тримера та корпус мотора.	<ul style="list-style-type: none"> <li>■ Різання високої трави на рівні землі.</li> </ul>	<ul style="list-style-type: none"> <li>■ Вірізайте високу траву згори вниз, видаляючи не більше 20 см за кожен прохід, щоб запобігти намотуванню.</li> </ul>
Тріщини на тримерній головці, або послаблюється кріплення нижньої кришки в зборі до верхньої кришки.	<ul style="list-style-type: none"> <li>■ Головка тримера зношена.</li> </ul>	<ul style="list-style-type: none"> <li>■ Замініть тримерну головку негайно, доручіть це кваліфікованому технічному спеціалісту.</li> </ul>

## ГАРАНТІЯ

### ПРАВИЛА ГАРАНТІЇ EGO

Відвідайте веб-сайт [egopowerplus.com](http://egopowerplus.com) для отримання повного тексту умов гарантійної політики EGO.

## ПРОЧЕТЕТЕ ВСИЧКИ ИНСТРУКЦИИ)



**ПРОЧЕТЕТЕ РЪКОВОДСТВОТО НА ОПЕРАТОРА**

**⚠️ Остатъчен риск!** Хора с електронни устройства, като пейсмейкър трябва да се консултират с лекуващия(те) си лекар(и) преди употреба на този продукт. Работата с електрическо оборудване в непосредствена близост до сърдечен пейсмейкър може да предизвика смущение или неизправност на пейсмейкъра.

**⚠️ ПРЕДУПРЕЖДЕНИЕ:** За да осигурите безопасността и надеждността, всички поправки и подмени трябва да се извършват от квалифициран сервизен техник.

## СИМВОЛИ ЗА БЕЗОПАСНОСТ

Целта на символите за безопасност е да превличат вниманието към възможни опасности. Символите за безопасност и обясненията към тях заслужават вашето повишено внимание и осъзнаване. Символите за безопасност сами по себе си не елиминират каквато и да е опасност. Инструкциите и предупрежденията, които предоставят не са заместители за подходящите мерки за предотвратяване на инцидент.

**⚠️ ПРЕДУПРЕЖДЕНИЕ:** Уверете се, че сте прочели и осъзнали всички инструкции за безопасност в това Ръководство на оператора, включително всички известяващи символи за безопасност, като **"ОПАСНОСТ," "ПРЕДУПРЕЖДЕНИЕ,"** и **"ВНИМАНИЕ"** преди да използвате този инструмент. Неспазването на всички инструкции изброени долу може да доведе до електрически шок, пожар и/или сериозно нараняване.

## ЗНАЧЕНИЕ НА СИМВОЛИТЕ

**СИМВОЛ СИГНАЛИЗИРАШ ЗА БЕЗОПАСНОСТ:** Показва **ОПАСНОСТ, ПРЕДУПРЕЖДЕНИЕ, ИЛИ ВНИМАНИЕ.** Могат да бъдат използвани във връзка с други символи или пиктограми.



### ⚠️ ПРЕДУПРЕЖДЕНИЕ:

Експлоатацията на всички електрически инструменти, може да доведе до изхвърляне на чужди предмети към вашите очи, което може да доведе до сериозно нараняване на окото. Преди започване на работа с електрически инструмент, винаги носете предпазни очила със странична защита и визьор за цялото лице, когато е необходимо. Ние препоръчваме предпазна маска с широк визьор за употреба над очила или стандартни предпазни очила със странична защита.

## ИНСТРУКЦИИ ЗА БЕЗОПАСНОСТ

Тази страница изобразява и описва символите за безопасност, които може да се появят по този продукт. Прочетете, осъзнайте и следвайте всички инструкции по машината преди предприемане на сглобяване или работа.

	Сигнал за безопасност	Показва риска от потенциално нараняване на човек.
	Прочетете ръководството на оператора	За намаляване на опасността от нараняване, потребителят трябва да прочете и разбере ръководството на оператора преди използването на този продукт.
	Носете защита за очите	Винаги носете защита за слуха, когато работите с този продукт.
	Носете защита за слуха	Винаги носете защита за слуха, когато работите с този продукт.
	Без режещо острие	Не монтирайте метални или пластмасови режещи ножове
	Дръжте околните хора надалеч	Уверете се, че други хора и домашни любимци спазват поне 15 м разстояние от тримера, когато го използвате.



	Дръжте околните хора надалеч	Уверете се, че други хора и домашни любимци спазват поне 15 м разстояние от тримера, когато го използвате.
	Шум	Ниво на звуково налягане
	Степен на защита от навли-зана на вода	Защита от водни пръски
V	Волта	Напрежение
mm	Мили-метър	Дължина или размер
cm	Сан-ти-метър	Дължина или размер
	Постоянен ток	Вид или характеристика на тока
n <sub>0</sub>	Скорост без натовар-ване	Скорост на въртене без товар
min <sup>-1</sup>	на минута	Обороти в минута

## ВАЖНИ ИНСТРУКЦИИ ЗА БЕЗОПАСНОСТ

**⚠ ПРЕДУПРЕЖДЕНИЕ!** Когато използвате електрически тримери, винаги трябва да бъдат спазвани основни предпазни мерки за безопасност, за да се намали риска от пожар, токов удар и лично нараняване, включвайки следното:

### ПРОЧЕТЕТЕ ВСИЧКИ ИНСТРУКЦИИ

**⚠ ОПАСНОСТ!** Не разчитайте на изолацията на инструмента срещу токов удар. За да намалите риска от токов удар, никога не работете с инструмента в близост до жици или кабели които могат да носят електрически ток.

**⚠ ВНИМАНИЕ!** Носете подходяща защита за слуха по време на употреба. При определени условия и продължителност на употреба, звукът от този продукт може да допринесе за загуба на слуха.

### ОБУЧЕНИЕ

- Прочете внимателно инструкциите. Запознайте се с управлението и правилната употреба на машината.

- Никога не позволявайте на хора, непознати с тези инструкции или деца да използват машината. Местните разпоредби могат да ограничат възрастта на оператора.
- Имайте предвид, че операторът или потребителят е отговорен за инциденти или опасности, причинени на други хора или тяхната собственост.

### ПОДГОТОВКА

- Никога не работете с машината, докато в близост има хора, особено деца или домашни любимци.
- Носете защита за очите и подсилени обувки по всяко време докато работите с машината.
- Разстоянието между машината и околните хора трябва да бъде минимум 15 м.
- Не използвайте метални ножове

### ЕКСПЛОАТАЦИЯ

- Използвайте машината единствено на дневна светлина или при добра изкуствена светлина.
- Никога не работете с машината с повредени предпазители или екрани или без поставени предпазители или екрани.
- Включете мотора само, когато ръцете и краката са далеч от режещите средства.
- Винаги разединете машината от захранването (примерно извадете щепсела от електрическата мрежа или извадете активиращото устройство).
  - когато оставяте машината без надзор;
  - преди почистване на задръстване;
  - преди проверка, почистване и работа по машината;
  - след удряне на чужд предмет;
  - когато машината започне да вибрира неестествено.
- Вземете предпазни мерки против контузии по краката и ръцете от средствата за рязане.
- Винаги бъдете сигурни, че вентилационните отвори са запазени чисти от отпадъци.

### ПОДДРЪЖКА И СЪХРАНЕНИЕ

- Разединете машината от захранването (примерно извадете щепсела от електрическата мрежа или извадете активиращото устройство) преди да извършите дейности по поддръжка и почистване.
- Използвайте единствено препоръчани от производителя резервни части и аксесоари.

- Проверявайте и поддържайте машината редовно. Ремонтирайте машината единствено в оторизирани сервиси.
- Когато не е в употреба, съхранете машината извън достъпа на деца.

## ДРУГИ ПРЕДУПРЕЖДЕНИЯ ЗА БЕЗОПАСНОСТ

- Избягвайте опасна среда - не използвайте тримери във влажни или мокри места.
- Винаги изключвайте кордовия тример или изваждайте батерията, когато оставяте тримера без надзор.
- Не използвайте по време на дъжд.
- Дръжте децата надалеч - всички наблюдатели трябва да бъдат държани настрана от зоната на работа.
- Облечайте се правилно - не носете отпуснати дрехи или бижута. Те могат да бъдат захванати от движещите се части. Използването на гумени ръкавици и масивни обувки е препоръчително, когато се работи на открито. Носете защитно покривало за косата, което да задържа дългата коса.
- Употреба на предпазни очила – Винаги използвайте предпазни очила, когато работите с машината.
- Използвайте правилния инструмент - не използвайте инструмента за друга работа освен за тази, за която е предназначен.
- Не претоварвайте тримера - той ще свърши работата по добре и с по малка вероятност от риск от нараняване при капацитета за който е проектиран.
- Не се пресягайте - запазете правилна стойка и баланс по всяко време.
- Бъдете концентрирани - внимавайте какво вършите. Използвайте здрав разум. Не работете с тримера, когато сте изморени.
- Не работете с тримера под влияние на алкохол или наркотици.
- Дръжте предпазителя по местата им в работно състояние.
- Съхранявайте тримера на закрито - когато не се използват тримерите трябва да бъдат съхранени на закрито, в сухо и високо или заключено място, с извадена акумулаторна батерия - извън достъпа на деца.
- Поддържайте тримера старателно - дръжте приставките за рязане чисти за най-добра производителност и за да намалите риска от нараняване. Следвайте инструкциите за смяна на аксесоари. Дръжте ръкохватките сухи, чисти и без масло и грес.
- Проверете повредените части - преди по нататъшно използване на тримера предпазителя или друга

част, която е повредена трябва да бъде внимателно проверена за да се определи дали ще работи правилно и ще извърши предназначенията функция. Проверете за разместване или блокиране на подвижни части, счупване на части, монтажа и всякакви други условия, които могат да окажат влияние на работата. Предпазител или други части, които са повредени трябва да бъдат правилно поправени или подменени от оторизирани сервизни център освен ако не е посочено друго в това ръководство.

- Почистете зоната, която трябва да бъде подрязана преди всяка употреба. Почистете всички обекти, като камъни, счупени стъкла, пирони, кабели или въжета, които могат да бъдат изхвърлени или да се оплетат в приставката за рязане. Уверете се, че други лица или домашни любимци са поне на 15 м разстояние.
- Преди да използвате машината и след всеки удар, проверете за признаци на износване или щети и поправете ако е необходимо.
- Винаги дръжте здраво тримера с двете ръце на ръкохватките когато работите. Използвайте захват с пръстите и палците си около ръкохватката.
- Избягвайте инцидентно стартиране - не носете тримера, когато пръстът ви е на спусъка.
- Не работете с тримера в бензинови изпарения или експлозивна атмосфера. Моторите в тези уреди обикновено подават искра и искрите могат да възпламенят изпаренията.
- Повреди по тримера - ако ударите чужд предмет с тримера или ако се оплетете, спрете незабавно инструмента, извадете батерията от кордовия тример, проверете за повреди и поправете всички щети преди да опитате по нататъшна работа. Не работете със счупен предпазител или ролка.
- Ако оборудването започне да вибрира неестествено, спрете мотора, отстранете акумулаторната батерия от кордовия тример и незабавно проверете за причината. Вибрациите обикновено са предупреждение за проблем. Разхлабена глава може да вибрира, напука, счупи или да излезе от тримера, което може да доведе до сериозно или фатално нараняване. Уверете се, че режещата приставка е правилно закрепена на местото си. Подменете незабавно ако главата се разхлаби след като сте я закрепили в позиция. Никога не използвайте тримера с разхлабени приставки за рязане.
- Подменете незабавно напукана, повредена или износена режеща глава, дори ако щетите са ограничени до повърхностни пукнатини. Подобни приставки могат да се пръснат при високи скорости и да причинят сериозно или фатално нараняване.
- Проверявайте режещите приставки на чести кратки интервали по време на работа или незабавно ако има забележима промяна в поведението при рязане.

- Използвайте единствено оторизирани от EGO™ аксесоари - полимерни корди за тример, които са проектирани за употреба с тази машина. Въпреки, че неоторизирани приставки могат да бъдат поставени в кордовия тример на EGO™, тяхната употреба може да бъде изключително опасна и/или водеща до повреда в инструментите.
- За да намалите риска от сериозно нараняване, никога не използвайте телени или метално подсилени корди или други материали вместо найлонови режещи корди. Парчета тел могат да се откъснат и да бъдат изхвърлени с висока скорост към оператора или околните хора.
- За да намалите риска от нараняване поради загуба на контрол, никога не работете на стълба или на някаква друга несигурна опора. Никога не дръжте приставката за рязане над нивото на талията.
- Ако настъпят събития, които не са засегнати в това ръководство, бъдете предпазливи и използвайте добра преценка. Свържете се с сервисния център на EGO за помощ.
- Не зареждайте акумулаторната батерия при дъжд или в мокра среда.
- Използвайте единствено акумулаторни батерии и зарядни EGO.

АКУМУЛАТОРНА БАТЕРИЯ	ЗАРЯДНО УСТРОЙСТВО
BA1120E, BA1400, BA2240E, BA2800, BA3360, BA4200, BA1400T, BA2800T, BA4200T	CH2100E, CH5500E

- Акумулаторната батерия, трябва да бъде премахната от уреда преди да бъде предаден за скрап.
- Батерията трябва да бъде безопасно изхвърлена като отпадък.
- Не изхвърляйте батерията в огън. Клетките могат да експлодират. Проверете местните власти за наличие на специални инструкции за изхвърляне.
- Не отваряйте или изменяйте батерията. Освободеният електролит е корозивен и може да причини щети по очите или кожата. Може да бъде токсичен ако е погълнат.
- Подходите с внимание при боравене с батерията за да не окъсите батерията с токопроводими материали като обещи, гивни и ключове. Батерията или проводникът може да прегреят и да причинят изгаряния.

- Когато обслужвате, използвайте само идентични резервни части на EGO™. Употребата на всякакви други аксесоари или приставки може да увеличи риска от нараняване.
- Инструментите с батерия не трябва да бъдат закачени към електрически контакт, поради това те винаги са в работно състояние. Бъдете подготвени за възможни опасности, дори когато инструментът не работи. Бъдете внимателни, когато извършвате поддръжка или обслужване.
- Не измивайте с маркуч, избягвайте попадане на вода в мотора и електрическите връзки.
- Запазете тези инструкции. Обръщайте се често към тях и ги използвайте за инструктиране на други, които може да използват този инструмент. Ако заемете този инструмент на някой друг, заемете им също и тези инструкции, за да се предотврати злоупотреба с продукта и вероятно нараняване.
- Винаги носете масивни обувки и дълги панталони по време на работа с машината.
- Винаги бъдете сигурни в стабилността на краката при наклони и винаги вървете, никога не бягайте.

## ЗАПАЗЕТЕ ТЕЗИ ИНСТРУКЦИИ!

## СПЕЦИФИКАЦИИ

Напрежение	56 V ---	
Скорост без натоварване	5000/6000 min <sup>-1</sup>	
Механизъм за рязане	Ударна глава	
Вид режеща корда	2,4 м найлонова усукана корда	
Ширина на рязане	38 cm	
Тегло (без акумулаторна батерия)	4,21Kg	
Измерено ниво на сила на звука L <sub>WA</sub>	94,3 dB(A) K=1,37 dB(A)	
Ниво на звуково налягане при ухото на оператора L <sub>PA</sub>	82,6 dB(A) K=3 dB(A)	
Гарантирано ниво на сила на звука L <sub>WA</sub> (съгласно 2000/14/EC)	96 dB(A)	
Вибрации при a <sub>n</sub>	Задна ръкохватка	3,97 m/s <sup>2</sup> K=1,5 m/s <sup>2</sup>
	Предната спомагателна ръкохватка	2,78 m/s <sup>2</sup> K=1,5 m/s <sup>2</sup>

## ОПАКОВЪЧЕН ЛИСТ

ИМЕ НА ЧАСТ	БРОЙ
Кордов тример	1
Предпазител	1
Предната спомагателна ръкохватка	1
Ключ шестограм	1
Многофункционален гаечен ключ	1
Ремък за рамо	1
Ръководство на оператора	1

## ОПИСАНИЕ

### ЗАПОЗНАЙТЕ СЕ С ВАШИЯ КОРДОВ ТРИМЕР (Фиг. А)

1. Ограничителен пръстен
2. Спусък
3. Задна ръкохватка
4. Вход за въздух
5. Бутон за отключване
6. Превключвател за скорост висока/ниска
7. Монтажна халка за раменния Ремък
8. Регулируема предна спомагателна ръкохватка
9. Ремък за рамо
10. Мултифункционален гаечен ключ
11. Ключ шестограм
12. Тримерна глава (ударна глава)
13. Режеща корда
14. Бутон за освобождаване
15. Режещ нож за кордата
16. Предпазител
17. Механизъм за изваждане
18. Електрически контакти
19. Резе
20. Предпазна гумена подложка
21. Бутон за освобождаване на батерията

## МОНТАЖ

**⚠ ПРЕДУПРЕЖДЕНИЕ:** ПРЕДУПРЕЖДЕНИЕ: Ако някои от частите са повредени или липсват, не работете с този продукт, докато частите не се подменят. Използването на този продукт с повредени или липсващи части може да доведе до сериозно лично нараняване.

**⚠ ПРЕДУПРЕЖДЕНИЕ:** Не се опитвайте да модифицирате този продукт или да създадете аксесоари, които не се препоръчват за употреба с този кордов тример. Всяка такава промяна или модификация е злоупотреба и може да доведе до опасни условия с последици от възможни сериозни наранявания.

**⚠ ПРЕДУПРЕЖДЕНИЕ:** За да предотвратите случайно стартиране, което може да причини сериозно нараняване винаги изваждайте акумулаторната батерия от инструмента, когато сглобявате частите.

### МОНТАЖ НА ПРЕДПАЗИТЕЛЯ

**⚠ ПРЕДУПРЕЖДЕНИЕ:** Винаги носете ръкавици, когато монтирате или подменят предпазителя. Пазете се от ножа на предпазителя и защитете вашата ръка от нарязване.

**⚠ ПРЕДУПРЕЖДЕНИЕ:** Никога не работете с инструмента без предпазителят да е здраво на мястото си. Предпазителят трябва винаги да е на инструмента, за да предпазва потребителя. Когато предпазителят е фиксиран, никога не се опитвайте да извадите или да регулирате предпазителя, ако е необходима подмяна, трябва да бъде извършена от квалифициран сервизен техник!

1. Разхлабете и извадете двата винта от предпазителя (фиг. В).
2. Подравнете монтажните отвори на предпазителя с отворите за монтажния механизъм и след това захванете предпазителя в основата на щангата с двата винта заедно с две пружинни шайби (фиг. С).

**ЗАБЕЛЕЖЕТЕ:** Уверете се, че предпазителят е закрепен съгласно фиг. В и С, всяко закрепване на обратно ще причини голяма опасност!

## МОНТИРАНЕ И РЕГУЛИРАНЕ НА ПРЕДНАТА СПОМАГАТЕЛНА РЪКОХВАТКА

1. Разхлабете фиксиращия прът в предната спомагателна ръкохватка и снемете фиксиращия прът и крилчатата гайка от предната спомагателна ръкохватка (фиг. D).

Фиг. D - за описание на части виж по-долу:

D-1	Фиксиращ прът	D-3	Затягащ блок
D-2	Предната Спомагателна ръкохватка	D-4	Крилчатата гайка

2. Избутайте предната спомагателна ръкохватка по вала (фиг. E).
3. Поставете затягащия блок в отвора на ръкохватката (фиг. F).
4. Монтирайте заключването на пръта и затегнете предварително с крилчатата гайка. Уверете се, че предната спомагателна ръкохватка е нагоре и сочи към върха на задната ръкохватка (фиг. G).
5. Регулирайте предната спомагателна ръкохватка между ограничителния пръстен и етикета, за да сте сигурни, че вашата предна ръка е права, когато работите (фиг. H).
6. Застопорете лоста на фиксиращия прът. (Фиг. I).

**ЗАБЕЛЕЖЕТЕ:** Горната спомагателна ръкохватка трябва да бъде завъртяна нагоре за да сочи към върха на задната ръкохватка.

**⚠ ПРЕДУПРЕЖДЕНИЕ:** Закрепете предната спомагателна ръкохватка единствено между ограничителния пръстен и етикета на щангата.

**⚠ ПРЕДУПРЕЖДЕНИЕ:** Инструментът не може да бъде използван без сигурно затегната предна спомагателна ръкохватка.

## МОНТИРАНЕ НА РЕМЪКА ЗА РАМО

Натиснете куката на ремъка, за да я отворите и я закрепете върху монтажната халка за раменния ремък (фиг. J).

## РАБОТА

**⚠ ПРЕДУПРЕЖДЕНИЕ:** Не позволявайте рутината с този продукт да ви направи непредпазливи. Запомнете, че невнимание за малка част от секундата е достатъчна за да нанесете сериозно нараняване.

**⚠ ПРЕДУПРЕЖДЕНИЕ:** Винаги носете предпазни работни очила или предпазни очила със страничен щит заедно със защитата за слуха. Ако не го направите може да се стигне до изхвърляне на предмети към очите ви и други възможни сериозни наранявания.

**⚠ ПРЕДУПРЕЖДЕНИЕ:** Не използвайте други приставки или аксесоари, които не са препоръчани от производителя на този продукт. Употребата на приставки или аксесоари, които не са препоръчани, може да доведе до сериозно нараняване.

**⚠ ПРЕДУПРЕЖДЕНИЕ:** За да предотвратите сериозно нараняване, извадете акумулаторната батерия от инструмента, преди обслужване, почистване, смяна на приставките или изваждане на материал от устройството.

Може да използвате този продукт за целите описани долу:

**Подкастриране:** използва се за да се премахне тревата и плевелите до стени, огради, дървета и лехи.

**Рязане:** използва се за рязане на трева, която е трудно достъпна използвайки нормална косачка.

**ЗАБЕЛЕЖЕТЕ:** Инструментът трябва да бъде използван само за предназначения цели. Всяка друга употреба, примерно подрязване на ръбове се смята за случай на злоупотреба.

## МОНТИРАНЕ/ИЗВАЖДАНЕ НА АКУМУЛАТОРНАТА БАТЕРИЯ

**Заредете напълно преди първата употреба**

### За да закрепите

Подравнете ребрата на акумулаторната батерия с монтажните жлебове и натиснете батерията надолу, докато чуете "щракване" (Фиг. K).

### За да извадите

Натиснете бутона за освобождаване на батерията и издърпайте акумулаторната батерия навън, както е показано на фиг. L.

Фиг. L описание на части виж долу:

L-1	Бутон за освобождаване на батерията
-----	-------------------------------------

## ХВАЩАНЕ НА КОРДОВИЯ ТРИМЕР

**▲ ПРЕДУПРЕЖДЕНИЕ:** ПРЕДУПРЕЖДЕНИЕ: Облечете се правилно за да намалите риска от нараняване, когато работите с този инструмент. Не носете отпуснати дрехи или бижута. Носете защита за очите и защита за очите/слуха. Носете дебели, дълги панталони, ботуши и ръкавици. Не носете къси панталони или сандали или не ходете боси.

Преди работа застанете в работна позиция и проверете за защита на очите, правилно облекло, стабилна позиция на краката и прави ръце, които да държат предната спомагателна ръкохватка.

**ЗАБЕЛЕЖЕТЕ:** Главата на тримера е успоредна на земята на правилно разстояние за рязане, без операторът да се превежда (фиг. N).

За безопасна и правилна работа, поставете ремъка за рамо през рамото, в съответствие с фиг. N. Настройте ремъка за рамо в удобна позиция за работа. Дръжте кордовия тример с двете ръце: Едната ръка трябва да бъде на задната ръкохватка, а другата на предната спомагателна ръкохватка.

Има два начина да освободите ремъка. Свалете го директно от вашето рамо (фиг. O) или натиснете куката на ремъка и я отделете от монтажната халка за раменния ремък, закрепена на щангата (фиг. P).

**▲ ПРЕДУПРЕЖДЕНИЕ:** Ремъкът за рамо, също е механизъм за бързо освобождаване при опасни ситуации. При наличие на аварийна ситуация, незабавно го свалете от рамото си, независимо по кой начин се намира ремъка.

## СТАРТИРАНЕ/СПИРАНЕ НА КОРДОВИЯ ТРИМЕР (Фиг. M)

### За да стартирате

Натиснете и задръжте лоста за отключване и след това натиснете спусъка. Различен натиск върху спусъка води до различна скорост на въртене на режещата корда. Повече натиска, по-висока скорост.

### За да спрете

Освободете спусъка.

**ЗАБЕЛЕЖЕТЕ:** Моторът се движи единствено, когато бутонът за отключване и спусъка са натиснати заедно.

**▲ ПРЕДУПРЕЖДЕНИЕ:** Винаги изваждайте акумулаторната батерия от тримера по време на работни прекъсвания и след завършване на работата.

## Функция за регулиране на скоростта (Фиг. M)

Кордовият тример има две скорости. Позиция "1" е за ниска скорост, докато позиция "2" е за висока скорост. Бутнете или дръпнете ключа за висока/ниска скорост, за да изберете подходяща скорост по време на работа. Фиг. M описание на части виж долу:

M-1	Превключвател за скорост висока/ниска
M-2	Бутон за отключване
M-3	Спусък

## ИЗПОЛЗВАНЕ НА КОРДОВИЯ ТРИМЕР

**▲ ПРЕДУПРЕЖДЕНИЕ:** За да избегнете сериозно нараняване, носете предпазни очила по всяко време, когато работите с този уред. Носете маска за лицето или прахова маска при запрашени места.

Почистете зоната, която трябва да бъде подрязана преди всяка употреба. Почистете всички обекти, като камъни, счупени стъкла, пирони, кабели или въжета, които могат да бъдат изхвърлени или да се оплетат в приставката за рязане. Изчистете зоната от деца, околни хора или домашни любимци. Като минимум дръжте всички деца, околни хора и домашни любимци минимум на 15 м разстояние, въпреки това пак може да съществува риск за околните от изхвърлени обекти. Околните наблюдатели трябва да бъдат насърчени да носят защита за очите. Ако бъдете приближен от човек спрете незабавно мотора и приставката за рязане.

Преди всяка употреба проверявайте за повредени/износени части

Проверете ударната глава, предпазителя и предната спомагателна ръкохватка и подменете всички части, които са напукани, деформирани, изкривени или повредени по някакъв начин.

Режещият нож за кордата на ръба на предпазителя може да се изгъли в течение на времето. Препоръчва се периодично да го заточвате с пила или да го подмените с нов нож.

**▲ ПРЕДУПРЕЖДЕНИЕ:** Винаги носете ръкавици, когато монтирате предпазителя или обслужвате ножа. Внимавайте за ножа в предпазителя и защитете своята ръка от порязване.

## След всяка употреба почистете тримера.

**▲ ВНИМАНИЕ:** ОЗапущвания на вентилационните отвори ще предотвратят навлизане на въздух във корпуса мотора и ще доведат до прегряване или повреда на мотора.

- Използвайте единствено мек сапун и влажна кърпа за да почистите инструмента. Никога не позволявайте каквато и да е течност да навлезе вътре в инструмента, никога не потапяйте някоя част от инструмента във вода.
- По всяко време пазете вентилационните отвори в корпуса на мотора от отпадъци.

**⚠ ПРЕДУПРЕЖДЕНИЕ:** Никога не използвайте вода за почистване на тримера. Избягвайте употребата на разтворители, когато почиствате пластмасовите части. Повечето пластмаси са податливи на повреда от различни видове разтворители, предлагани в търговската мрежа. Използвайте чист плат, за премахване на

### РЕГУЛИРАНЕ НА ДЪЛЖИНАТА НА РЕЖЕЩАТА КОРДА

Главата на тримера позволява на оператора да отпусне повече режеща корда без да спира мотора. Когато кордата стане разкъсана или износена, може да бъде отпусната допълнителна корда чрез леко потупване в земята на главата на тримера (Фиг. Q).

**ЗАБЕЛЕЖЕТЕ:** Освобождането на корда ще стане по трудно, с намаляването на кордата

**⚠ ПРЕДУПРЕЖДЕНИЕ:** Не премахвайте или променяйте устройството на режещия нож за кордата= Прекалената дължина на кордата ще причини прегряване на мотора и може да доведе до сериозно нараняване.

### ПОДМЯНА НА КОРДАТА

**ЗАБЕЛЕЖЕТЕ:** Винаги използвайте препоръчителната найлонова режеща корда, с диаметър не надвишаващ 2,4 мм. Използване на корда различна от посочената може да причини прегряване или повреда на тримера.

**⚠ ПРЕДУПРЕЖДЕНИЕ:** Никога не използвайте метално подсилена корда, жица или въже и др. Те могат да се счупят и да станат опасни летящи предмети.

1. Премахнете акумулаторната батерия.
2. Премахнете оставащата корда за рязане ако е необходимо.
3. Отрежете 4 м корда вкарайте кордата в монтажния отвор вътре в ухото (Фиг. R).. Избугтайте и дръпнете кордата от другата страна, докато еднакво количество корда се появи от двете страни на макарата.

4. Натиснете, докато въртите възела на долния капак по посока на стрелката, за да навиете кордата в макарата, докато остане приблизително 14 см корда, показваща се от двете страни (Фиг. S).
5. Бутнете надолу възела на долния капак, докато издръпвате кордата за да я придвижите ръчно напред и да проверите за правилно сглобяване на главата на тримера.

Когато кордата за рязане се откъсне от изхода за кордата или кордата за рязане не се освобождава, когато потупвате главата на тримера, следвайте долните стъпки:

1. Натиснете пластината за освобождение на горния капак и снемете долния капак, като го издръпате право навън (Фиг. T и U).
2. Извадете кордата за рязане от макарата.
3. Като държите с една ръка възела на долния капак, използвайте другата ръка за да хванете възела на долния капак и подравнете пластините на горния капак с отворите във възела на долния капак (Фиг. V); използвайте дланта си, за да притиснете възела на долния капак, докато пластините се фиксират в горния капак.
4. Следвайте инструкциите в "ПОДМЯНА НА КОРДАТА", за да презаредите режещата корда.

### ПОДДРЪЖКА

**⚠ ПРЕДУПРЕЖДЕНИЕ:** Когато обслужвате, използвайте само идентични резервни части. Проверявайте и поддържайте машината редовно. За да осигурите безопасността и надеждността, всички поправки трябва да се извършват от квалифициран сервизен техник.

**⚠ ПРЕДУПРЕЖДЕНИЕ:** Инструментите с батерия не трябва да бъдат закачени към електрически контакт, поради това те винаги са в работно състояние. За да предотвратите сериозно нараняване вземете допълнителни предпазни мерки и грижи, когато извършвате поддръжка, обслужване или при смяна на режещите или други приставки.

**⚠ ПРЕДУПРЕЖДЕНИЕ:** За да предотвратите сериозно нараняване, извадете акумулаторната батерия от инструмента, преди обслужване, почистване, смяна на приставките или изваждане на материал от устройството.

## ПОЧИСТВАНЕ НА УРЕДА

- Почистете уреда използвайки влажна кърпа и мек почистващ препарат.
- Не използвайте силен почистващ препарат по пластмасата на корпуса или ръкохватката. Те могат да бъдат повредени от определени ароматни масла като бор и лимон и от разтворители като керосин. Влагата също може да причини токов удар. Избършете всякава влага със суха мека кърпа.
- Използвайте малка четка или изпусканата въздушна струя от малка четка на прахосмукачка за да почистите, вентилационните отвори в задната страна на корпуса.

## СМАЗВАНЕ НА ПРЕДАВКИТЕ НА ТРАНСМИСИЯТА

Предавките на трансмисията в предавателната кутия трябва да бъдат периодично смазвани със смазка за редукторни предавки. Проверете нивото на смазката в предавателната кутия приблизително на всеки 50 часа работа, като извадите уплътняващия винт от страни на кутията.

Ако не може да бъде видяна смазка по страните на редуктора, следвайте долните стъпки за да запълните с грес за редукторни предавки до 3/4 от капацитета. Не напълвайте изцяло предавките на трансмисията.

1. Дръжте тримера на една страна, така че уплътняващият винт да сочи нагоре (фиг. W).
2. Използвайте предоставения мултифункционален ключ за да разхлабите и премахнете уплътняващия винт.
3. Използвайте гресьорка (не е включена) за да вкарате малко грес е отвора на винта, не надвишавайте 3/4 от капацитета.
4. Затегнете уплътняващия винт след гресирането.

## СЪХРАНЯВАНЕ НА УРЕДА

- Извадете акумулаторната батерия от кордовия тример, когато не е в употреба.
- Почистете изцяло инструмента преди да го съхраните.
- Съхранете уреда в сухо място с добра вентилация, заключен или съхраняван на високо извън достъпа на деца. Не съхранявайте уреда в близост или върху тор, бензин или други химикали.

## Опазване на околната среда



Не изхвърляйте електрическо оборудване, зарядно устройство за акумулаторни батерии и батерии/ акумулаторни батерии в домакинския отпадък.

Съгласно европейския закон 2012/19/ ЕС, електрическо и електронно оборудване, което повече не може да се използва и съгласно европейското законодателство 2006/66/ ЕО, дефектните или използваните акумулаторни батерии/батерии трябва да се събират отделно.

Ако се изхвърлят електрически уреди в сметища или буница, опасни вещества могат да изтекат в подпочвените води и да попаднат в хранителната верига, като увредят вашето здраве и благосъстояние.



## ОТСТРАНЯВАНЕ НА ПРОБЛЕМИ

ПРОБЛЕМ	ПРИЧИНА	РЕШЕНИЕ
Кордовият тример не може да стартира.	<ul style="list-style-type: none"> <li>■ Аккумуляторната батерия не е прикрепена към тримера.</li> <li>■ Няма електрически контакт между тримера и батерията.</li> <li>■ Аккумуляторната батерия е изтощена.</li> <li>■ Бутонът за отключване и спусъкът не са натиснати едновременно.</li> </ul>	<ul style="list-style-type: none"> <li>■ Закрепете аккумуляторната батерия към тримера.</li> <li>■ Извадете батерията, проверете контактите и поставете наново аккумуляторната батерия.</li> <li>■ Сменете аккумуляторната батерия.</li> <li>■ Натиснете и задръжте бутона за отключване и след това натиснете спусъка за да включите тримера.</li> </ul>
Кордовият тример спира по време на рязане.	<ul style="list-style-type: none"> <li>■ Предпазителят не е монтиран на тримера, което води до прекалено дълга режеща корда и прегряване на мотора.</li> <li>■ Използвана е тежка корда за рязане.</li> <li>■ Валът на мотора и тримерната глава са обвити в трева.</li> <li>■ Моторът е претоварен.</li> <li>■ Аккумуляторната батерия или кордовият тример са твърде горещи.</li> <li>■ Аккумуляторната батерия е разединена от инструмента.</li> <li>■ Аккумуляторната батерия е изтощена.</li> </ul>	<ul style="list-style-type: none"> <li>■ Извадете аккумуляторната батерия и монтирайте предпазителя на тримера.</li> <li>■ Използвайте препоръчана найлонова режеща корда с диаметър не повече от 2,4 mm.</li> <li>■ Спрете тримера, извадете батерията и извадете тревата от вала на мотора и тримерната глава.</li> <li>■ Извадете тримерната глава от тревата. Моторът ще се възстанови за работа веднага след като товарът бъде отстранен. Когато режете изваждайте и вкарвайте тримерната глава в тревата, която трябва да бъде отрязана и отстранявайте не повече от 20 cm.</li> <li>■ Позволете на аккумуляторната батерия или тримера да се охлади, докато температурата спадне под 67°C.</li> <li>■ Монтирайте отново аккумуляторната батерия.</li> <li>■ Сменете аккумуляторната батерия.</li> </ul>

ПРОБЛЕМ	ПРИЧИНА	РЕШЕНИЕ
Главата на тримера не издърпва кордата.	<ul style="list-style-type: none"> <li>■ Валът на мотора и тримерната глава са обвити в трева.</li> <li>■ Няма достатъчно корда на макарата.</li> <li>■ Главата на тримера е замърсена.</li> <li>■ Кордата е оплетена върху макарата.</li> <li>■ Кордата е твърде къса.</li> </ul>	<ul style="list-style-type: none"> <li>■ Спрете тримера, извадете батерията и почистете вала на мотора и тримерната глава.</li> <li>■ Отстранете батерията и подменете кордата за рязане, следвайте раздел "ПОДМЯНА НА КОРДАТА" в това ръководство.</li> <li>■ Извадете батерия и почистете главата на тримера.</li> <li>■ Извадете батерията, извадете кордата от главата на тримера и превъртете, следвайте раздел "ПРЕЗАРЕЖДАНЕ НА РЕЖЕЩАТА КОРДА" в това ръководство.</li> <li>■ Извадете батерията и издърпайте ръчно кордата, като последователно натиснете и освободите главата на тримера.</li> </ul>
Тревата обгръща главата на тримера и корпуса на мотора.	<ul style="list-style-type: none"> <li>■ Рязане на висока трева при нивото на земята.</li> </ul>	<ul style="list-style-type: none"> <li>■ Режете висока трева от горе на долу, като не отстранявате повече от 20 cm за да предотвратите увиване.</li> </ul>
Пукнатини по тримерната глава или възелът на долния капак се е разхлабил от горния капак.	<ul style="list-style-type: none"> <li>■ Главата на тримера е износена.</li> </ul>	<ul style="list-style-type: none"> <li>■ Осигурете незабавна смяна на главата на тримера от квалифициран сервизен техник.</li> </ul>

## ГАРАНЦИЯ

### ГАРАНЦИОННА ПОЛИТИКА EGO

Моля, посетете уебсайта [egopowerplus.com](http://egopowerplus.com) за пълните срокове и условия по гаранционната политика на EGO.

## BEŽIČNI ŠIŠAČ SA ŽINJOM OD 56 VOLTI



**READ OPERATOR'S MANUAL  
PROČITAJTE KORISNIČKI PRIRUČNIK**

**⚠ Preostale opasnosti!** Osobe s elektroničkim uređajima poput srčanih elektrostimulatora prije korištenja ovog proizvoda trebaju se posavjetovati sa svojim liječnikom. Rad električne opreme u neposrednoj blizini srčanih elektrostimulatora može prouzročiti smetnju ili kvar srčanog elektrostimulatora.

**⚠ UPOZORENJE!** Radi osiguranja sigurnosti i pouzdanosti sve popravke i zamjene treba obavljati kvalificirani servisni tehničar.

## SIGURNOSNI SIMBOLI

Svrha sigurnosnih simbola je skretanje pozornosti na moguće opasnosti. Sigurnosni simboli i njihova objašnjenja zahtijevaju vašu potpunu pozornost i razumijevanje. Sami simboli upozorenja ne isključuju opasnost. Upute i upozorenja koja pružaju nisu zamjena za propisne mjere za prevenciju nesreća.

**⚠ UPOZORENJE!** Prije korištenja ovog alata pobrinite se da sve upute u ovom korisničkom priručniku, uključujući sve sigurnosne simbole kao što su "OPASNOST", "UPOZORENJE" I "OPREZ" pročitate s razumijevanjem. Zanemarivanje svih uputa navedenih u nastavku može rezultirati strujnim udarom, požarom i/ili teškim tjelesnim ozljedama.

## ZNAČENJE SIMBOLA

**SIGURNOSNI SIMBOL:** ukazuje na OPASNOST, UPOZORENJE ILI OPREZ. Može se koristiti u kombinaciji s drugim simbolima ili piktogramima.



**⚠ UPOZORENJE!** Rukovanje električnim alatima može rezultirati odbacivanjem stranih predmeta u oči što opet može izazvati teška oštećenja očiju. Prije početka rukovanja električnim alatom uvijek nosite zatvorene zaštitne naočale ili zaštitne naočale s bočnim štitnicima, a prema potrebi i štitnik za cijelo lice. Preporučujemo nošenje sigurnosne maske proizvođača Wide Vision preko naočala, ili nošenje standardnih zaštitnih naočala s bočnim štitnicima.

## SIGURNOSNE NAPOMENE

Na ovoj stranici slikovno su prikazani i objašnjeni sigurnosni simboli koji se mogu pojaviti na ovom proizvodu. Prije pokušaja sastavljanja i rukovanja s razumijevanjem pročitajte sve upute na stroju i pridržavajte ih se.

	Simbol upozorenja	Označava moguću opasnost od tjelesne ozljede
	Pročitajte korisnički priručnik.	Radi smanjenja opasnosti od ozljeda, prije korištenja ovog proizvoda korisnik treba s razumijevanjem pročitati korisnički priručnik.
	Nosite zaštitu za oči.	Kada upotrebljavate proizvod, nosite zaštitu za sluh.
	Nosite zaštitu za sluh.	Kada upotrebljavate proizvod, nosite zaštitu za sluh.
	Bez rezne oštrice	Nemojte postavljati metalne ili plastične rezne noževе
	Promatrače držite na udaljenosti.	Pobrinite se da druge osobe i kućni ljubimci ostanu najmanje 15 m udaljeni od šišača trave s reznom niti kada je u uporabi.
	Promatrače držite na udaljenosti.	Pobrinite se da druge osobe i kućni ljubimci ostanu najmanje 15 m udaljeni od šišača trave s reznom niti kada je u uporabi.
	Buka	Razina zvučnog tlaka
	Stupanj mehaničke zaštite od prodora predmeta	Zaštita od prskajuće vode
V	Volt	Napon
mm	Milimetar	Duljina ili veličina
cm	Centimetar	Duljina ili veličina
	Istosmjerna struja	Vrsta ili karakteristike struje
$n_0$	Brzina bez opterećenja	Broj okretaja u praznom hodu
$\text{min}^{-1}$	U minuti	Okretaji u minuti

## VAŽNE UPUTE U VEZI SIGURNOSTI

**⚠ UPOZORENJE!** Kada koristite električne šišače trave s reznom niti, potrebno je uvijek pridržavati se osnovnih mjera opreza kako bi se smanjio rizik od požara, strujnog udara i tjelesnih ozljeda, uključujući sjedeće:

## PROČITAJTE UPUTE U CIJELOSTI

**⚠ OPASNOST!** Nemojte se pouzdati u izolaciju alata od strujnog udara. Radi smanjenja rizika od strujnog udara, stroj ne koristite u blizini vodiča ili kabela koji su možda od naponom.

**⚠ OPREZ!** Tijekom uporabe nosite odgovarajuću osobnu zaštitu za sluh. U određenim okolnostima i trajanju uporabe buka koju stvara ovaj proizvod može pridonijeti gubitku sluha.

## OBUKA

- Pazorno pročitajte upute. Upoznajte se s upravljačkim elementima i propisnom uporabom stroja.
- Nikada nemojte dopustiti da osobe koje nisu upoznate s ovim uputama ili djeca koriste stroj. Lokalni propisi mogu ograničavati starosnu dob rukovatelja.
- Imajte na umu da je rukovatelj ili korisnik odgovoran za nesreće ili opasnosti za druge osobe ili njihovu imovinu.

## PRIPREMA

- Strojem nikada ne rukujete kada se u blizini nalaze osobe, a posebno djeca ili kućni ljubimci.
- Nosite zaštitu za oči i čvrstu obuću cijelo vrijeme dok rukujete strojem.
- Razdaljina između stroja i promatrača treba biti najmanje 15 m.
- Nemojte koristiti metalne noževe

## RAD

- Stroj koristite samo pri dnevnom svjetlu ili dobrom umjetnom osvjetljenju.
- Strojem nikada ne rukujete ako su štitnici ili zaštitni uređaji oštećeni ili ako nisu na svom mjestu.
- Motor uključite samo kada se ruke i stopala nalaze podalje od reznih elemenata.
- Stroj uvijek odspojite od strujnog napajanja (tj. izvucite utikač iz strujne utičnice ili uklonite uređaj za deaktiviranje).
  - kada stroj ostavljate bez nadzora;
  - prije čišćenja prepreka;
  - prije provjere, čišćenja ili rada sa strojem;

- nakon udaranja o strani predmet;
- kada stroj počne neuobičajeno vibrirati.
- Zaštitite se od ozljeda stopala i ruku od reznih elemenata.
- Uvijek se pobrinite da ventilacijski otvori ne budu zapriječeni.

## ODRŽAVANJE I SKLADIŠTENJE

- Prije obavljanja radova održavanja ili čišćenja stroj odspojite od strujnog napajanja (tj. izvucite utikač iz strujne utičnice ili uklonite uređaj za deaktiviranje).
- Koristite samo zamjenske dijelove i pribor koje je preporučio proizvođač.
- Redovito obavljajte pregled i održavanje stroja. Popravak stroja prepustite samo ovlaštenom osoblju za popravak.
- Kada ga ne koristite, stroj čuvajte izvan dohvata djece.

## OSTALA SIGURNOSNA UPOZORENJA

- Izbjegavajte opasna okruženja – Ne koristite šišače trave na vlažnim ili mokrim mjestima.
- Kada ga ostavljate bez nadzora, šišač trave s reznom niti uvijek isključite ili izvadite komplet baterija.
- Ne koristite na kiši.
- Djecu držite podalje – Sve posjetitelje potrebno je držati na udaljenosti od radnog područja.
- Propisno se obucite – Ne nosite široku odjeću ili nakit. Mogu ih zahvatiti pokretni dijelovi. Tijekom rada na otvorenom preporučujemo koristiti gumene rukavice i čvrstu obuću. Nosite zaštitno pokrivalo za kosu za obuhvaćanje duge kose.
- Koristite zaštitne naočale - koristite zaštitne naočale kada radite sa strojem.
- Koristite odgovarajući alat – Ne koristite alat za druge radove osim za radove za koje je namijenjen.
- Ne preopterećujte šišač trave – Šišač trave bolje će odraditi posao uz manju vjerojatnost rizika od ozljeda pri brzini za koju je konstruiran.
- Nemojte se previše ispružiti – Cijelo vrijeme održavajte propisno držanje i ravnotežu.
- Budite oprezni – Gledajte što radite. Postupajte razumno. Ne rukujte šišačem trave kada ste umorni.
- Šišač trave nikada ne koristite pod utjecajem alkohola ili lijekova.
- Održavajte štitnike na njihovom mjestu i u radnom stanju.
- Šišač pohranjajte u zatvorenim prostorima – Kada se ne koristi, šišač je potrebno pohranjivati u zatvorenim prostorima na suhom i visokom ili zaključanom mjestu bez kompleta baterija – izvan dohvata djece.

- Pažljivo održavajte šišač trave – Za najbolji radni učinak i smanjenje rizika od ozljeda rezni priključak održavajte čistim. Pridržavajte se uputa za zamjenu pribora. Rukohvate održavajte suhim, čistim i očišćenim od ulja i masti.
- Provjerite ima li oštećenih dijelova – Prije daljnje uporabe šišača trave potrebno je pažljivo provjeriti štitnik ili drugi oštećeni dio kako biste utvrdili hoće li propisno raditi i obavljati svoju namjensku funkciju. Provjerite jesu li pokretni dijelovi centrirani i spojeni, ima li polomljenih dijelova, jesu li dijelovi montirani i postoji li stanje koje može negativno utjecati na rad stroja. Štitnik ili drugi oštećeni dio treba propisno popraviti ili zamijeniti ovlašteni servisni centar ako u priručniku nije drukčije navedeno.
- Prije svake uporabe očistite radno područje. Uklonite sve predmete poput kamenja, razbijenog stakla, čavala, žica ili niti koje stroj može odbaciti ili koji se mogu zaplesti u rezni priključak. Uvjerite se da se druge osobe i kućni ljubimci nalaze na udaljenosti od najmanje 15 m.
- Prije korištenja stroja i nakon svakog udara provjerite postoje li znakovi istrošenosti ili oštećenja i prema potrebi obavite popravak.
- Tijekom korištenja šišač trave uvijek držite čvrsto, objema rukama za rukohvate. Rukohvate obuhvatite prstima i palčevima.
- Izbjegavajte nenamjerno pokretanje – Šišač trave ne nosite držeći prst na okidaču.
- Šišač trave ne koristite u područjima gdje se skladišti benzin ili eksplozivnim područjima. Motori u ovim uređajima obično iskre, a iskre mogu zapaliti isparenja.
- Oštećenje šišača trave – Ako šišačem trave udarite od strani predmet ili ako se strani predmet zaplete u šišač trave, odmah zaustavite alat, iz šišača trave uklonite komplet baterija, provjerite postoje li oštećenja i prije nego nastavite s radom obavite popravak eventualnog oštećenja. Šišač trave ne koristite ako je štitnik ili kalem polomljen.
- Ako oprema počne neuobičajeno vibrirati, zaustavite motor, iz šišača trave s reznom niti izvadite komplet baterija i odmah potražite uzrok. Vibracije u pravilu ukazuju na problem. Otpuštena glava može vibrirati, puknuti, polomiti se ili odvojiti se od šišača trave što može rezultirati teškim ili smrtonosnim ozljedama. Uvjerite se da je rezni priključak ispravno pričvršćen na svom mjestu. Ako se glava nakon pričvršćivanja otpusti, odmah je zamijenite. Šišač trave nikada ne koristite ako je rezni priključak otpušten.
- Puknutu, oštećenu ili istrošenu reznu glavu odmah zamijenite čak i ako je oštećenje ograničeno na površinske pukotine. Takvi priključci mogu se raspuknuti pri visokoj brzini i prouzročiti teške ili smrtonosne ozljede.
- Rezni priključak tijekom rada redovito provjeravajte u kratkim intervalima ili odmah ako uočite primjetnu promjenu u postupku rezanja.
- Koristite samo pribor za polimernu reznu žinju za šišač i rezne žinje za šišač koji su konstruirani za uporabu s ovim strojem. Čak i ako je na šišač s reznom žinjom proizvođača EGO™ moguće pričvrstiti neke neodobrene priključke, njihovo korištenje može biti vrlo opasno i/ili oštetiti alate.
- Radi smanjenja opasnosti od teških ozljeda nikada ne koristite žicu ili metalom ojačane niti ili drugi materijal umjesto najlonskih reznih niti. Komadi žice mogu se odlomiti i velikom brzinom odbaciti u smjeru rukovatelja ili promatrača.
- Radi smanjenja opasnosti od ozljeda uslijed gubitka kontrole, nikada ne radite na ljestvama ili na nekoj drugoj nesigurnoj podlozi. Rezni priključak nikada ne držite na visini iznad struka.
- Ako se pojave situacije koje nisu obuhvaćene ovim priručnikom, postupite oprezno i uz dobru procjenu. Za pomoć se obratite servisnom centru proizvođača EGO.
- Komplet baterija nemojte puniti na kiši ili mokrim mjestima.
- Koristite samo baterijske module i punjače proizvođača EGO.

BATERIJSKI MODUL	PUNJAČ
BA1120E, BA1400, BA2240E BA2800, BA3360, BA4200, BA1400T, BA2800T, BA4200T	CH2100E, CH5500E

- Prije odlaganja uređaja na otpad komplet baterija potrebno je izvaditi iz uređaja.
- Bateriju je potrebno zbrinuti na siguran način.
- Ne odlažite bateriju u vatru. Čelije mogu eksplodirati. Za upute o mogućem posebnom odlaganju obratite se lokalnim nadležnim tijelima.
- Ne otvarajte i ne razdvajajte bateriju. Oslobođeni elektrolit je korozivan i može oštetiti oči ili kožu. U slučaju gutanja može biti otrovan.
- Budite oprezni pri rukovanju baterijama kako biste izbjegli kratko spajanje baterije s vodljivim materijalima, kao što su prsteni, narukvice i ključevi. Baterija ili provodnik mogu se pregrijati i prouzročiti opekline.
- Pri servisiranju koristite samo identične zamjenske dijelove proizvođača EGO™. Korištenje drugog pribora ili priključka može povećati opasnost od ozljeda.
- Bateriajske alate nije potrebno uključivati u električnu utičnicu, stoga su uvijek u radnom stanju. Imajte na umu moguću opasnost čak i kada alat ne radi. Budite oprezni pri obavljanju radova održavanja ili servisiranja.
- Uređaj ne perite sa crijevom; izbjegavajte da voda dospjeje u motor i električne priključke

- Sačuvajte ove upute. Koristite upute često i koristite ih za upućivanje drugih osoba koje mogu koristiti ovaj alat. Ako ovaj alat nekom posudite, posudite i ove upute radi sprečavanja neispravnog korištenja proizvoda i mogućih ozljeda.
- Tijekom rukovanja strojem uvijek nosite čvrstu obuću i duge hlače.
- Uvijek osigurajte dobro uporište na nagibima i hodajte, nikada nemojte trčati.

## SACHUVAJTE OVE UPUTE.

## TEHNIČKI PODACI

Napon	56 V ---	
Brzina bez opterećenja	5000/6000 min <sup>-1</sup>	
Rezni mehanizam	Rezna glava	
Tip rezne žinje	Najlonska rezna nit 2,4mm	
Širina rezanja	38 cm	
Masa (bez kompleta baterija)	4,21Kg	
Izmjerena razina zvučne snage L <sub>WA</sub>	94,3 dB(A) K=1,37 dB(A)	
Razina zvučnog tlaka kod uha rukovatelja L <sub>PA</sub>	82,6 dB(A) K= 3 dB(A)	
Zajamčena razina zvučne snage L <sub>WA</sub> (u skladu s 2000/14/EZ)	96 dB(A)	
Vibracija a <sub>h</sub>	Stražnja drška	3,97 m/s <sup>2</sup> K=1,5 m/s <sup>2</sup>
	Prednji pomoćni rukohvat	2,78 m/s <sup>2</sup> K=1,5 m/s <sup>2</sup>

## POPIS ZA PAKIRANJE

NAZIV DIJELA	KOLIČINA
Šišač s reznom nit	1
Štitnik	1
Sklop prednjeg pomoćnog rukohvata	1
Imbus ključ	1
Višefunkcijski ključ	1
Traka za rame	1
Korisnički priručnik	1

## OPIS

### UPOZNAJTE SVOJ ŠIŠAČA SA ŽINJOM (sl. A)

1. Granični prsten
2. Okidač
3. Stražnja drška
4. Ulaz za zrak
5. Gumb za deblokadu
6. Sklopka visoke/niske brzine
7. Držač nosača naramenice
8. Prednja podesiva pomoćna drška
9. Traka za rame
10. Višefunkcijski ključ
11. Imbus ključ
12. Glava šišača trave (rezna glava)
13. Rezna nit
14. Otpusni jezičac
15. Nož za rezanjeE rezne niti
16. Štitnik
17. Mehanizam za izbacivanje
18. Električni kontakti
19. Zasun
20. Gumena zaštita
21. Gumb za oslobađanje baterije

## SKLOP

**⚠ UPOZORENJE:** Ako je bilo koji dio oštećen ili nedostaje, nemojte koristiti proizvod dok se ne zamijene dijelovi. Upotreba proizvoda na kojemu nedostaju dijelovi ili su oni oštećeni, možete dovesti do ozbiljne tjelesne ozljede.

**⚠ UPOZORENJE:** ANe pokušavajte obavljati preinake na ovom proizvodu ili izrađivati pribor koji nije preporučen za uporabu s ovim šišačem s reznom nit. Sve takve izmjene ili preinake predstavljaju nepropisno korištenje i mogu rezultirati opasnim stanjima koja mogu dovesti do mogućih teških tjelesnih ozljeda.

**⚠ UPOZORENJE:** Da biste spriječili slučajno pokretanje koje bi moglo prouzročiti ozbiljne tjelesne ozljede, prilikom priključivanja priključaka uvijek uklonite baterijski modul iz alata.

## POSTAVLJANJE ŠTITNIKA

**⚠ UPOZORENJE:** Pri postavljanju ili zamjeni štitnika uvijek nosite rukavice. Pazite da se ne porežete na nož te zaštitite ruke od ozljeda.

**⚠ UPOZORENJE:** Alat nikada ne koristite bez dobro pričvršćenog štitnika. Štitnik uvijek mora biti na alatu radi zaštite korisnika! Kada je štitnik učvršćen, nikada ne pokušavajte ukloniti ili namjestiti štitnik. Ako ga je potrebno zamijeniti, neka to obavi kvalificirani serviser!

1. Otpustite i uklonite dva vijka sa štitnika (sl. B).
2. Poravnajte otvore za postavljanje štitnika s otvorima za postavljanje a zatim pričvrstite štitnik na postolje osovine pomoću dva vijka i dvije elastične podloške (sl. C).

**OBAVIJEST:** Uvjerite se da je štitnik pričvršćen u skladu sa sl. B i C. Svako obrnuto pričvršćivanje izazvat će eliku opasnost!

## POSTAVLJANJE I PODEŠAVANJE PREDNJE POMOĆNE DRŠKE

1. Otpustite štap za fiksiranje na prednjem pomoćnom rukohvatu i uklonite štap za fiksiranje i krilnu maticu s prednjeg pomoćnog rukohvata (Sl. D).

Opis dijelova na Sl. D pogledajte u nastavku:

D-1	štap za blokiranje	D-3	Blok za stezanje
D-2	Prednji pomoćni rukohvat	D-4	Krilna matica

2. Gurnite prednji pomoćni rukohvat na vratilo (Sl. E).
3. Ubacite stezni blok u utor za dršku (Sl. F).
4. Montirajte štap za fiksiranje i stegnite ga krilnom maticom. Pazite da prednji pomoćni rukohvat bude gore i okrenut prema gornjem dijelu stražnje drške (Sl. G).
5. Prilagodite prednji pomoćni rukohvat između graničnog prstena i natpisa kako bi prednja ruka bila ispužena za vrijeme rada (Sl. H).
6. Fiksirajte polugu na štapu za fiksiranje. (Sl. I).

**OBAVIJEST:** Prednju pomoćnu dršku treba se okrenuti prema gore kako bi bila okrenuta prema vrhu drške.

**⚠ UPOZORENJE:** Prednju pomoćnu dršku učvrstite samo između graničnog prstena i naljepnice na osovini.

**⚠ UPOZORENJE:** Alat nije moguće koristiti bez čvrsto montiranog prednjeg pomoćnog rukohvata.

## POSTAVLJANJE TRAKE ZA RAME

Utisnite kuku za traku kako bi se otvorila i pričvrstite ju na držač nosača za naramenicu (Sl. J).

## UPOTREBA

**⚠ UPOZORENJE:** Nemojte biti nepažljivi jer ste upoznati s načinom rada proizvoda. Zapamtite da je samo jedan djelić sekunde nepažnje dovoljan za nastanak ozbiljne ozljede.

**⚠ UPOZORENJE:** Nosite zaštitne naočale ili sigurnosne naočale s bočnim štitnicima zajedno sa zaštitom za sluh. U protivnom može doći do odbacivanja predmeta u oči i drugih mogućih teških ozljeda.

**⚠ UPOZORENJE:** Nemojte koristiti nikakve priključke ili pribor koje nije preporučio proizvođača ovog proizvoda. Uporaba priključaka ili pribora koji nije preporučen može dovesti do ozbiljnih tjelesnih ozljeda.

**⚠ UPOZORENJE:** Radi sprečavanja teških tjelesnih ozljeda, prije servisiranja, čišćenja, promjene priključaka ili uklanjanja materijala iz jedinice izvadite baterijski modul iz alata.

Ovaj regenerator možete koristiti za svrhe navedene u nastavku:

**Šišanje:** koristi se za uklanjanje trave i korova oko zidova, ograda, stabala i pregrada.

**Košnja:** koristi se za košnju trave koju je teško dohvatiti pomoću normalne kosilice.

**OBAVIJEST:** alat se smije koristiti samo za prethodno opisanu namjenu. Svaka druga uporaba, kao što je primjerice rubno šišanje, smatra se nepropisnom uporabom.

## SPAJANJE/ODSPAJANJE BATERIJSKOG MODULA

### U potpunosti napunite prije prve uporabe

#### Spajanje

Poravnajte zupce baterije s utorima za postavljanje i pritišćite baterijski modul sve dok ne čujete "klik" (sl. K).

#### Odvajanje

Pritisnite gumb za odspajanje baterijskog modula i izvucite bateriju kako je prikazano na sl. L.

Opis dijelova na sl. L pogledajte u nastavku:

L-1	Gumb za oslobađanje baterije
-----	------------------------------

## DRŽANJE ŠIŠAČA SA ŽINJOM

**⚠ UPOZORENJE:** Obucite se propisno kako biste smanjili rizik od ozljeda tijekom rukovanja alatom. Ne nosite široku odjeću ili nakit. Nosite zaštitu za oči i uši/ sluh. Nosite čvrste duge hlače, čizme i rukavice za teške uvjete rada. Nemojte nositi kratke hlače, sandale ili biti bosonogi.

Prije rada, stanite u radni položaj i provjerite zaštitu očiju, odgovarajuću odjeću, uravnoteženost nogu, ravan položaj ruke koja drži prednju pomoćnu dršku.

**OBAVIJEST:** Glava šišača treba biti paralelna s tlom na odgovarajućoj reznoj udaljenosti, bez da se rukovatelj treba saginjati (sl. N).

Za siguran i bolji rad nosite traku za rame preko ramena, kao na slici N. Podesite traku za rame u udoban radni položaj. Držite šišač s reznom niti čvrsto objema rukama: Jednu ruku držite na stražnjoj dršci, a drugu ruku na prednjoj pomoćnoj dršci.

Potoje dva načina za otpuštanje trake. Skinite je izravno s ramena (sl. O) ili pritisnite kukicu trake i odvojite je od držača za montažu naramenice koji je montiran na vratilu (sl. P).

**⚠ UPOZORENJE:** Ramena traka je i mehanizam za brzo otpuštanje u opasnim situacijama. U slučaju nužde ramenu traku odmah skinite s ramena, bez obzira na koji način.

## POKRETANJE/ZAUSTAVLJANJE ŠIŠAČA S NITI (sl. M)

### Pokretanje

Pritisnite polugu za blokiranje i zatim pritisnite aktivator. Različiti pritisak na aktivator rezultira promjenjivom brzinom vrtnje rezne niti. Više pritiska, veća brzina.

### Zaustavljanje

Otpustite okidač.

**OBAVIJEST:** Motor radi samo kada su gumb za blokiranje i aktivator pritisnuti.

**⚠ UPOZORENJE:** Za vrijeme prekida rada i nakon završetka rada izvadite baterijski modul iz šišača.

### Funkcija za podešavanje brzine (Sl. M)

Šišač s reznom niti ima dvije brzine. Položaj „1“ je za nisku brzinu dok je položaj „2“ za visoku brzinu. Pritisnite ili povucite preklapku za visoku/nisku brzinu kako biste odabrali prikladnu brzinu rada.

Opis dijelova na sl. M pogledajte u nastavku:

M-1	Sklopka visoke/niske brzine
M-2	Gumb za deblokadu
M-3	Okidač

## UPORABA ŠIŠAČA SA ŽINJOM

**⚠ UPOZORENJE:** Kako biste izbjegli ozbiljne tjelesne ozljede, u svakom trenutku tijekom rada s ovim uređajem nosite zaštitne naočale ili sigurnosne naočale. U prašnjavim područjima nosite zaštitnu masku za lice ili masku za zaštitu od prašine.

Prije svake uporabe očistite radno područje. Uklonite sve predmete poput kamenja, razbijenog stakla, čavala, žica ili niti koje stroj može odbaciti ili koji se mogu zaplesti u rezni priključak. Iz područja udaljite djecu, promatrače i kućne ljubimce. Držite djecu, promatrače i kućne ljubimce udaljene najmanje 15 m; čak i tada postoji opasnost od odbačenih predmeta za promatrače. Promatrače je potrebno zamoliti da nose zaštitu za oči. Ako vam netko prilazi, odmah zaustavite motor i rezni priključak.

Prije svake uporabe provjerite oštećene/istrošene dijelove

Provjerite glavu šišača trave, štitnik i prednji pomoćni rukohvat i zamijenite dijelove koji su napukli, deformirani, svinuti ili oštećeni na bilo koji način.

Oštrica za rezanje rezne niti na rubu štitnika vremenom može otupjeti. Preporučujemo povremeno oštrenje oštrice turpijom ili zamjenu oštrice novom.

**⚠ UPOZORENJE:** Pri postavljanju ili zamjeni štitnika ili pri oštrenju ili zamjeni noža nosite rukavice. Pazite da se ne porežete na nož te zaštitite ruke od ozljeda.

### Šišač s reznom niti očistite nakon svake uporabe.

**⚠ OPREZ:** Prepreke u ventilacijskim otvorima sprječavaju da zrak struji u kucište motora što uzrokuje pregrijavanje ili oštećenje motora.

- Za čišćenje alata koristite samo blagi sapun i vlažnu krpu. Nikada nemojte dopustiti da tekućina uđe u alat; Nikada ne uranjajte nijedan dio alata u tekućinu.
- Držite ventilacijske otvore kucišta motora u svakom trenutku bez nečistoća.

**⚠ UPOZORENJE:** Za čišćenje vašeg šišača nikada ne koristite vodu. Pri čišćenju plastičnih dijelova izbjegavajte koristiti otapala. Većina plastike podložna je oštećenju različitih vrsta komercijalnih otapala. Za uklanjanje nečistoće, prašine, ulja, masti i sl. koristite čiste krpe.



## PODEŠAVANJE DULJINE REZNE NITI

Glava šišača trave rukovatelju omogućuje otpuštanje više rezne niti bez zaustavljanja motora. Ako se rezna nit pohaba ili istroši, laganim doticanjem glave šišača trave o tlo tijekom rukovanja šišačem trave moguće je otpustiti više niti (sl. Q).

**OBAVIJEST:** otpuštanje niti teže je kako se rezna nit skraćuje.

**⚠ UPOZORENJE:** Ne uklanjajte sklop rezne oštrice niti ili ne obavljajte preinake na njemu. Prekomjerna duljina niti prouzročit će pregrijavanje motora što može rezultirati teškim tjelesnim ozljedama.

## ZAMJENA REZNE NITI

**OBAVIJEST:** koristite preporučenu plastičnu reznu nit promjera ne većeg od 2,4 mm. Korištenje druge rezne niti može prouzročiti pregrijavanje ili oštećenje šišača trave.

**⚠ UPOZORENJE:** Nikada ne koristite metalom ojačane niti, žicu ili užu i sl. jer mogu se odlomiti i postati opasni projektili.

1. Uklonite baterijski modul.
2. Ako je potrebno, uklonite preostalu reznu nit.
3. Odrežite 4 m rezne niti i umetnite nit u otvor za postavljanje unutar ušice (sl. R). Provucite reznu nit i povlačite je s druge strane dok rezna nit ne bude iste duljine s obje strane kalema.
4. Pritisnite dok sklop donjeg poklopca okrećete u smjeru strelice kako biste reznu nit namotali na kolut tako da sa svake strane ostane oko 14 cm rezne niti (sl. S).
5. Gurajte sklop donjeg poklopca prema dolje pritom povlačeći reznu nit kako biste je ručno pomakli prema naprijed i provjerili ispravnu montažu glave šišača trave.

Ako se rezna nit otkine od izlaza niti ili ako se rezna nit ne otpusti lupkanjem glave šišača, slijedite korake u nastavku:

1. Pritisnite jezičce za oslobađanje na gornjem poklopcu i uklonite donji poklopac povlačeći ga ravno van (sl. T i U).
2. Uklonite reznu nit iz koluta.
3. Dok jednom rukom držite sklop donjeg poklopca, drugom rukom uhvatite sklop donjeg poklopca i poravnajte jezičke na gornjem poklopcu s rupama na sklopu donjeg poklopca (Sl. V). Dlanom pritišćite sklop donjeg poklopca dok se jezičci ne zahvate s gornjim poklopcem.

4. Za ponovno stavljanje rezne niti slijedite upute u poglavlju "ZAMJENA REZNE NITI".

## ODRŽAVANJE

**⚠ UPOZORENJE:** Pri servisiranju koristite samo identične zamjenske dijelove. Redovito obavljajte pregled i održavanje stroja. Radi osiguranja sigurnosti i pouzdanosti sve popravke treba obavljati kvalificirani servisni tehničar.

**⚠ UPOZORENJE:** Baterijske alate nije potrebno uključivati u električnu utičnicu, stoga su uvijek u radnom stanju. Da biste spriječili ozbiljne tjelesne ozljede, poduzmite dodatne mjere opreza i brige prilikom održavanja, servisiranja ili mijenjanja priključaka za rezanje ili drugih priključaka.

**⚠ UPOZORENJE:** Radi sprečavanja teških tjelesnih ozljeda, prije servisiranja, čišćenja, promjene priključaka ili uklanjanja materijala iz uređaja izvadite komplet baterija iz alata.

## ČIŠĆENJE UREĐAJA

- Jedinicu očistite vlažnom krpom i blagim deterdžentom.
- Za čišćenje plastičnog kućišta ili rukohvata ne koristite jake deterdžente jer mogu ih oštetiti neka aromatična ulja, kao što su borovo i limunovo ulje i otapala kao što je kerozin. Vлага može izazvati opasnost od strujnog udara. Vlažna mjesta obrišite mekanom suhom krpom.
- Za čišćenje ventilacijskih otvora na stražnjem kućištu koristite malu četku ili mali usisavač.

## PODMAZIVANJE PRIJENOSNIKA

Prijenosnike u kućištu potrebno je povremeno podmazivati mašću za prijenosnike. Razinu masti u kućištu prijenosnika provjeravajte svakih 50 radnih sati uklanjanjem brtvenog vijka na strani kućišta.

Ako se na bočnim stranama prijenosnika ne vidi mast, za punjenje s mašću za prijenosnike do 3/4 zapremine slijedite korake u nastavku. Prijenosnik nemojte puniti u cijelosti.

1. Držite šišač trave na njegovoj bočnoj strani tako da brtveni vijak bude usmjeren prema gore (sl. W).
2. Za otpuštanje i uklanjanje brtvenog vijka koristite isporučeni višefunkcijski ključ.
3. Za ubrizgavanje masti kroz otvor vijka koristite brizgaljku za mast (nije u sadržaju isporuke); ne prekoračujte 3/4 zapremine.

4. Brtveni vijak pritegnite nakon ubrizgavanja.

## SKLADIŠTENJE JEDINICE

- Ako ga ne koristite, uklonite baterijski modul iz šišača.
- Prije skladištenja temeljito očistite alat.
- Jedinicu skladištite na suhom, dobro prozračenom mjestu koje je moguće zaključati ili koje je na visini izvan dohvata djece. Uređaj nemojte pohranjivati na gnojivima, benzinu ili drugim kemikalijama ili u njihovoj blizini.

## Zaštita okoliša



Električnu opremu, punjač baterije i baterije/punjive baterije ne odlažite u otpad iz kućanstva! Prema Europskoj Direktivi 2012/19/EU o električnoj i elektroničkoj opremi koja više nije iskoristiva i prema Europskoj Direktivi 2006/66/EZ neispravne ili iskorištene kompletne baterija/baterije potrebno je sakupljati zasebno. Ako se električni uređaji odlažu na odlagališta otpada ili deponije, opasne tvari mogu iscurjeti u podzemne vode i dospjeti u lanac ishrane, oštećujući tako vaše zdravlje i blagostanje.

## OTKLANJANJE SMETNJI

PROBLEM	UZROK	RJEŠENJE
Šišač trave s reznom niti ne pokreće se.	<ul style="list-style-type: none"> <li>■ Baterijski modul nije postavljen na šišač.</li> <li>■ Nema električnog kontakta između šišača i baterije.</li> <li>■ Baterijski modul je ispražnjen.</li> <li>■ Gumb za deblokadu i okidač ne pritišću se istodobno.</li> </ul>	<ul style="list-style-type: none"> <li>■ Postavite baterijski modul na šišač.</li> <li>■ Izvadite bateriju, provjerite kontakte i ponovno stavite baterijski modul.</li> <li>■ Napunite baterijski modul.</li> <li>■ Pritisnite ručicu za blokadu i držite je pritisnutom, a zatim utisnite okidač kako biste uključili šišač trave s reznom niti.</li> </ul>
Šišač trave s reznom niti zaustavlja se tijekom rezanja.	<ul style="list-style-type: none"> <li>■ Štitnik nije postavljen na šišač trave, što rezultira predugačkom reznom niti i preopterećenjem motora.</li> <li>■ Koristi se teška rezna nit.</li> <li>■ Vratilo motora ili glavu šišača trave blokira trava.</li> <li>■ Motor je preopterećen.</li> <li>■ Baterijski modul ili šišač trave s reznom niti previše je vruć.</li> <li>■ Baterijski modul je odspojen s alata.</li> <li>■ Baterijski modul je ispražnjen.</li> </ul>	<ul style="list-style-type: none"> <li>■ Uklonite baterijski modul i na šišač trave postavite štitnik.</li> <li>■ Koristite preporučenu plastičnu reznu nit promjera ne većeg od 2,4 mm.</li> <li>■ Zaustavite šišač trave, izvadite bateriju i očistite travu s vratila motora i glave šišača trave.</li> <li>■ Uklonite glavu šišača s trave. Motor će se oporaviti i biti spreman za rad čim se ukloni opterećenje. Glavu šišača prilikom šišanja pomičite u travu i iz trave i jednim rezom ne uklanjajte više od 20 cm duljine.</li> <li>■ Pričekajte da se baterijski modul ili šišač trave ohladi na temperaturu ispod 67°C.</li> <li>■ Vratite baterijski modul.</li> <li>■ Napunite baterijski modul.</li> </ul>

PROBLEM	UZROK	RJEŠENJE
Glava šišača ne izvlači reznu nit.	<ul style="list-style-type: none"> <li>■ Vratilo motora ili glavu šišača trave blokira trava.</li> <li>■ Na kolutu nema dovoljno rezne niti.</li> <li>■ Glava šišača trave je zaprljana.</li> <li>■ Rezna nit zapetijala se u kolutu.</li> <li>■ Rezna nit je prekratka.</li> </ul>	<ul style="list-style-type: none"> <li>■ Zaustavite šišač trave, izvadite bateriju i očistite vratilo motora i glavu šišača trave.</li> <li>■ Izvadite bateriju i zamijenite reznu nit; slijedite upute u poglavlju "ZAMJENA REZNE NITI" u ovom priručniku.</li> <li>■ Izvadite bateriju i očistite glavu šišača.</li> <li>■ Izvadite bateriju, uklonite reznu nit iz glave šišača i ponovno je namotajte; slijedite upute u poglavlju "ZAMJENA REZNE NITI" u ovom priručniku.</li> <li>■ Uklonite bateriju i ručno povucite rezne niti dok izmjenično pritišćete i otpuštate glavu šišača trave.</li> </ul>
Trava se omotava oko glave šišača trave i kućišta motora.	<ul style="list-style-type: none"> <li>■ Visoka trava reže se od razine tla.</li> </ul>	<ul style="list-style-type: none"> <li>■ Visoku travu režite odozgo prema dolje i pritom ne režite više od 20 cm u svakom prolazu kako biste izbjegli omotavanje.</li> </ul>
Pukotine na glavi šišača trave ili na sklopu donjeg poklopca oslobađaju se s gornjeg poklopca.	<ul style="list-style-type: none"> <li>■ Glava šišača trave istrošena je.</li> </ul>	<ul style="list-style-type: none"> <li>■ Kod ovlaštenog servisera odmah dajte zamijeniti glavu šišača.</li> </ul>

## JAMSTVO

### JAMSTVENA POLITIKA PROIZVOĐAČA EGO

Cjelovite odredbe i uvjete jamstvene politike proizvođača EGO potražite na internetskoj stranici [egopowerplus.com](http://egopowerplus.com).

# სრულად გაეცანით ინსტრუქციას!



**გაეცანით მომხმარებლის ინსტრუქციას**

**⚠ არსებული რისკი!** პიროვნებებმა ისეთი ელექტრული მოწყობილობებით, როგორცაა იმპლანტირებული დეფიბრილატორი, უნდა მიმართონ პირად ექიმს რჩევისთვის ამ პროდუქტის გამოყენებამდე. იმპლანტირებულ დეფიბრილატორთან უშუალო სიახლოვეს ელექტრული მოწყობილობის ოპერირებამ შესაძლოა დეფიბრილატორს ხელი შეუშალოს მუშაობაში ან გათიშოს იგი.

**⚠ გაფრთხილება:** ხელსაწყოს უსაფრთხოდ და გამართულად მუშაობისთვის საჭიროა მისი ყველა შეკეთება და ნაწილის შეცვლა შესრულდეს კვალიფიციური სერვისის ტექნიკოსის მიერ.

## უსაფრთხოების წესის სიმბოლოები

უსაფრთხოების წესის სიმბოლოების მიზანია მიაქციოთ ყურადღება შესაძლო საფრთხეებს. ყურადღებით გაეცანით და შეისწავლეთ უსაფრთხოების წესის სიმბოლოები და მათი შესაბამისი განმარტებები. უსაფრთხოების წესის სიმბოლოების მინიმუმები თავისთავად არ ანეიტრალებს რაიმე საფრთხის არსებობის რისკს. მათ მიერ მოწოდებული ინსტრუქციები და გაფრთხილებები არ არიან შემთხვევის თავიდან აცილების სწორი პროცედურის შემცველები.

**⚠ გაფრთხილება:** ხელსაწყოს გამოყენებამდე დაწვრილებით გაეცანით და შეისწავლეთ ყველა უსაფრთხოების წესი მომხმარებლის ამ ინსტრუქციაში, მათ შორის ყველა უსაფრთხოების წესის სიმბოლო როგორცაა „სამიშროება“, „გაფრთხილება“ და „ყურადღება“. ქვემოთ ჩამოთვლილი ყველა ინსტრუქციის უზულებელყოფამ შესაძლოა გამოიწვიოს ელექტრული შოკი, ხანძარი და/ან მოგაყენოთ სერიოზული პირადი ზიანი.

## სიმბოლოების მნიშვნელობა

**უსაფრთხოების შეტყობინების სიმბოლო:** აღნიშნავს - „სამიშროება“, „გაფრთხილება“ ან „ყურადღება“. შესაძლოა გამოყენებულ იქნას სხვა სიმბოლოებთან ან პიქტოგრამებთან ერთად.



**⚠ გაფრთხილება:** ელექტრული ხელსაწყოს გამოყენებისას შესაძლოა უცხო სხეულის თვალის მიდამოში მოხვედრა, რამაც შესაძლოა გამოიწვიოს თვალის მნიშვნელოვანი დაზიანება.

ელექტრული ხელსაწყოს გამოყენებამდე აუცილებლად მორგეთ უსაფრთხოების თვალსაფარი ან სათვალე მყარი თვალის დამცავებით და მთლიანი სახის ეკრანით. ჩვენ რეკომენდაციას ვუწვევთ ფართო ხედვის არის მქონე უსაფრთხოების ნიღაბს სათვალეებთან ერთად ან სტანდარტულ გვერდითა ეკრანების მქონე უსაფრთხოების სათვალეებს.

## უსაფრთხოების წესის ინსტრუქცია

ეს გვერდი აჩვენებს და აღწერს იმ უსაფრთხოების წესის სიმბოლოებს, რომლებიც შესაძლოა აღბეჭდილია მოცემულ პროდუქტზე. წაიკითხეთ, შეისწავლეთ და მიყევით ხელსაწყოს ყველა ინსტრუქციას მის აწყობამდე და ჩართვამდე.

	უსაფრთხოების ნიშანი	აღნიშნავს შესაძლო პირადი ზიანის საფრთხეს.
	გაეცანით მომხმარებლის ინსტრუქციას	დაზიანების რისკის შესამცირებლად მომხმარებელმა უნდა წაიკითხოს და გაეცნოს ხელსაწყოს მუშაობის ინსტრუქციას მის გამოყენებამდე.
	გაიკეთეთ თვალების დამცავი	ყოველთვის გაიკეთეთ ყურების დამცავი ხელსაწყოთი სარგებლობისას.
	გაიკეთეთ ყურების დამცავი	ყოველთვის გაიკეთეთ ყურების დამცავი ხელსაწყოთი სარგებლობისას.
	სათიბი დანის დამაგრება აკრძალულია	არ დაუყენოთ ლითონის ან პლასტმასის საჭრელი დანა
	მორიდეთ სხვა ადამიანები	დარწმუნდით რომ სხვა ადამიანები ან შინაური ცხოველები იმყოფებიან მინიმუმ 15 მ მოშორებით ელექტრო მთიბავით სარგებლობისას.
	მორიდეთ სხვა ადამიანები	დარწმუნდით რომ სხვა ადამიანები ან შინაური ცხოველები იმყოფებიან მინიმუმ 15 მ მოშორებით ელექტრო მთიბავით სარგებლობისას.
	ხმაური	ზგერის წნევის დონე
	წყალგამძლეობის დაცვის დონე	დაცვა წყლის მცირე ოდენობით გადასხმის შემთხვევაში
V	ვოლტი	ძაბვა

mm	მილიმეტრი	სიგრძე ან ზომა
cm	სანტიმეტრი	სიგრძე ან ზომა
	მუდმივი დენი	დენის ტიპი ან სახე
$n_b$	დაუტვირთავი სიჩქარე	დაუტვირთავი ბრუნვის სიჩქარე
$\text{min}^{-1}$	წუთში	ბრუნთა რიცხვი წუთში

### მნიშვნელოვანი უსაფრთხოების ინსტრუქციები

**⚠ გაფრთხილება!** ელექტრო მთიბავის გამოყენებისას ძირითადი უსაფრთხოების გამაფრთხილებელი ზომები ყოველთვის უნდა შესრულდეს, რათა შემცირდეს ხანძრის, ელექტრული შოკის და პირადი ზიანის რისკი, მათ შორის:

#### სრულად გაეცანით ინსტრუქციას

**⚠ საფრთხე!** არ მიენდოთ ხელსაწყოს იზოალციას ელექტრული შოკისგან დაცვის მიზნით. დენის დარტყმის რისკის შემცირების მიზნით არასოდეს გამოიყენოთ ხელსაწყო ნებმიერი გაყვანილობის ან კაბელების სიახლოვეს, რომელთაც შესაძლოა გადაჰქონდეთ ელექტრული დენი.

**⚠ ყურადღება:** გაიკეთეთ შესაბამისი სმენის დამცავი საშუალებები ხელსაწყოთი სარგებლობისას. ხელსაწყოთი გარვეულ პირობებში და განმავლობაში სარგებლობამ შესაძლოა ხელი შეუწყოს სმენის დაქვეითებას.

#### ტრენინგი

- ყურადღებით წაიკითხეთ ინსტრუქციები. შეისწავლეთ ხელსაწყოს კონტროლის დილაკები და მათი მართებული გამოყენების გზა.
- არასდროს მისცეთ ხელსაწყოს გამოყენების უფლება მისით სარგებლობის არმცოდნე პირებს ან ბავშვებს. ადგილობრივმა კანონმდებლობამ შესაძლოა შეზღუდოს ხელსაწყოს მომხმარებლის ასაკი.

- გაითვალისწინეთ რომ ოპერატორი ან მომხმარებელი პასუხისმგებელია იმ შემთხვევებზე ან საფრთხეებზე რაც შესაძლოა წარმოიქმნას სხვა პირებს ან მათ ქონებას.

### მომზადება

- არასოდეს გამოიყენოთ ხელსაწყო თუ სხვა პირები, განსაკუთრებით ბავშვები ან შინაური ცხოველები არიან ახლოს.
- ყოველთვის გამოიყენეთ თვალის დამცავი საშუალებები და მყარი ფეხსაცმელი ხელსაწყოთი სარგებლობისას.
- ხელსაწყოსა და სხვა პირებს შორის დისტანცია უნდა იყოს მინიმუმ 15 მეტრი.
- არ გამოიყენოთ ლითონის საჭრელი დანები.

### გამოყენება

- ხელსაწყოთი სარგებლობა ნებადართულია მხოლოდ დღის სინათლეზე ან კარგი ხელოვნური განათების პირობებში.
- არასოდეს გამოიყენოთ ხელსაწყო დაზიანებული დამცავებით ან ეკრანებით, ან დამცავებისა და ეკრანების გარეშე.
- მოტორი ჩართეთ მხოლოდ მაშინ, როდესაც ხელები და ფეხები მოშორებულია მთიბავ ნაწილებს.
- ყოველთვის გამოორთეთ ხელსაწყო დენის წყაროდან (ანუ გამოორთეთ შტეტესელიდან ან გათიშეთ ჩამორთველი).
- როდესაც სტოვებთ ხელსაწყოს ყურადღების გარეშე;
- გაჭედილი ობიექტებისაგან სათიბის გაწმენდამდე;
- ხელსაწყოს შემოწმებამდე, გაწმენდამდე ან ჩართვამდე;
- უცხო ობიექტზე შეჯახების შემდეგ;
- როდესაც მანქანა იწყებს უჩვეულო ვიბრაციას.
- დიდცავით ხელები და ფეხები მთიბავი ნაწილებისგან გამოწვეული დაზიანებისაგან.
- ყოველთვის დარწმუნდით რომ საჭეროები ნარჩენებისგან ცარიელია.

### ექსპლუატაცია და შენახვა

- ყოველთვის გამოორთეთ ხელსაწყო დენის წყაროდან (ანუ გამოორთეთ შტეტესელიდან ან გათიშეთ ჩამორთველი) ხელსაწყოს შეკეთებამდე ან გაწმენდამდე.
- გამოიყენეთ მხოლოდ მწარმოებლის მიერ რეკომენდირებული ნაწილები ან აქსესუარები.
- გაუკეთეთ ხელსაწყოს რეგულარული შემოწმება და ინსპექტირება. ხელსაწყოს შეკეთება მინადეთ მხოლოდ ავტორიზირებულ ხელსაწყოს.
- შეინახეთ ხელსაწყო ბავშვებისთვის მიუწვდომელ ადგილას.

### სხვა უსაფრთხოების გაფრთხილებები

- მოერიდეთ საშიშ გარემო პირობებს - არ გამოიყენოთ სათიბი ნესტიან ან სველ პირობებში.
- ყოველთვის გათიშეთ ელექტრული სათიბი ან მოხსენით აკუმულატორი, როდესაც ტოვებთ ხელსაწყოს ყურადღების გარეშე.
- არ გამოიყენოთ წვიმის დროს.
- მოარიდეთ ბავშვებს - ყველა გარეშე პირი უნდა იმყოფებოდეს სამუშაო არედან გარკვეულ დისტანციასზე.
- ჩაიცვით შესაბამისად - არ გამოიყენოთ განიერი, ფრიალა ტანსაცმელი და ძვირფასეულობა. ისინი შესაძლოა ჩაითრიოს ხელსაწყოს მოძრავმა ნაწილებმა. რეკომენდირებულია რეზინის ხელთათმანების და დახურული ფეხსაცმელის გამოყენება გარეთ მუშაობისას. გამოიყენეთ თმის დამცავი ბადე გრძელი თმის ქონის შემთხვევაში.
- გამოიყენეთ უსაფრთხოების სათვალეები - ყოველთვის მოირგეთ უსაფრთხოების სათვალე ხელსაწყოთი სარგებლობისას.
- გამოიყენეთ ხელსაწყო დანიშნულებისამებრ - არ გამოიყენოთ ხელსაწყო ისეთი სამუშაოსთვის, რომლისთვისაც იგი არაა განკუთვნილი.

- არ დაატანოთ ძალა ელექტრო მთიბავს - დიზაინიდან გამომდინარე იგი თავდავე წინარად შესარულეს სამუშაოს და შეამცირობს პირადი ზიანის მიყენების რისკს.
- არ გადაიხაროთ - ყოველთვის დაიცავით ბალანსი და მყარად იდევით ფეხზე.
- იხავით ფხიზლად - ყურადღება მიაქციეთ რას აკეთებთ. იმოქმედეთ საღი აზრის გათვალისწინებით. არ ამუშაოთ სათიბი, როდესაც დაღლილი ბრძანდებით.
- არ ამუშაოთ სათიბი, როდესაც იმყოფებით მედიკამენტების ან ალკოჰოლის ზემოქმედების ქვეშ.
- დამცავი ეკრანები იქონიეთ ხელსაწყოზე შესაბამის ადგილას და მუშა მდგომარეობაში.
- შეინახეთ ელექტრო სათიბი შენობაში - როდესაც არ ხდება მისი გამოყენება, სათიბი უნდა იყოს შენახული შენობაში მშრალ და მაღალ დაკეტილ სათავსოში, მოხსნილი აკუმულატორით - ბავშვებისგან მიუწვდომელ ადგილას.
- იზრუნეთ თქვენს ხელსაწყოზე - გაწმინდეთ მთიბავი ნაწილი, რათა გააუმჯობესოთ მისი მუშაობა და შეამციროთ ზიანის მიყენების რისკი. მისდით დამტენი მოწყობილობის ინსტრუქციებს. იქონიეთ სახელურები მშრალ და სუფთა, მათ შორის ცხიმისა და ზეთისგან, მდგომარეობაში.
- შეამოწმეთ დაზიანებული ნაწილები - სათიბის გამოყენებამდე დამცავი ეკრანი ან სხვა ნაწილი, რომელიც დაზიანებულია საყურადღებოდ უნდა შემოწმდეს, რათა დადგინდეს შეუძლია თუ არა მას თავისი ფუნქციის ჯეროვნად შესრულება. შეამოწმეთ მოძრავი ნაწილების მდებარეობა, მათი შეკავშირება, დაშორება, დამაგრება და სხვა მდგომარეობა, რომელმაც შეიძლება გავლენა იქონიოს ხელსაწყოზე მუშაობაზე. ეკრანის ან სხვა დაზიანებული ნაწილის შეკეთება ან შეცვლა უნდა შესრულდეს ავტორიზირებული სერვისის ცენტრის მიერ, გარდა იმ შემთხვევების რომელიც აღწერილია ინსტრუქციაში.
- გაასუფთავეთ გასათიბი არე მუშაობის დაწყებამდე. მოაცილეთ ყველა ობიექტი სამუშაო არეს როგორცაა ქვეში, დამტვრეული მინა, ლურსმანი, სადენი ან ბაწარი, რომელიც შესაძლოა ჩაიყოლოს ან დაეხვის მთიბავ ნაწილს. დარწმუნდით რომ სხვა პირები და შინაური ცხოველები იმყოფებიან მინიმუმ 15 მ მოშორებით.
- ხელსაწყოს გამოყენებამდე ან ნებისმიერი შეჯახების შემდეგ, გასინჯეთ ცვეთის ან დაზიანების ნიშნები და შეაკეთეთ საჭიროებისდაგვარად.
- ყოველთვის მყარად გეჭიროთ მთიბავი მისით სარგებლობისას, ორივე ხელით სახელურებზე. შემოაჭდეთ თითები და ცერები სახელურებს.
- მოერიდეთ შემთხვევით ჩართვას - არ ატაროთ მთიბავი ტრიგერზე მოთავსებული თითით.
- არ ისარგებლოთ მთიბავით ბენზინის ან სხვა ფეთქებადი საშუალებების არსებობის ზონაში. მსგავს ხელსაწყოებში არსებული მოტორები იძლევიან ნაპერწკალს, რომელმაც შესაძლოა აანთოს ფეთქებადი აირები.
- მთიბავის დაზიანება - თუ სათიბით დაეჯახებით უცხო სხეულს ან იგი გაიხლართება, დაუყონობლივ გათიშეთ ხელსაწყო, მოხსენით სათიბს აკუმულატორი, შეამოწმეთ დაზიანება და შეაკეთებინეთ ის, სანამ გააგრძელებთ მისით სარგებლობას. არ ამუშაოთ ხელსაწყო დაზიანებული ეკრანით ან კოჭით.
- თუ ხელსაწყო დაიწყებს უჩვეულო ვიბრაციას, გათიშეთ მოტორი, მოხსენით აკუმულატორი და შეამოწმეთ ვიბრაციის მიზეზი. ვიბრაცია როგორც წესი არის დაზიანების მომასწავლებელი. მოყანყალეული თავი შესაძლოა ვიბრირებდეს, გაიზაროს ან მოსძვრეს მთიბავს, რამაც შესაძლოა გამოიწვიოს სერიოზული ან ფატალური ზიანი. დარწმუნდით რომ მთიბავი ნაწილი არის სათანადოდ დამაგრებული სწორ პოზიციაში. თუ თავი მორიყევა საკუთარ ადგილზე დამაგრების შემდეგ,



დაუყოვნებლივ გამოიკვალეთ ეს ნაწილი. არასოდეს გამოიყენოთ ხელსაწყო მორყეულად დამაგრებული მთიბავი ნაწილით.

- გამოცვლეთ გაბზარული, დაზიანებული ან გაცვეთილი თავი დაუყოვნებლივ, მიუხედავად იმისა რამდენად ზედაპირული შეიძლება სჩანდეს ზზარები. მსგავსი ნაწილები შესაძლოა დაიმსხვრეს მაღალ ბრუნებზე და მოგაყენოთ სერიოზული ან ფატალური ზიანი.
- შეამოწმეთ მთიბავი ნაწილი რეგულარული მცირე ინტერვალებით ხელსაწყოთი სარგებლობისას, ან დაუყოვნებლივ, თუ წარმოიქმნა მნიშვნელოვანი ცვლილება თიბვის პროცესის განმავლობაში.
- გამოიყენეთ მხოლოდ EGO™ მიერ დაშვებული სათიბის პოლიმერული მასალის ნაწილები და სათიბის ნაწილები, რომლებიც განკუთვნილია ამ ხელსაწყოთვის. თუმცა ზოგიერთი არადასაშვები ნაწილები შესაძლოა მიუდგეს EGO™ ელექტრულ სათიბს, მათი გამოყენება საკმაოდ საშიშია და/ან დამაზიანებელია ხელსაწყოთვის.
- სერიოზული ზიანის რისკის შესამცირებლად არასოდეს გამოიყენოთ მავთული ან სხვა მეტალის ჩანართიანი ზონარი ან სხვა ტიპის ზონარი ნეილონის მთიბავი ტუის მავივრად. მავთულის ნაწილები შესაძლოა გატყდეს და გაიტყორცნოს მაღალი სიჩქარით მომხმარებლისა ან გვერდზე მდგომი პირებისკენ.
- კონტროლის დაკარგვისას ზიანის რისკის შესამცირებლად, არასოდეს აშუშაოთ ხელსაწყო კიბზე ან სხვა არამყარი საყრდენის მქონე ობიექტზე დგომისას. არასოდეს დაიჭიროთ ხელსაწყოთი მთიბავი ნაწილი წელს ზევით.
- თუ ისეთი სიტუაცია შეიქმნა, რომელიც არაა აღწერილი ინსტრუქციაში, გამოიყენეთ სადი აზრი და მიიღეთ ფრთხილი გადაწყვეტილებები. მიმართეთ EGO-ს მომსახურების ცენტრს დახმარებისთვის.

- არ დატენოთ აკუმულატორი წვიმაში ან სველ არეში.
- გამოიყენეთ მხოლოდ EGO-ს აკუმულატორის ნაკრები და დამტენები.

აკუმულატორი	დამტენი მოწყობილობა
BA1120E, BA1400, BA2240E, BA2800, BA3360, BA4200, BA1400T, BA2800T, BA4200T	CH2100E, CH5500E

- აკუმულატორი უნდა ამოვიღოთ ხელსაწყოდან მის უტილიზაციამდე.
- აკუმულატორის უტილიზაცია უნდა მოხდეს უსაფრთხოების წესის შესაბამისად.
- არ ჩააგდოთ აკუმულატორი ცეცხლში. აკუმულატორის ელემენტები შესაძლოა აფეთქდეს. მიმართეთ თქვენს ადგილობრივ ხელისუფლებას წარმოამდგენლებს აკუმულატორის უტილიზაციის უსაფრთხო გზების შესახებ.
- არ გახსნათ ან დაჭრათ აკუმულატორი. აკუმულატორიდან გამოდენილი ელექტროლიტი არის კოროზიული და შესაძლოა გამოიწვიოს თვალების ან კანის დაზიანება. ელექტროლიტი ტოქსიურია გადაყლაპვის დროს.
- დაიცავით ფრთხილი მოპყრობის წესი აკუმულატორის გამოყენებისას, რათა შემთხვევით არ დაამოკლოთ იგი გამტარი საგნებით როგორცაა ბეჭდები, სამაჯურები და გასაღებები. აკუმულატორი ან გამტარი შესაძლოა გახურდეს და გამოიწვიოს დამწვრობა.
- ტექნიკური სერვისისას გამოიყენეთ მხოლოდ EGO™ იდენტური სათადარიგო ნაწილები. სხვა ნებისმიერი ნაწილის გამოყენებამ შესაძლოა გაზარდოს ზიანის მიყენების რისკი.
- აკუმულატორიანი ელექტრული ხელსაწყოების ქსელში შეერთება არ არის აუცილებელი; ისინი ყოველთვის მუშა მდგომარეობაში არიან. გაითვალისწინეთ

შესაძლო საფრთხეები მაშინაც კი როცა ხელსაწყო არ არის გამოყენებაში. გამოიჩინეთ სიფრთხილე როდესაც ახდენთ ხელსაწყოს შეკეთებას ან ტექნიკურ სერვისს.

- არ გარეცხოთ ხელსაწყო წყლის მილით; მოერიდეთ მოტორში და ელექტრულ შეერთებებში წყლის მოხვედრას.
- შეინახეთ ეს მომხმარებლის ინსტრუქცია. გამოიყენეთ მომხმარებლის ინსტრუქცია და მიუთითეთ სხვებს, ვისაც სურს ხელსაწყოს გამოყენება, გაეცნონ მას. თუ ათხოვებთ ხელსაწყოს სხვა პირს, ასევე ათხოვთ მას ეს მომხმარებლის ინსტრუქცია, რათა აღკვეთოთ ხელსაწყოს არასათანადო გამოყენება და შესაძლო ზიანი.
- ყოველთვის გეცვათ დახურული ფეხსაცმელი და გრძელი შარვალი ხელსაწყოთი სარგებლობისას.
- ყოველთვის დაწმუნდით თქვენს მყარ საყრდენზე ბეჭობზე ხელსაწყოს გამოყენებისას, და ასევე არასოდეს ირბინოთ, მხოლოდ იარეთ სათიბით სარგებლობისას.

### შეინახეთ ეს მომხმარებლის ინსტრუქცია!

## სპეციფიკაცია

ძაბვა	56 ვოლტი ---	
დაუტვირთავი ბრუნვის სიჩქარე	5000/6000 ბრ/წთ	
მთიბავი მექანიზმი	მთიბავის თავაკი	
მთიბავი ძუის ტიპი	2.4 მმ სისქის ნეილონის დაგრებილი ძუა	
თიბვის სიგანე	38 სმ	
წონა (აკუმულატორის გარეშე)	4.21 კგ	
გაზომილი ხმის სიმძლავრის დონე $L_{WA}$	94.3 dB(A) K=1.37 dB(A)	
ბგერის წნევის დონე მომხმარებლის ყურზე $L_{PA}$	82.6 dB(A) K=3 dB(A)	
გარანტირებული ხმის სიმძლავრის დონე $L_{WA}$ (2000/14/EC რეგულაციის მიხედვით)	96(A)	
ვიბრაცია $a_h$	უკანა სახელური	3.97 მ/წმ <sup>2</sup> K=1.5 მ/წმ <sup>2</sup>
	რეგულირებადი წინა სა-ხელური	2.78 მ/წმ <sup>2</sup> K=1.5 მ/წმ <sup>2</sup>

## შეფუთვის ჩამონათვალი

ნაწილის დასახელება	რაოდენობა
ელექტრო სათიბი	1
დამცავი ეკრანი	1
სახელურის კომპლექტი	1
ქანჩის გასაღები	1
მრავალფუნქციური ქანჩის გასაღები	1
მხარზე ჩამოსაკიდი ღვედი	1
მომხმარებლის ინსტრუქცია	1

# აღწერა

**შეისწავლეთ თქვენი ელექტრო სათიბი (ნახ. A)**

1. გასამიჯნი რგოლი
2. ტრიგერი
3. უკანა სახელური
4. ჰაერის ჰავლის შესავალი
5. ჩამკეტი ღილაკი
6. მაღალი/დაბალი სიჩქარის გადამრთველი
7. მხარზე ჩამოსაკიდი ღვედის სამაგრი
8. რეგულირებადი წინა სახელური
9. მხარზე ჩამოსაკიდი ღვედი
10. მრავალფუნქციური ქანჩის გასაღები
11. ქანჩის გასაღები
12. სათიბის თავაკი
13. სათიბი ძუა
14. გამშვები ღილაკი
15. ძუის საჭრელი დანა
16. დამცავი ეკრანი
17. ამოგდების მექანიზმი
18. ელექტრული კონტაქტები
19. ჩამკეტი
20. დამცავი რეზინის შუასაღები
21. აკუმულატორის მოხსნის ღილაკი

# ანცობა

**⚠ გაფრთხილება:** თუ რომელიმე ნაწილი დაზიანებულია ან დაკარგულია, არ ისარგებლოთ ხელსაწყოთი სანამ ყველა ნაწილი არ შეიცვლება. ხელსაწყოთი სარგებლობას დაზიანებული ან დანაკლისი ნაწილებით შესაძლოა მოჰყვეს სერიოზული პირადი ზიანი.

**⚠ გაფრთხილება:** არ სცადოთ ხელსაწყოს გადაკეთება ან ისეთი ნაწილების გამოყენება, რომლებიც არაა რეკომენდირებული ამ ელექტრო სათიბისთვის. ნებისმიერი მსგავსი ცვლილება ან მოდიფიკაცია არის ხელსაწყოს არასათანადო გამოყენება

და შესაძლოა წარმოქმნას სახიფათო მდგომარეობა, რომელმაც შეიძლება გამოიწვიოს სერიოზული პირადი ზიანი.

**⚠ გაფრთხილება:** უცაბედი ჩართვის გამოსარიცხად, რომელმაც შესაძლოა გამოიწვიოს სერიოზული პერსონალური ზიანი, ყოველთვის მოხსენით აკუმულატორი ხელსაწყოს, როდესაც ხდება მისი აწყობა.

## დამცავი ეკრანის დამონტაჟება

**⚠ გაფრთხილება:** ყოველთვის გამოიყენეთ ხელთათმანები, როდესაც ამონტაჟებთ ან ცვლით დამცავ ეკრანს. ფრთხილად მოეპყარით დანას ეკრანზე და დაიცავით ხელი გაჭრისგან.

**⚠ გაფრთხილება:** არ გამოიყენოთ ხელსაწყო მჭიდროდ დამაგრებული დამცავი ეკრანის გარეშე. დამცავი ეკრანი ყოველთვის უნდა იყოს დამაგრებული ხელსაწყოზე, რათა დაიცვას მომხმარებელი! არ შეეცადოთ მოხსნათ ან შეასწოროთ დამცავი ეკრანის პოზიცია, თუ საჭიროა მისი შეცვლა, მიმართეთ კვალიფიციურ სერვისის ტექნიკოსს!

1. მოუშვით და მოხსენით ორი ხრახნი დამცავ ეკრანს (ნახ. B).
2. გაუსწორეთ დამცავი ეკრანის ნასვრეტები ხრახნების ბუდეებს და მჭიდროდ დაამაგრეთ ეკრანი სახელურზე ორი ხრახნის და შუასაღების საშუალებით (ნახ. C).

**შენიშვნა:** დარწმუნდით რომ დამცავი ეკრანი დამაგრებულია, როგორც ნაჩვენებია ნახ. B და C-ზე, ნებისმიერი სხვაგვარი დამაგრება არის სახიფათო!

## წინა სახელურის დამაგრება და გასწორება

1. მოუშვით წინა სახელურზე მდებარე ჩამკეტი ძელი და მოხსენით ძელი და ფრთიანი ქანჩი სახელურს (ნახ. D).

ნახ. D ნაჩვენებია ნაწილების აღწერა მოცემულია ქვევით:

D-1	ჩამკეტი ძელი	D-3	დამჭერი ბლოკი
-----	--------------	-----	---------------

D-2	რეგულირებადი წინა სახელური	D-4	ფრთიანი ქანჩი
-----	----------------------------	-----	---------------

2. მთავრით წინა სახელური ხელსაწყოს ტარს (ნახ. E).
3. ჩასვით დამჭერი ბლოკი სახელურის ნასვრეტში (ნახ. F).
4. დაამაგრეთ ჩამკეტი ძელი და დაუჭირეთ ფრთიანი ქანჩის საშუალებით. დარწმუნდით რომ წინა სახელური არის მოტრიალებული ზედა მხარეს და დამიზნებულია უკანა სახელურის ზვევითა ნაწილისკენ (ნახ. G).
5. გაასწორეთ წინა სახელურის მდებარეობა გასამიჯნ რგოლსა და ეტიკეტს შორის, რათა დარწმუნდეთ რომ მკლავი არის სწორ მდგომარეობაში ხელსაწყოთი სარგებლობისას (ნახ. H).
6. დაამაგრეთ ჩამკეტი ძელის ბერკეტი. (ნახ. I).

**შენიშვნა:** რეგულირებადი წინა სახელური უნდა მოტრიალდეს ზვევითა მხარეს, რათა დაემიზნოს უკანა სახელურის ზედა ნაწილს.

**▲ გაფრთხილება:** რეგულირებადი წინა სახელური დაამაგრეთ მხოლოდ გასამიჯნ რგოლსა და ტარზე არსებულ ეტიკეტს შორის.

**▲ გაფრთხილება:** ხელსაწყოს გამოყენება დაუშვებელია რეგულირებადი წინა სახელურის მჭიდროდ დაამაგრების გარეშე.

**მხარზე ჩამოსაკიდი ღვედის დამაგრება**  
დააჭირეთ ხელი ღვედის კაუჭს და ჩამოაგვით მხარზე ჩამოსაკიდი ღვედის სამაგრს (ნახ. J).

## ექსპლუატაცია

**▲ გაფრთხილება:** შეეცადეთ მსგავსი პროდუქტის გამოყენების გამოცდილებამ არ გამოიწვიოს თქვენი უფულისყურობა. დაიმასხვრეთ რომ უფულისყურობამ წამის მეათედშიც კი შესაძლოა მოგიტანოთ სერიოზული ზიანი.

**▲ გაფრთხილება:** ყოველთვის მოირგეთ უსაფრთხოების თვალსაფარი ან გვერდითა ეკრანების მქონე უსაფრთხოების სათვალე, სმენის დამცავი საშუალებასთან ერთად. ამ ინსტრუქციის უფულებელყოფამ შესაძლოა გამოიწვიოს სხვადასხვა სხეულის თვალში მოხვედრა და სხვა შესაძლო სერიოზული ზიანი.

**▲ გაფრთხილება:** არ გამოიყენოთ სხვა ნებისმიერი ნაწილი, რომელიც არაა რეკომენდირებული ამ ხელსაწყოს მწარმოებლის მიერ. არარეკომენდირებული ნაწილის გამოყენებამ შესაძლოა მოგაყენოთ სერიოზული ზიანი.

**▲ გაფრთხილება:** სერიოზული პერსონალური ზიანისგან თავის არიდების მიზნით მოხსენით აკუმულატორი ხელსაწყოს ტექნიკური სერვისის, გაწმენდის, მიმაგრების შეცვლის ან ნარჩენი ნივთიერების მოცილების დროს.

თქვენ შეგიძლიათ გამოიყენოთ ხელსაწყო ქვემოთ ჩამოთვლილი მიზნებისთვის:

**გაკრეჭა:** გამოიყენება ბალახის და სარეველას მოსაცილებლად კედლის, ღობის, ხის და საზღვრების გასწვრივ.

**მოთიბვა:** გამოიყენება ისეთი ბალახის მოსათიბად, რომელიც რთულადაა მისადგომი ჩვეულებრივი სათიბი მანქანისთვის.

**შენიშვნა:** ხელსაწყოს გამოყენება შესაძლებელია მხოლოდ დანიშნულებისამებრ. სხვა ნებისმიერი სარგებლობა, მაგალითად ზუჩქის გაკრეჭა, ჩაითვლება როგორც არამიზნობრივი გამოყენების შემთხვევა.

### აკუმულატორის ჩამაგრება/მოსხნა

**სრულად დატენეთ პირველ ჯერზე სარგებლობამდე.**

### ჩამაგრებისთვის

გაუსწორეთ აკუმულატორის სამაგრები ბუდის ნასვრეტებს და დააწიეთ აკუმულატორს, სანამ არ გაიგებთ „წკაპ“ ხმას (ნახ. K).

### მოსხნისთვის

დააჭირეთ აკუმულატორის გამშვებ დილაკს და ამოიღეთ აკუმულატორი როგორც ნაჩვენებია ნახ. L-ზე.

ნახ. L ნაჩვენები ნაწილების აღწერა მოცემულია ქვევით:

L-1	აკუმულატორის მოხსნის დილაკი
-----	-----------------------------

### ელექტრო სათიბის ჭერის წესი

**▲ გაფრთხილება:** ჩაიცვით შესაბამისად, რათა შეამციროთ დაზიანების რისკი ხელსაწყოთი სარგებლობისას. არ ჩაიცვათ განიერი, ფრიალა ტანსაცმელი და ძვირფასეულობა. მოირგეთ თვალის და თვალის/სმენის დამცავი საშუალებები. ჩაიცვით სამუშაო გრძელი შარვალი, დახურული ფეხსაცმელი და ხელთათმანები. დაუშვებელია გეცვათ მოკლე შორტი, სანდლები ან იაროთ ფეხმიშველმა.

ხელსაწყოს გამოყენებამდე მოეწყვეთ სამუშაო პოზიციაში და შეამოწმეთ თვალის დამცავი საშუალებები, შესაბამისი ტანსაცმელი, საყრდენის ბალანსი, წინ ნახელურზე ჩაჭიდებული მკლავის სისწორე.

**შენიშვნა:** სათიბი თავაკი უნდა იყოს მიწის ზედაპირის პარალელური სათანადო მანძილზე დამორებით, მოხმარების გადახრის გარეშე (ნახ. N).

უსაფრთხო და უკეთესი მოხმარებისთვის, გადაიკიდეთ ჩამოსაკიდი ღვედი მხარზე როგორც ნაჩვენებია ნახ. N. დაარეგულირეთ ღვედი კომფორტული სამუშაო პოზიციისთვის. მჭიდროდ დაიჭირეთ ელექტრო სათიბი ორივე ხელით. მოათავსეთ ერთი ხელი უკან სახელურზე, ხოლო მეორე ხელი - წინ სახელურზე.

ღვედის შეხსნის ორი გზა არსებობს: პირდაპირ მოიხსნით იგი მხრებიდან (ნახ. O) ან დააჭირეთ ხელი ღვედის კაუჭს და მოხსენით იგი ხელსაწყოს ტარზე მოთავსებულ სამაგარს (ნახ. P).

**▲ გაფრთხილება:** მხრის ღვედი ასევე წარმოადგენს ხელსაწყოს სწრაფად მოხსნის საშუალებას სახიფათო სიტუაციაში. როდესაც ხდება გაუთვალისწინებელი შემთხვევა, მაშინვე მოიხსენით ღვედი მხრიდან, მიუხედავად იმისა თუ რომელ მხარზე მდებარეობს იგი.

### ელექტრო სათიბის ჩართვა/გამორთვა (ნახ. M)

#### ჩასართავად

დააწეეთ ჩამკვეტ ბერკეტს, შემდეგ დააჭირეთ თითი ტრიგერს. ტრიგერზე დაწოლის სიძლიერე განსაზღვრავს სათიბი ძუის ბრუნვის სიჩქარეს. მეტი დაწოლა ნიშნავს მაღალ სიჩქარეს.

#### გამოსართველად

ხელი გაუშვით ტრიგერს.

**შენიშვნა:** მოტორი მუშაობს მხოლოდ მაშინ, როცა ორივე, ჩამკვეტი დილაკი და ტრიგერი დაჭერილ მდგომარეობაშია.

**▲ გაფრთხილება:** ყოველთვის მოხსენით აკუმულატორი ხელსაწყოს შესვენებისას ან სამუშაოს დამთავრებისთანავე.

### სიჩქარის რეგულირების ფუნქცია (ნახ. M)

ელექტრო სათიბს აქვს ორი სიჩქარის რეჟიმი. პოზიცია „1“ არის დაბალი სიჩქარისთვის და პოზიცია „2“ - მაღალი სიჩქარისთვის. დააჭირეთ ან მოქაჩეთ მაღალი/დაბალი სიჩქარის გადამრთველი, რათა აირჩიოთ შესაბამისი სიჩქარე მუშაობისას.

ნახ. M ნაჩვენები ნაწილების აღწერა მოცემულია ქვევით:

M-1	მაღალი/დაბალი სიჩქარის გადამრთველი
M-2	ჩამკვეტი დილაკი
M-3	ტრიგერი

### ელექტრო სათიბის გამოყენების წესი

**▲ გაფრთხილება:** სერიოზული პერსონალური ზიანისგან თავის არიდების მიზნით ყოველთვის მოირგეთ

უსაფრთხოების თვალსაფარი ან სათვალე ხელსაწყოთი სარგებლობისას. გამოიყენეთ სახის ნიღაბი ან მტვრის საწინააღმდეგო ნიღაბი მტვრიან ადგილას მუშაობისას.

გაასუფთავეთ გასათიბი არე მუშაობის დაწყებამდე. მოაცილეთ ყველა ობიექტი როგორცაა ქვები, დამტვრეული მინა, ლურსმანი, სადენი ან ბაწარი, რომელიც შესაძლოა ჩაყვას ან დაეხვიოს ხელსაწყოს მთიბავ ნაწილს. მოარიდეთ სამუშაო ადგილს ბავშვები, სხვა პირები და შინაური ცხოველები. დარწმუნდით რომ ბავშვები, სხვა ადამიანები ან შინაური ცხოველები იმყოფებიან მინიმუმ 15 მ მოშორებით; არსებობს რისკი რომ უცხო სხეულები მაღალი სიჩქარით გვერდზე მდგომი პირებისკენ გაიტყორცნონ. გვერდზე მდგარი პირებისთვის რეკომენდირებულია თვალის დამცავი საშუალებების გამოყენება. თუ თქვენ სხვა პიროვნება მოგიახლოვდათ, დაუყოვნებლივ გააჩერეთ მოტორი და სათიბი მოწყობილობა.

### ყოველი გამოყენების წინ შეამოწმეთ ნაწილები დაზიანებაზე/ცვეთაზე

შეამოწმეთ სათიბის თავაკი, დამცავი ეკრანი და რეგულირებადი წინა სახელური, შეეცალეთ ნაწილები, რომლებიც გაზარულია, გაღუნულია, აქვს შეცვლილი ფორმა ან დაზიანებულია სხვაგვარად.

დამცავ ეკრანის კიდესთან მდებარე მთიბავის დანა შესაძლოა დაჩლუნგდეს დროთა განმავლობაში რეკომენდირებულია მისი გაღესვა პერიოდულად ქლიბის საშუალებით ან ახალი დანის დამონტაჟებამ.

**⚠ გაფრთხილება:** ყოველთვის გამოიყენეთ ხელთათმანები, როდესაც ამონტაჟებთ დამცავ ეკრანს ან უტარებთ სერვისს დანას. ფრთხილად მოეპყრით დანას ეკრანზე და დაიცავით ხელი გაჭრისგან.

### ყოველი გამოყენების შემდეგ გაასუფთავეთ სათიბი.

**⚠ ყურადღება:** საჭაერობის დახშობა ხელს უშლის ჰაერის შედინებას მოტორში და გამოიწვევს მის გადახურებას და დაზიანებას.

- გამოიყენეთ მხოლოდ რბილი საპონი და ნოტიო ქსოვილი ხელსაწყოს გასაწმენდად. არასდროს დააშუგათ ხელსაწყოში სითხის შეღწევა; არასდროს მოათავსოთ ხელსაწყოს რაიმე ნაწილი სითხეში.
- ყოველთვის გაათავისუფლეთ მოტორის საჭაეროები ნარჩენებისგან.

**⚠ გაფრთხილება:** არასდროს გამოიყენოთ წყალი თქვენი ხელსაწყოს გასაწმენდად. მოერიდეთ გამხსნელების გამოყენებას ხელსაწყოს პლასტმასის ნაწილების გაწმენდისას. უმეტესობა პლასტმასები ზიანდება მათზე გამხსნელების გამოყენების შედეგად. გამოიყენეთ სუფთა ტილო ტალახის, მტვრის, ზეთის, ცხიმის და სხვ. მოსაცილებლად.

### სათიბი ძუის სიგრძის ცვლილება

სათიბის თავაკი აძლევს მომხმარებელს საშუალებას გაზარდოს სათიბის ძუის სიგრძე მოტორის გაუჩერებლად. როდესაც ძუა იცვითება და წყდება, დამატებითი ძუის სიგრძის გამოშვება შესაძლებელია სათიბის თავაკის მიწაზე რბილი დარტყმით ხელსაწყოთი სარგებლობისას (ნახ. Q).

**შენიშვნა:** ძუის გამოშვება მით უფრო გართულდება, რაც ხვიაზე მისი სიგრძე მოკლდება.

**⚠ გაფრთხილება:** რ მოხსნათ ან შეეცალოთ ძუის საჭრელი დანის კონსტრუქციას. საჭრელი ძუის დიდი სიგრძე გამოიწვევს მოტორის გადახურებას, რამაც შესაძლოა მოგაყენოთ სერიოზული ზიანი.

### ძუის გამოცვლა

**შენიშვნა:** ყოველთვის გამოიყენეთ რეკომენდირებული ნეილონის სათიბი ძუა, რომლის დიამეტრი არ აღემატება 2.4 მმ-ს. სხვა ტიპის ძუის გამოყენებამ შესაძლოა გამოიწვიოს სათიბის გადახურება და დაზიანება.

**▲ გაფრთხილება:** არასოდეს გამოიყენოთ მავთული, სხვა მეტალის ჩანართიანი ზონარი ან თოკი და სხვ. ესენი შესაძლოა გაწყდეს და წარმოქმნას სახიფათო გამოტყორცნილი სხეულები.

1. მოხსენით აკუმულატორი.
2. მოხსენით დარჩენილი ძუა საჭიროების შემთხვევაში.
3. მოჭერით 4 მ სიგრძის სათიბი ძუა და ჩასვით იგი ხვრელში არსებულ სამაგრ სიდრულეში (ნახ. R). შეიყვანეთ და ამოქაჩეთ ძუა მეორე მხრიდან, სანამ კოჭის ორივე მხარეს თანაბარი რაოდენობის ძუა არ გამოჩნდება.
4. დააჭირეთ და დაატრიალეთ ქვედა ხუფი ისრის მიმართულებით, რათა დაახვიოთ ძუა კოჭაზე სანამ დაახლოებით 14 სმ სიგრძის ძუა არ გამოჩნდება ორივე მხარეს (ნახ. S).
5. დააჭირეთ ქვედა ხუფს დაბლა ძუაზე მოქაჩვისას, რათა მანუალურად გამოწიოთ ძუა და შეამოწმოთ სათიბის თავაკის ჯეროვანი აწყობა.

როდესაც მჭრელი ძუა წყდება და სათიბის თავაკზე დაჭერით ძუა არ გამოდის, მიყევით შემდეგ ინსტრუქციებს:

1. დააჭირეთ კოჭის ფუძეზე არსებულ გამშვებ დილაკებს და მოხსენით ქვედა ხუფი ამოქაჩვით (ნახ. T და U).
2. მოხსენით ძუა კოჭას.
3. ერთი ხელით დაიჭირეთ ზედა ხუფი, ხოლო მეორეთი - ქვედა ხუფი და გაუსწორეთ ზედა ხუფზე არსებული გმშვები დილაკები ქვედა ხუფზე არსებულ ნასვრეტებს (ნახ. V); დააჭირეთ ხელისგულით ქვედა ხუფს სანამ დილაკები არ ჩაჯდება ზედა ხუფში.
4. მიყევით ინსტრუქციებს სექციაში „ძუის გამოცვლა“, რათა ხელახლა დაახვიოთ ძუა.

## ექსპლუატაცია

**▲ გაფრთხილება:** ტექნიკური სერვისისას გამოიყენეთ მხოლოდ იდენტური სათადარიგო ნაწილები. გაუკეთეთ ხელსაწყოს რეგულარული შემოწმება და ინსპექტირება. ხელსაწყოს უსაფრთხოდ და გამართულად მუშაობისთვის საჭიროა მისი ყველა შეკეთება და ნაწილის შეცვლა შესრულდეს კვალიფიციური სერვისის ტექნიკოსის მიერ.

**▲ გაფრთხილება:** აკუმულატორიანი ელექტრული ხელსაწყოების ქსელში შეერთება არ არის აუცილებელი; ისინი ყოველთვის მუშა მდგომარეობაში არიან. სერიოზული პერსონალური ზიანისგან თავის არიდების მიზნით მიიღეთ დამატებითი ზომები და გამოიჩინეთ სიფრთხილე შეკეთებისას, სერვისის ან სათიბი და სხვა ნაწილების შეცვლისას.

**▲ გაფრთხილება:** სერიოზული პერსონალური ზიანისგან თავის არიდების მიზნით მოხსენით აკუმულატორი ხელსაწყოს ტექნიკური სერვისის, გაწმენდის, ნაწილების შეცვლის ან ნარჩენი ნივთიერების მოცილების დროს.

### ხელსაწყოს განმნდის წესი

- გაწმინდეთ ხელსაწყო ნოტიო ქსოვილით და რბილი სარეცხი საშუალებით.
- არ გამოიყენოთ ძლიერი გამწმენდი საშუალებები პლასტმასის ბუდეზე ან სახელურზე. ისინი შესაძლოა დაზიანდეს ისეთი არომატუბიზატორებით, როგორცაა ნაძვის ან ლიმონის ზეთი, ან ნავთის ტიპის გამხსნელი საშუალებებით. სინესტემ ასევე შეიძლება შექმნას ელექტრული შოკის საფრთხე. რბილი, მშრალი ქსოვილით მოწმინდეთ ხელსაწყოს ნებისმიერი ნესტი.
- გამოიყენეთ მცირე ფუნჯი ან პატარა მტვერსასრუტის ჰაერის ჭავლი რათა გაწმინდოთ ხელსაწყოს საჰაეროები ბუდის უკანა მხარეს.

## გადაცემათა კოლოფის კბილანების შეგებება

გადაცემათა კოლოფში არსებული კბილანები საჭიროებენ პერიოდულ შეზუთვას სპეციალური საპოხით. შემომწმეთ გადაცემათა კოლოფის შეზუთვის დონე ექსპლუატაციის ყოველ 50 საათთან პერიოდში კოლოფის გვერდითა მხარეს მოთავსებული დამლუქავი ხრახნის მოხსნით.

თუ კბილანების გვერდებზე საპოხი მასალა არ სჩანს, მიყევით ქვემოთ მოცემულ ინსტრუქციას და შეავსეთ გადაცემათა კოლოფის სივრცე 3/4-ზე საპოხი მასალით. ბოლომდე არ გაავსოთ გადაცემათა კოლოფი.

1. დაიჭირეთ ელექტრო სათიბი გვედულად იმგვარად რომ დამლუქავი ხრახნი აღმოჩნდეს ზედა მხარეს (ნახ. W).
2. გამოიყენეთ არსებული მრავალფუნქციური ქანჩის გასადები, რათა მოუშვათ და მოხსნათ დამლუქავი ხრახნი.
3. გამოიყენეთ ზეთის შპრიცი (არ არის კომპლექტში), რათა შეიყვანოთ საპოხი მასალა ხრახნის ნასვრეტში; არ გადააჭარბოთ მოცულობის 3/4-ზე მეტს.
4. საპოხის შეყვანის შემდეგ დაუჭირეთ დამლუქავი ხრახნი.

## ხელსაწყოების შენახვის წესი

- მოხსენით აკუმულატორი ელექტრო სათიბს გამოყენების შემდეგ.
- საფუძვლიანად გაწმინდეთ ხელსაწყო შენახვამდე.
- შეინახეთ ხელსაწყო მშრალ, კარგად განიავებად ადგილას ჩაკეტილი და მაღალ სათავსოში, ბავშვებისთვის მიუწვდომელ ადგილას. არ შეინახოთ ხელსაწყო სასუქის, ბენზინის და სხვა ქიმიური ნივთიერებების სიახლოვეს.

## გარემოს დაცვა



ელექტრული ხელსაწყოების უტილიზაცია არ უნდა მოხდეს არასორტირებულ მუნიციპალურ ნარჩენებთან ერთად, გამოიყენეთ სპეციალური ჩაბარების პუნქტები.

მიმართეთ ადგილობრივი თვითმმართველობის ორგანოებს, რათა მოიძიოთ ინფორმაცია ნარჩენების უტილიზაციის სისტემებთან დაკავშირებით.

ელექტრული მოწყობილობების ნაგავსაყრელებზე მოთავსებისას, სახიფათო ნარჩენები შესაძლოა გაიჟონოს გრუნტის წყლებში და მოხვდეს საკვებ ჯაჭვში, რამაც შესაძლოა დააზიანოს თქვენი ჯანმრთელობა და კეთილდღეობა.



## გაუმართაობის დიაგნოსტიკა

პრობლემა	მიზეზი	გადაჭრის გზა
სათიბი არ ირთვება.	<ul style="list-style-type: none"> <li>აკუმულატორი არ არის შეერთებული სათიბზე.</li> <li>სათიბსა და აკუმულატორს შორის არ არის ელექტრული კონტაქტი.</li> <li>აკუმულატორი დაცლილია.</li> <li>ჩამკეტი დილაკი და ტრიგერი ერთდროულად არაა აქტივირებული.</li> </ul>	<ul style="list-style-type: none"> <li>მიუერთეთ აკუმულატორი სათიბს.</li> <li>მოხსენით აკუმულატორი, შეამოწმეთ კონტაქტები და კვლავ მოათავსეთ იგი უკან.</li> <li>დატენეთ აკუმულატორი.</li> <li>დააჭირეთ ჩამკეტ დილაკს და გააჩერეთ ამ მდგომარეობაში, შემდეგ დააჭირეთ თითო ტრიგერს რათა ჩართოთ სათიბი.</li> </ul>
სათიბი ითიშება მუშაობის პროცესში.	<ul style="list-style-type: none"> <li>დამცავი ეკრანი არაა დამონტაჟებული სათიბზე, რის გამოც სათიბი ძუა არის უზომოდ გრძელი და მოტორი იტვირთება.</li> <li>მიმზე სათიბი ძუა არის გამოყენებული.</li> <li>მოტორის ტარი ან სათიბის თავი ზალახშია გახლართული.</li> <li>მოტორი არის გადატვირთული.</li> <li>აკუმულატორი ან სათიბი ზედმეტად გაცხელებულია.</li> <li>აკუმულატორი მოხსნილია ხელსაწყოდან.</li> <li>აკუმულატორი დაცლილია.</li> </ul>	<ul style="list-style-type: none"> <li>მოხსენით აკუმულატორი და დაამონტაჟეთ დამცავი ეკრანი სათიბზე.</li> <li>გამოიყენეთ რეკომენდირებული ნიელონის სათიბი ძუა, არაუმეტეს 2.4 მმ დიამეტრის სისქით.</li> <li>გამორთეთ სათიბი, მოხსენით აკუმულატორი, მოაცილეთ ზალახი მოტორის სახელურს და სათიბის თავაკს.</li> <li>მოაცილეთ სათიბის თავაკი ზალახს, მოტორი გააგრძელებს ჩვეულ მოშაობას როგორც კი დატვირთვა მოიხსნება. თიბვის პროცესში ჩაწით და ამოწით სათიბის თავაკი ზალახიდან და არ მოჭრათ 20 სმ-ზე მეტი სიგრძის ზალახი ერთ ჯერზე.</li> <li>აცალეთ სათიბს ან აკუმულატორს გაგრილება 67°C-ის ქვევით.</li> <li>ხელახლა ჩასვით აკუმულატორი.</li> <li>დატენეთ აკუმულატორი.</li> </ul>

პრობლემა	მიზეზი	გადაჭრის გზა
სათიბის თავაკი არ უშვებს ძუას.	<ul style="list-style-type: none"> <li>■ მოტორის ტარი ან სათიბის თავი ბალახშია გახლართული.</li> <li>■ კოჭაზე არასაკმარისი ოდენობის ძუა არის დარჩენილი.</li> <li>■ სათიბის თავაკი ჭუჭყიანია.</li> <li>■ ძუა გახლართულია კოჭაში.</li> <li>■ ძუა საკმარისზე მოკლეა.</li> </ul>	<ul style="list-style-type: none"> <li>■ გამორთეთ სათიბი, მოხსენით აკუმულატორი, გაწმინდეთ მოტორის ლილვი და სათიბის თავაკი.</li> <li>■ მოხსენით აკუმულატორი და შეცვალეთ სათიბი ძუა; მიჰყევით ინსტრუქციაში მოცემულ სექციას „ძუის გამოცვლა“.</li> <li>■ მოხსენით აკუმულატორი ელექტრო სათიბს და გაწმინდეთ ხელსაწყო სათიბი.</li> <li>■ მოხსენით აკუმულატორი, მოხსენით, გაშალეთ და ხელახლა დაახვიეთ სათიბი ძუა ხელსაწყოს თავს; მიჰყევით ინსტრუქციაში მოცემულ სექციას „ძუის გამოცვლა“.</li> <li>■ მოხსენით აკუმულატორი და მოქაჩეთ ძუის წვერებზე ხელით, თან შიგადაშიგ დააწეეთ და აუშვით ხელი სათიბის თავაკს.</li> </ul>
ბალახი ეხვევა სათიბის თავაკს და მოტორის ბუდეს.	<ul style="list-style-type: none"> <li>■ მაღალი ბალახის ჭრა ძირში.</li> </ul>	<ul style="list-style-type: none"> <li>■ მოჭერით მაღალი ბალახი წვეროდან დაბლა, არ მოჭრათ 20 სმ-ზე მეტი სიგრძის ბალახი ერთ ჯერზე, რათა აარიდოთ თავი ბალახის დახვევას.</li> </ul>
ბზარები სათიბის თავაკზე ან ქვედა ხუფზე, რომელიც ძვრება ზედა ხუფთან ერთად.	<ul style="list-style-type: none"> <li>■ სათიბის თავაკი გაცვეთილია.</li> </ul>	<ul style="list-style-type: none"> <li>■ გამოცვალეთ სათიბი თავაკი დაუყონებლოდ, შეაცვლევინეთ კვალიფიციურ სერვისის ტექნიკოსს.</li> </ul>

## გარანტია

### EGO-ს გარანტიის მომსახურების წესი

გთხოვთ ეწვიოთ ვებ-გვერდს [egopowerplus.com](http://egopowerplus.com), რათა მიიღოთ EGO-ს საგარანტო მომსახურების სრული დადგენილებები და პირობები.



